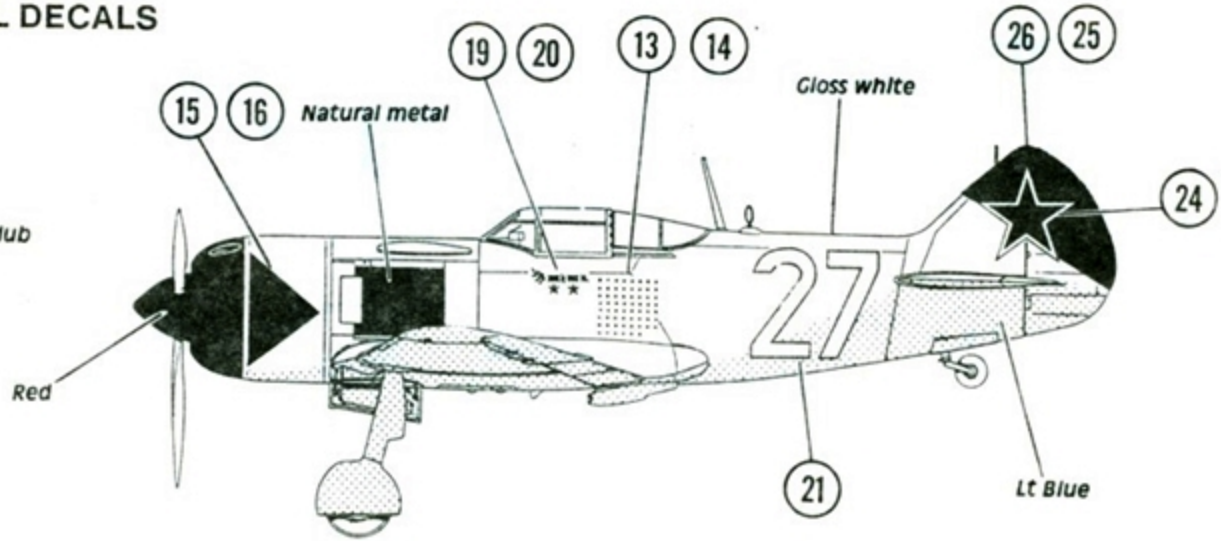




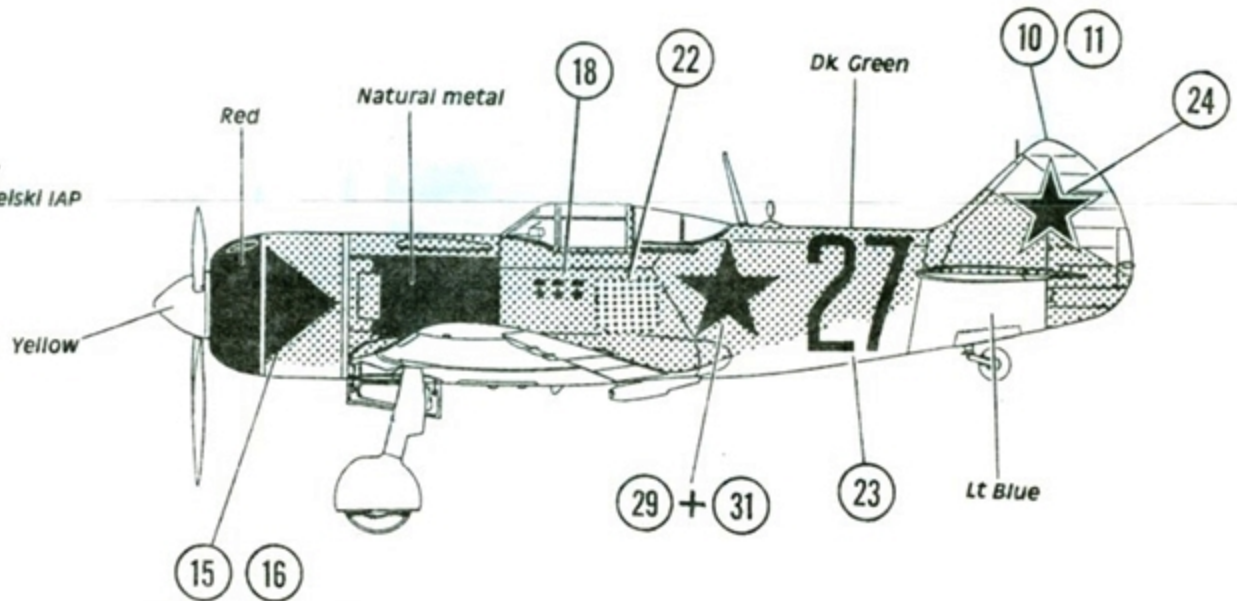
**SuperScale Decal No. 48-428**  
**Lavochkin La-5FN & La-7**  
**Popkov & Kozhedub**

**SCALE MODEL DECALS**

*Lag-7 Flown by Ivan Kozhedub while serving with the 176 Gv IAP Winter, 1944-45*



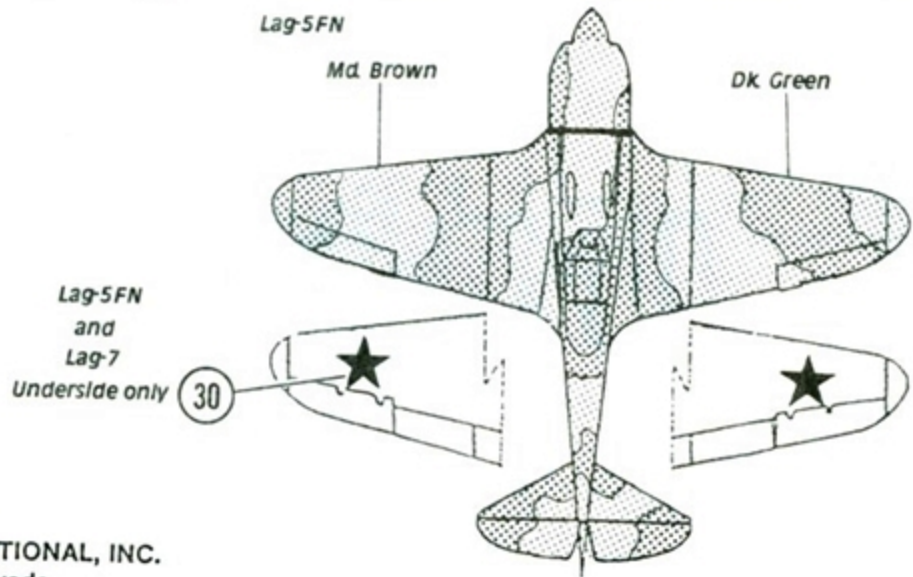
*Lag-7 Last plane flown by Ivan Kozhedub, 176 Gvardelski IAP Spring 1945*



**Published References;**  
**Flying Colors**

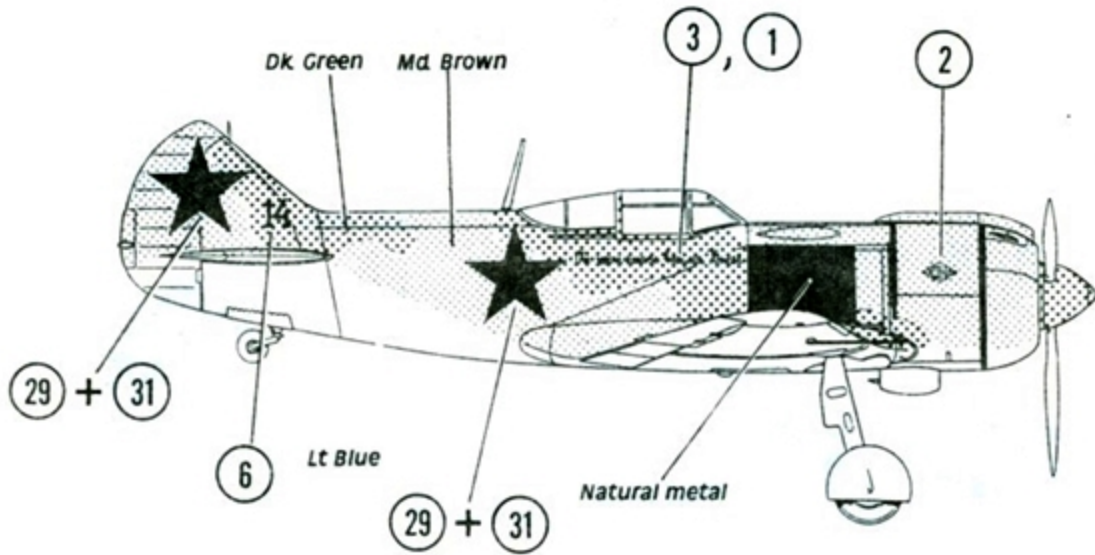
*Squadron Signal Publications*  
*Koku Fan March 1984*  
*Koku Fan October 1976*

- Dk Gray FS 36231*
- Md Gray FS 36375*
- Lt Blue FS 35550*
- Dk Green FS 34097*
- Md Brown FS 30117*

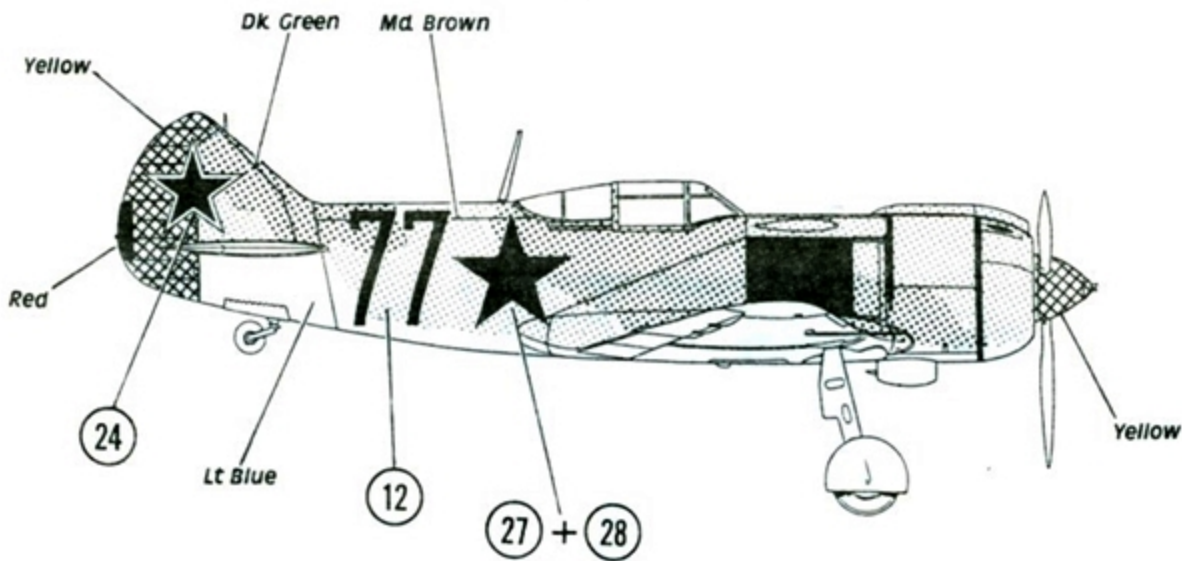


Mfg. by  
**SUPER SCALE INTERNATIONAL, INC.**  
 Carson City, Nevada

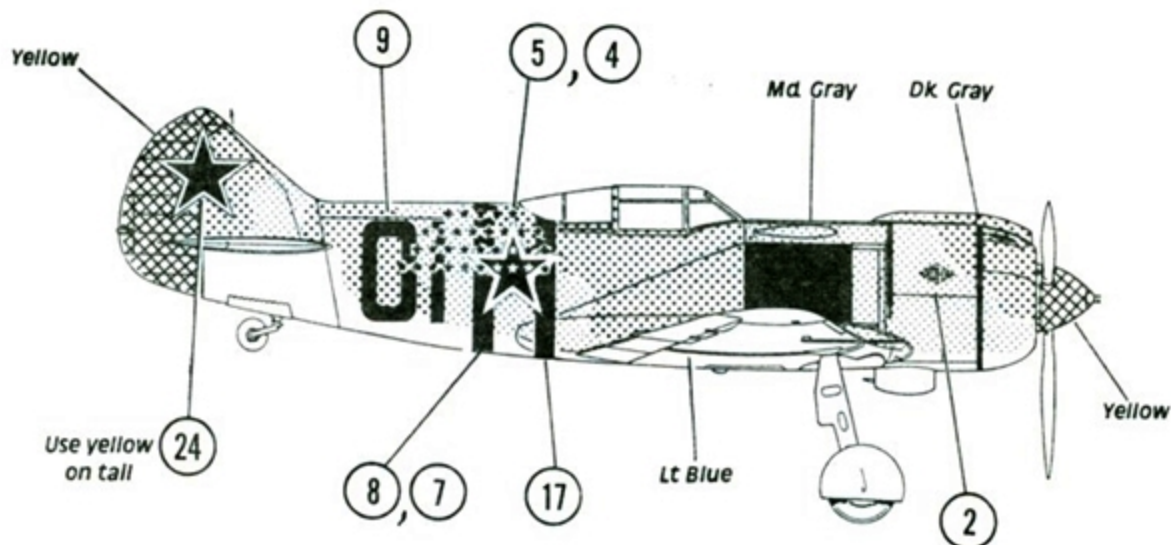
Mfg. by  
**SUPER SCALE INTERNATIONAL, INC.**  
 Carson City, Nevada



*Lag-5FN Flown by the  
 top scoring Soviet Ace  
 Ivan Kozhedub, May 1944  
 While serving with the 240 IAP*



*Lag-5FN Pilot Unknown  
 Moscow-Kubinka area, 1943*



*Lag-5FN Flown by  
 2nd Lt Vladimir I. Popkov  
 5 Gv IAP, 1944*