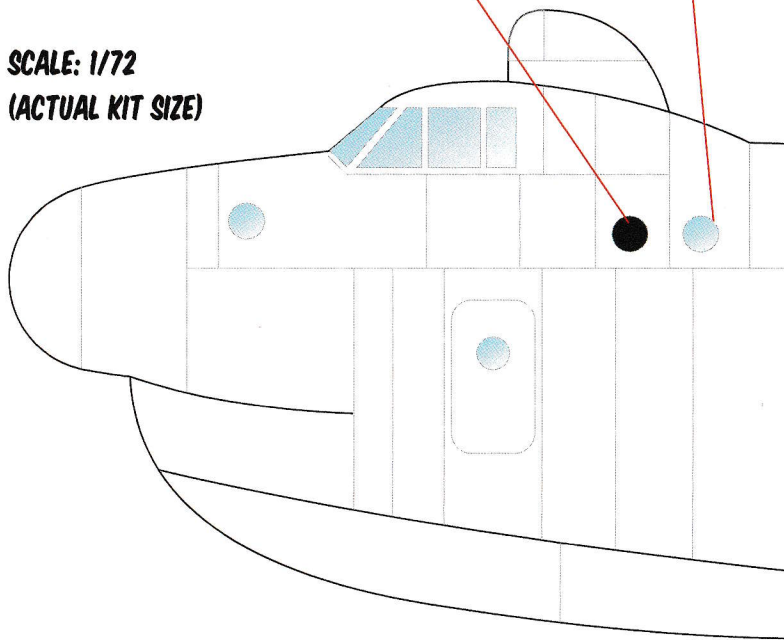


FOR BEST RESULTS, WE RECOMMEND CORRECTING THE LOCATION OF THE PORTHOLE (WINDOW) ON BOTH SIDES OF THE FRONT FUSELAGE OF THE HASEGAWA KIT. IF YOU DO NOT MAKE THIS CORRECTION, CORRECT PLACEMENT OF THE US NATIONAL INSIGNIA WILL NOT BE POSSIBLE.

KIT WINDOW
CORRECT WINDOW LOCATION

SCALE: 1/72
(ACTUAL KIT SIZE)

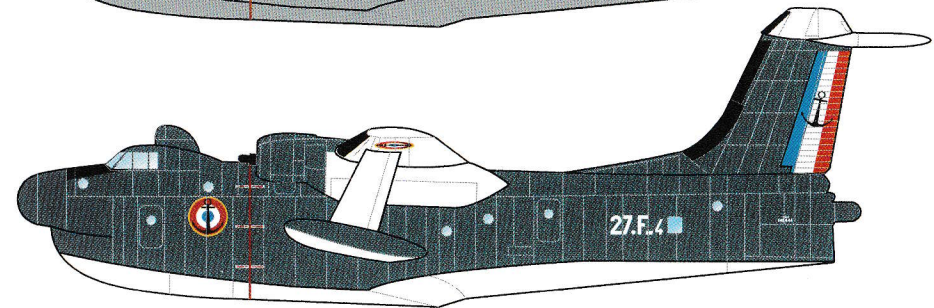
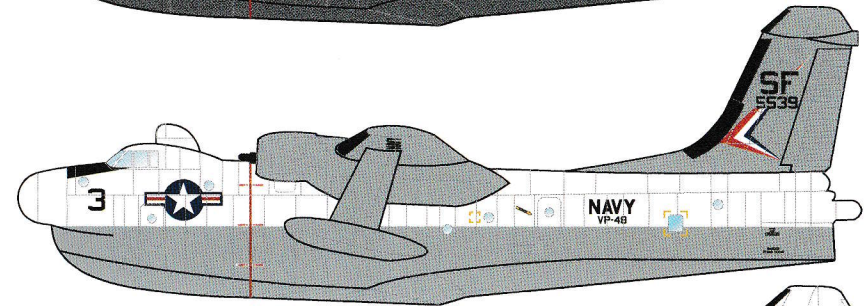
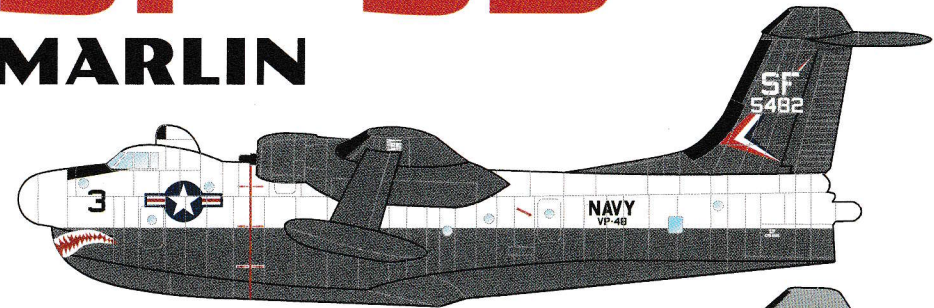


- A** FLAT WHITE (FS37875)
- B** FLAT BLACK (FS37038)
- C** ENGINE GRAY (FS36081)
- D** FLUORESCENT RED (FS28915)
- E** LIGHT GULL GRAY (FS36440)
- F** SEA BLUE (FS35042)

Caracal Models
PO Box 92141
Austin, TX 78709
info@caracalmodels.com
http://www.caracalmodels.com

Decals printed by Microscale in the USA

SP-5B MARLIN



7 MARKING OPTIONS
FOR US & FRENCH NAVY MARLINS
DESIGNED FOR THE HASEGAWA KIT

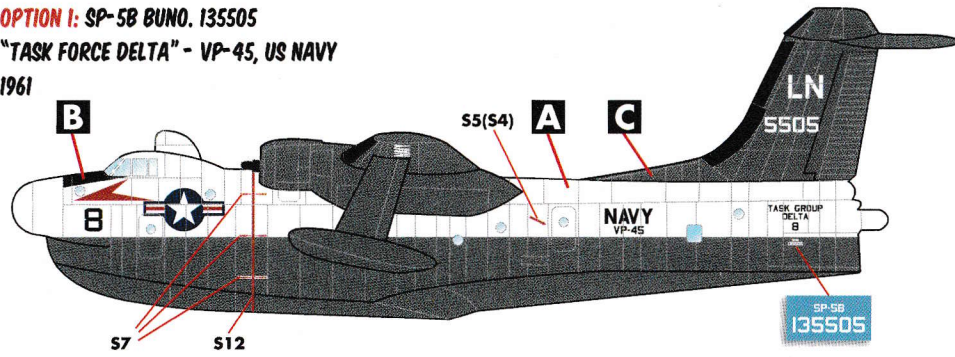
1/72 SCALE

DECALS PRINTED BY

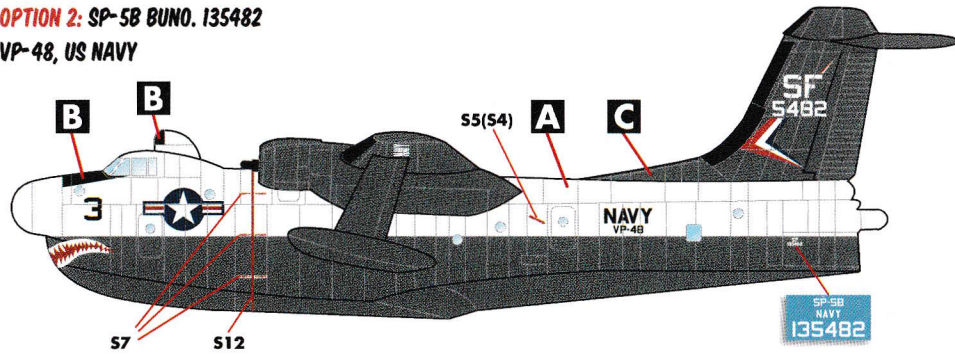


COPYRIGHT 2015 CARACAL MODELS - ALL RIGHTS RESERVED

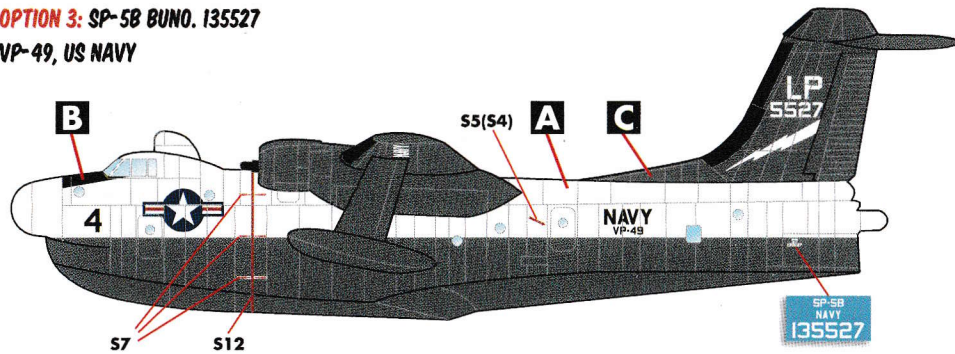
OPTION 1: SP-5B BUNO. 135505
 "TASK FORCE DELTA" - VP-45, US NAVY
 1961



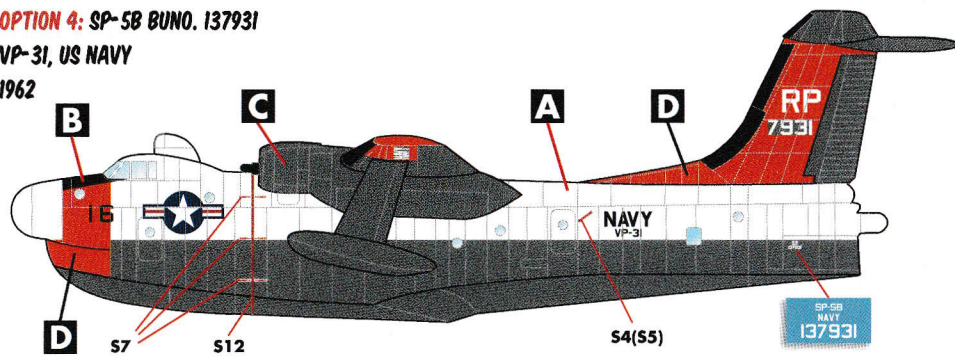
OPTION 2: SP-5B BUNO. 135482
 VP-48, US NAVY



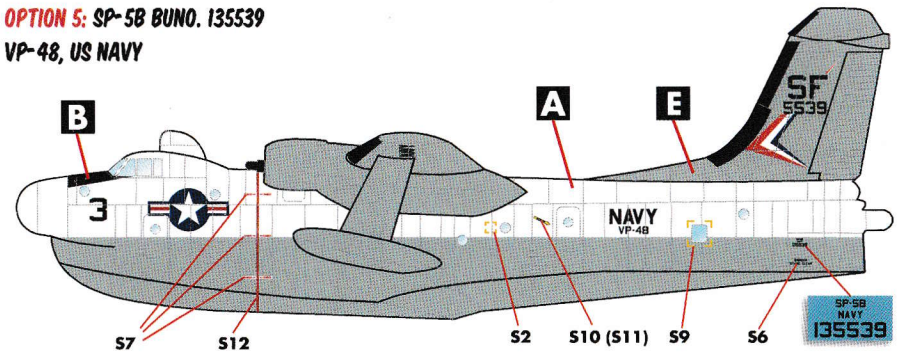
OPTION 3: SP-5B BUNO. 135527
 VP-49, US NAVY



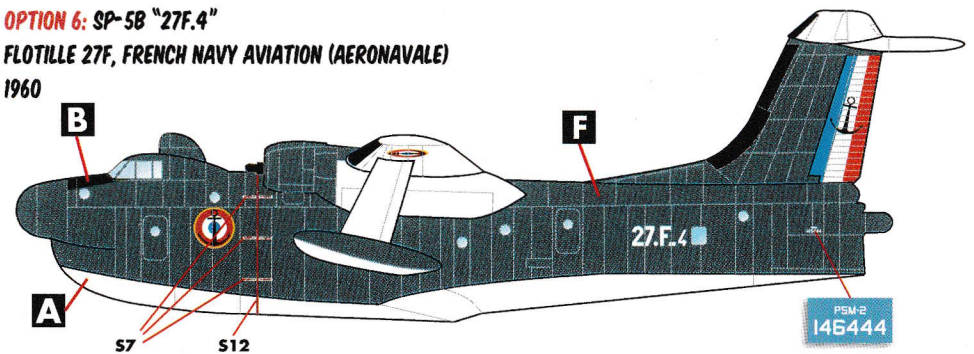
OPTION 4: SP-5B BUNO. 137931
 VP-31, US NAVY
 1962



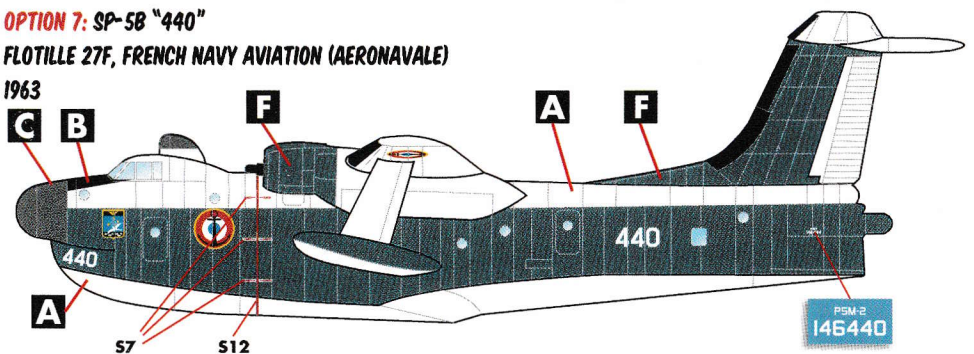
OPTION 5: SP-5B BUNO. 135539
 VP-48, US NAVY



OPTION 6: SP-5B "27F.4"
 FLOTILLE 27F, FRENCH NAVY AVIATION (AERONAVALE)
 1960



OPTION 7: SP-5B "440"
 FLOTILLE 27F, FRENCH NAVY AVIATION (AERONAVALE)
 1963



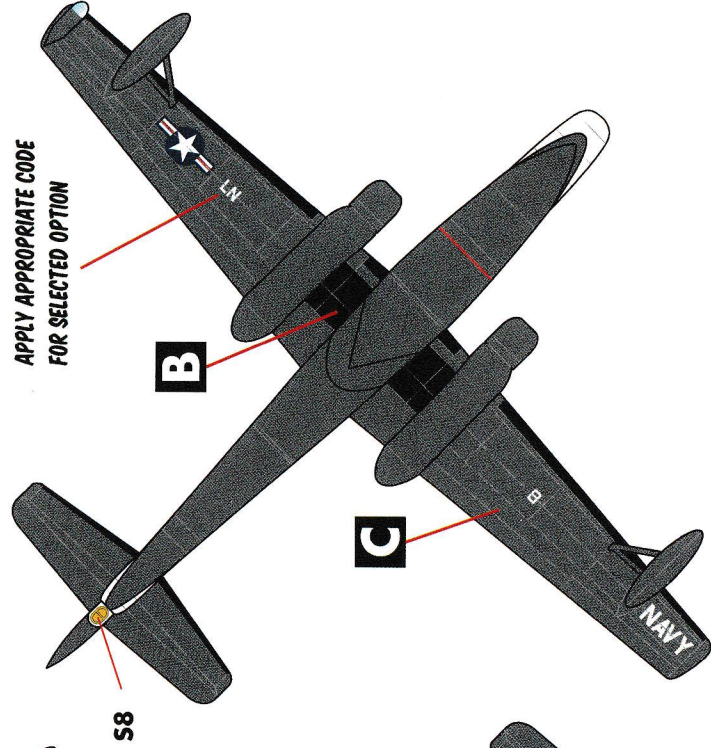
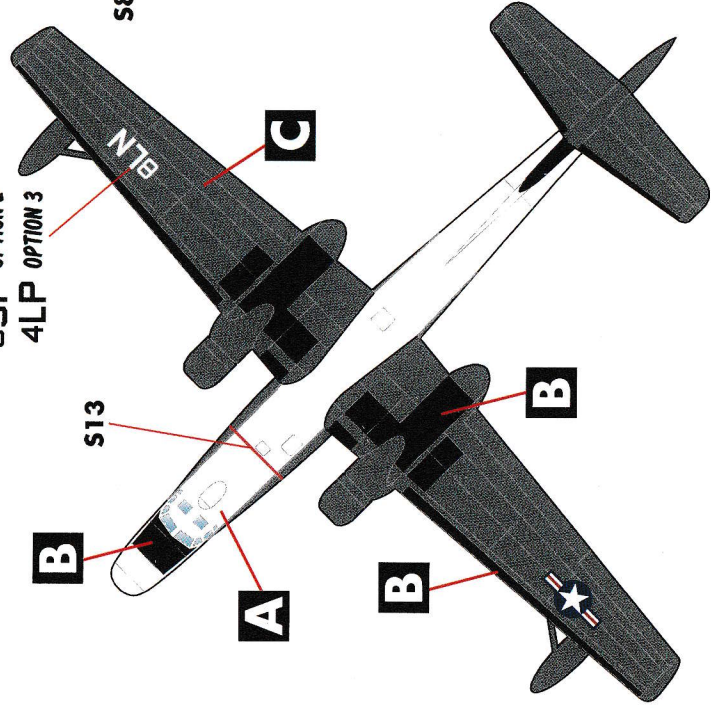
OPTIONS 1, 2 & 3

APPLY APPROPRIATE CODE FOR SELECTED OPTION

BLN OPTION 1

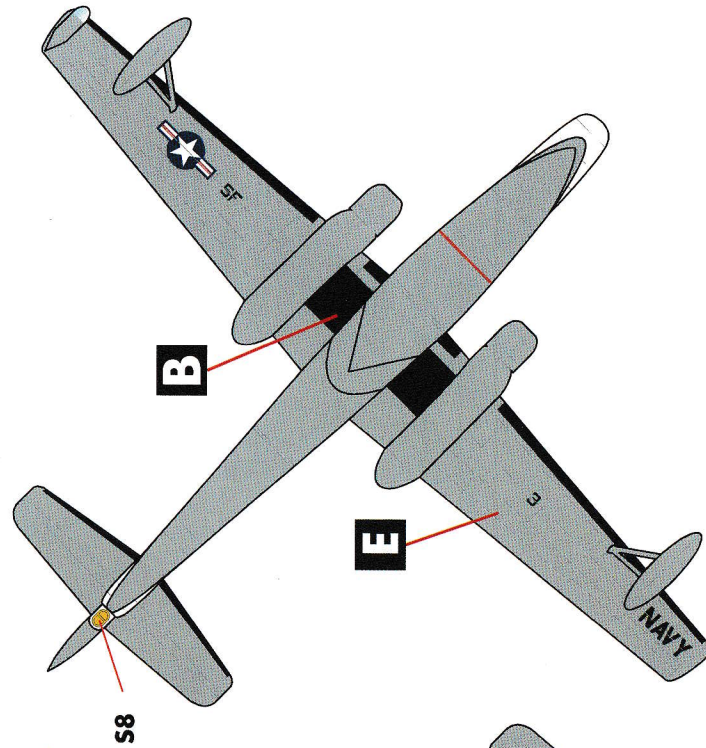
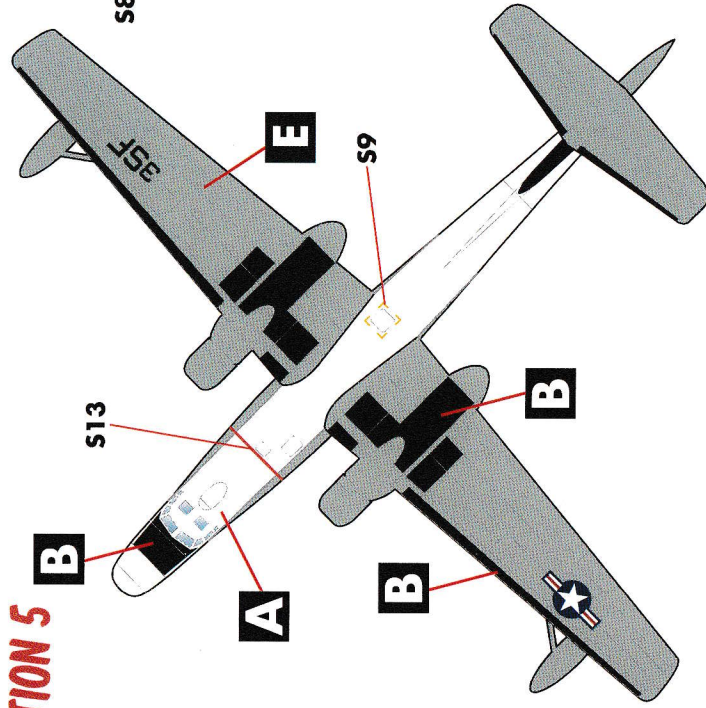
3SF OPTION 2

4LP OPTION 3

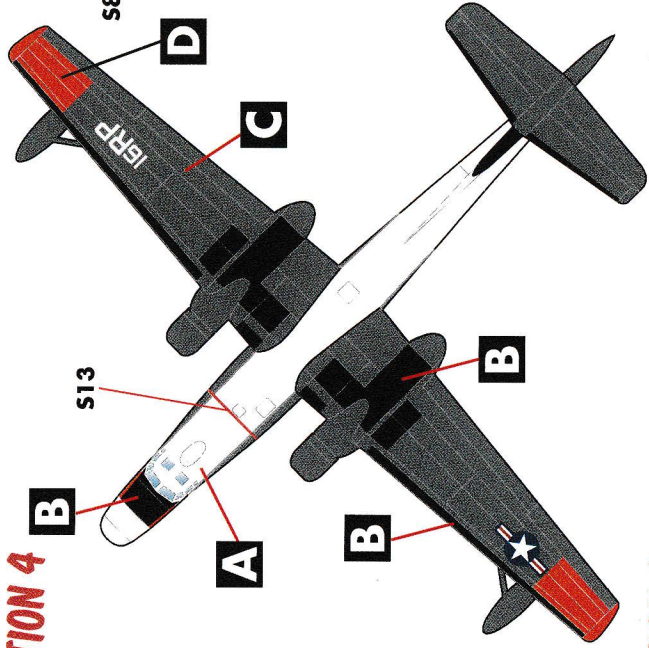


APPLY APPROPRIATE CODE FOR SELECTED OPTION

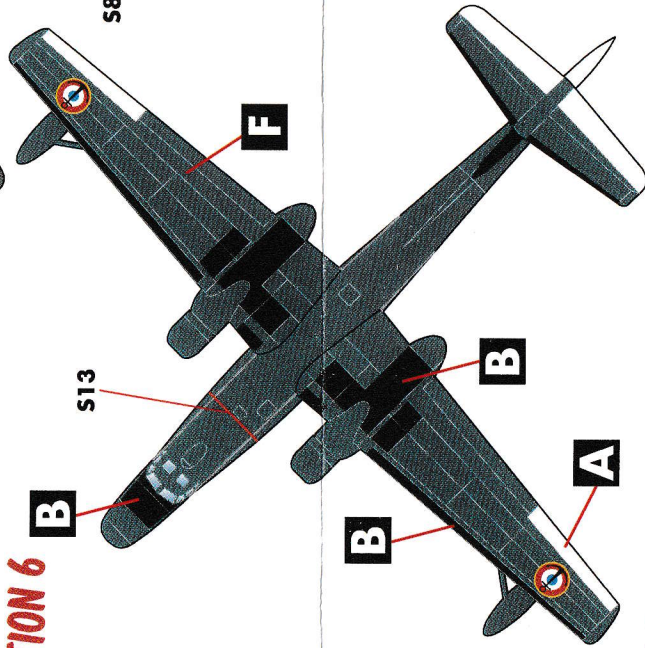
OPTION 5



OPTION 4



OPTION 6



OPTION 7

