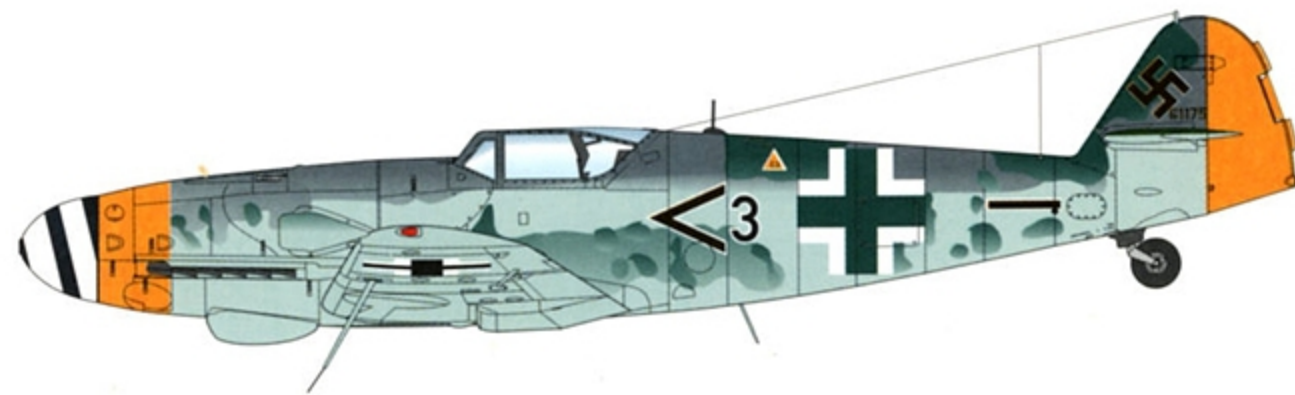


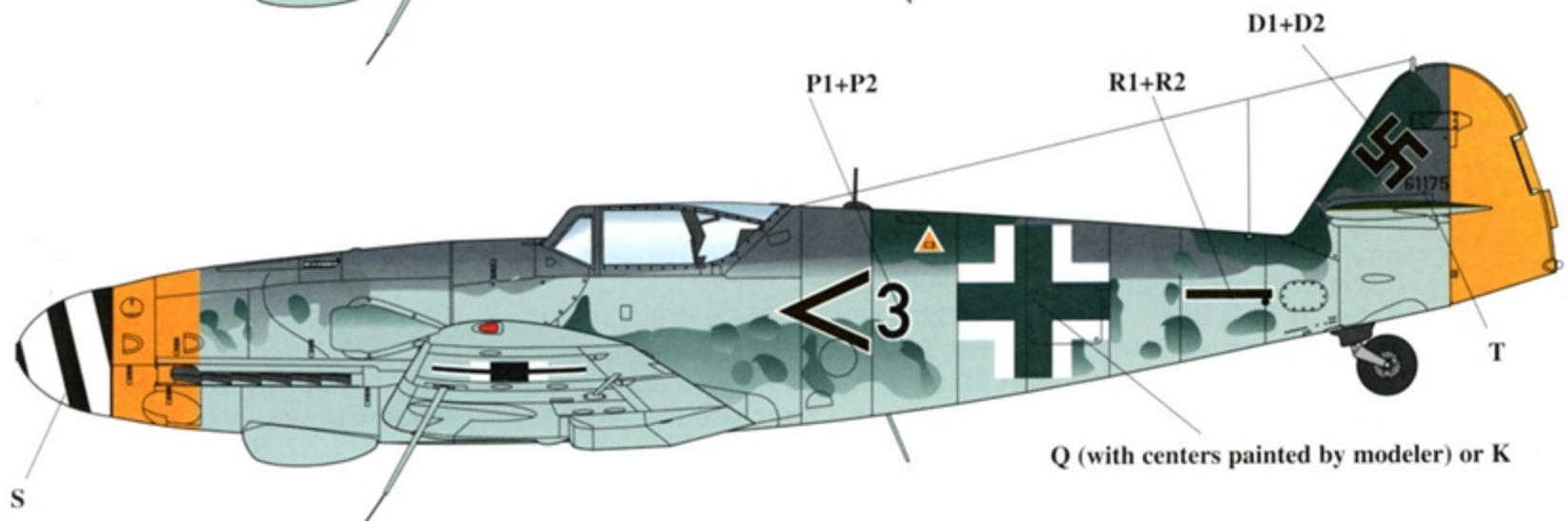
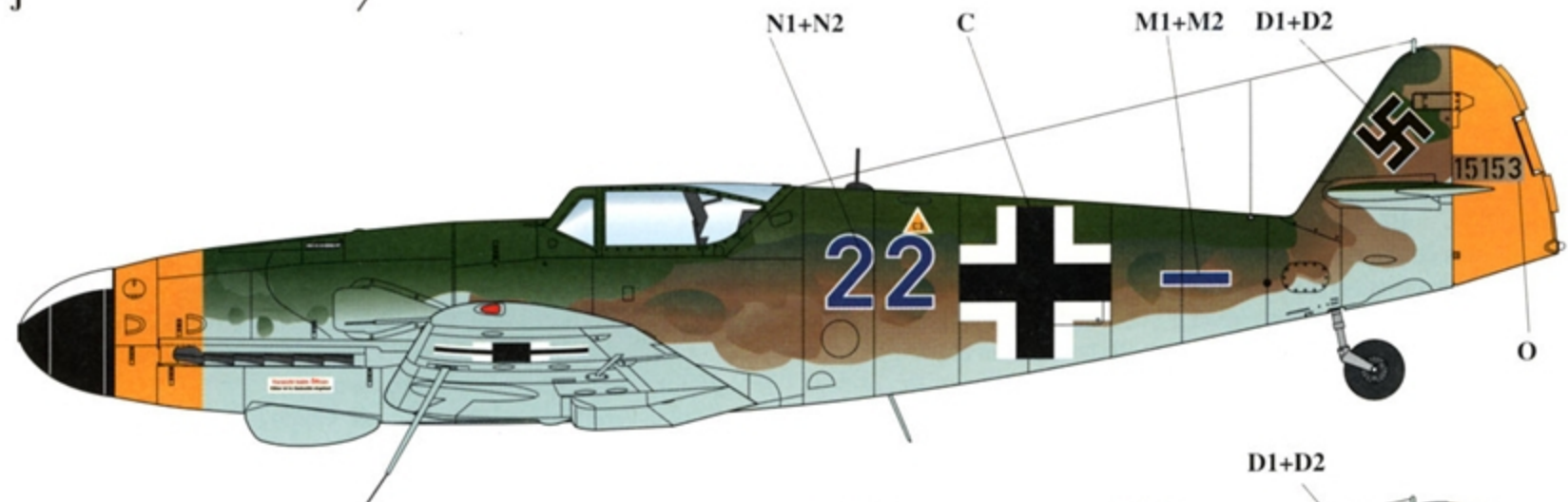
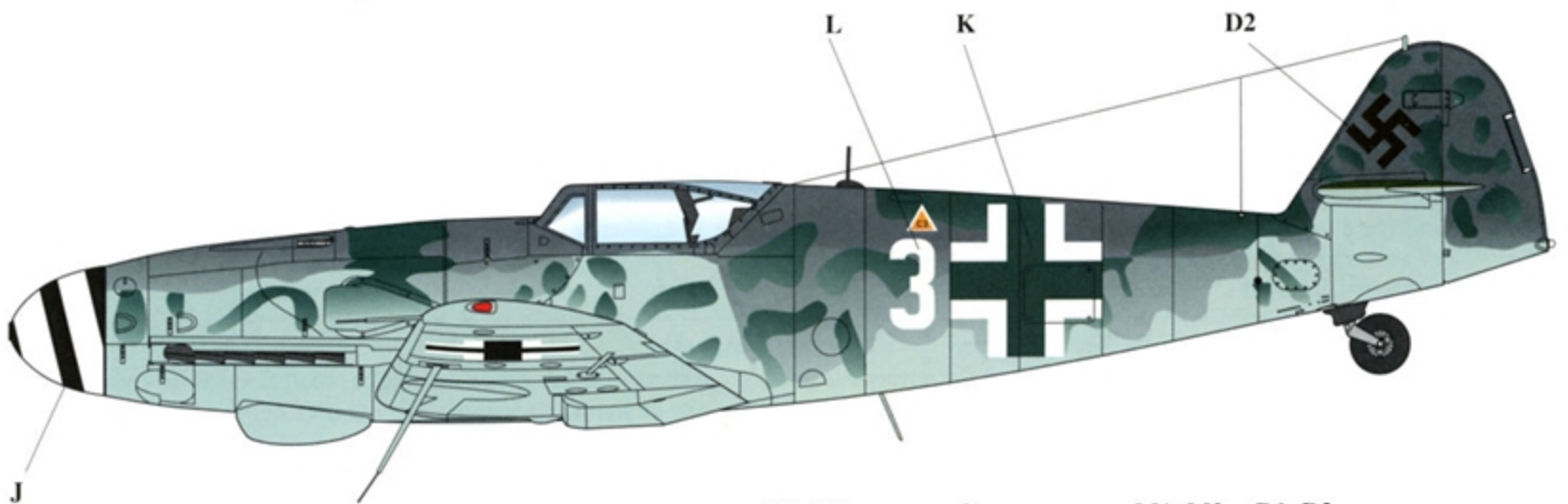
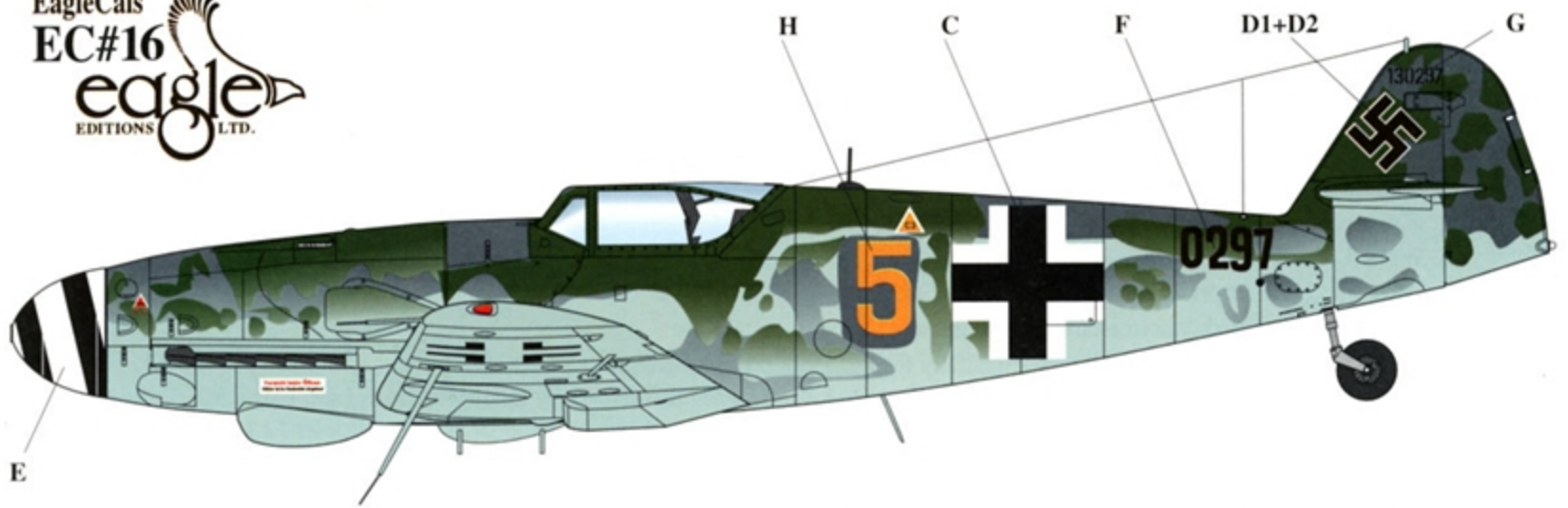
EagleCals
EC#16

- 1/72
- 1/48

Bf 109 G-108

eagle
EDITIONS LTD.





Q (with centers painted by modeler) or K

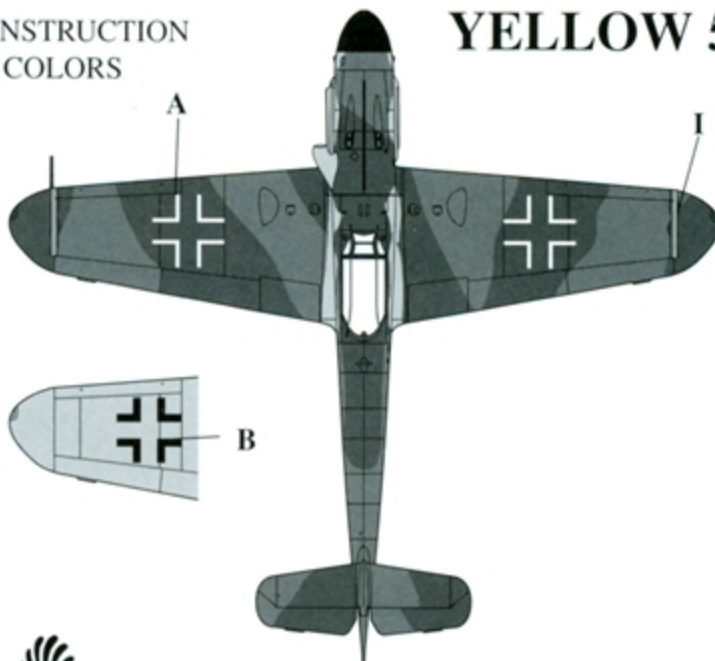


Bf 109 G-108

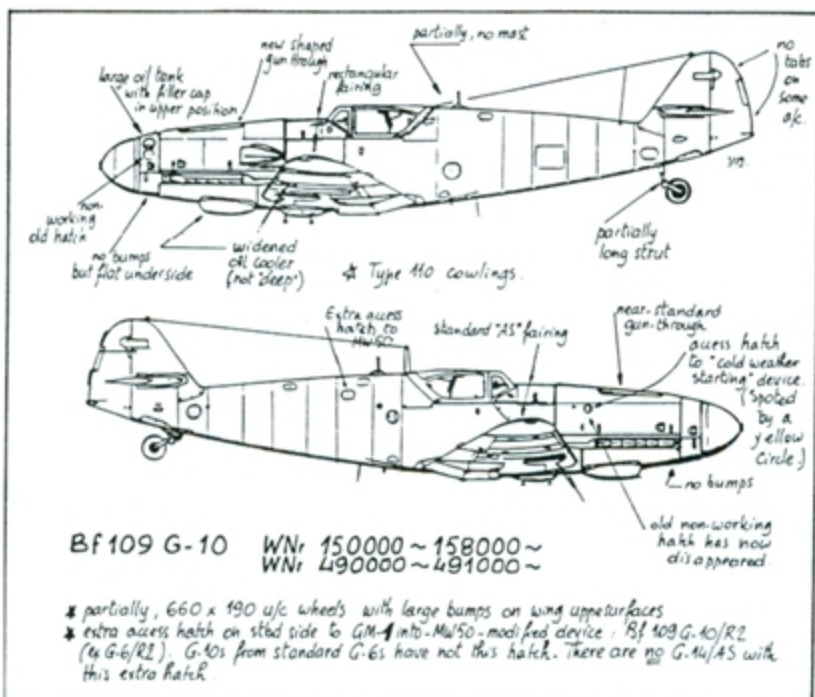
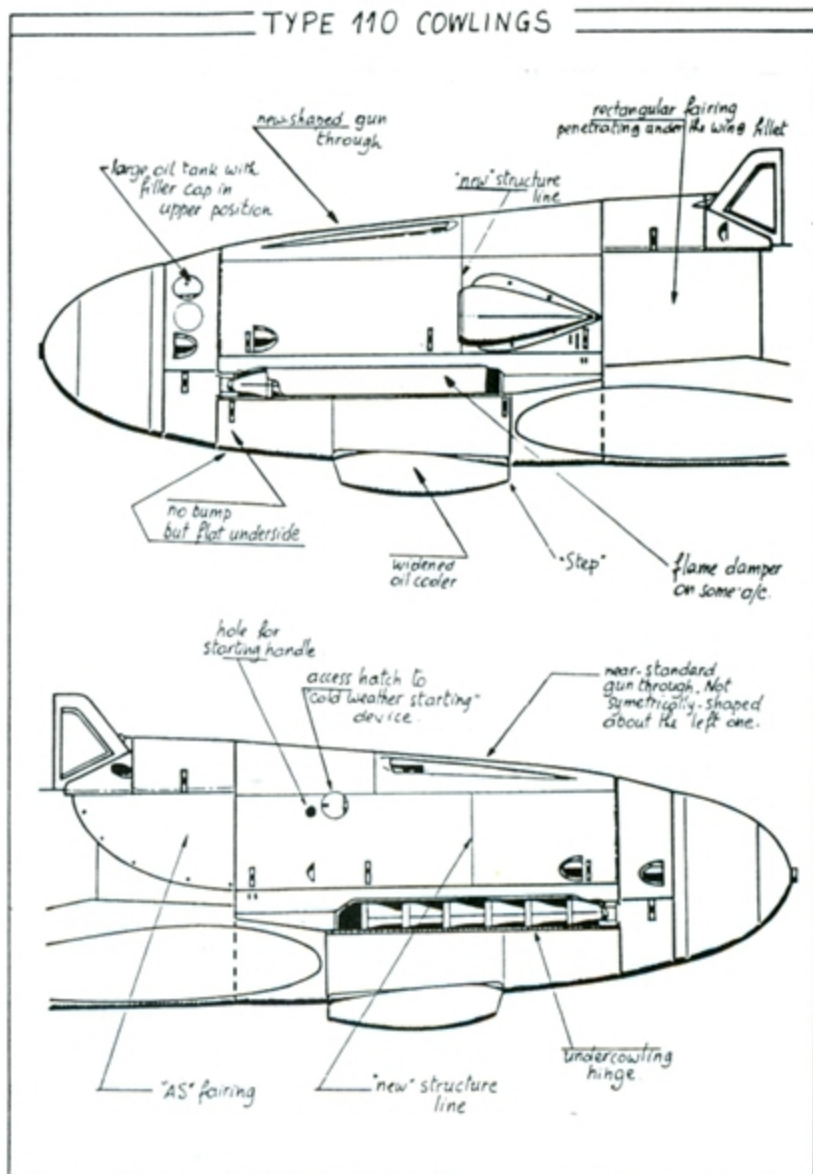
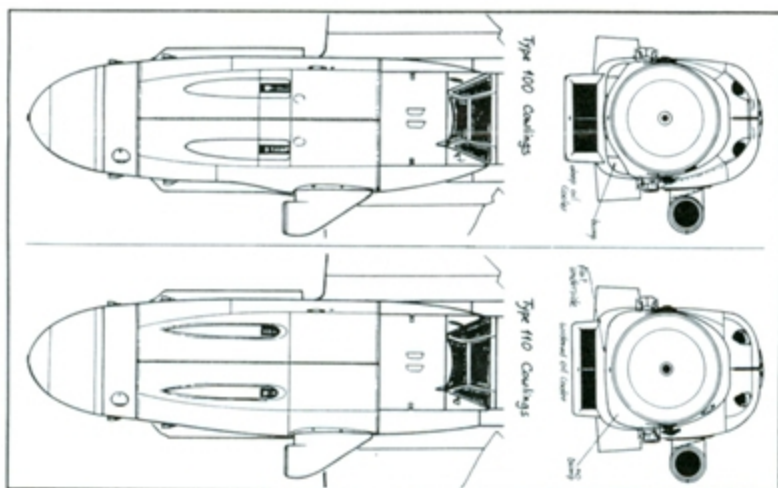
REFER TO OUR INSTRUCTION SHEET FOR COLORS

YELLOW 5

CHEVRON 3
WHITE 3
BLUE 22



EagleCals
EC#16
eagle
EDITIONS LTD.



EagleCals #16

Bf 109 G-10s

Reportedly the fastest of all Messerschmitt 109 G series aircraft is the Bf 109 G-10 which was equipped with a DB 605 D engine. Production started in October 1944 by updating older Bf 109 G-6 or G-14 airframes. Because of this, many aircraft had two factory data plates. There were many varied combinations of cowlings, oil cooler radiators, panels, etc.; therefore, be sure to check references.

- Reference:** 1. Sheflin, Steve. **Airfoil #2**. Airfoil Publications USA 1984
2. Hitchcock, Thomas. **Monogram Close-Up #7, Gustav Part 2**. Monogram Aviation Publications USA
3. Widfelt, Bo. **The Luftwaffe in Sweden 1939-1945**. Monogram Aviation Publications USA
4. Photos and film in private collection of Jerry Crandall
5. **Luftwaffe Warbirds** photo album Vol. 5, Japan

Recommended kits: 1/48 - Decals are engineered especially for the 1999 release Hasegawa Bf 109 G-10

For accurate color reference we recommend the Luftwaffe Color Chart published by Eagle Editions Ltd. featuring paint chips prepared by Warnecke and Böhm available from your local hobby shop or Eagle Editions Ltd.

"Yellow 5" **Bf 109 G-10** **W. Nr. 130297** **Pilot: Fw Horst Petzschler** **10/JG 51** **4 May 1945** **Bulltofa, Sweden**

This is a very special project as Horst is a life-long dear friend and I humbly dedicate this sheet to him. The story of Horst's last mission and this aircraft can be found in reference #3 complete with excellent photos. A beautiful color profile created by Thomas A. Tullis is on the 1998 IPMS symposium poster, autographed by Horst Petzschler and released by Eagle Editions Ltd. This Messerschmitt built G-10 is an early example incorporating the 660X160 main wheels resulting in the small bulges on the top of the wing but has the tall fixed tail wheel. Equipped for a drop tank.

Colors: Undersurfaces; 76 Light Blue Uppersurfaces; 75 Gray-Violet/83 Dark Green Previous tactical number painted out with Light Gray.
Spinner: Black with wide White spiral Prop blades: 70 Black-Green All antennas intact No external trim tabs on rudder.
Last four digits of W. Nr. painted on rear fuselage "0297". Unusual narrow White stripe on upper wing.

National Markings: Fuselage; 900mm Black and White crosses, 300mm Black Hakenkreuz with White outline.

Wings: Upper - Probably 1000mm White outline crosses Lower - 900mm Black outline crosses

Stencilling: Factory standard

Reference: #3 page 88-90 and #2 pages 1,10,15

"White 3" **Bf 109 G-10** **W. Nr. Unknown** **Pilot: Unknown** **I/JG 52 (?)** **May 1945**

This G-10 crash landed behind American lines escaping the advancing Russians. Although this is not an especially colorful machine, color photos of late war Luftwaffe aircraft are extremely rare. Noteworthy are the large wheel bumps on the wings incorporating 660X190 main wheels and the short tail wheel leg. See color photos on instruction sheet.

Colors: Undersurfaces; 76 Light Blue Uppersurfaces; 75 Gray-Violet/ 74 Gray-Green.

Spinner: Black with wide White spiral. Prop Blades: 70 Black-Green. Antennas probably all present.

Unusual narrow White stripe centered in Black sprayed stripe on upper wing tip probably tape to prevent water leaking into wooden wing tips used on late Bf 109s. External trim tabs on rudder not visible.

National Markings: Fuselage; 900mm White outline crosses filled in with 74 Gray-Green. 300mm Black Hakenkreuz, no White outline

Wings: Upper - 1000mm White outline crosses Lower- probably 900mm Black with White outline crosses

Stencilling: Probably factory standard

Reference: #4

"Blue 22" **Bf 109 G-10** **W. Nr. 15153?** (Last digit painted out) **Pilot: Unknown** **II/JG 52** **May 1945** **Neubiberg, Germany**

This G-10 is equipped with the large 660X190 main wheels and tall fixed tail wheel. This very colorful machine is included even though it has some cowling variation from the 1/48 Hasegawa G-10 kit. The W. Nr. block 151xxx aircraft is equipped with the type 110 cowling variation. Jean-Claude Mermet published his research in the Luftwaffe Verband newsletter edited by Barry Rosch. With their kind permission Mr. Mermet's drawings are included for the modeler's benefit. To produce an absolutely accurate version of this aircraft, some conversion will be necessary; however, we understand Hasegawa will eventually produce this version of the 1/48 Bf 109 G-10 kit. Has external trim tabs on rudder.

Colors: Undersurfaces; 76 Light Blue Uppersurfaces; Messerschmitt 81 Brown-Violet (FS 30140) /83 Dark Green (appears to be polished).

Yellow band on engine cowl ordered by Luftflotte 4. Yellow rudder with W. Nr. masked off. Small numbers typical of II/JG 52.

Spinner: 2/3 70 Black-Green or Black; 1/3 White. Prop Blades: 70 Black-Green. All antennas appear to be intact.

National Markings: Fuselage; 900mm Black and White crosses. 300mm Black Hakenkreuz with White outline

Wings: Upper - 1000mm White outline crosses. Lower - 900mm Black with White outline crosses

Stencilling: Not visible but probably factory standard.

Reference: #1 page 20, 35 (listed as "Red 22"), #2 page 7 and #5 page 32

"Black < 3" **Bf 109 G-10** **W. Nr. 61175?** **Pilot: Unknown** **Stab II/JG 52** **Neubiberg, Germany**

One of many II/JG 52 Bf 109s that surrendered at Neubiberg. Many of these G-10s were in this W. Nr. block and featured large main wheels, short tail wheel and external trim tabs on rudder and were camouflaged in the 76/75/74 Gray colors. Most have the combination of the 04 Yellow rudder and cowl band as directed by Luftflotte 4.

Colors: Undersurfaces; 76 Light Blue Uppersurfaces; 75 Gray-Violet, 74 Gray-Green, 04 Yellow rudder and cowl band.

Spinner: Probably Black with White spiral Prop Blades: 70 Black-Green. Antennas were probably intact.

National Markings: Fuselage; 900mm White crosses filled in with 74 Gray-Green. 300 mm Black Hakenkreuz with White outline (probable)

Wings: Upper - 1000mm White outline crosses Lower - 900 mm Black with White outline crosses (Probable).

Stencilling: Not visible but probably factory standard

Reference: #1 page 35

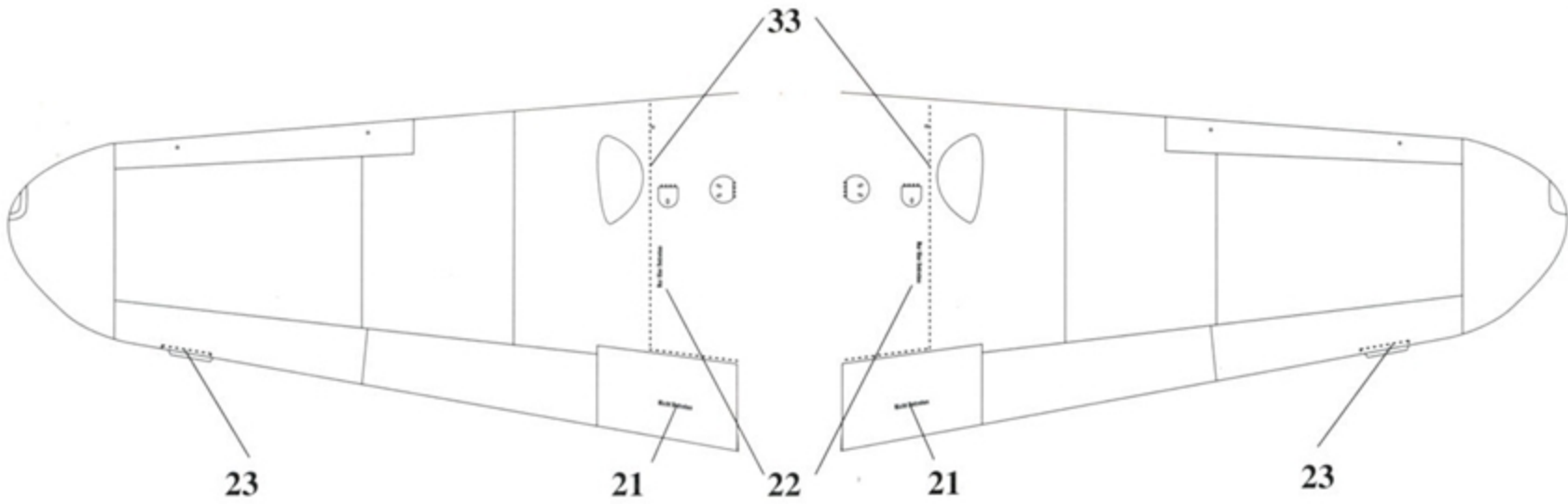
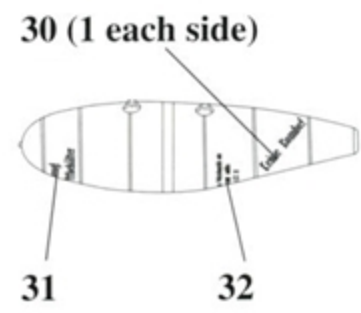
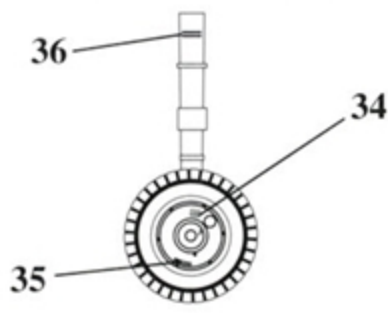
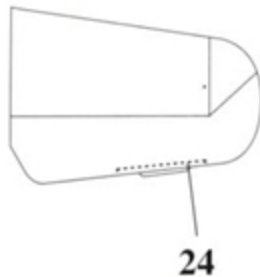
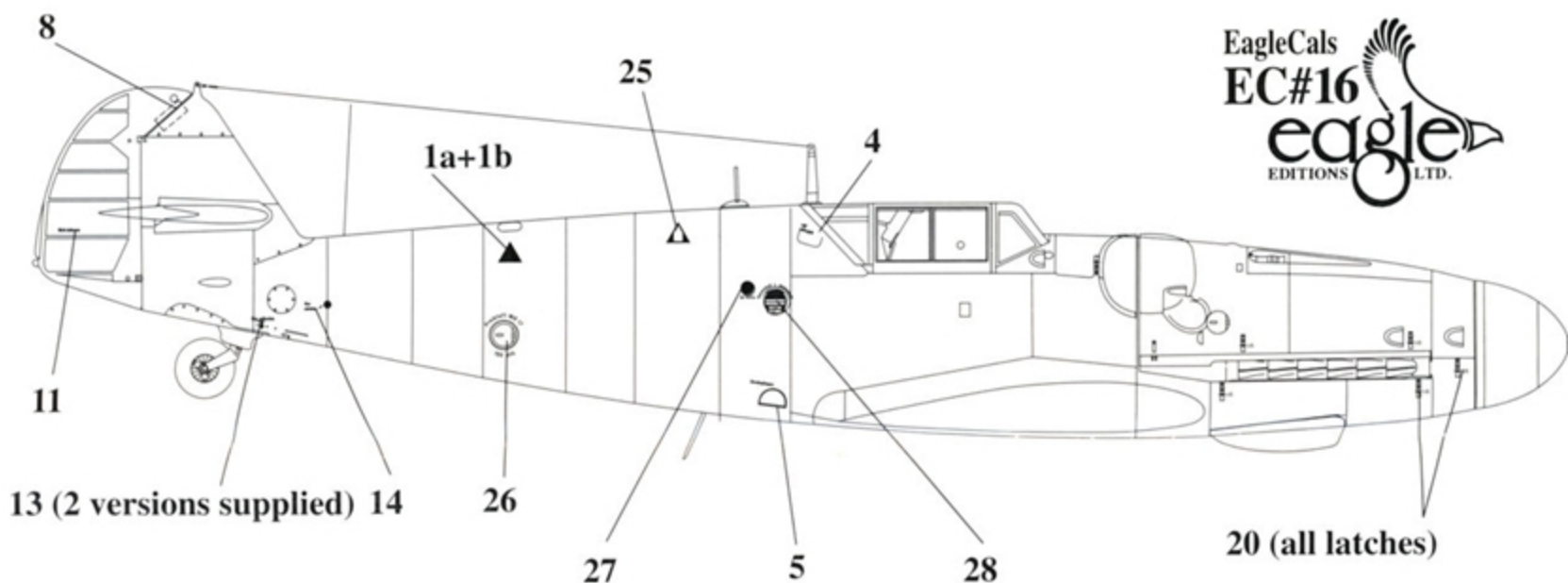
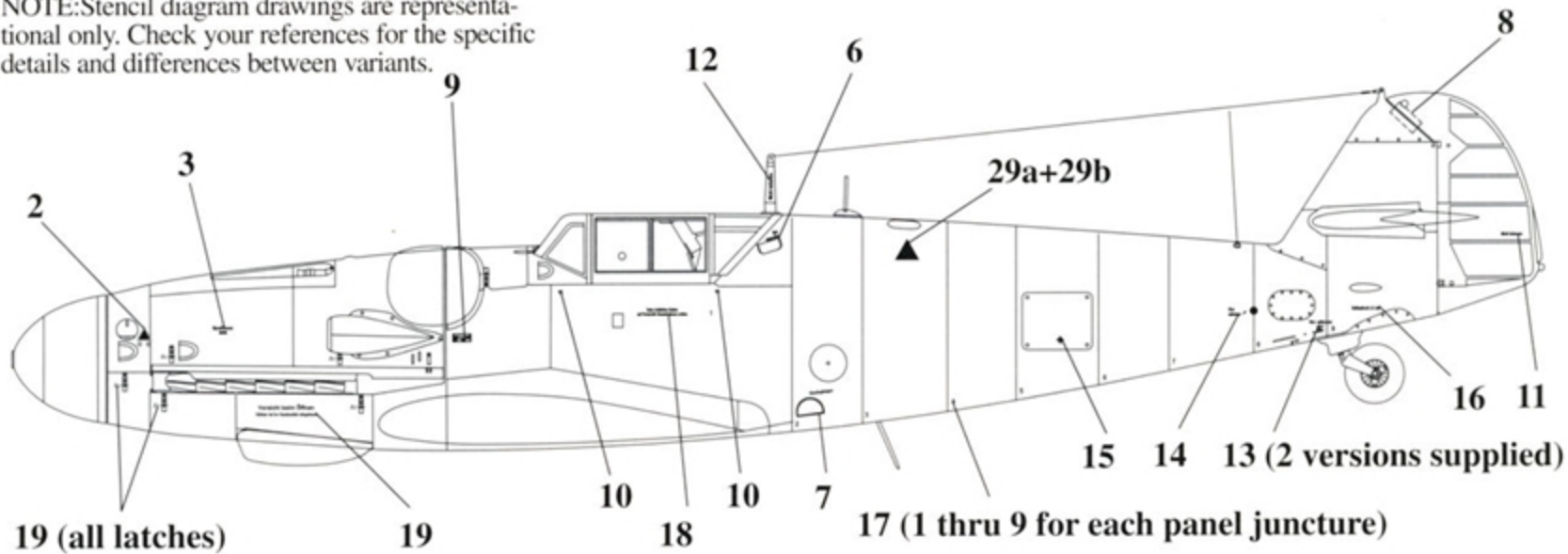
© 1999 Eagle Editions Ltd. All images/photos copyrighted by
Eagle Editions Ltd. P.O. Box 580 Hamilton MT 59840

1-800-255-1830 orders (406) 375-9270 Fax or (406) 363-5415 office

No copies may be reproduced without written consent from publisher Eagle Editions Ltd., and Artist Jerry Crandall

The color schemes depicted are the artist's interpretations of the available photographic references only. The final decision resides with the modeler.

NOTE: Stencil diagram drawings are representational only. Check your references for the specific details and differences between variants.



EagleCals EC48-16 & EC72-16 © 1999 Eagle Editions

