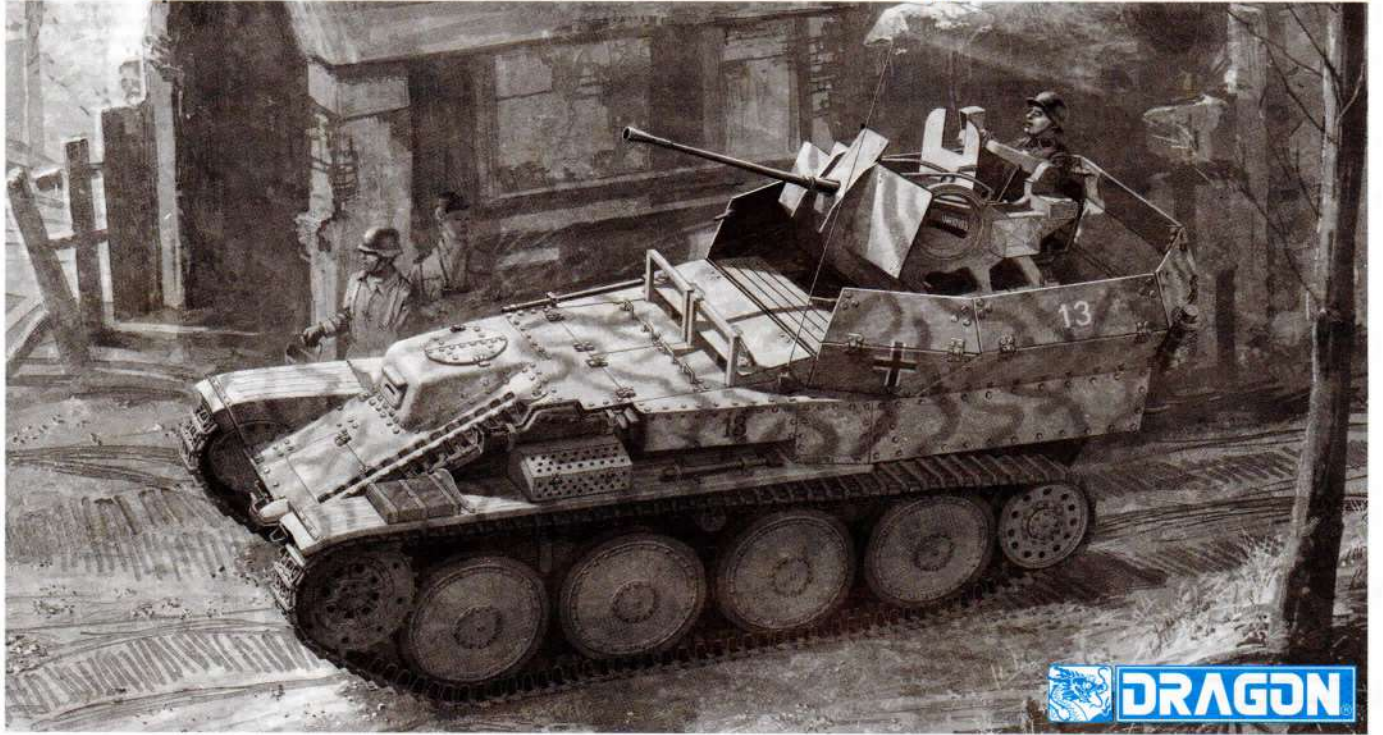


1:35 '39-'45 SERIES

Flakpanzer 38(t) Sd.Kfz.140 auf (Sf) Ausf.1 "Gepard" *Smart Kit*



DRAGON

Thanks to TOM COCKLE and GARY EDMUNDSON as technical consultants.

KIT NO. 6469

A

B

G

GA

A

D

M

P

K

RA

RB

RD

Wx2

Hx2

X

B

R

J

J

L

N

MA (Photo-etched Parts)

MC (Photo-etched Parts)

MDx2 (Photo-etched Parts)

MB (Photo-etched Parts)

Yx60

MagicTrack

Wx2

の部品は使用しません
Parts not for use.
Teile werden nicht verwendet.
Pieces a ne pas utiliser.
Parti nin utilizzati.
不需要使用的部件

- 組立ての注意**
- 接着剤や塗料は火の近くで使わないでください。使う時はときどき窓を開けて換気をお願いします。
 - 塗料指定の■は GSI CREOS CORP. Mr. COLOR の番号です。接着剤や塗料は入っていませんので別に買いたくありません。
 - 部品をフナーから切り離す時は模型用ハサミを使い、余分な部分はカッターやヤスリ等で仕上げてください。
 - 相互図のサインマークは下の説明をごらんください。
- 【注意】**
- 勿於近火處使用膠水或油漆，並打開窗戶保持空氣流通。
 - 代表 GSI CREOS CORP. 出品 MR. COLOR の顏色編號。
 - 不包括膠水及油漆。
 - 自膠架中取出部件時，應用模型專用剪，並用界刀或小銼除去多餘的膠料。
 - 各圖型的含意可參考本欄以下的說明。

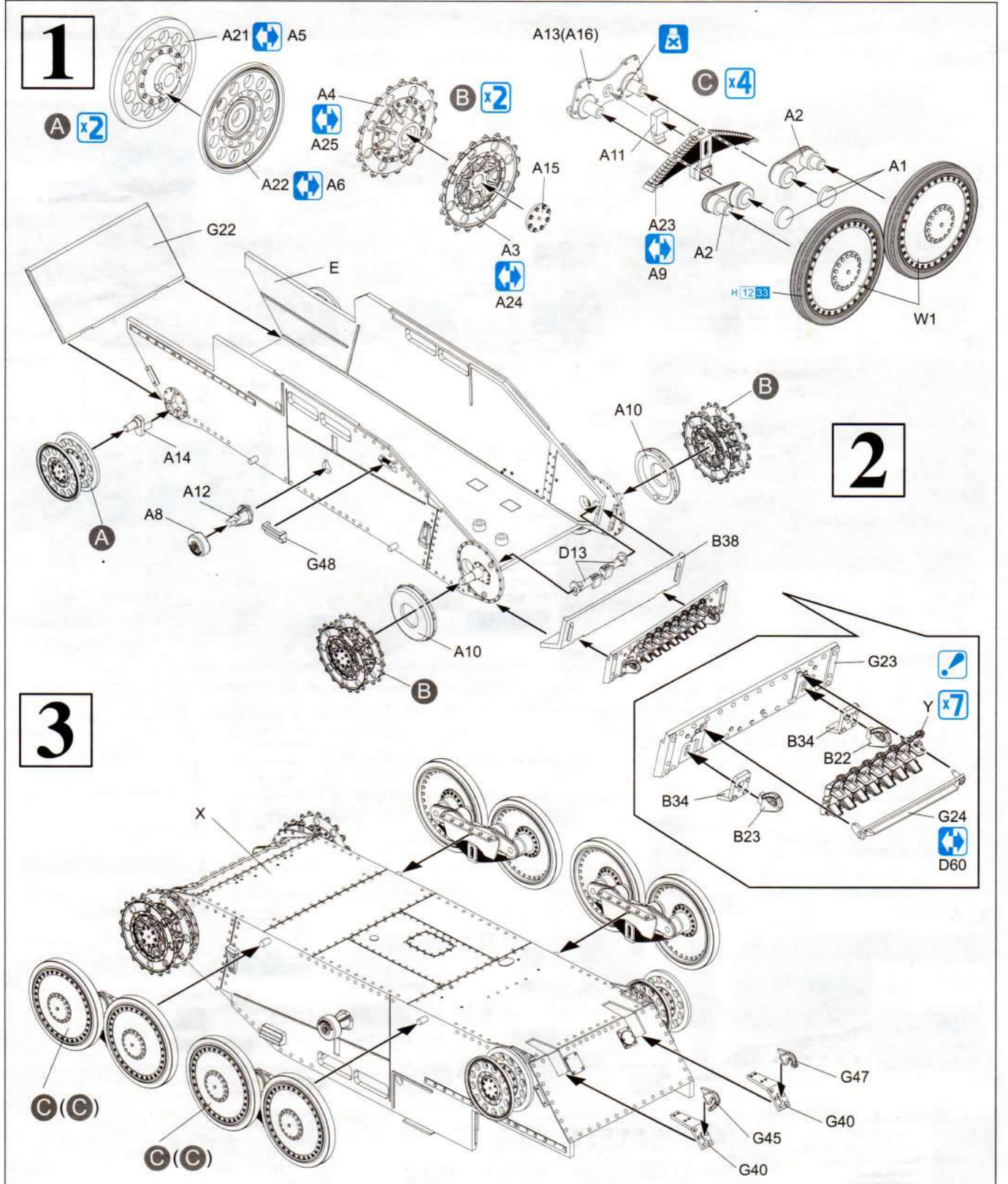
- ZUR BEACHTUNG**
- Kleber und Farbe nicht in der Nähe einer offenen Feuer verwenden und das Fenster von Zeit zu Zeit zur Belüftung öffnen.
 - Symbole wie ■ beziehen sich auf die Farbrummern GSI CREOS CORP. MR. COLOR. Kleber und Farbe sind nicht enthalten.
 - Zum Abschneiden der Teile vom Verbundstück eine Modellierschere verwenden und die überstehenden Plastikteile mit einem Messer oder eine Feile beseitigen.
 - Die Bedeutung der Symbole finden Sie unten in dieser Spalte.
- CAUTION**
- When you use glue or paint, do not use near a naked flame, and use in a well-ventilated room.
 - Symbols such as ■ refer to the color number of GSI CREOS CORP. MR. COLOR. Glue and paint are not included.
 - When you take parts off the runner frame, use modeling scissors and trim excess plastic with a cutter or a file.
 - See below for the meaning of symbols.

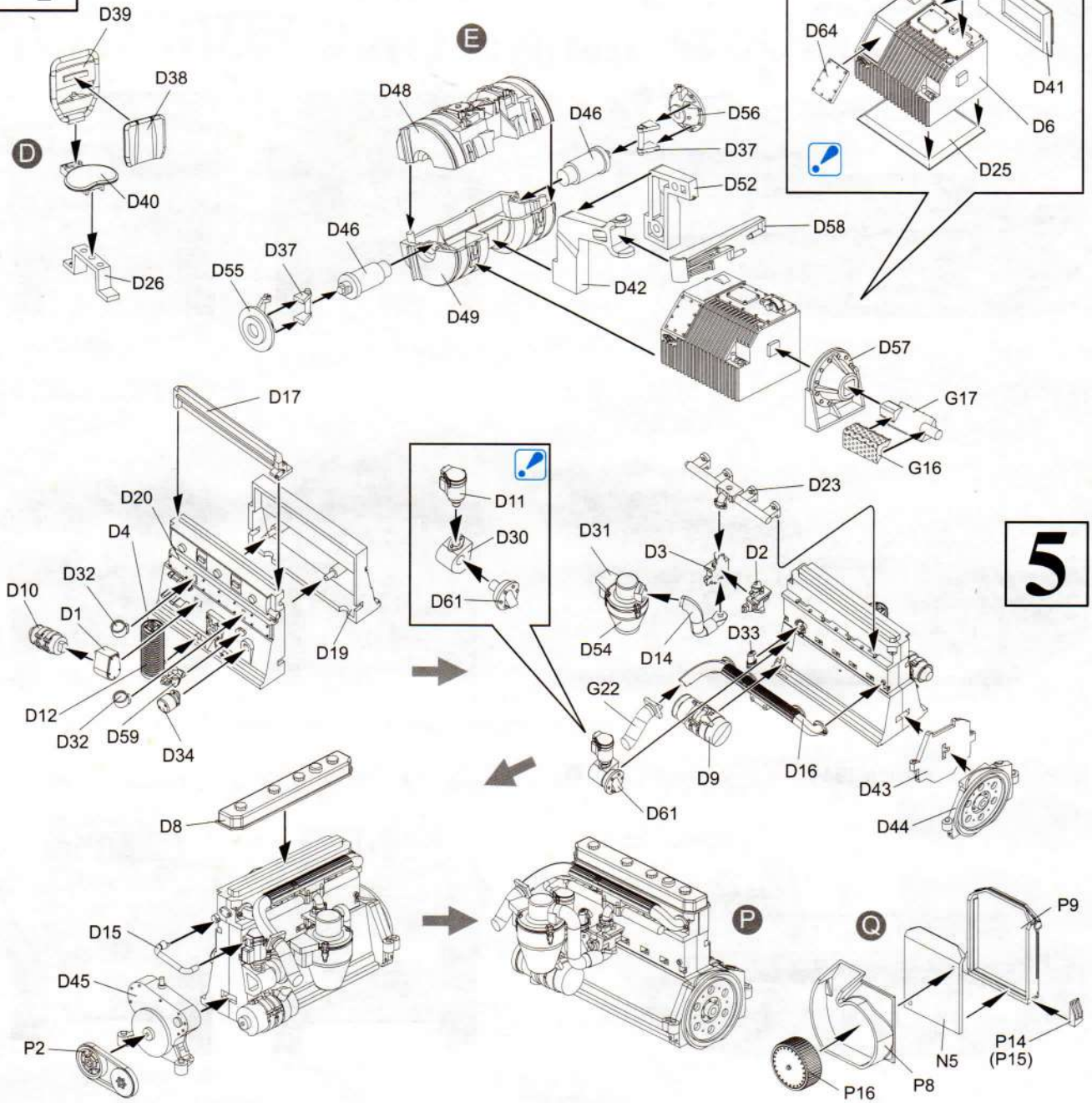
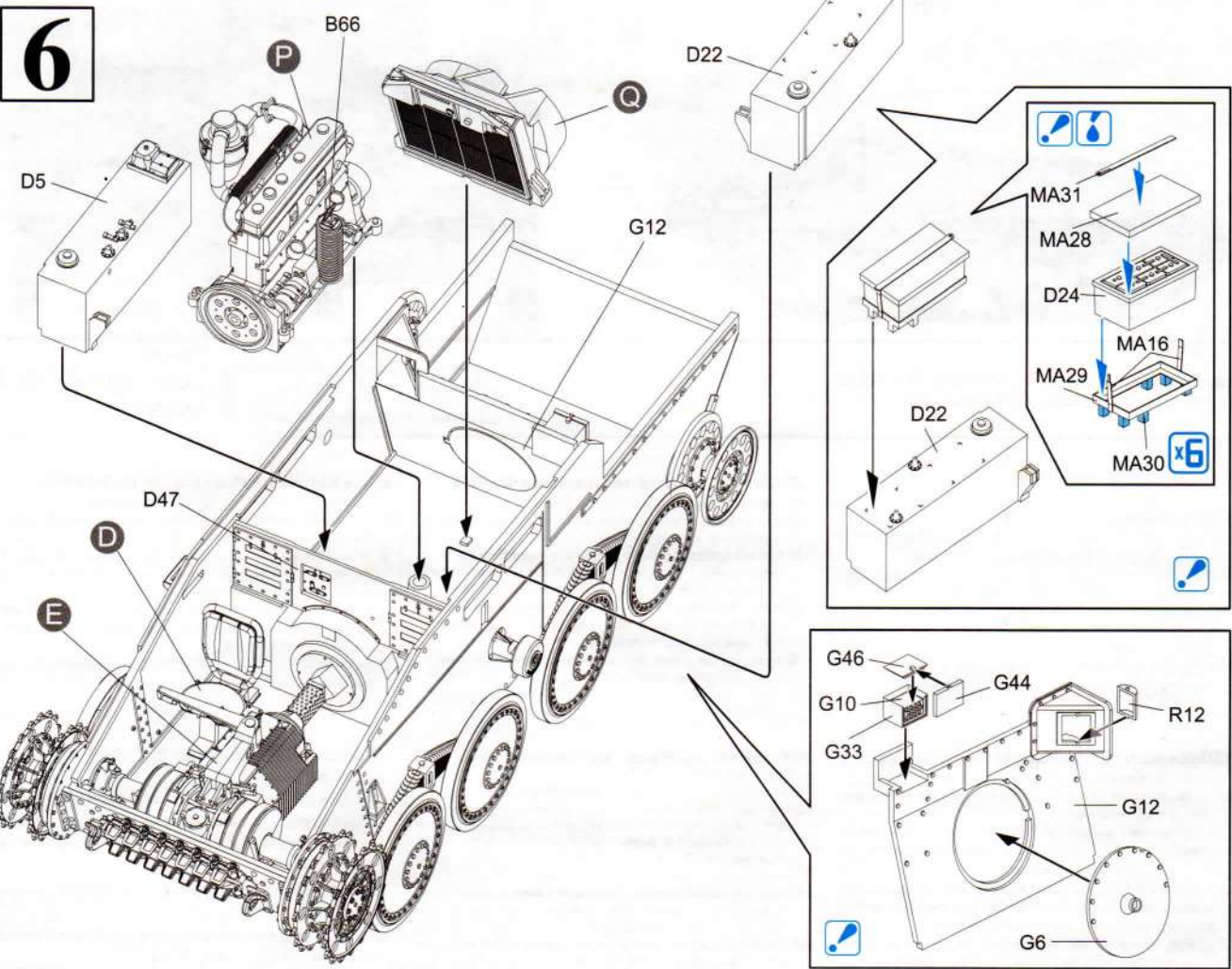
- ATTENTION**
- No gas utiliser de colle ou de peinture a proximité d'une flamme nue, et aérer la pièce de temps en temps.
 - Le numéro ■ pour l'indication de couleurs correspond au numéro de GSI CREOS CORP. MR. COLOR. La colle et la peinture ne sont pas comprises.
 - Pour retirer les pièces hors du cadre, utiliser des ciseaux spéciaux pour maquette le plastique en excès avec un cutter ou une lime.
 - Voir la fin de cette colonne pour la signification des symboles
- ATTENZIONE**
- Non usare colla a vernice vicino a fiamme esposte, e aprire le finestre di tanto in tanto per cambiare l'aria.
 - delle indicazioni di colore si riferisce al numero di colore di GSI CREOS CORP. MR. COLOR. Colla e vernice non sono incluse.
 - Quando si staccano parti del carrello, usare forbici da modellismo e eliminare la plastica in eccesso con un coltello o una lima.
 - Vedere in fondo a questa colonna per il significato dei simboli.

2 つつけてください MAKE 2PCS 2 TEILE FERTIGEN EFFECTUER 2 PIECES FAIRE DUE PEZZI TEE 2 KPL GOR 2 ST 製作二組	切り取ってください REMOVE ENTFERNEN RETRIERER SEPARARE FARE DUE PEZZI POISTA AVLJAGNNA 製作二組	接着しないでください DO NOT CEMENT NICHT KLEBEN NE PAS COLLER NON INCOLLARE ELIMAA LIMMAEJ 不用黏合	ステッカーを貼ってください APPLY DECAL HIER ABZIEHBILD APPLIQUER DECALOMANIE APPLIQUER DECALOMANIE ASETA SIRTOKUVA APPLICERA DECALEN 貼上下印紙	折り曲げてください BEND BITTE BEUGEN PLIER S'IL VOUS PLAIT PIEGARE TÄTA BOCKA 屈曲	押しつけてください OPTIONAL NACH BELIEBEN FACILITAT FACOLTATIVO VALINNANVARAINEN VALBAR 可以選擇採用	穴を閉めてください FILE HOLE SCHLIESSEN BOUCHER LE TROU FORO PIENO TAYTA REIKKA FYLLI HALET 穴を埋平	穴を開けてください OPEN HOLE OFFNEN FAIRE UN TROU FORO APERTO AVAR REIKKA ÖPPNÄ HALET 穿孔	接着してください CEMENT TOGETHER ZUSAMMENKLEBEN COLLER ENSEMBLE INCOLLARE INSIEME LIMMA WHTEEN LIMMA HOP 用膠黏合	できるだけ簡単に INSTANT GLUE FOR METAL METALLKLEBER COLLA A METAL INSTANTANEE COLLA INSTANTANEA PER METALLU PRAKALIMA METALLOIDA VARTEN SHANILIM FOR METALLOIDAR 金屬用速乾膠
---	--	--	--	--	--	--	--	--	---

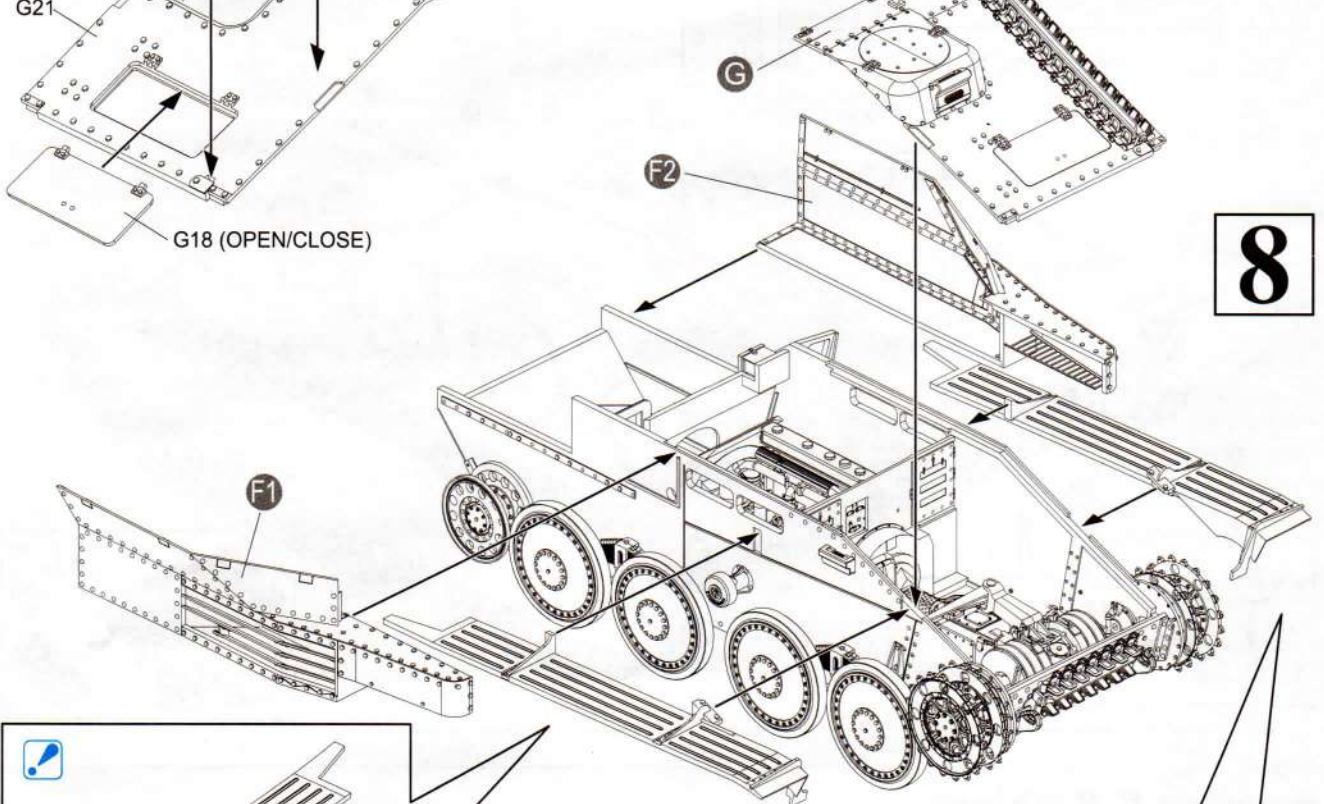
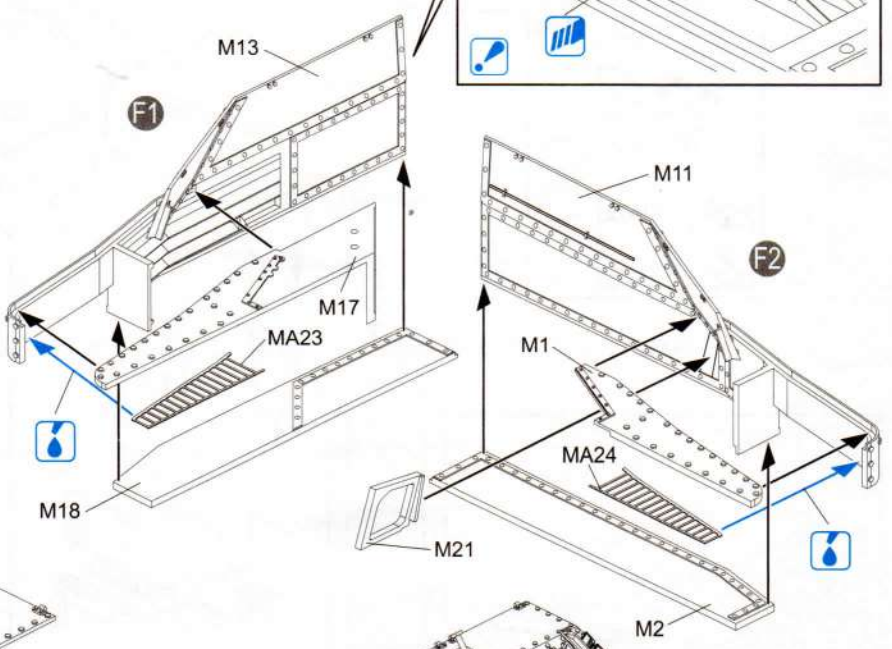
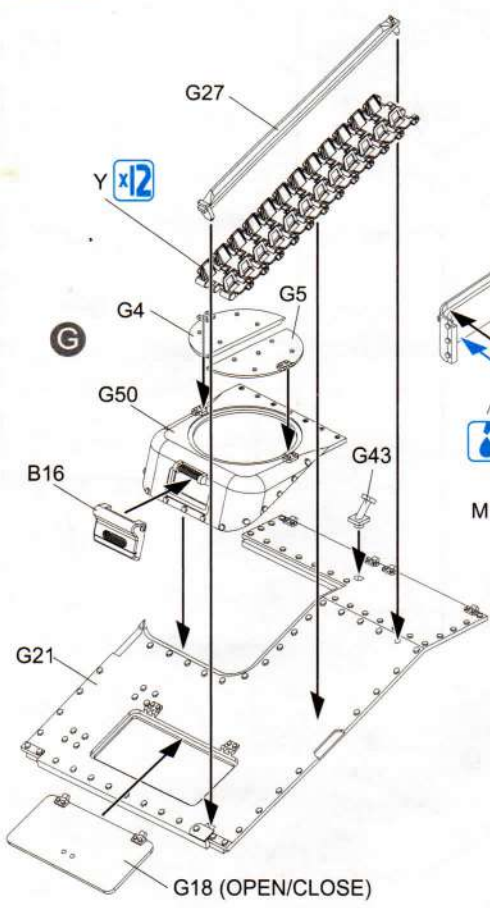
H1 GSI CREOS CORP. AQUEOUS HOBBY COLOUR 1 GSI CREOS CORP. MR. COLOUR MODEL MASTER COLOR

H12 2	ブラック	1747	BLACK	SCHWARZ	NOIR	NERO	黑色
H18 3	シルバー	1546	SILVER	SILBER	ARGENT	ARGENTO	銀色
H19 9	ゴールド	1744	GOLD	GOLD	OR	ORO	金色
H12 33	つや消しブラック	1749	FLAT BLACK	MATTSCHWARZ	NOIR MAT	NERO OPACO	啞黑色
H18 28	黒鉄色	1795	STEEL	STAHL	ACIER	ACCIAIO	黑鐵色
H32 40	ダークグレー(1)	1745	FIELD GRAY(1)	FELD GRAU(1)	GRIS DES TROUPES ALLEMANDES(1)	GRIGIO CAMPO	田灰色
H37 43	ウッドブラウン	1735	WOOD BROWN	HOLZBRAUN	BRUN BOIS	MARRONE LEGNO	木棕色
H47 41	レッドブラウン	1533	RED BROWN	ROTBRAUN	MARRON ROUGE	MARRONE ROSSICCO	紅褐、啡紅色
H76 61	焼鐵色	1406	BURNT IRON	GEBR. EISEN	FER BRULE	FERRO BRUCIATO	燒鐵色
H80 54	カーキグリーン	1710	KHAKI GREEN	KHAKIGRÜN	VERT KHAKI	VERDE KAKI	砵礮綠色
H403	ダークイエロー	2099	DARK YELLOW	DUNKEL GELB	JAUNÉ FONCÉ	GIALLO SCURO	暗黃色

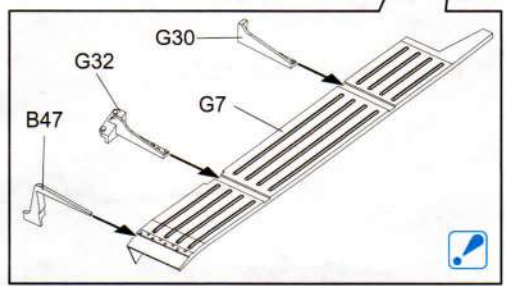
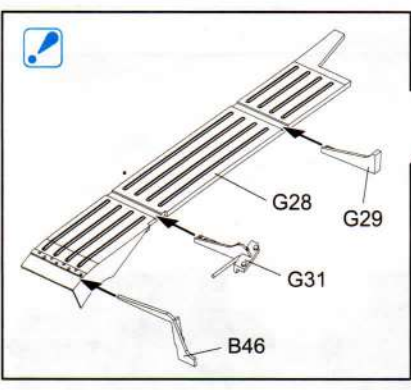


4**5**

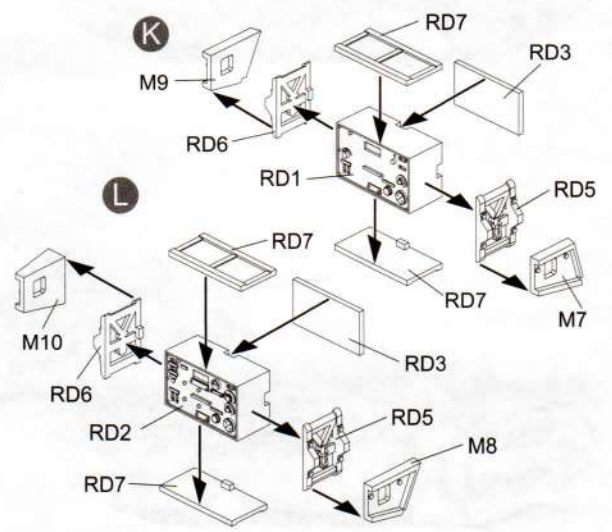
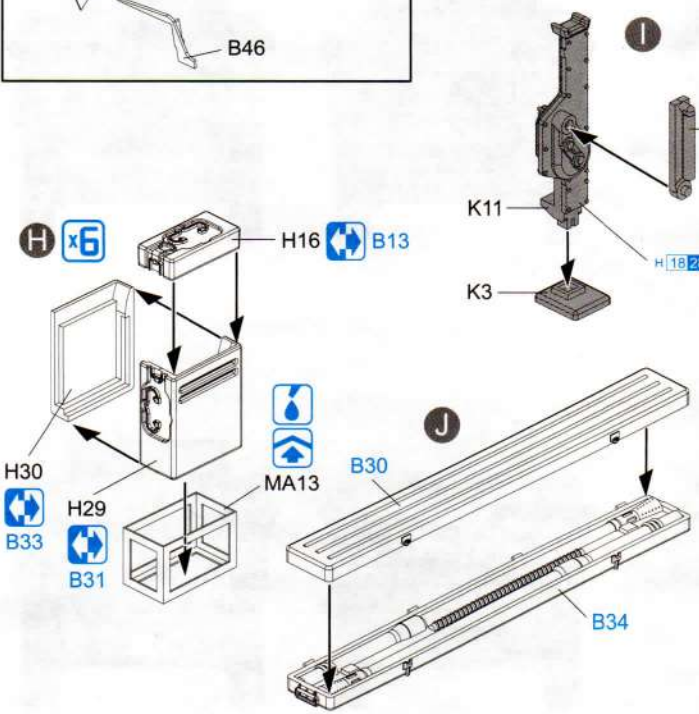
7

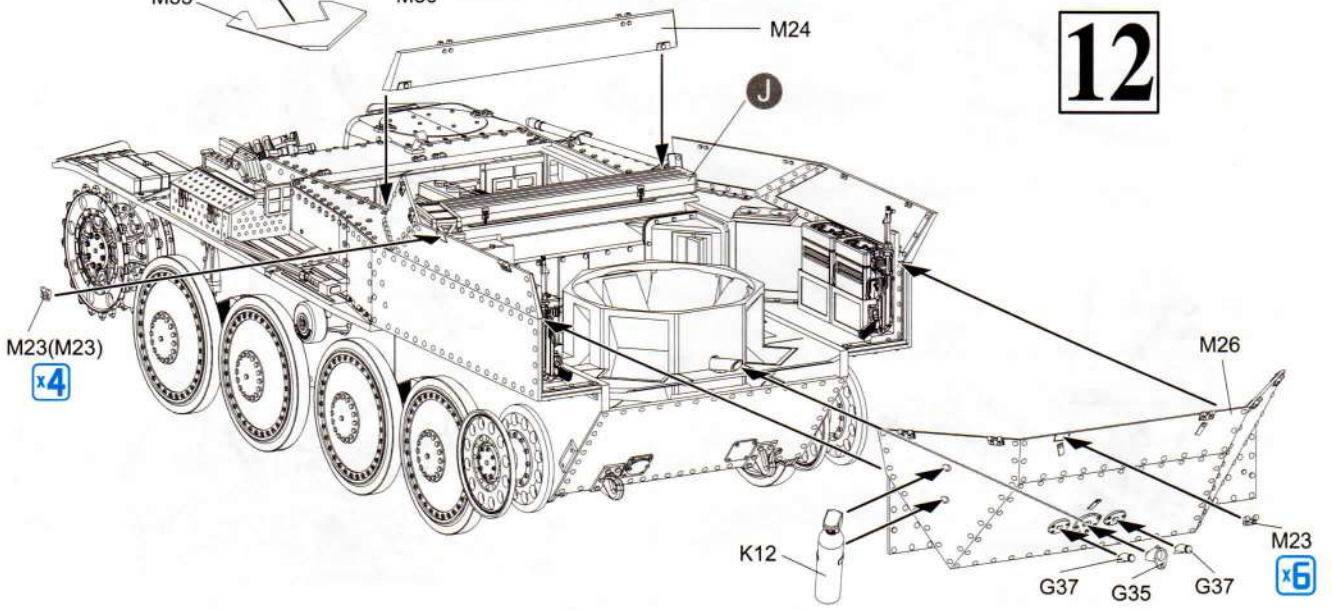
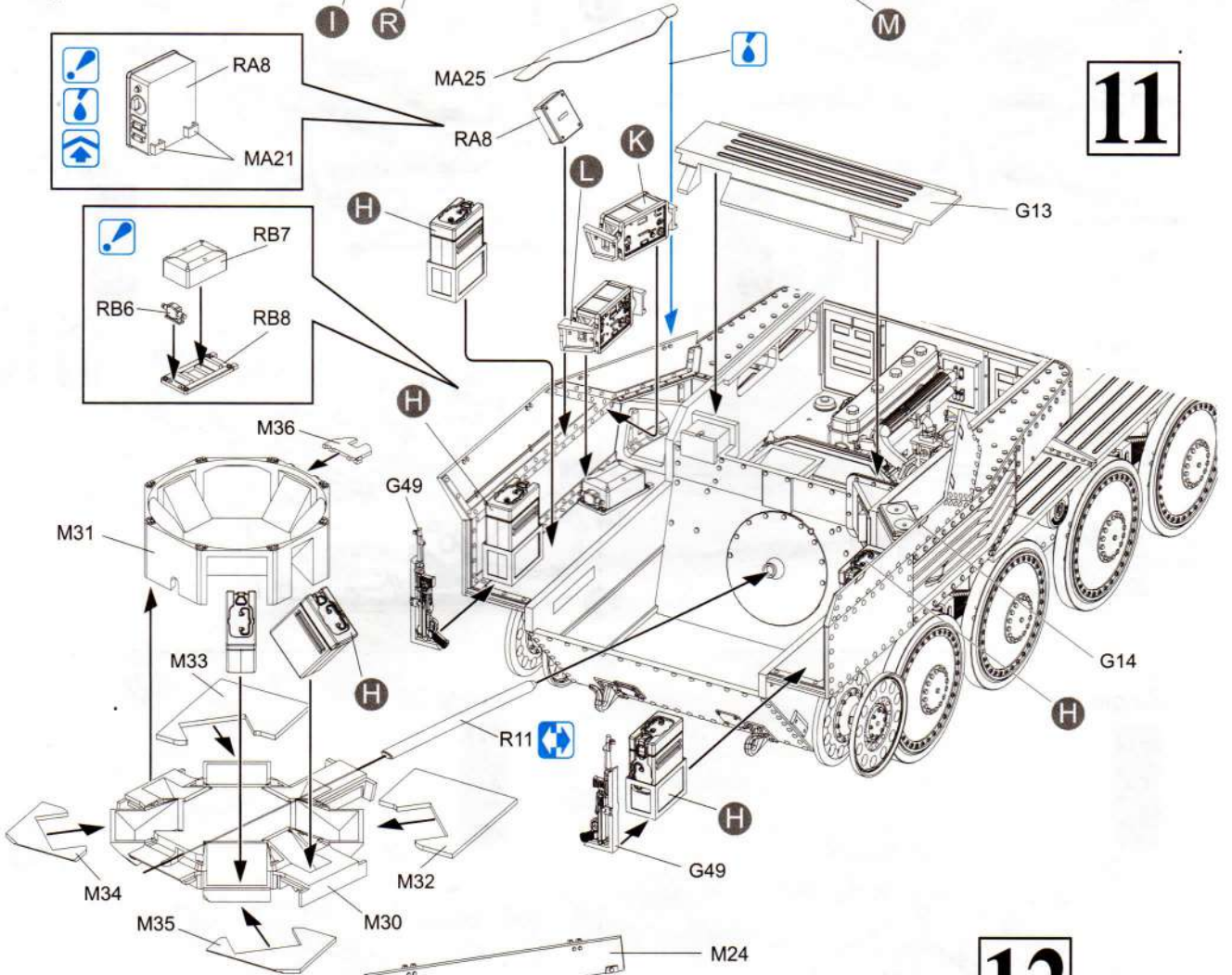
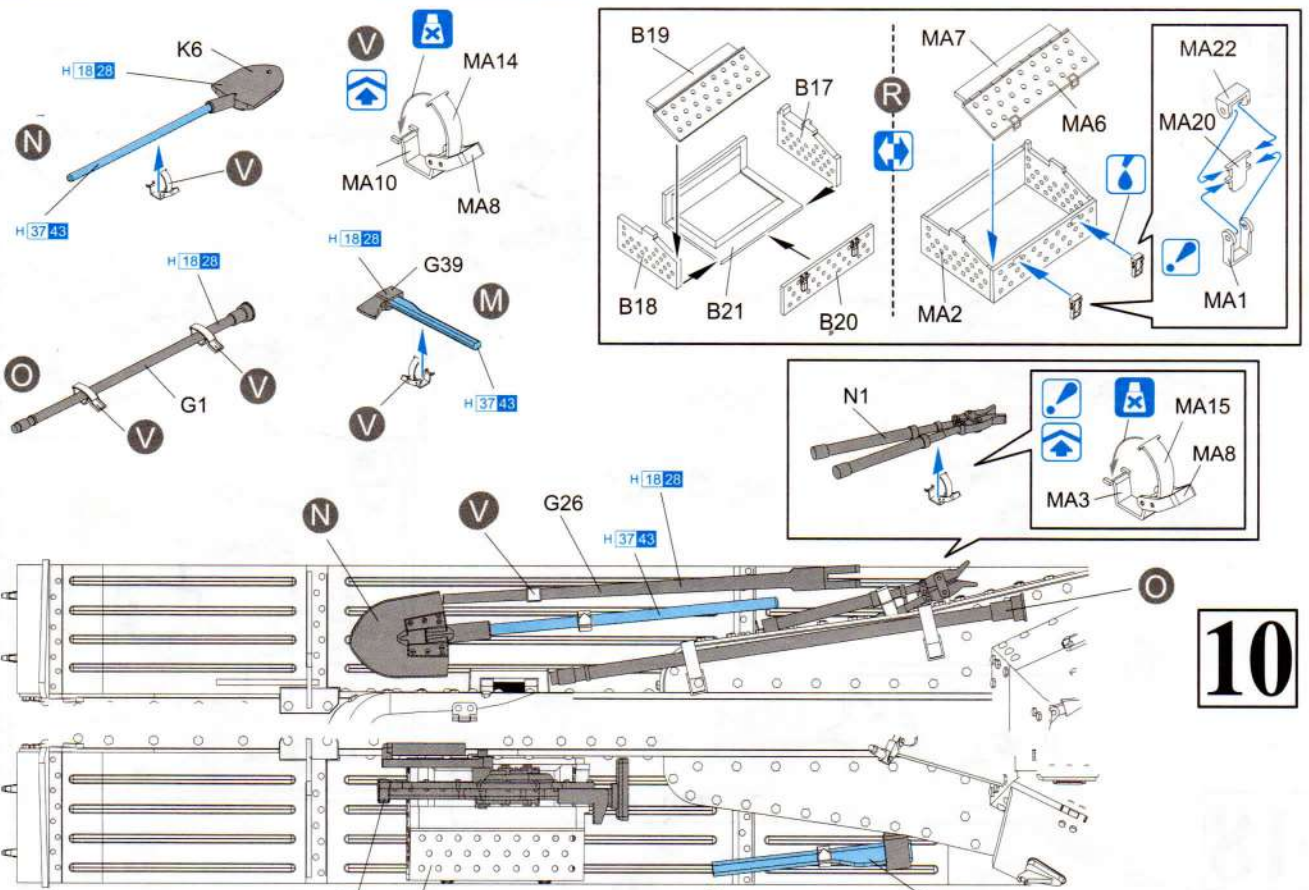


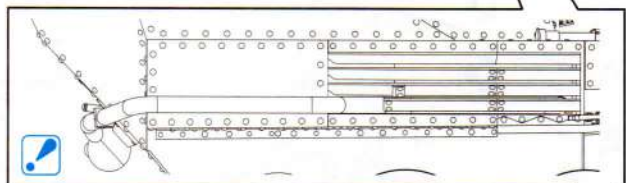
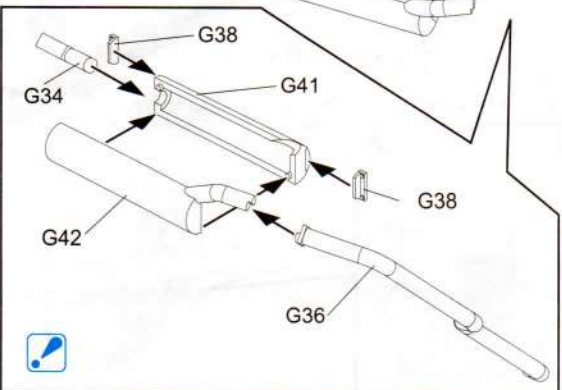
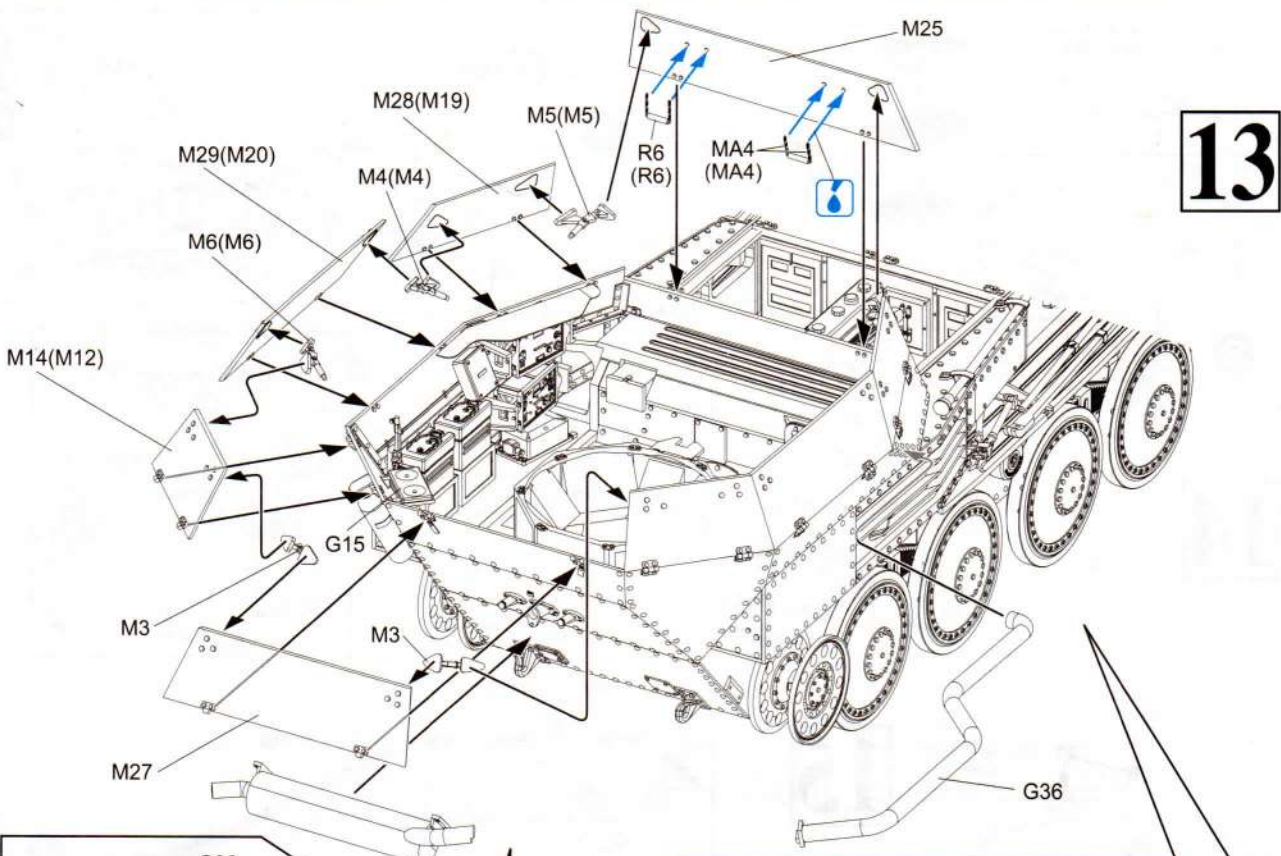
8



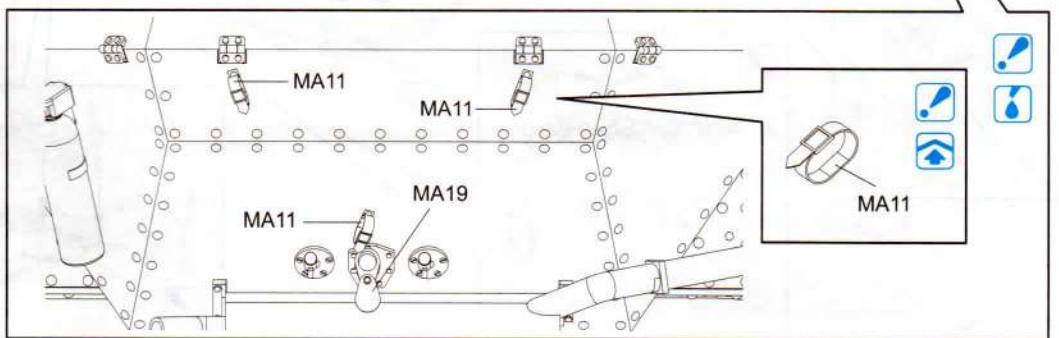
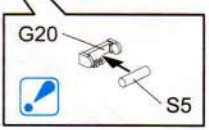
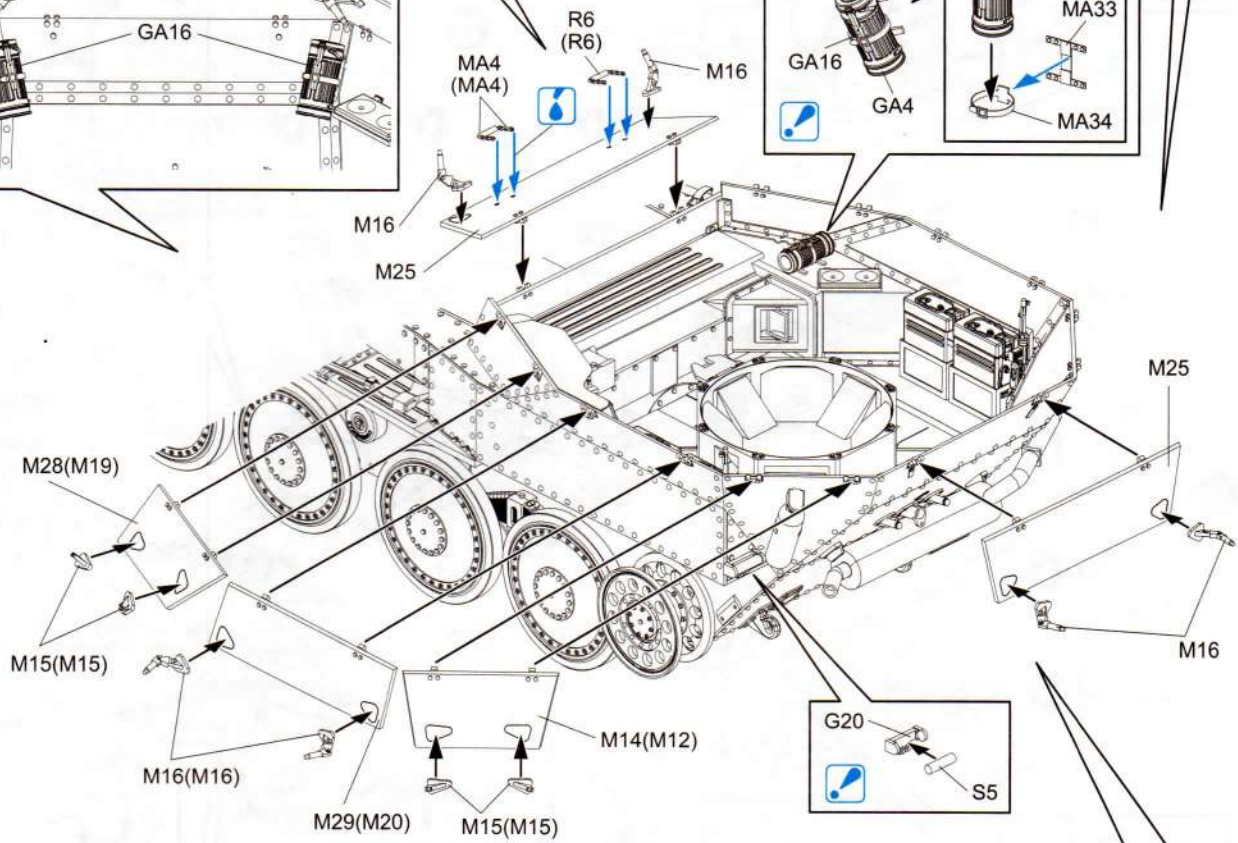
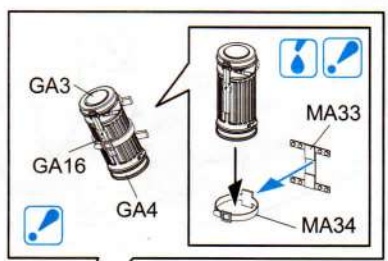
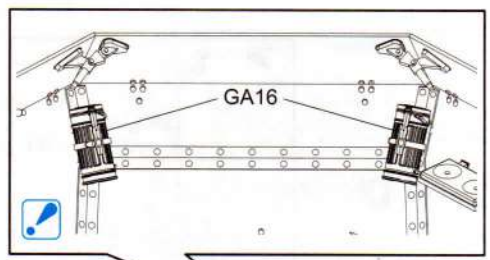
9



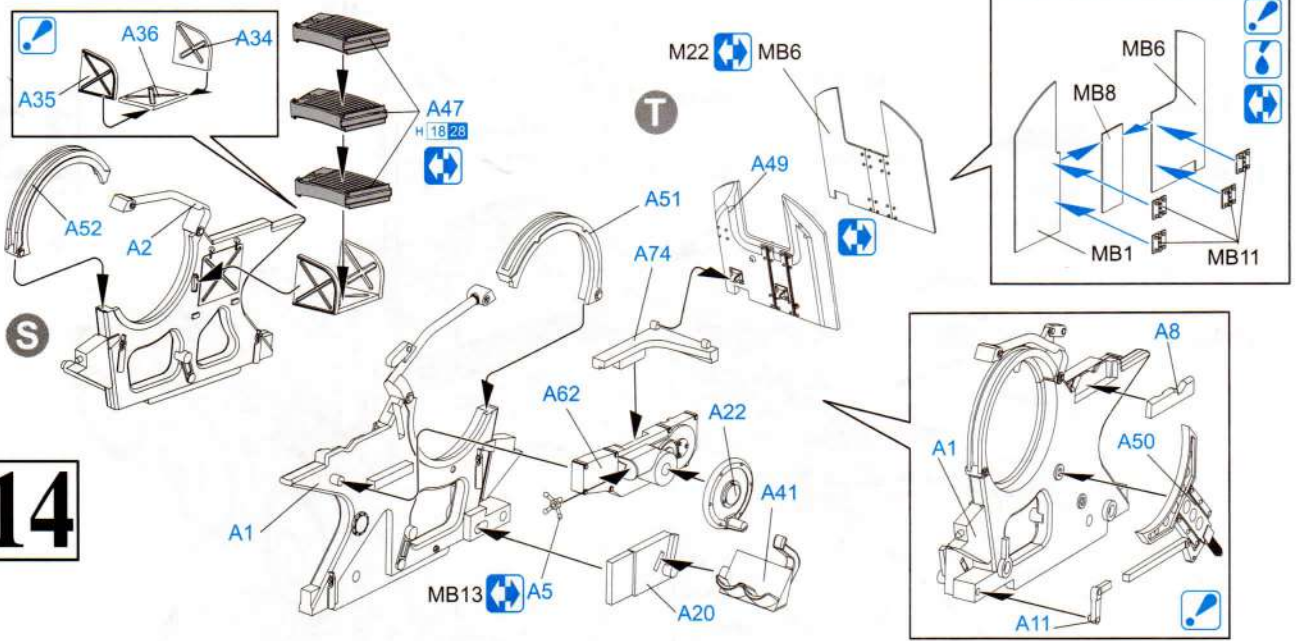




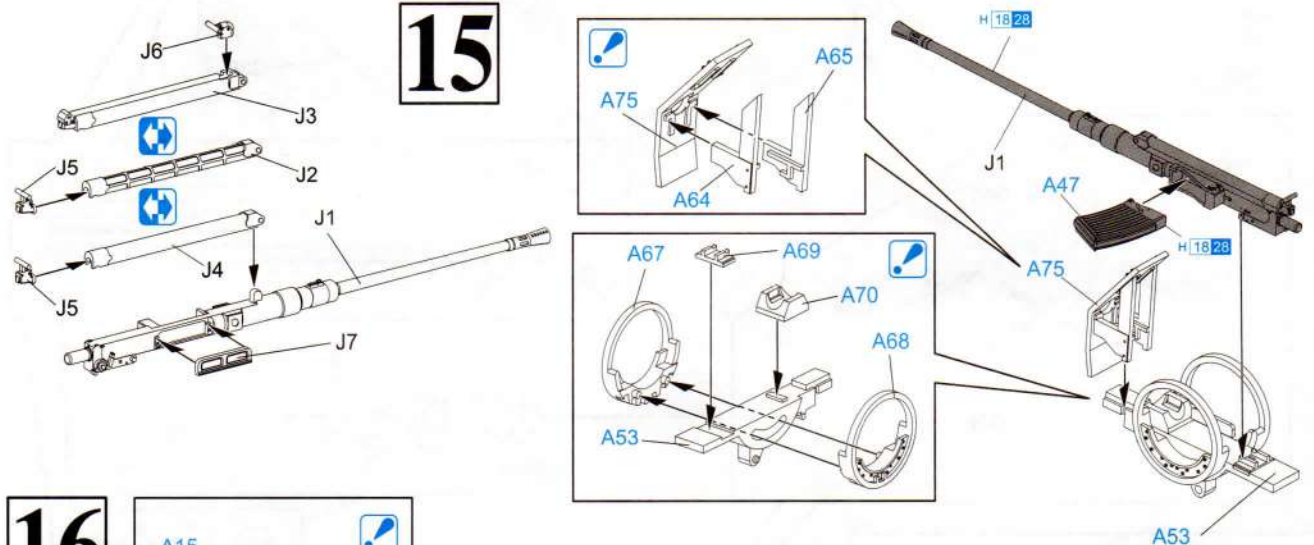
CLOSE
OPEN



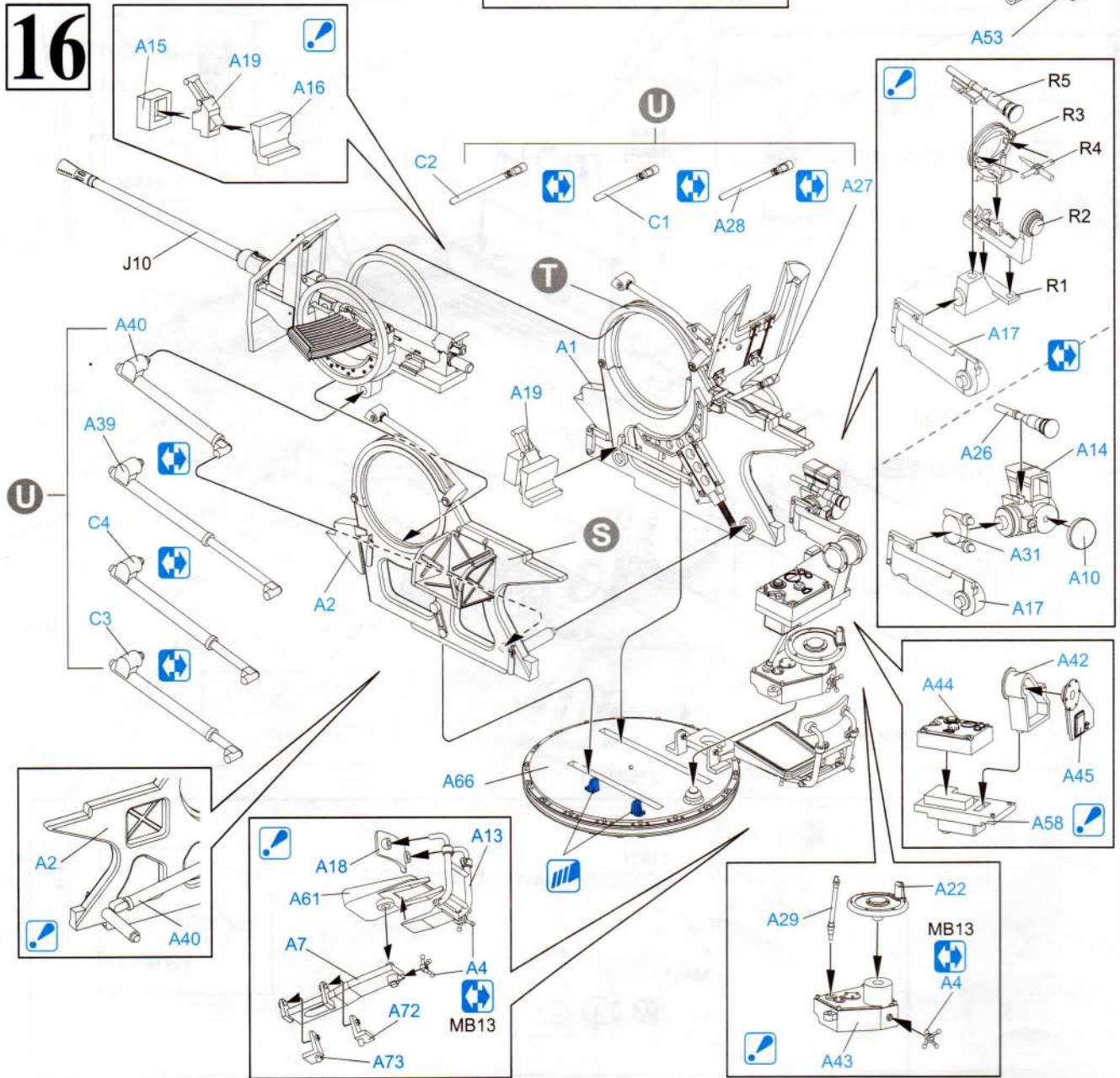
14



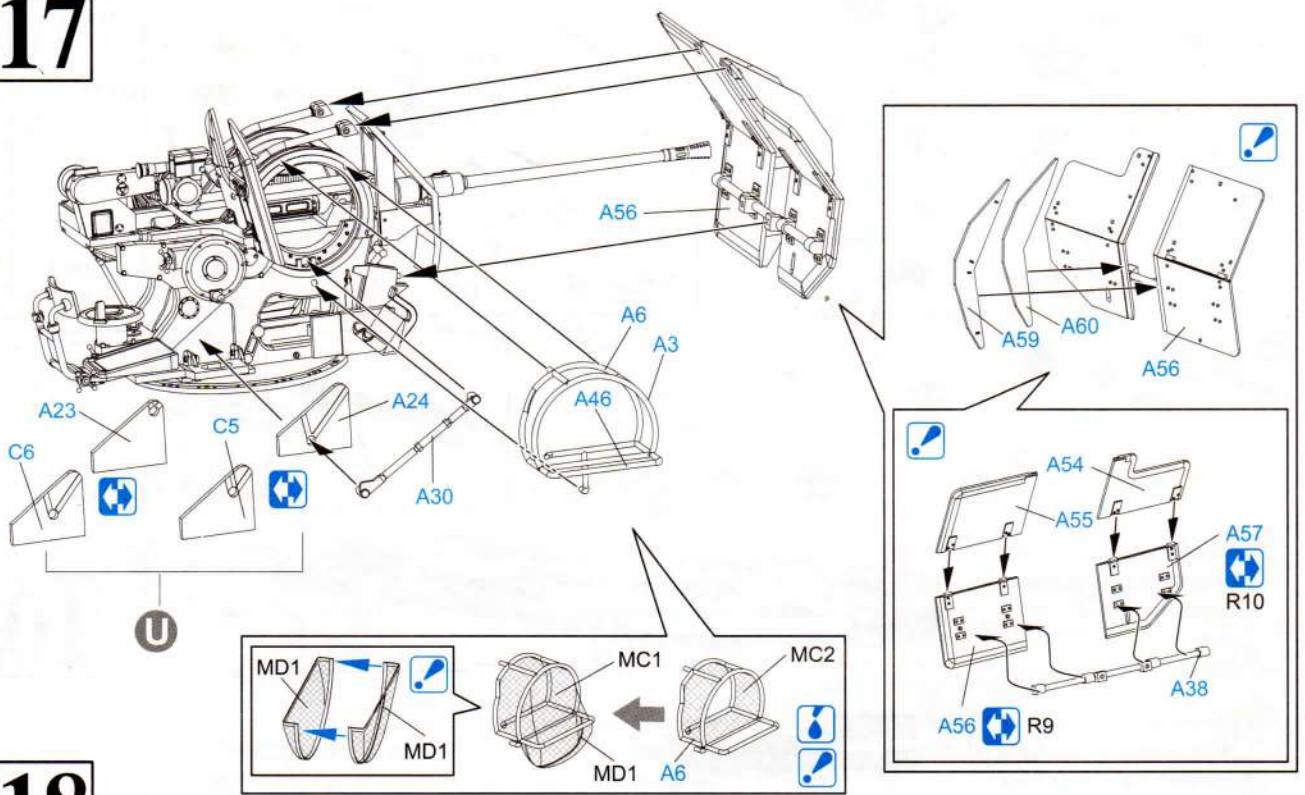
15



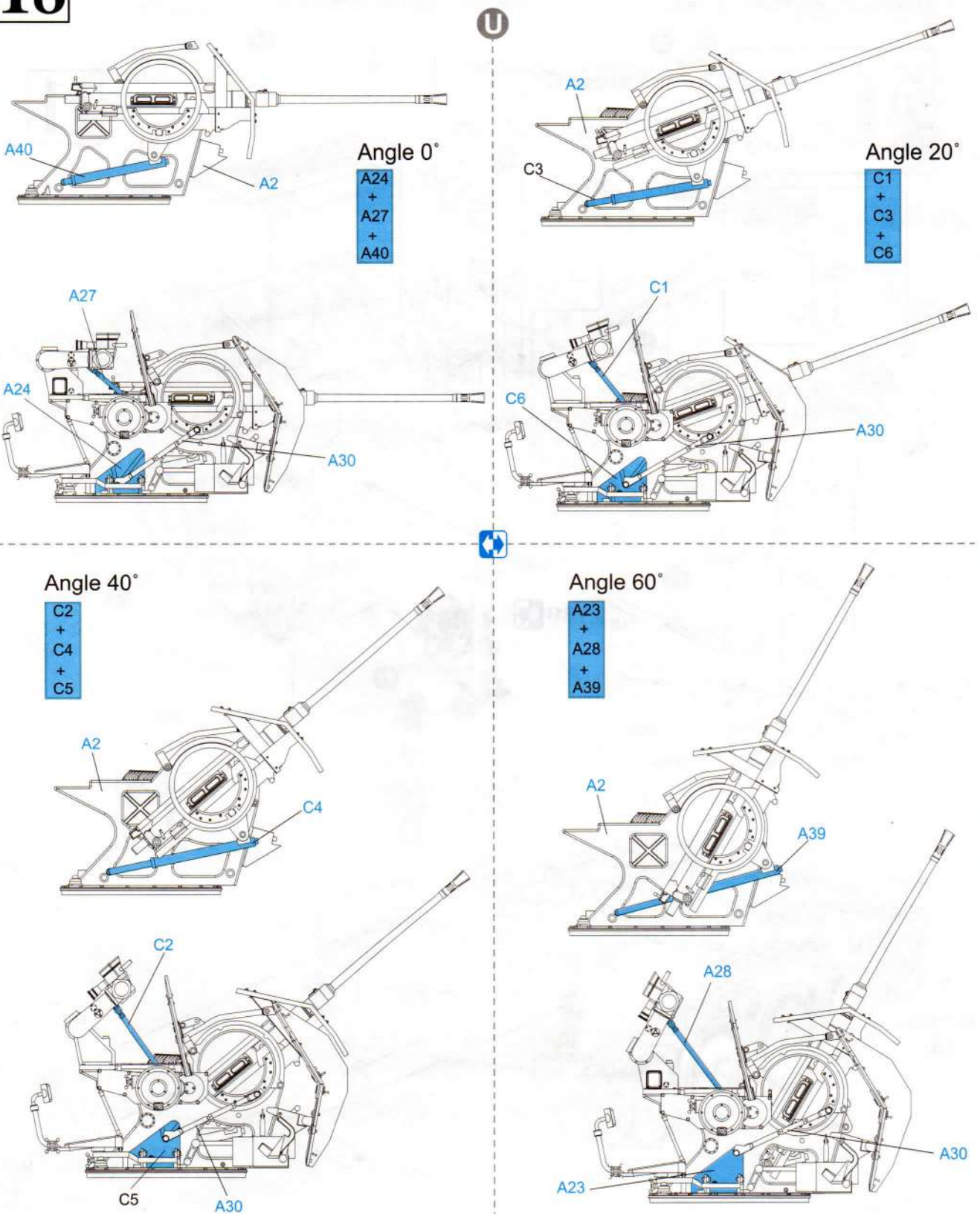
16

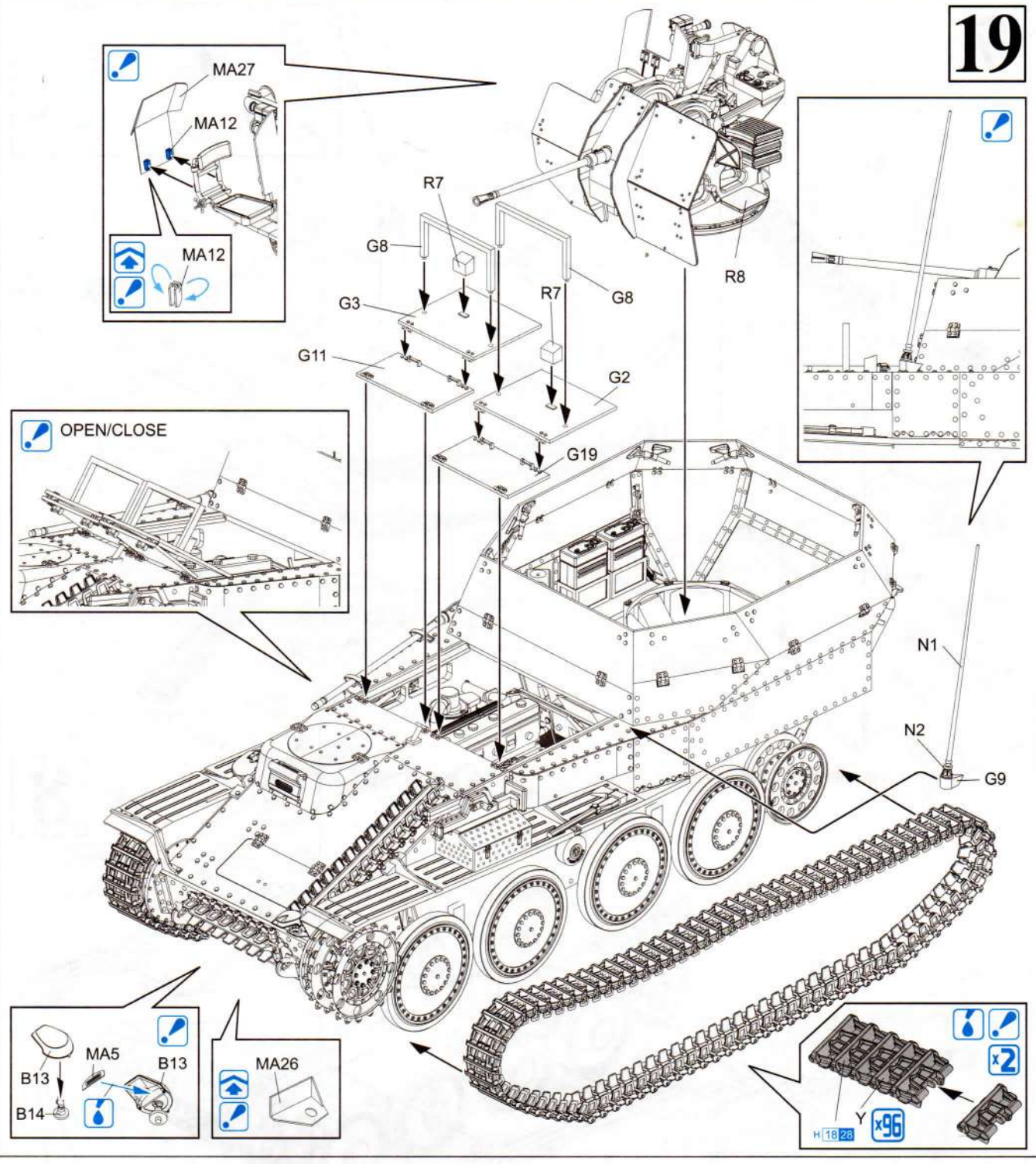


17



18

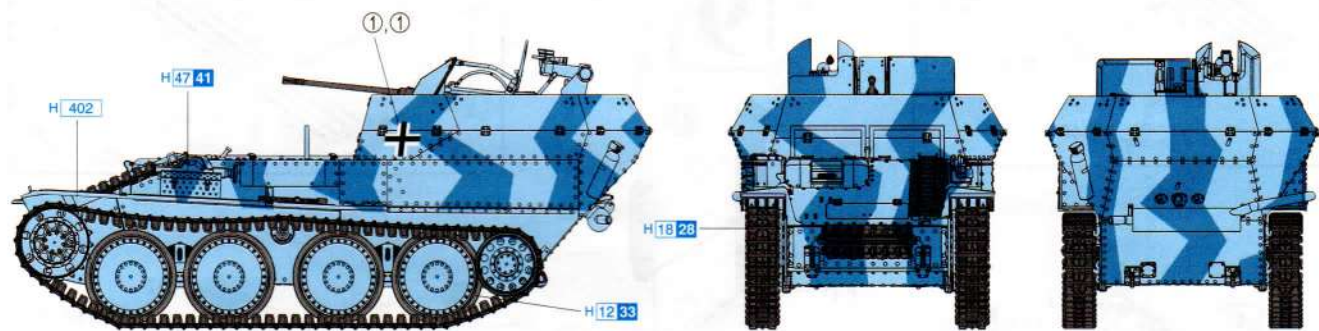




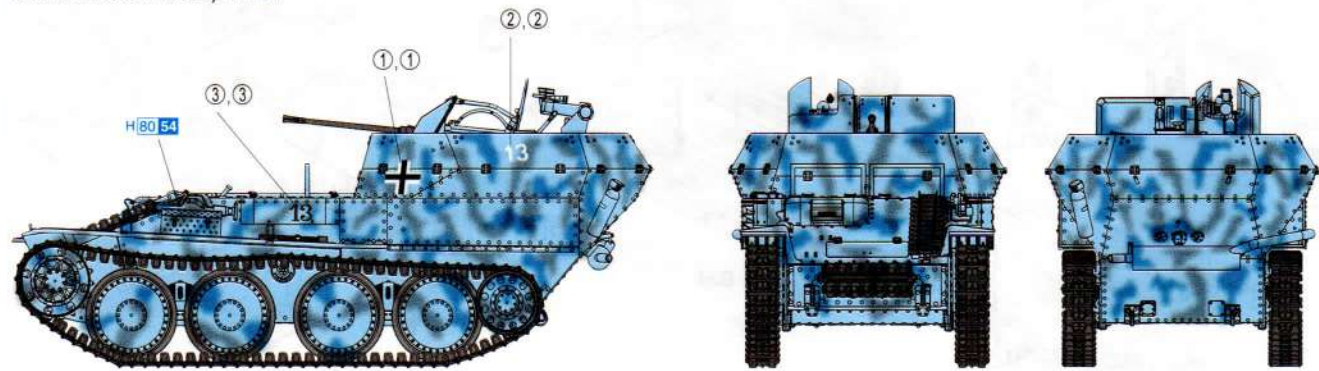
Painting & Markings

マーキング及び塗装図 Markierungen und Bemalung Decoration et Peinture Marchio & Pittura 標記及着色指示

21.Pz.Div., Normandy 1944



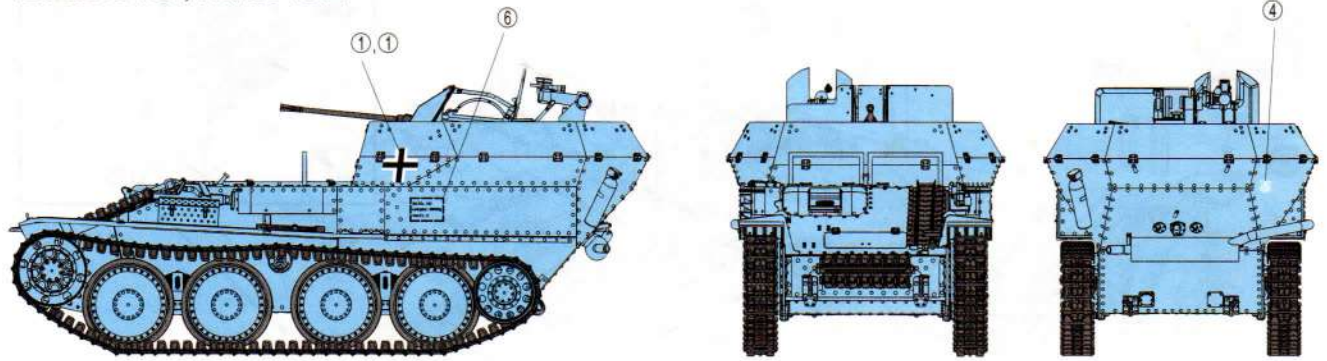
Unidentified Unit, 1944



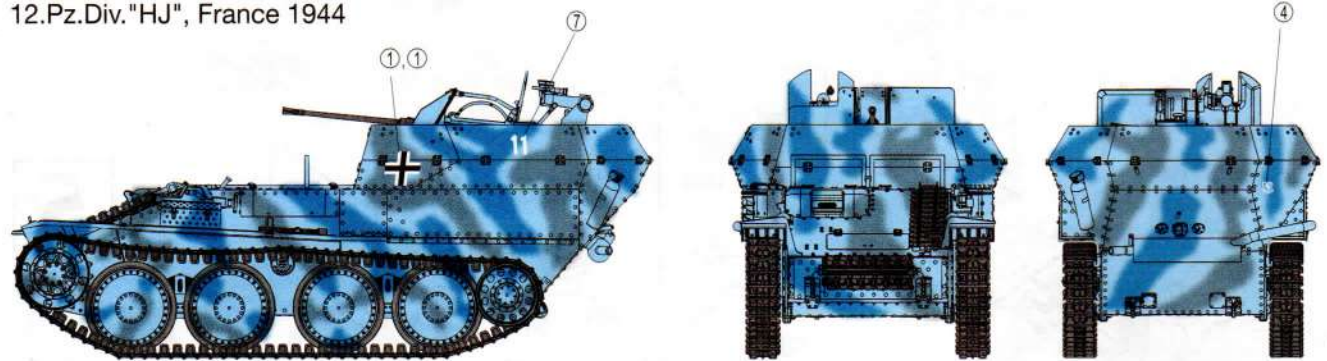
Painting & Markings

マーキング及び塗装図 Markierungen und Bemalung Decoration et Peinture Marchio & Pittura 標貼及着色指示

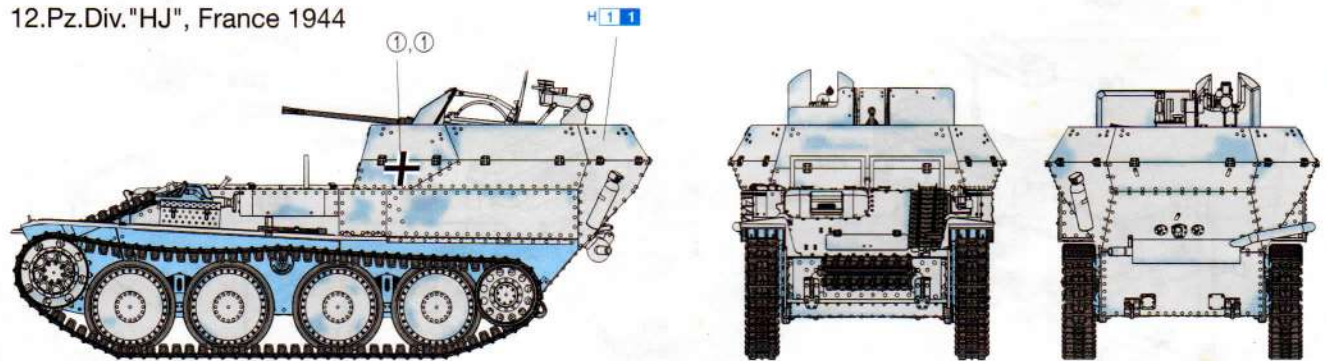
12.Pz.Div."HJ", France 1944



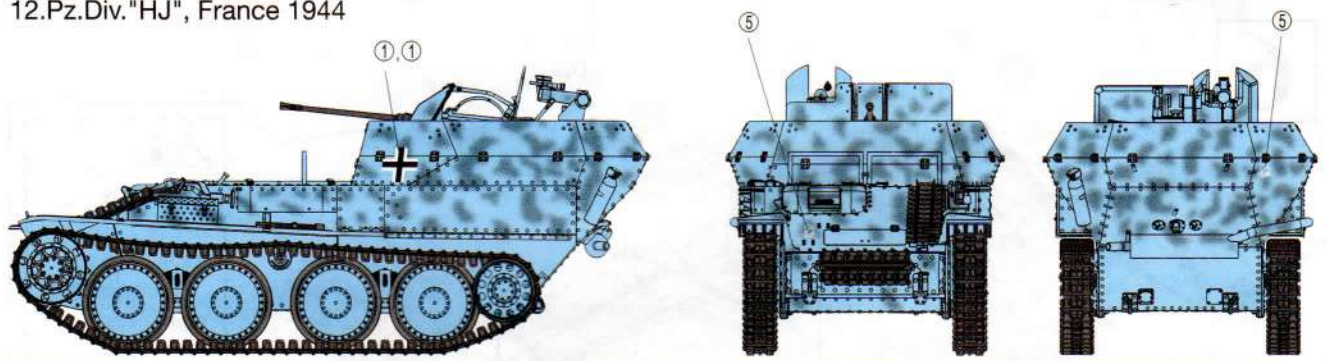
12.Pz.Div."HJ", France 1944



12.Pz.Div."HJ", France 1944



12.Pz.Div."HJ", France 1944



Dragon Europe: c/o Hobby Pro Marketing Ges. m.b.H.
Am Leonhardbach 7, A-8010 GRAZ, AUSTRIA

 **DRAGON** Copyright © 2007
6469-01

■デカールの貼り方

- ① デカールを貼る場所のほこりや汚れを、ぬらした布できれいにふきとってください。
- ② 貼らないデカールを台紙ごとハサミで切りとり、1枚づつ水またはぬるま湯に台紙を下にして20秒くらい浮かべます。
- ③ 水から出したならタオルの上におせ、指先でデカールが動くか確かめた後、貼るところにおいて静かに台紙をずします。
- ④ 指先に少し水をつけて正確な位置にデカールを動かした後、やわらかく、よく水を吸う布でデカールを押さえて内側の水分や気泡を押し出します。
- ⑤ デカールが完全に乾いたら少し水をつけ布で、デカールのまわりのノリをふきとります。

■ Correct Method for Applying Decals

- ① Clean the model surface with a wet cloth.
- ② Cut out each decal design from the decal sheet, and dip it in warm water for 20 seconds.
- ③ Use a fingertip to check if the decal is loose from the backing paper. If so, place it in the proper position on the model, and slide it off the backing paper onto the model.
- ④ Move the design to the exact position with a wet fingertip, and squeeze out any excess water or air bubbles under the decal with a soft cotton cloth.
- ⑤ When the decals are dry, use a wet cloth to gently wipe away any residue left around them.

■ Das Korrekte Aufbringen der Abziehbilder

- ① Oberfläche des Modells mit feuchtem Tuch reinigen.
- ② Jedes Motiv einzeln aus dem Bogen herausschneiden und 20 Sekunden in warmes Wasser tauchen.
- ③ Mit dem Finger prüfen, ob sich das Motiv vom Trägerpapier gelöst hat. Wenn ja, so schieben Sie es vom Papier weg und seine genaue Position auf dem Modell.
- ④ Korrigieren Sie die exakte Lage mit nasser Fingerspitze und drücken Sie Wasserblasen unter dem Abziehbild mit einem weichen Baumwolltuch weg.
- ⑤ Entfernen Sie beim Antrocknen der Abziehbilder die Klebemittelränder mit einem feuchten Tuch.

■ Modo esatto per applicare le decalcomanie

- ① Pulire la superficie del modello con un panno umido.
- ② Ritagliare ciascun disegno dal foglio decalcomanie e immergerli in acqua calda per 20 secondi.
- ③ Controllare col polpastrello se il disegno è allentato sulla base di carta. In questo caso, applicarlo nella esatta posizione sul modello facendolo scivolare dalla base di carta.
- ④ Spostare il disegno nella esatta posizione mediante il polpastrello umido, quindi togliere l'acqua in eccesso e le bolle d'aria sotto la decalcomanie mediante un panno soffice di cotone.
- ⑤ Quando la decalcomanie sono asciutte, togliere con un panno umido l'eccesso di colla intorno alla decalcomania stessa.

■ Comment appliquer les décalcomanies correctement

- ① Nettoyer la surface du modèle avec un chiffon humide.
- ② Découper chaque décalcomanie de sa feuille de papier et la plonger dans l'eau tiède pendant vingt secondes.
- ③ Vérifier avec le bout du doigt si le dessin se détache de son papier-support. Si oui, le positionner à l'endroit choisi sur le modèle et retirer doucement le papier-support.
- ④ Positionner la décalcomanie correctement avec un doigt humide et éponger tout restant d'eau et toutes bulles d'air sous la décalcomanie avec un chiffon doux.
- ⑤ Quand les décalcomanies sont sèche, détacher le colle autour des décalcomanies avec un chiffon humide.

■ 貼上水印標貼的正確方法：

- ① 用濕布抹乾淨模型表面。
- ② 按照各標貼的形狀從標貼紙上切出，浸到溫水之中約20秒。
- ③ 用指尖試行觸摸以確定標貼是否已脫離底紙，如果屬實，則把標貼連底紙放到模型表面的適當位置上，小心地將底紙移去，把標貼留在模型表面。
- ④ 以濕水的指尖把標貼移到正確的位置上，再用柔軟的綿質布料把標貼輕壓，以擠出標貼底下的氣泡和水分。
- ⑤ 標貼乾後，用濕布輕拭標貼及其附近的模型表面，以洗去可能殘留在標貼附近的多餘膠水，確保效果完美。

Flakpanzer 38(t) Sd.Kfz.140 auf (Sf) Ausf.L

"Gepard"

Smart
Kit

★ Inside Story

The design of the Flakpanzer 38(t) included an open-topped fighting compartment in which a 2cm Flak 38 anti-aircraft cannon was installed. Because of such an arrangement, this kit involved a lot of new tooling and design work, especially when it came to the interior of the fighting compartment. After diligent and intensive research by its designers, Dragon presents this kit with maximum detail.

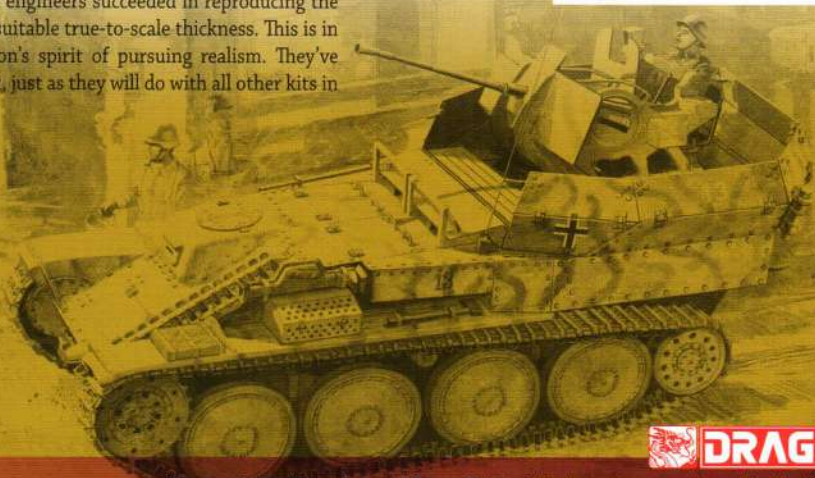
Crossing continents

The fighting compartment is one of the most dominant features on this vehicle, and its armor is therefore especially important for the vehicle's overall appearance. Dragon's design team carefully studied the dimensions and details pertaining to each piece of armor. They even flew across continents to personally measure the real vehicle to ensure faithfulness to the original vehicle, in addition to carrying out serious research on existing documents and historical photos. The result of their efforts was the birth of a kit with high level of realism.



Slimming treatment

The fighting compartment armor in this kit is specially designed to be ultra-thin so as to realistically represent the original armor plates on the actual vehicle. After repeated molding tests, the engineers succeeded in reproducing the armor plates in a suitable true-to-scale thickness. This is in accord with Dragon's spirit of pursuing realism. They've done so on this kit, just as they will do with all other kits in the future!



 **DRAGON**

6469

For more inside stories, please visit Dragon Models at: <http://www.dragon-models.com/html/insidestory.htm>

Armor plates face up to reality

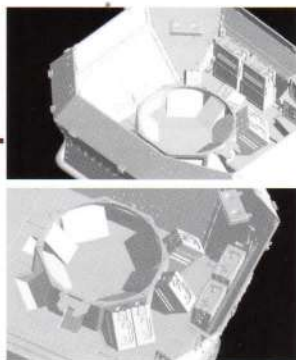
Not only was the external appearance of the Flakpanzer 38(t) carefully considered, but the interior also received the royal treatment too! On the rear surface of the fighting compartment armor plates there are reinforcing strips. These braces are fixed to the armor plates by bolts. All these details - how they appear and where they are located - were carefully researched by Dragon's designers. And the final product is small fighting compartment armor plates rendered with exquisite detail on both surfaces!



Storage solutions

The layout of the fighting compartment interior is another important element in the Flakpanzer 38(t). It was equipped with a 2cm Flak 38 cannon as its primary weapon, which was installed on a specially designed flak gun mount in the center of the fighting compartment. This means it has a totally different interior layout from other 38(t) variants.

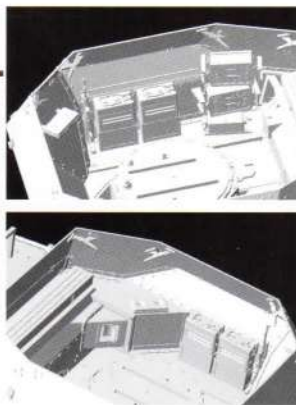
Not only is the gun mount realistically reproduced, but so too are the locations of the ammunition boxes. These ammo boxes had designated places where they were stored - e.g. around the flak gun mount and on the sides of the fighting compartment. These specific locations have been carefully studied to prove they actually are the correct locations, and thus the kit faithfully represents the configuration of the real vehicle.



Better visibility

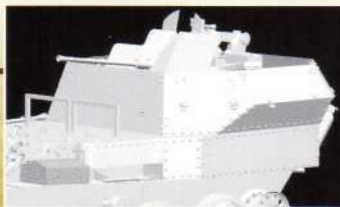
Other interior components like the radio, crew seats and barrel case were also researched with care to determine their exact locations in the fighting compartment. Whether it's fine detail on the seats or selecting where to put the MG, each item is backed and supported by detailed research.

The driver's controls, including the transmission and engine, are also included in the hull interior. Of course, most of these components are completely hidden when the vehicle is modeled with hatches shut. However, Dragon chose to offer every modeler maximum detail and maximum choice in how to display their Flakpanzer 38(t). Therefore, no matter whether a part is visible or non-visible, the interior of this vehicle lacks nothing!



Rivet counters

This Flakpanzer 38(t), like other Czech-designed 38(t)s, is dotted in hundreds of bolts and rivets. Each bolt head or rivet head is tiny, but nonetheless important! In order to truly represent them on the vehicle, their shape and locations were all counted and verified with truly meticulous care. This type of work is time-consuming and tedious, but is absolutely worth it if a realistic kit is to reach the hands of modelers!



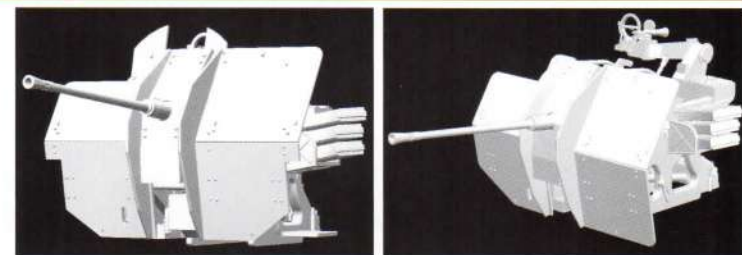
Getting enough air

On the side of the vehicle, there are ventilation intakes installed on the hull sides. These components seem relatively simple with just a few bolts visible on them. But there was a hidden challenge! The ventilation covers have a curved profile that is barely noticeable. If viewers give it just a cursory glance, they'll probably imagine it has a straight profile. Dragon's designers carefully studied the shape and reproduced the curves correctly so that these ventilation intakes are as close as possible to the real object.



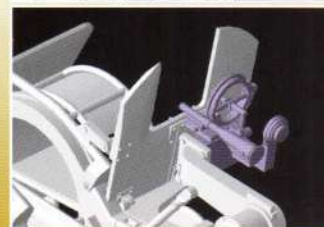
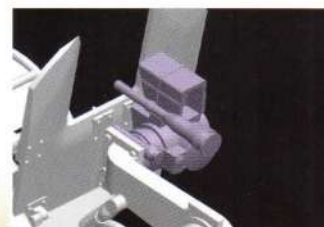
Gun and shield

New components have been introduced to Dragon's well-known 2cm Flak 38 cannon installed in the fighting compartment of the Flakpanzer 38(t). One of them appears on the gun shield. In the developmental phase of this kit, Dragon's designers noticed the 2cm Flak 38 had a modification made to the gun shield. This variation is on the bottom part of the shield. Therefore, Dragon responded by deciding to include this alternative design in the kit to provide modelers with more choice. Now one gun has one shield, but two options are offered!



Improving your sight

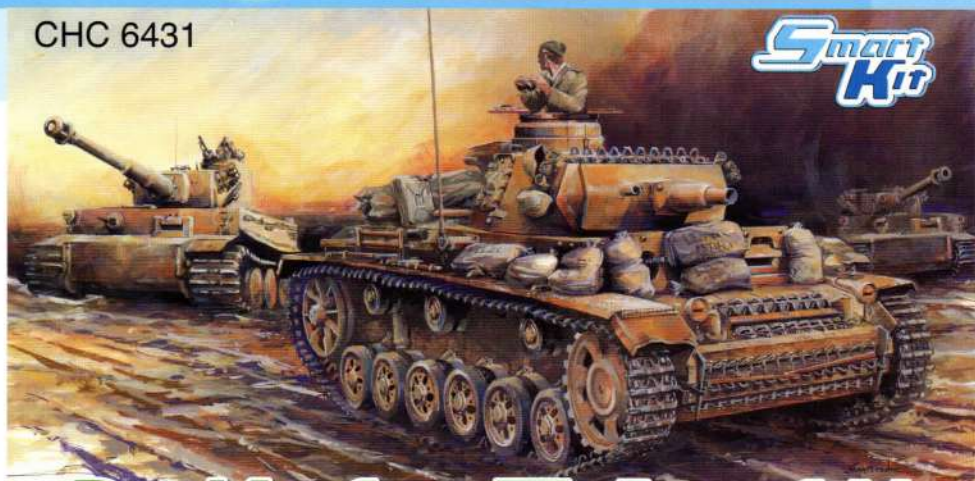
Another new component for the 2cm Flak 38 cannon is the gun sight. Dragon's designers verified there is also a variation concerning the type of gun sight installed on this main armament of the Flakpanzer 38(t). This anomaly is evident in only a few original sources, which suggests this variation is rare but also that it did in fact exist! For this reason, the designers delved deeply into every piece of reference material they could find - from historical photographs to drawing plans. Finally, the correct shape of the gun sight was confirmed and it is now included in this kit as an option.



DRAGON USA
Online
www.DragonUSAonline.com

CHC 6431

Smart Kit



Pz.Kpfw. III Ausf. N

sPz.Abt. 501 Afrika

\$41.99

cyber-hobby.com

Powered by

DRAGON

Available at

www.DragonUSAonline.com

**FREE
SHIPPING**

on orders over \$50.00

Place your order online at www.DragonUSAonline.com or
Call **1800-980-0322** to place your order by phone.

AD HERE: info@dragon-models.com