

# Russian Kamaz "Typhoon-VDV" K-4386

Mine-Protected Armoured Vehicle with 30 mm 2A42 autocannon

俄罗斯 Kamaz 台风 -vdv K-4386 轮式防雷装甲车 30mm 2A42 机关炮型 ロシアカマズタイフーン -vdv K-4386 機雷装甲車両 30mm 2A42 機関銃型



## 制作前请仔细阅读以下内容

### Read carefully before assembly

- 1.本产品为比例拼装模型，需要使用模型专用制作工具自行组装和上色。
  - 2.低年龄制作者制作时需要成人看护，看护人需仔细阅读说明书。
  - 3.使用水口剪或刀片小心切下所有塑胶零件和蚀刻片零件，不要遗失小零件。
  - 4.请勿在火源附近使用胶水或油漆，并且打开窗户保持空气流通。
  - 5.14周岁以下的儿童使用时需要成人看护。
- 1.The product is a plastic kit, please use the exclusive tools to assemble and paint.
  - 2.A supervising adult should also read the instructions if a child assembles the model.
  - 3.Cut the all parts off carefully and remove the waste parts into the garbage can.
  - 4.When you use glue or paint, do not use near a naked flame, and use in a well-ventilated room.
  - 5.Adult supervised when assembled by children under 14 years old.



切除  
cut/remove



瞬间接着剂  
instant glue



可选部分  
optional



不涂胶水  
no cement



制作2组  
make 2 pcs



钻孔  
bore a hole



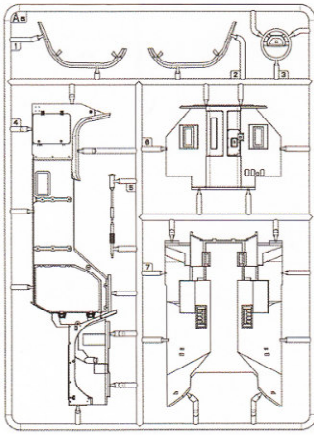
对侧同样  
Same on the  
opposite side

## 水贴使用说明

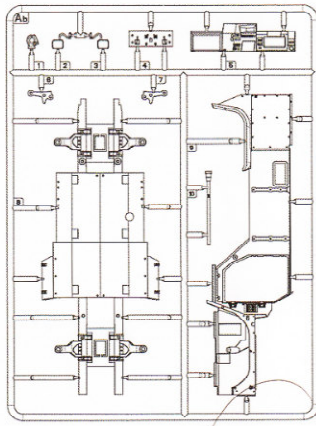
### Decal application

- 1.把图案从水贴上剪下，放入40°C的温水中浸泡10秒。
  - 2.将图案放在干净的布上。
  - 3.拿上图案纸板，手指蘸水将图案移到适当的位置。
  - 4.用软布轻压图案直到水干，气泡消失。
- 1.Cut off decal from the decal paper and it into the warm water 40°C for 10seconds.
  - 2.Take the decal from the water and put it on a piece of clean cloth.
  - 3.Remove the decal slowly from the paper to the targeted location by a wet finger.
  - 4.Use a piece of dry and soft cloth to press it gently on the decal until it getting dry and no bubble existing.

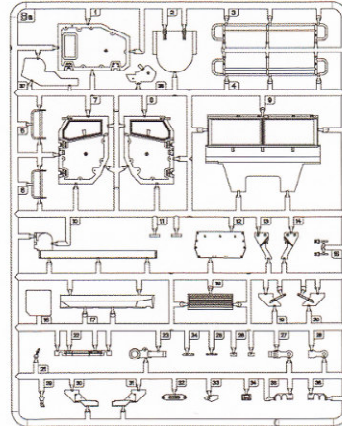




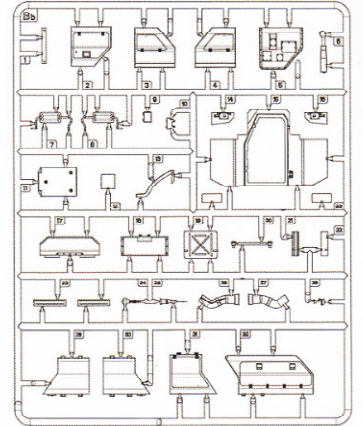
Aax1



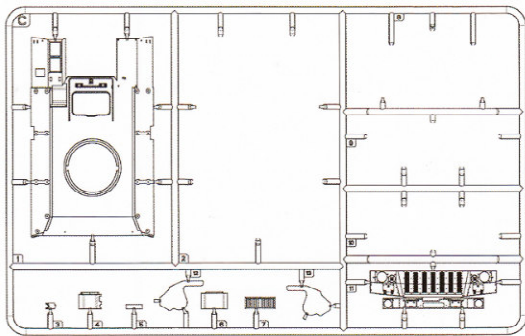
Abx1



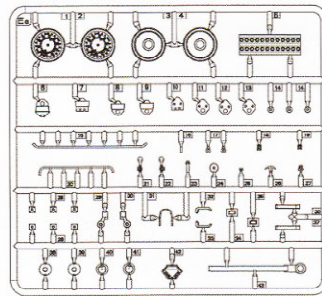
Bax1



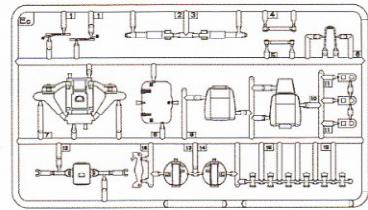
Bbx1



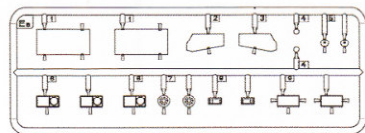
Cx1



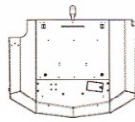
Eex2



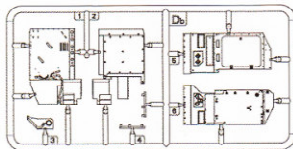
Ecx2



Eax1



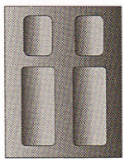
Dbx1



Ddx1

**RPG** RPG-MODEL  
35002  
TYPHOON VDV K-4386

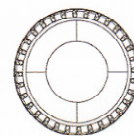
①	X337кV 116	④	
②	X337кV 116	⑤	
③	X621кV 116		
	X621кV 116		
	B082кC 16		
	B082кC 16		



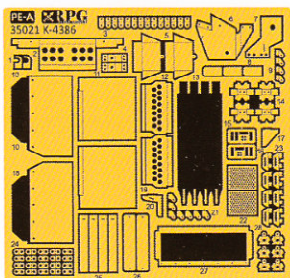
Reflective stickers



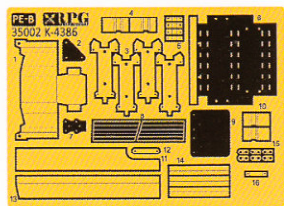
Coated stickers



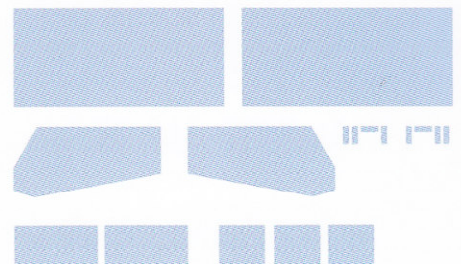
Tiresx4



PE-A



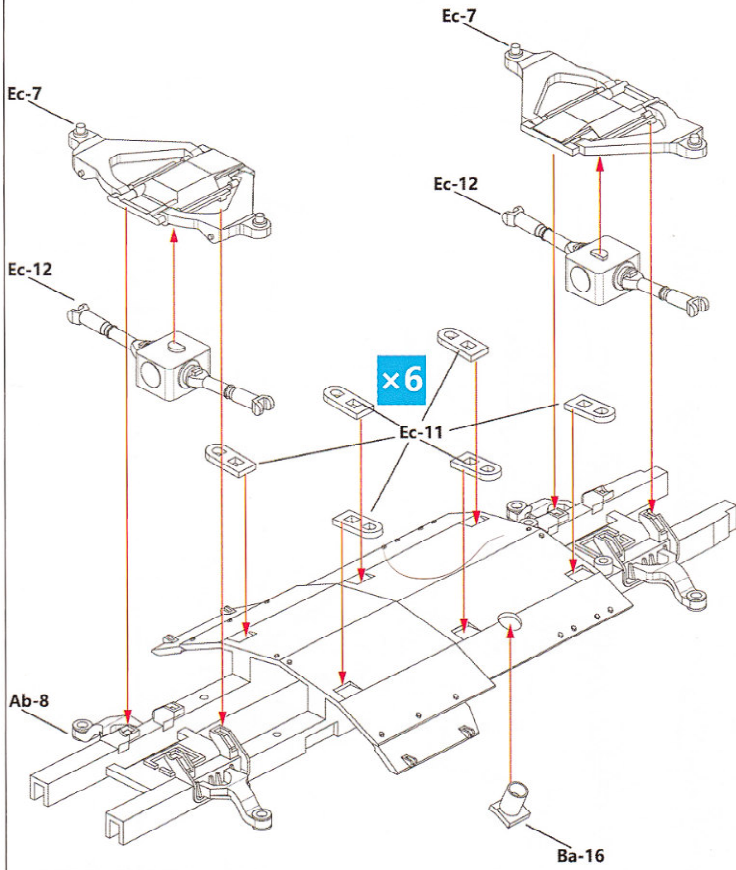
PE-B



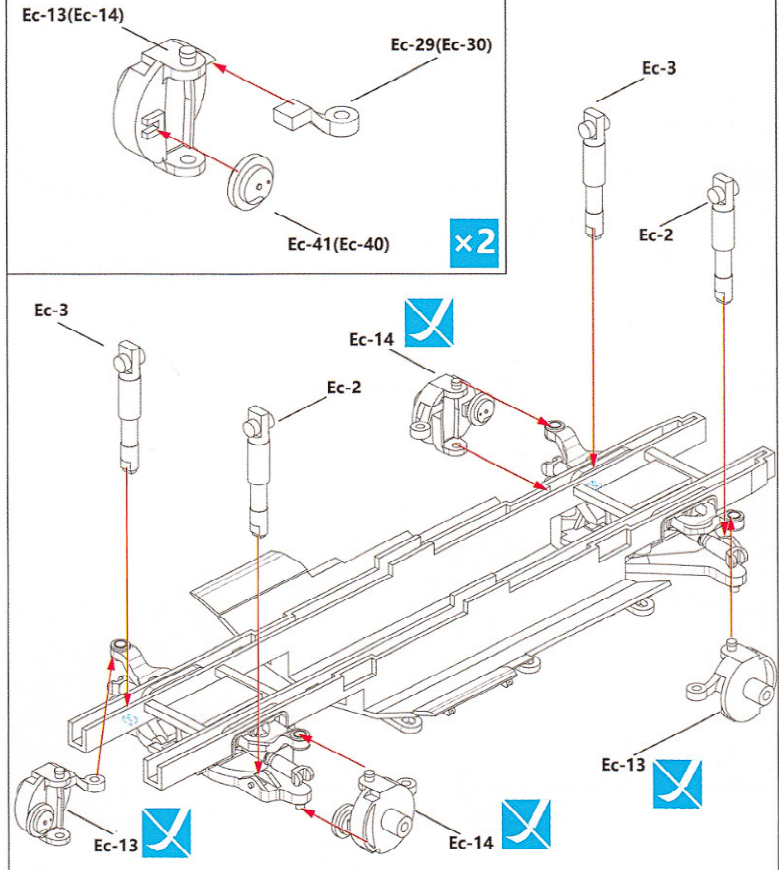
FLEXIBLE MASK DIE-CUT BY GALAXY MODEL



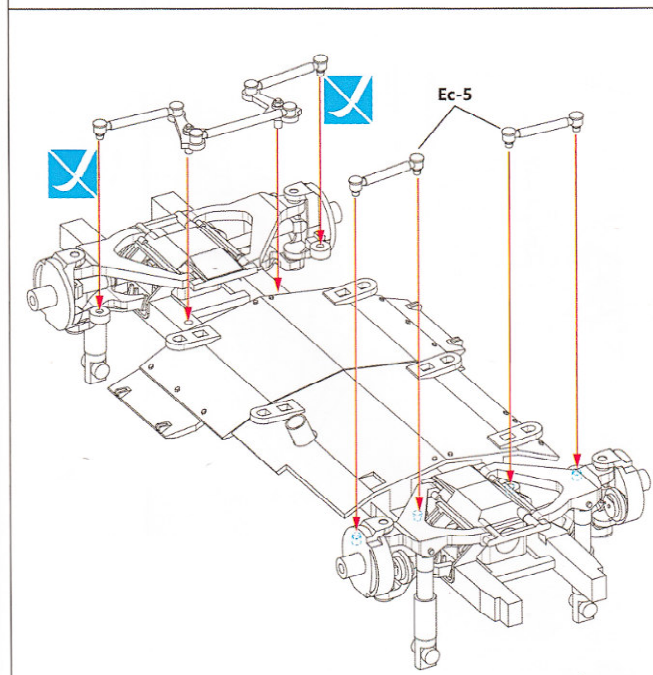
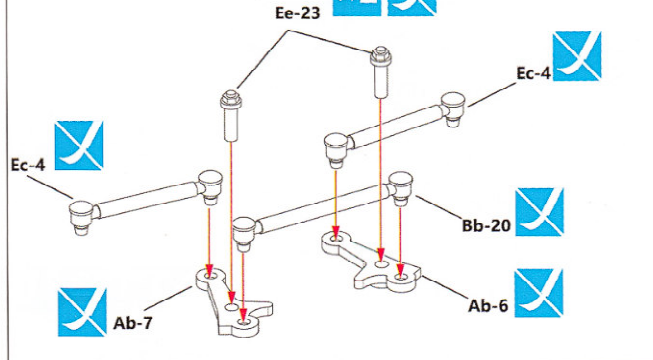
**01** 



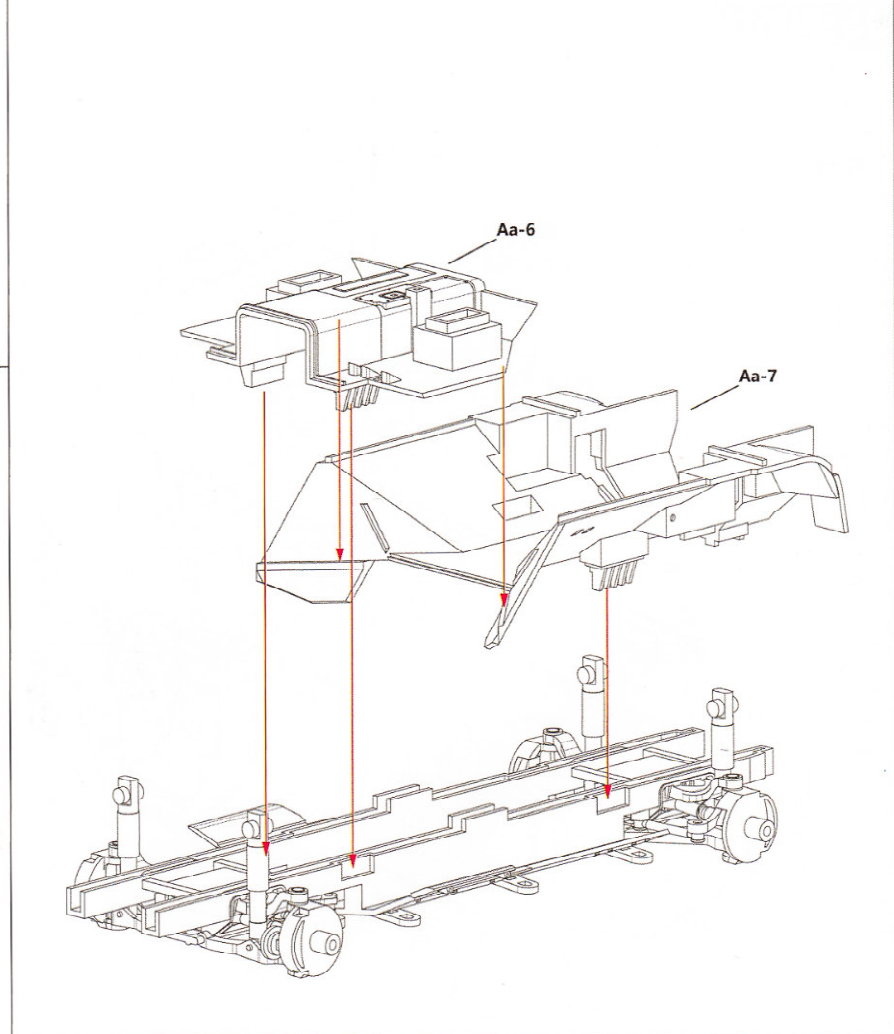
**02** 

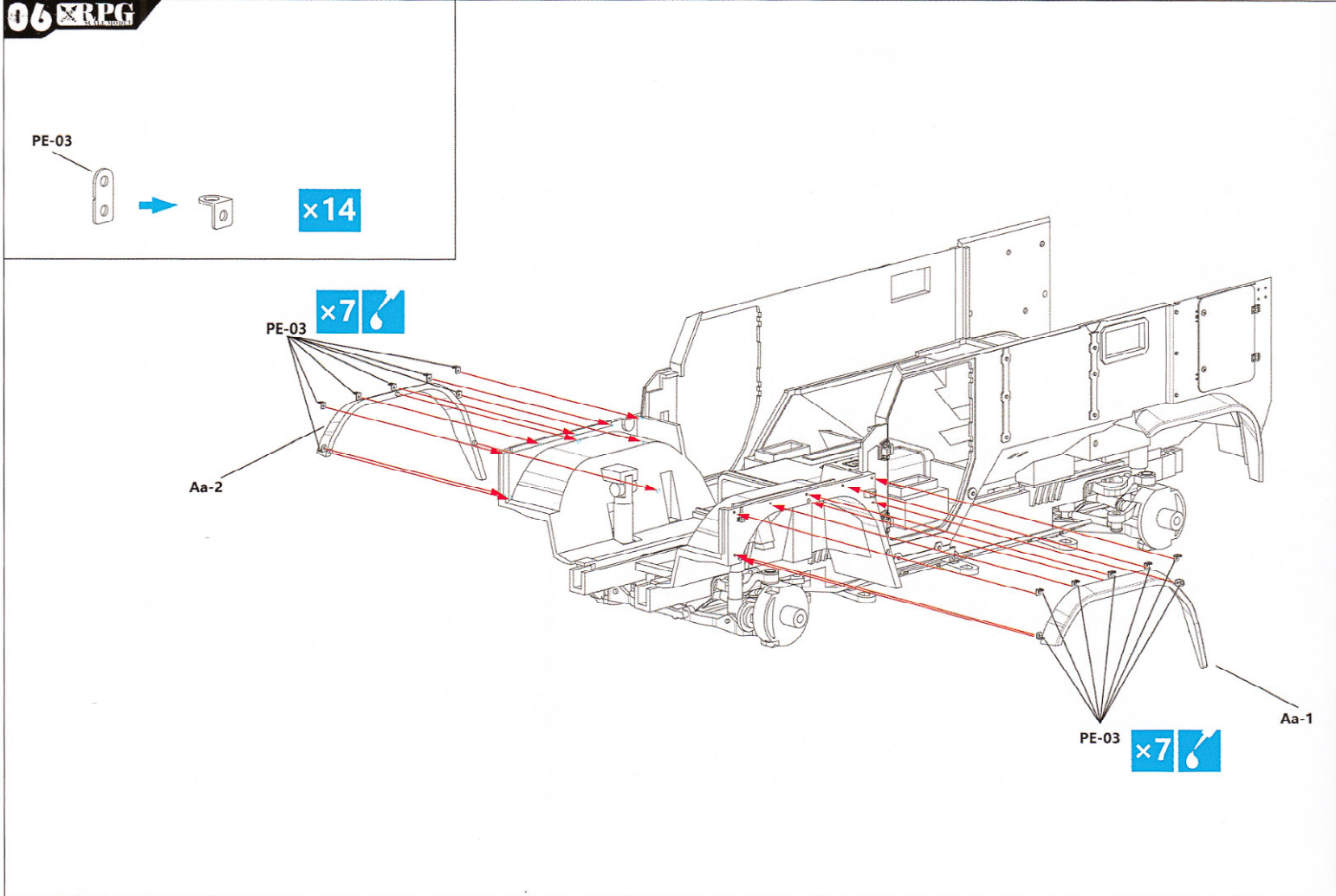
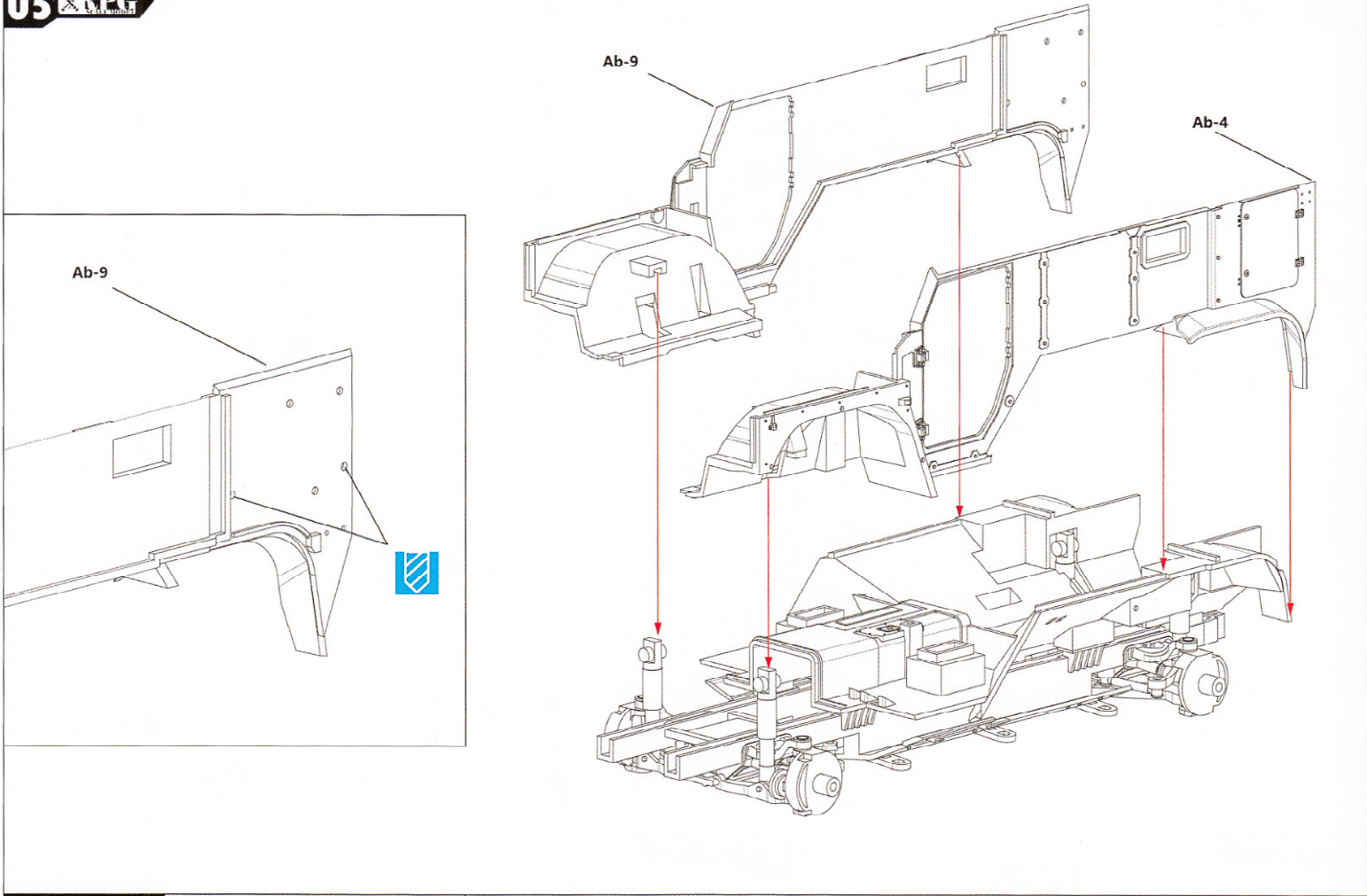


**03** 

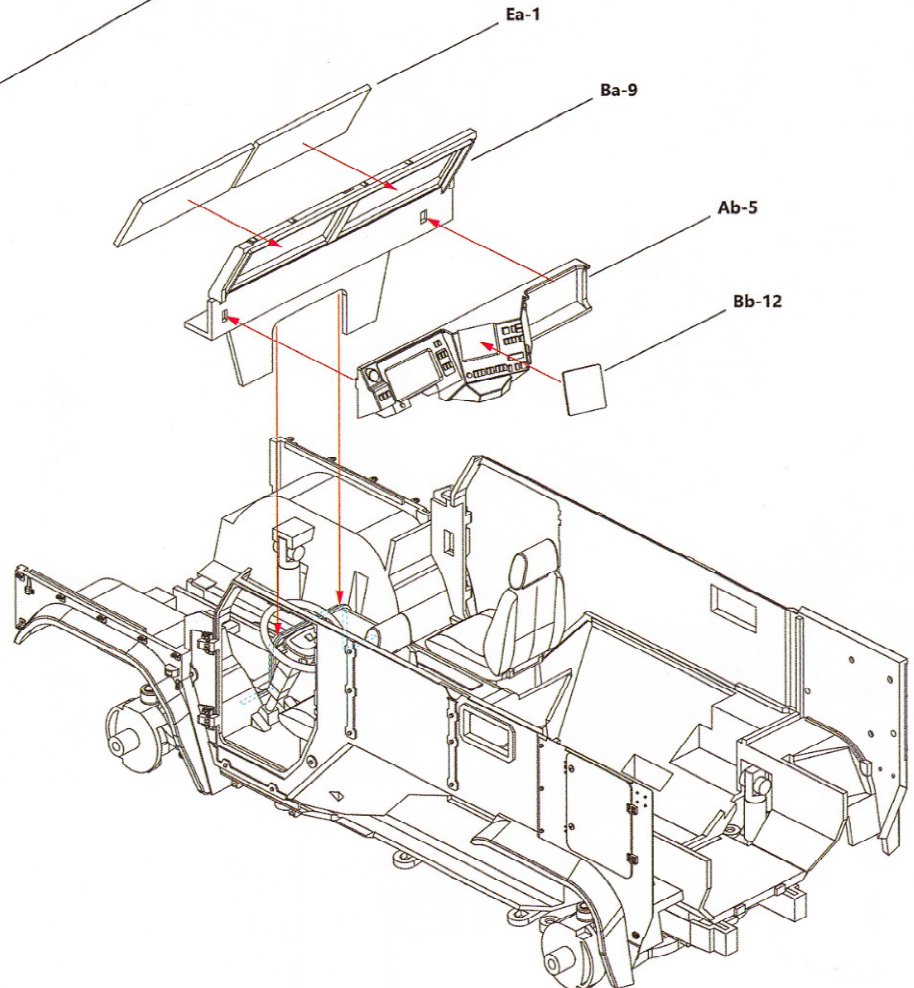
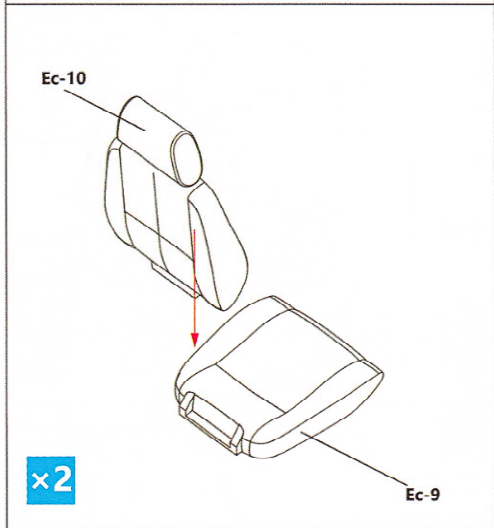
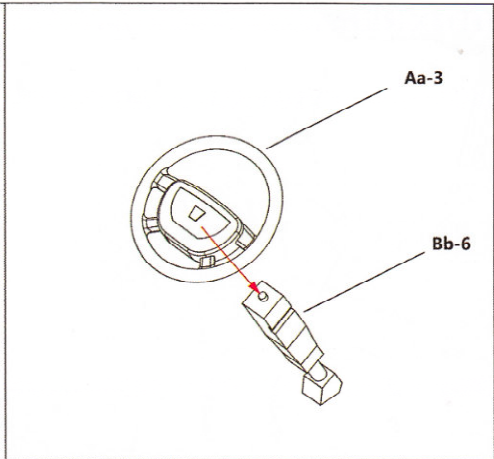
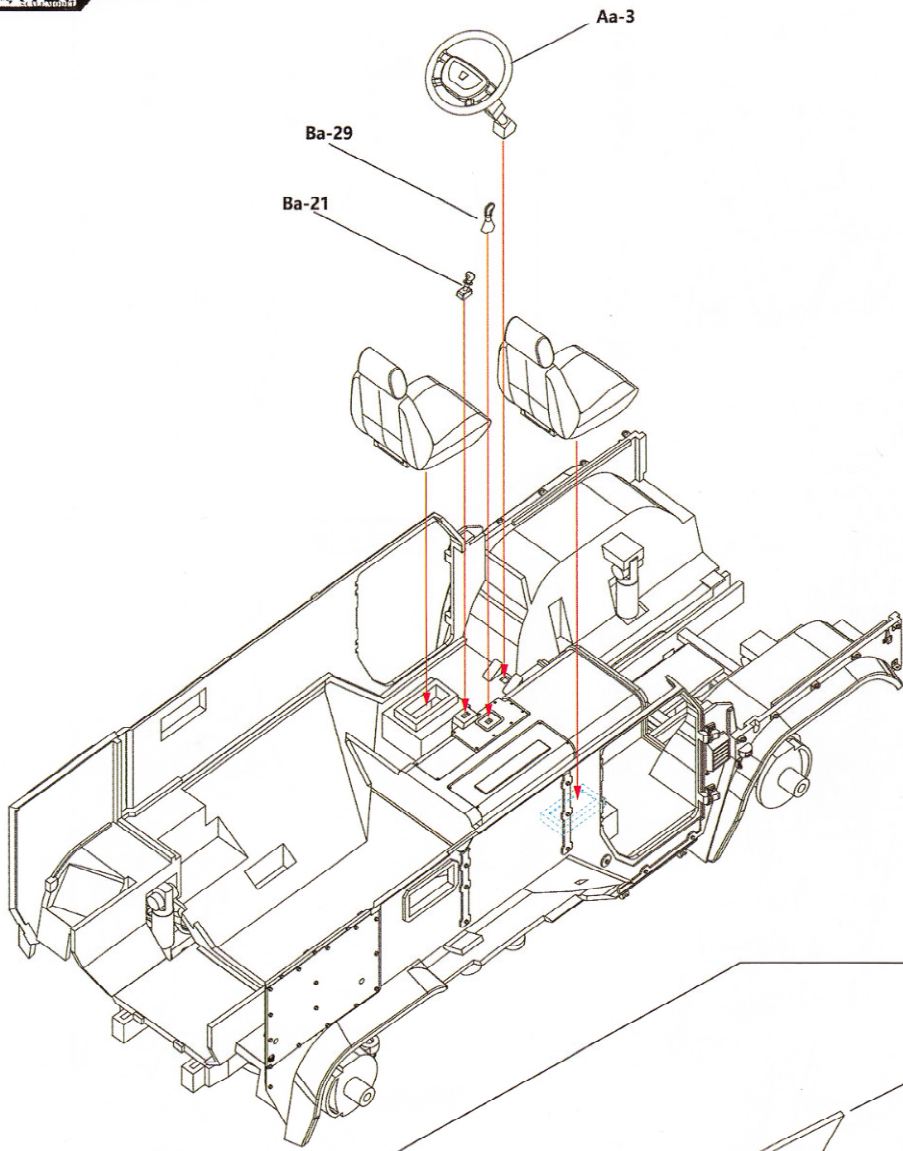


**04** 

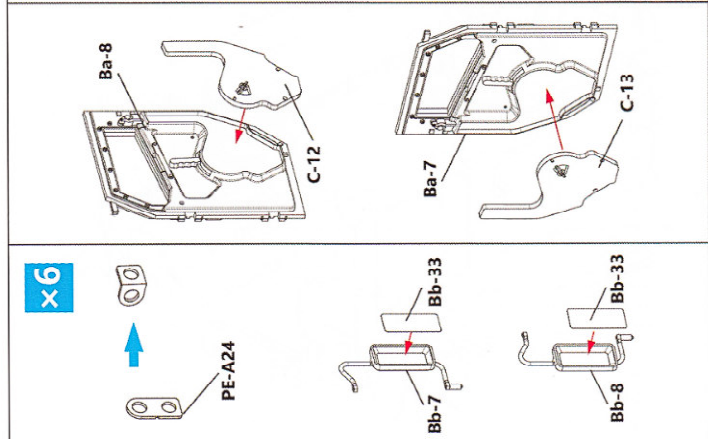
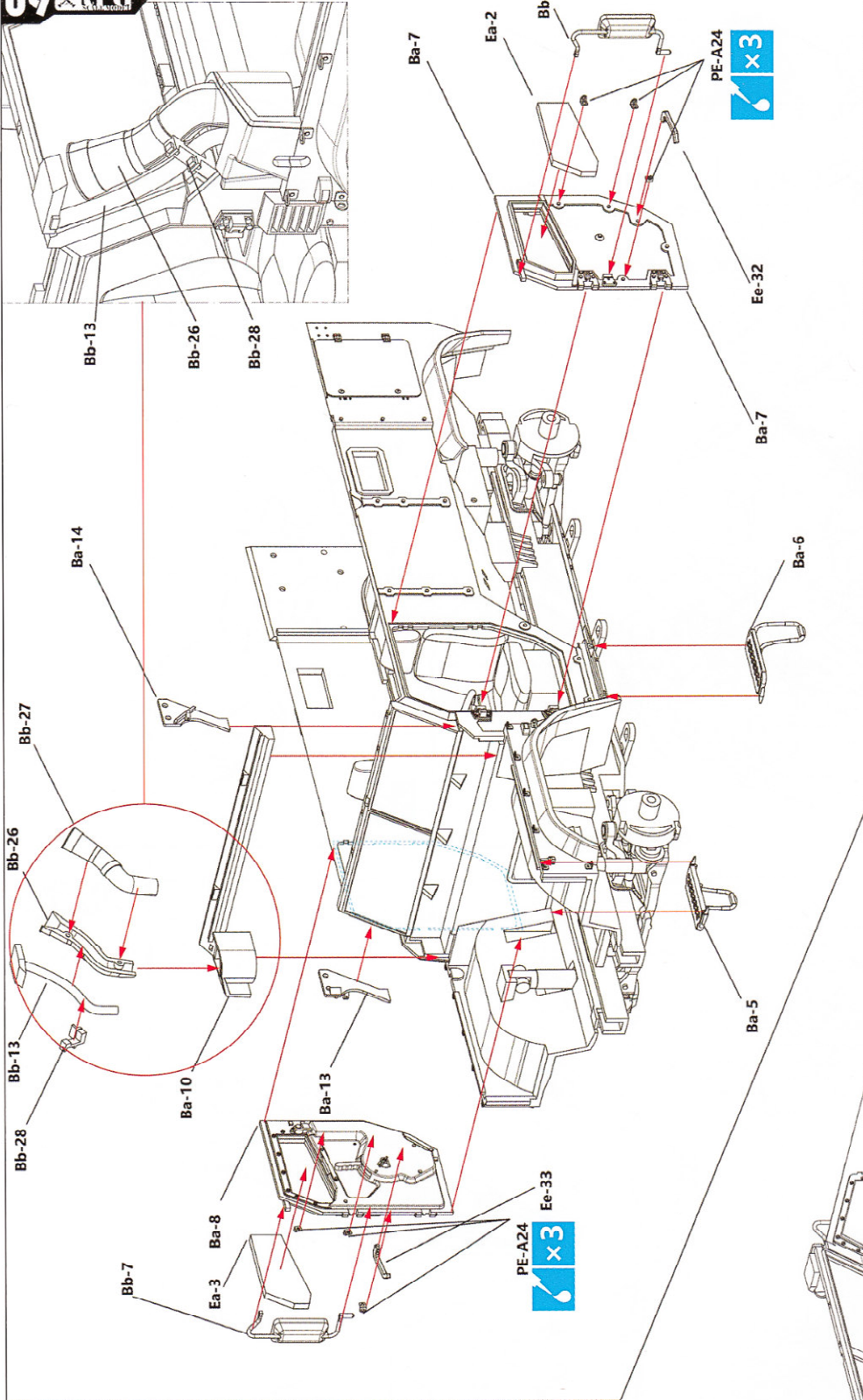








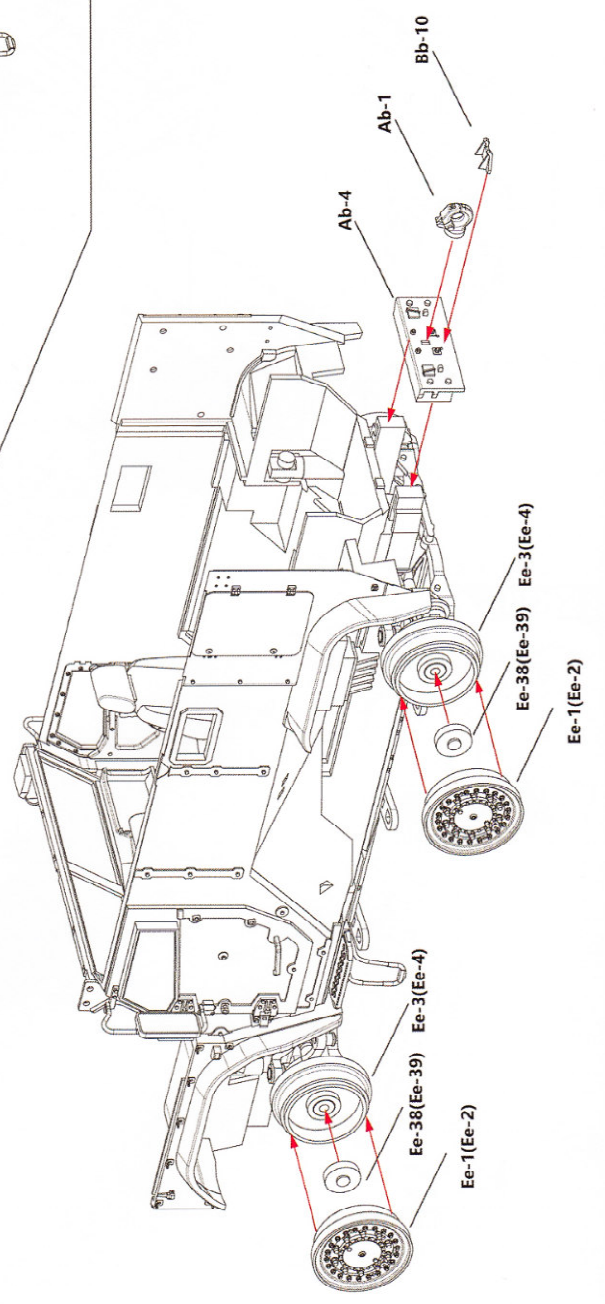




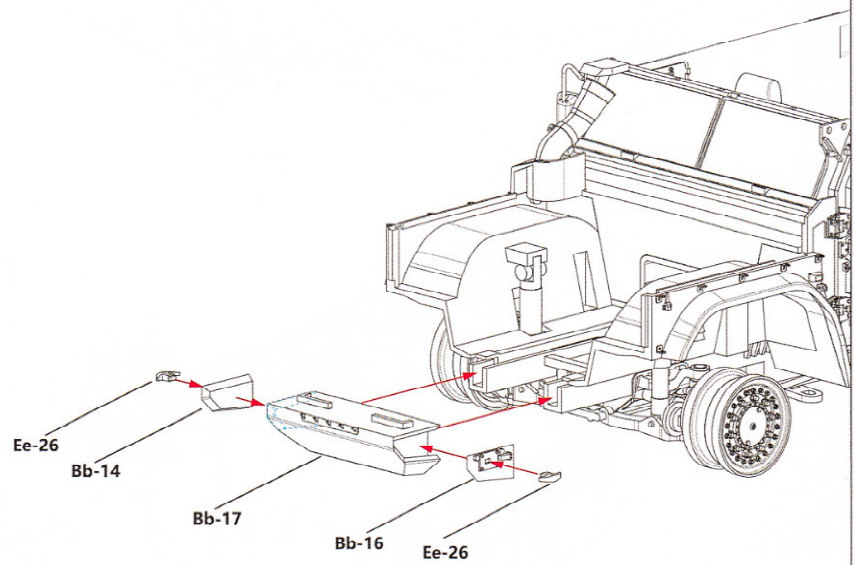
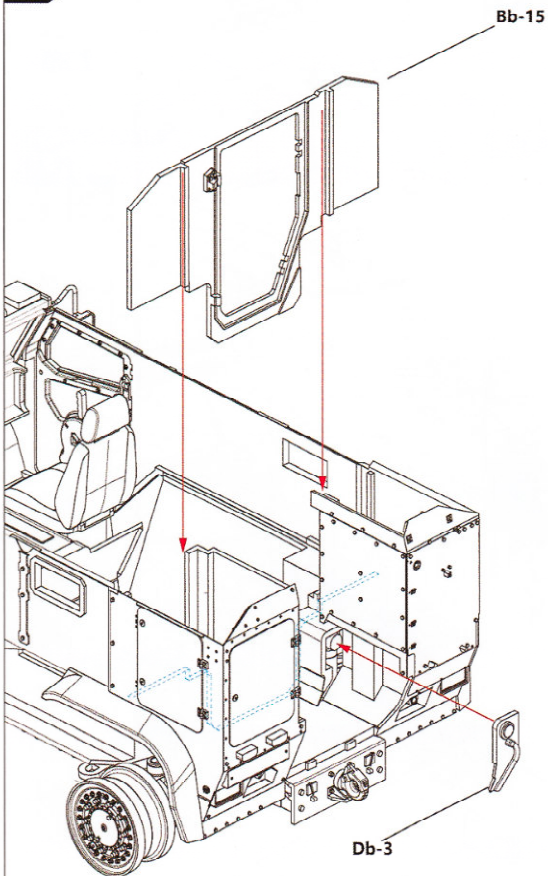
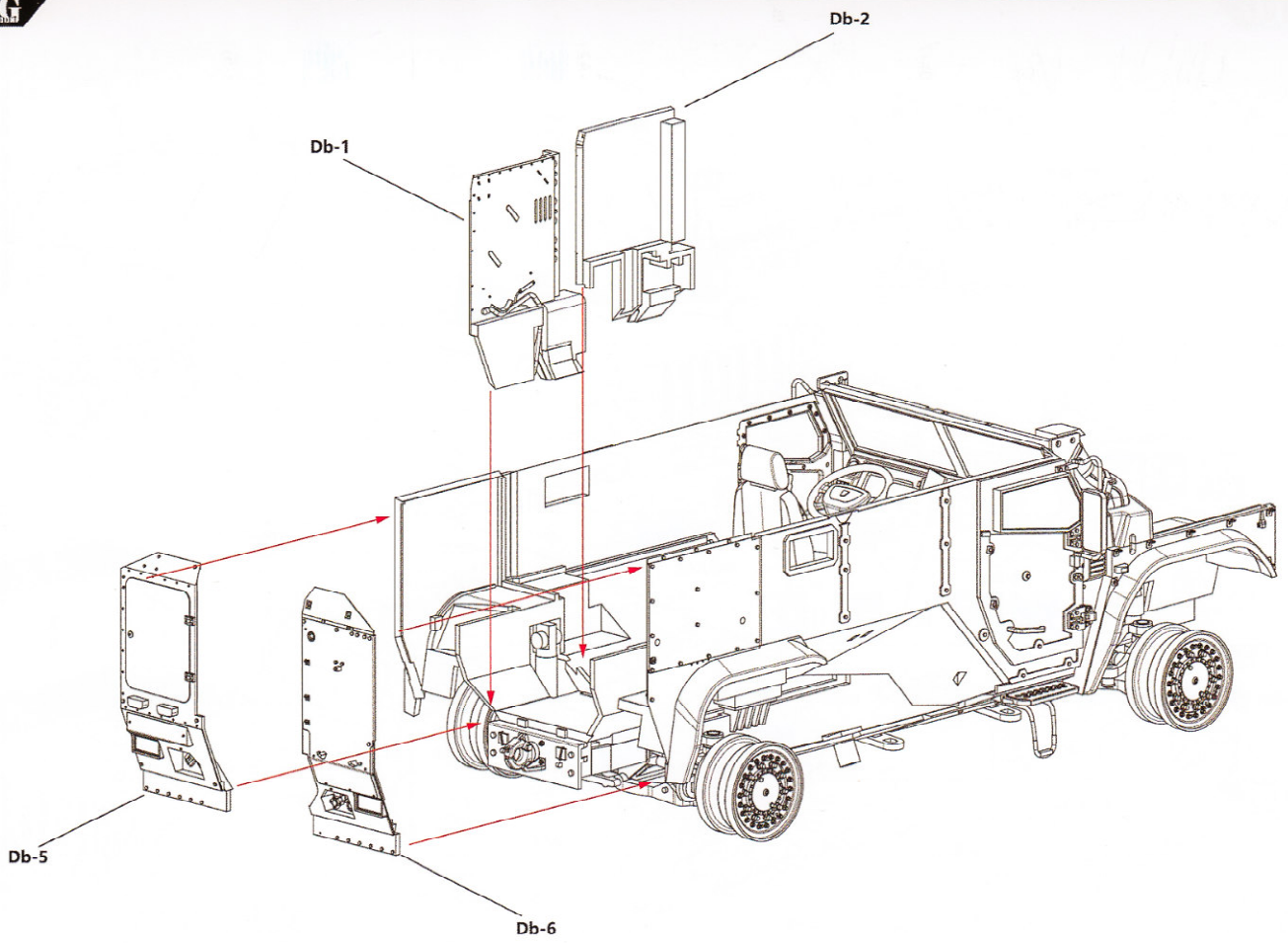
PE-A12

Ba-6(Ba-5)

Ec-6

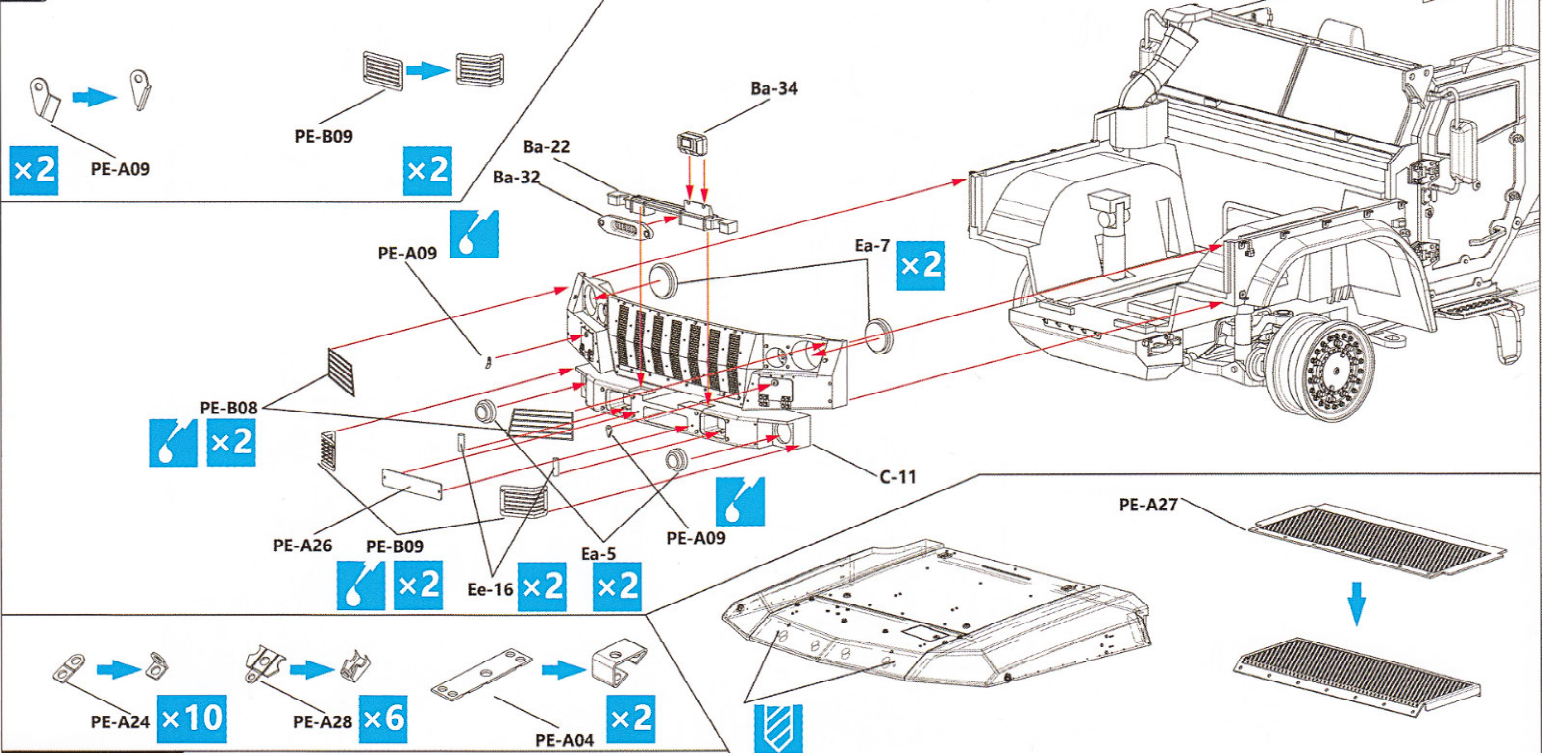




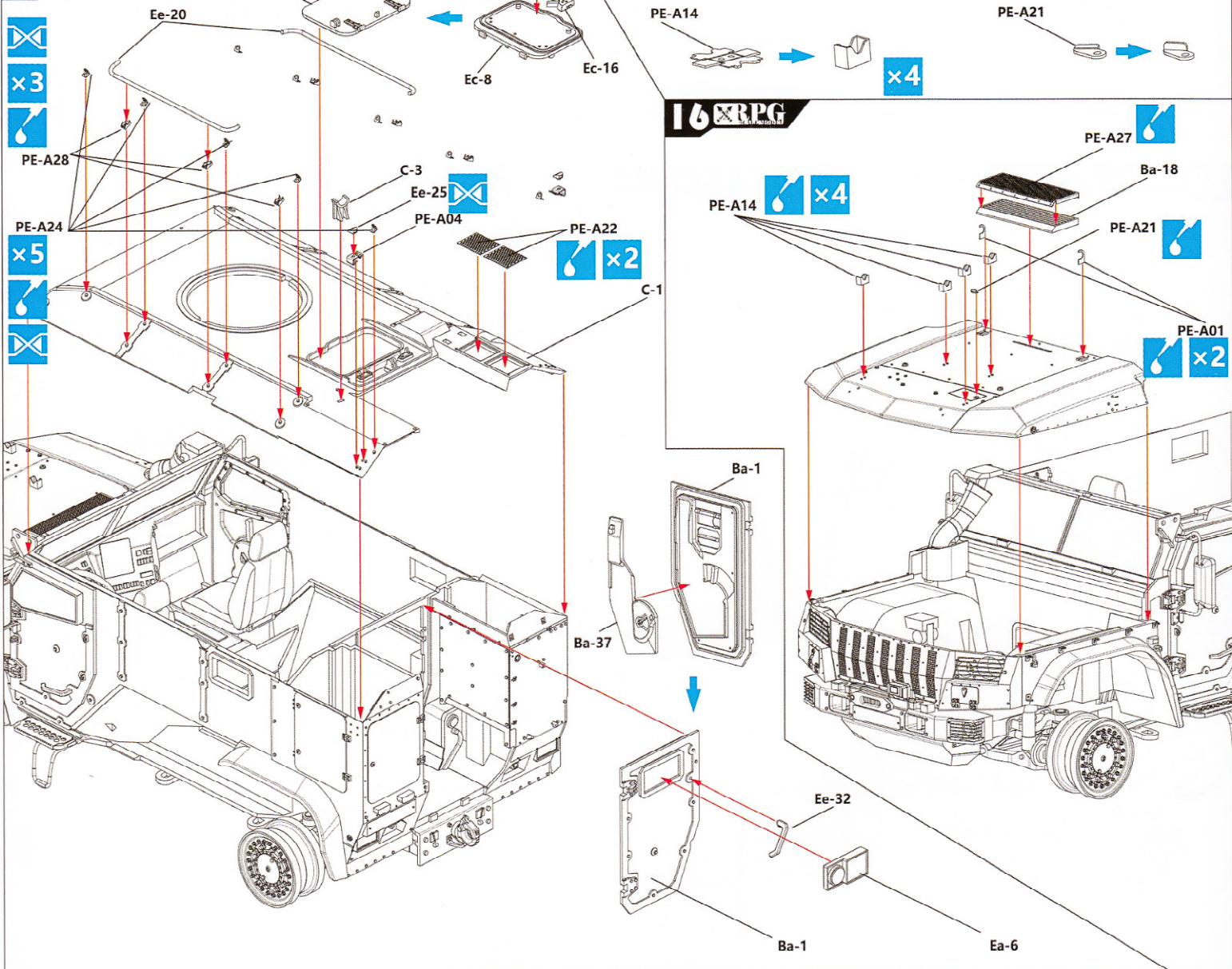




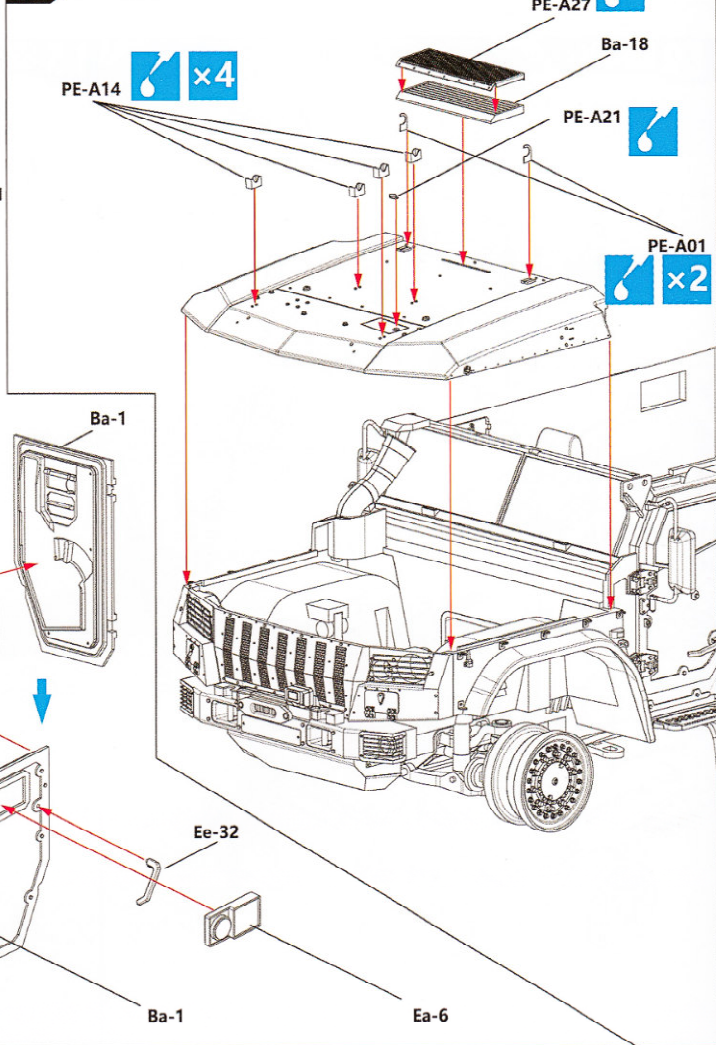
**14** **RPG**



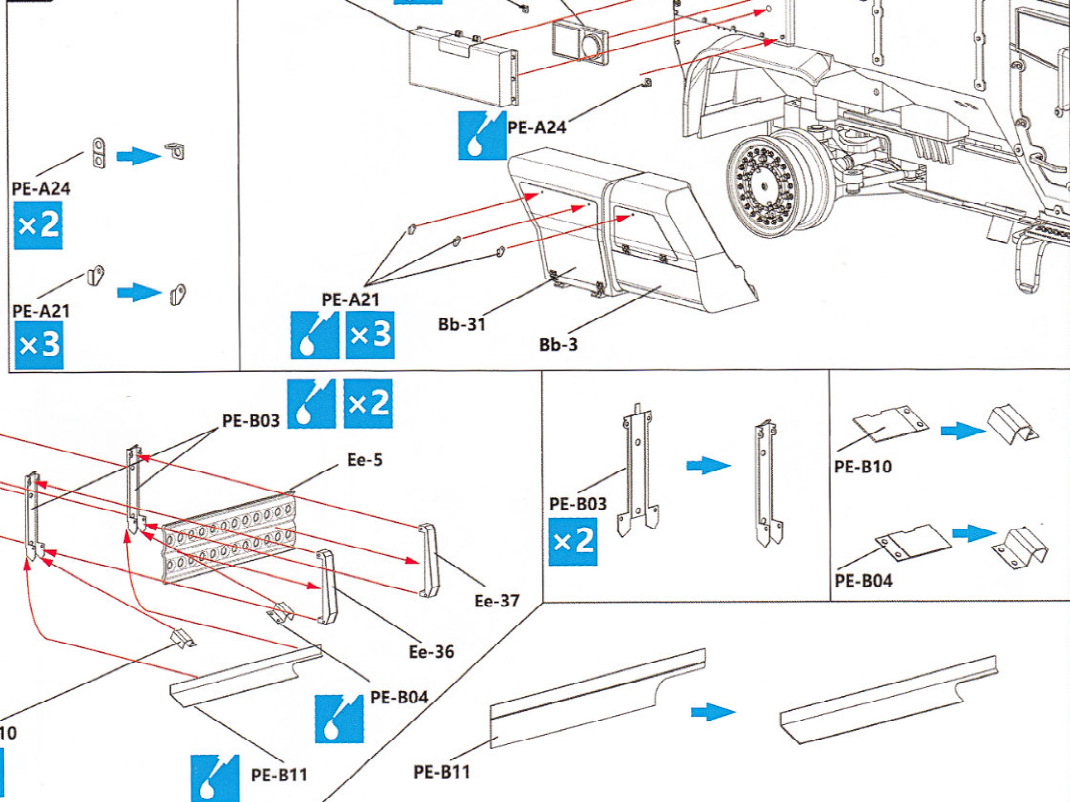
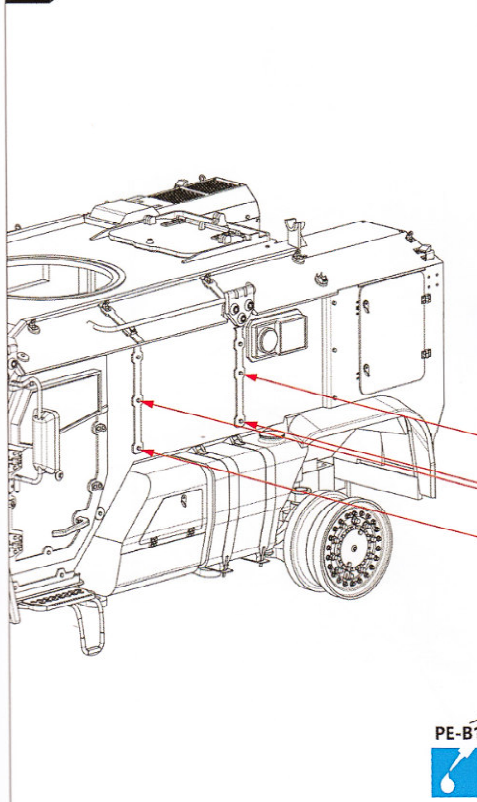
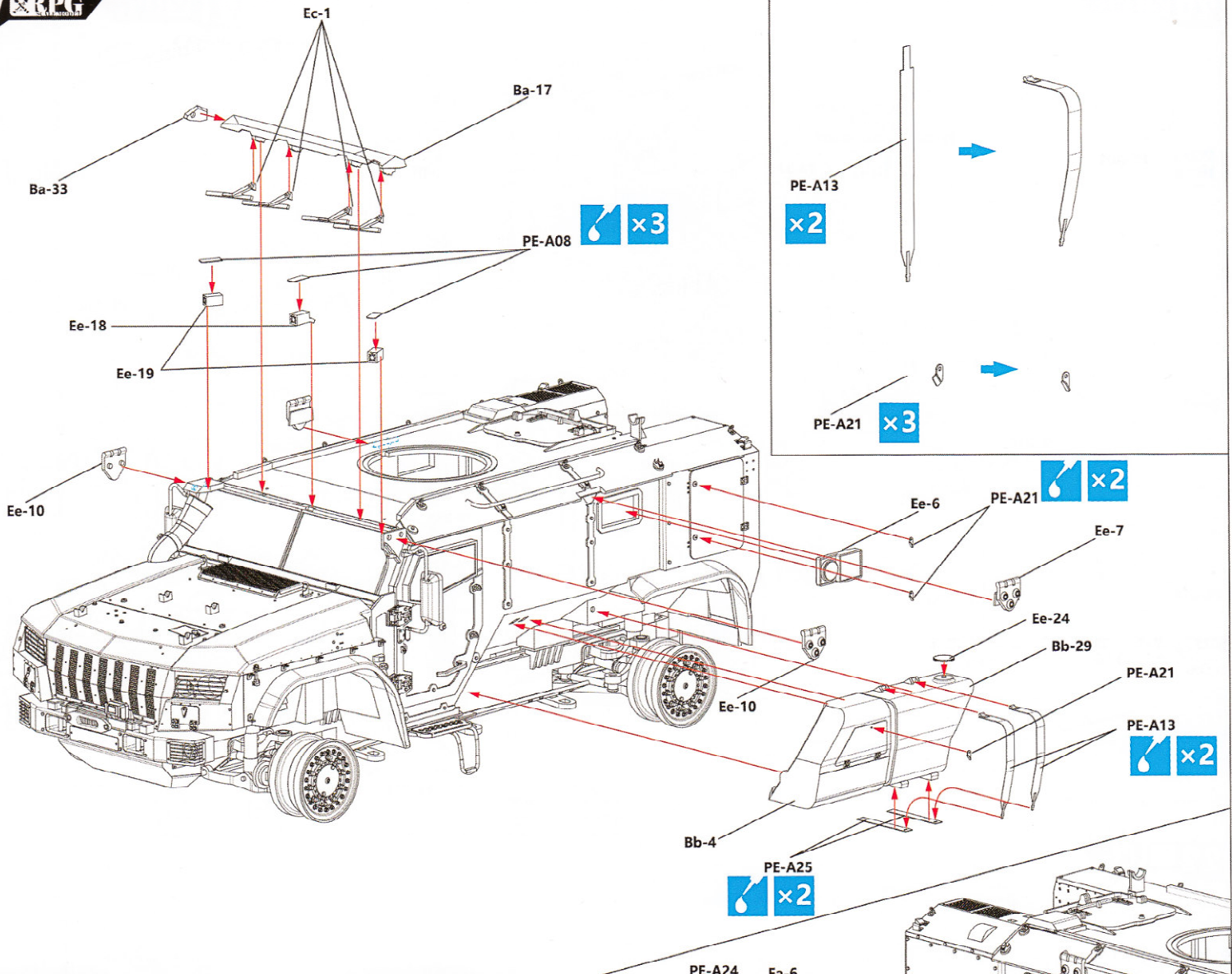
**15** **RPG**



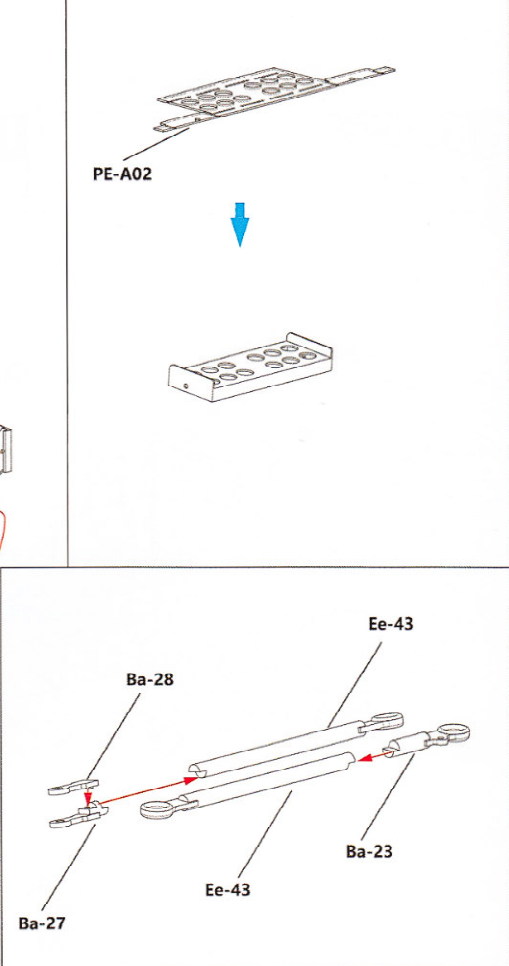
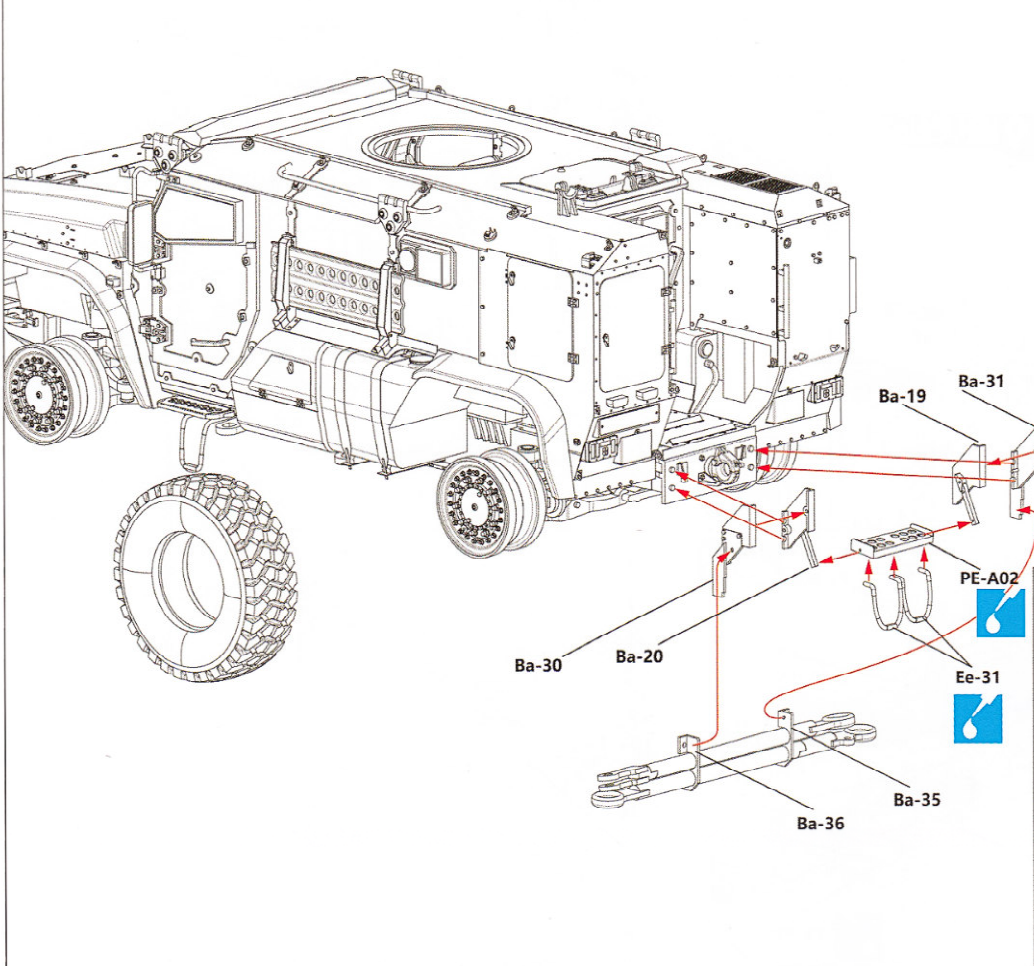
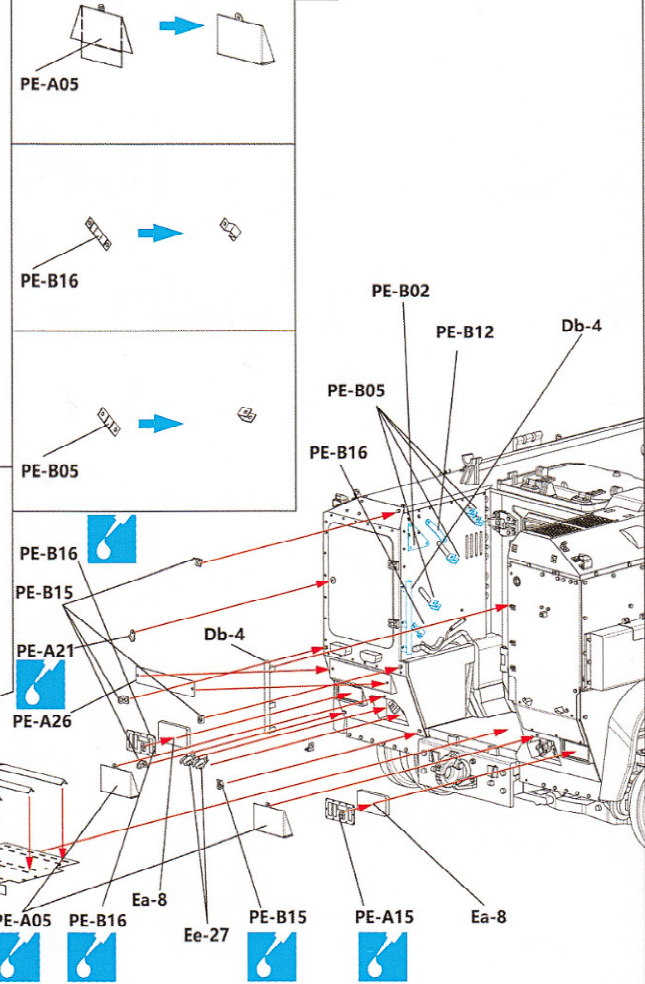
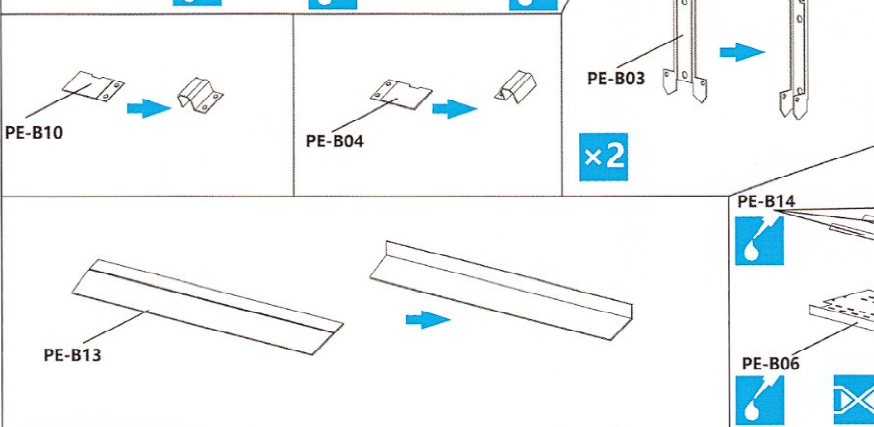
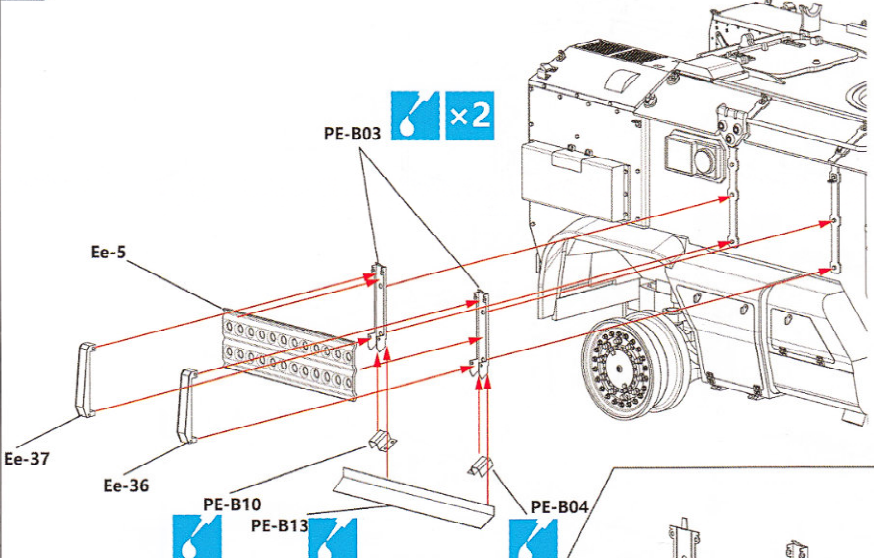
**16** **RPG**



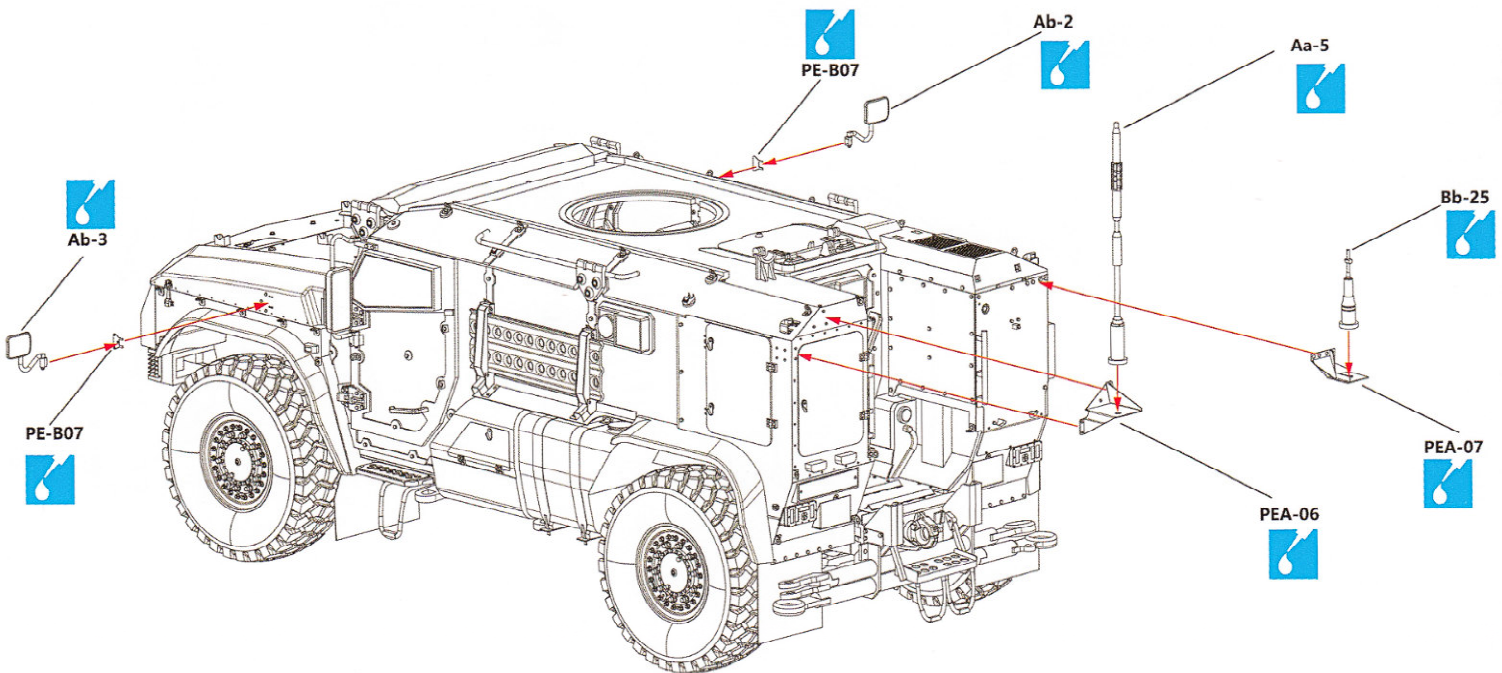
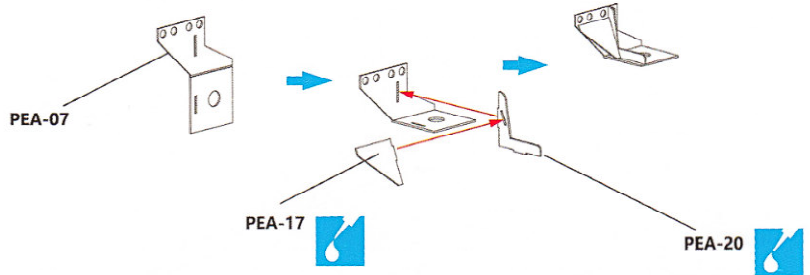
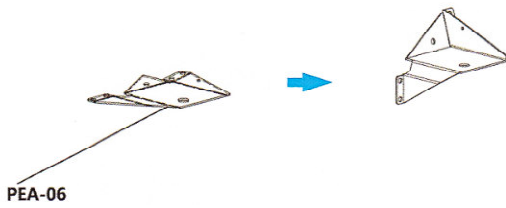
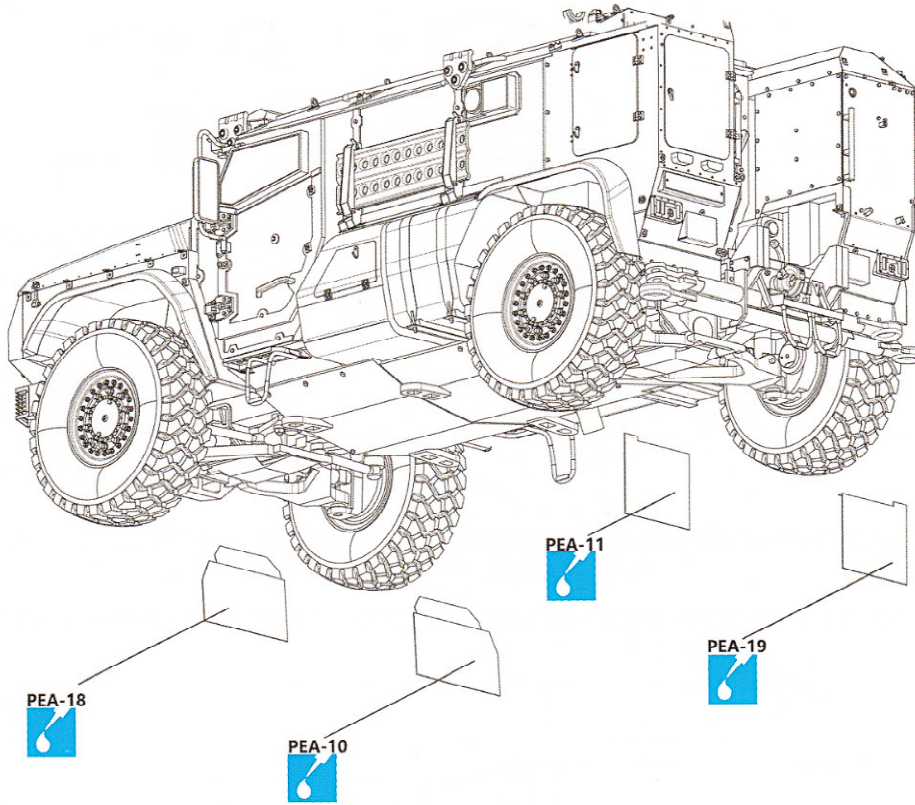




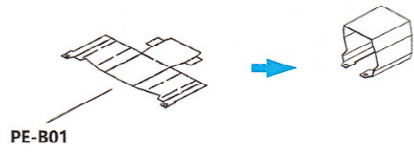




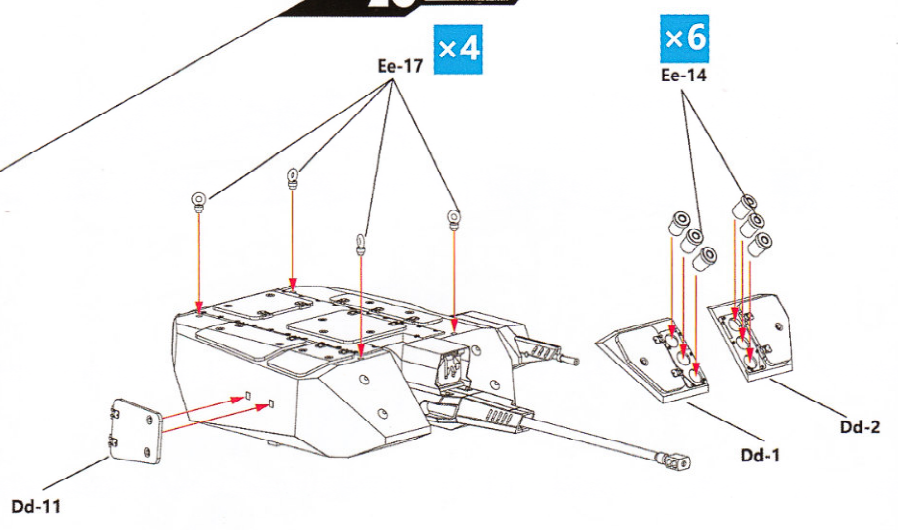
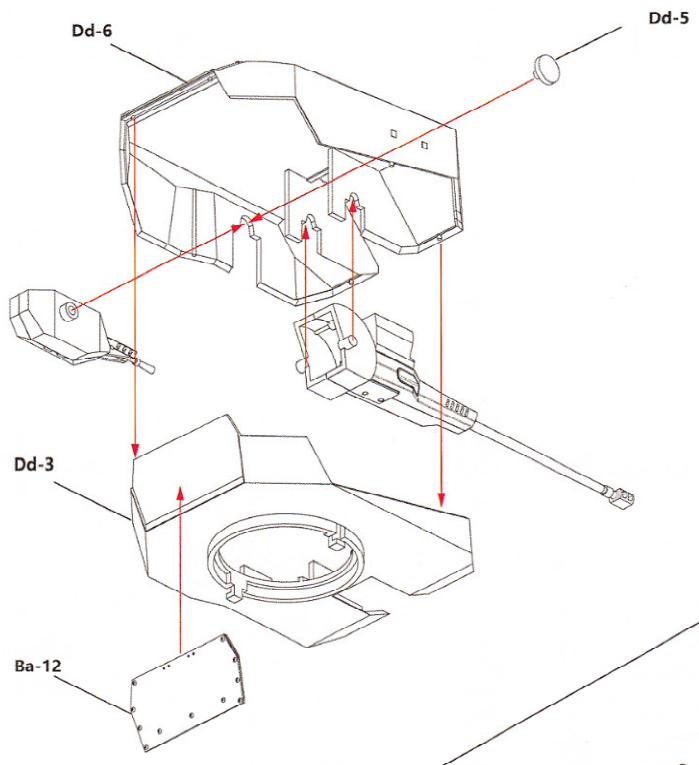
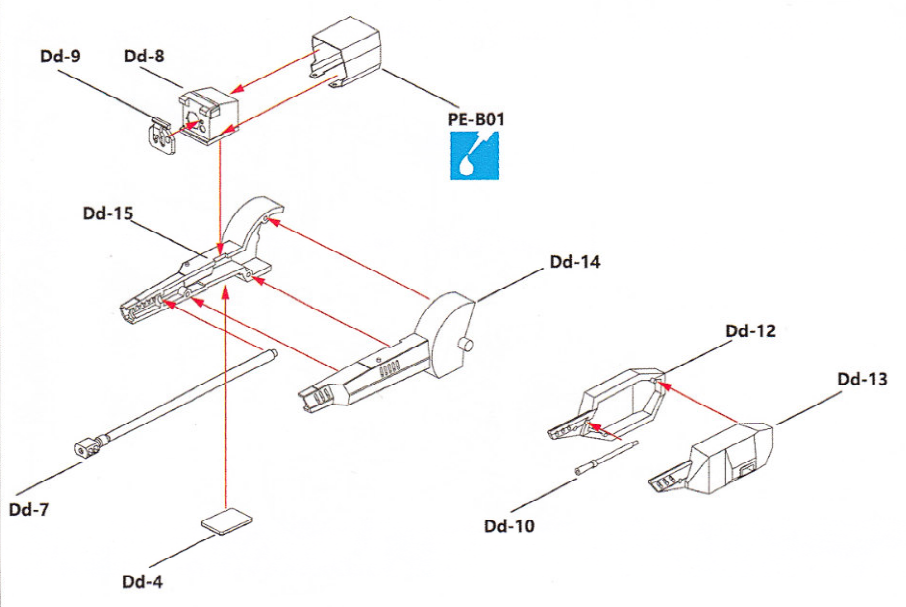
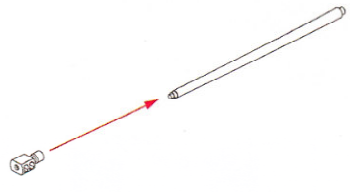




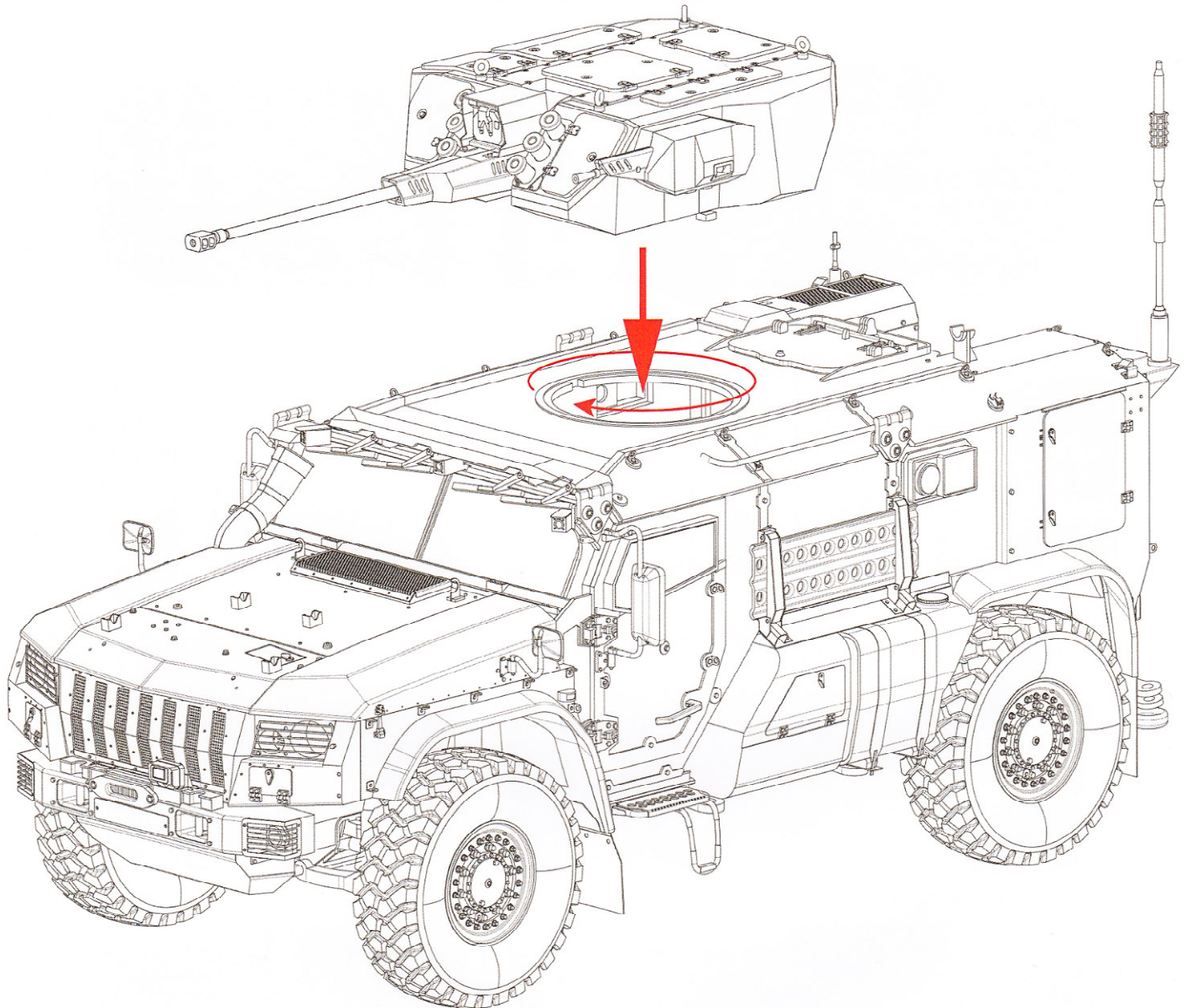




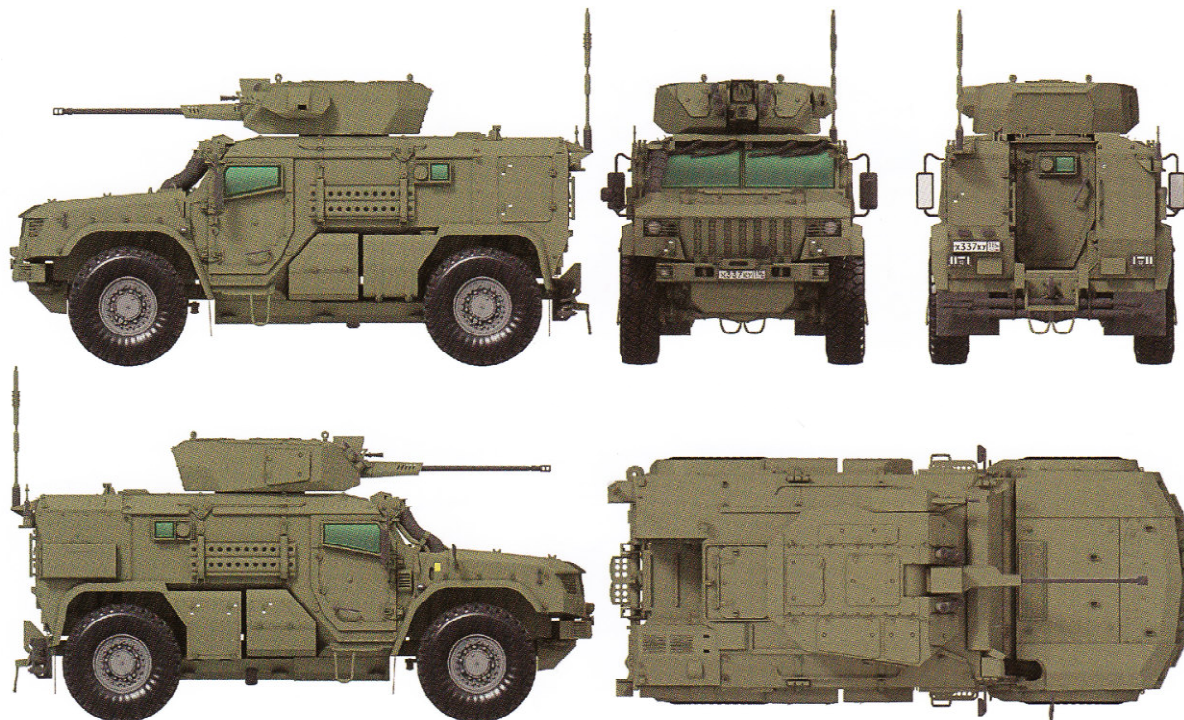
PE-B01











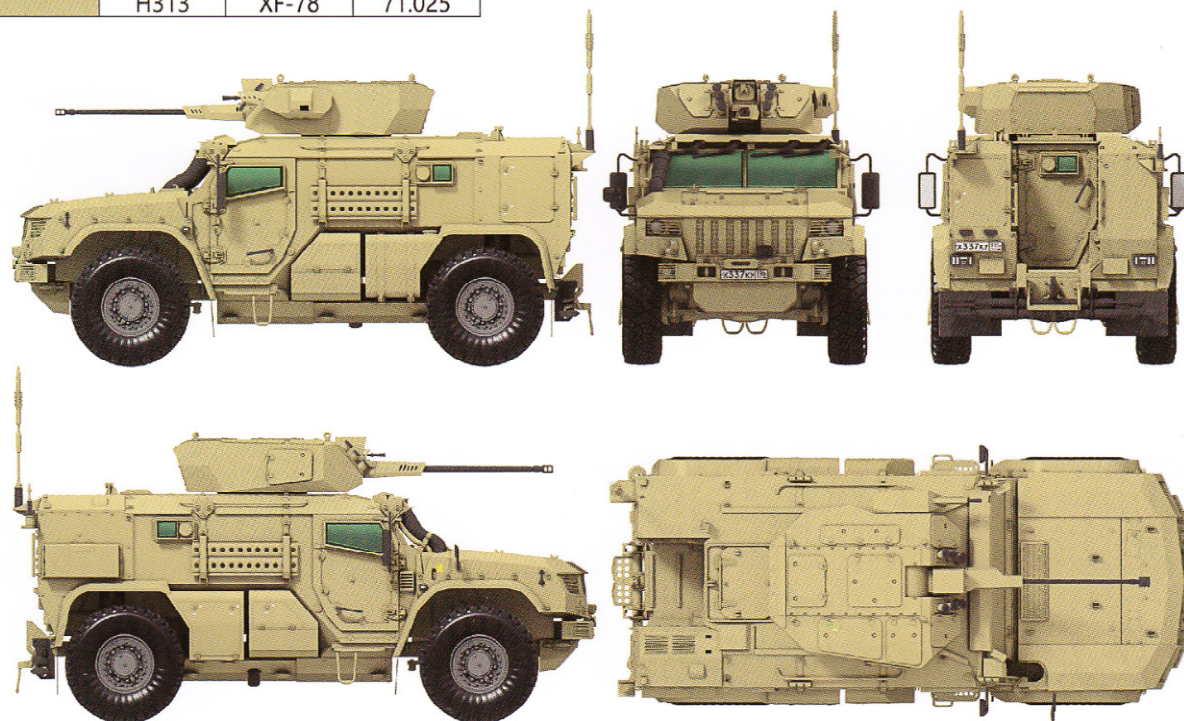




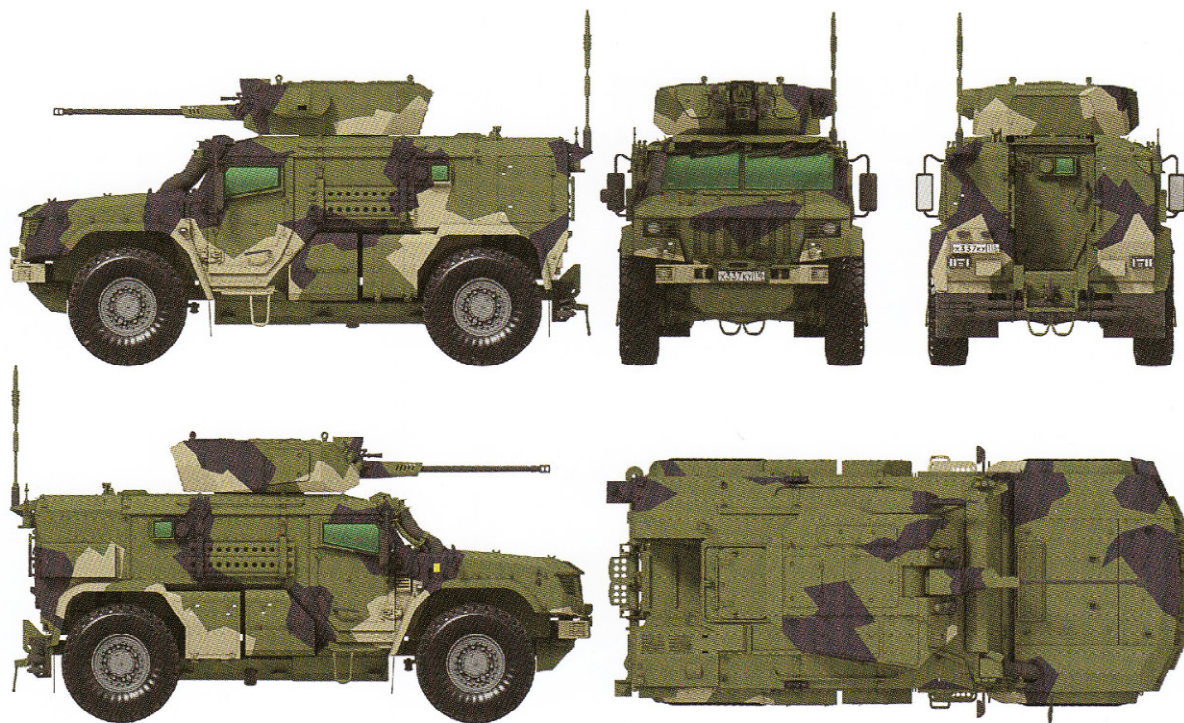




	Mr.COLOR	TAMIYA	AV vallejo
	H305	XF-54	71.052
	H137	XF-85	71.057
	H28	X-10	71.072
	H116	X-18	71.055
	H138	X-25	
	H90	X-32	71.064
	H303	XF-67	71.093
	H313	XF-78	71.025







	Mr.COLOR	TAMIYA	AV vallejo
	H305	XF-54	71.052
	H137	XF-85	71.057
	H28	X-10	71.072
	H116	X-18	71.055
	H138	X-25	
	H90	X-32	71.064
	H303	XF-67	71.093
	H313	XF-78	71.025
	H305	XF-63	71.115

