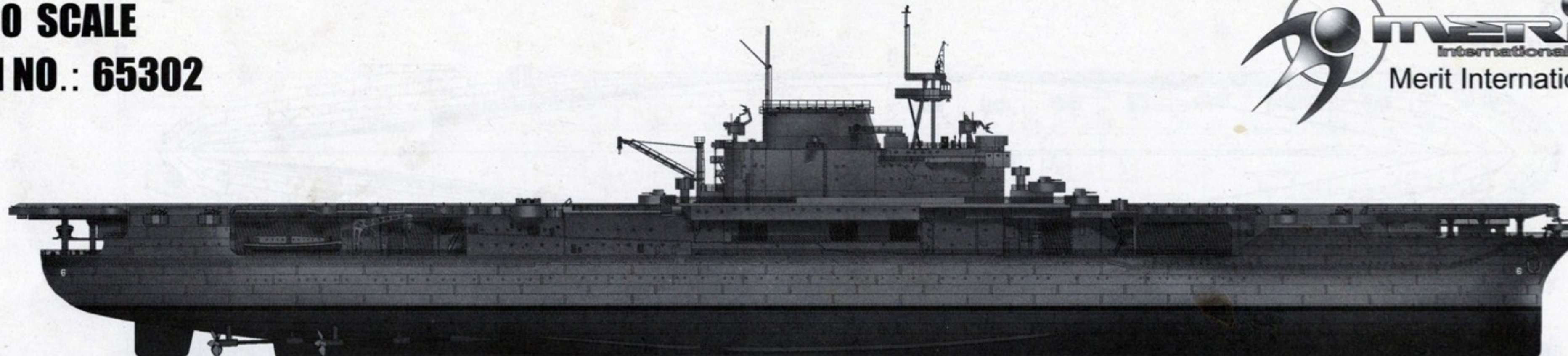


1/350 SCALE
ITEM NO.: 65302



USS Enterprise CV-6

美国海军企业号航空母舰CV-6

READ BEFORE ASSEMBLY:

- Study and understand these instructions thoroughly before beginning assembly
- When needed, remove photo-etch parts carefully using a modeling knife or photo etch sprue cutter, being careful not to damage or lose small parts.
- Take extra care in handling photo etch parts in order to avoid injury
- Apply instant cement sparingly to photo etch parts where instructed

- Tools recommended(not included in kit):Plastic and instant cements,sprue cutters,long nose pliers,modeling knife, small files, tweezers, pin vise & scissors. Soft cloth and sandpaper will also assist in construction
- Glue and paint are not included in the kit. Use plastic cement and hobby paints only. Color guide for purchasing paint is included in the kit.

装配之前仔细阅读

- 小心用模型锉刀锉平所有零件表面的注射浇口。
- 小心用刀片切下蚀刻片零件，不要遗失小零件。
- 用强力快干胶水粘合蚀刻片零件和金属轴。过量快干胶水使用可能导致可动零件会粘住，小心涂胶。
- 取蚀刻片时应特别注意安全，防止利边划伤手指。
- 某些零件表面需贴上水贴纸，请选择在装配的同时进行。
- 推荐模型工具(自备)：胶水，水口剪刀，长咀钳，刀片，锉刀，镊子，钳，钻，剪刀，瞬间快干胶。
- 软布同砂纸同时也应该是必备工具。
- 请使用塑料胶水和油漆，模型内不含。

水贴纸的使用:

1. 从水贴上剪下印花;
2. 将印花放入温水中浸10秒，然后放在干净布上。
3. 拿着印花纸板将印花移到模型上;
4. 手指蘸水将印花移到适当的位置;
5. 用软布轻压印花直至水干，汽泡消失。

DECAL APPLICATION:

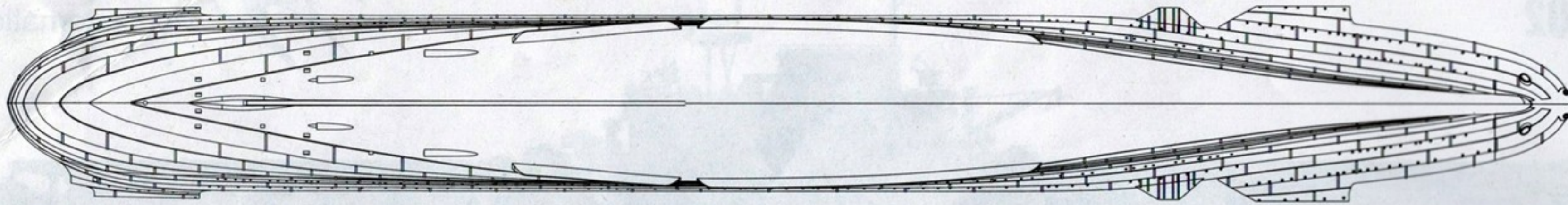
1. Cut decals from sheet as needed
2. Dip the decal in warm water for about 10 seconds and then place on soft clean cloth.
3. Hold the decal backing sheet edge and gently slide the decal onto the model in its proper position.

4. While still wet, decal can be adjusted for better fit on model by dampening it gently with your finger.
5. When placed in the proper position, gently press decal down with a soft cloth until excess water and air bubbles are gone.
6. Allow decal to dry completely before handling model

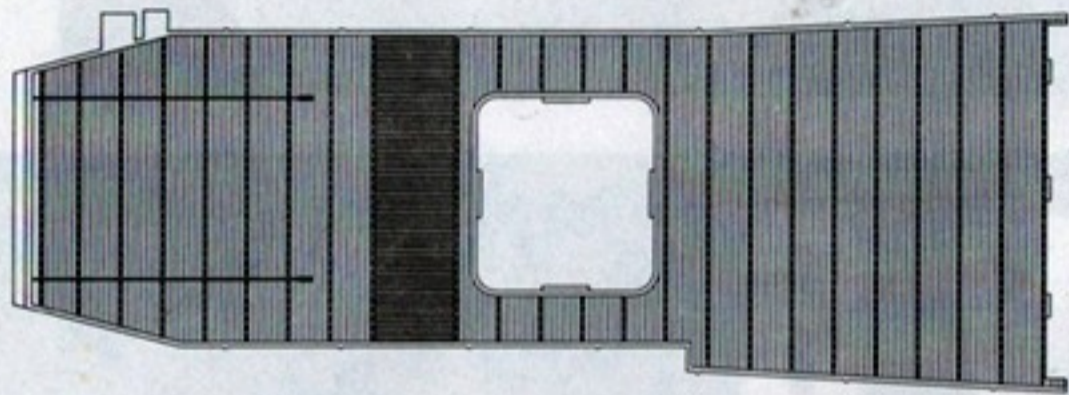


部品图 Parts

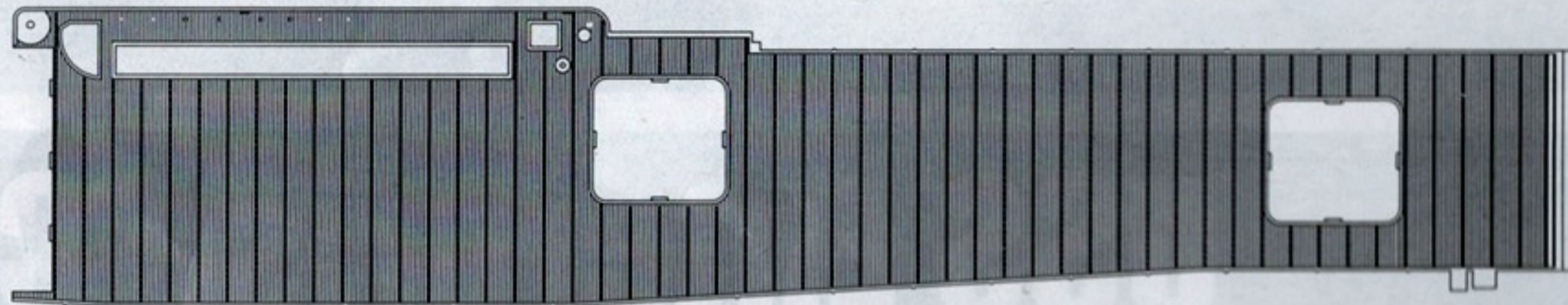
《船体》 Hull



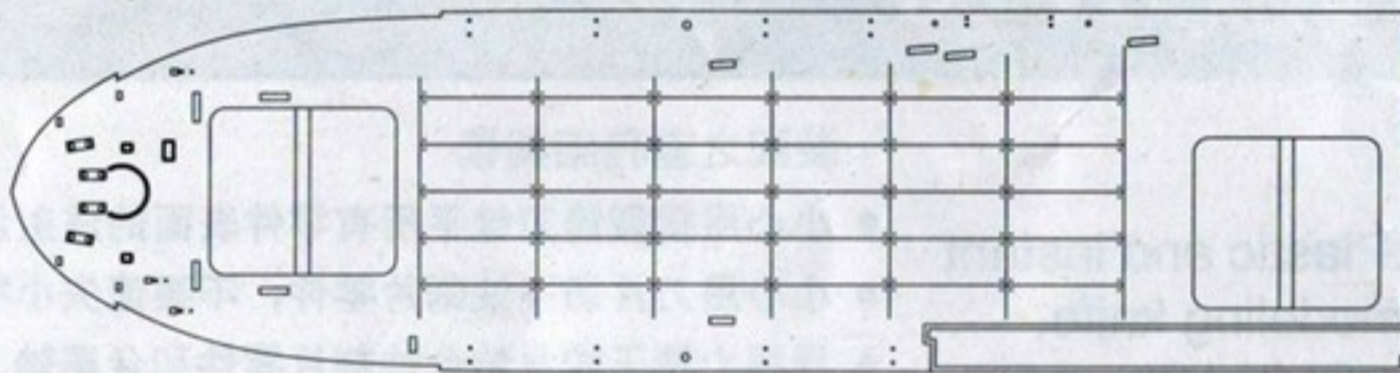
《飞行甲板W1》 Flight deck W1



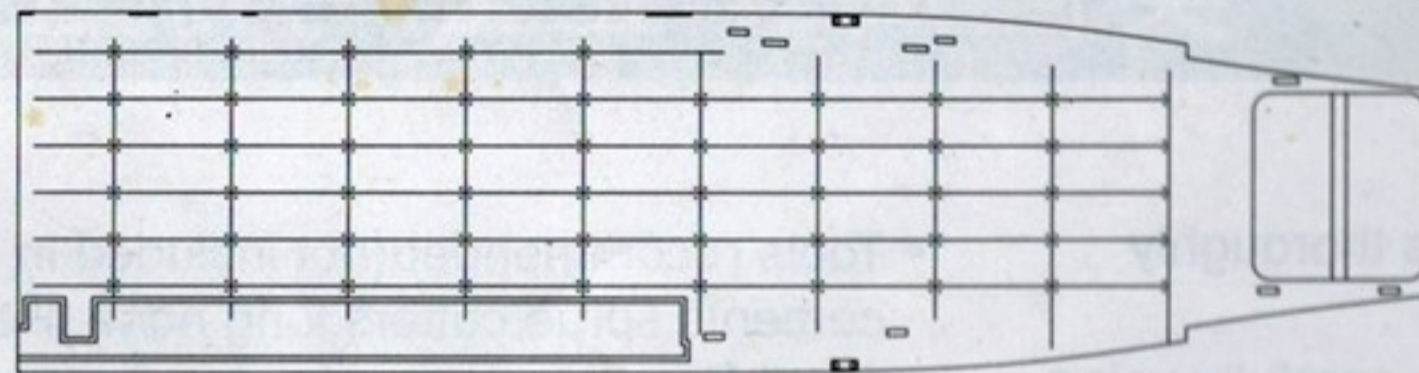
《飞行甲板W2》 Flight deck W2



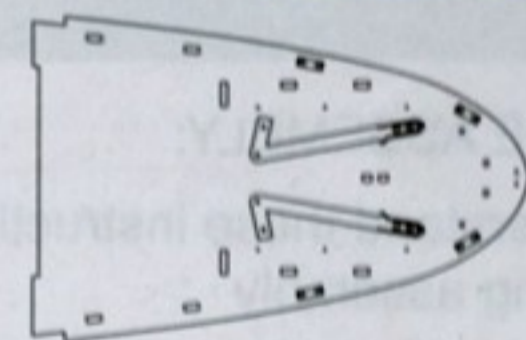
《机库甲板V1》 Hangar deck V1



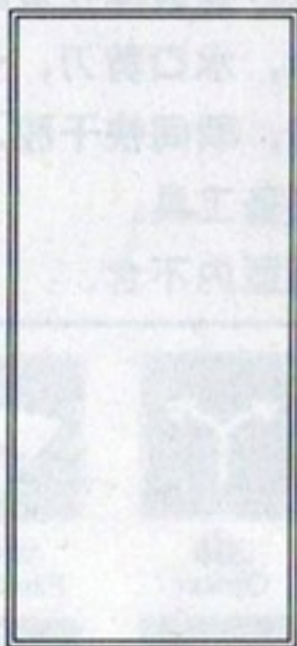
《机库甲板V2》 Hangar deck V2



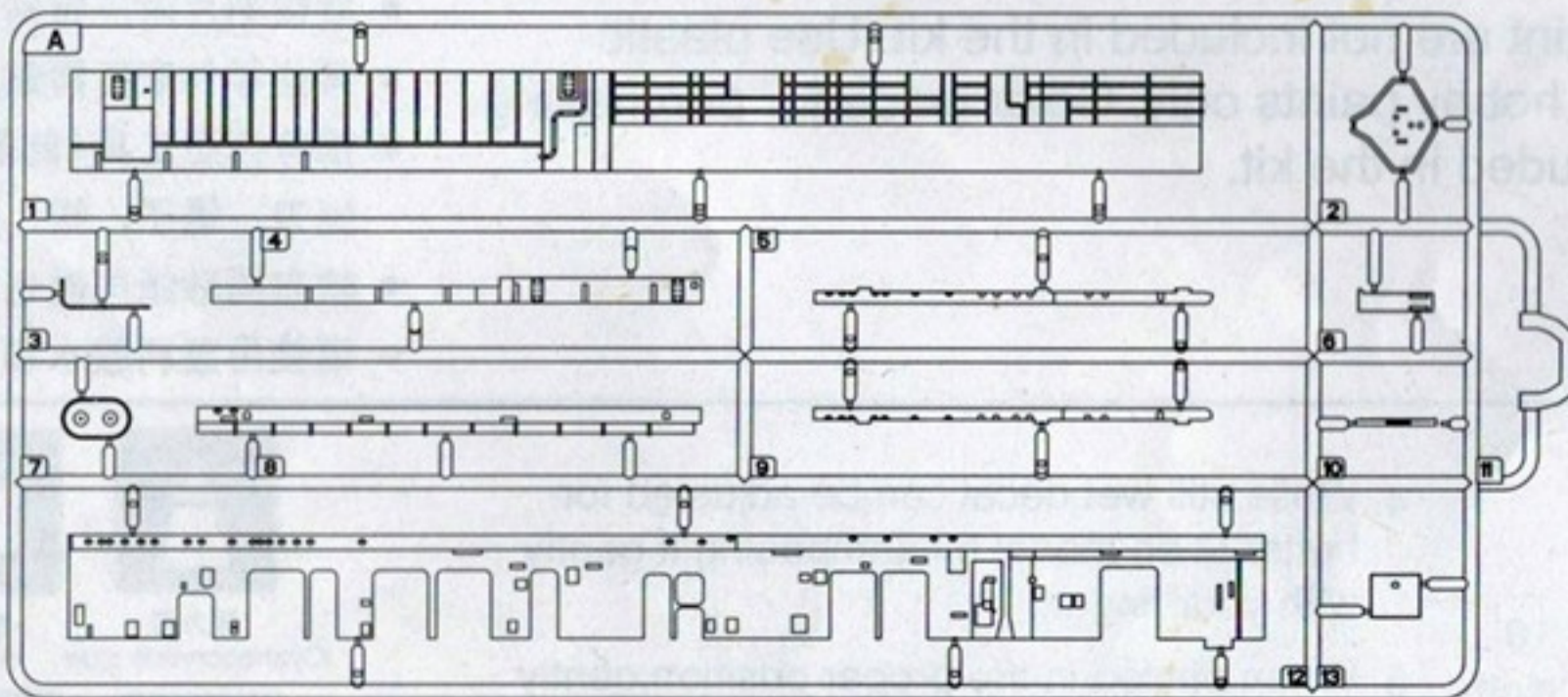
《机库甲板W3》 Hangar deck W3



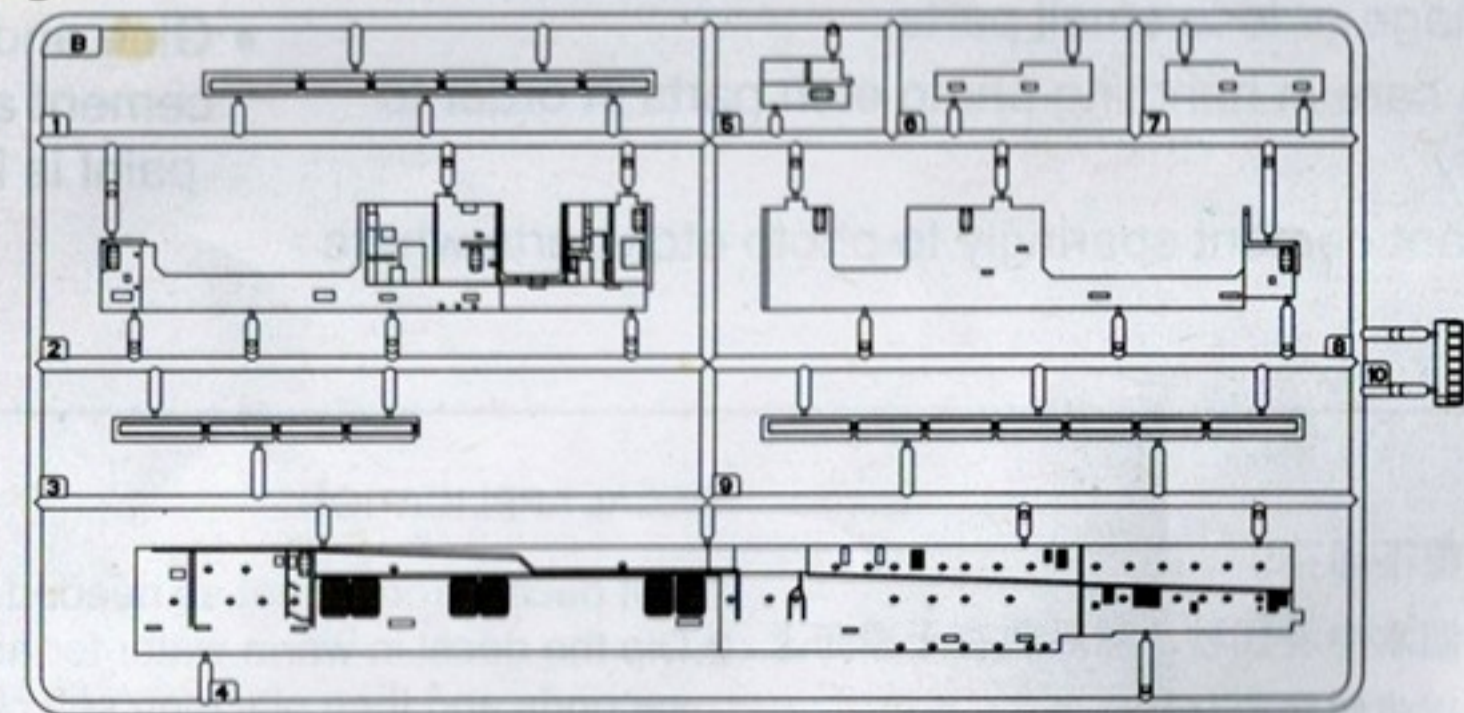
《机库甲板W4》
Hangar deck W4



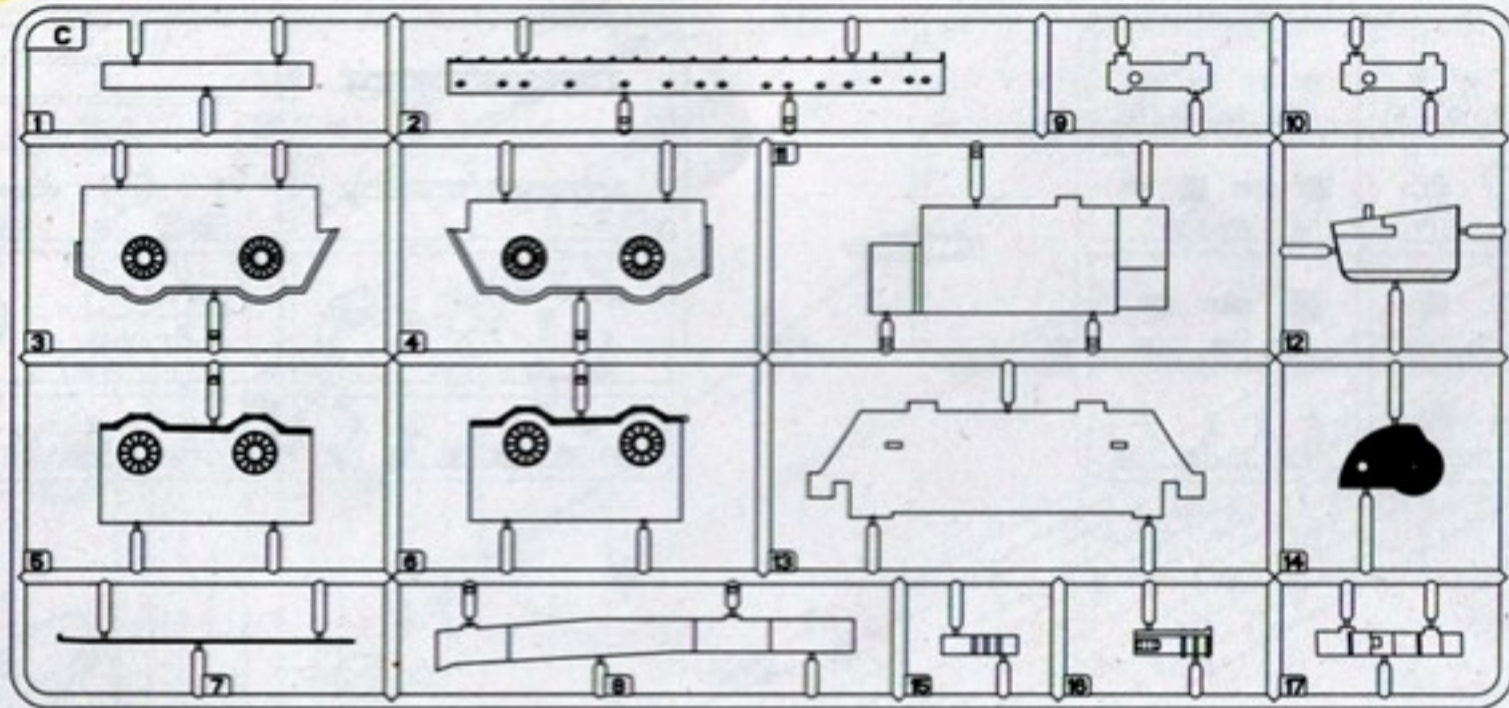
A



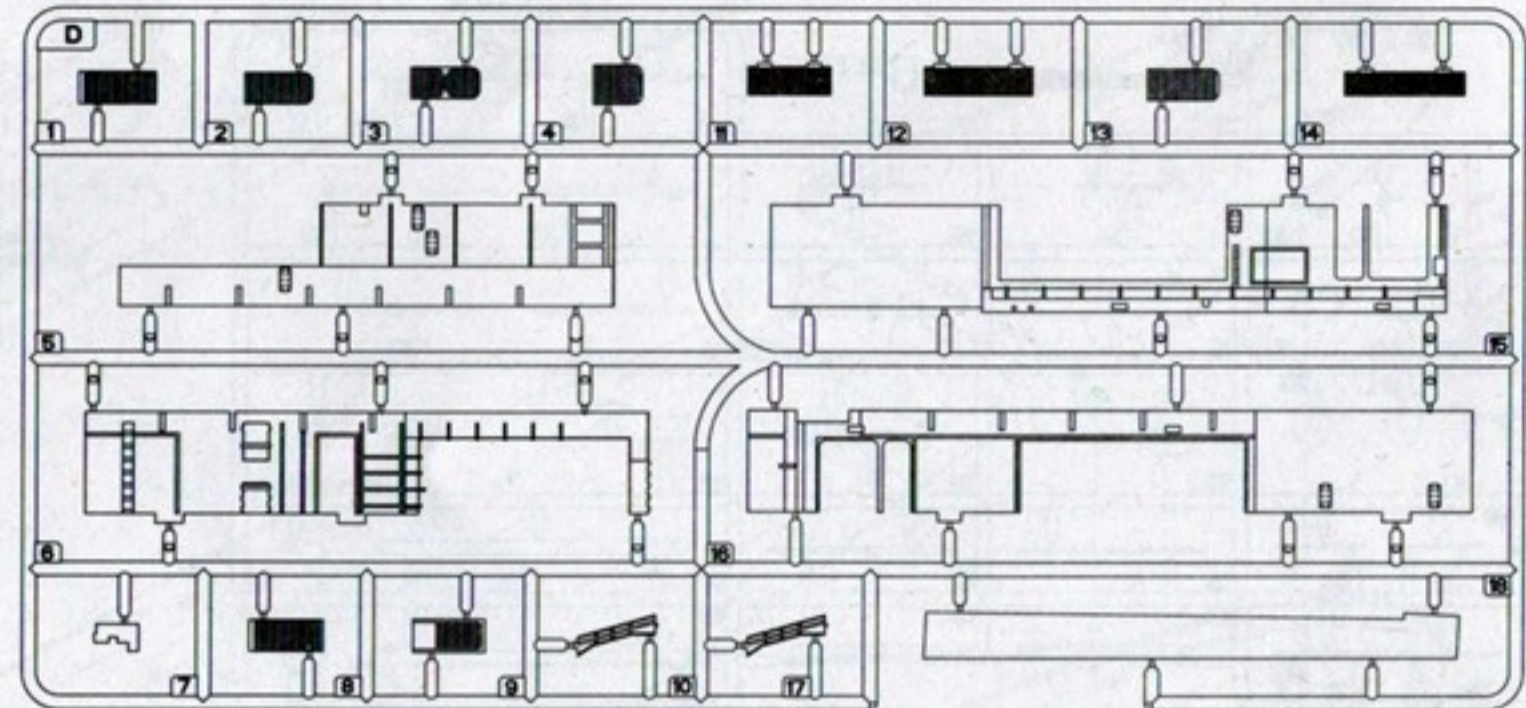
B



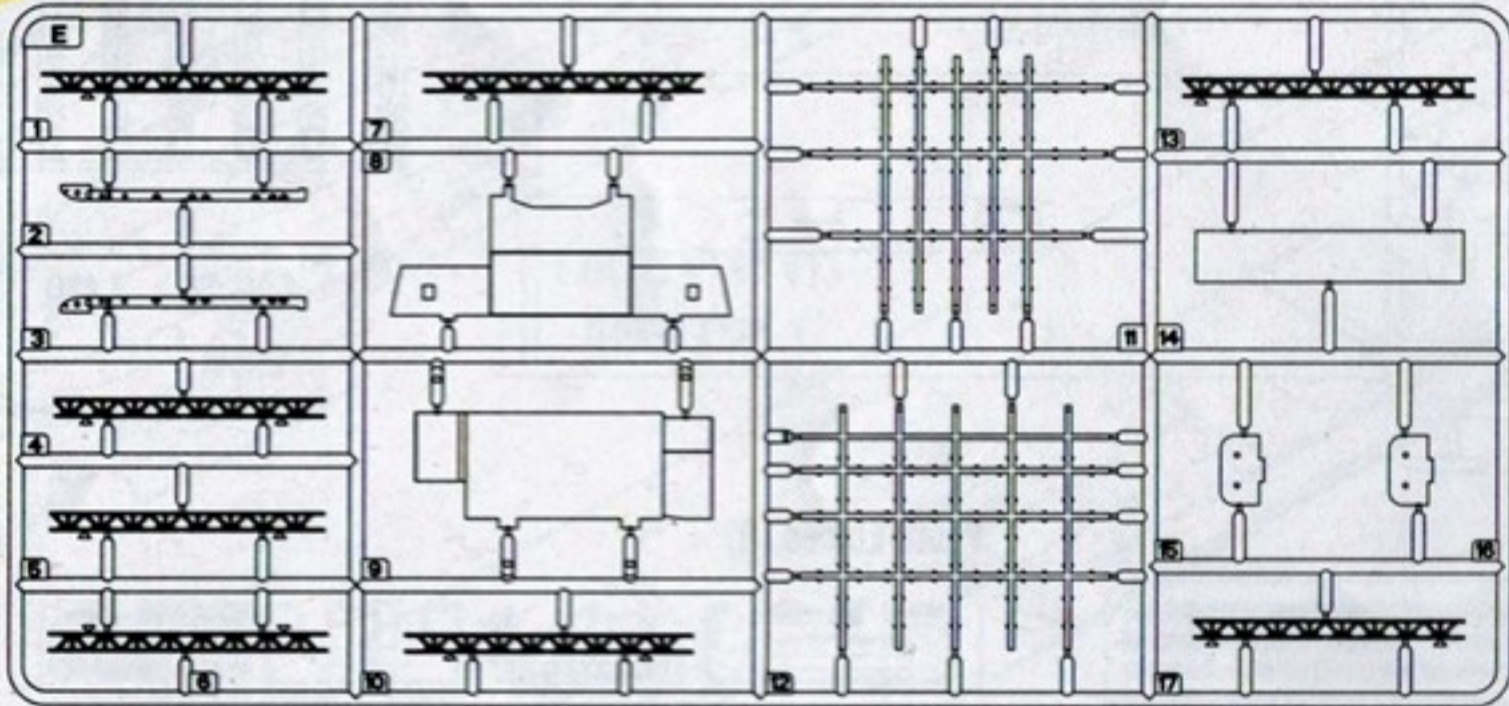
C



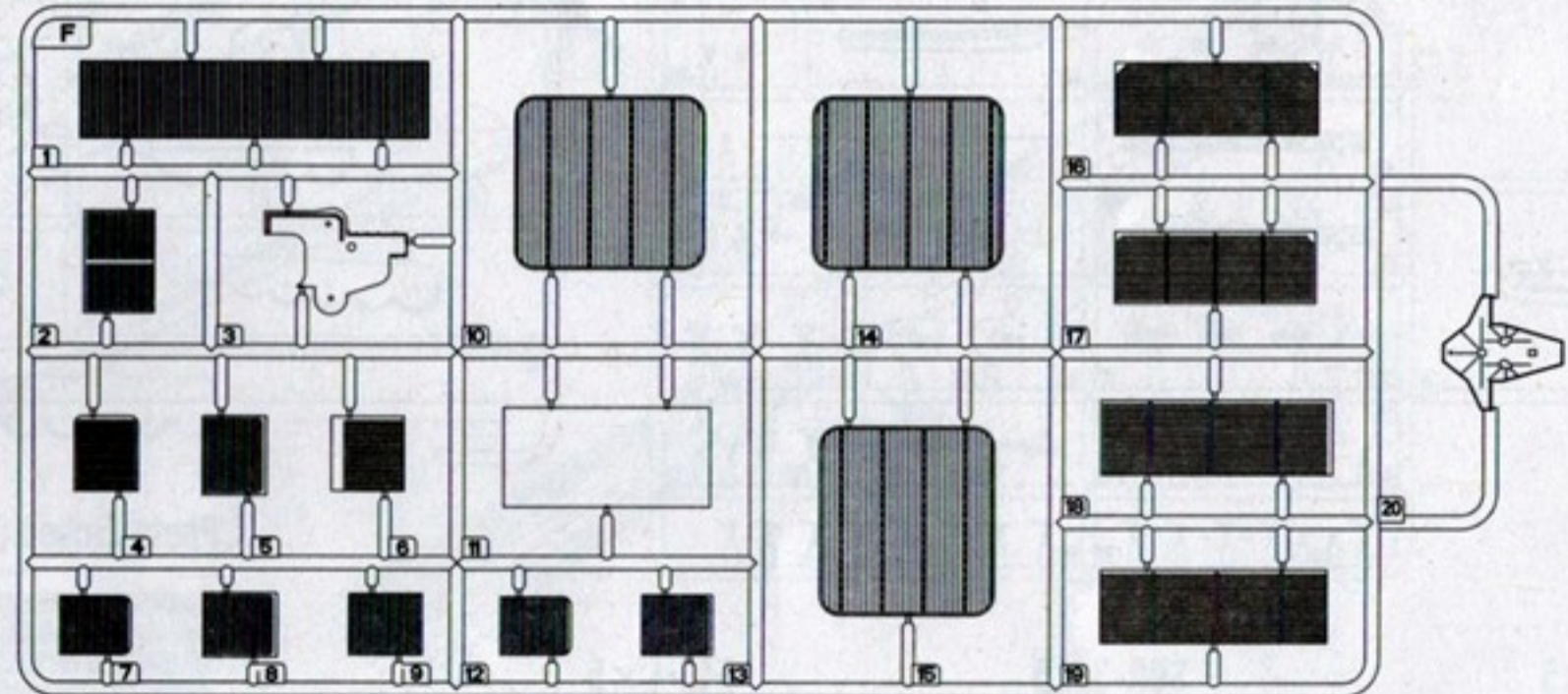
D



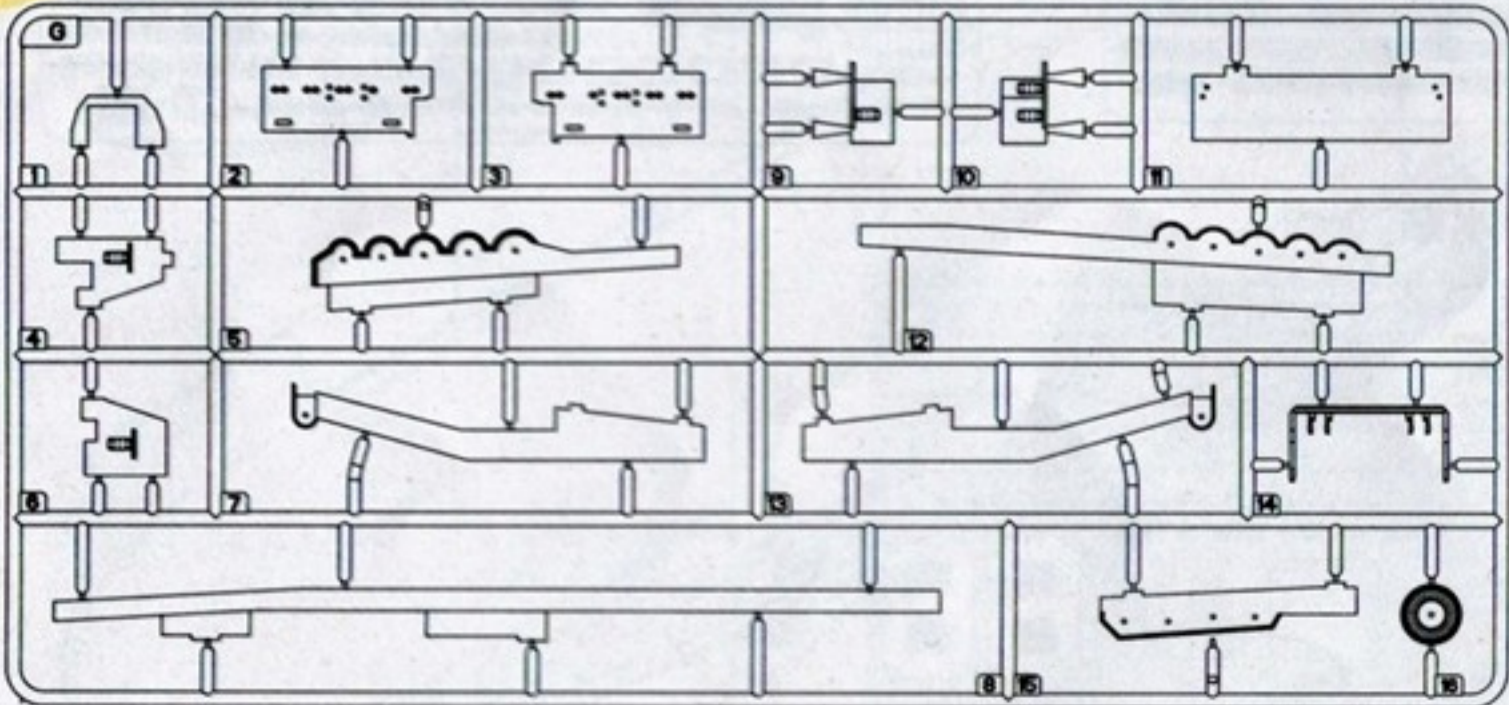
E



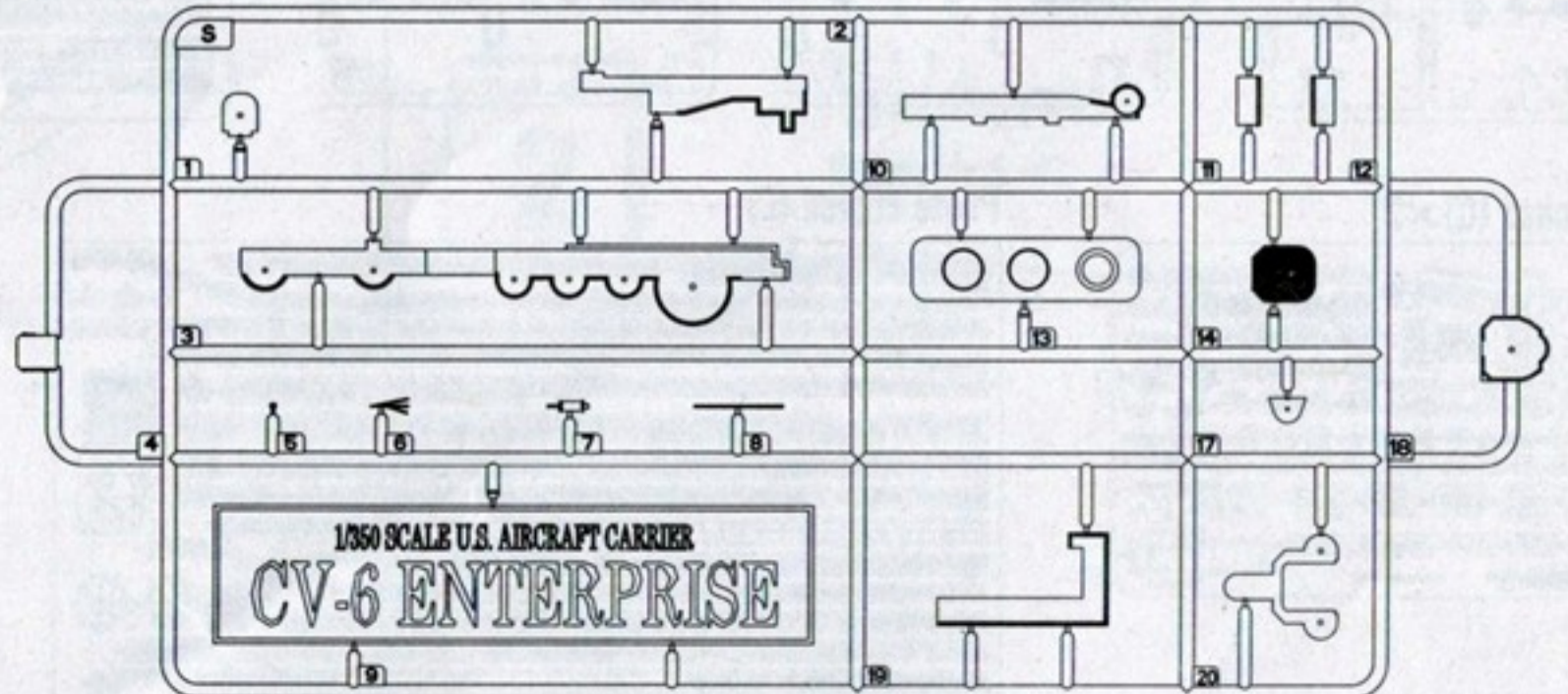
F



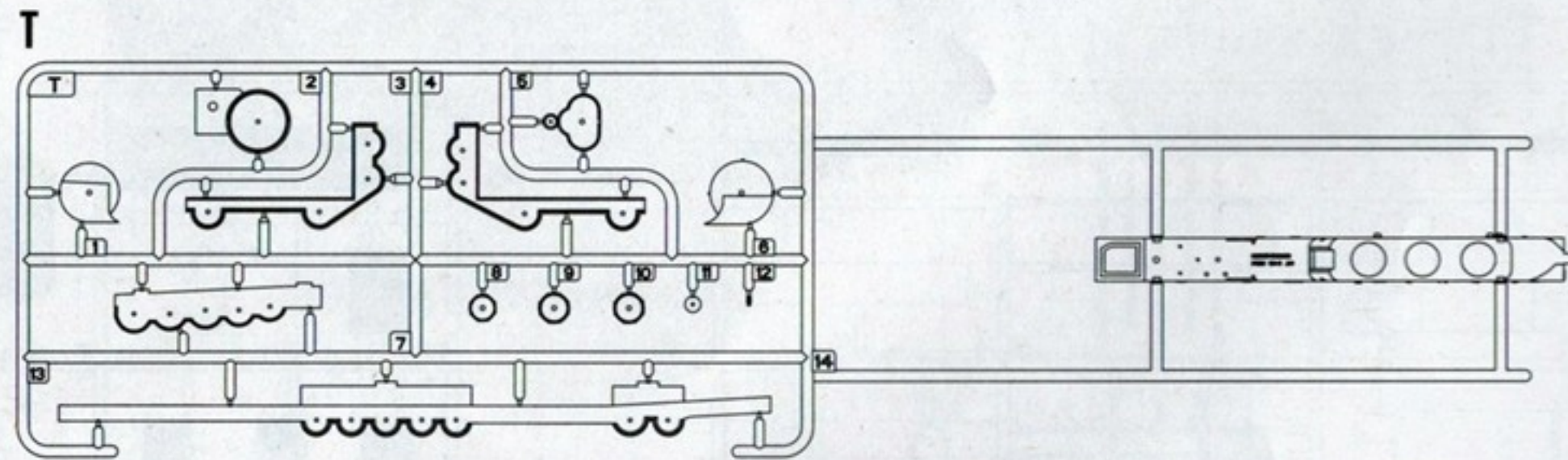
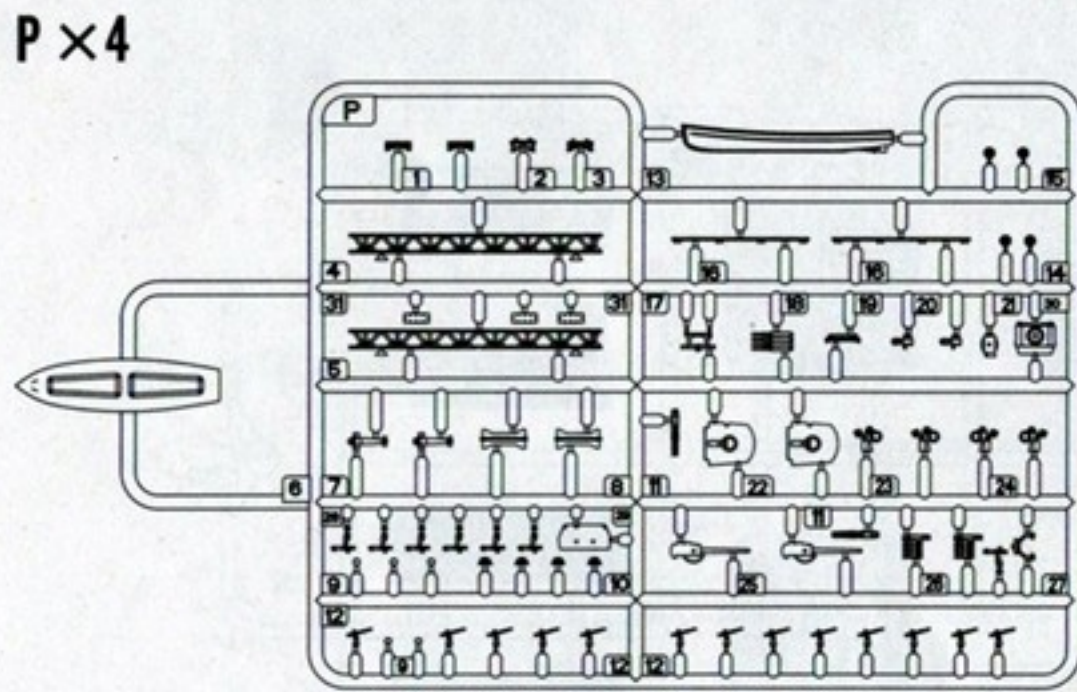
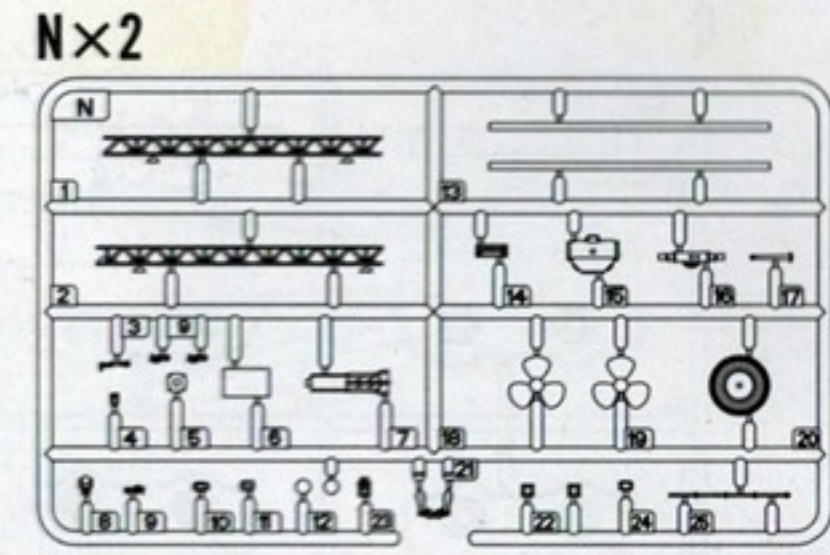
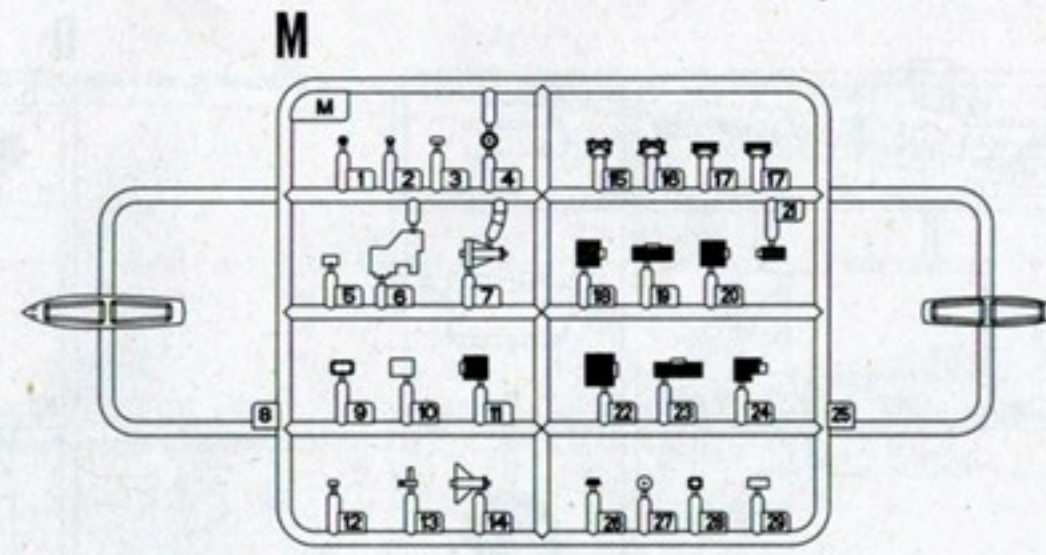
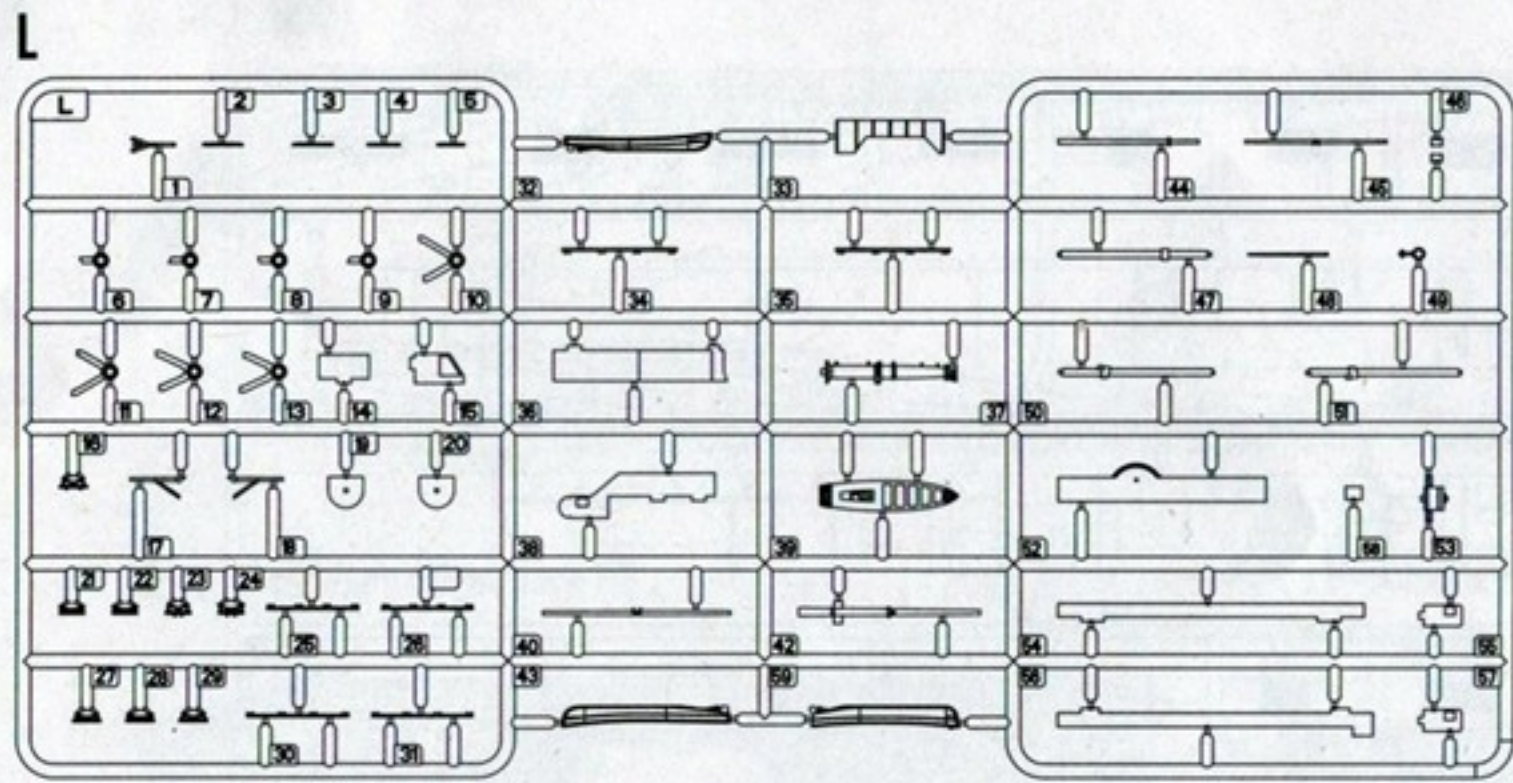
G



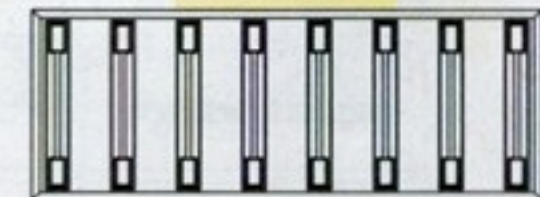
S



1350 SCALE U.S. AIRCRAFT CARRIER
CV-6 ENTERPRISE



《座架》 Stand



《锚链》 L:130
Chain



Photo Etched (A)

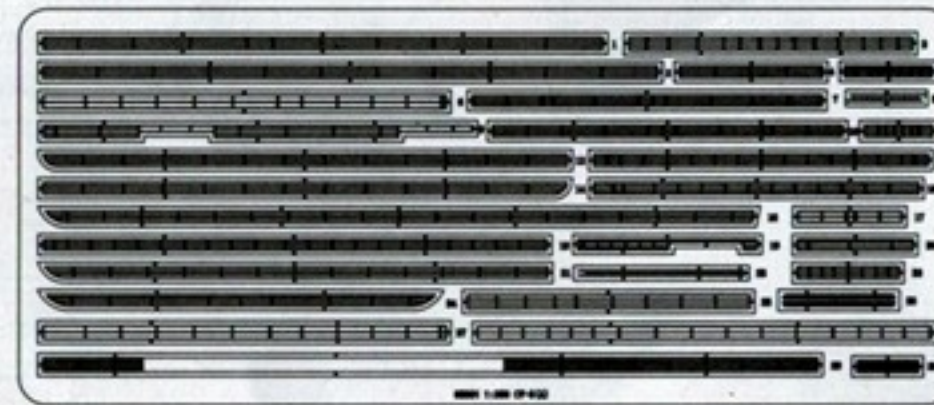
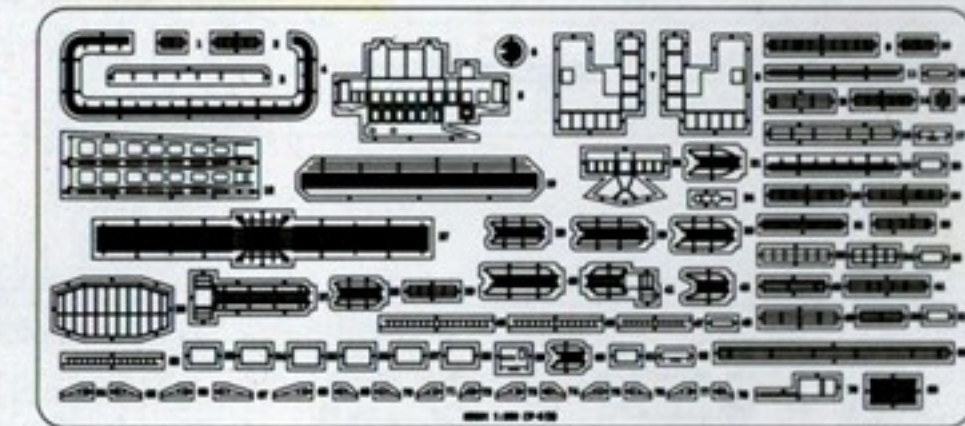
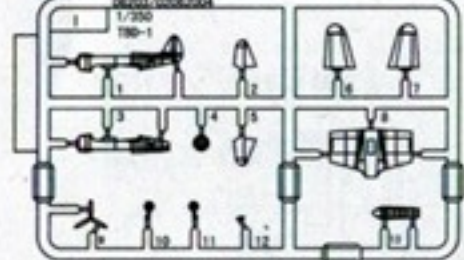


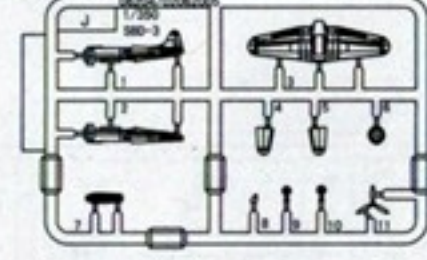
Photo Etched (B)



TBD-1×5



SBD-3×5



F4F-4×5

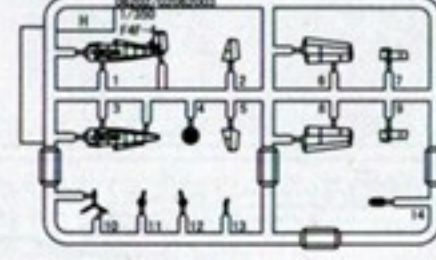


Photo Etched (C)×2

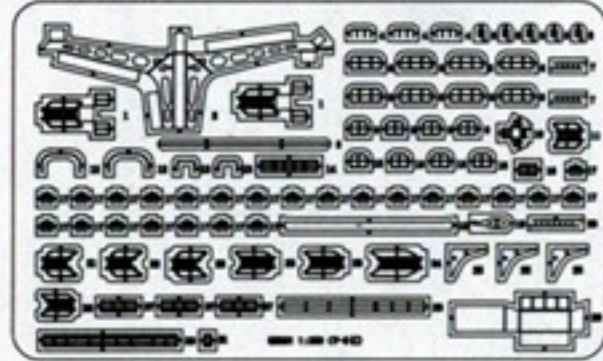
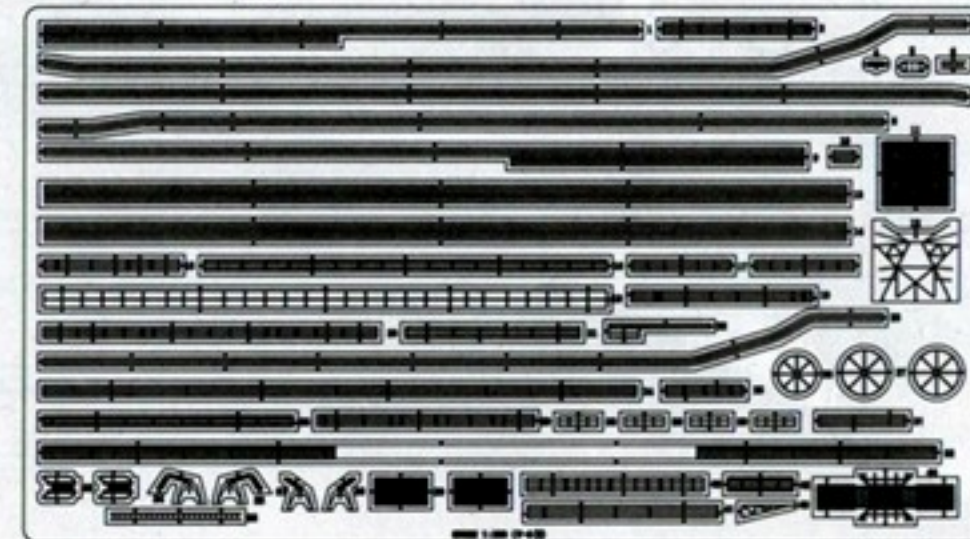
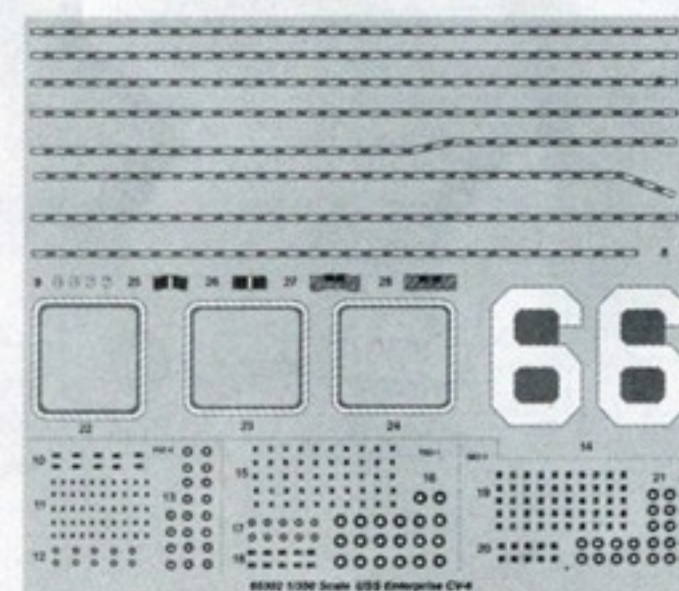


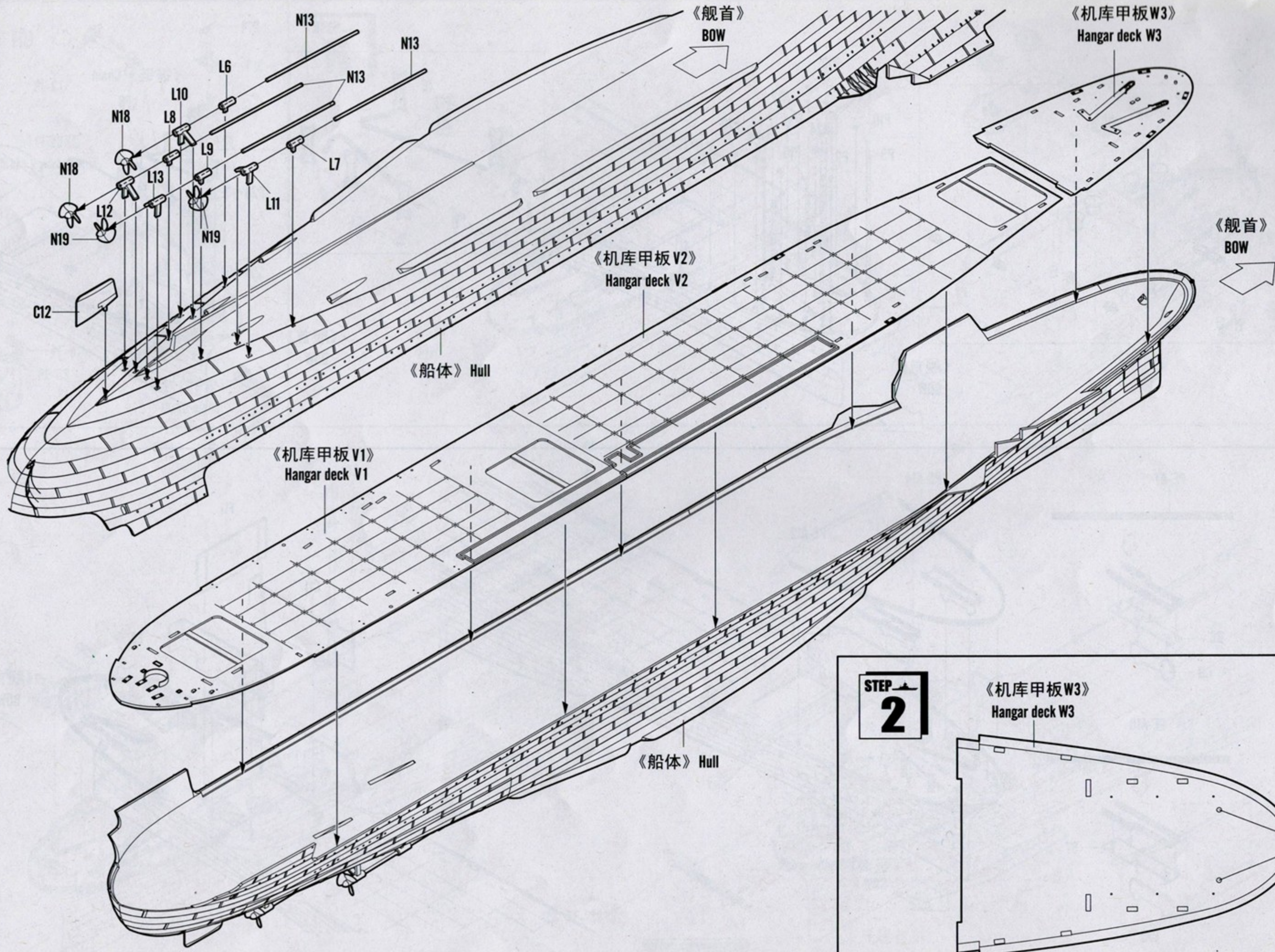
Photo Etched (E)



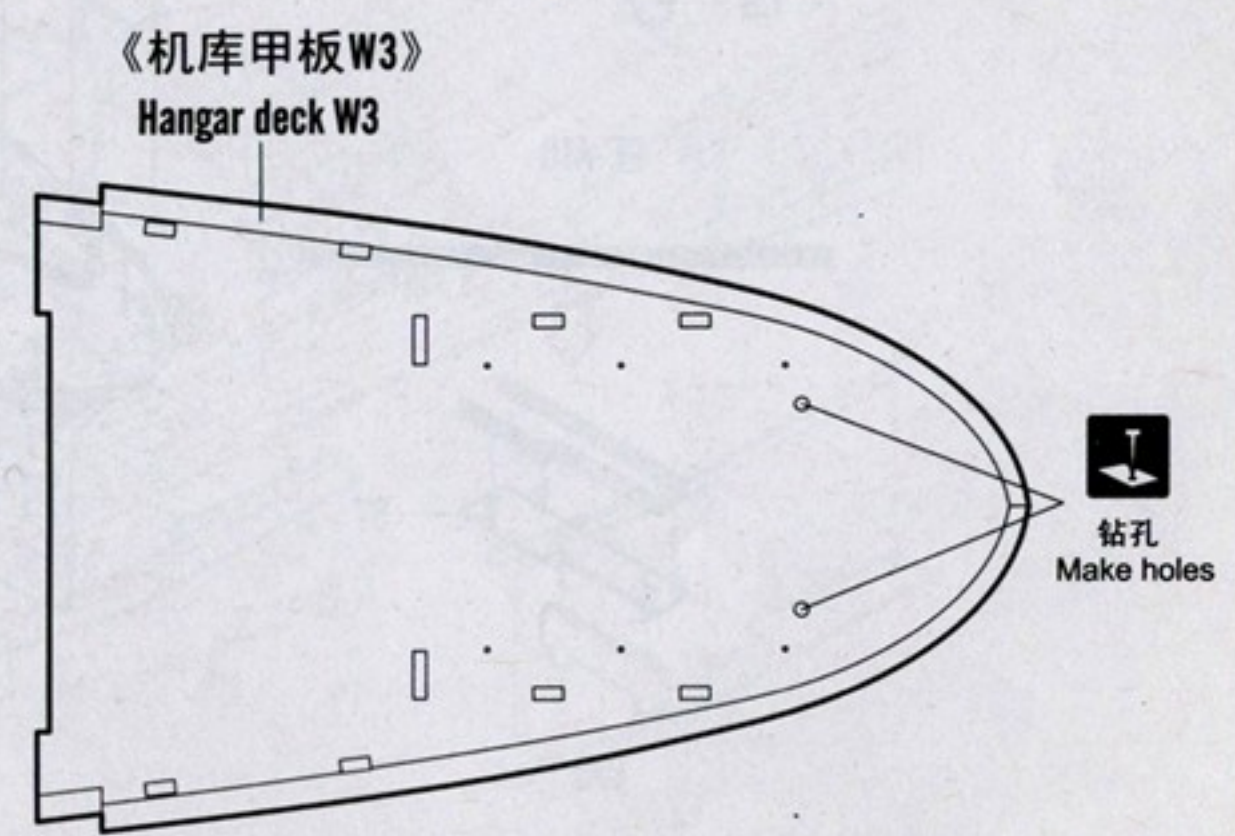
水贴 Decal



STEP
1

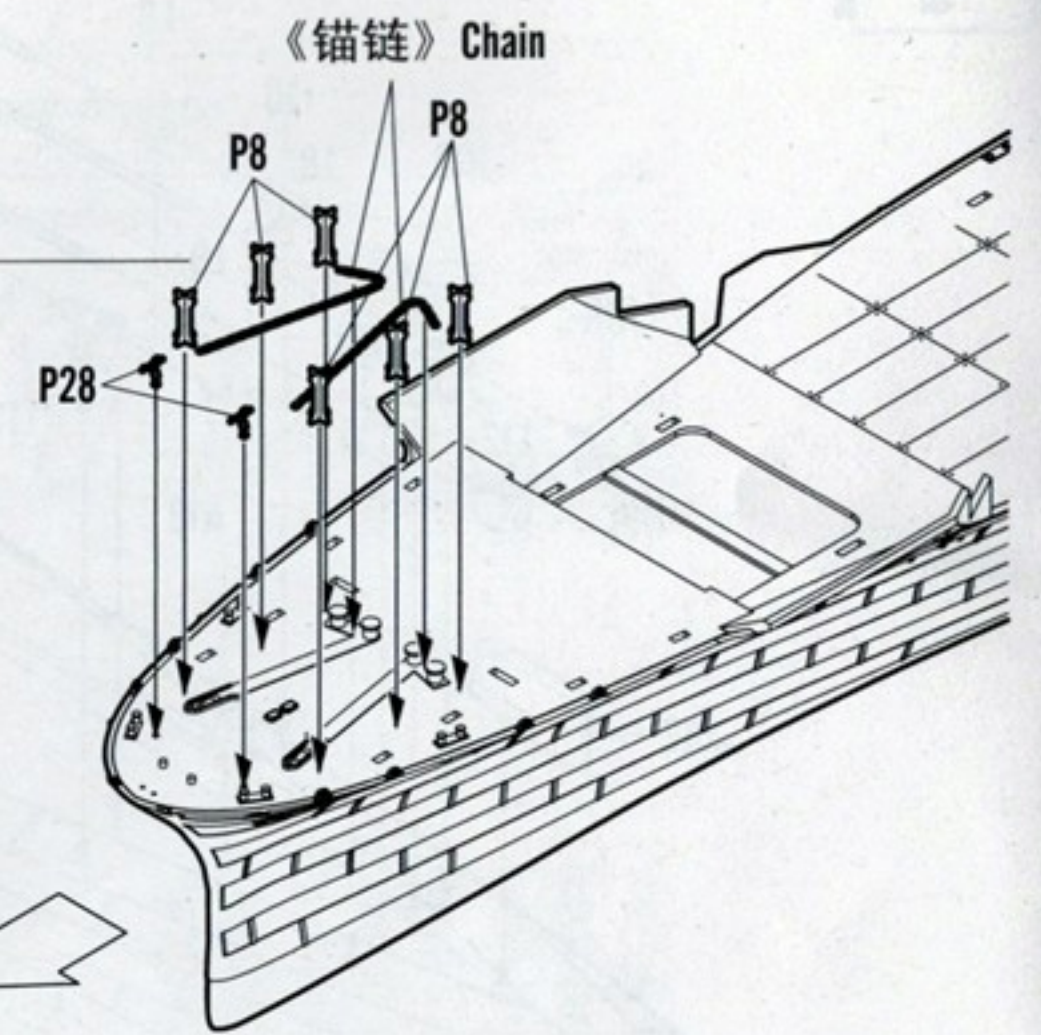
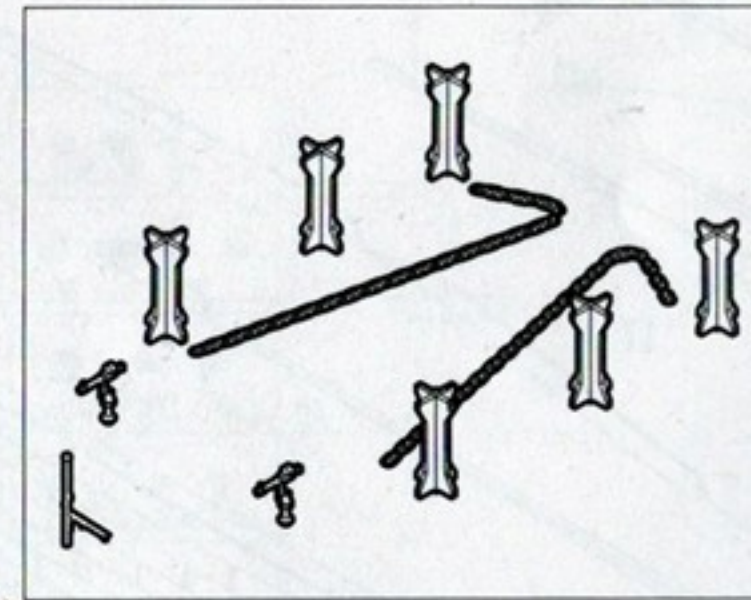
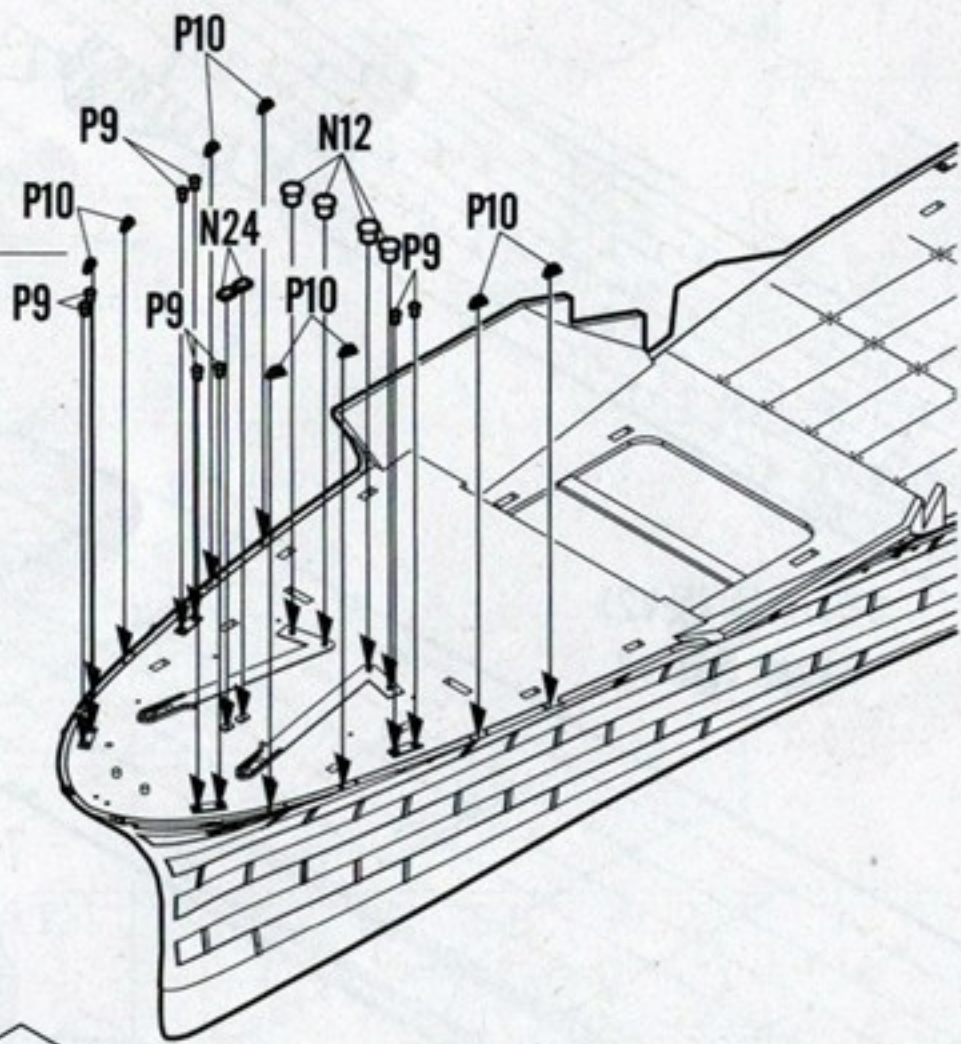
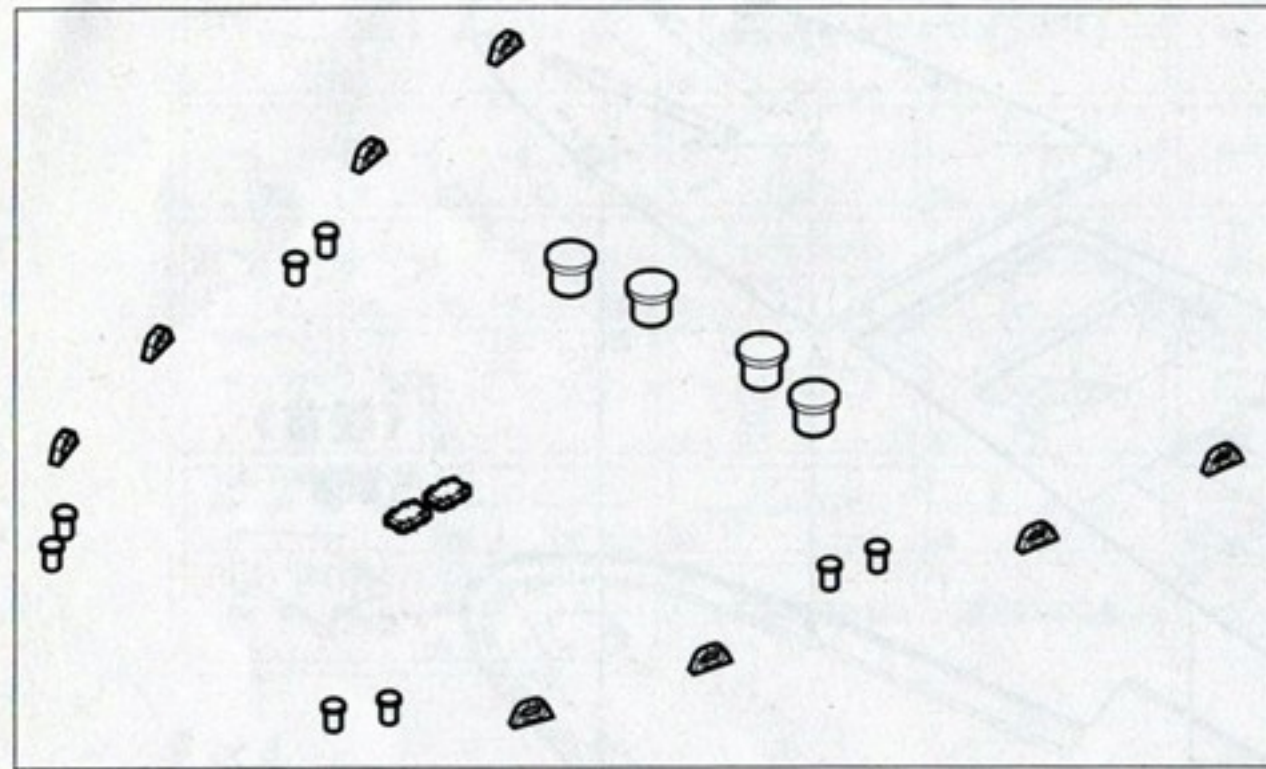


STEP
2



STEP

3

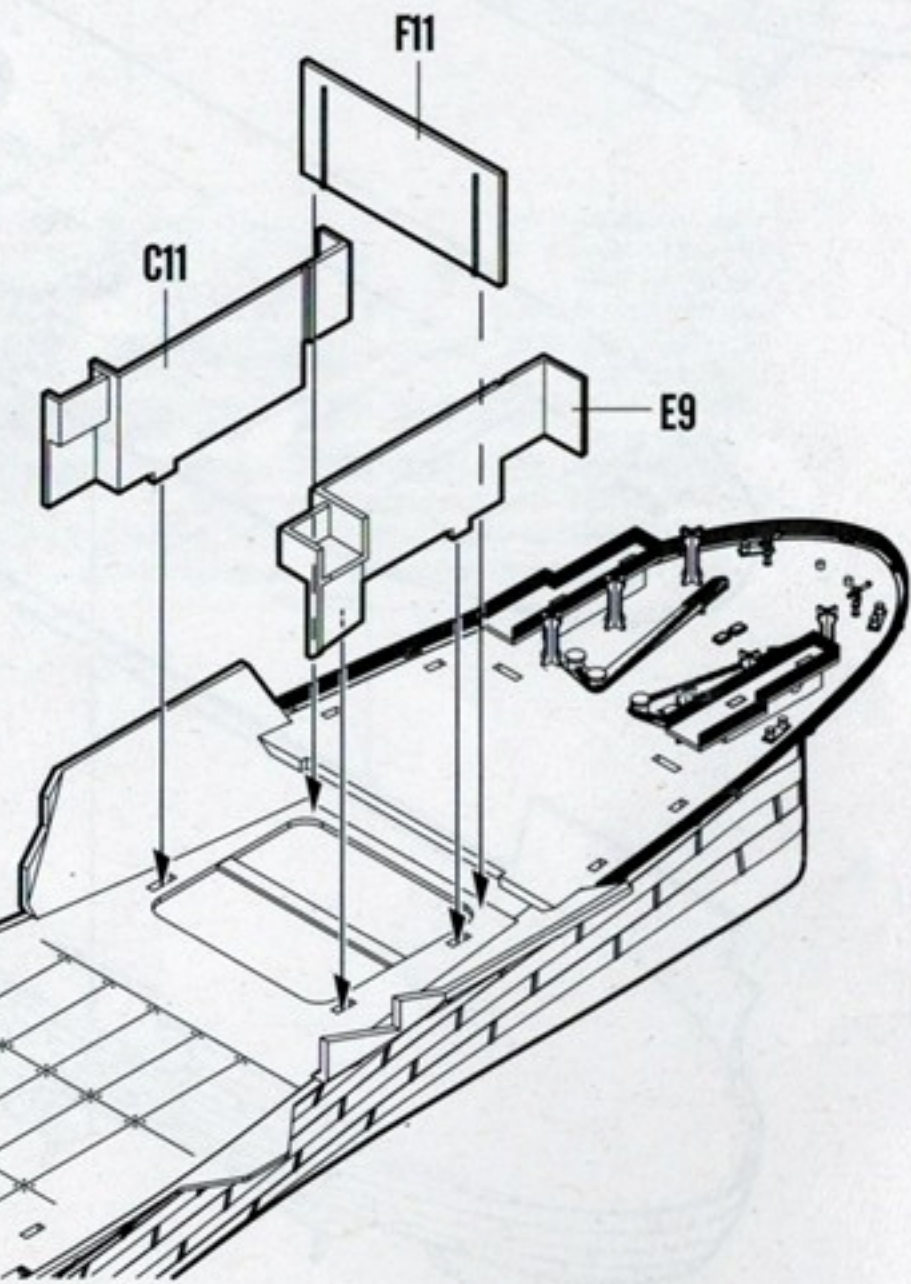
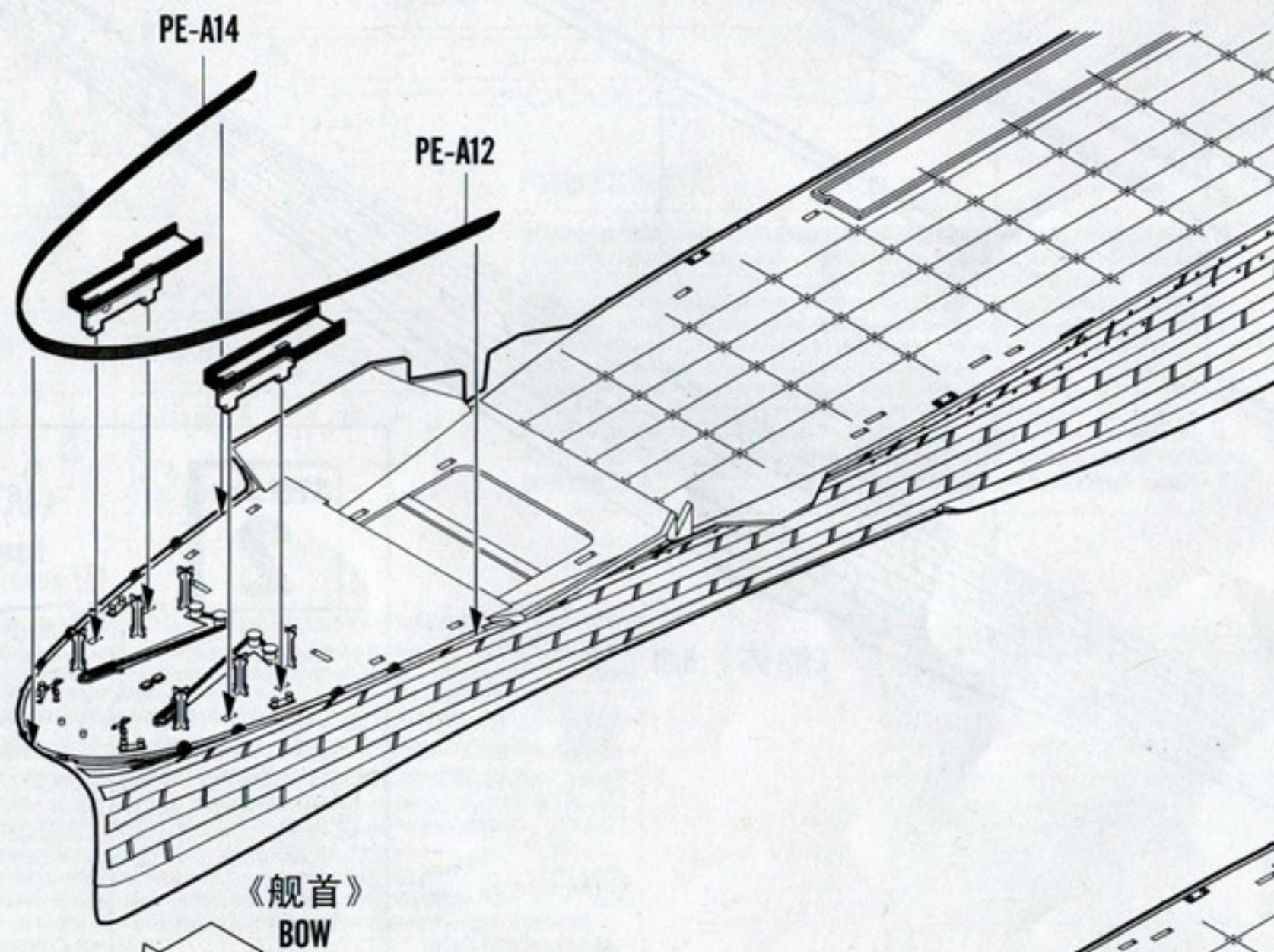
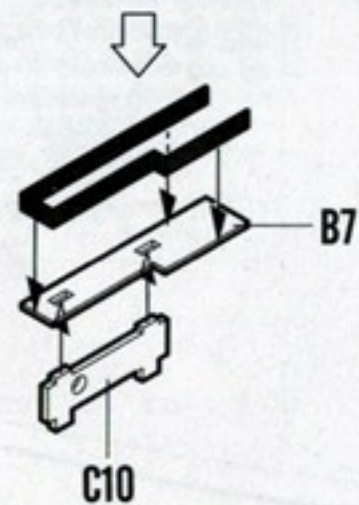
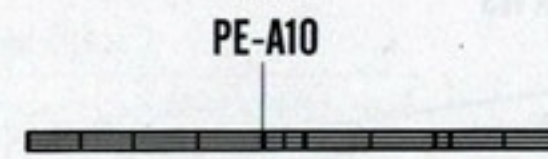
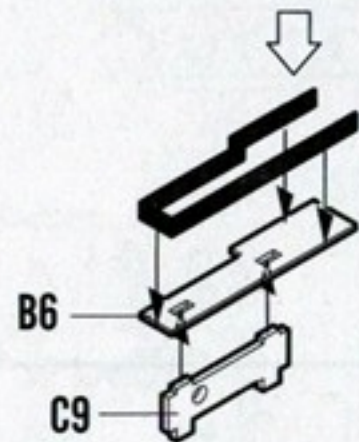
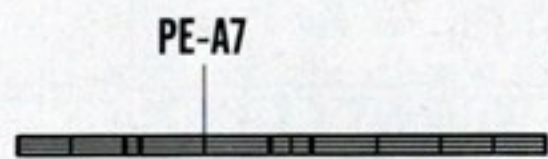


《舰首》
BOW

《舰首》
BOW

STEP

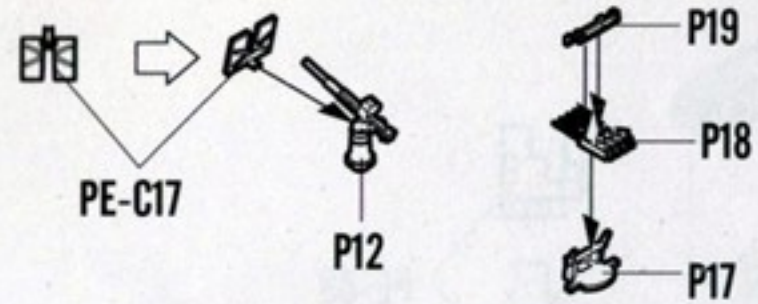
4



《舰首》
BOW

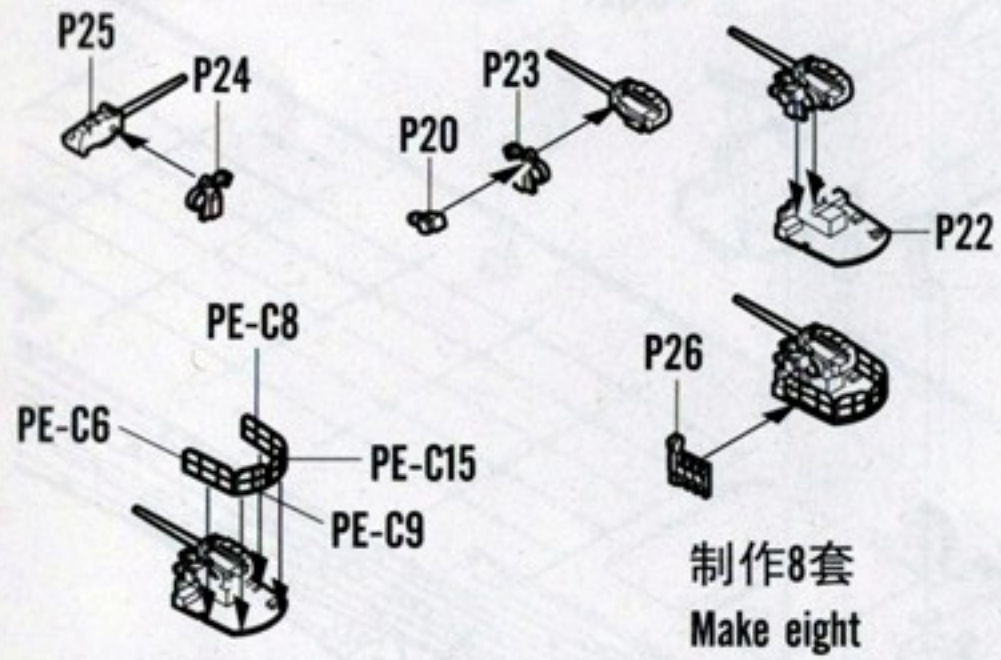
《舰首》
BOW

STEP 5

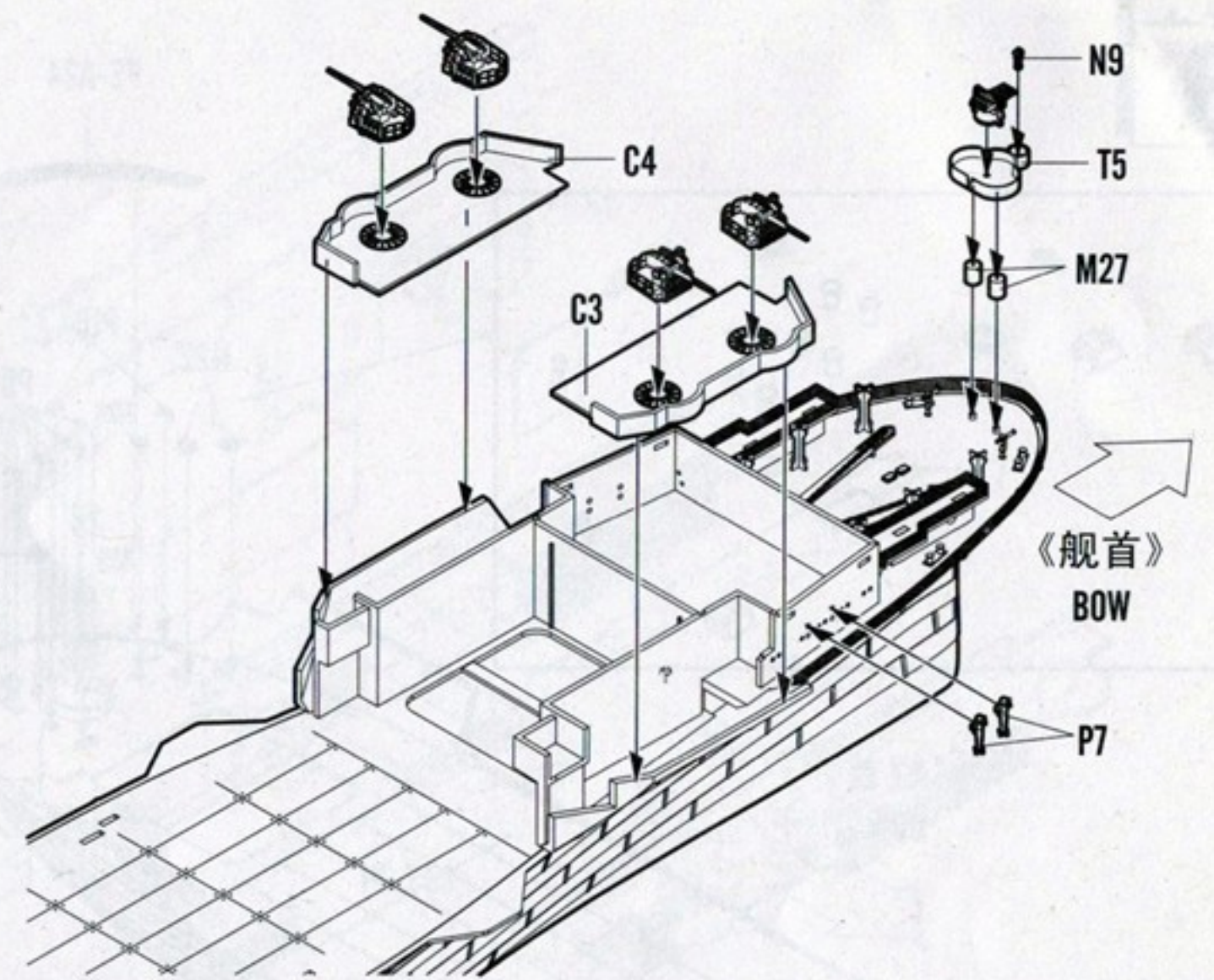
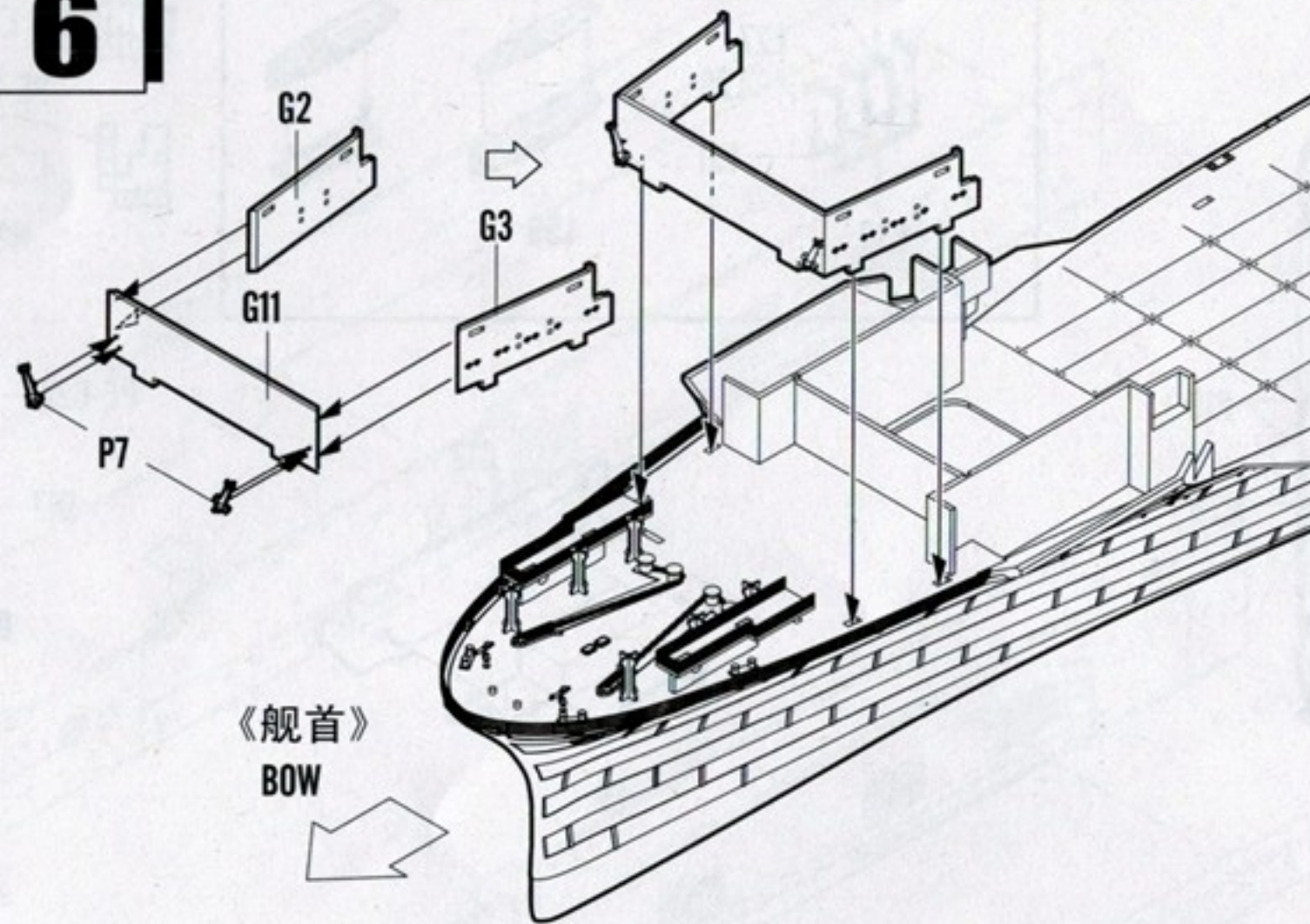


制作23套
Make twenty three

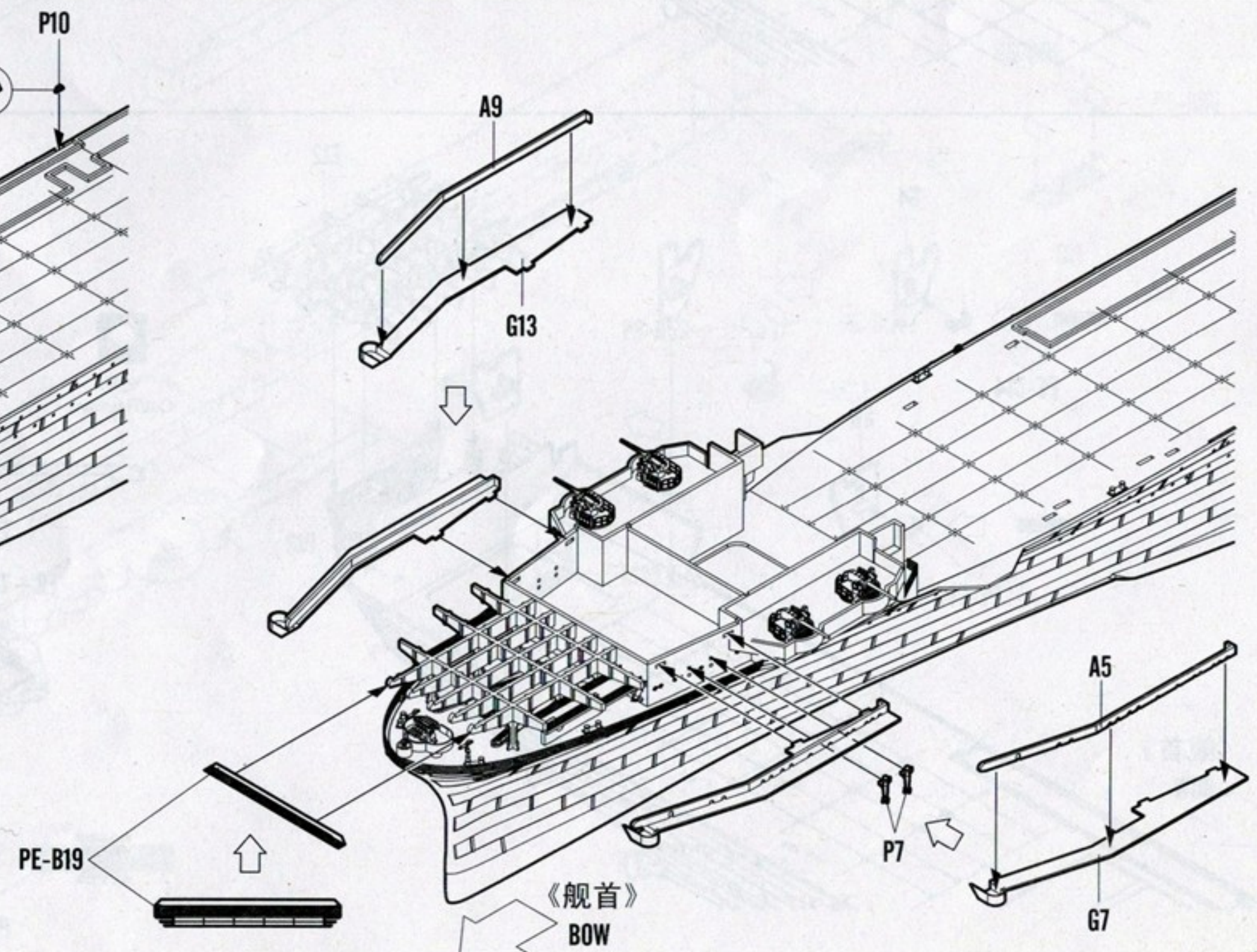
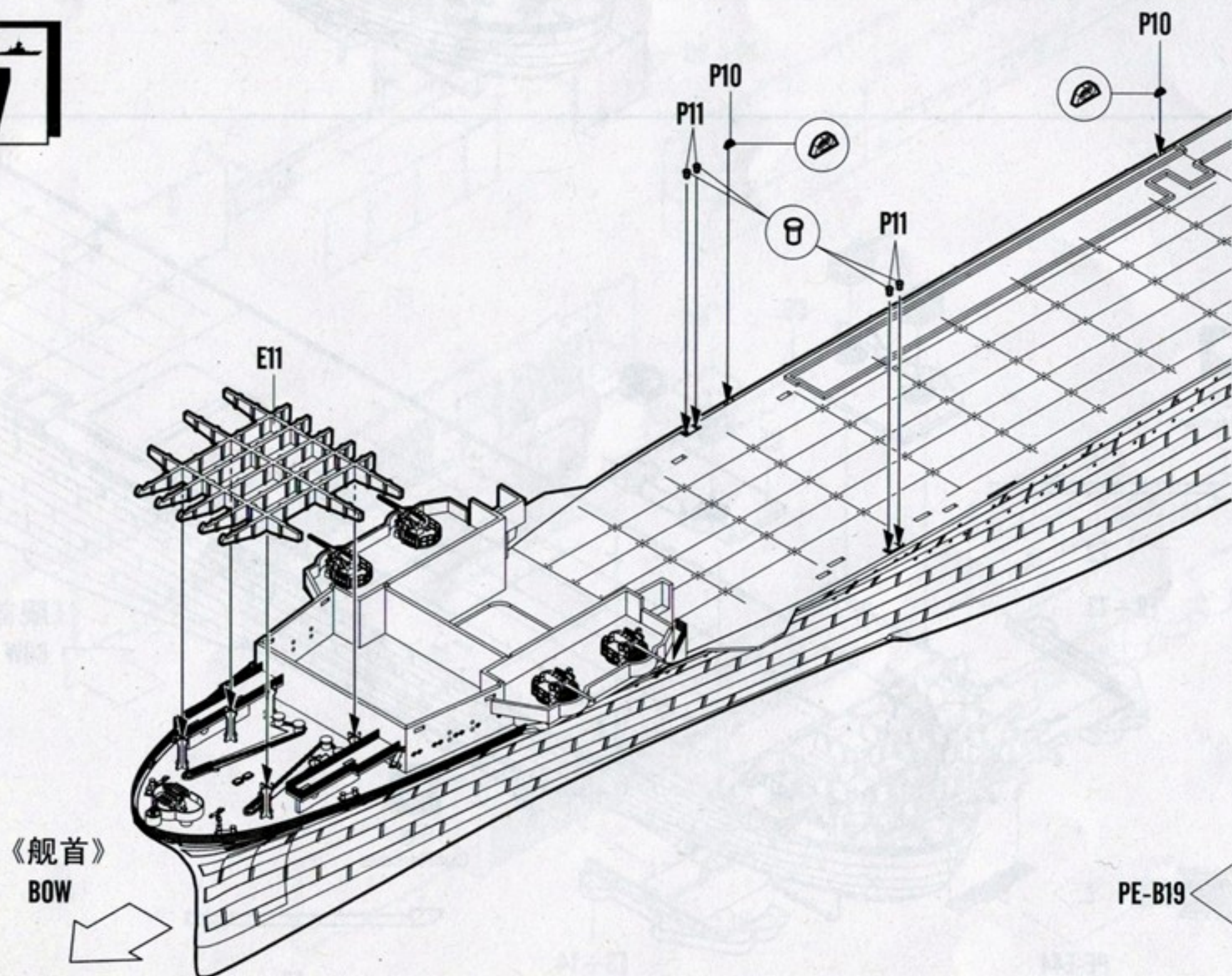
制作4套
Make four



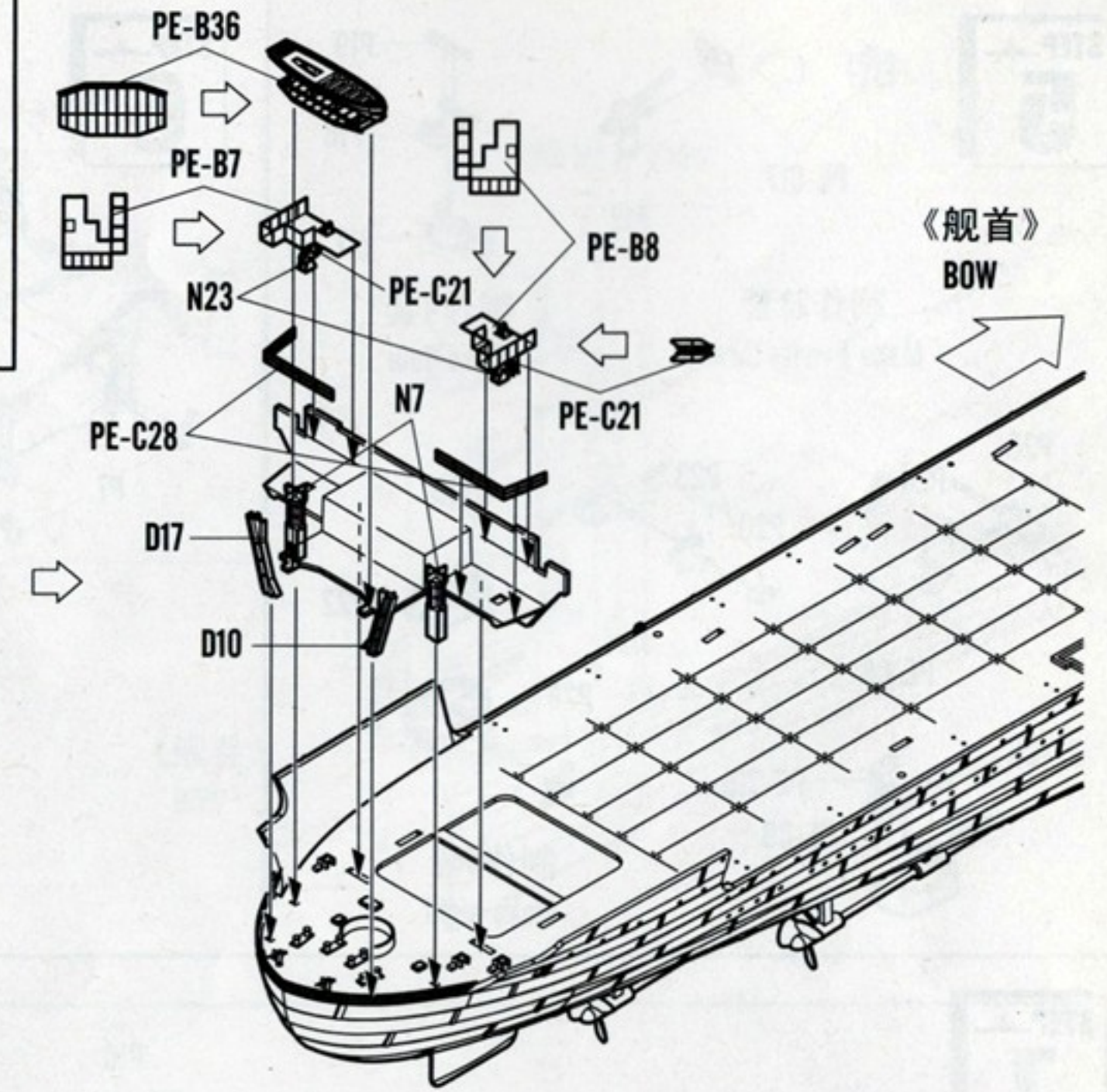
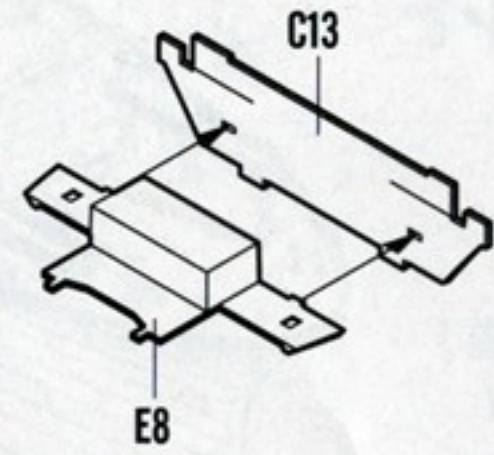
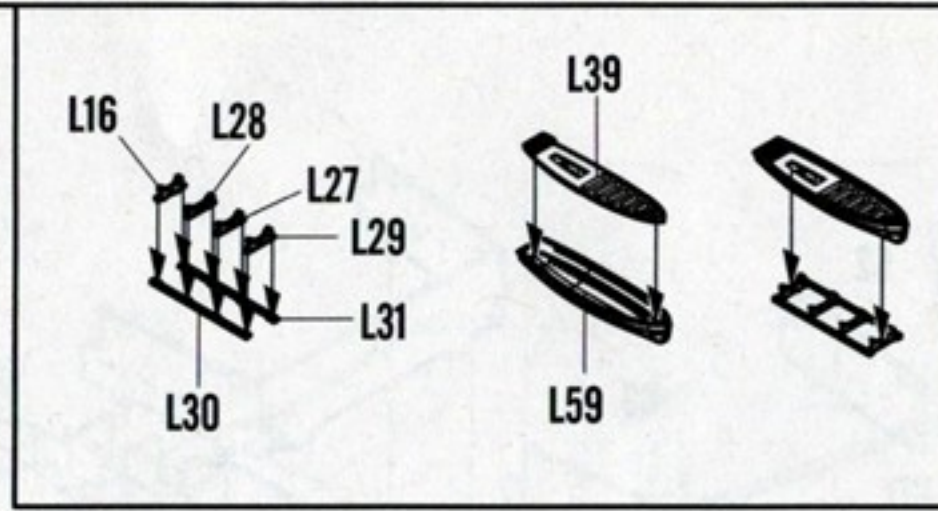
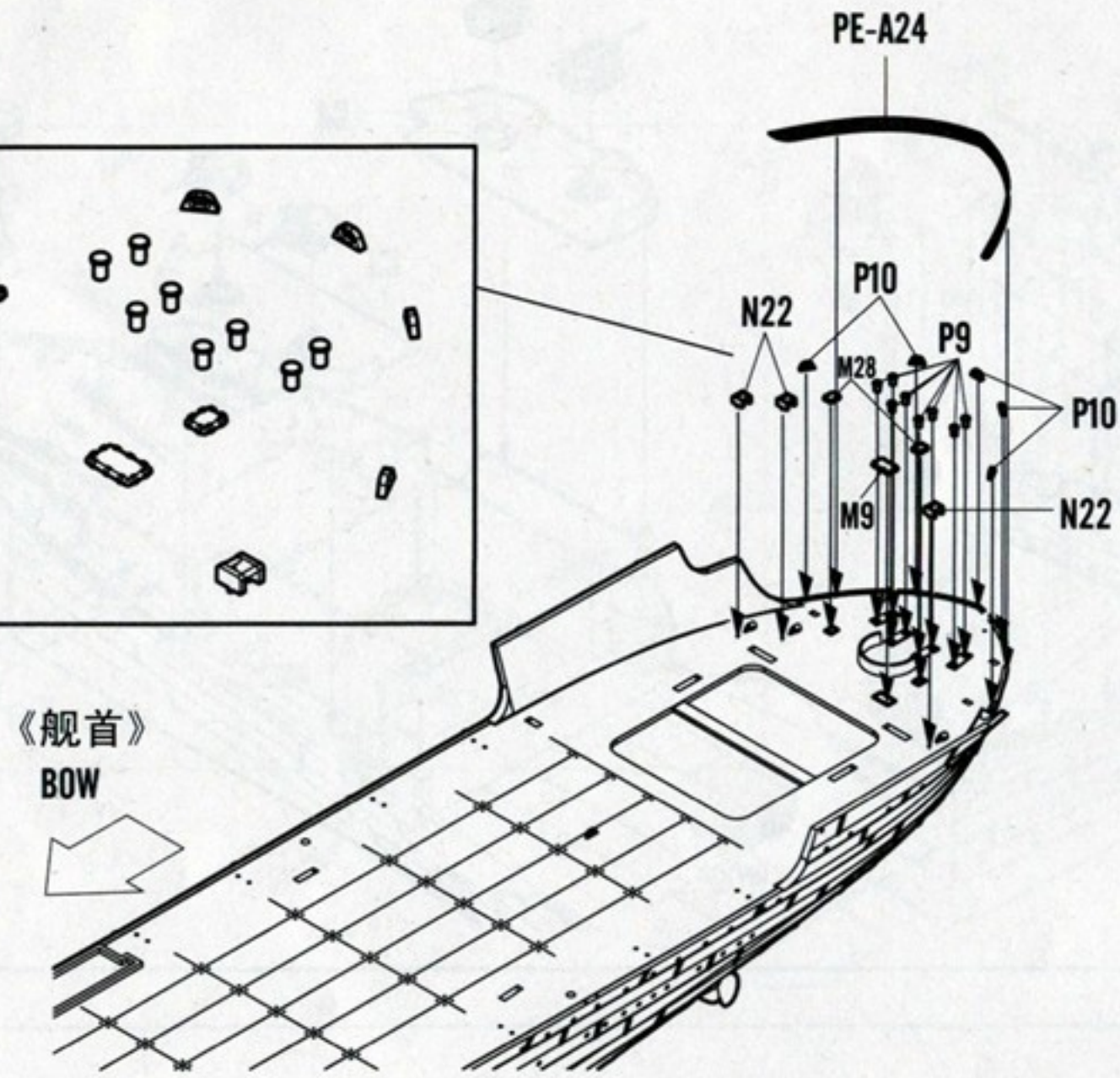
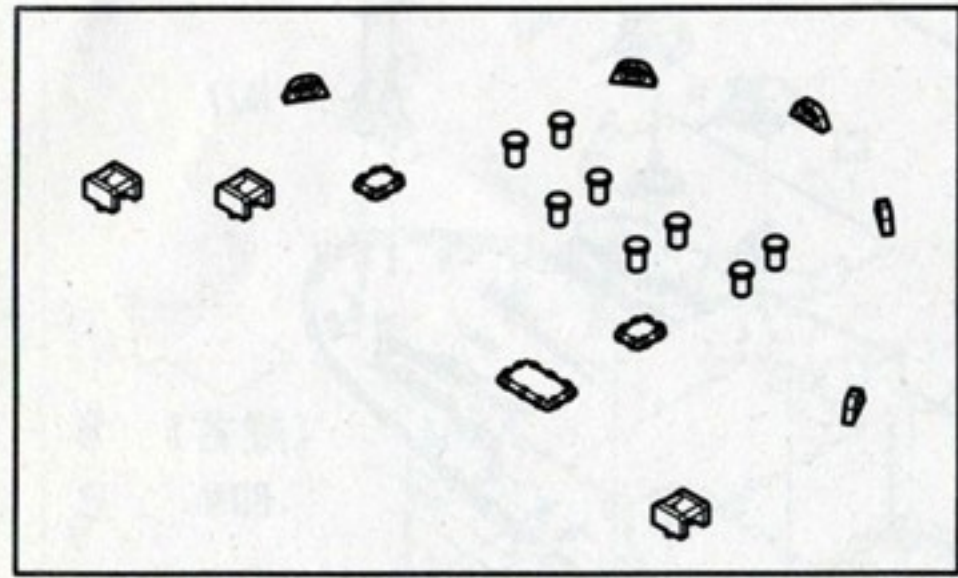
STEP 6



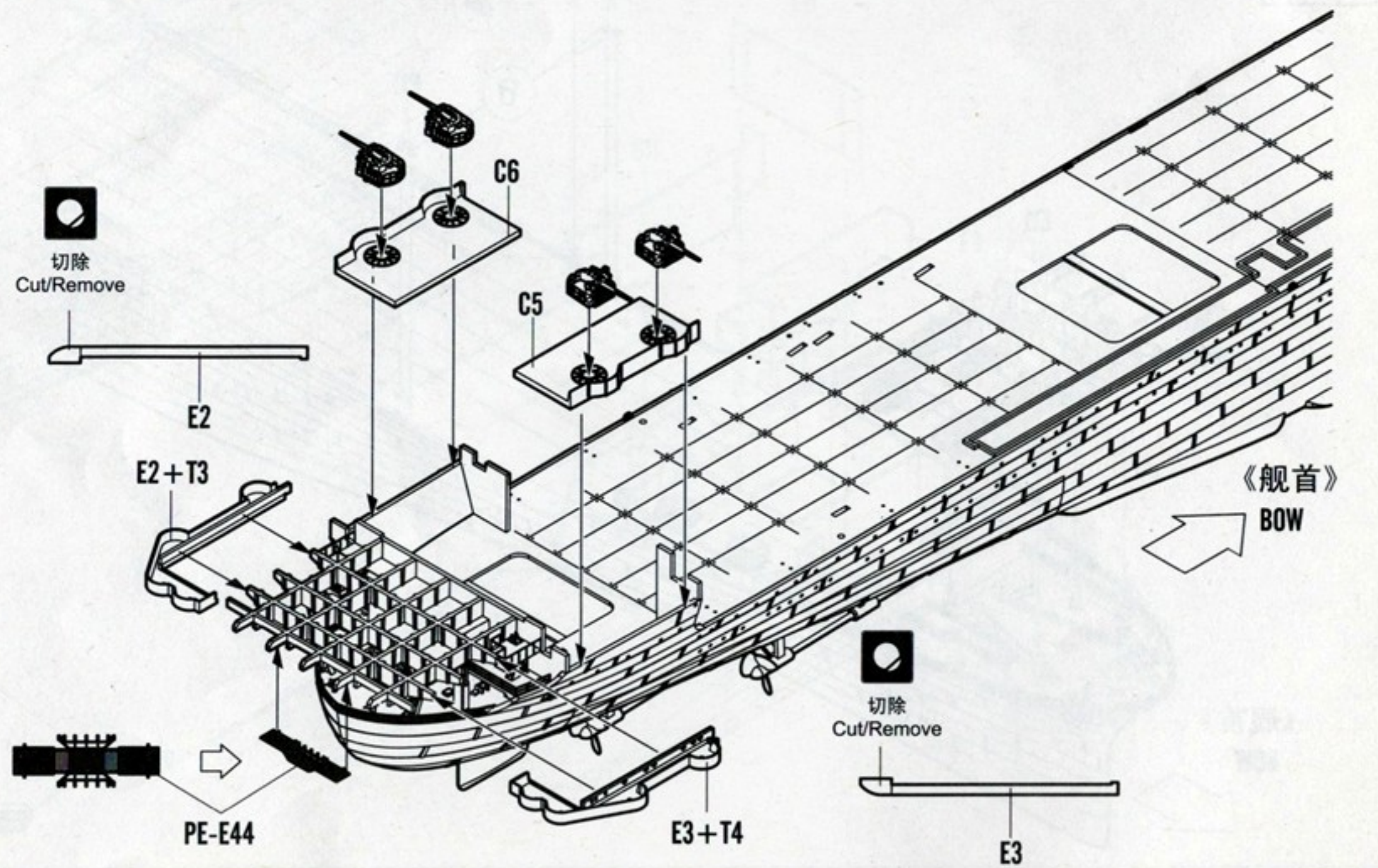
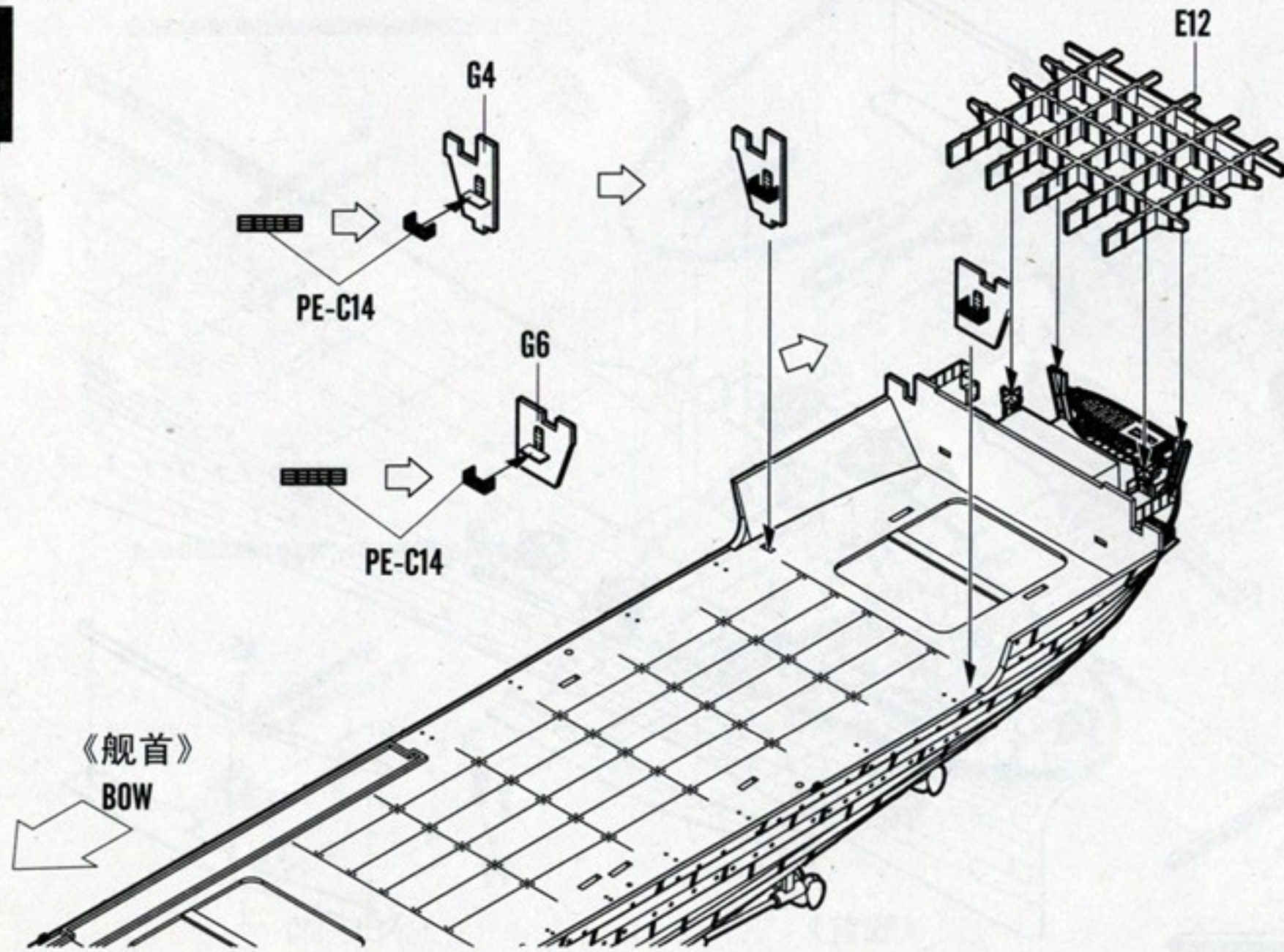
STEP 7



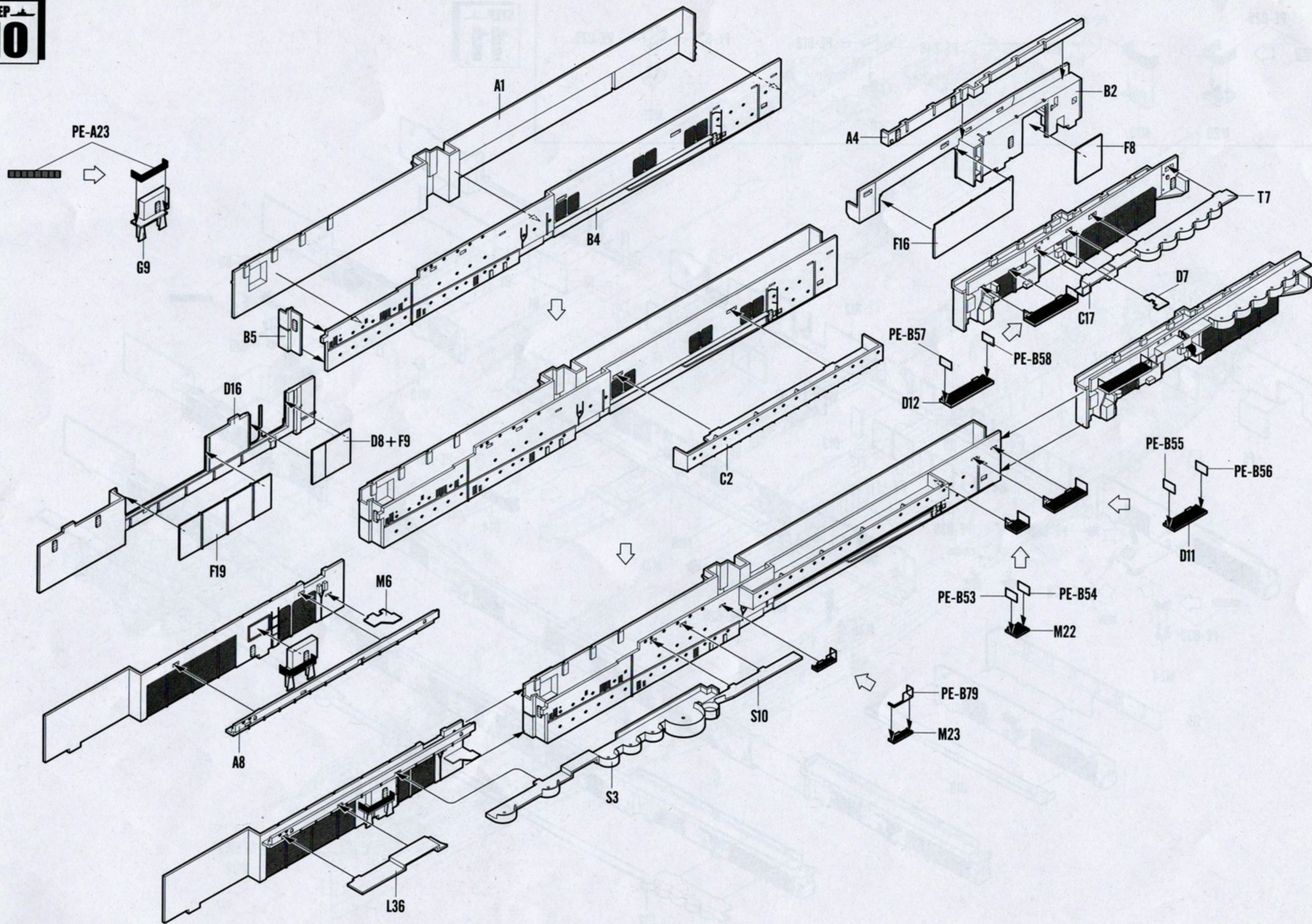
STEP 8

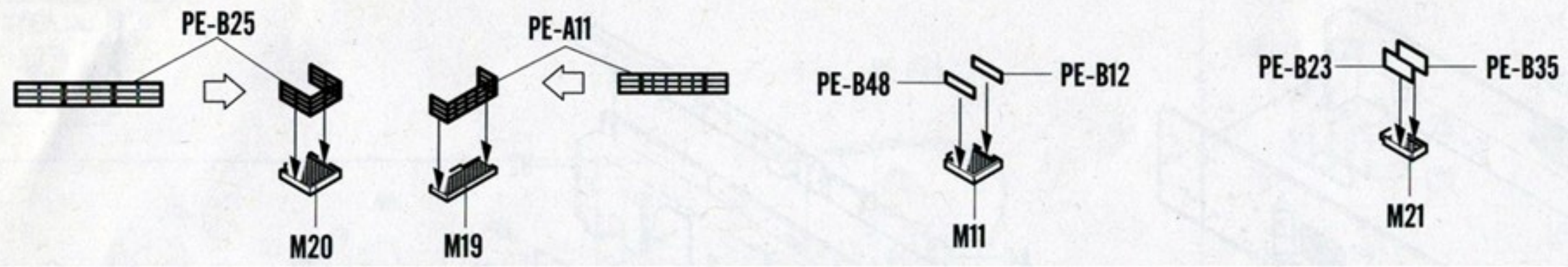


STEP 9

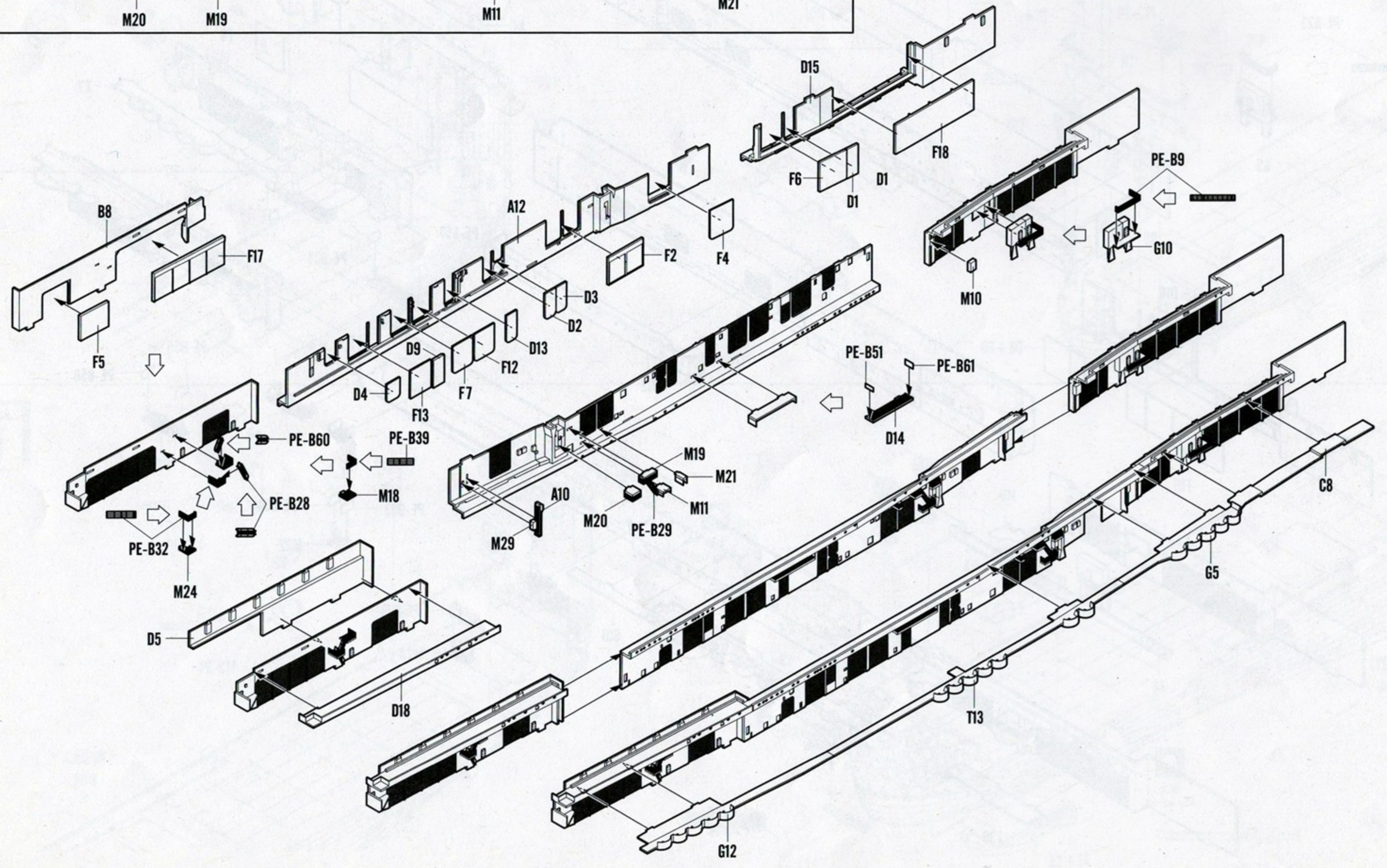


STEP
10

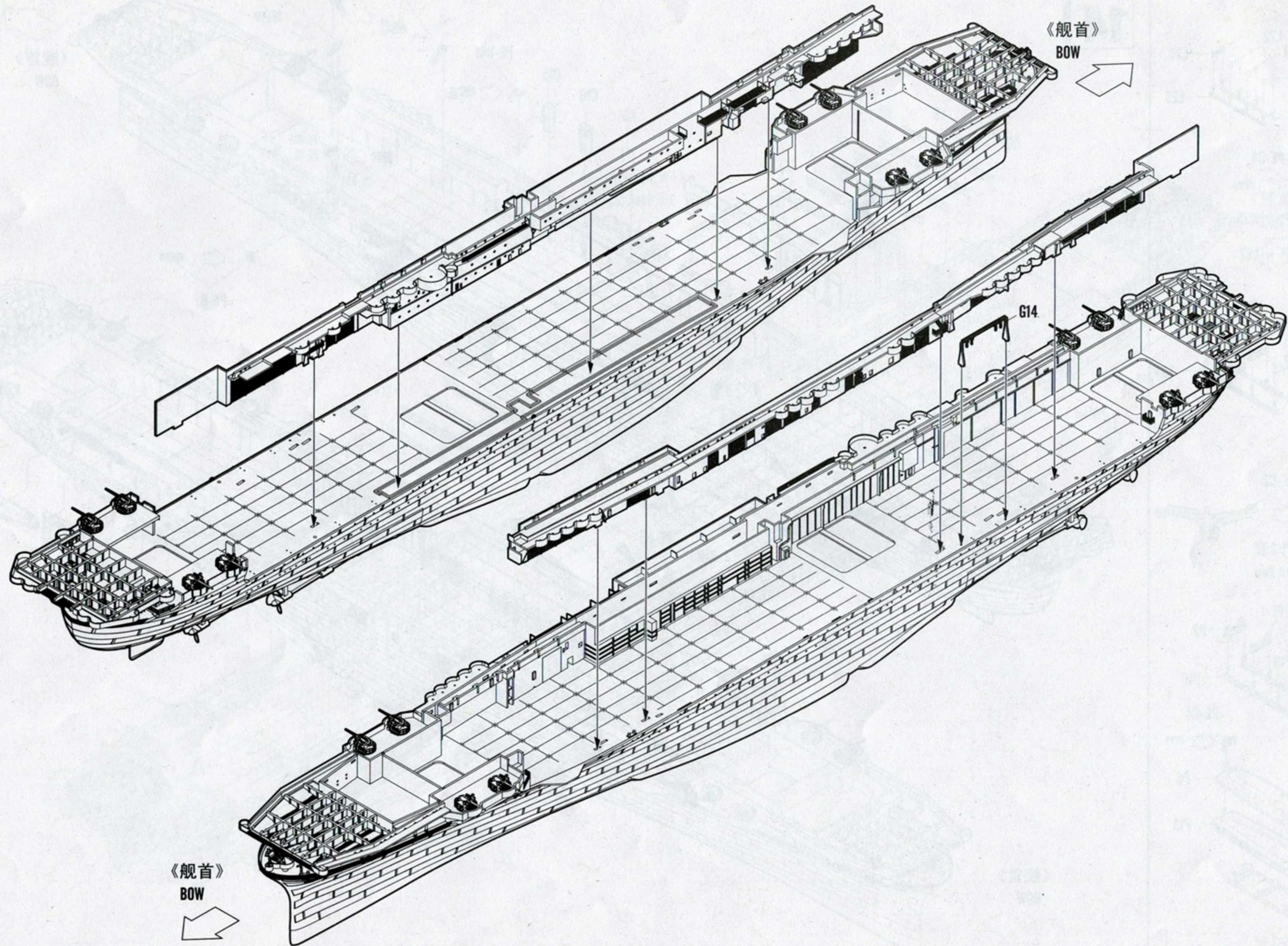




STEP
11



STEP
12

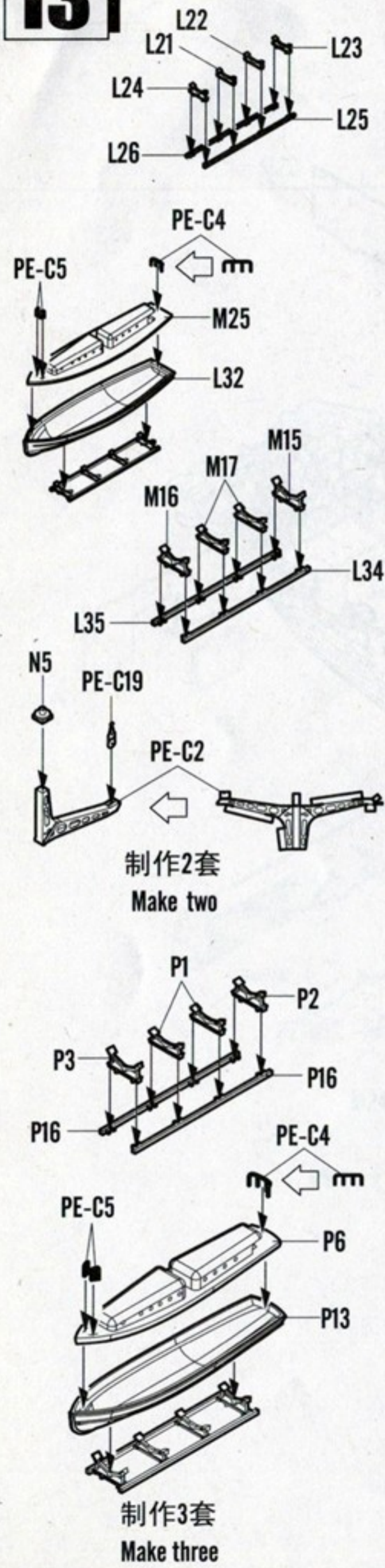


《舰首》
BOW
→

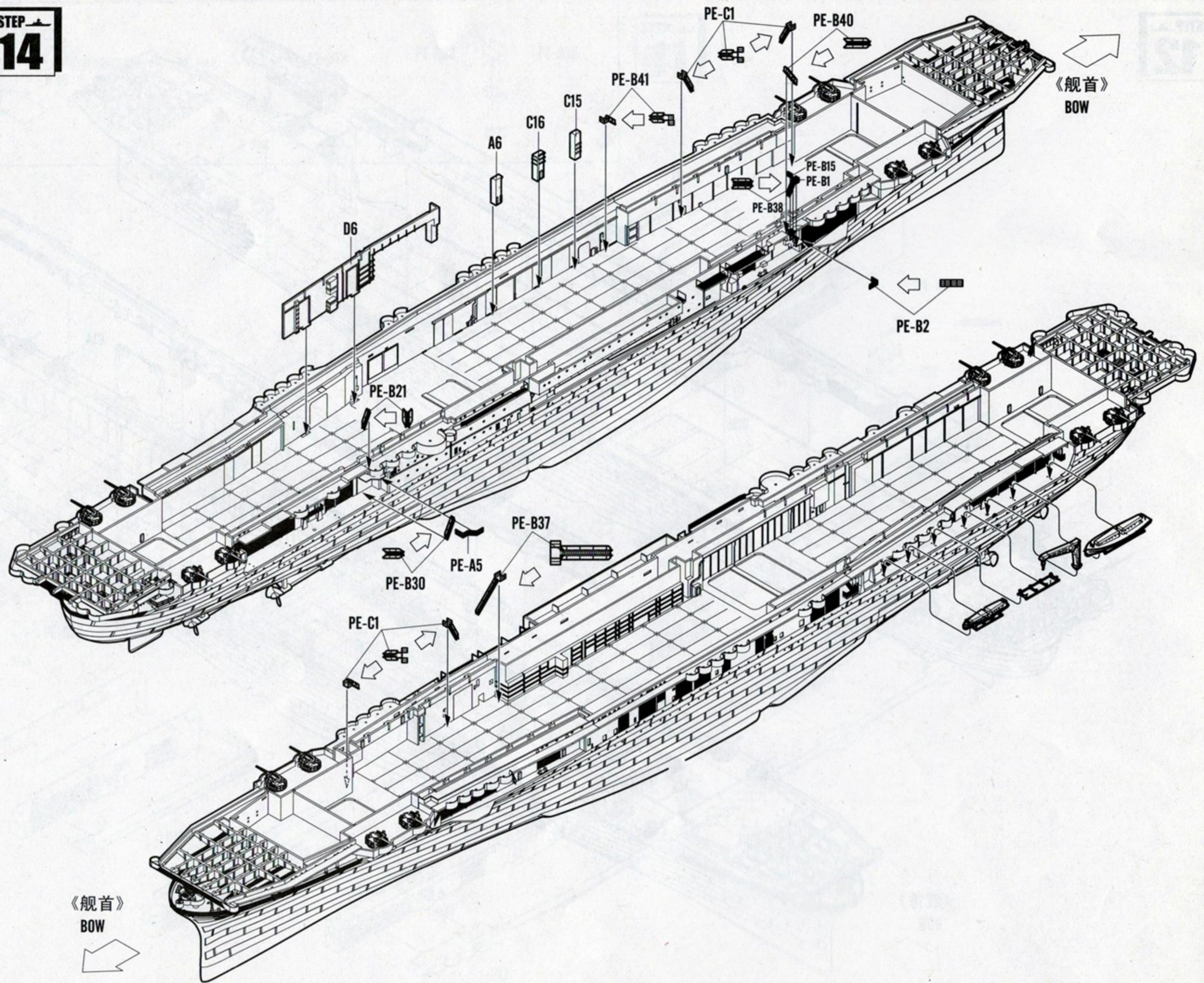
《舰首》
BOW
→

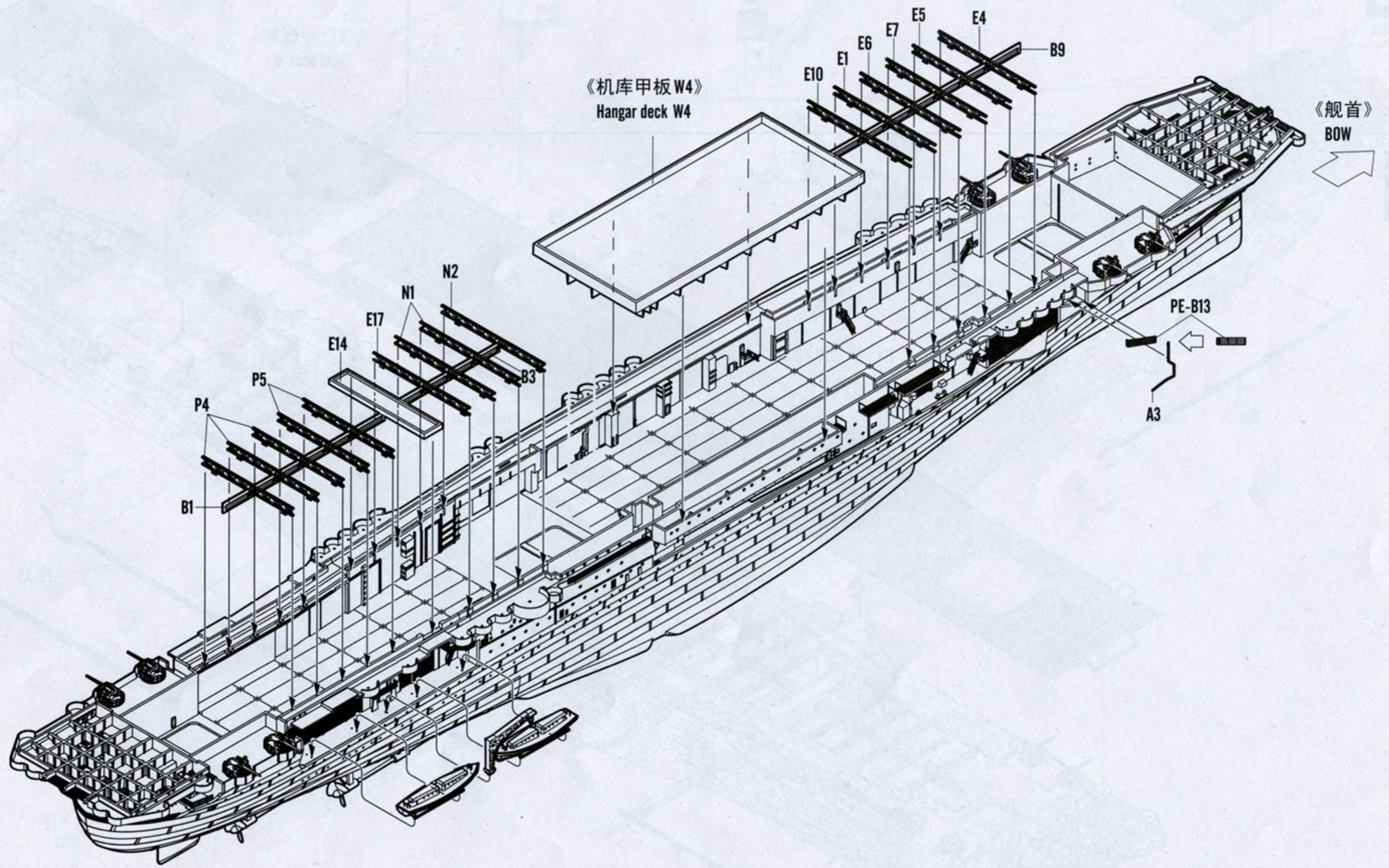
G14

STEP 13



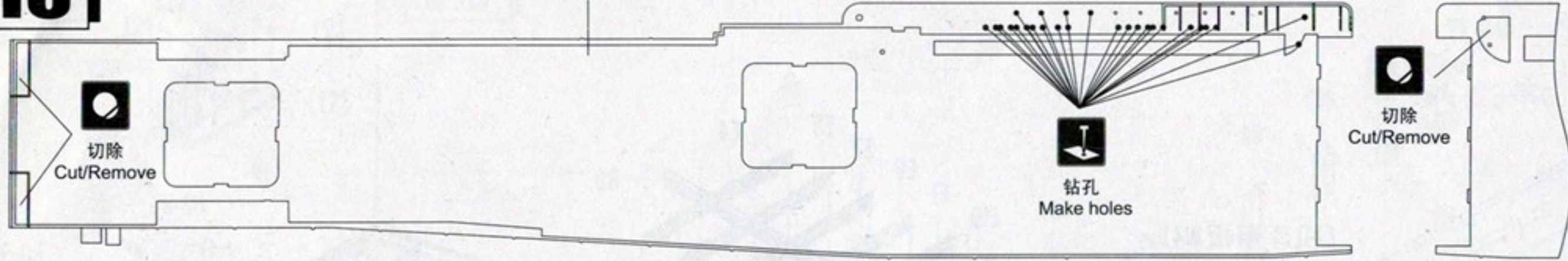
STEP 14



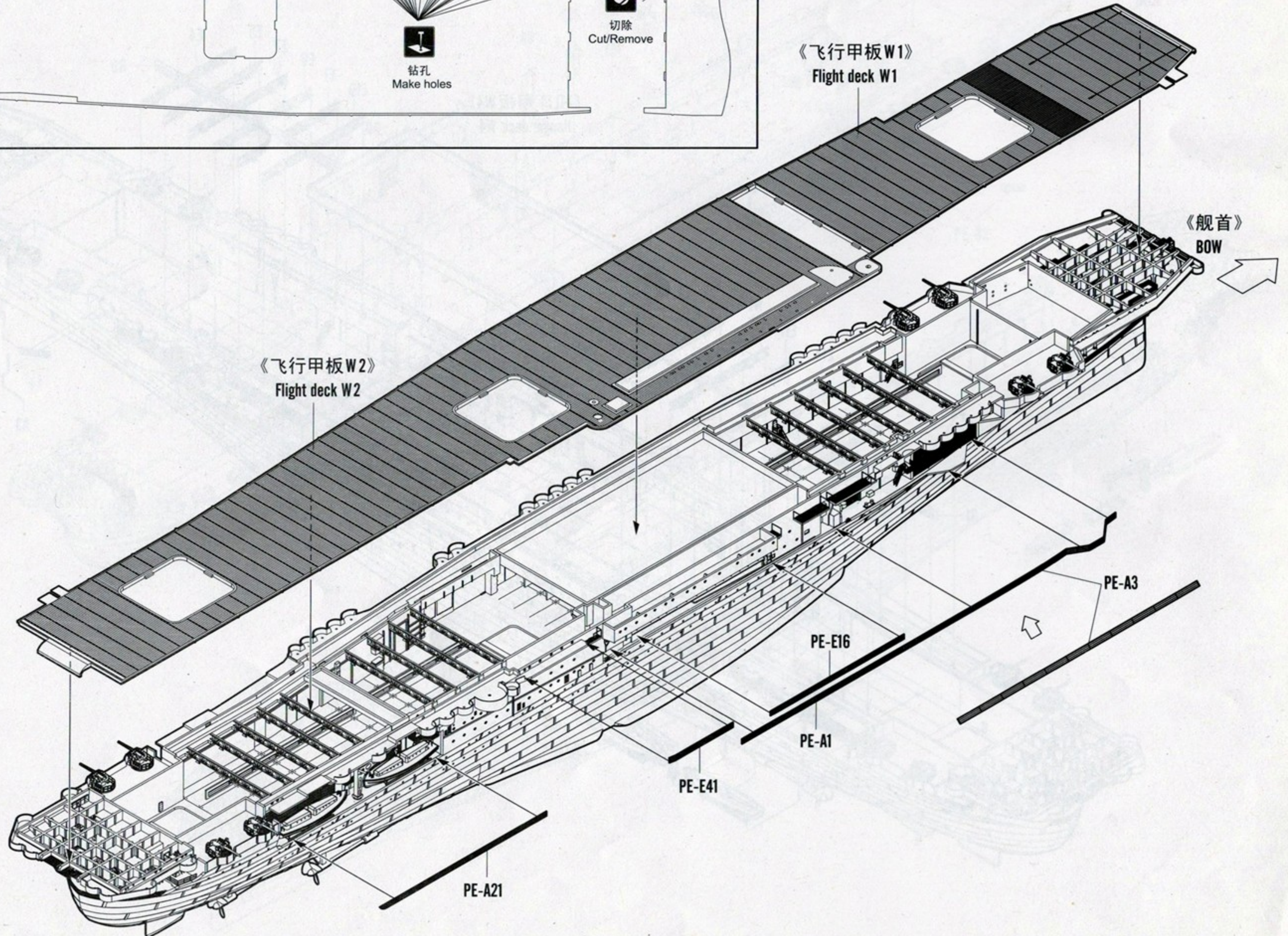


STEP
16

《飞行甲板 W2》
Flight deck W2

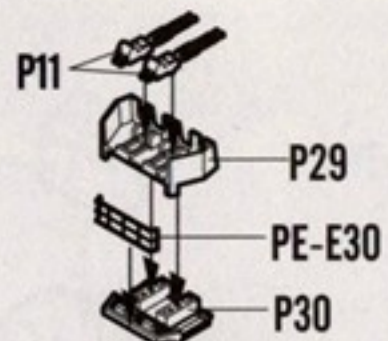


STEP
17

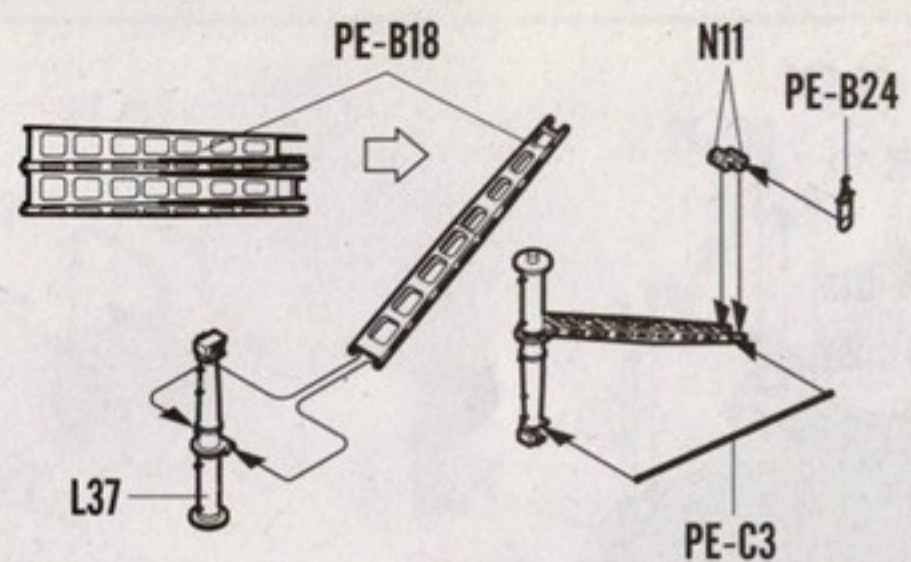
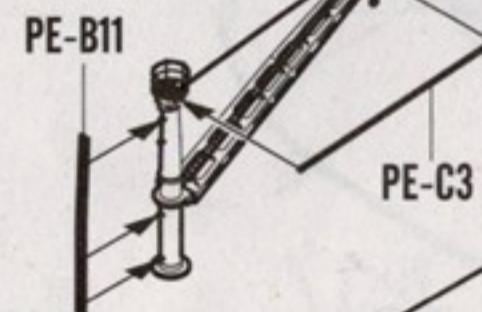
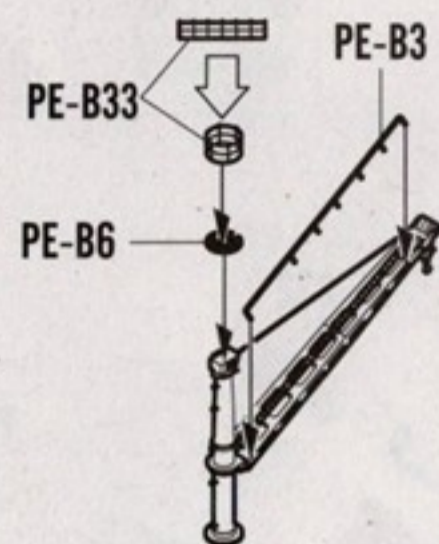


STEP 18

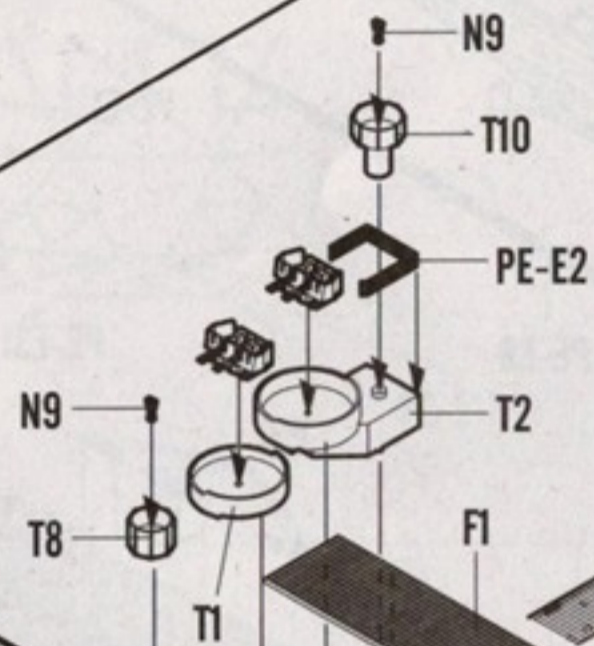
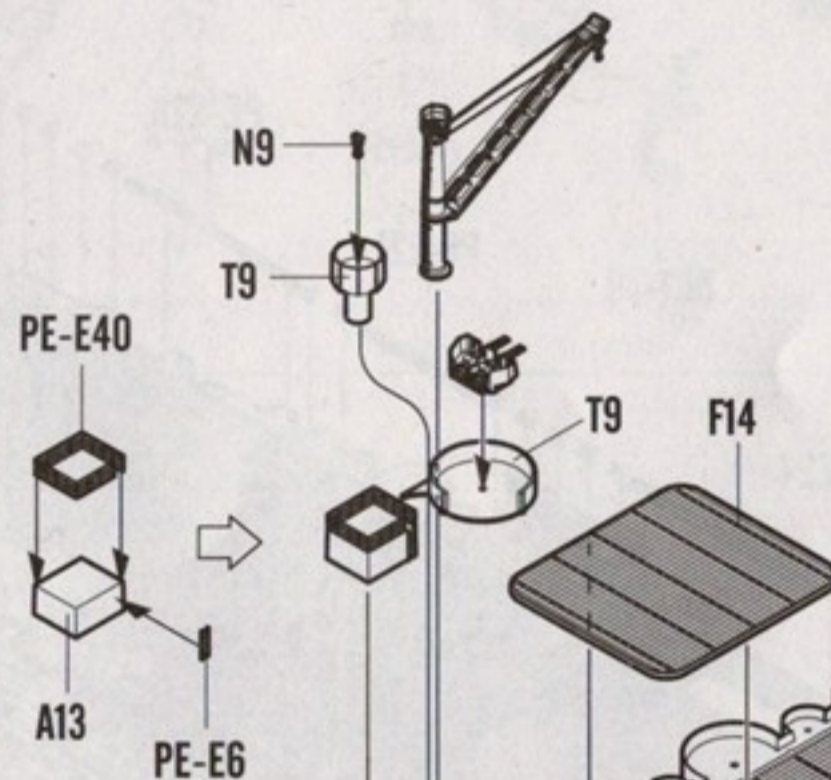
N4
N21
N17
制作2套
Make two



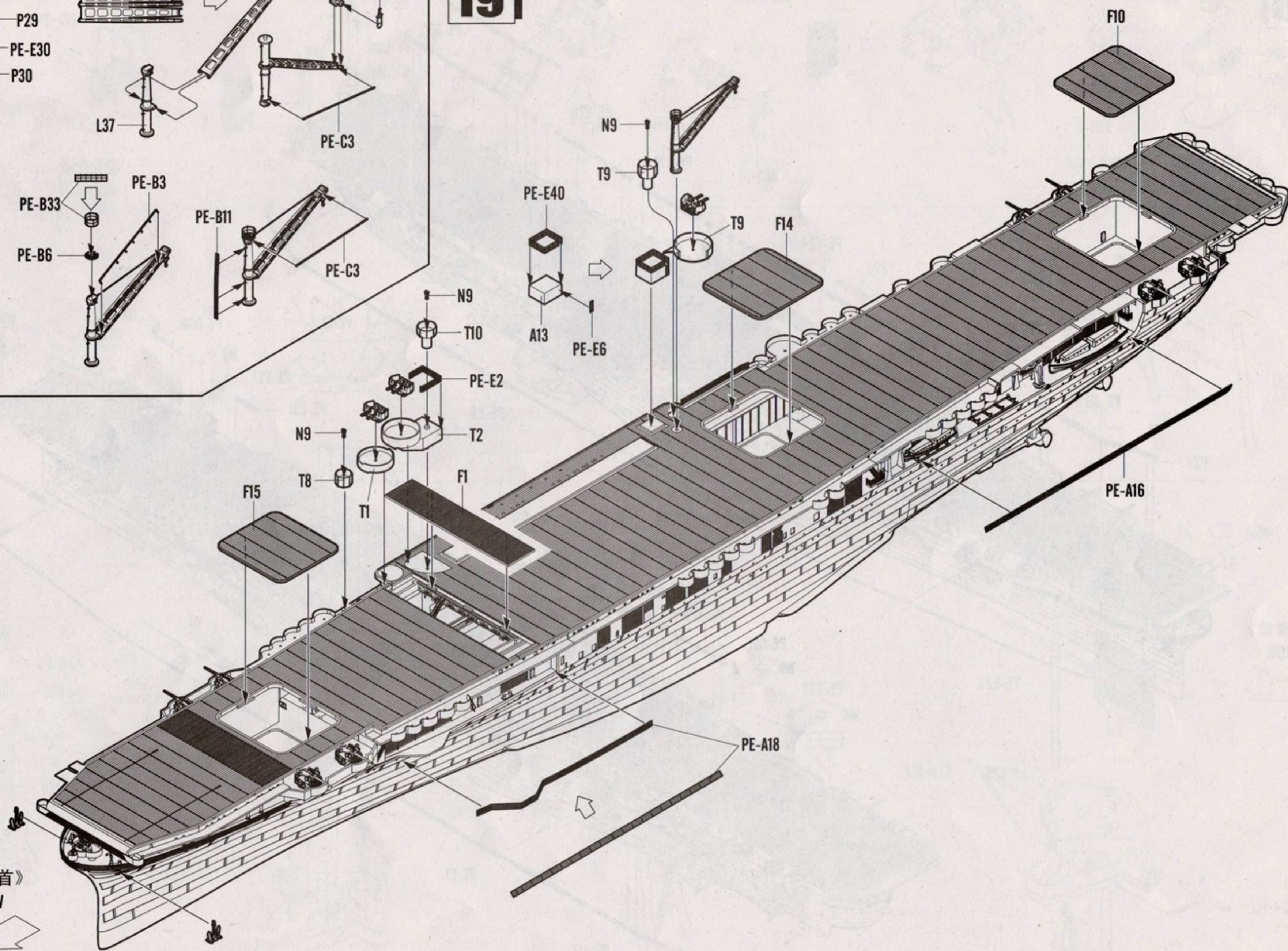
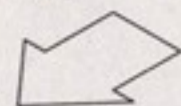
制作4套
Make four

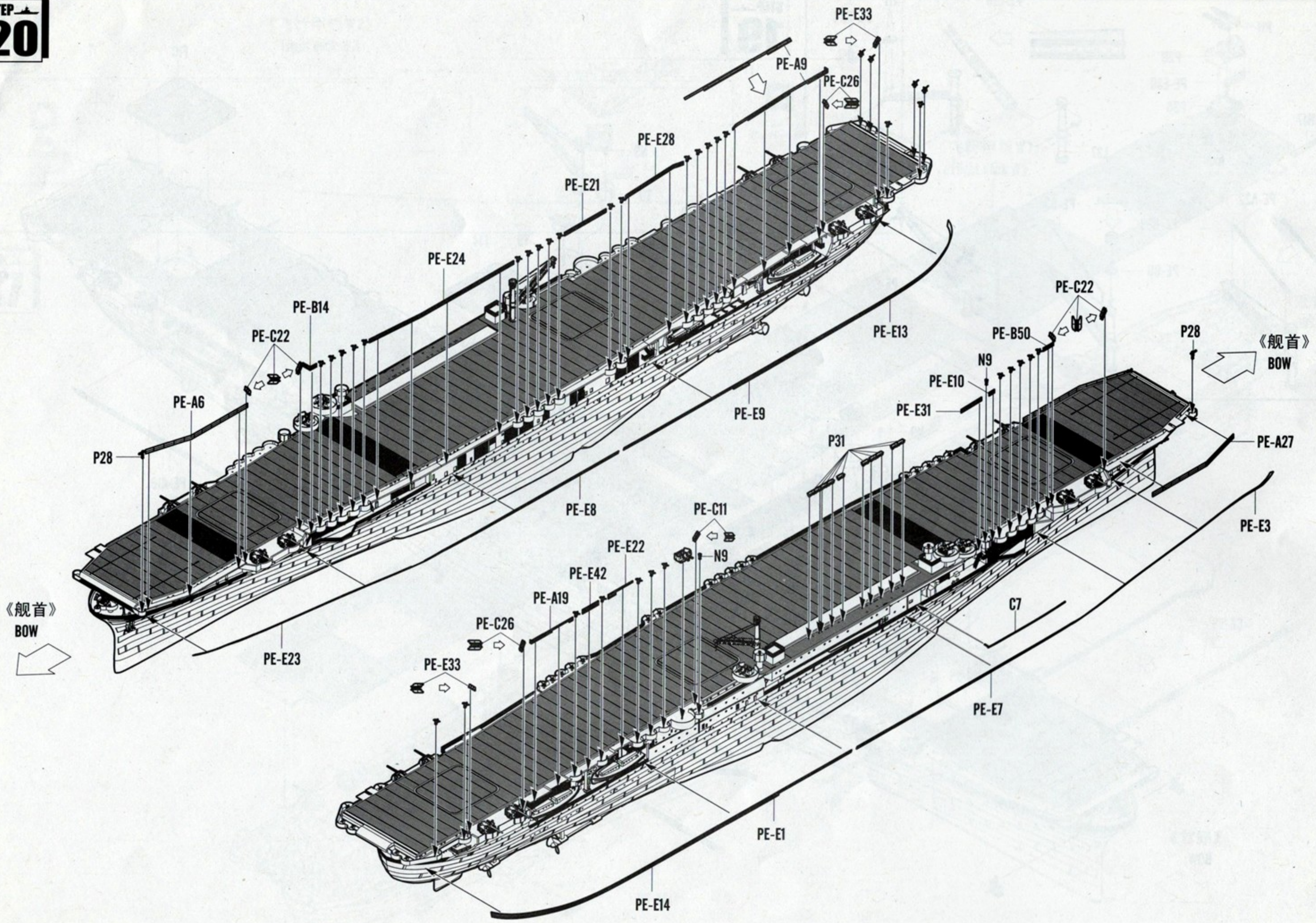


STEP 19

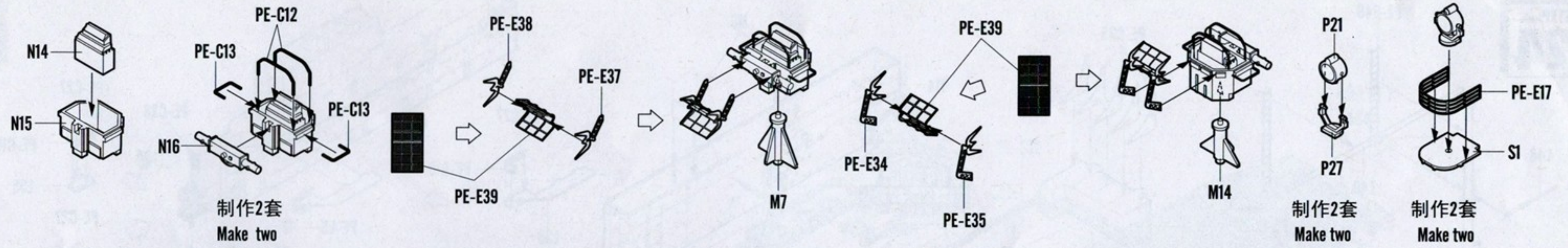


《舰首》
BOW

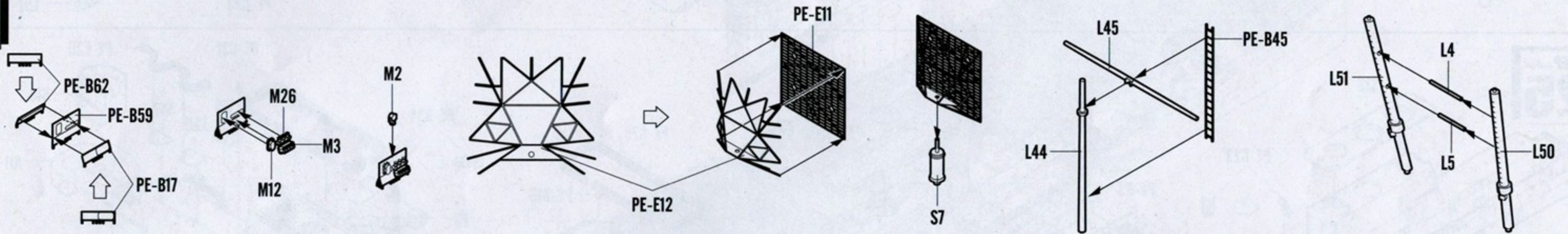




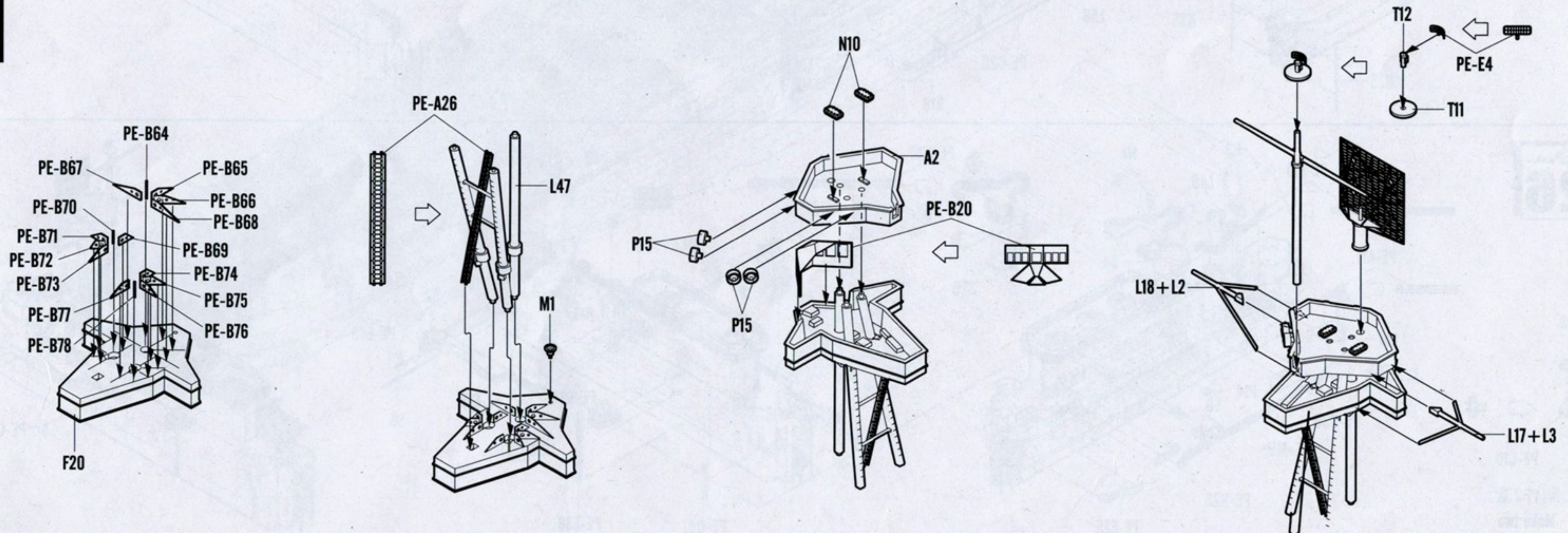
STEP
21



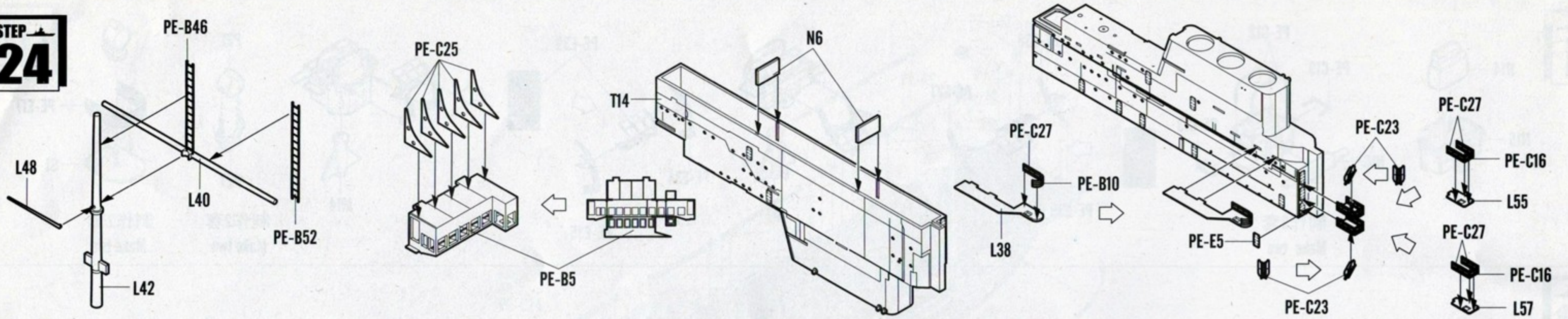
STEP
22



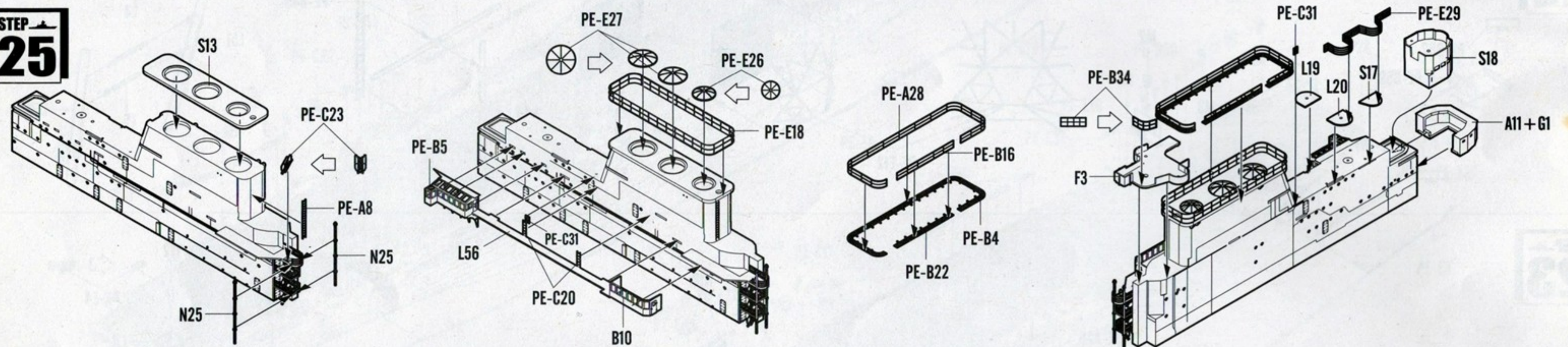
STEP
23



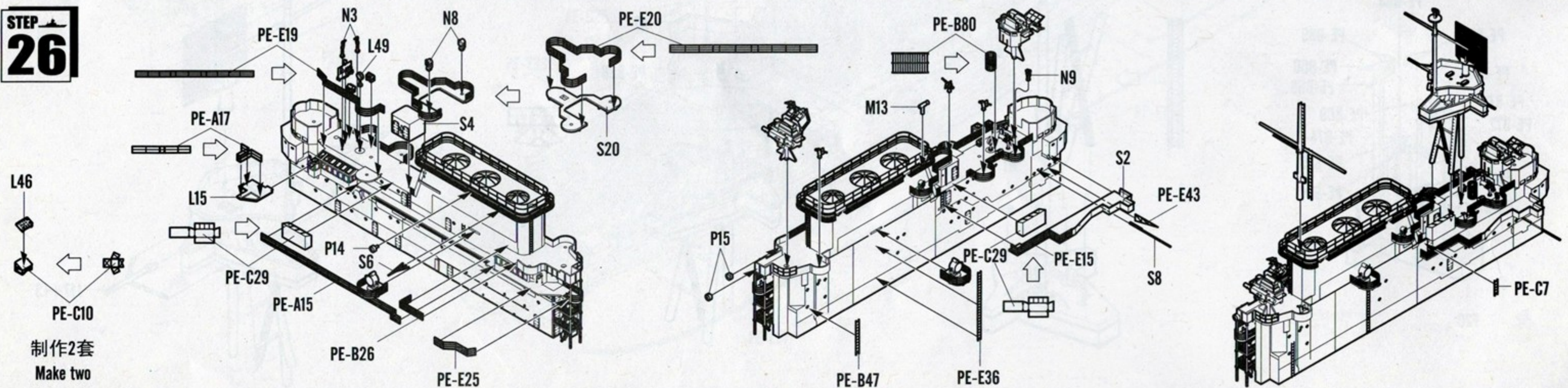
STEP
24



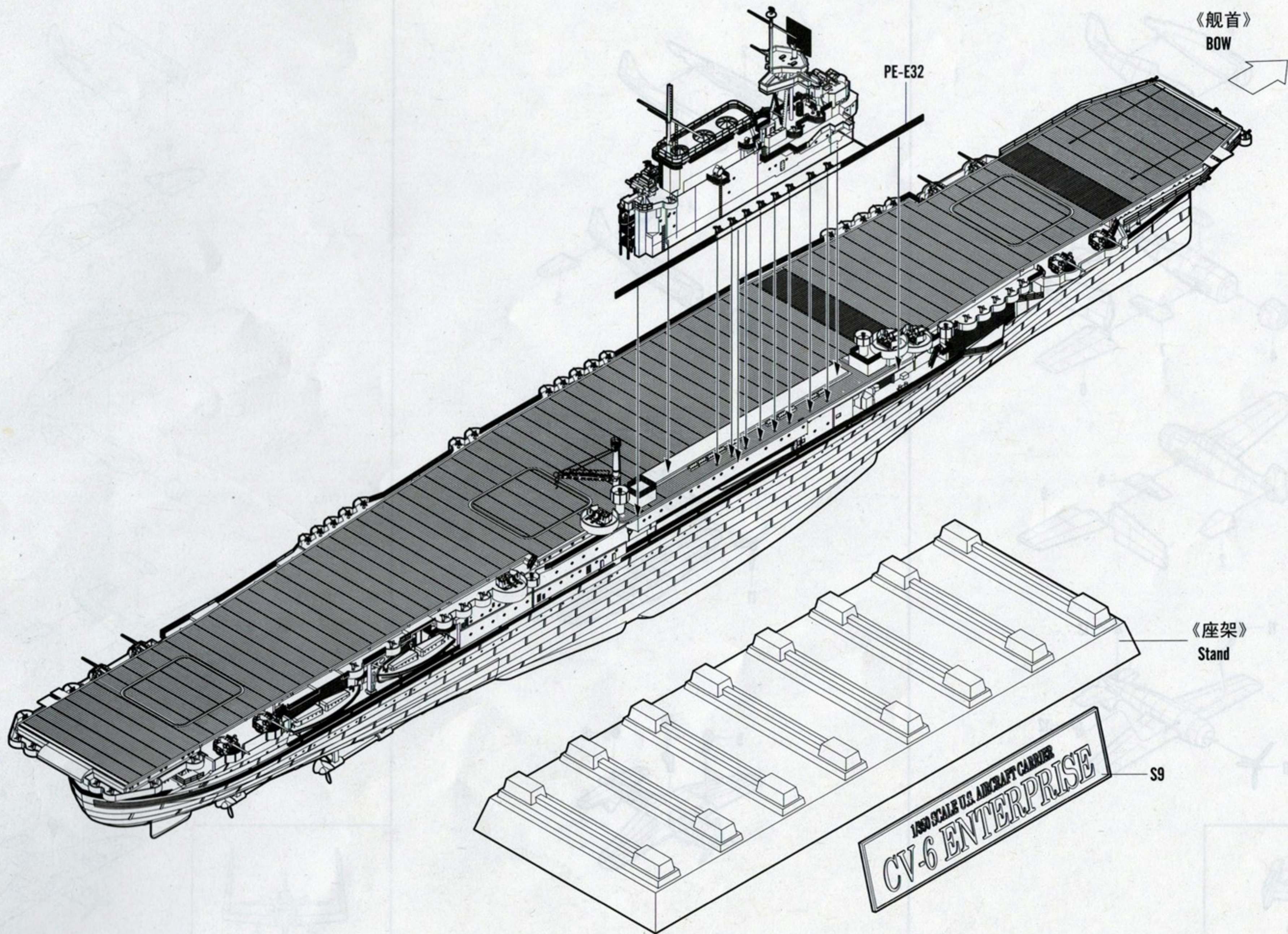
STEP
25



STEP
26



STEP
27



《舰首》
BOW

PE-E32

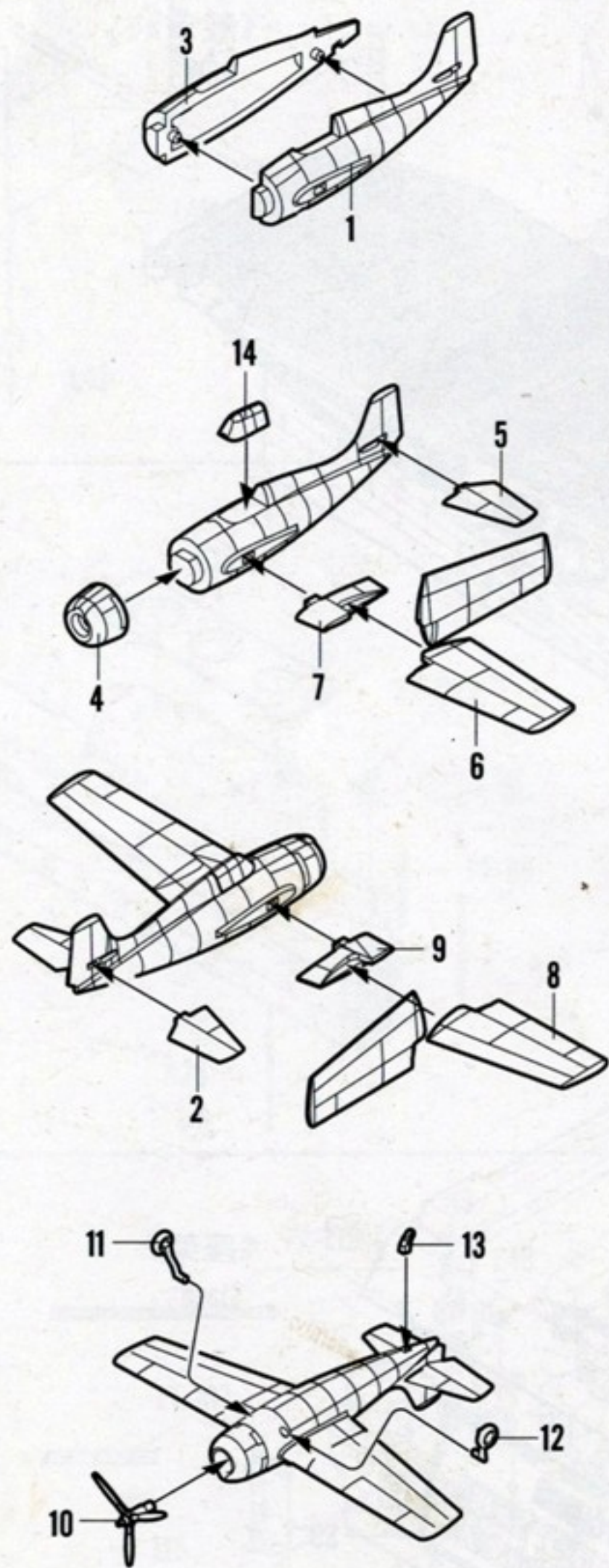
《座架》
Stand

S9

1/350 SCALE U.S. AIRCRAFT CARRIER
CV-6 ENTERPRISE

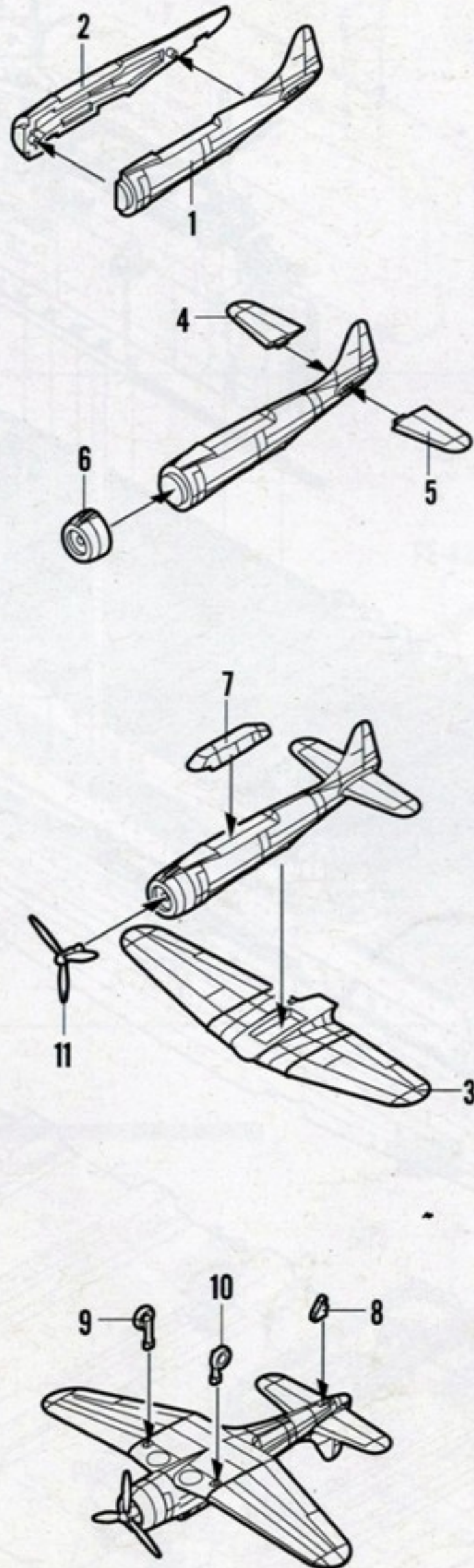
STEP
28

F4F-4飞机组装
Assembly of F4F-4



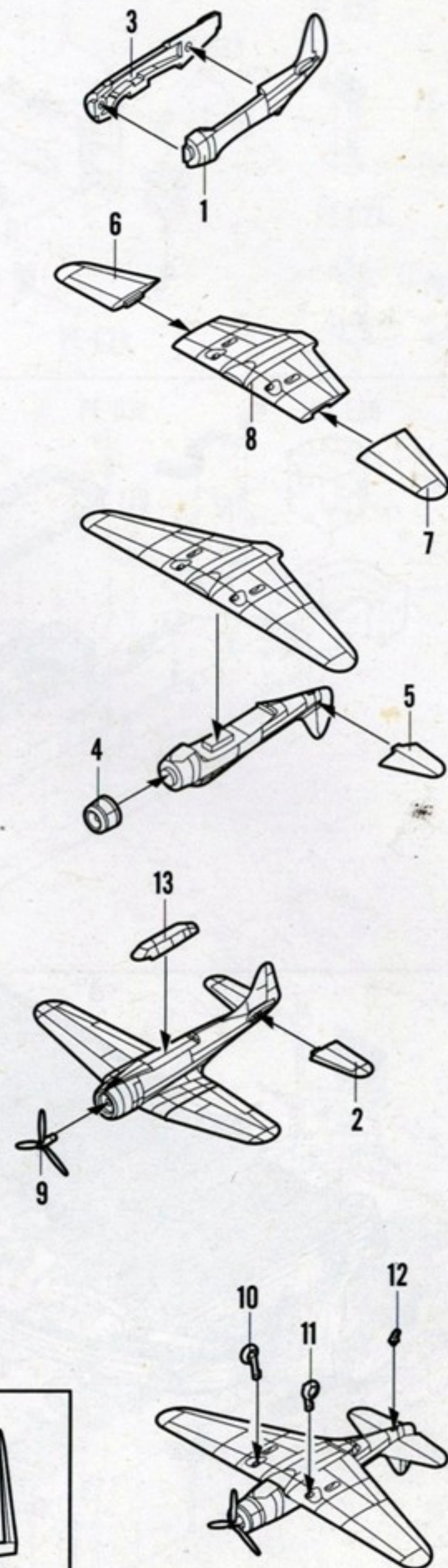
STEP
29

SBD-3飞机组装
Assembly of SBD-3



STEP
30

TBD-1飞机组装
Assembly of TBD-1



涂装同标贴指示

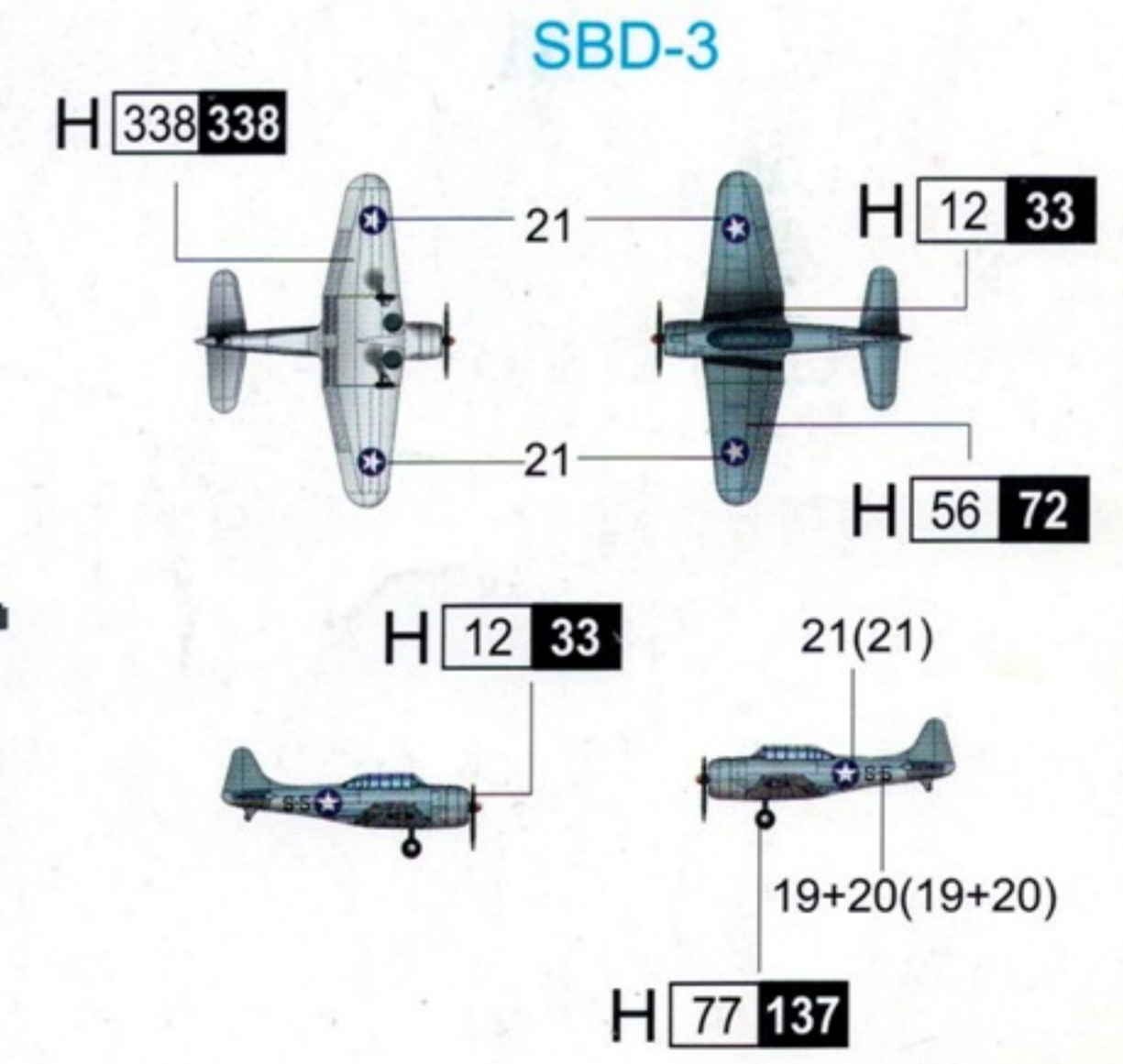
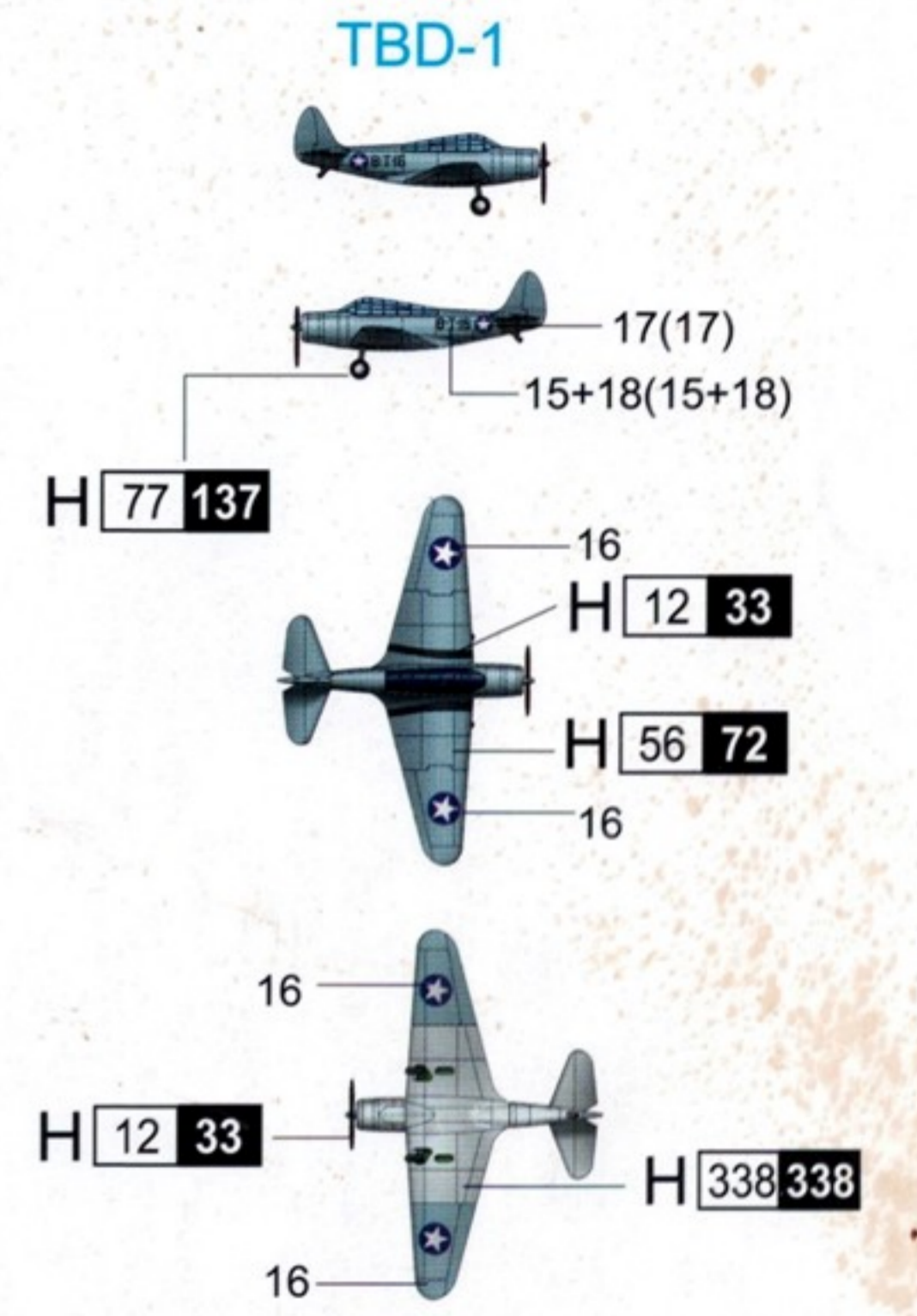
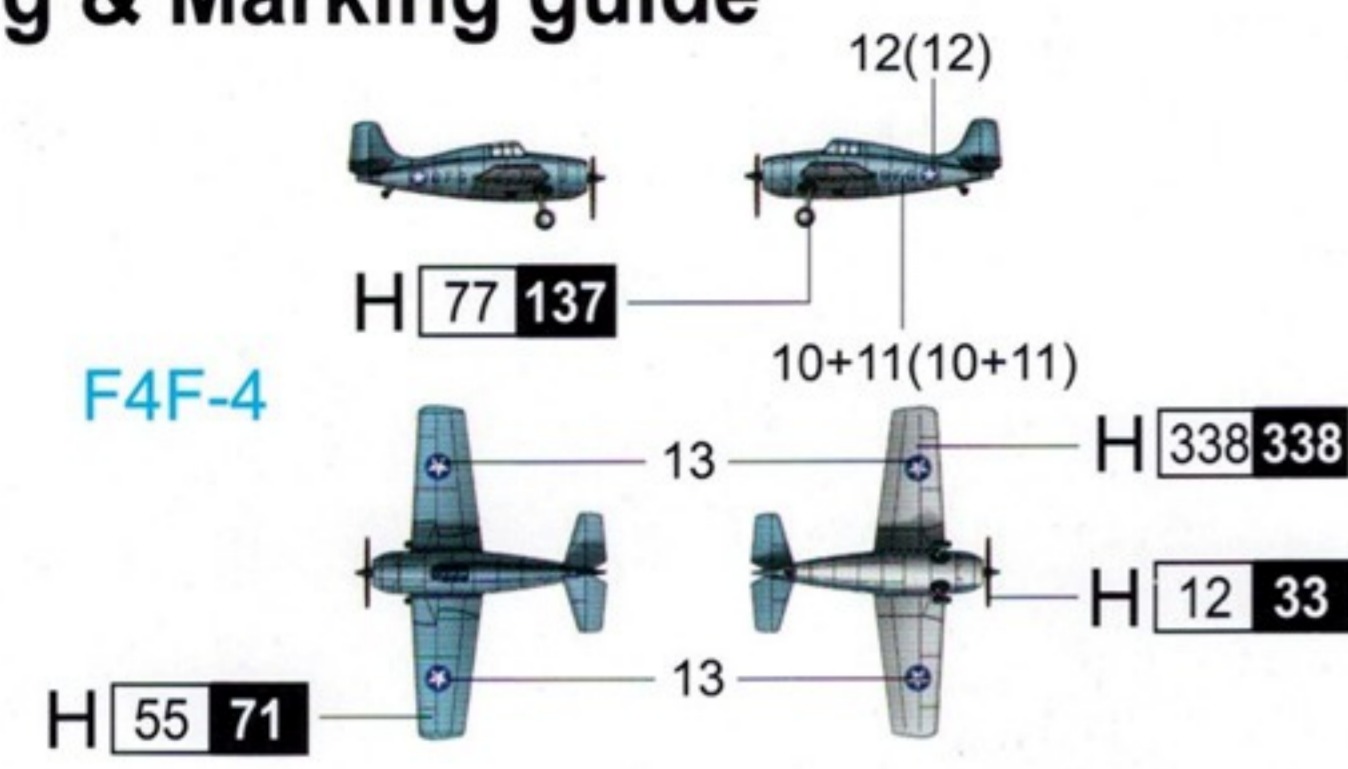
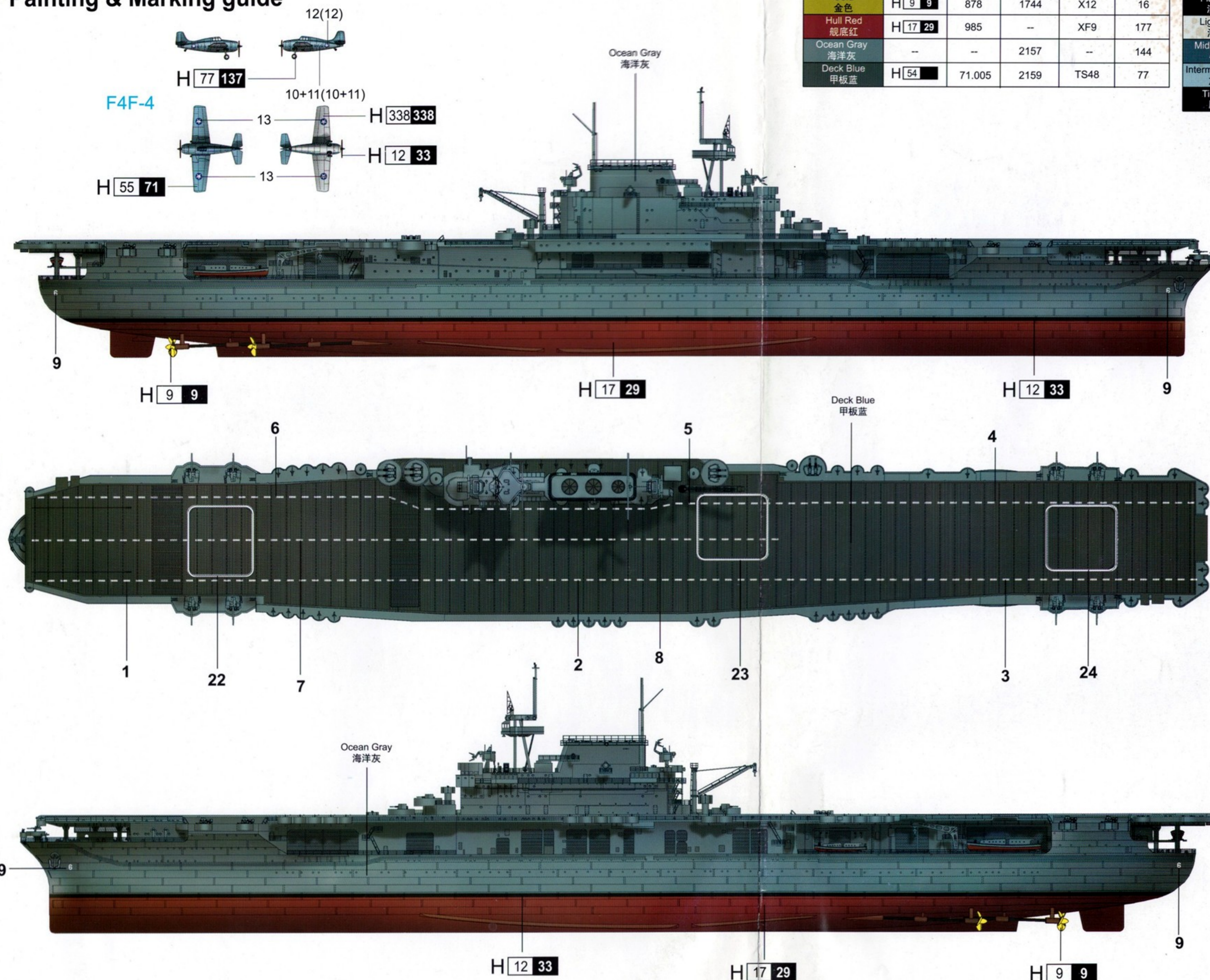
Painting & Marking guide

PAINT REFERENCE COLOUR

Color	Mr.Hobby	Vallejo	Model Master	Tamiya	Humbrol
Gold 金色	H 9 9	878	1744	X12	16
Hull Red 舰底红	H 17 29	985	--	XF9	177
Ocean Gray 海洋灰	--	--	2157	--	144
Deck Blue 甲板蓝	H 54	71.005	2159	TS48	77

PAINT REFERENCE COLOUR

Color	Mr.Hobby	Vallejo	Model Master	Tamiya	Humbrol
Flat Black 消光黑	H 12 33	950	1749	XF1	33
Light Gray 浅灰色	H 338 338	907	1732	XF14	147
Midnight Blue 午夜蓝	H 55 71	807	--	XF17	--
Intermediate Blue 灰蓝色	H 56 72	903	1720	--	144
Tire Black 胎黑色	H 77 137	--	--	--	--



H AQUEOUS HOBBY COLOR ■ Mr. COLOR