
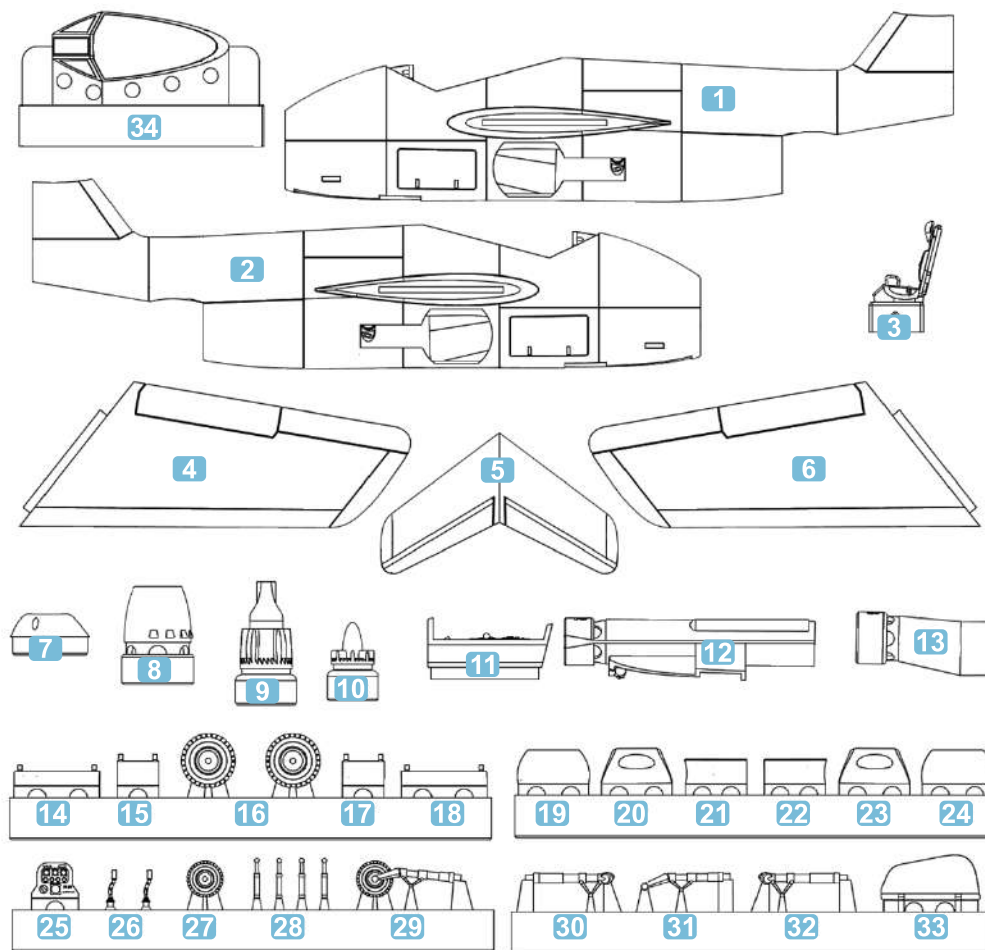
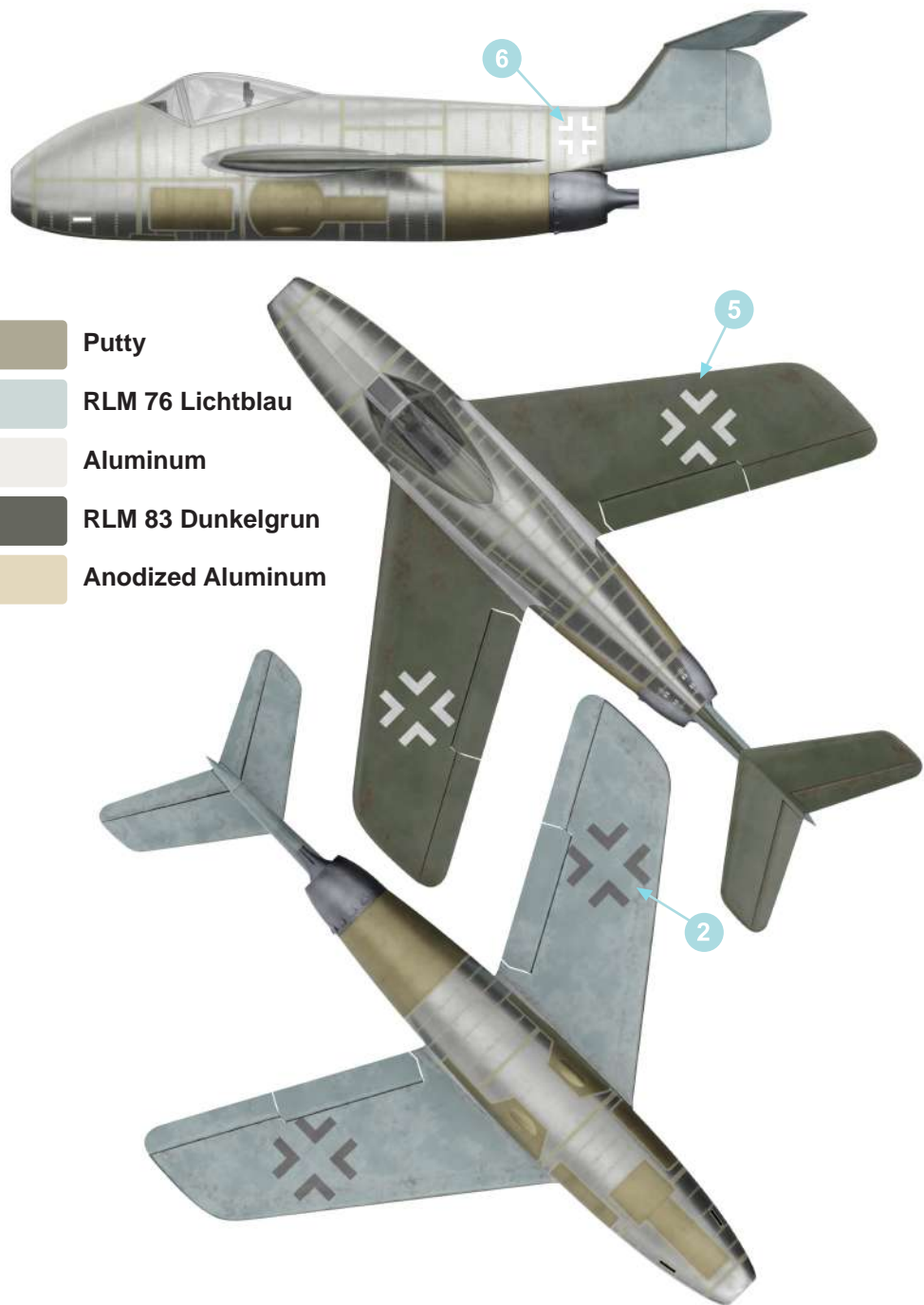


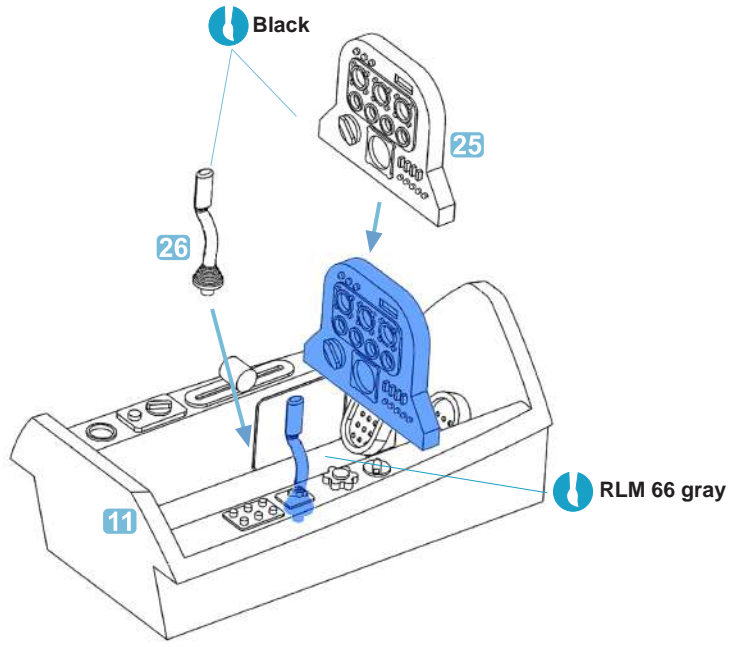
## Focke-Wulf Volkflugzeuge Entwurf II

This aircraft project was proposed to fill the Volksjäger (People's Fighter) concept - a lightweight, easily constructed fighter that used very little strategic materials. The requirement for this small fighter was issued on September 7-8, 1944, to Arado, Blohm & Voss, Fieseler, Focke-Wulf, Junkers, Heinkel, Messerschmitt and Siebel. Of the aircraft companies invited to submit a design, only Messerschmitt declined. Although the BV P.211 was judged the best, the Heinkel He 162 was chosen to begin series production because they had been previously working on a small fighter design, and had already constructed a wooden mockup. Focke-Wulf's design was made ready by September 18, 1944, only ten days after the specifications had been issued.

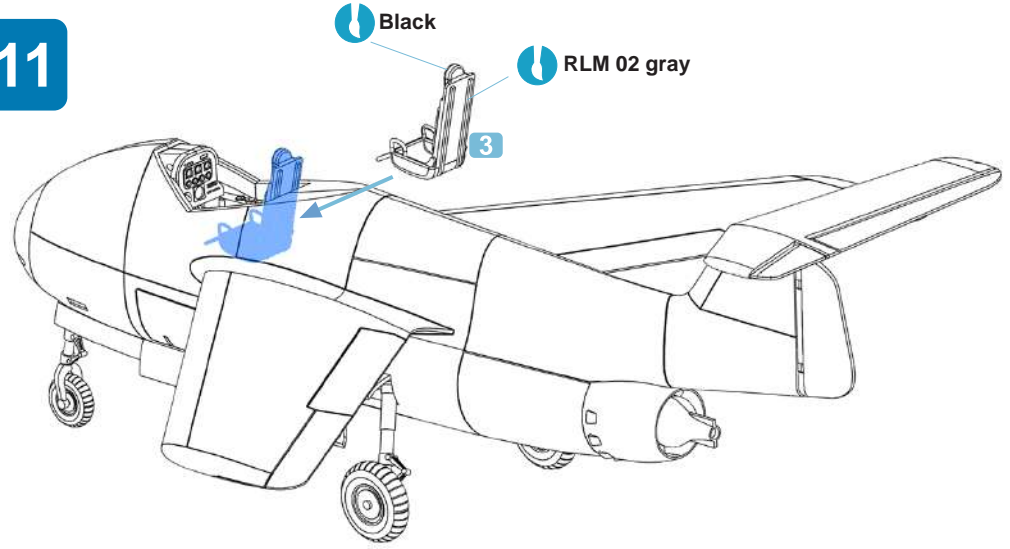
-  Putty
-  RLM 76 Lichtblau
-  Aluminum
-  RLM 83 Dunkelgrun
-  Anodized Aluminum



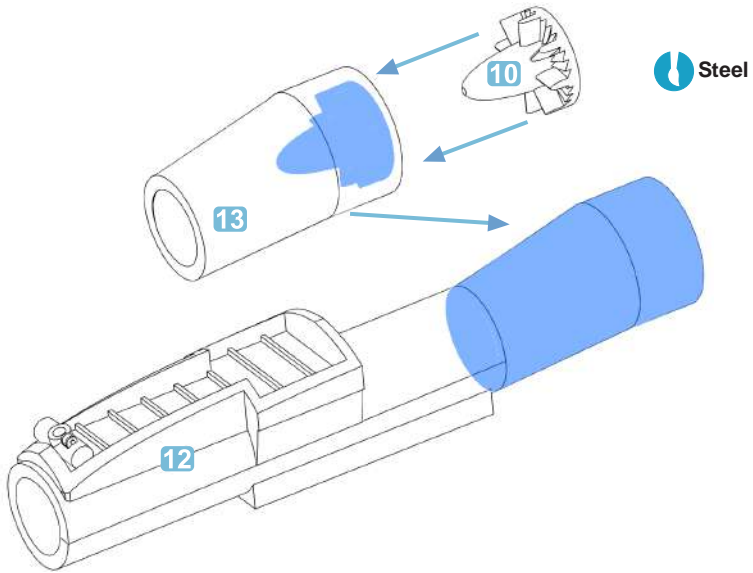
1



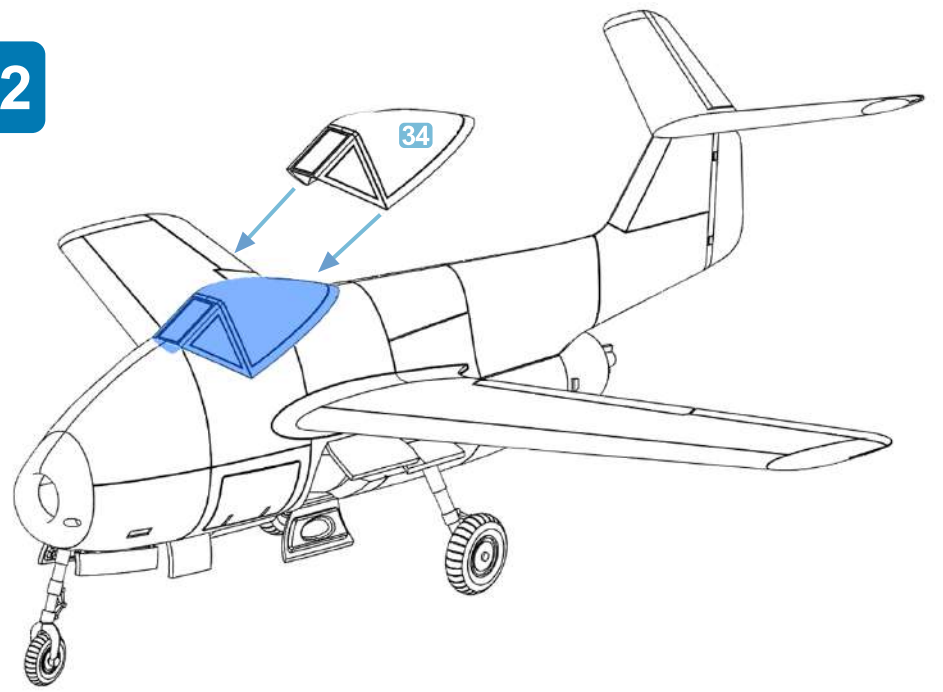
11

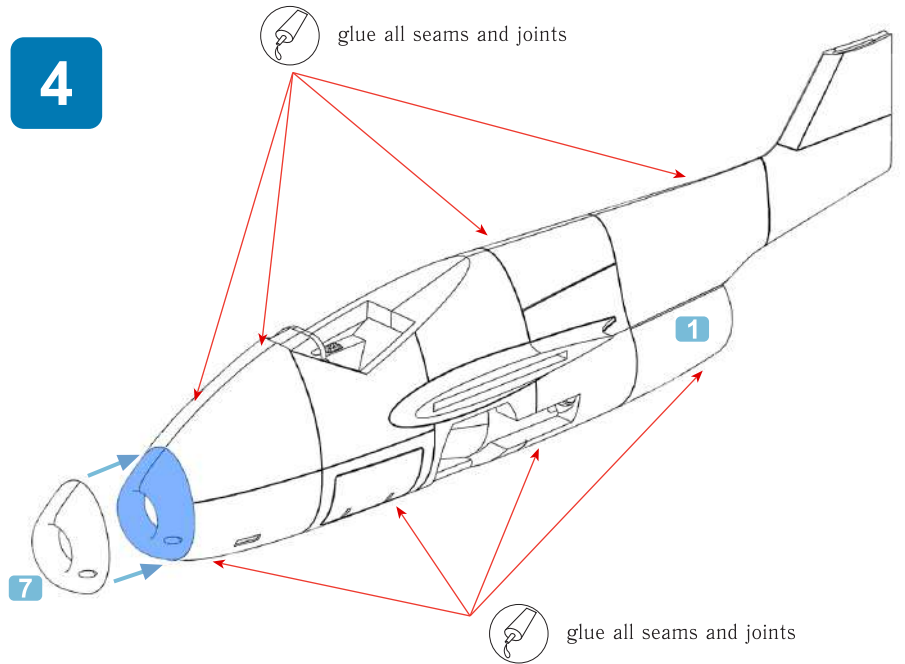
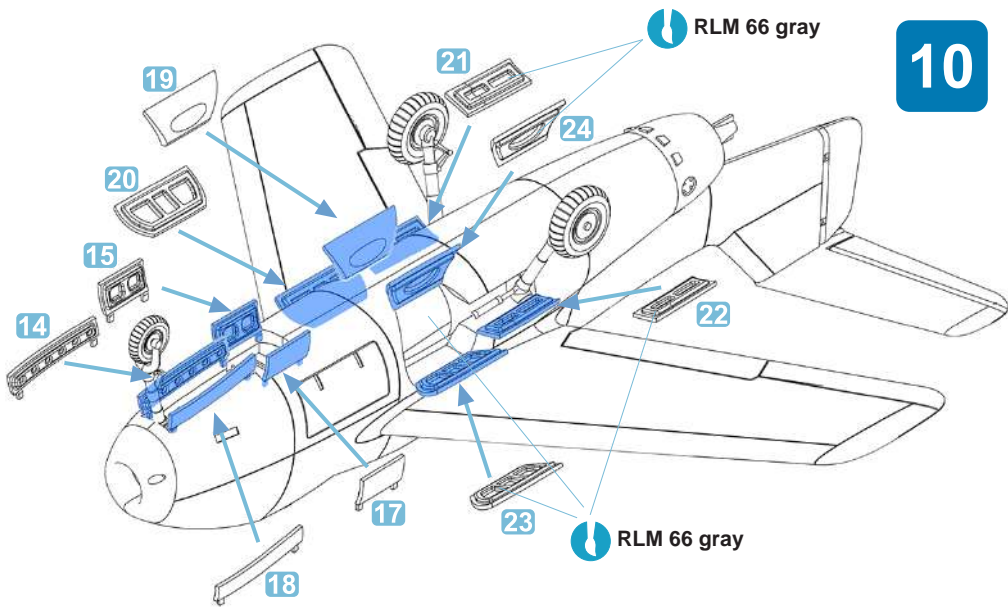
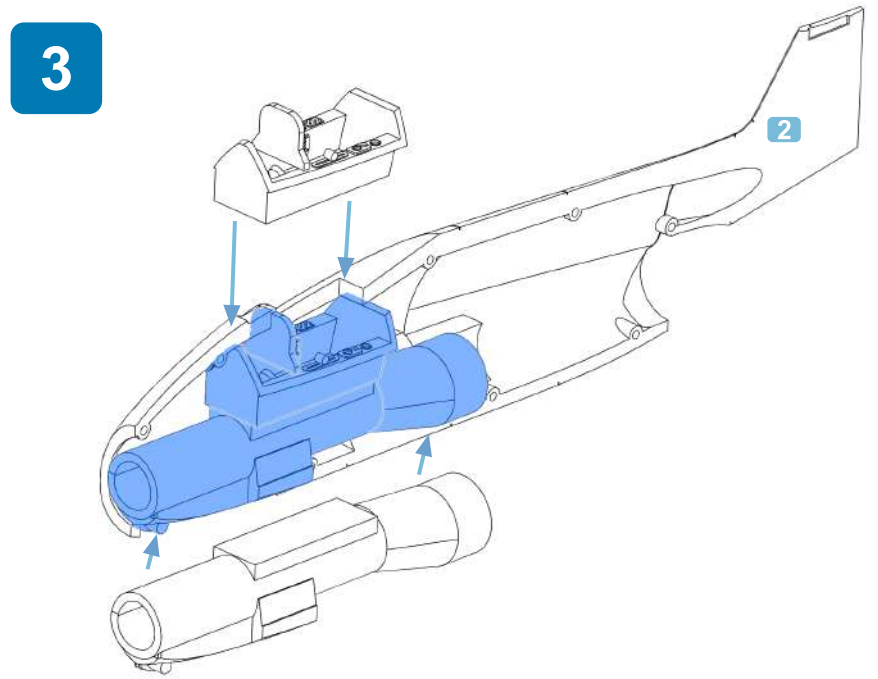
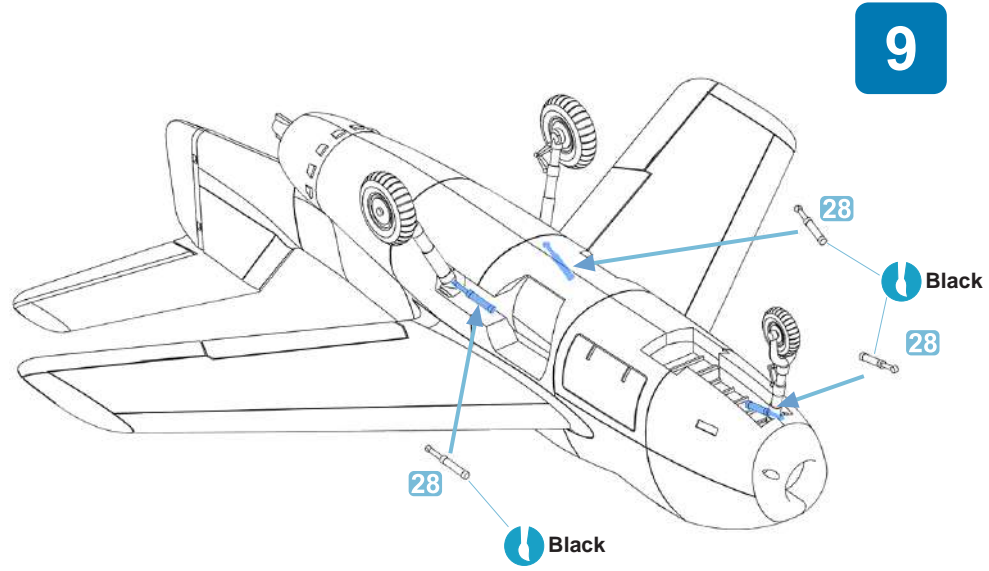


2

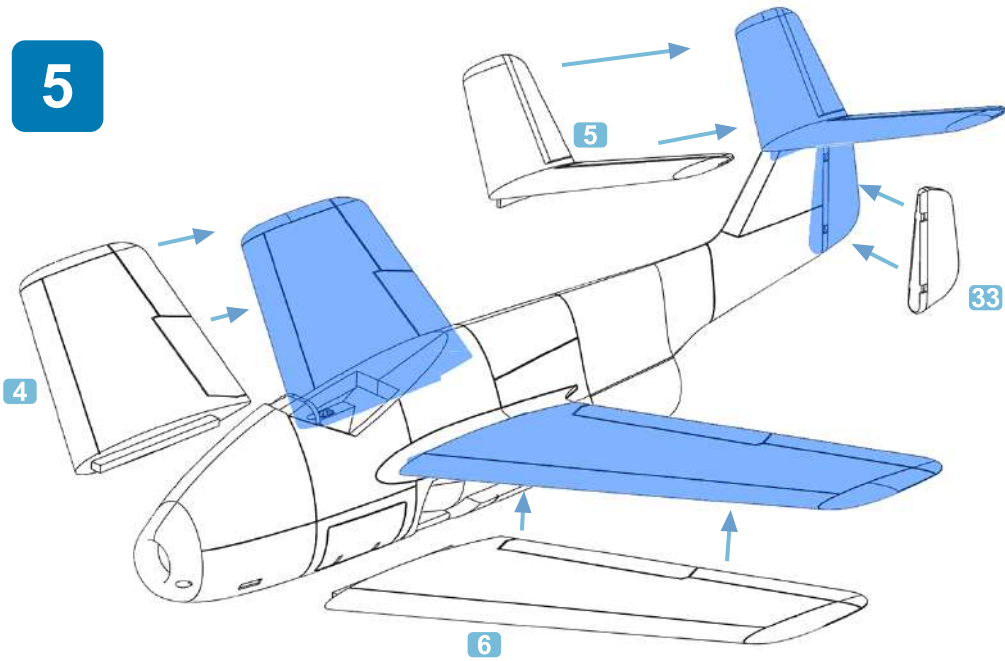


12

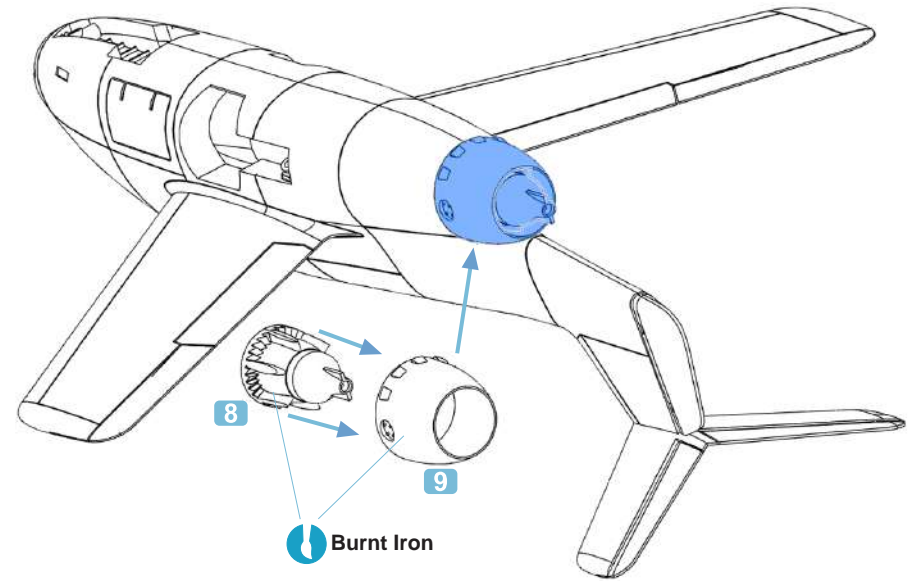




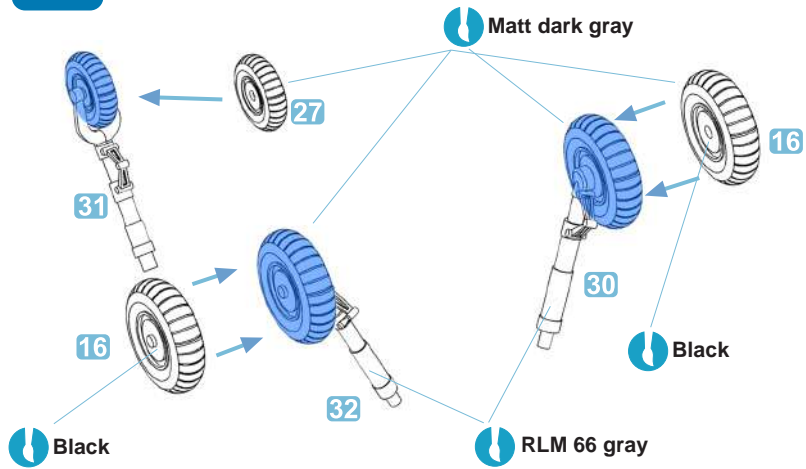
5



6



7



8

