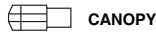


Your MINICRAFT Ki-61 Tony may be assembled with various options, with 'In-flight' features (retracted landing gear and 'spinning' propeller). Parts are also provided for a 'stationary' or 'ground' version with extended landing gear. Please review the assembly steps to become familiar with the parts before beginning assembly.

PARTS LAYOUT DIAGRAM



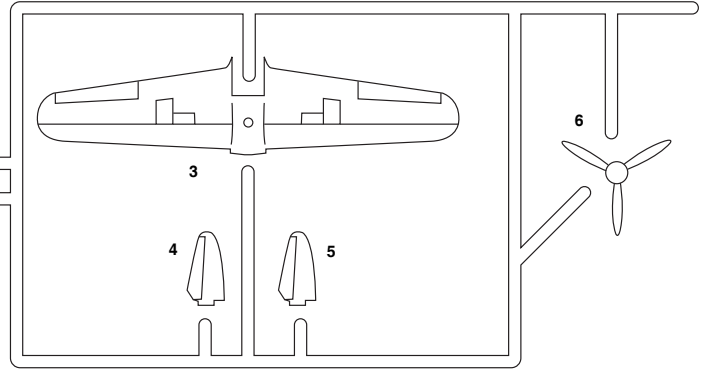
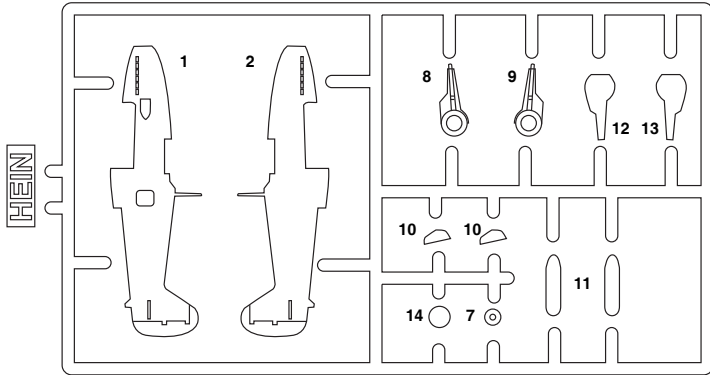
Cement



Do Not Cement



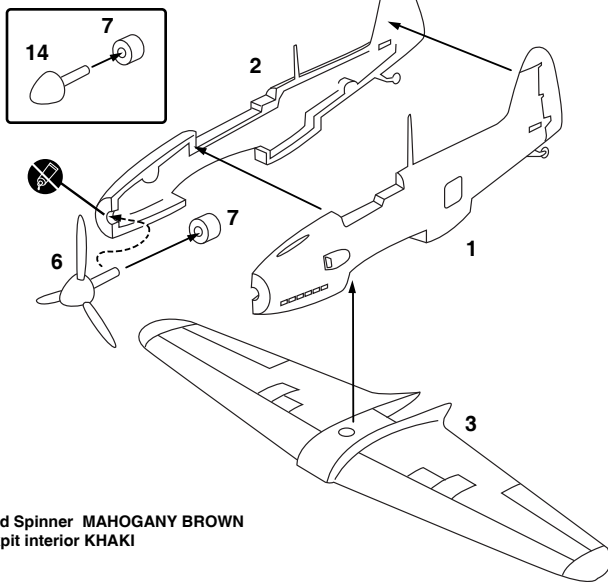
Optional



1

IN-FLIGHT VERSION

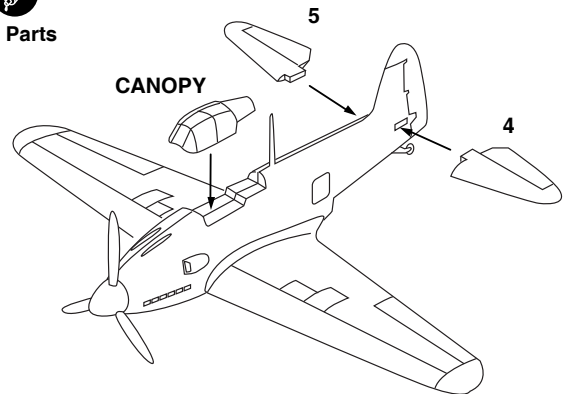
All Parts
except as noted



Propeller blades and Spinner MAHOGANY BROWN
Cockpit interior KHAKI

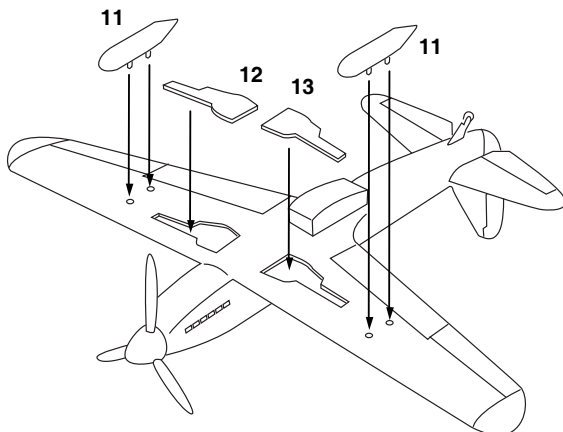
2

All Parts



3 IN-FLIGHT VERSION

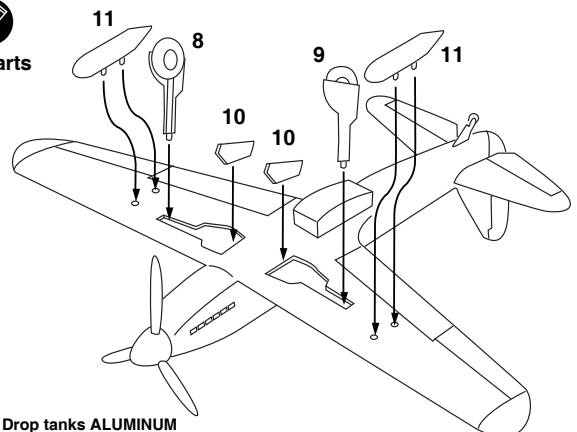
All Parts



Drop tanks ALUMINUM

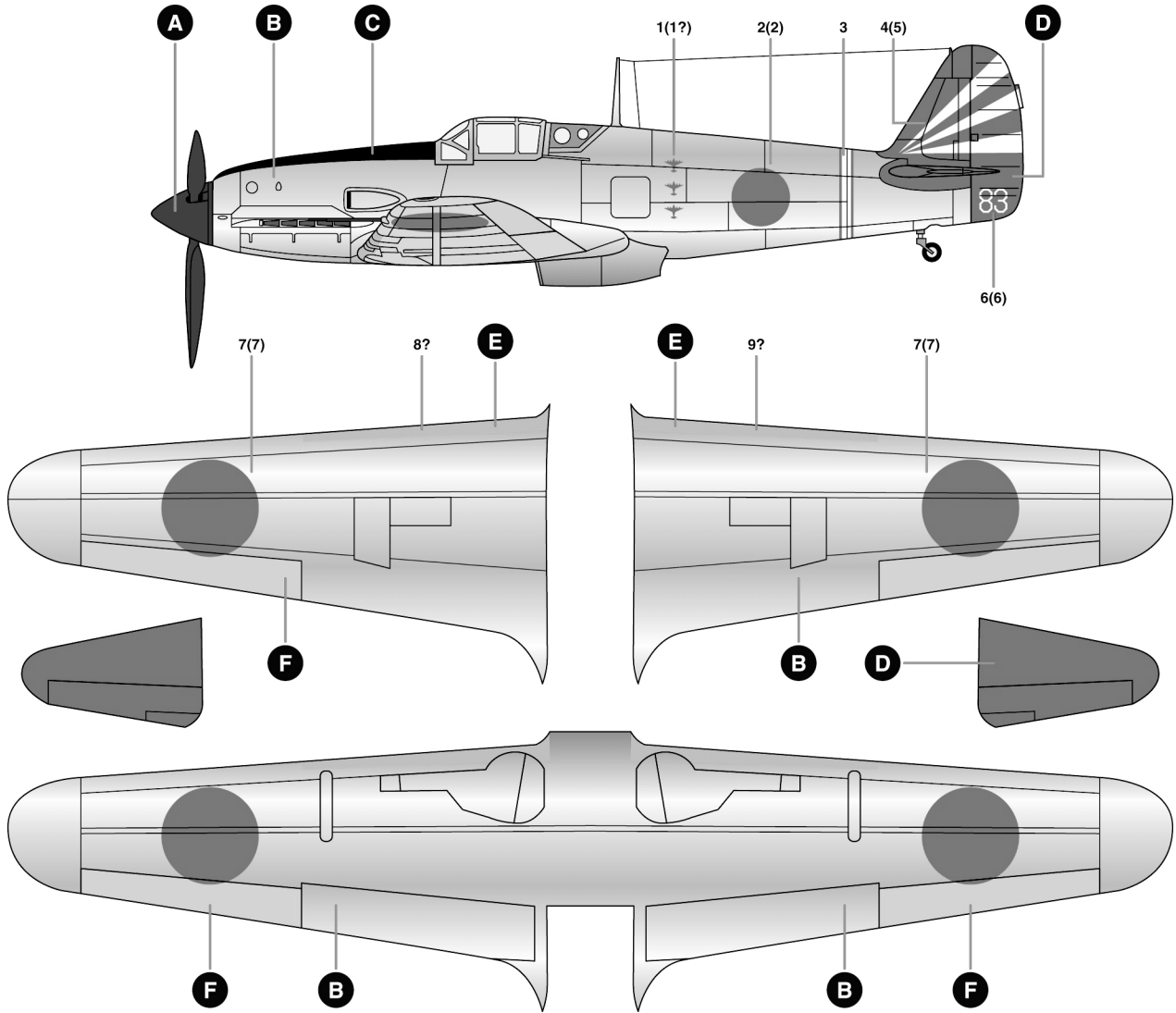
4 STATIONARY VERSION

All Parts



Drop tanks ALUMINUM
Struts ALUMINUM
Tires FLAT BLACK-GRAY
Wheel well interiors METALLIC BLUE-GREEN

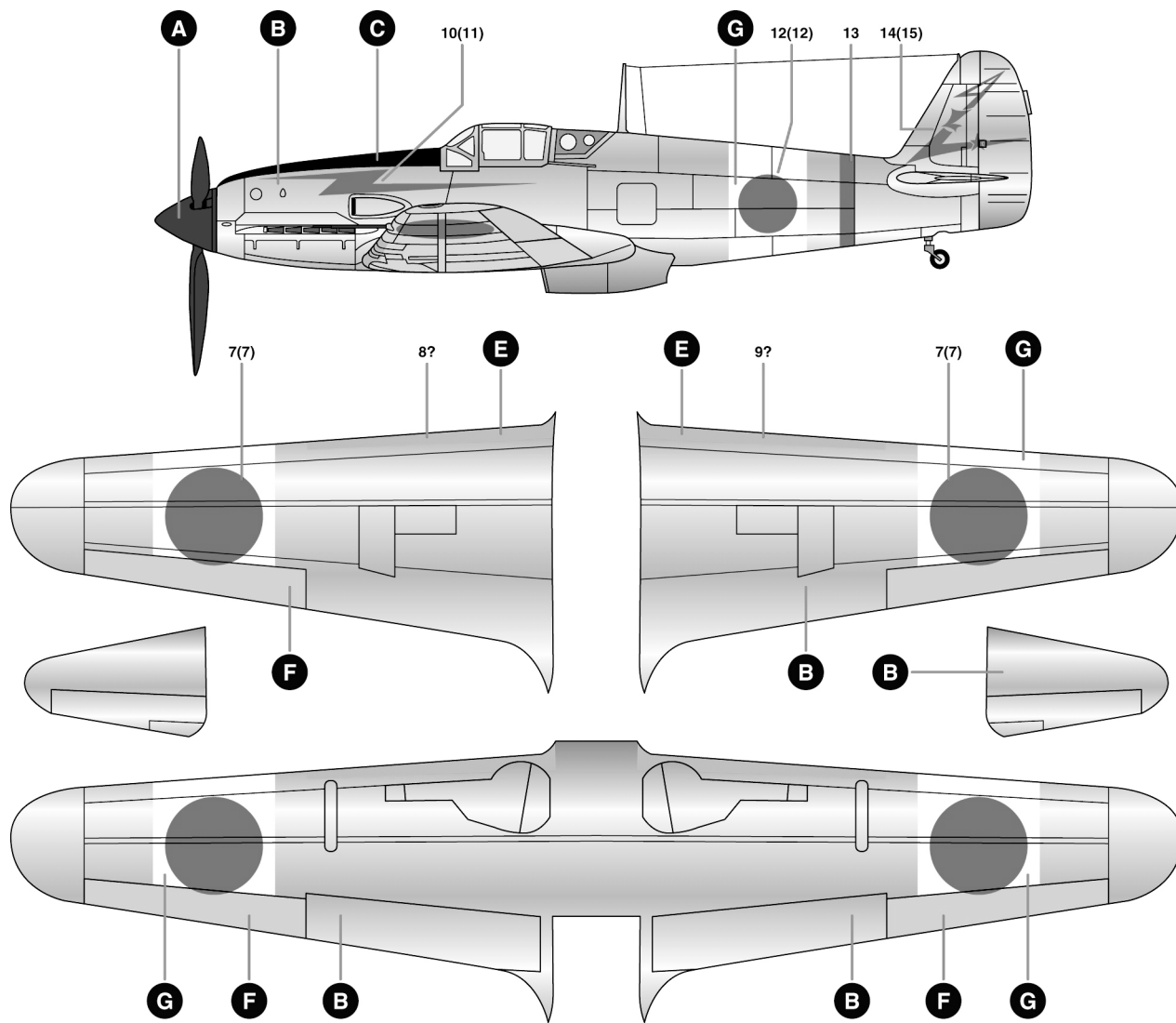
Ki-61 Hein ("Tony"), 18th Sentai, Japan, 1945



PAINTS

- A Red-Brown (ModelMaster 1701, Acryl 4707)
- B Aluminum (ModelMaster 1781, Acryl 4677)
- C Black (ModelMaster 1749, Acryl 4768)
- D Red (ModelMaster 2073, Acryl 4772)
- E Yellow (ModelMaster 2118, Acryl 4721)
- F Japanese Army Light Gray (ModelMaster 2115, Acryl 4766)
- G White (ModelMaster 1745, Acryl 4696)

Ki-61 Hein ("Tony"), 244th Sentai, Japan, 1945



Your Minicraft model includes high-quality waterside decals. These decals adhere best to a glossy surface; and it is recommended that you apply a clear gloss coat over your painted model.

Use a sharp scissors or knife to cut individual decals from the carrier sheet. Do not cut into the clear film surrounding the individual decals.

* It is recommended that you apply one decal at a time.

* Place the decal section in warm water, when first inserted in the water your decal will curl, after approximately ten seconds the decal will uncurl. Remove from water and lay on a paper towel. After approximately 10 - 20 seconds the decal will slide freely from the backing paper. Use a small brush to help slide the decal from the backing paper and into position on the model. Carefully blot excess water from the decal, using care not to move the decal or tear it.

* If you choose to use a setting solution, apply a thin coat over the decal following the manufacturer's instruction.

* Allow the decal to dry overnight. Wash any adhesive residue off the model with a small amount of clean water and dry thoroughly.

* Apply clear gloss, matte or flat coat to seal decals following the instructions from the manufacturer.



Visit our Website-
www.minicraftmodels.com

Minicraft Models (US) LLC
1501 Commerce Drive
Elgin, IL 60123
Phone: 847-429-9676