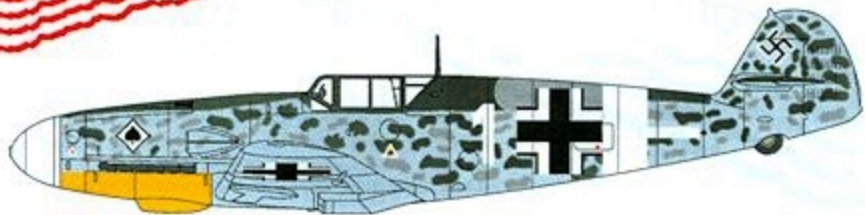
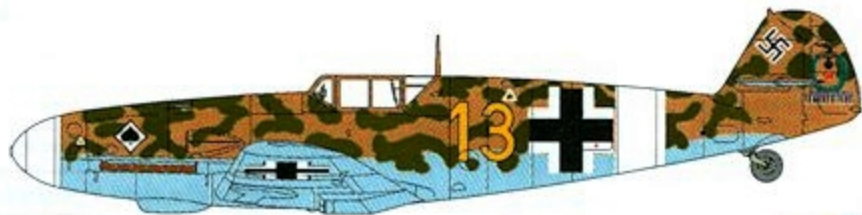


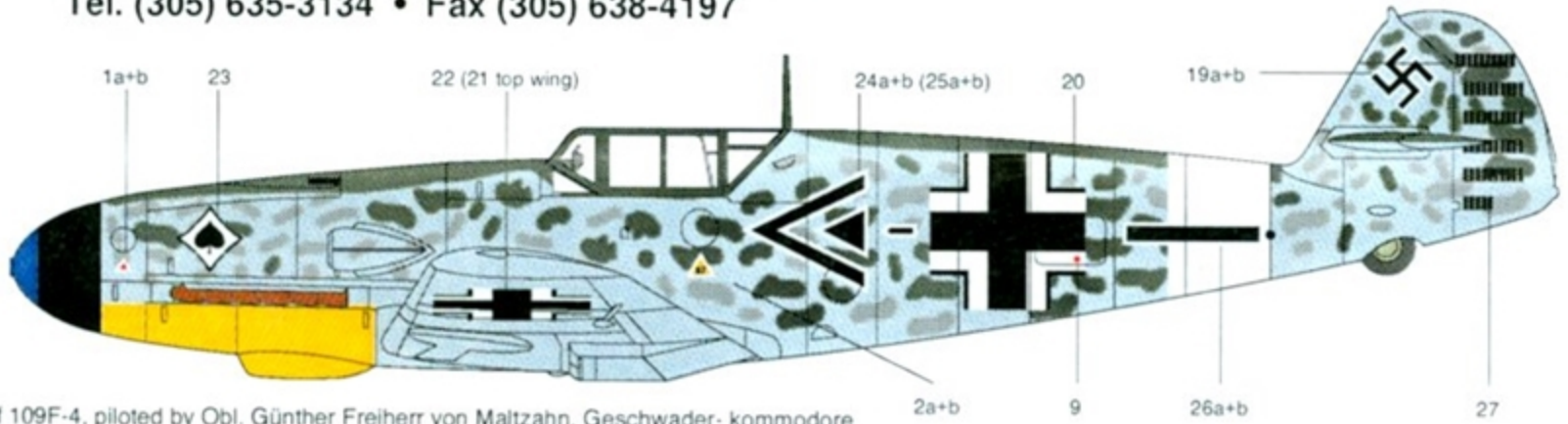
*AeroMaster*



## Mediterranean Bf 109s of JG 53

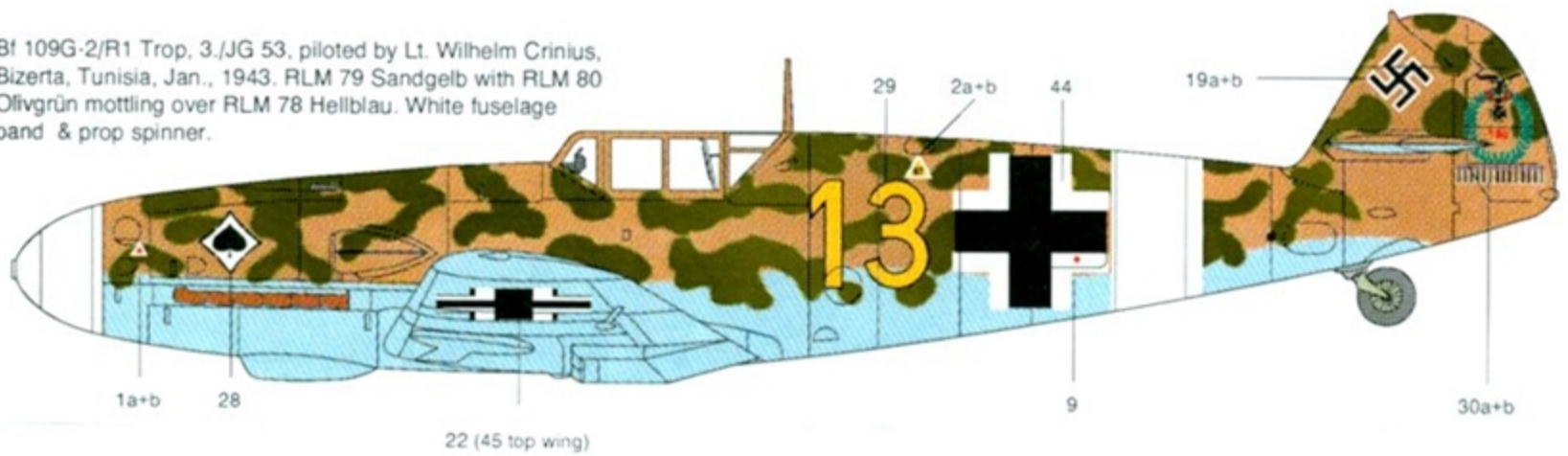


3615 NW 20th Ave • Miami, Florida 33142 • USA  
Tel. (305) 635-3134 • Fax (305) 638-4197

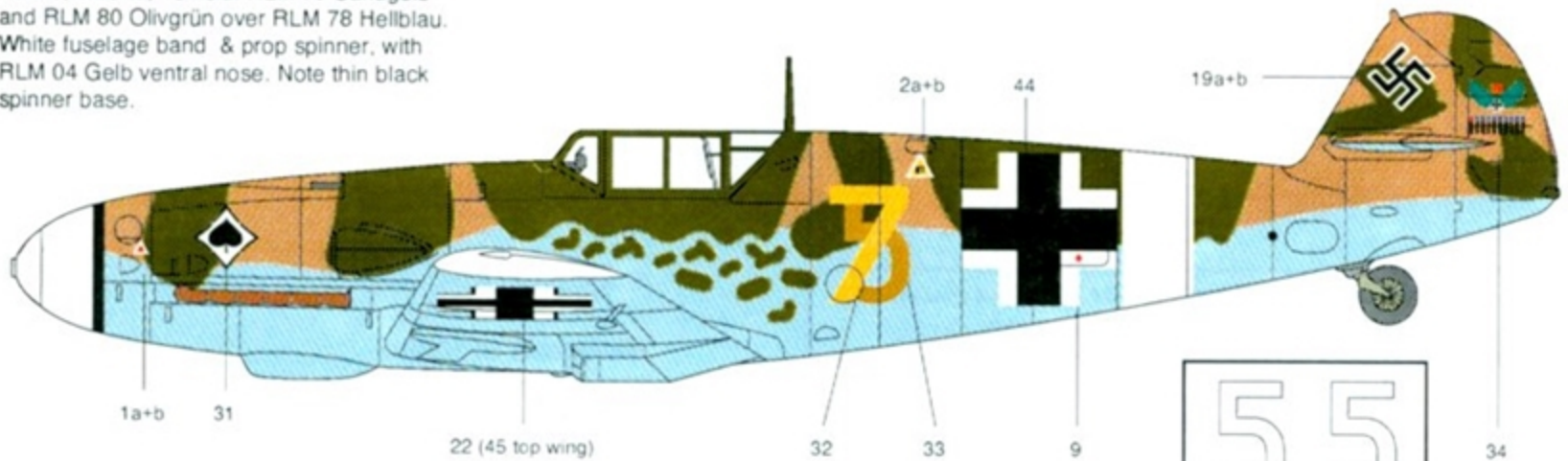


Bf 109F-4, piloted by Obl. Günther Freiherr von Maltzahn, Geschwader-kommandore JG 53, Sicily, ca. May, 1942. RLM 74 Graugrün & RLM 75 Grauviolett over RLM 76 Lichtblau – with RLM 04 yellow ventral nose, white fuselage band and black/RLM 24 blue prop spinner. Mottling is RLM 74/75.

Bf 109G-2/R1 Trop, 3./JG 53, piloted by Lt. Wilhelm Crinius, Bizerta, Tunisia, Jan., 1943. RLM 79 Sandgelb with RLM 80 Olivgrün mottling over RLM 78 Hellblau. White fuselage band & prop spinner.

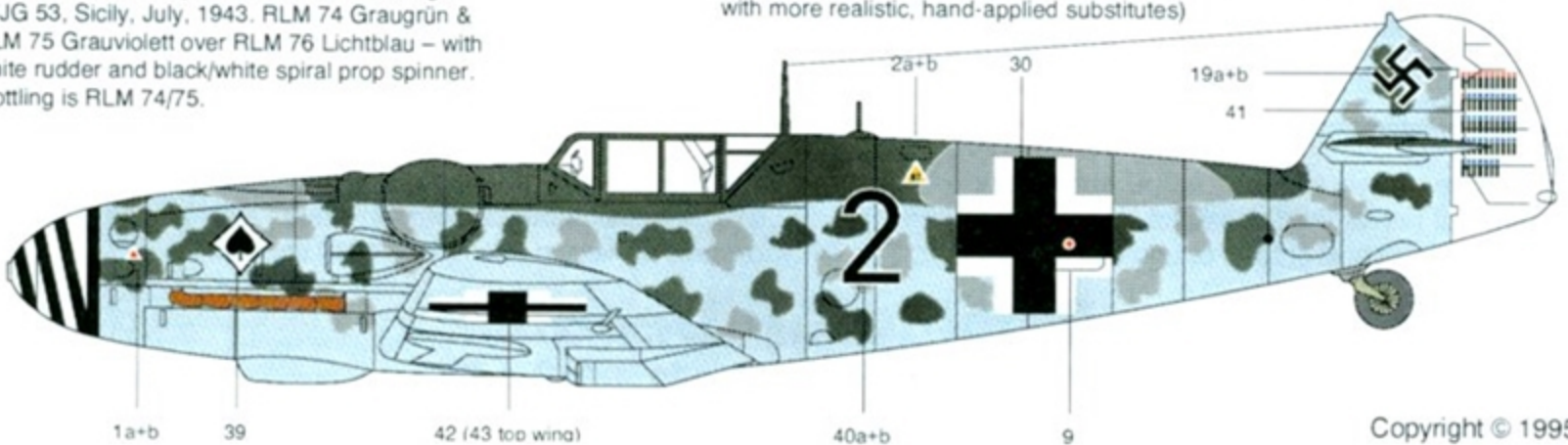


Bf 109G-4, 3./JG 53, flown by Obl. Wolfgang Tonne, Bizerta, Tunisia. RLM 79 Sandgelb and RLM 80 Olivgrün over RLM 78 Hellblau. White fuselage band & prop spinner, with RLM 04 Gelb ventral nose. Note thin black spinner base.



(alternate templates are provided for those wishing to replace decal 33 with more realistic, hand-applied substitutes)

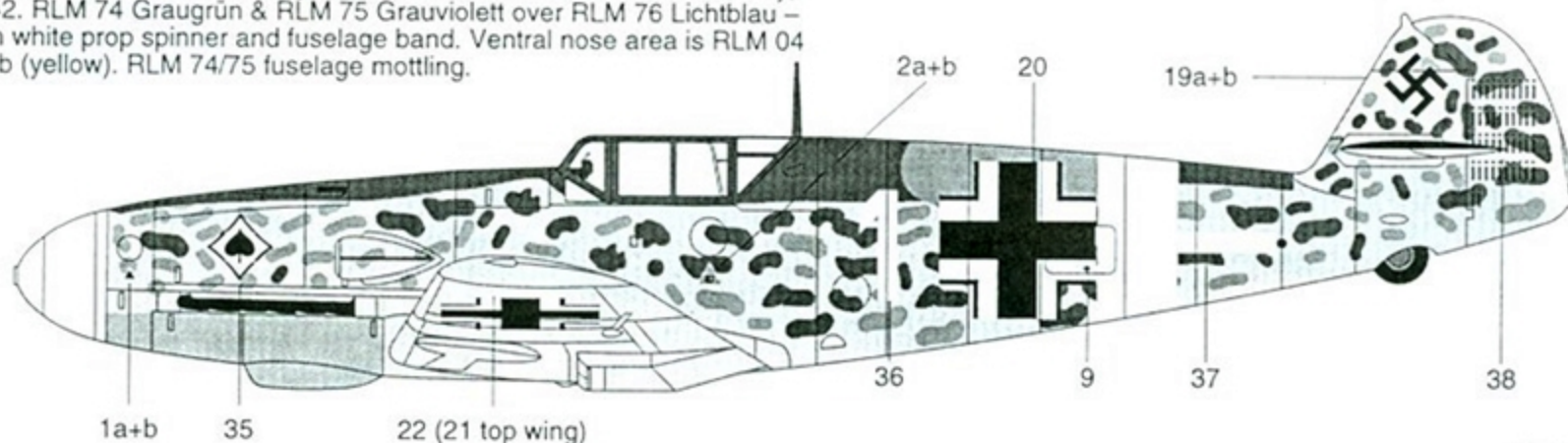
Bf 109G-6, piloted by Ofwbl. Herbert Rollwage, 5./JG 53, Sicily, July, 1943. RLM 74 Graugrün & RLM 75 Grauviolett over RLM 76 Lichtblau – with white rudder and black/white spiral prop spinner. Mottling is RLM 74/75.



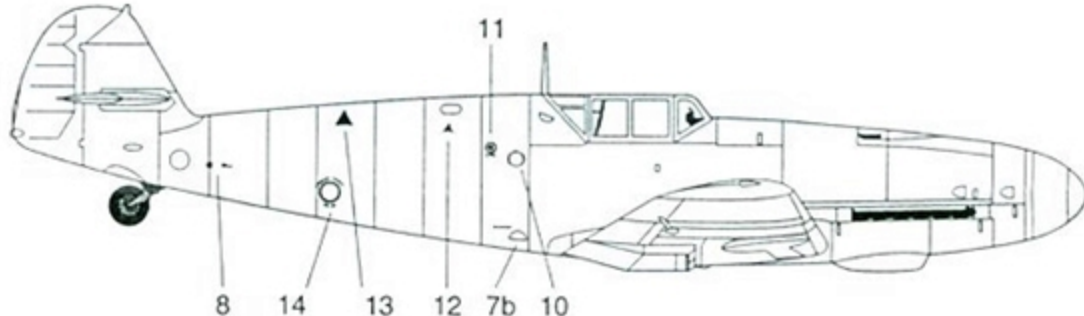
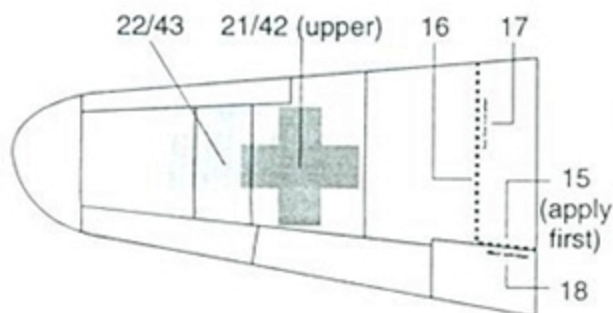
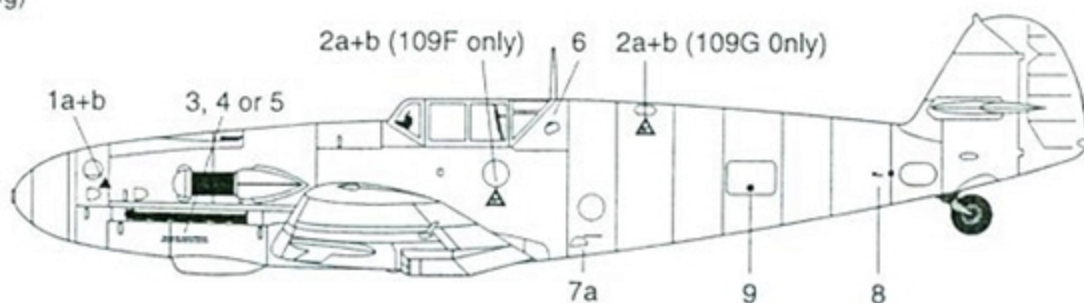


# AeroMaster Decals™

Bf 109F-4, 4./JG53, piloted by Obl. Gerhard Michalski, Pantelleria, July, 1942. RLM 74 Graugrün & RLM 75 Grauviolett over RLM 76 Lichtblau – with white prop spinner and fuselage band. Ventral nose area is RLM 04 Gelb (yellow). RLM 74/75 fuselage mottling.



## GENERAL 109F/G STENCIL & MARKINGS PLACEMENT



(Consult references & photos for upper-surface camouflage patterns)

We recommend **AeroMaster Warbird Colors** to compliment your high quality **AMD** decals

Colors required to complete the aircraft depicted on this decal sheet.

9001 Black	9025 RLM 74 Graugrün
9002 White	9026 RLM 75 Grauviolett
9003 Yellow	9027 RLM 76 Lichtblau
9004 Blue	9033 RLM 78 Hellblau
9005 Red	9034 RLM 79 Sandgelb
9010 Tire Black	9035 RLM 80 Olivgrün
9020 RLM 02 Gray	9036 RLM 04 Gelb

### Suggested Kits:

Hasegawa Bf 109F  
Hasegawa Bf 109G  
Hobbycraft Bf 109G

### References:

1. *Bf 109 Aces of North Africa and the Mediterranean* by Jerry Scutts (Osprey Aircraft of the Aces 2, Osprey Aerospace, 1994).

If you have suggestions for future subject matter, AeroMaster would like to hear from you. Our goal is to provide high quality, well researched decals of unusual and interesting subjects. We value our customers' inputs, so if you have specific suggestions or photographs of unusual subject matter which you would be willing to share, please contact:

# AeroMaster Decals™

3615 NW 20th Ave • Miami, Florida 33142 • USA