

Revell
Authentic Kit

Assembly Instructions For Your

Martin **B-57B**



INTERESTING FACTS ABOUT YOUR MARTIN B-57B BOMBER

One of the most versatile performers in the U. S. Air Force, the Martin B-57B night intruder light bomber has become an important unit in the Tactical Air Command. Originally developed in England as the Canberra, the Martin version incorporates many new design features, including a Martin developed rotary bomb door that permits this aircraft to drop bombs at greater flying speeds than any other plane in the world. The entire air frame was redesigned by Martin but the external features remain much the same with the exception of the pilot's canopy.

The B-57B has a wingspan of 64 feet and a length of 65½ feet. It is powered by two Wright J65-W-5 jet engines that develop 7,200 pounds of thrust each. Its crew consists of the pilot and a radar operator-navigator-bombardier, who are seated in tandem position and are both supplied with an ejection type seat.

In addition to its bomb load, the B-57B packs the additional wallop of four napalm tanks and eight 5-inch HVAR rockets. Also installed are eight machine guns.

Gross take-off weight of the aircraft is about 50,000 pounds, its range is more than 2,000 miles. Service ceiling is set in excess of 45,000 feet, and flight speeds above 500 knots.

An Air Force pilot who flew the B-57B in recent maneuvers has called it "A pilot's aircraft if I ever saw one." This is one of the greatest compliments that can be given to any aircraft.

PARTS LIST FOR YOUR MARTIN B-57B BOMBER

- | | | |
|---------------------------------|-----------------------------------|------------------------------------|
| 1. PILOTS AND SEATS | 12. JET INTAKE CAPS (2) | 23. LEFT WING TANK BOTTOM HALF |
| 2. RIGHT FUSELAGE HALF | 13. JET EXHAUSTS (2) | 24. RIGHT WING TANK BOTTOM HALF |
| 3. LEFT FUSELAGE HALF | 14. MAIN LANDING GEAR WHEELS (2) | 25. ROCKETS—WITH HOLES ON TOP (4) |
| 4. NOSE LANDING GEAR WHEELS (2) | 15. LEFT LANDING GEAR STRUT | 26. ROCKETS—WITH LOCATING PINS (4) |
| 5. NOSE LANDING GEAR STRUT | 16. RIGHT LANDING GEAR STRUT | 27. NAPALM TANK LEFT HALVES (4) |
| 6. NOSE-PIECE | 17. LEFT OUTER LANDING GEAR DOOR | 28. NAPALM TANK RIGHT HALVES (4) |
| 7. TAIL SECTION | 18. RIGHT OUTER LANDING GEAR DOOR | 29. NOSE LANDING GEAR DOORS (2) |
| 8. LEFT WING BOTTOM | 19. LEFT INNER LANDING GEAR DOOR | 30. CANOPY |
| 9. LEFT WING TOP | 20. RIGHT INNER LANDING GEAR DOOR | 31. MOUNTING BALL |
| 10. RIGHT WING BOTTOM | 21. LEFT WING TANK TOP HALF | 32. BALANCE STRUT |
| 11. RIGHT WING TOP | 22. RIGHT WING TANK TOP HALF | 33. DECALS |

SHOULD ANY PARTS BE MISSING, WRITE TO DEPT. X, REVELL, INC., 4223 GLENCOE AVE., VENICE, CALIF.

YOUR NAME _____

(Please Print)

STREET ADDRESS _____

CITY _____

ZONE _____

STATE _____

NOTE: Apply cement sparingly, since it will soften plastic if too much is used. Do not let cement touch the eyes or your clothing.

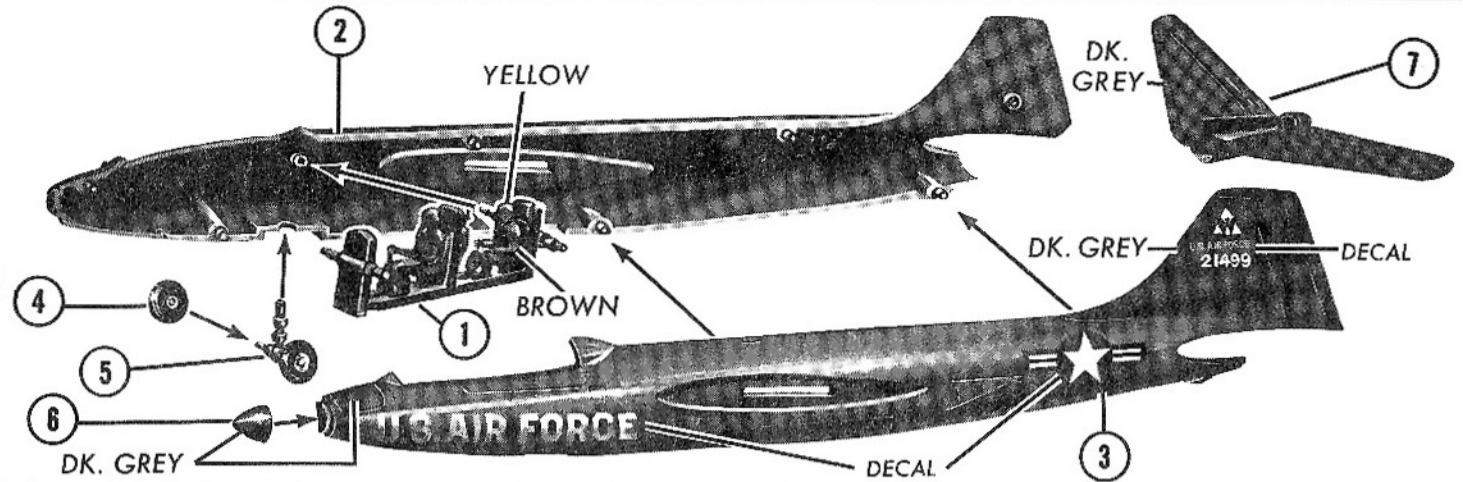
Read complete instruction sheet before building your model. This kit is molded of Styrene Plastic. Be sure to use only **REVELL TYPE 5 CEMENT** for best results. Ask for it by name. Be very careful when applying cement. Apply cement only to the area that you wish to cement. Before assembling this kit, where needed, trim all excess plastic from parts for a good fit. Paint all parts with **REVELL PAINT SET** enamel colors before assembling, if possible. Lay out parts needed for each step and follow carefully. Read instructions on back of decal sheet before applying decals. Apply decals after completing model.

FOLLOW NUMBERED STEPS CAREFULLY FOR EASE IN BUILDING YOUR MODEL

1

PAINT ALL DETAIL BEFORE ASSEMBLING

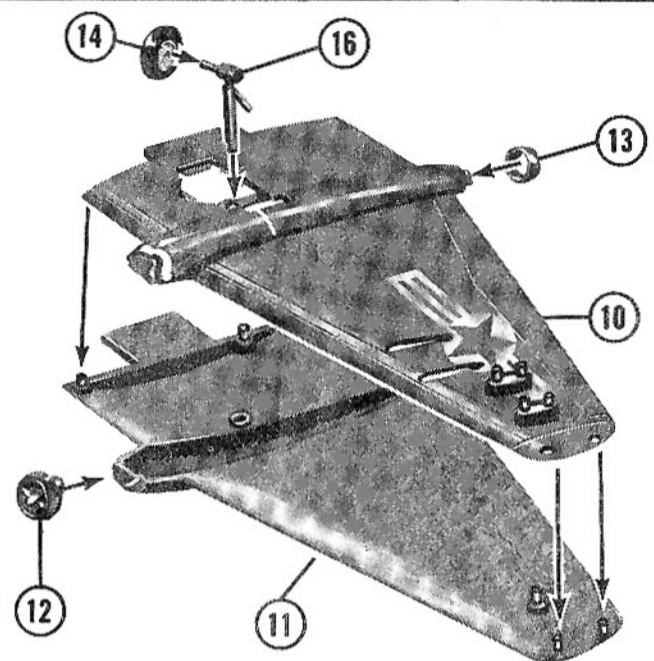
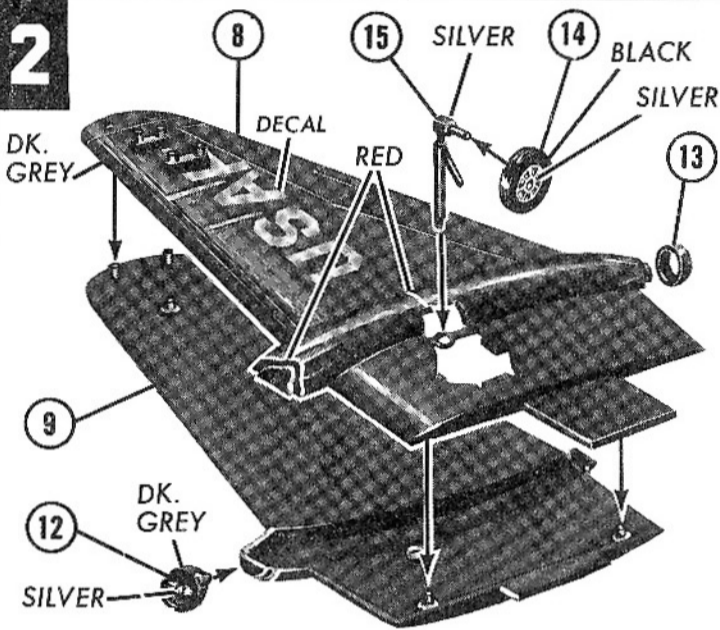
Cement Pilots (Part 1) into right fuselage half, (Part 2). Cement Left Fuselage Half (Part 3) to Right Fuselage Half. Snap Nose Landing Gear Wheels (Parts 4) onto nose landing gear strut, (Part 5) Cement Nose Landing Gear in position as shown. Cement Nose-Piece (Part 6) to front, and Tail Section (Part 7) to rear of fuselage.



2

PAINT ALL DETAIL BEFORE ASSEMBLING

Cement Left Wing Bottom (Part 8) and Left Wing Top (Part 9) together. Cement Right Wing Bottom (Part 10) and Right Wing Top (Part 11) together. Now cement both Jet Intake Caps (Parts 12) to the front of the engine nacelles. Cement both Jet Exhausts (Parts 13) to the rear of engine nacelles. Place both Main Landing Wheels (Parts 14) on the left and right Main Landing Gear Struts (Parts 15 & 16). Use heated screwdriver to form hubs. Now cement left and right landing gears into left and right wings, as shown.

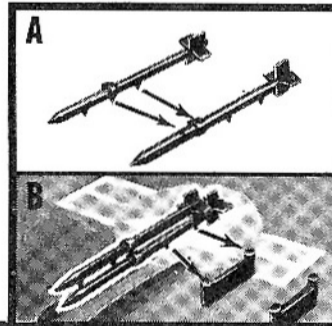
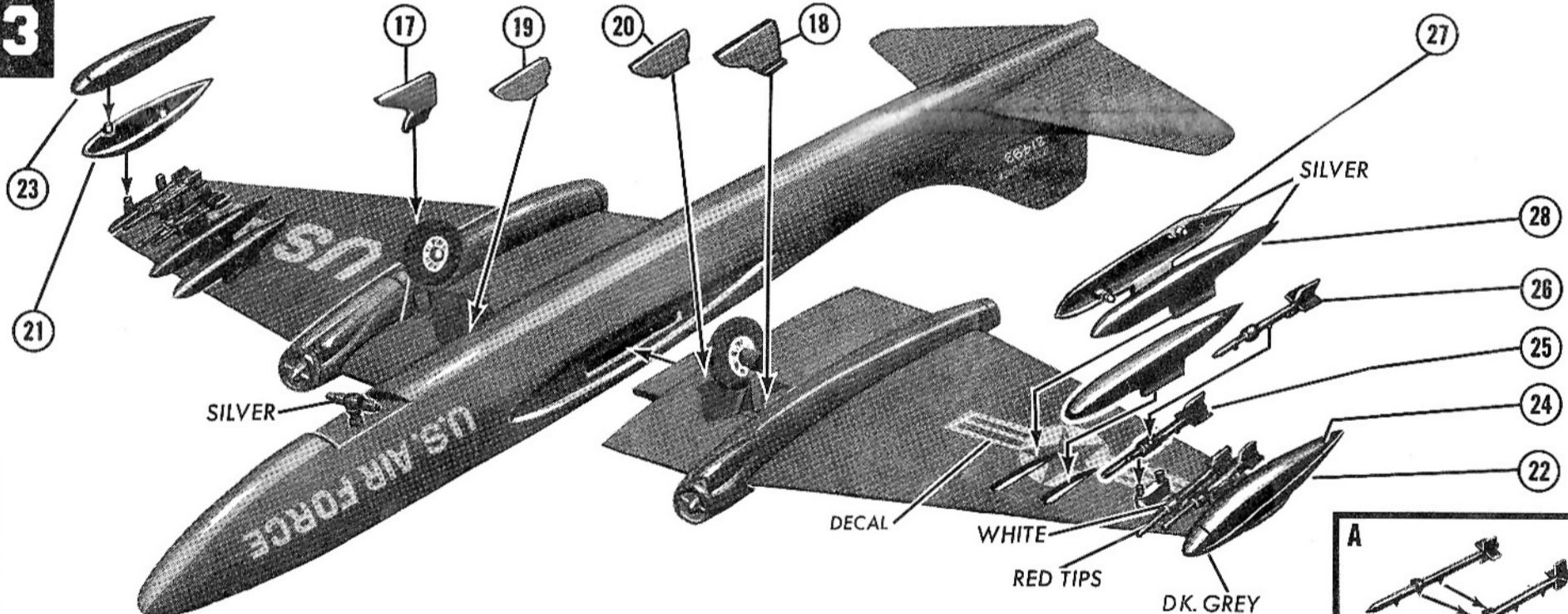


3

PAINT ALL DETAIL BEFORE ASSEMBLING

Cement left and right wings into fuselage. Cement Left and Right Outer Landing Gear Doors (Parts 17 & 18) to left and right wing. Cement Left and Right Inner Landing Gear Doors (Parts 19 & 20) to left and right wing. Cement Left Wing Tank Top Half (Part 21) marked "L" and Right Wing Tank Top Half (Part 22) marked "R" to the pins on left and right wings. Cement Left Wing Tank Bottom Half (Part 23) marked "L"

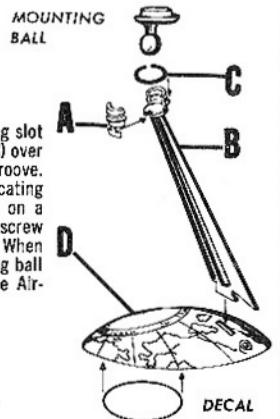
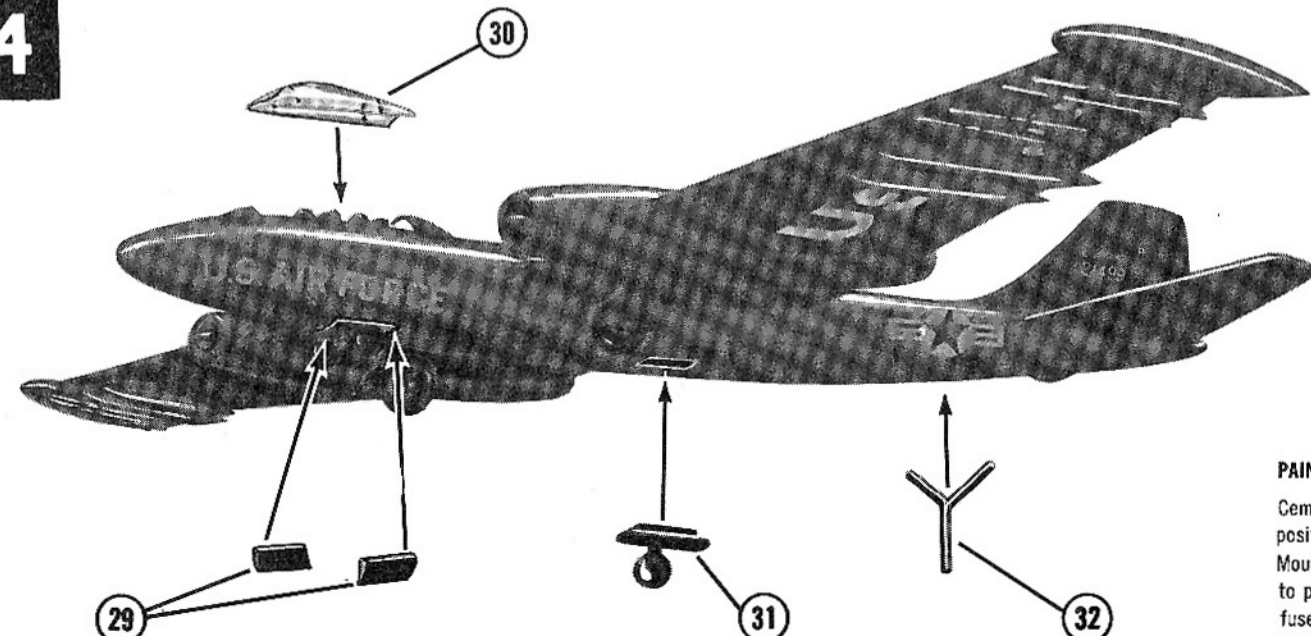
and Right Wing Tank Bottom Half (Part 24) marked "R" to left and right wing tank tops. Apply decals to fit around rocket brackets on wings. Now cement a Rocket (with holes on top) (Parts 25) to each bracket on left and right wings, let dry, then cement another rocket to each rocket on bracket with locating Pins (Parts 26). Cement Napalm Tank Left Halves (Parts 27) to Napalm Tank Right Halves (Parts 28). Now cement these tanks to wing locators.



4

PAINT ALL DETAIL BEFORE ASSEMBLING

Cement Nose Landing Gear Doors (Parts 29) under fuselage (in open position as shown). Cement Canopy (Part 30) into place. Cement Mounting Ball (Part 31) into slot underneath fuselage only if you wish to place model on display stand. Cement Balance Strut (Part 32) to fuselage.



EACH REVELL KIT IS MORE FUN THAN THE LAST



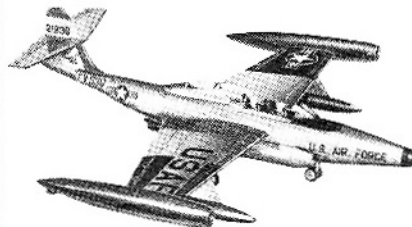
PRIDE OF THE HIGH SEAS

S.S. UNITED STATES—pride of America's great merchant fleet. Comes with cargo booms, 24 lifeboats, radar equipment, 20" over-all length. With display stand. Just one of REVELL's many ship models. **\$1.98**



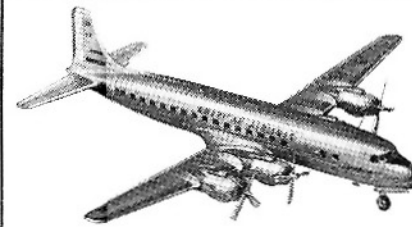
THEY SAIL FOR LIBERTY

AIRCRAFT CARRIER FRANKLIN D. ROOSEVELT—with radar, complete armament; also includes 26 planes. Built to scale in every detail. 21½" over-all length. Complete with display stand. **\$2.49**



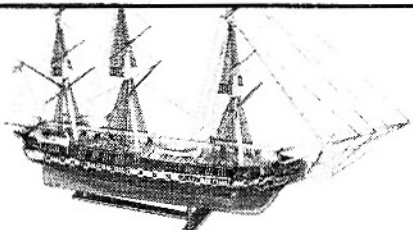
THEY FLY FOR FREEDOM

F-89D SCORPION INTERCEPTOR—famous for its flights over the Northern snows, around the Polar ice cap. Complete with USAF decals, figures of pilot and radar observer. 8¾" wingspan! With base. **89¢**



GIANT OF THE AIRWAYS

DOUGLAS DC-7—pride of the airlines, 410 m.p.h., 95-passenger transport. 11¼" wingspan! "Flagship" of the REVELL fleet of airliners, swivel base included with each kit. **98¢**



"OLD IRONSIDES"

U. S. FRIGATE CONSTITUTION—captured in all its glory, and complete from figurehead to 32-pounders and prefabricated ratlines. Measures 17¼ inches overall. A history making set! **\$2.98**



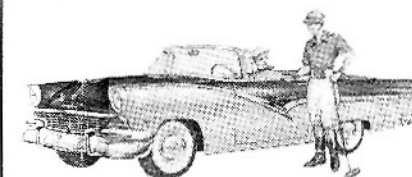
AIR-SEA RESCUE

SIKORSKY HELICOPTER—Here's the helicopter you've read about in the newspapers doing such noble rescue work. Comes complete with floats and wheels for take-offs and landings from deck and water. Sculptured figure hanging by rescue line. **98¢**



PIRATES' FAVORITE WEAPON

BLUNDERBUS—recreated in actual size, this gun model features intricate ornamentation, straight from the original. Plastic simulated wood and metal. Complete with stand for display on your desk or wall. **\$1.98**



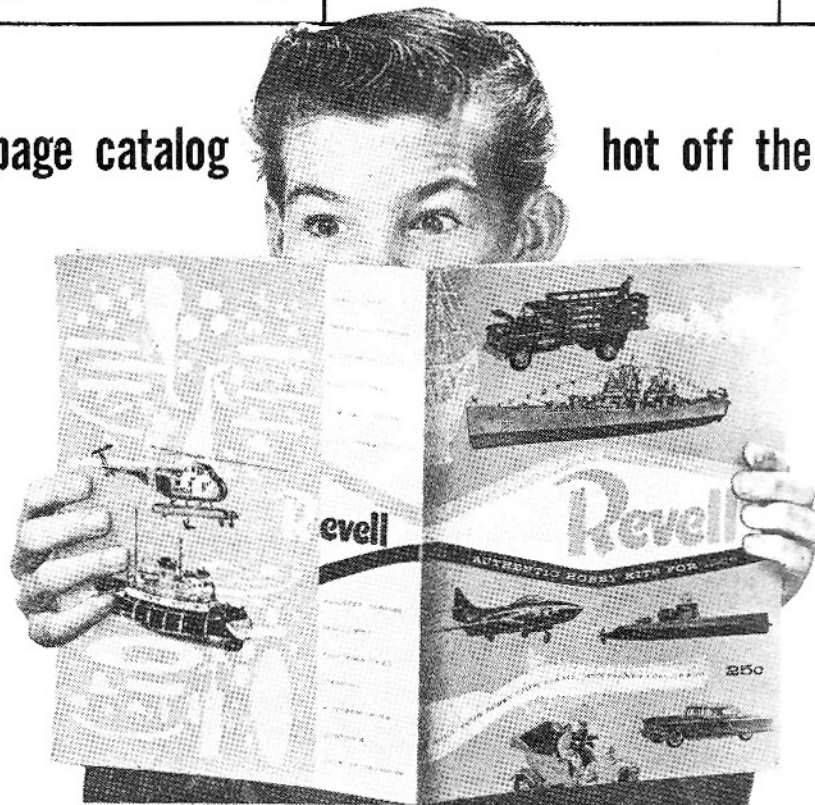
IT'S A F-O-O-O-O-R-D!

'56 FORD FAIRLANE—Here's the glamorous Sunliner two-tone convertible, scaled down right from Ford production blueprints. Complete with detailed chassis, dashboard, paneling, engine, movable hood, and sculptured figures. **98¢**

... and just look at this 32 page catalog

hot off the press!

HURRY! THIS COUPON AND 25¢ BRINGS YOU NEW REVELL CATALOG



REVELL, INC.
4223 Glencoe Avenue, Dept. CRM, # 230
Venice, California

Please rush to me by return mail your 32-page illustrated catalog showing the complete Revell line of models. I am enclosing 25¢ (stamps or coins).

NAME _____

ADDRESS _____

CITY _____ ZONE _____ STATE _____

MY REVELL DEALER IS _____

What kits! What kicks! And now at last all under one cover in a 32-page catalog—every single model in the entire REVELL line—and each with an actual photograph so you can see what each model will look like after you've put it together. And how handy to leave the catalog open on your living room table as a gentle hint to Mother and Dad about what new REVELL kits you want to tackle next! Use the handy coupon on this page and send for your copy of the first complete REVELL catalog—this very minute—right now before you fold this sheet up!

U.S. AIR FORCE

RIGHT

USAF

RIGHT WING

USAF

LEFT WING

U.S. AIR FORCE

LEFT

LEFT FUS.



U.S. AIR FORCE
21499
RIGHT



RIGHT WING

U.S. AIR FORCE
21499
LEFT

LEFT



RIGHT FUS.



LEFT WING