

48th Scale

NO.

48-62



A-7D CORSAIR II'S

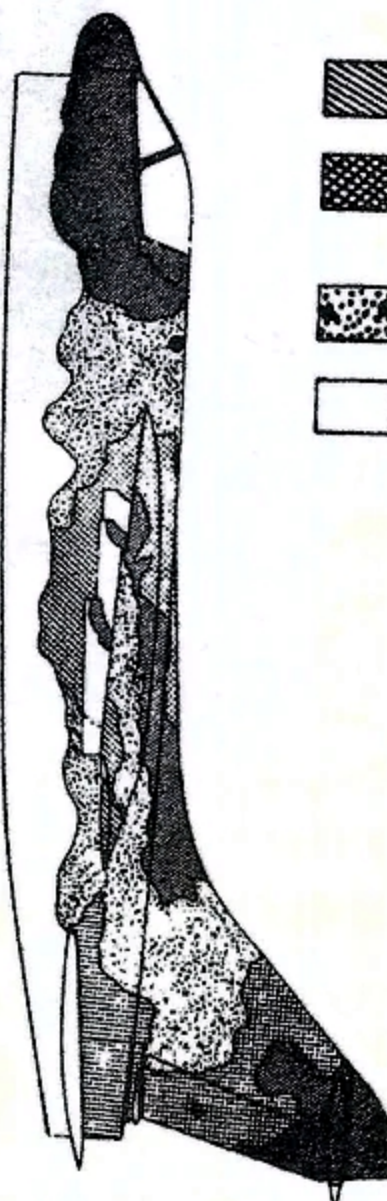
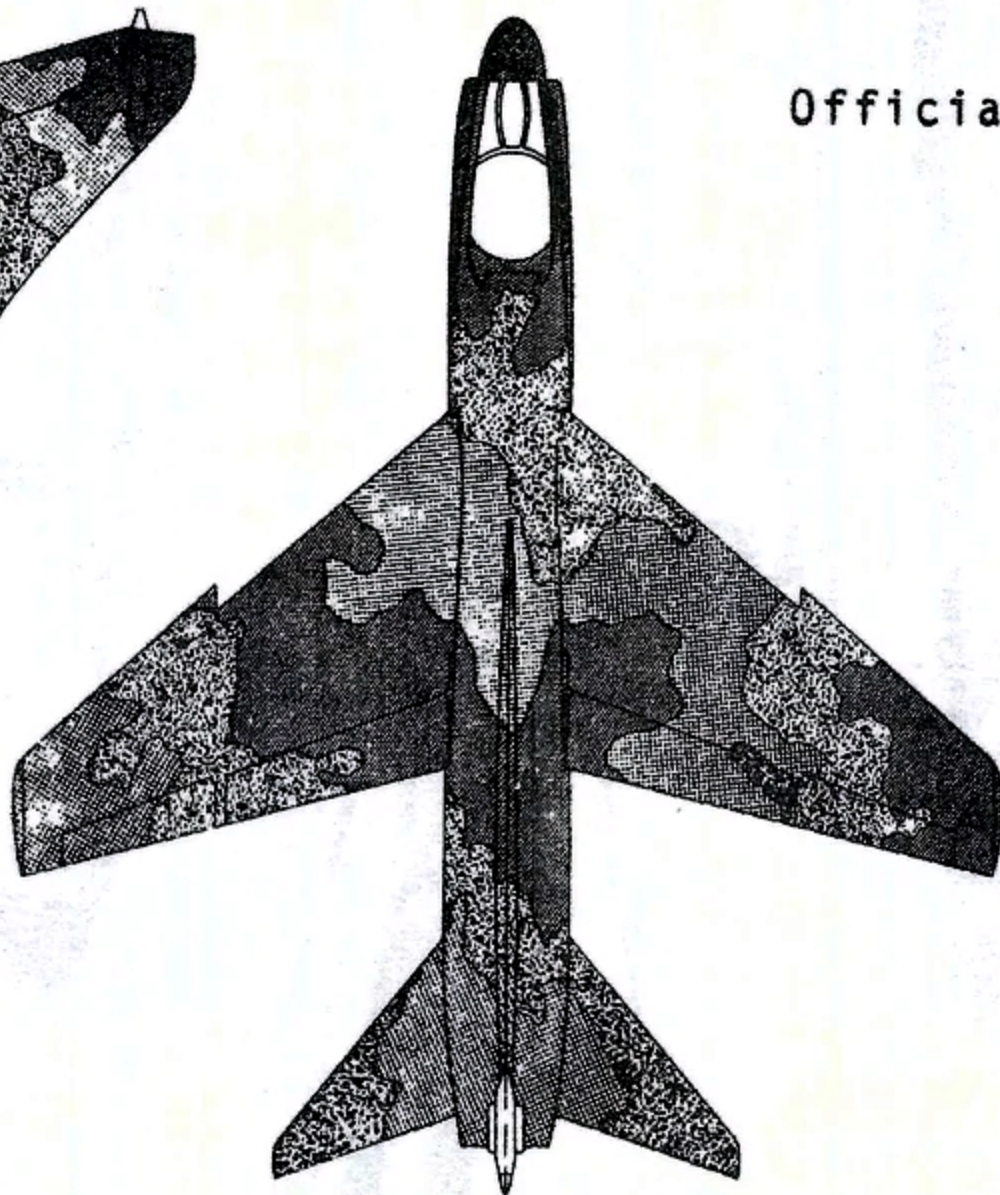
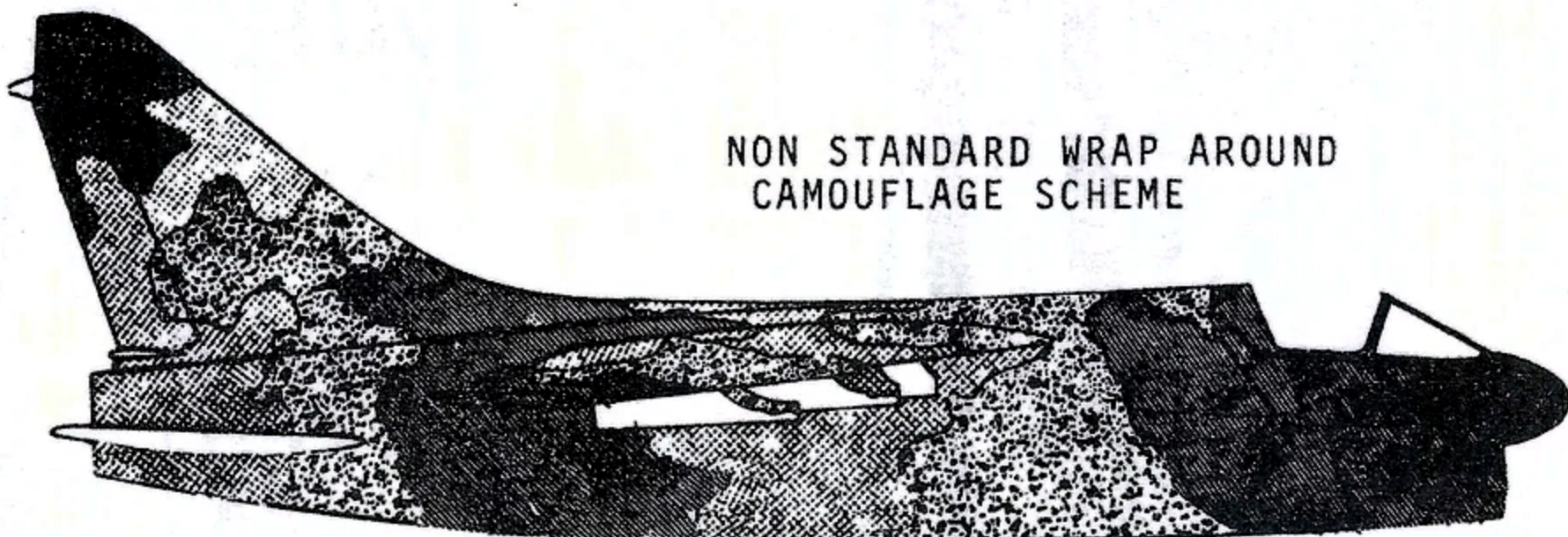
MICROSCALE DECAL

BY KRASEL INDUSTRIES, INC., SANTA ANA, CA. 92705

AIRCRAFT

RECOMMENDED KIT:
(ESCI SCALECRAFT A-7D)

NON STANDARD WRAP AROUND
CAMOUFLAGE SCHEME



Official A-7 camouflage pattern

-  34079 Green
-  34102 Green
-  30219 Tan
-  36622 Gray



The International Plastic Modelers Society is an organization devoted to developing the plastic modeling art. It was formed "By Modelers - For Modelers". If you wish to expand your modeling talents, write for further information to: IPMS/USA, New Member Information, P.O. Box 2555, Long Beach, Ca., 90801; or P.O. Box 163, Ben Franklin Station, Washington D.C., 20044.

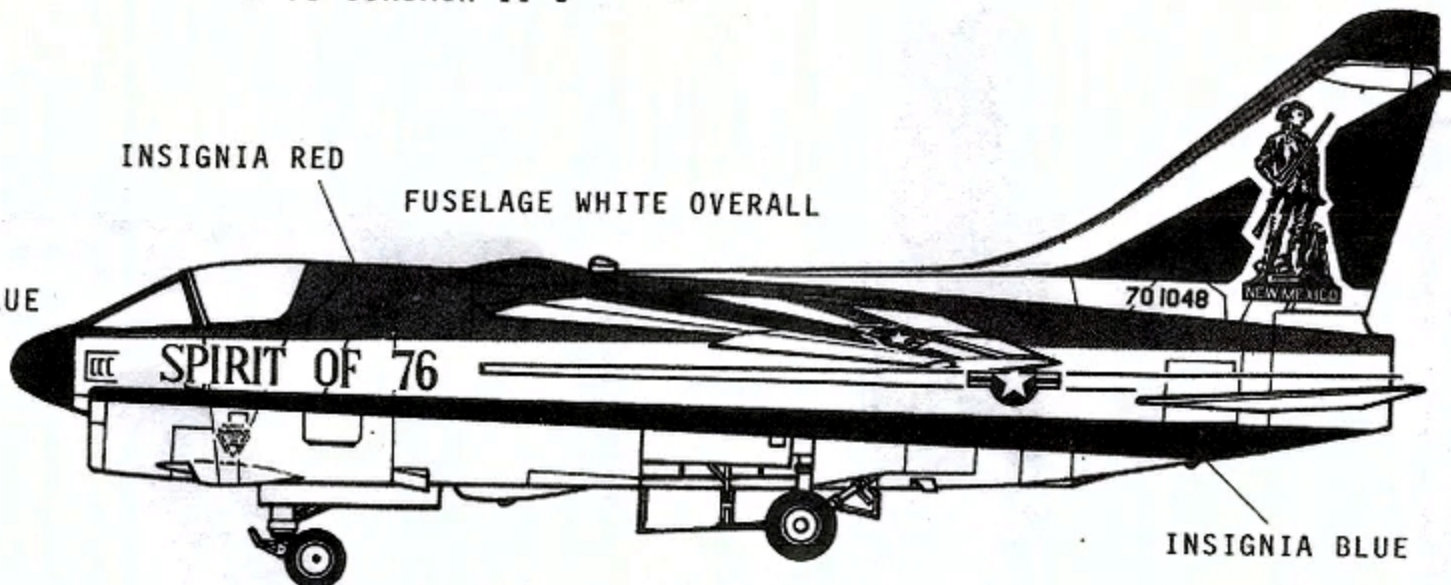
A-7D CORSAIR II's

ANG-BICENTENNIAL
NEW MEXICO

RADOME INSIGNIA BLUE

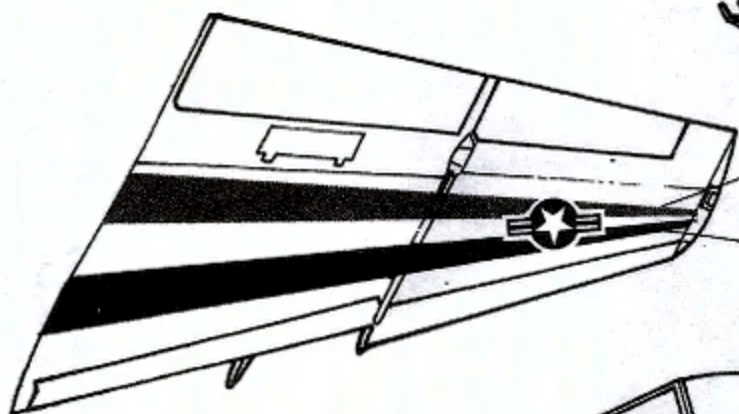
INSIGNIA RED

FUSELAGE WHITE OVERALL



INSIGNIA BLUE

UNDERSURFACES ALL WHITE



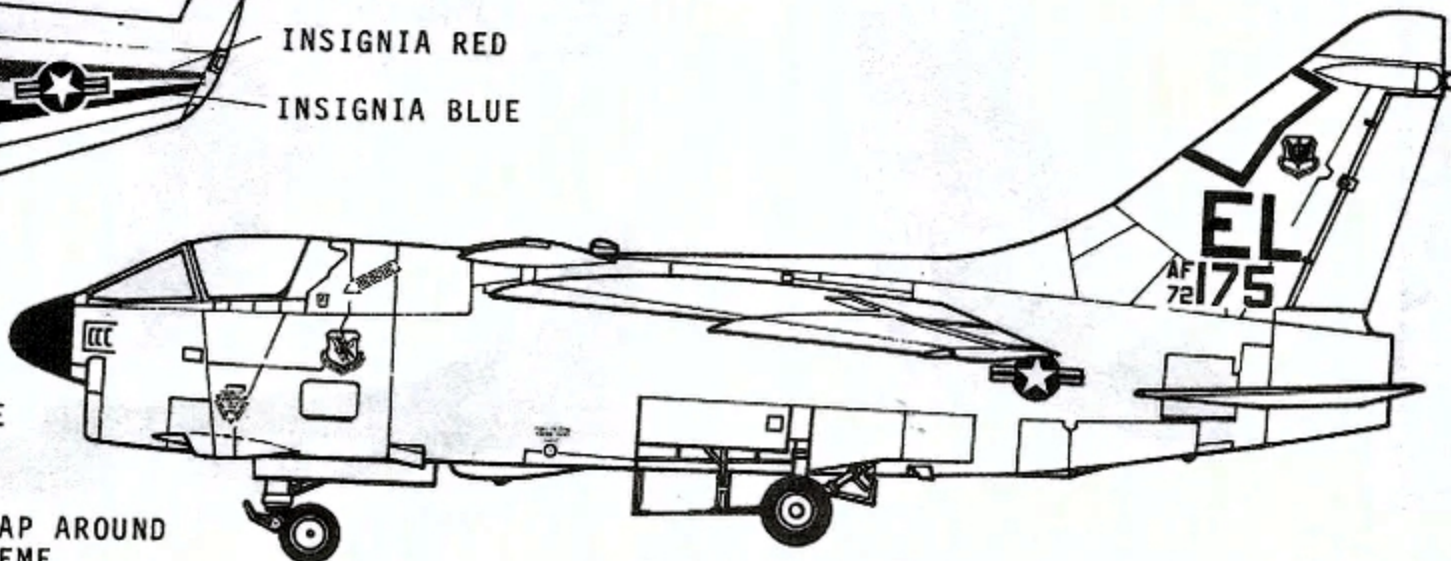
INSIGNIA RED

INSIGNIA BLUE

23rd TFW

BLACK RADOME

NON STANDARD WRAP AROUND
CAMOUFLAGE SCHEME



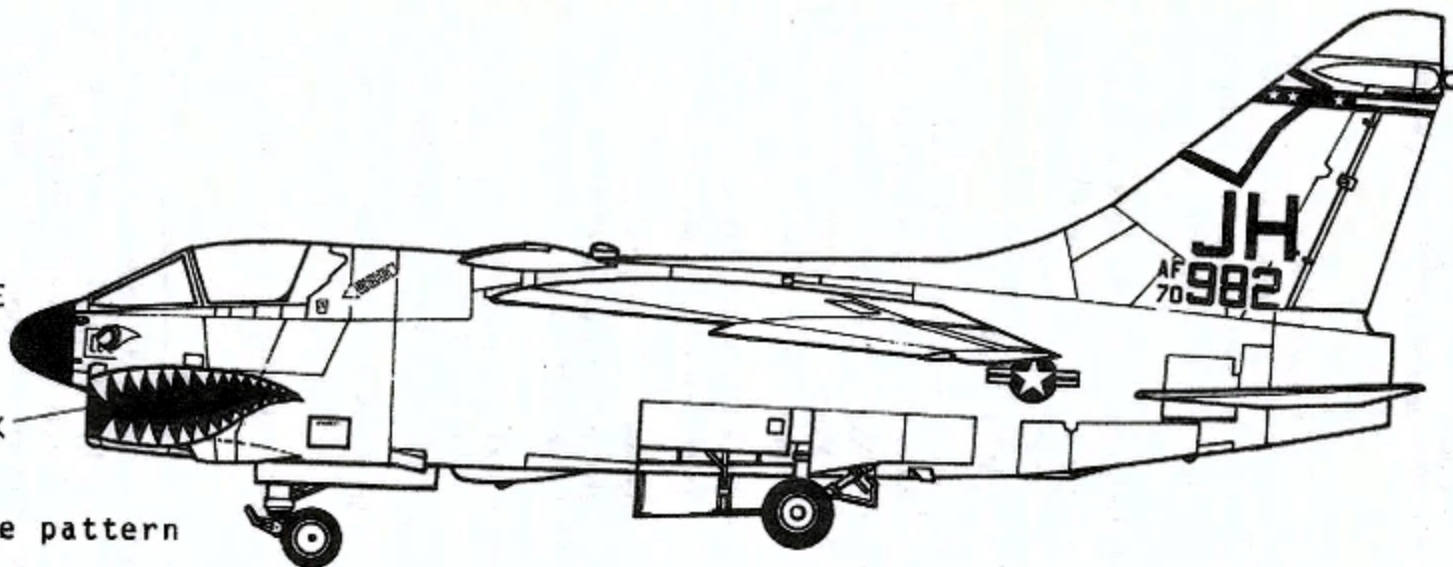
INTERIOR OF LANDING GEAR DOORS, STRUTS,
AND HUBS ARE WHITE

3rd TFS

BLACK RADOME

BLACK

Official A-7 camouflage pattern



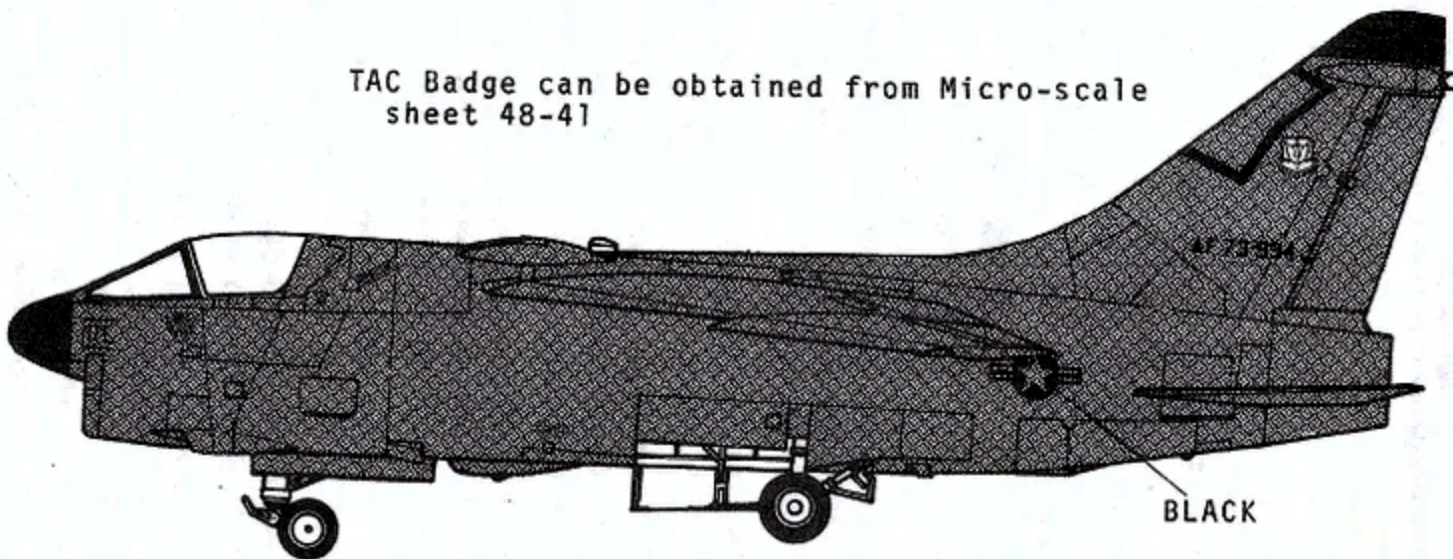
INTERIOR OF LANDING GEAR DOORS, STRUTS,
AND HUBS ARE WHITE

TAC Badge can be obtained from Micro-scale
sheet 48-41

BLACK RADOME

355th TFS

DAVIS MONTHAN AFB,
EXPERIMENTAL CAMOUFLAGE
DK. BLUE-GRAY OVERALL



BLACK

INTERIOR OF LANDING GEAR DOORS, STRUTS,
AND HUBS ARE WHITE