



German Schützenpanzer With Workable Track Links

德国“美洲狮”现代步兵战车 1/35 SCALE

PUMA

ASSEMBLY ICONS



OPTIONAL
选择



CEMENT
膠水



DO NOT CEMENT
不使用膠水



INSTANT CEMENT
瞬間接著劑



BEND
彎折



MAKE 2
製作2組



OPEN HOLE
鑽孔



REMOVE
切除



BE CAREFUL
注意



APPLY DECAL
貼上水貼紙

CAUTION!

Read carefully and fully understand the instructions before commencing assembly.
Supervising adult should also read the instructions if a child assembles the model.
When you used glue or paint, do not use near a naked flame, and use in a well-ventilated room.
When assembling this kit, tools including knives are used. Extra care should be taken to avoid personal injury.
Read and follow the instructions supplied with paints and/ or cement. Use plastic cement and paints only.
Keep out of reach of small children. Children must not be allowed to suck any part, or pull vinyl bag over the head.

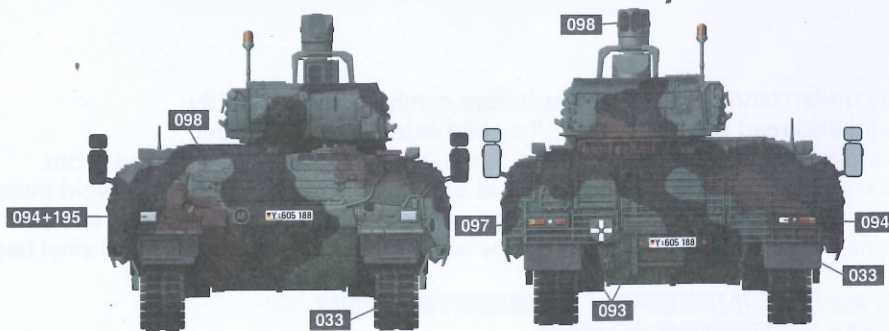
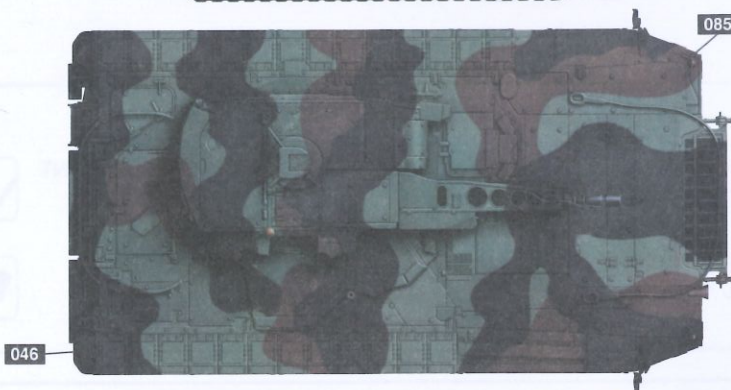
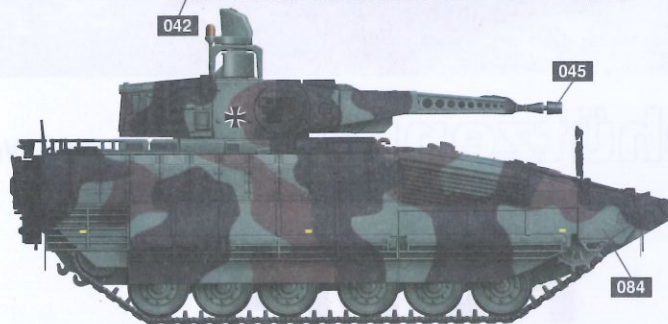
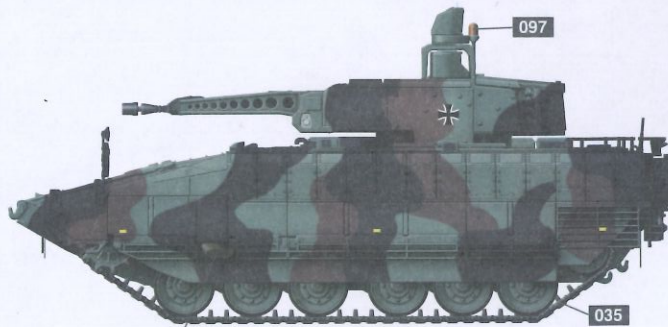
在裝配前仔細閱讀說明並完全理解。小孩裝配時需成人看護且需仔細閱讀說明。
使用膠水和油漆時，應遠離火源並打開窗戶保持空氣流通。
製作時請格外注意工具刀和零件的鋒利尖銳部分，避免對身體造成傷害。
在使用膠水和油漆前仔細閱讀注意事項，按照說明正確使用膠水和油漆。
請將本品放在兒童接觸不到的地方，套件中的塑膠包裝袋會對兒童造成窒息的危險。



PUMA

Painting and Marking Guide

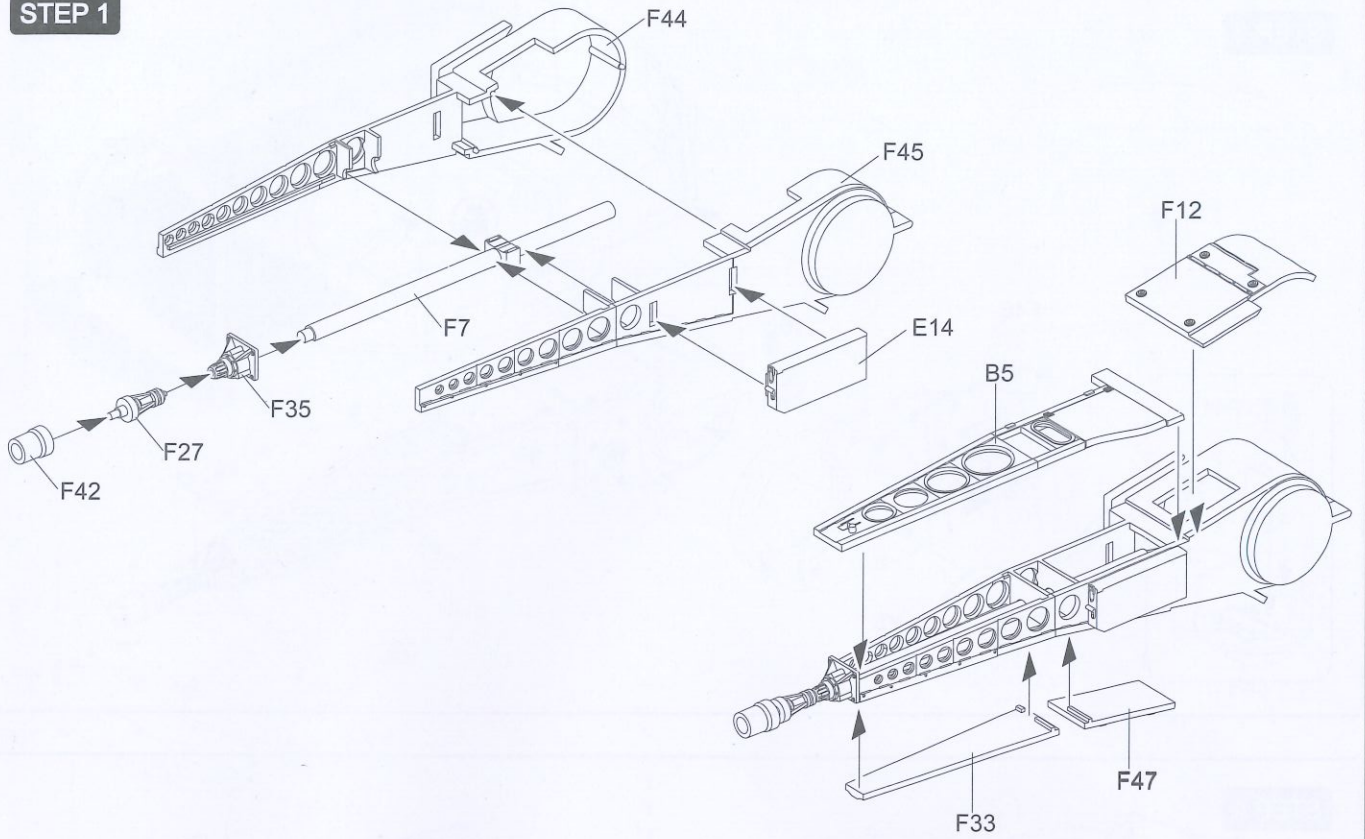
 A.MIG 033 Rubber & Tires	 A.MIG 035 Dark Tracks	 A.MIG 042 Old Rust
 A.MIG 045 Gun Metal	 A.MIG 046 Matt Black	 A.MIG 084 NATO Green
 A.MIG 085 NATO Brown	 A.MIG 093 Crystal Red	 A.MIG 094 Crystal Glass
 A.MIG 097 Crystal Orange	 A.MIG 098 Crystal Black Blue	 A.MIG 094 Crystal Glass 50% A.MIG 195 Silver 50%



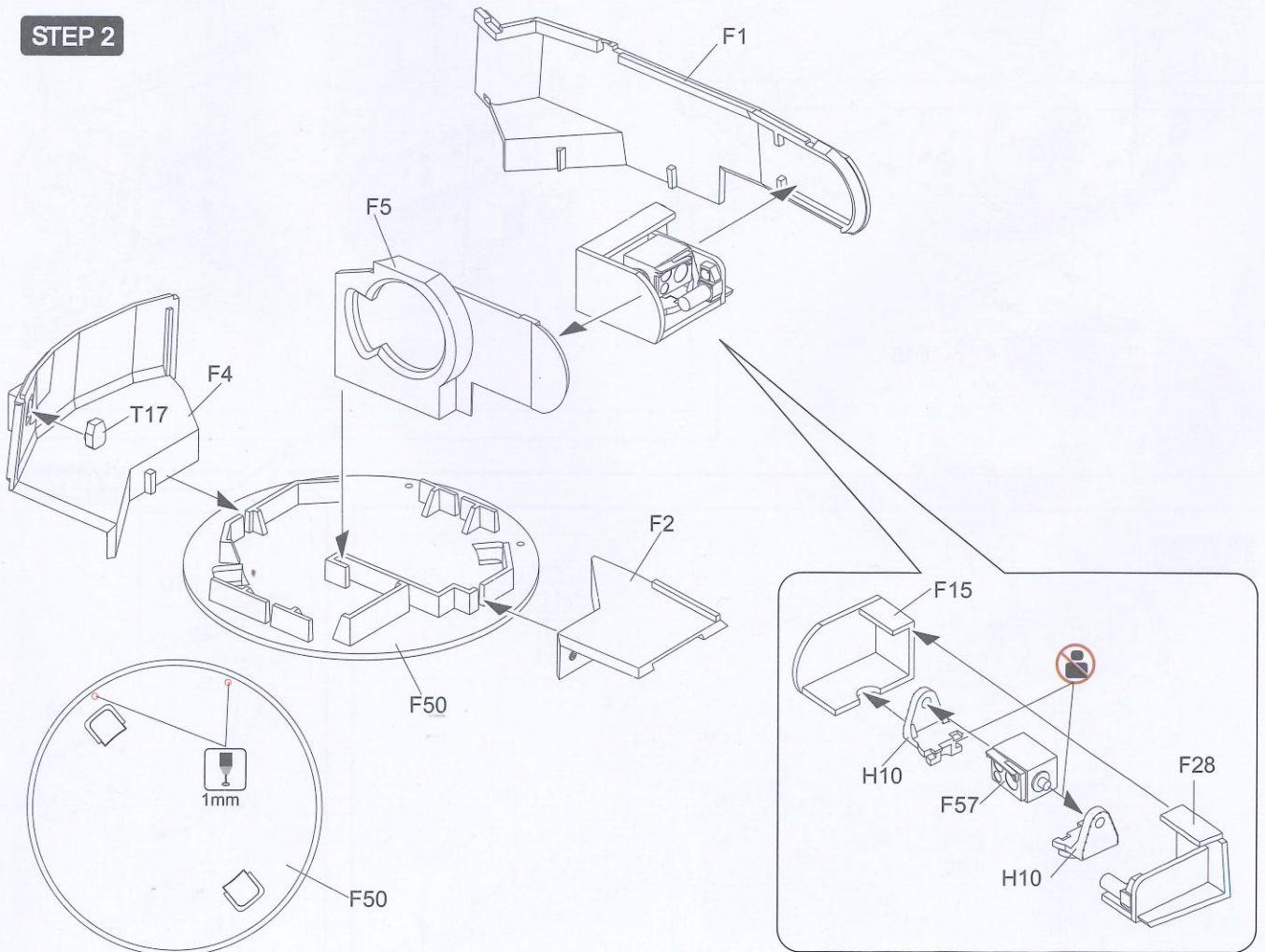
WEATHERING STEPS WITH AMMO PRODUCTS

- | | | | |
|--|--|---|--|
| 1 GENERAL WASH
A.MIG-1008 Dark Wash | 3 STREAKING
A.MIG-1208 Rainmarks Effects | 5 DUST
A.MIG-3004 Europe Earth | 7 HEAVY MUD
A.MIG-1704 Heavy Earth |
| 2 FILTER
A.MIG-1510 Tone for 3 tone camo | 4 TRACKS WASH
A.MIG-1002 Tracks Wash | 6 SPLASHES
A.MIG-1753 Turned Dirt | 8 GREASE & OIL
A.MIG-1408 Fresh Engine Oil |

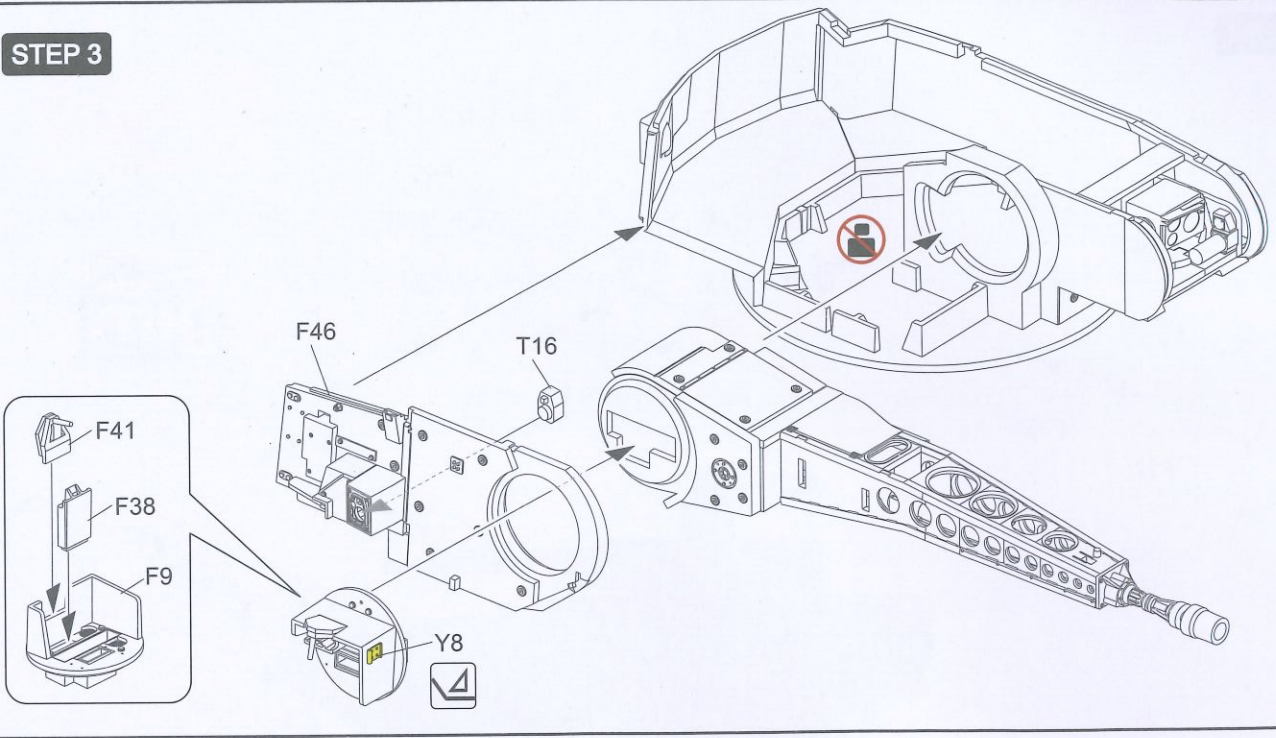
STEP 1



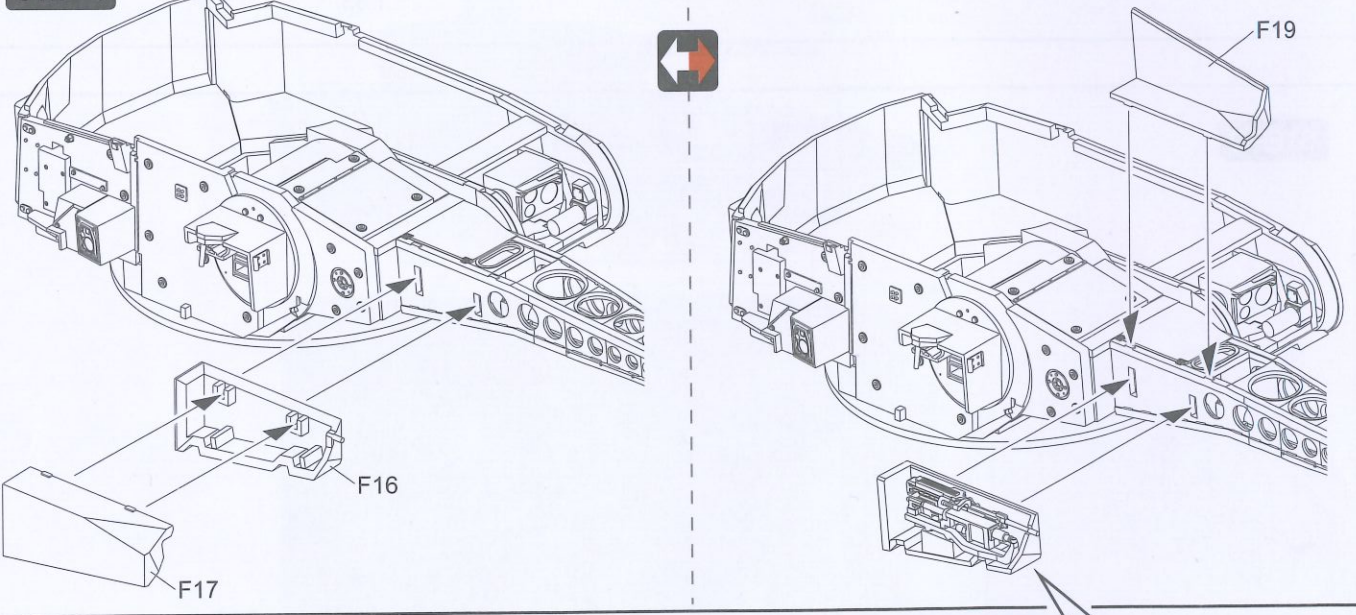
STEP 2



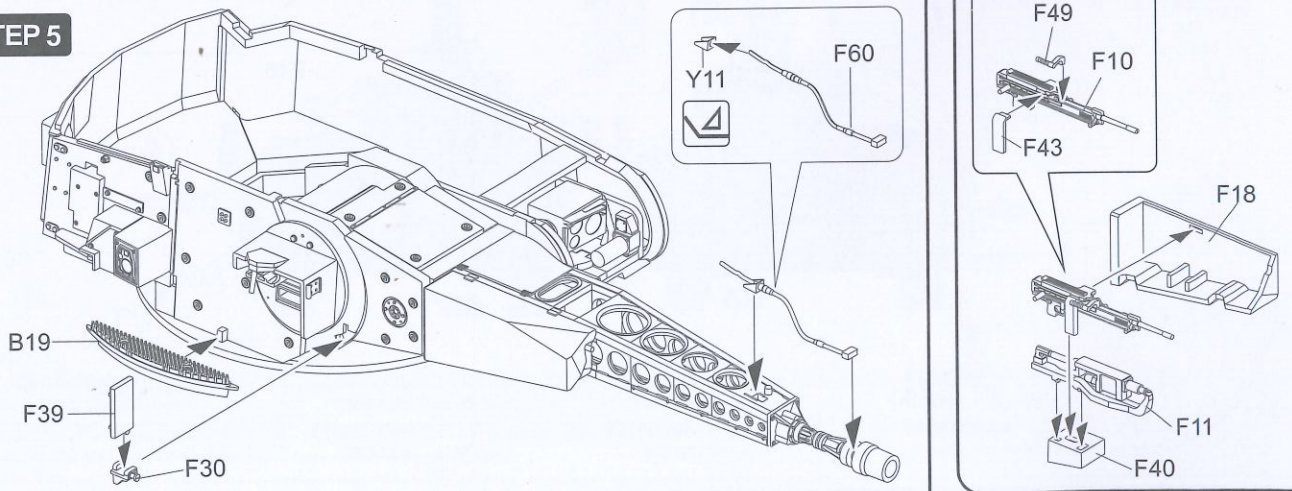
STEP 3



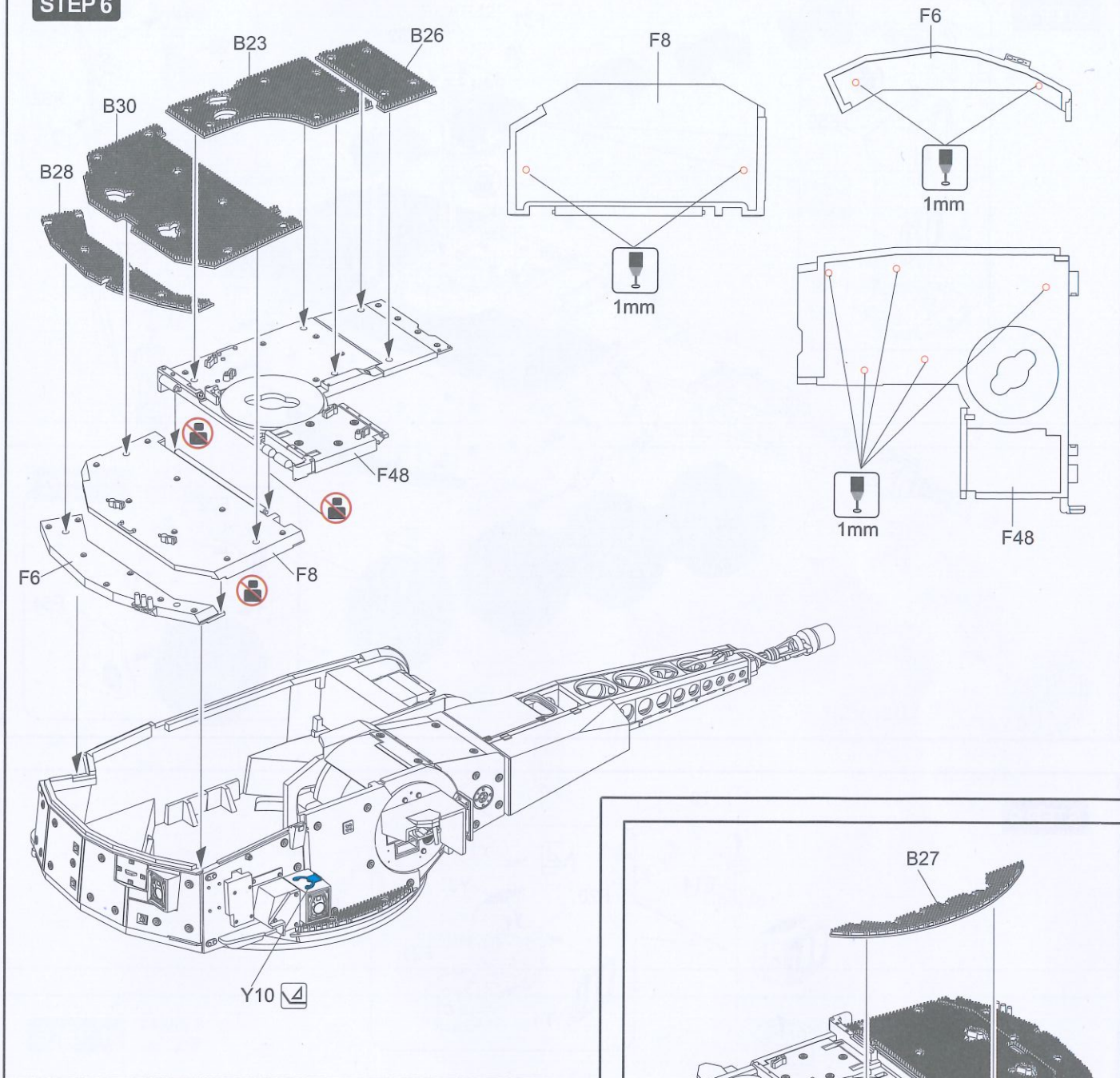
STEP 4



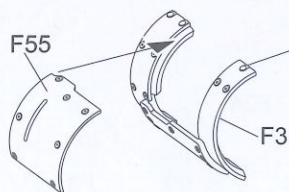
STEP 5



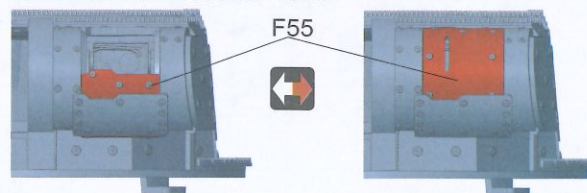
STEP 6



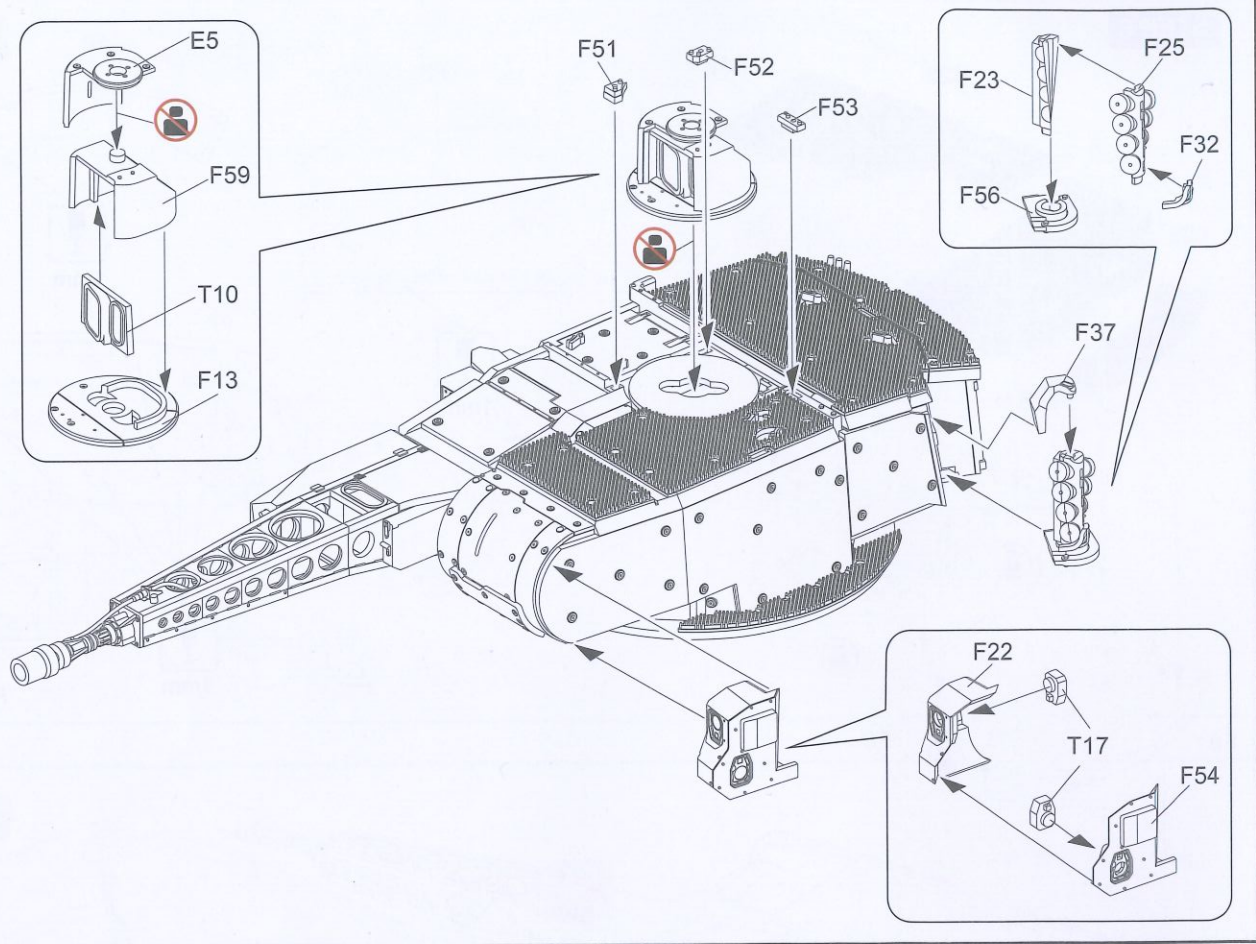
STEP 7



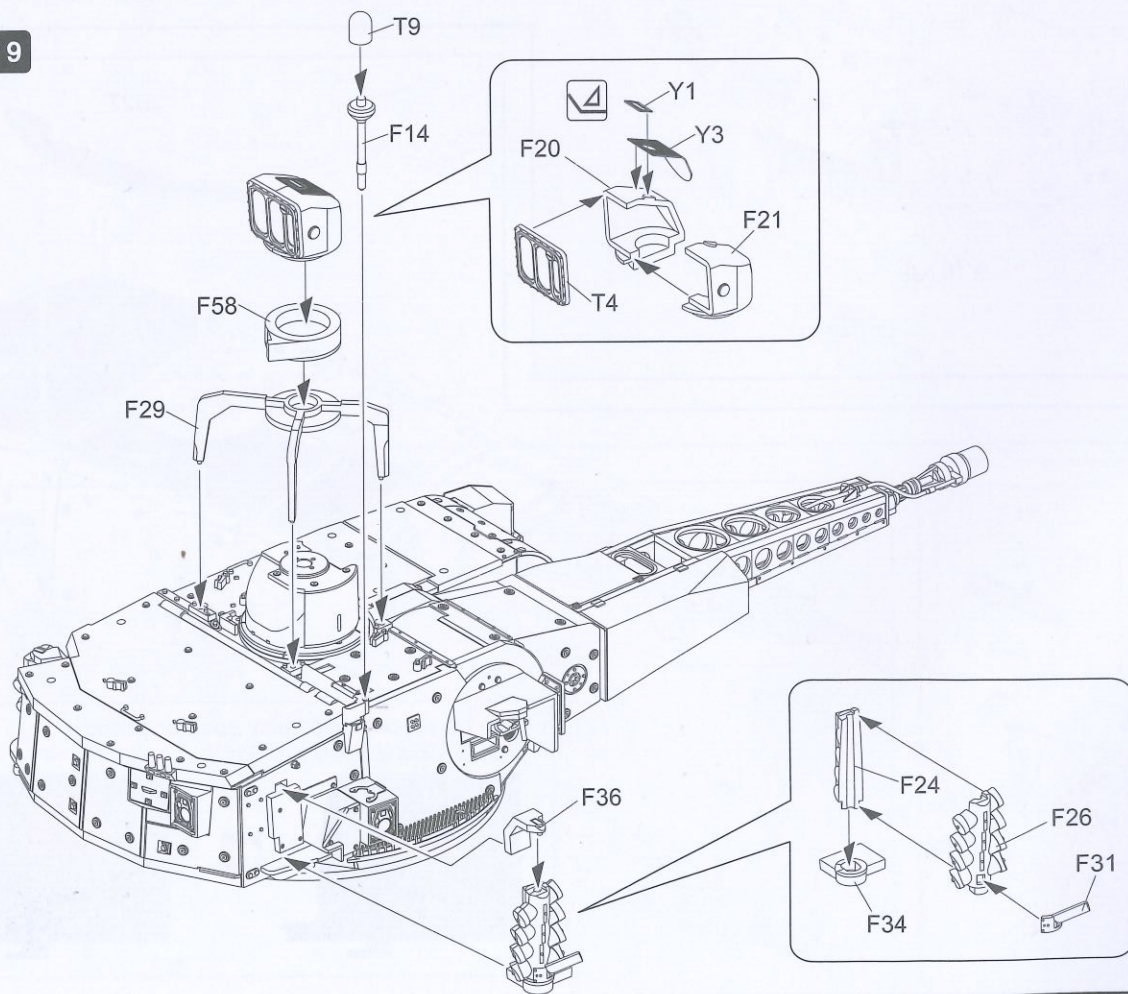
Can be optional assembly open or closed
 可选装关闭或任意角度的打开状态



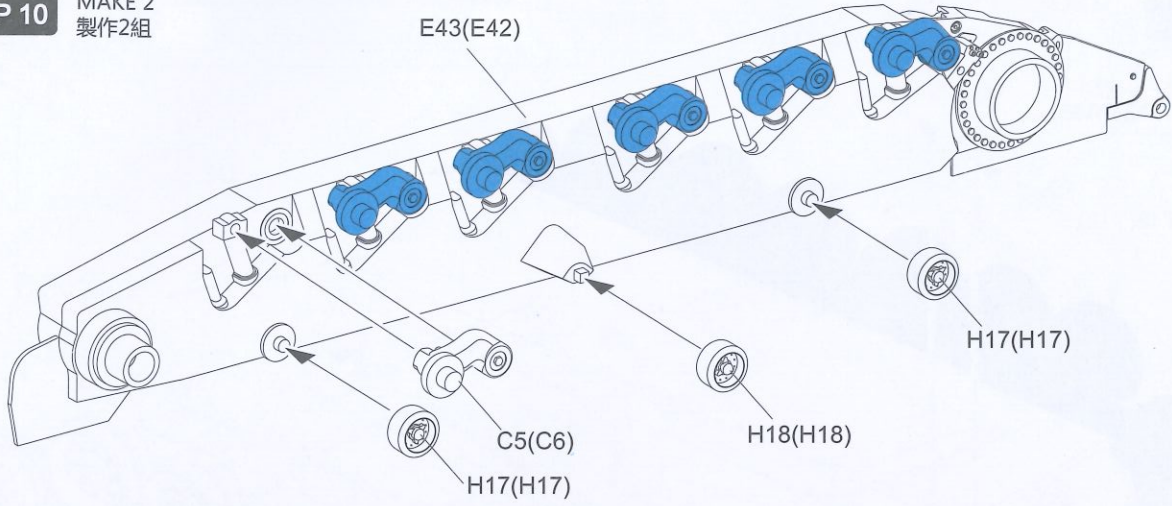
STEP 8



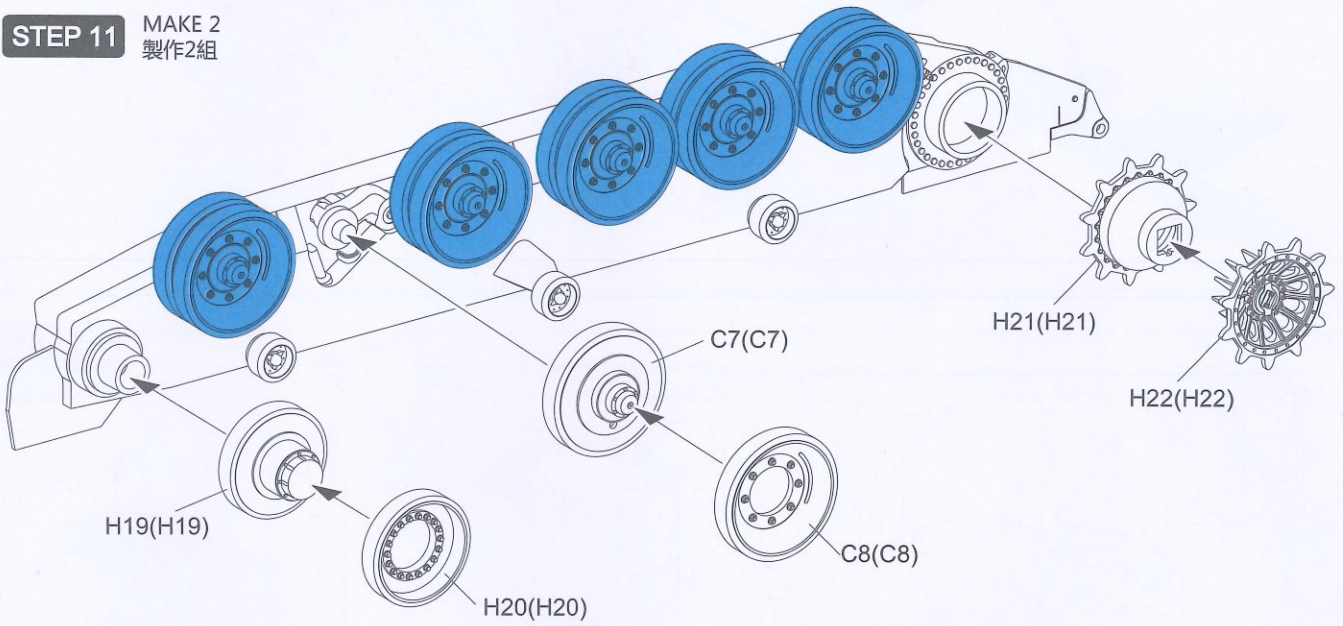
STEP 9



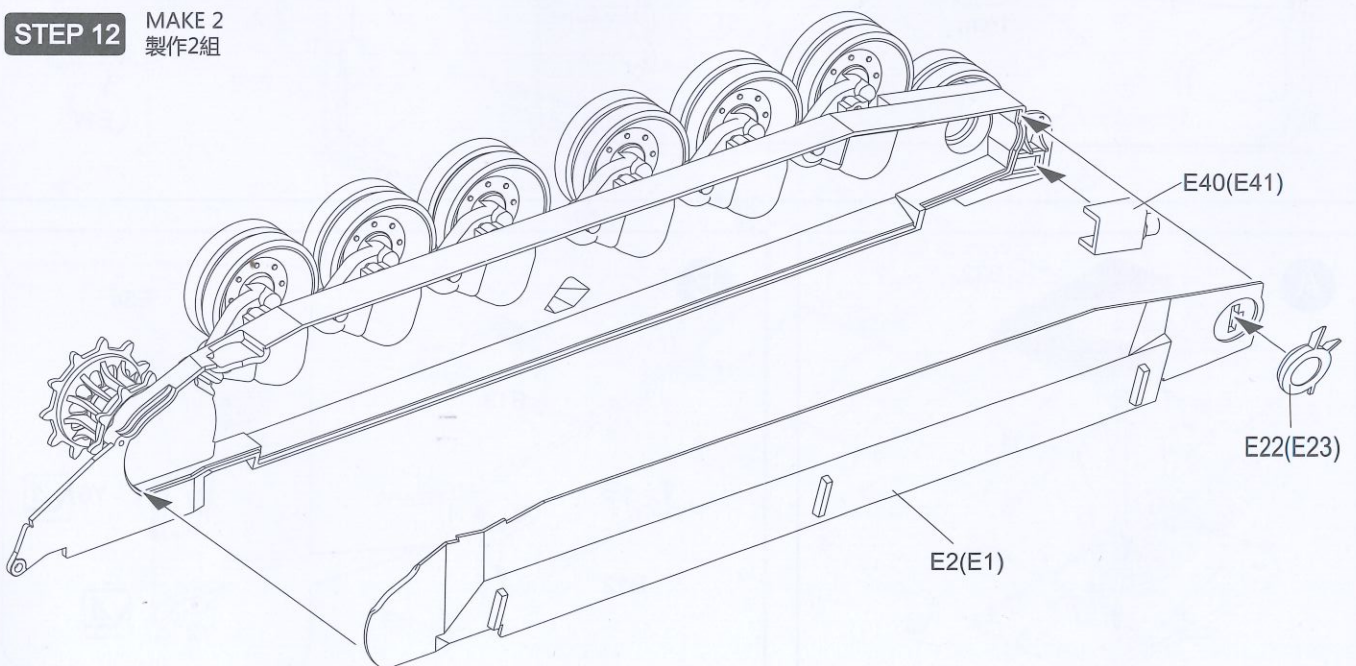
STEP 10 MAKE 2
製作2組



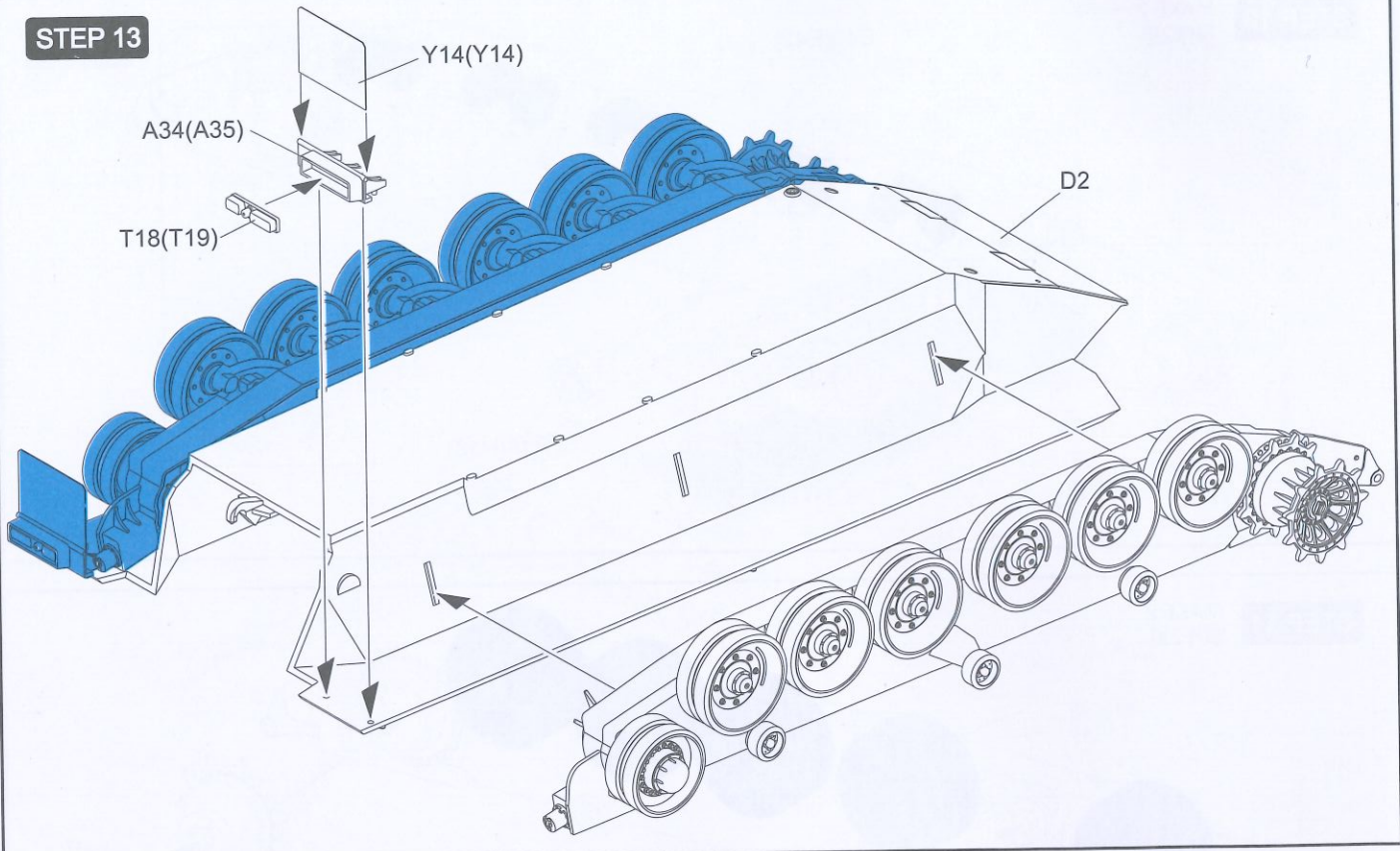
STEP 11 MAKE 2
製作2組



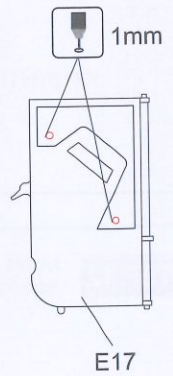
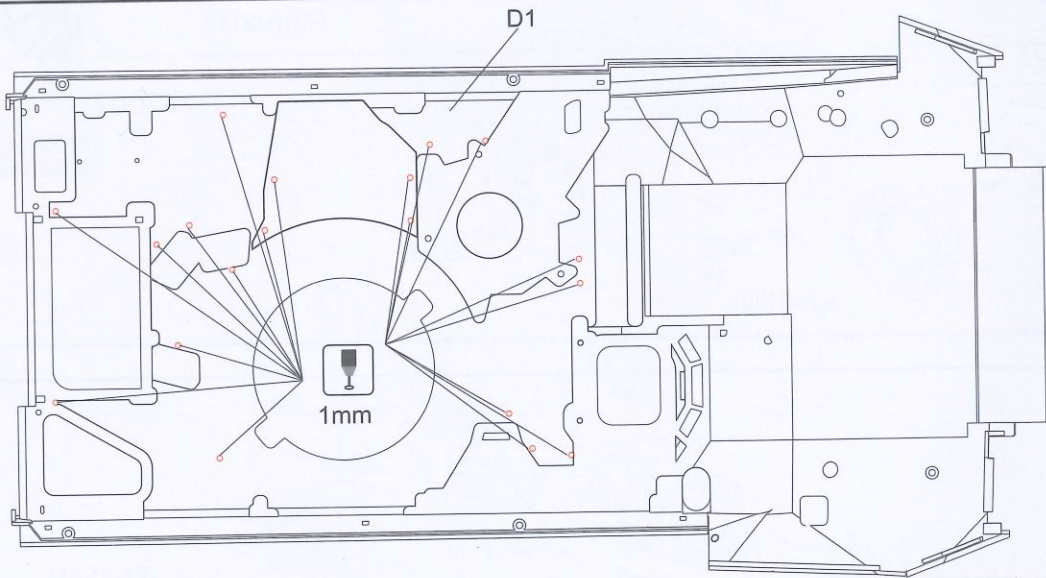
STEP 12 MAKE 2
製作2組



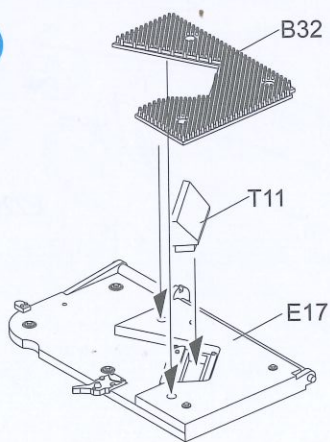
STEP 13



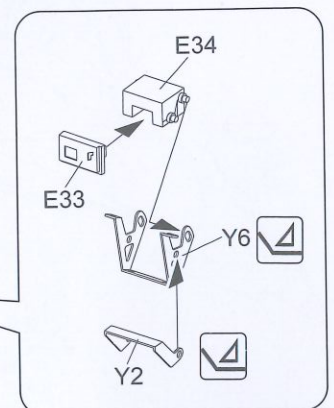
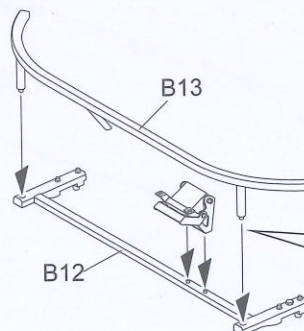
STEP 14



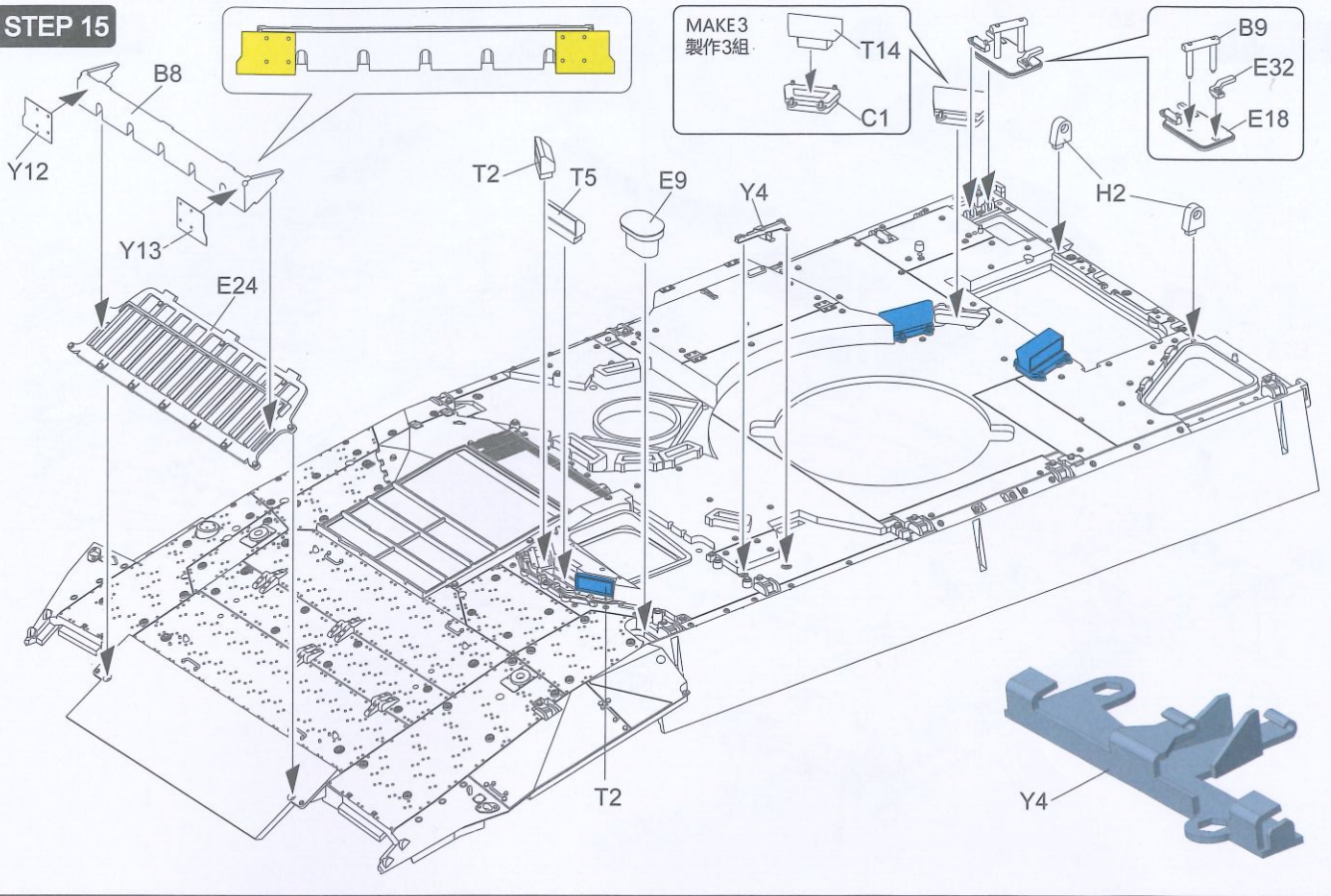
A



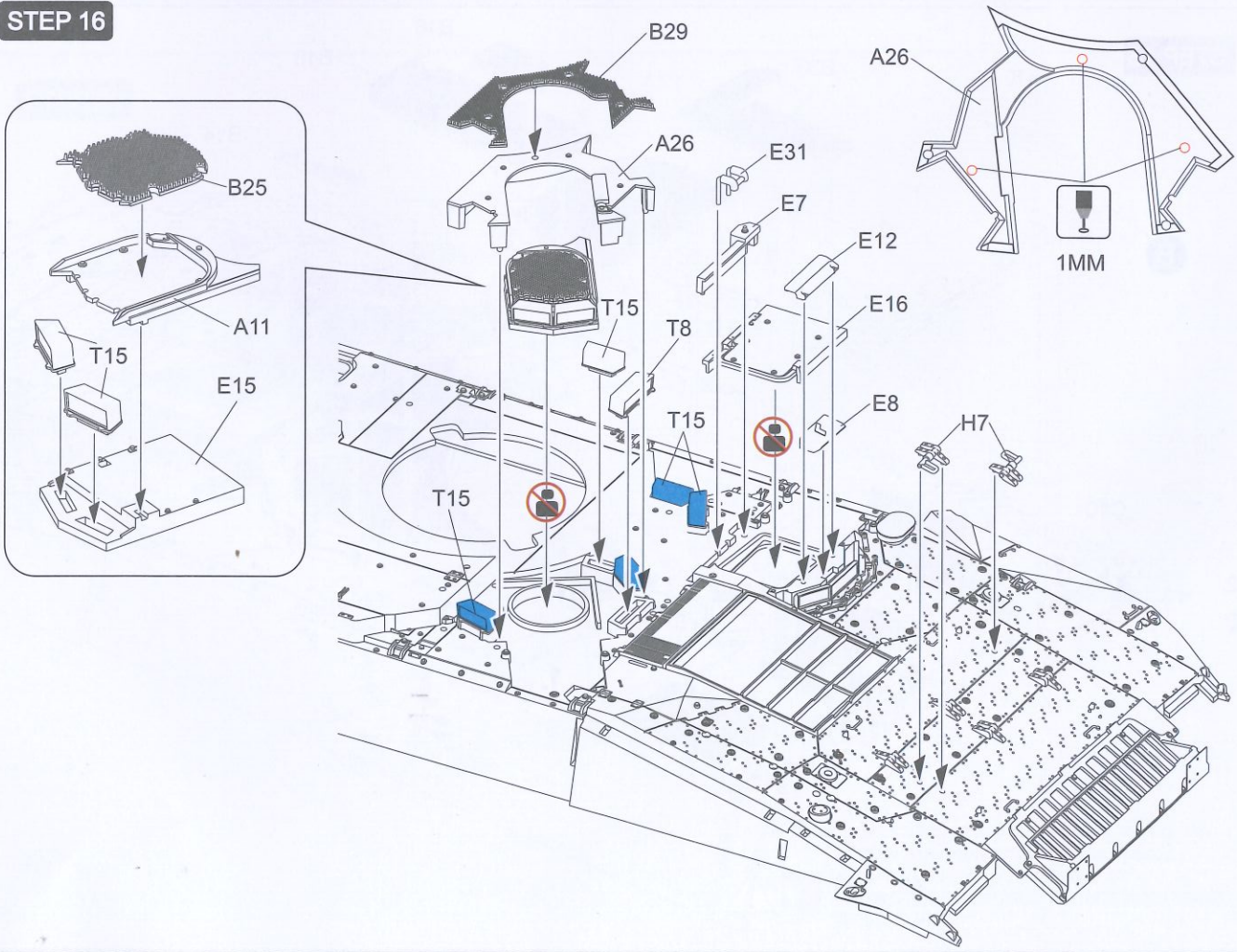
B



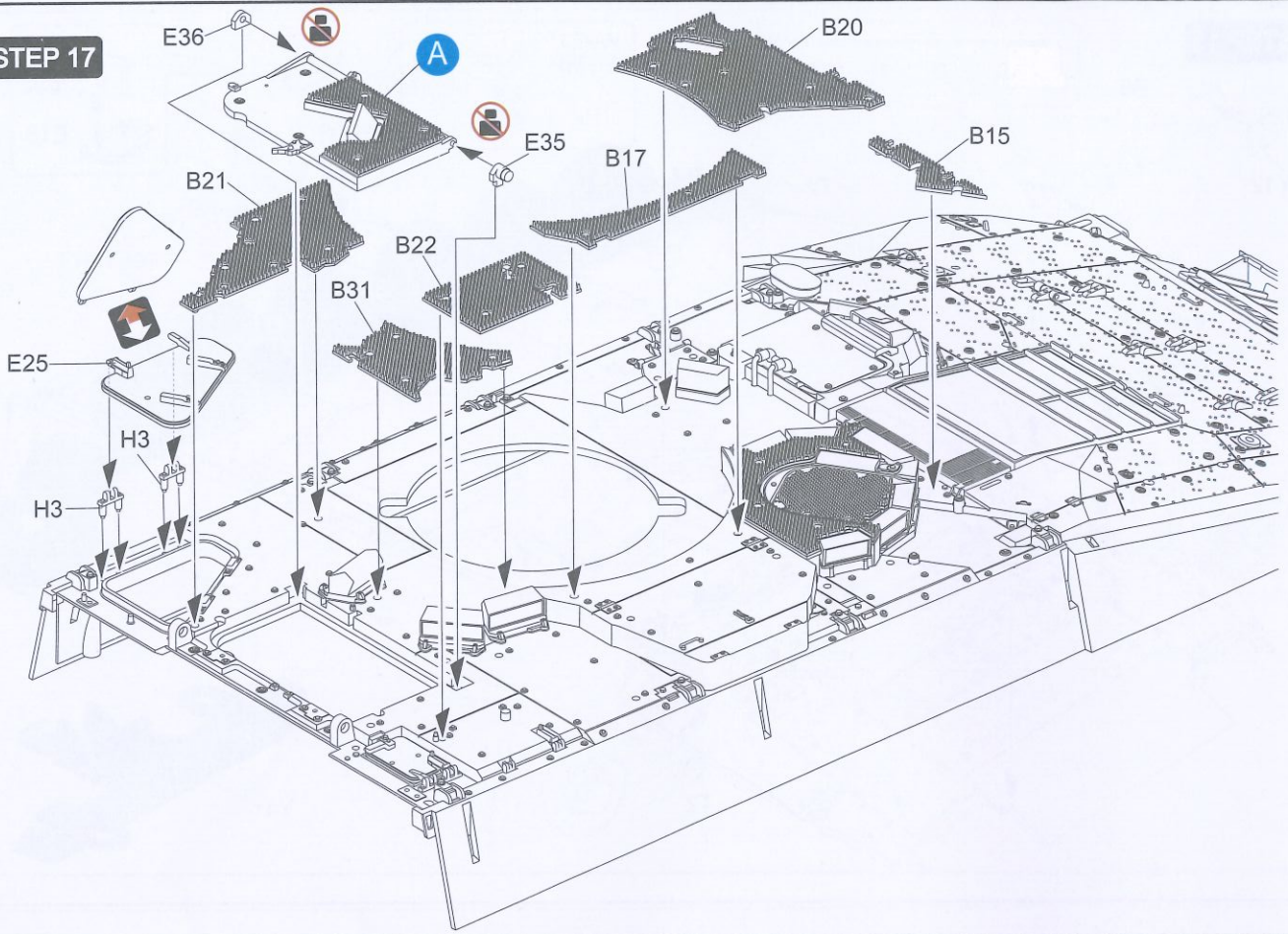
STEP 15



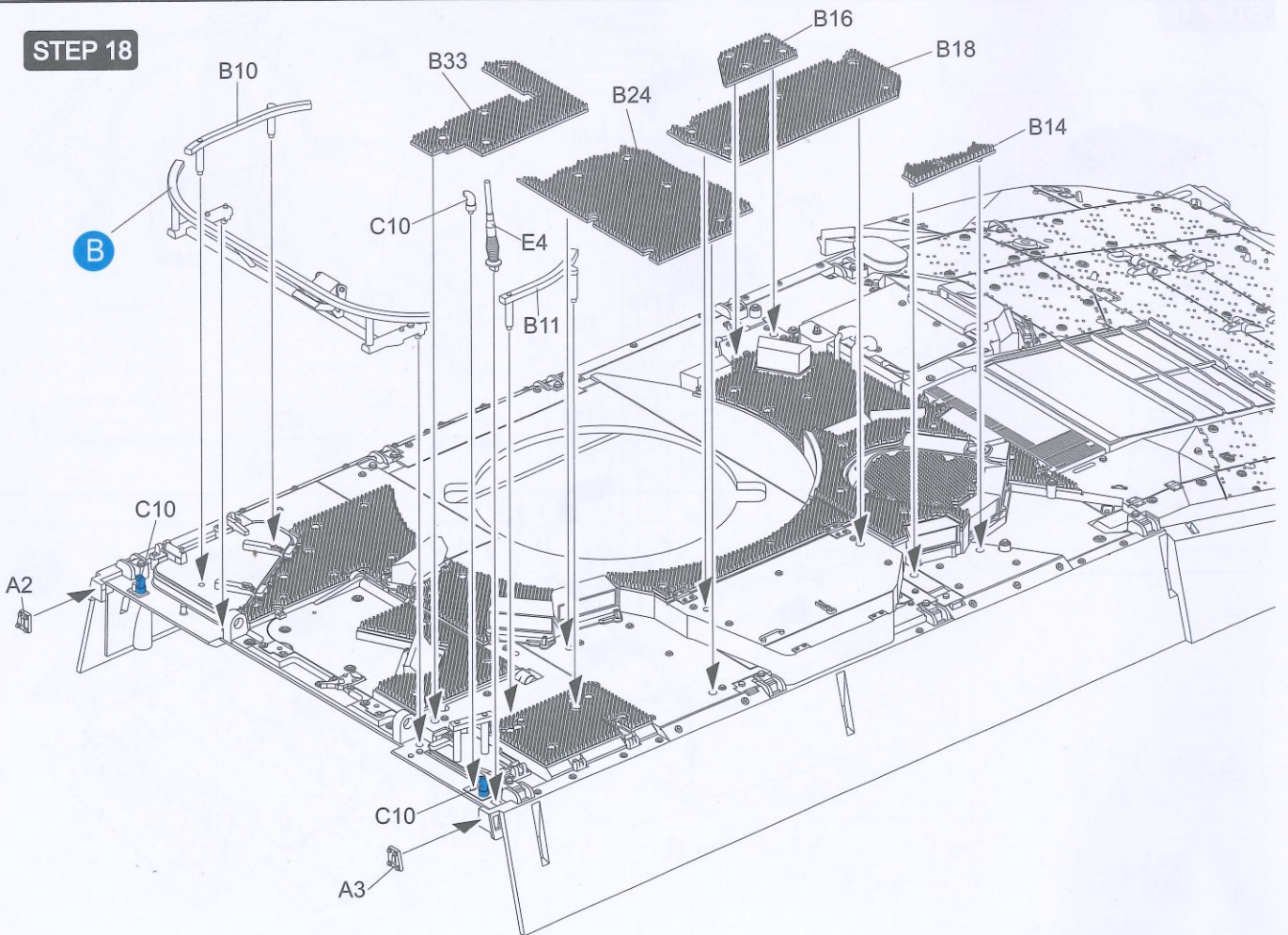
STEP 16



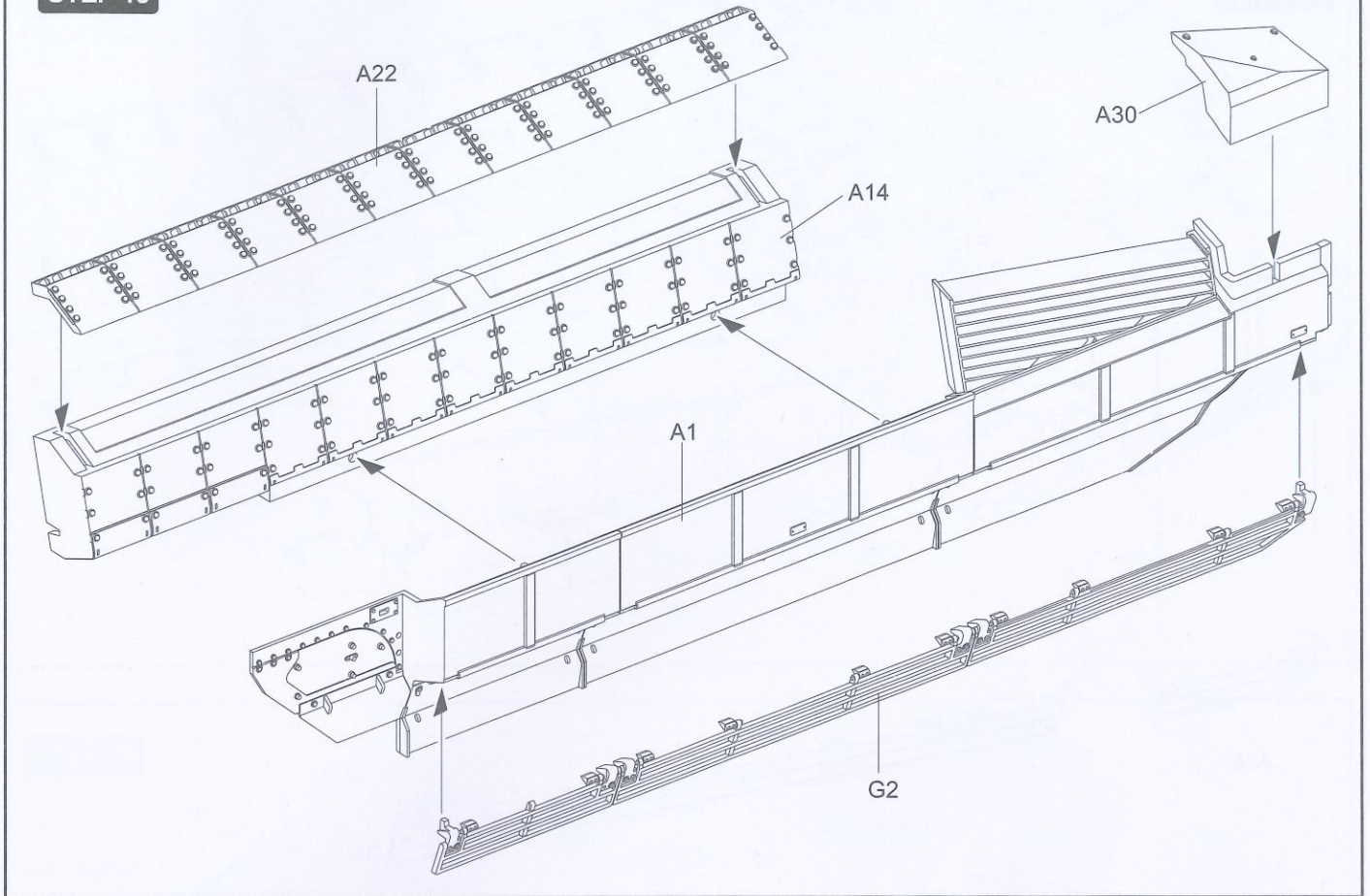
STEP 17



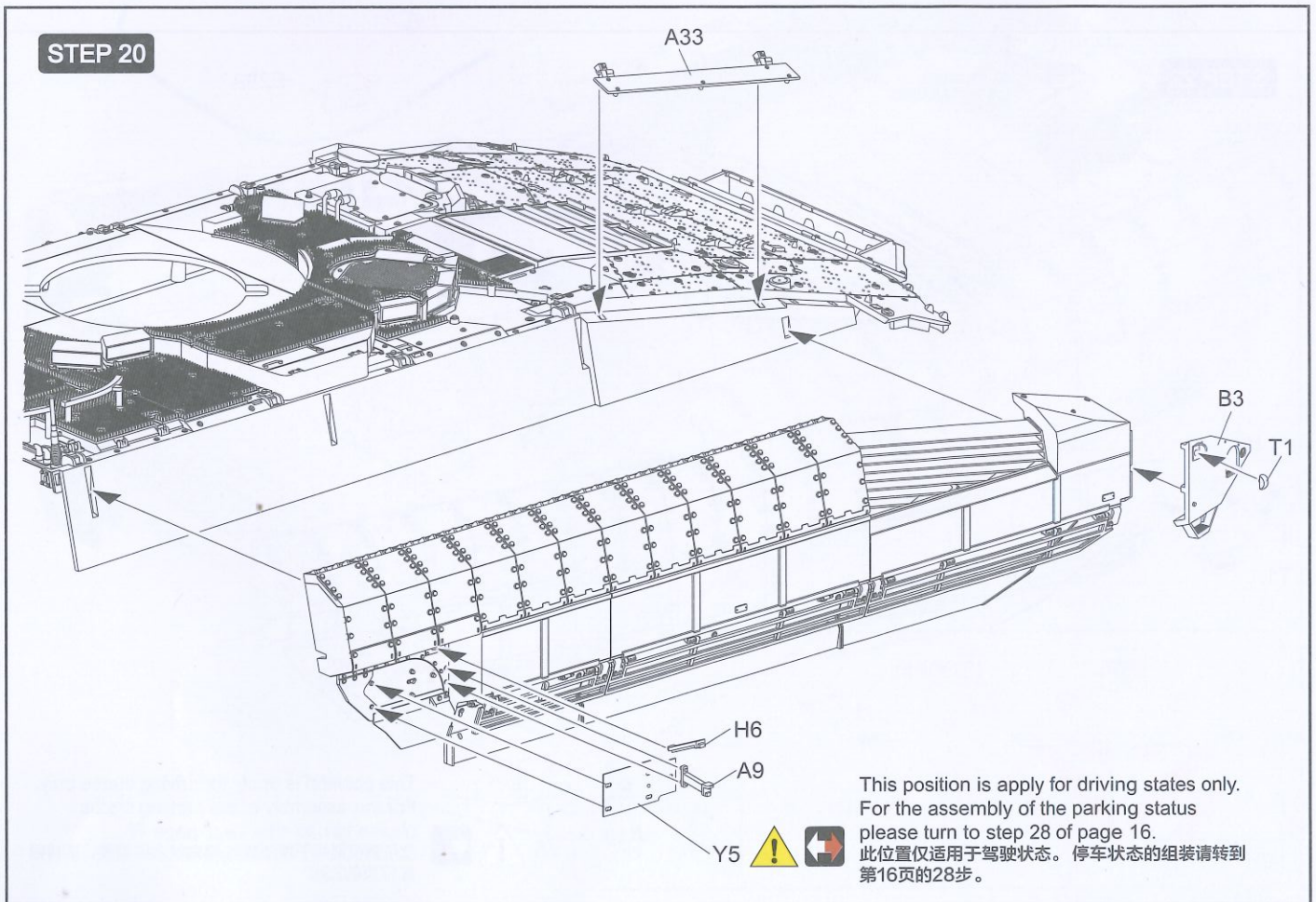
STEP 18



STEP 19

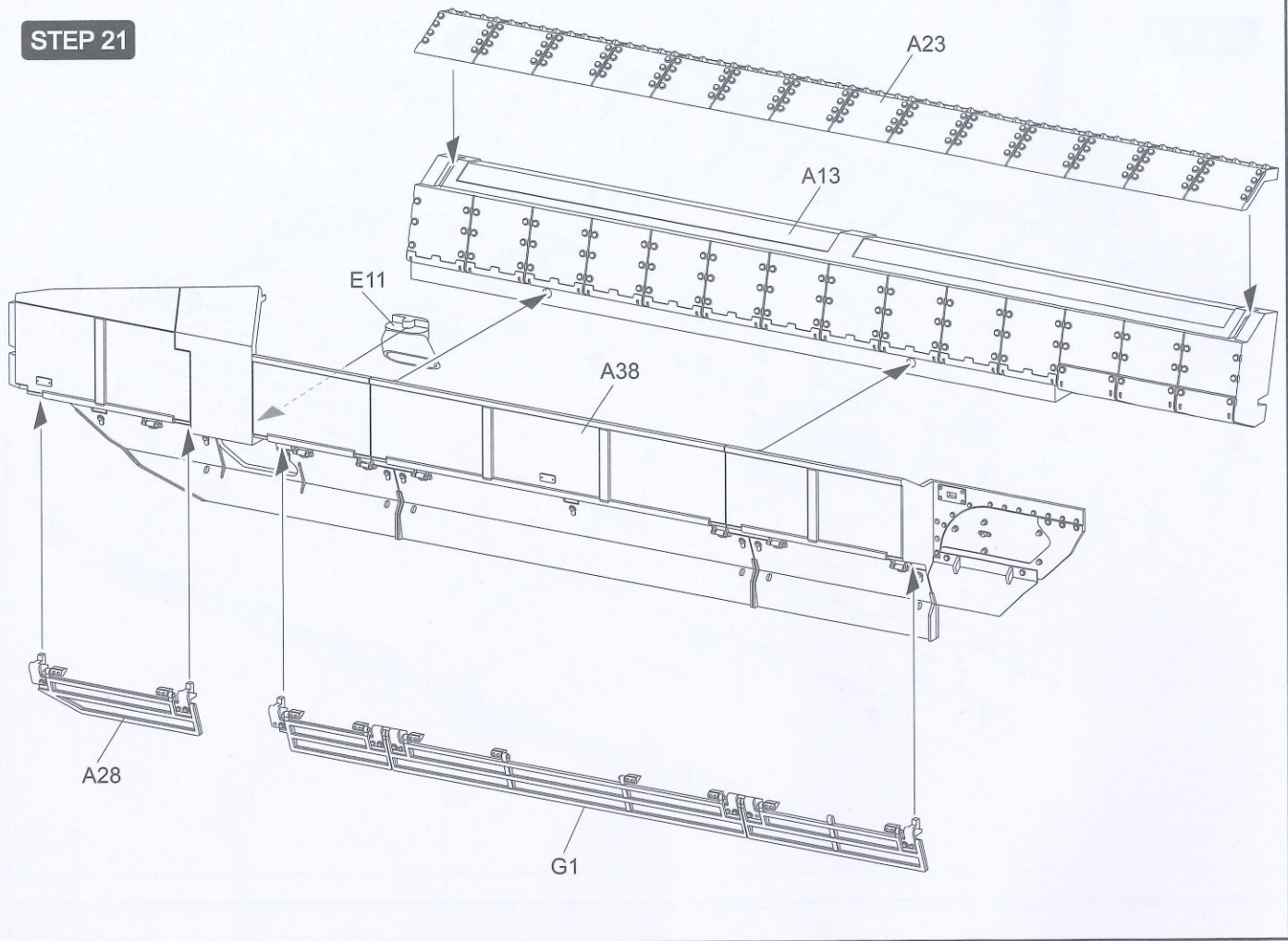


STEP 20

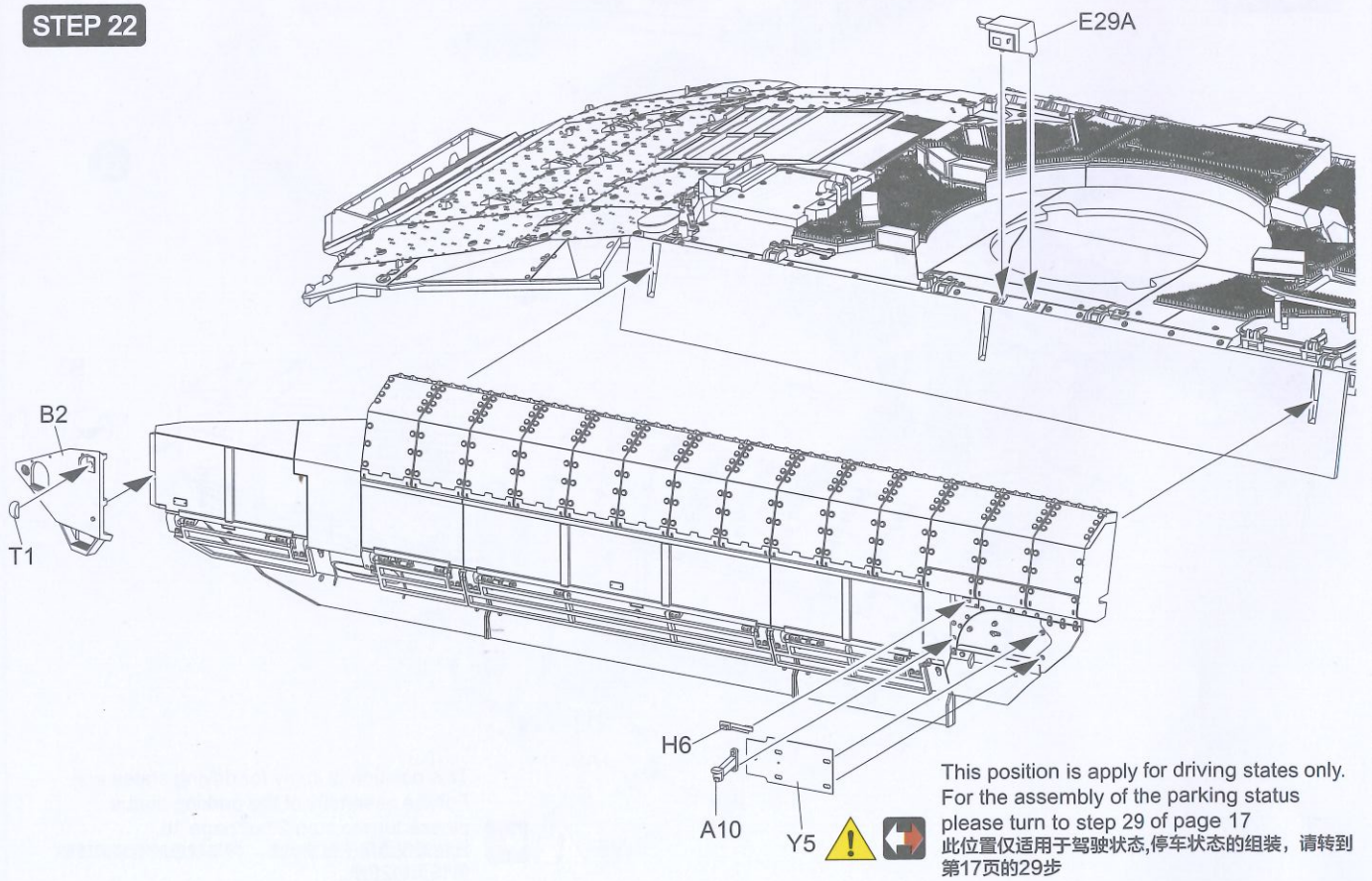


This position is apply for driving states only.
 For the assembly of the parking status
 please turn to step 28 of page 16.
 此位置仅适用于驾驶状态。停车状态的
 组装请转到第16页的28步。

STEP 21

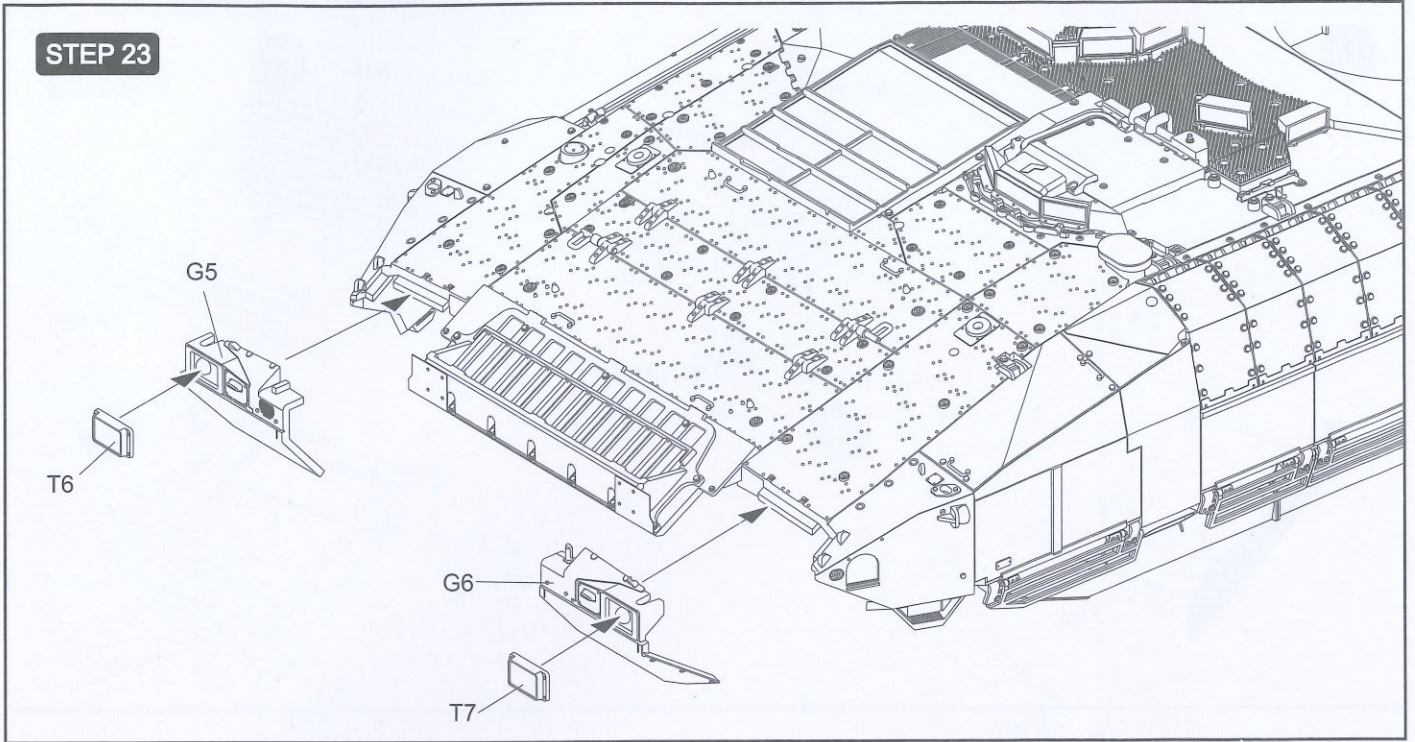


STEP 22

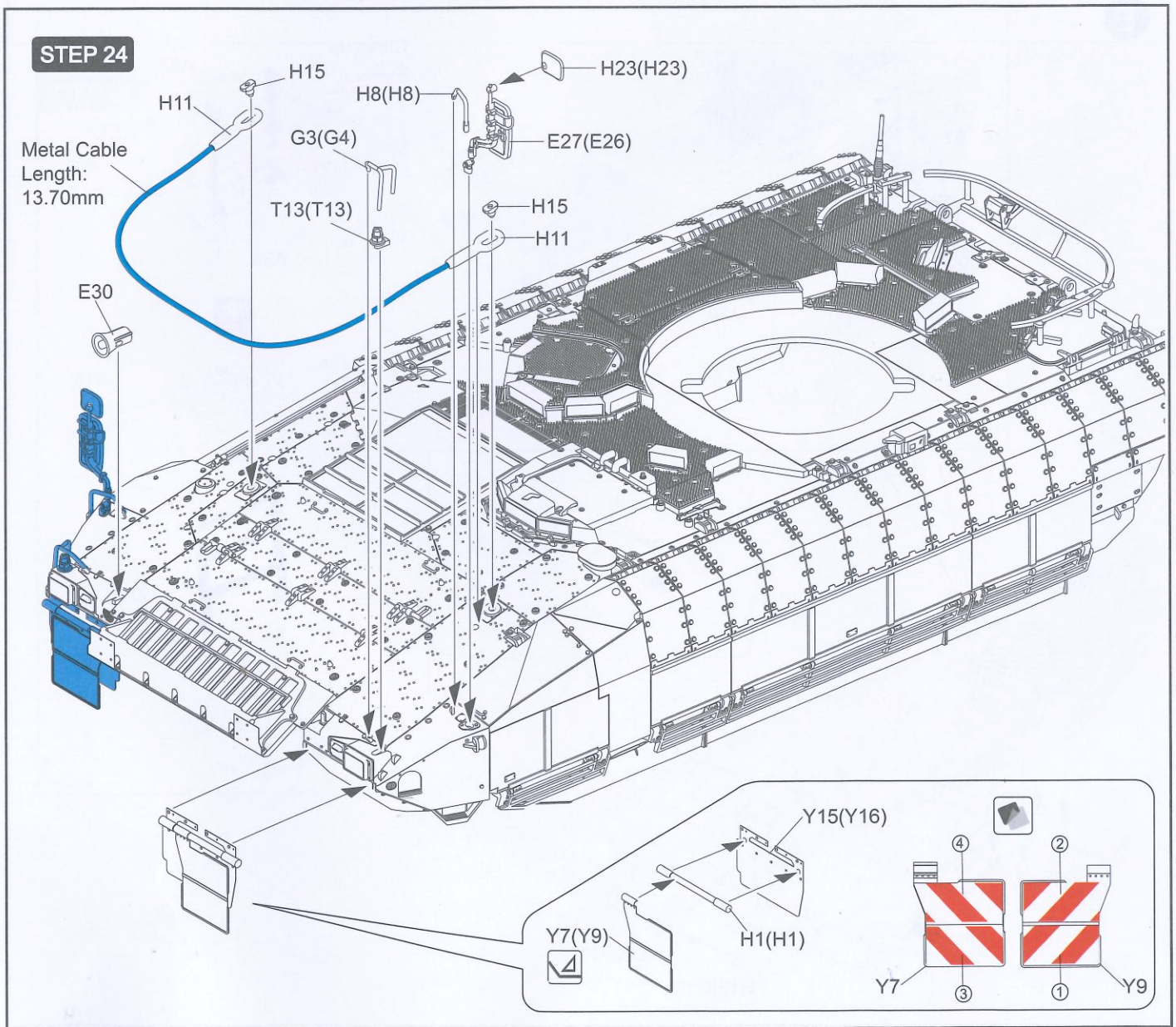


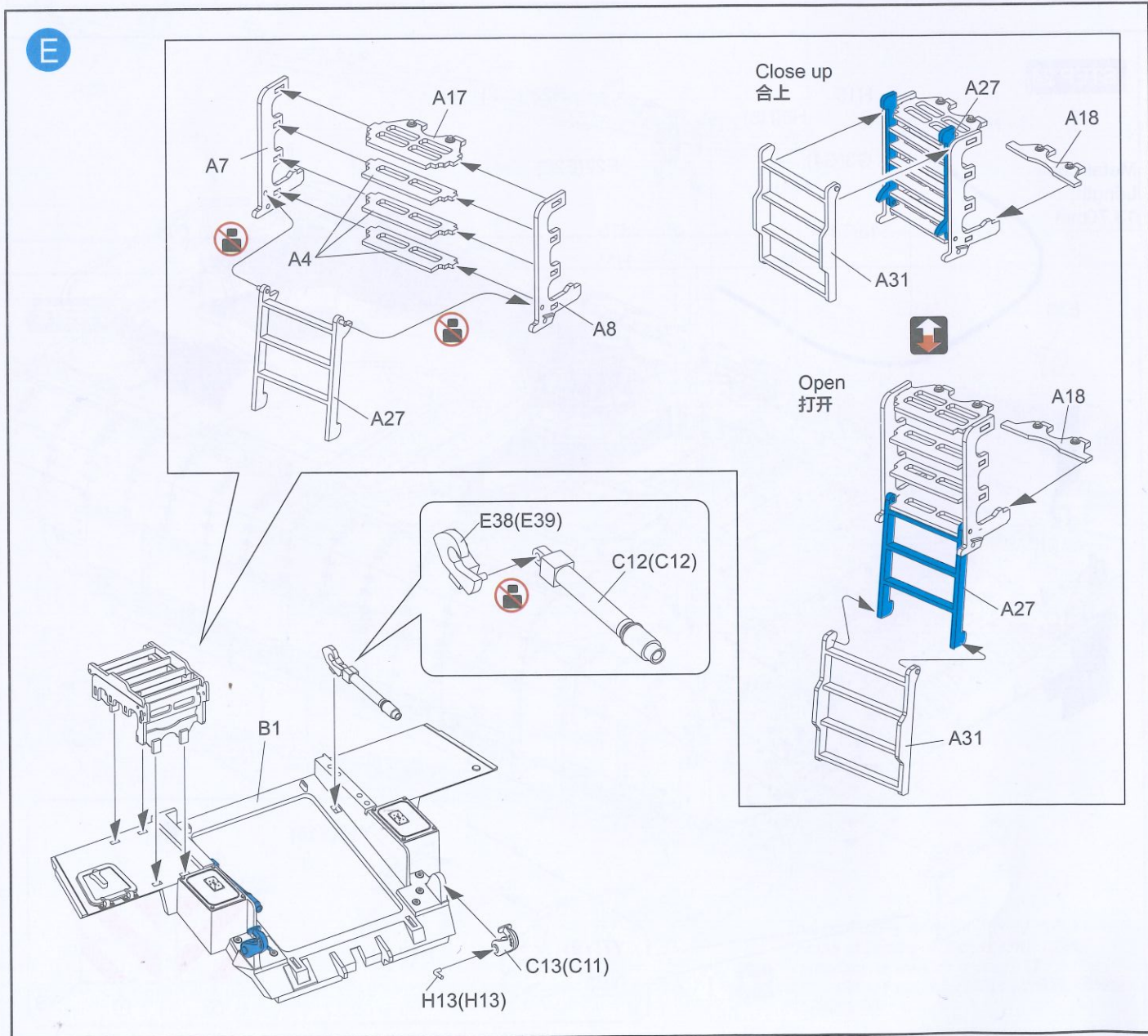
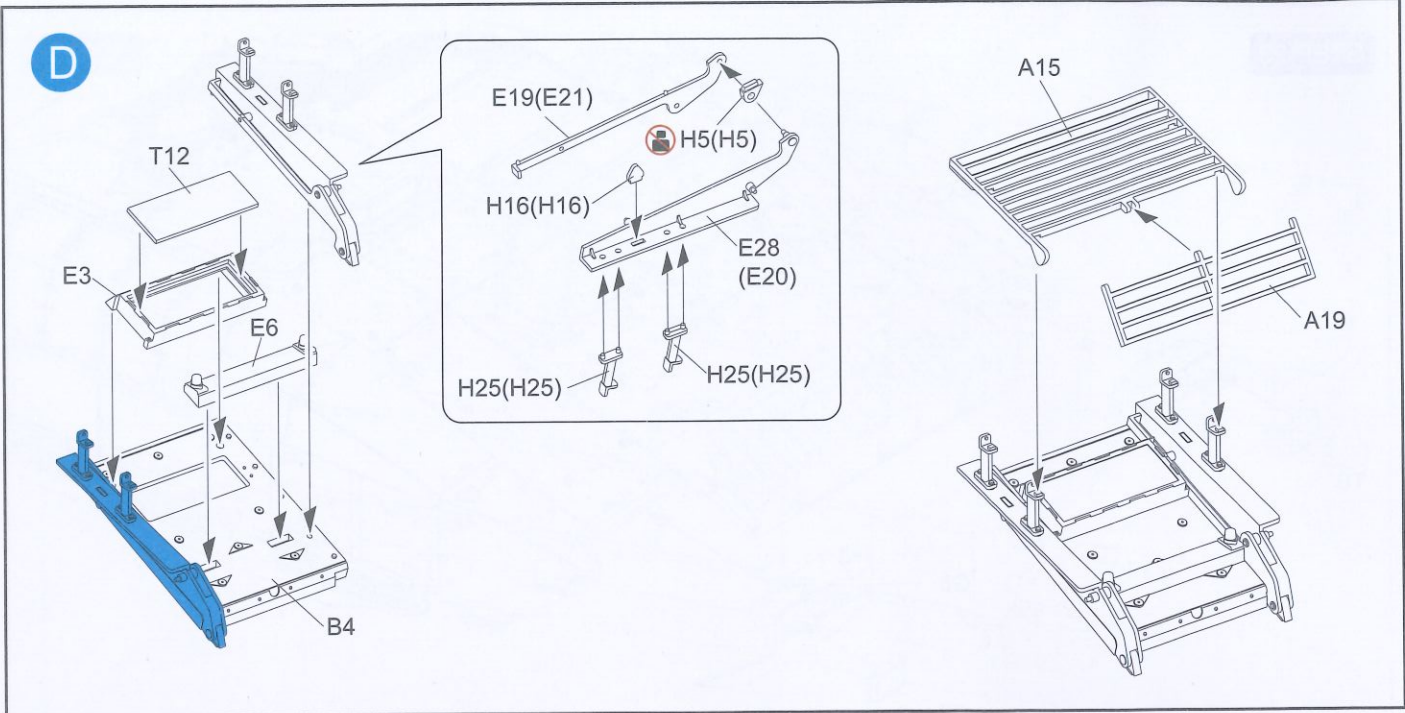
This position is apply for driving states only.
 For the assembly of the parking status
 please turn to step 29 of page 17
 此位置仅适用于驾驶状态, 停车状态的组装, 请转到
 第17页的29步

STEP 23

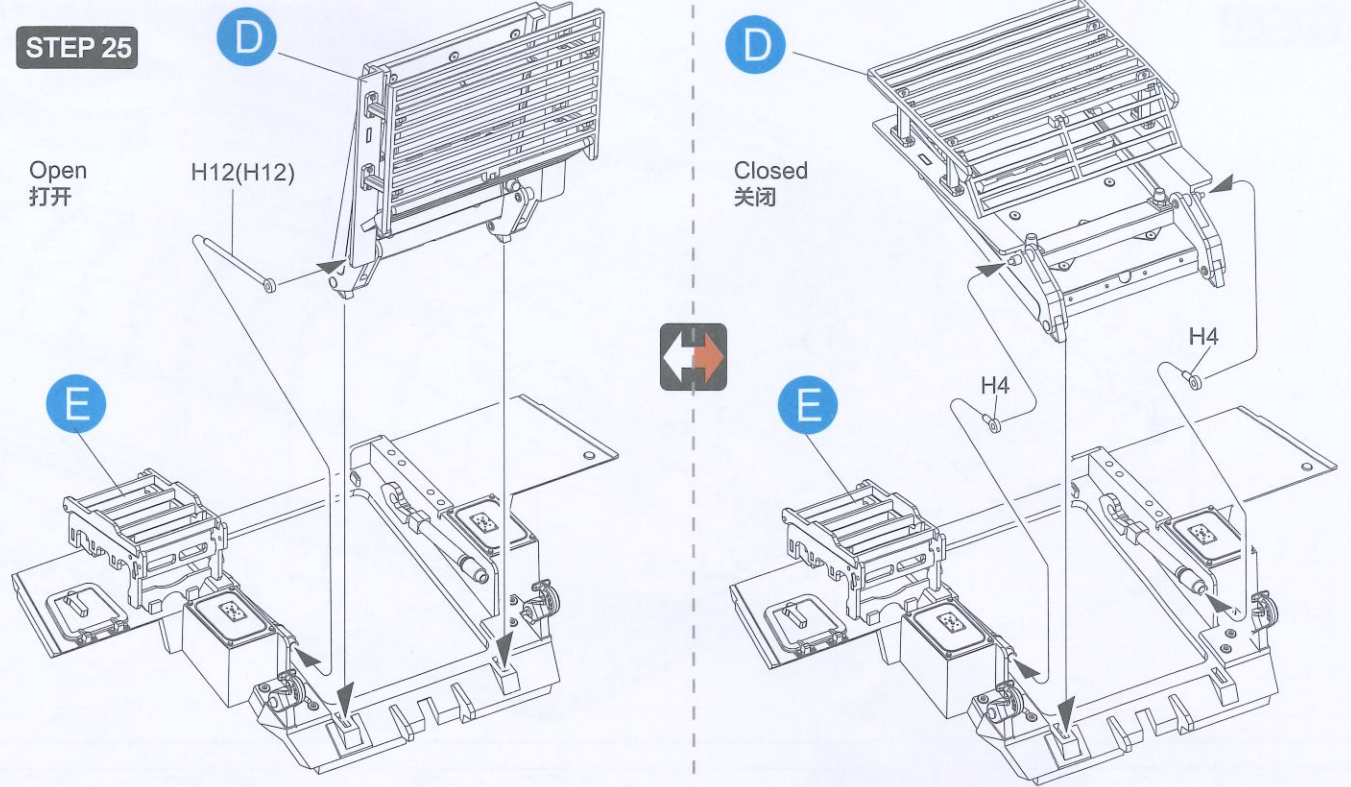


STEP 24

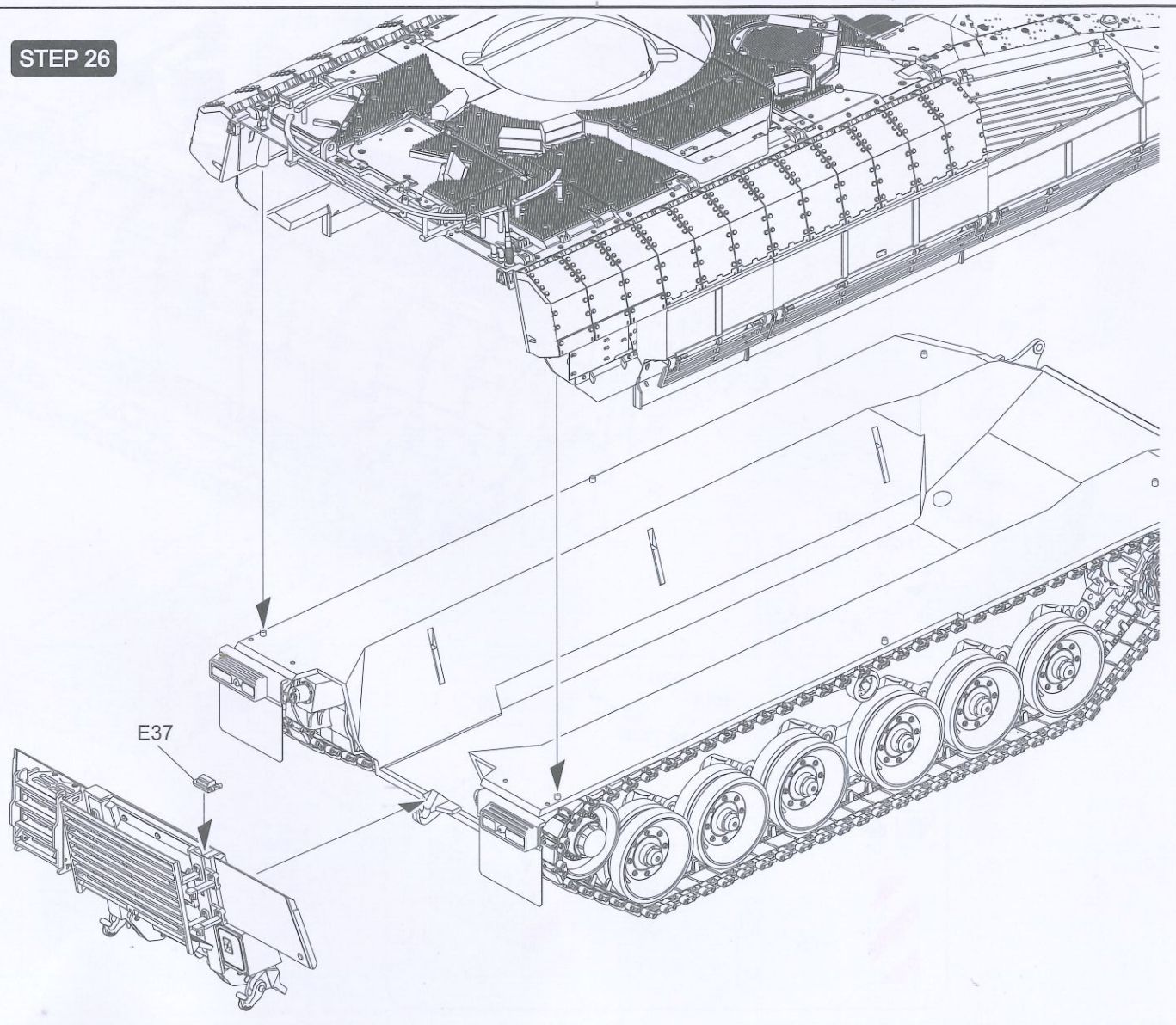




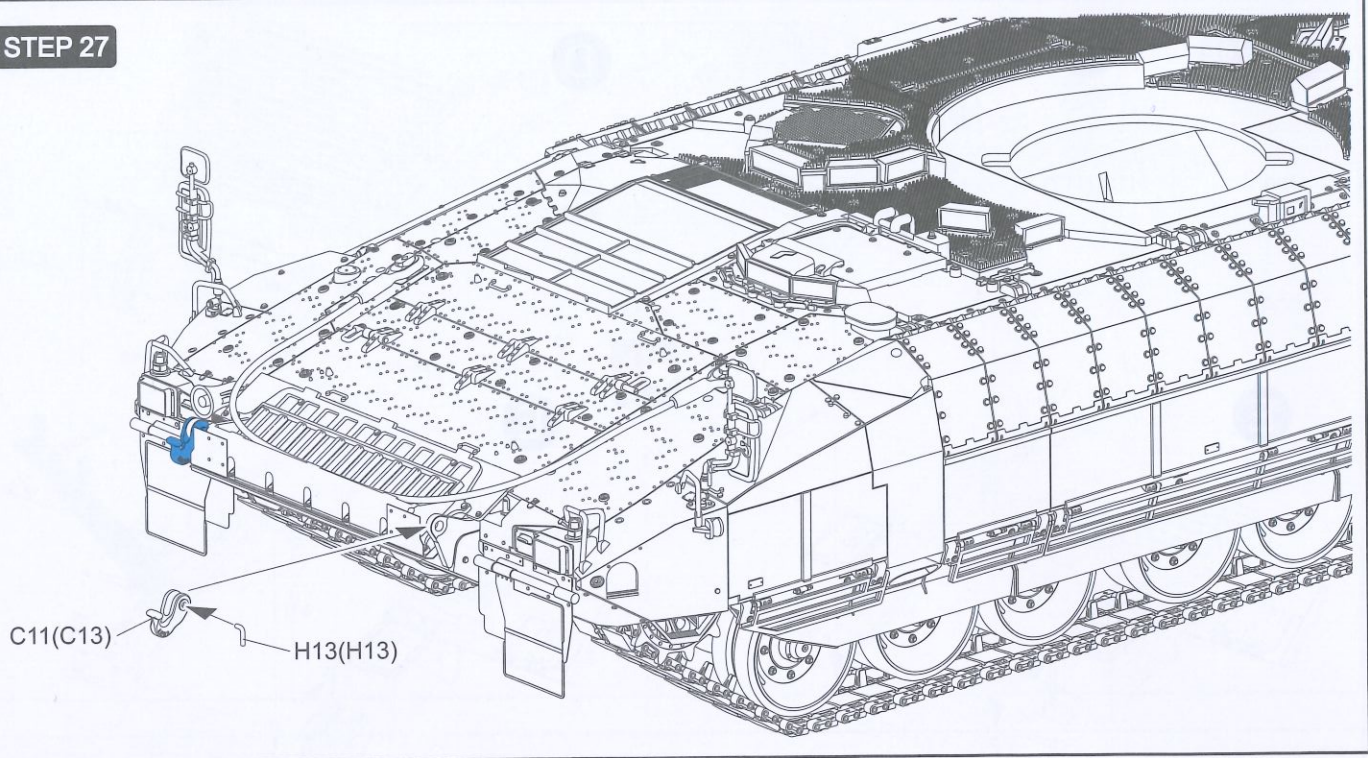
STEP 25



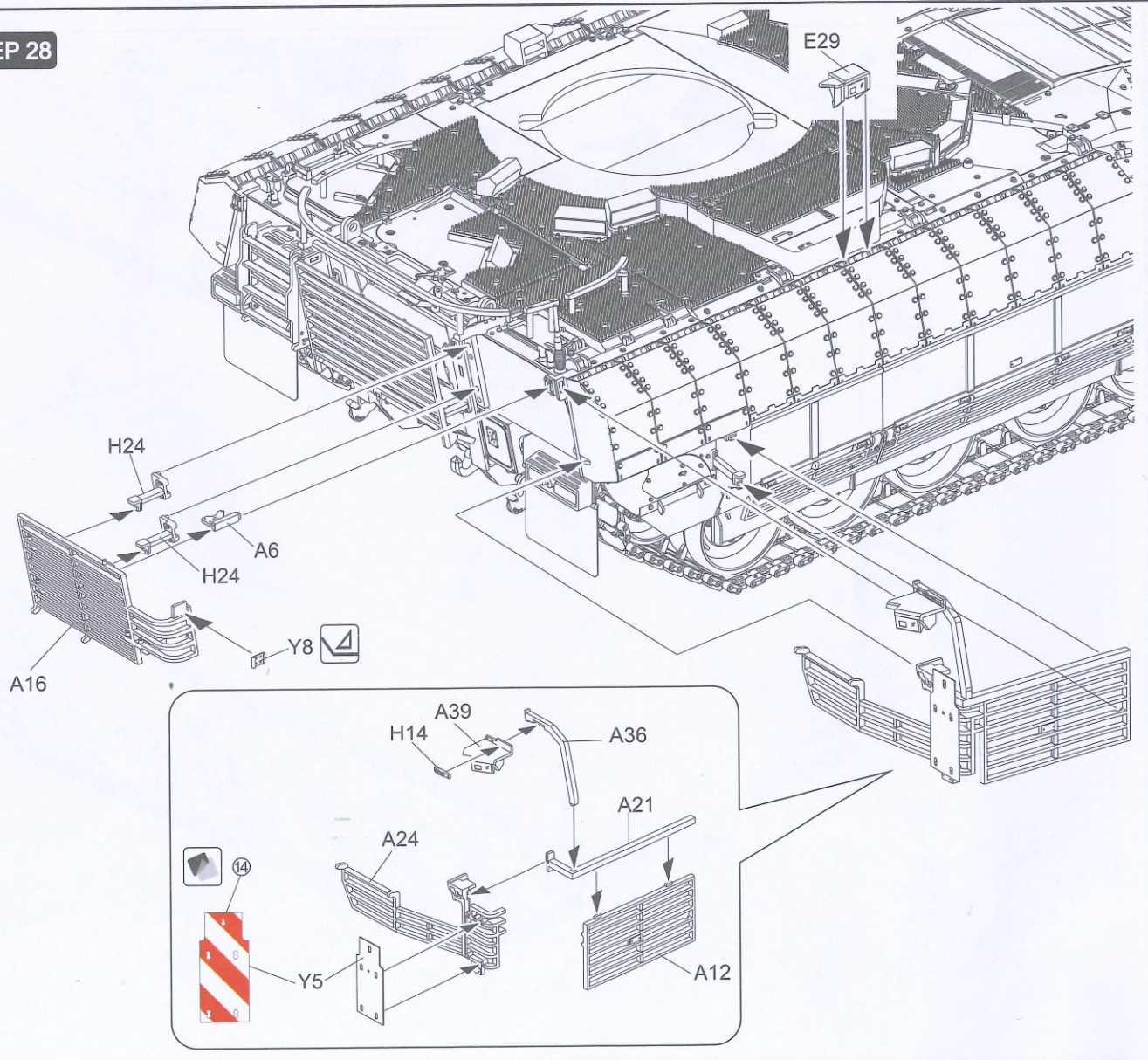
STEP 26



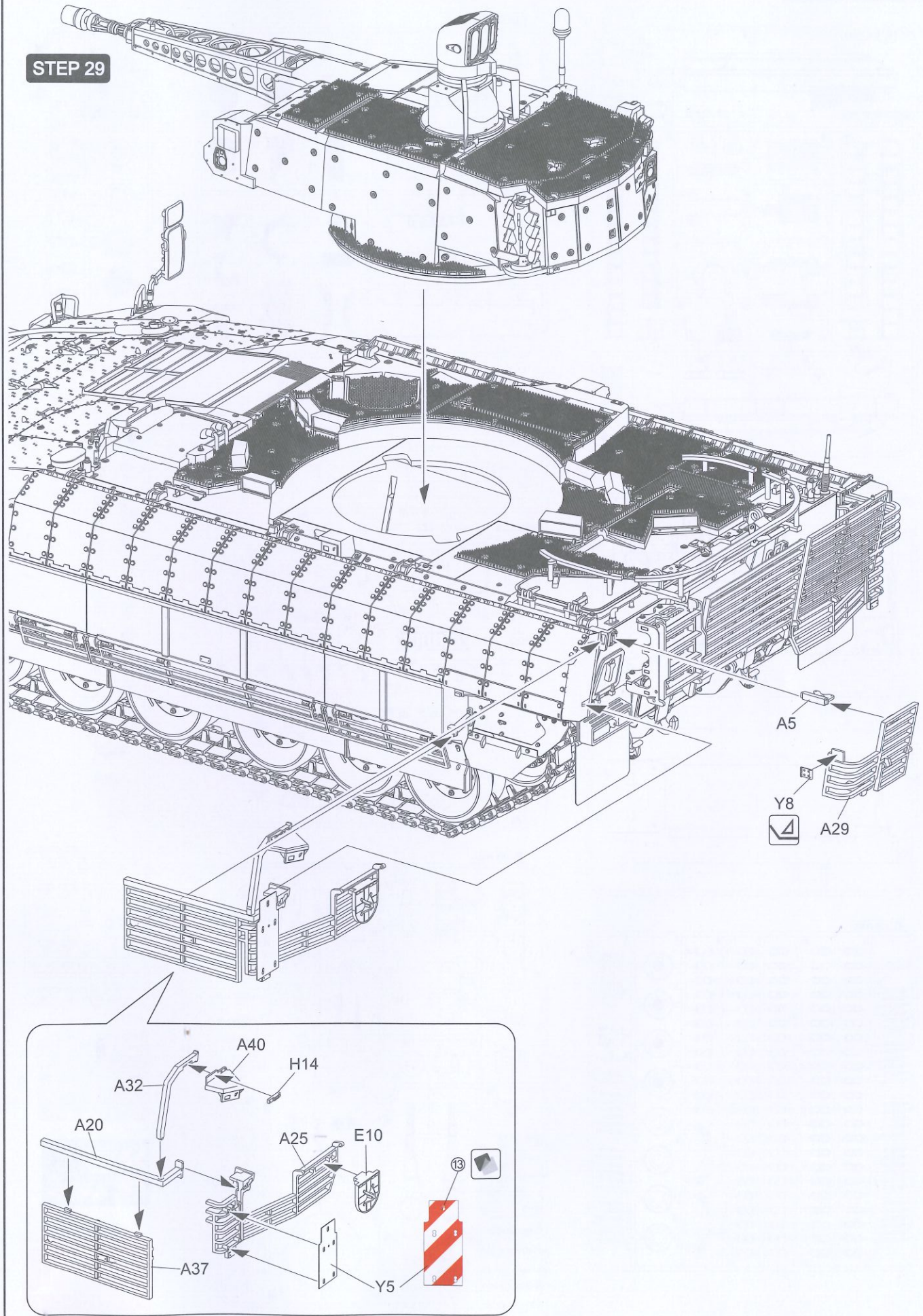
STEP 27



STEP 28



STEP 29



PARTS 部品图

