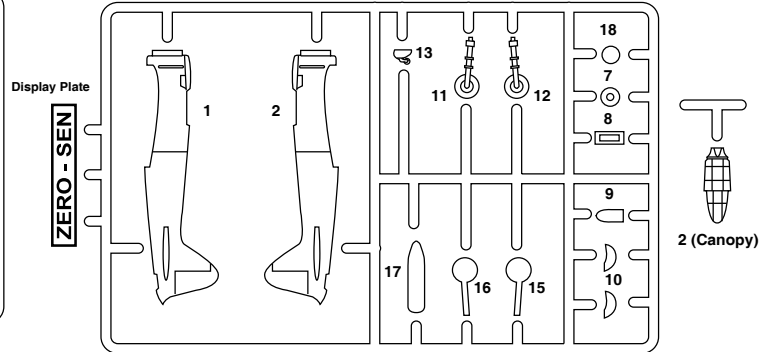
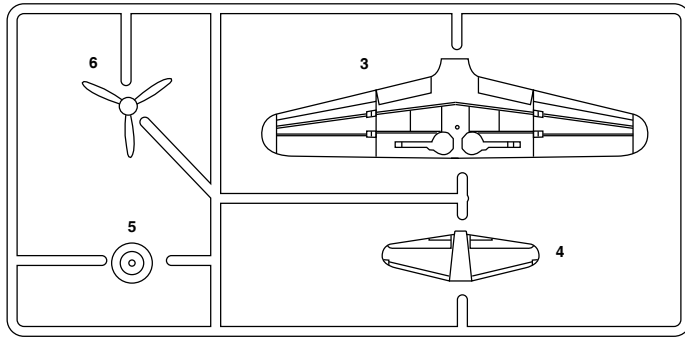
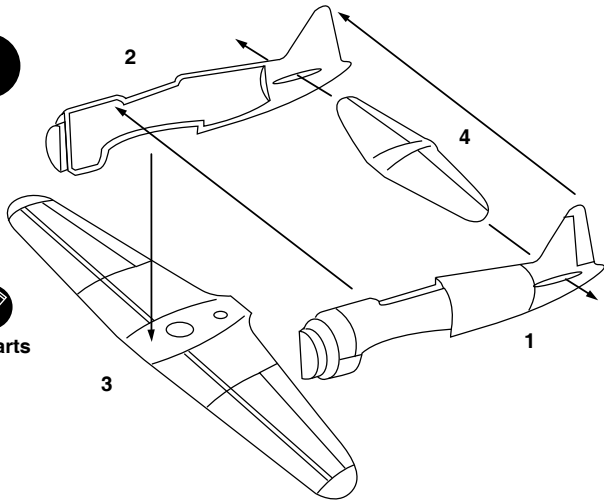


Your MINICRAFT A6M2 may be assembled with various options, such as 'In-flight' features as retracted landing gear and 'spinning' propellers. Parts are also provided for a 'stationary' or 'ground' version with extended landing gear. Please review the assembly steps to become familiar with the parts before beginning assembly.

PARTS LAYOUT DIAGRAM



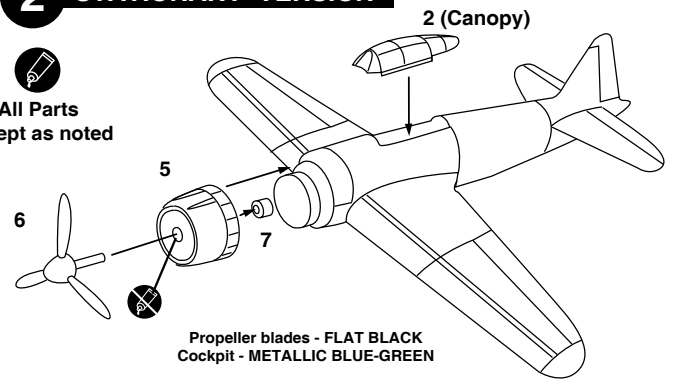
1



2 STATIONARY VERSION

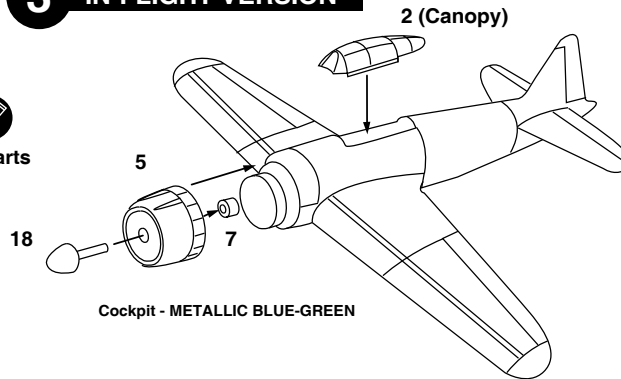


All Parts except as noted



Propeller blades - FLAT BLACK
 Cockpit - METALLIC BLUE-GREEN

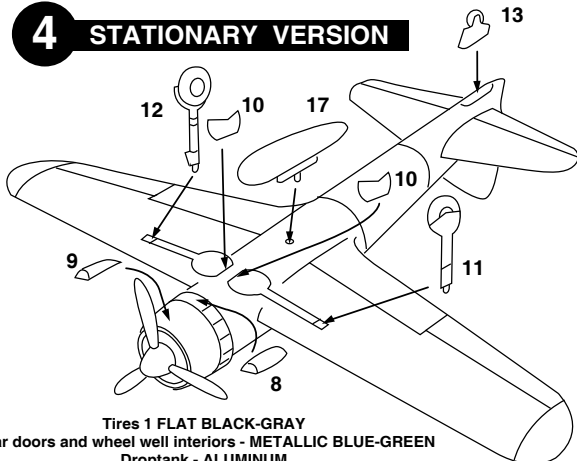
3 IN-FLIGHT VERSION



Cockpit - METALLIC BLUE-GREEN

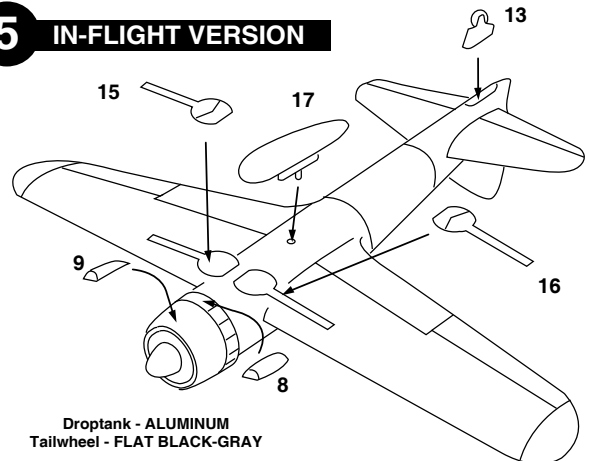
4 STATIONARY VERSION

Tires 1 FLAT BLACK-GRAY
 Gear doors and wheel well interiors - METALLIC BLUE-GREEN
 Droptank - ALUMINUM

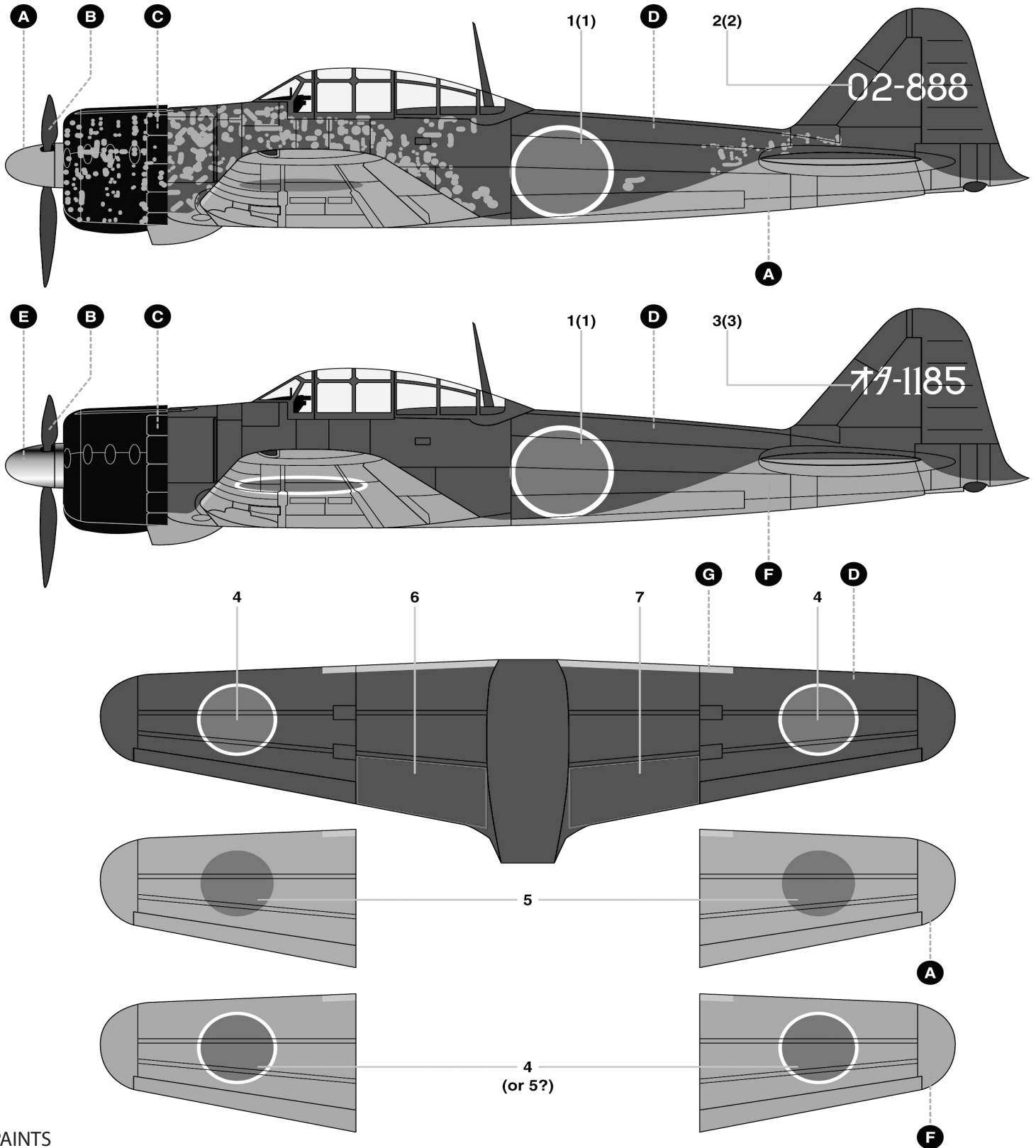


5 IN-FLIGHT VERSION

Droptank - ALUMINUM
 Tailwheel - FLAT BLACK-GRAY



A6M2, 201 Kokutai, Oct 1944 & A6M2, Kokutai Ohita, 1944



PAINTS

- A Japanese Gray-Green FS34201 (ModelMaster 1792, Acryl 4247)
- B Red-Brown (ModelMaster 1701, Acryl 4707)
- C Black (ModelMaster 2079, Acryl 4779)
- D Japanese Navy Black Green (ModelMaster 2116, Acryl 4780)
- E Aluminum (ModelMaster 1781, Acryl 4677)
- F Orange (ModelMaster 2022, Acryl 4682)
- G Yellow (ModelMaster 2118, Acryl 4721)

Your Minicraft model includes high-quality waterside decals. These decals adhere best to a glossy surface; and it is recommended that you apply a clear gloss coat over your painted model.

Use a sharp scissors or knife to cut individual decals from the carrier sheet. Do not cut into the clear film surrounding the individual decals.

* It is recommended that you apply one decal at a time.

* Place the decal section in warm water, when first inserted in the water your decal will curl, after approximately ten seconds the decal will uncurl. Remove from water and lay on a paper towel. After approximately 10 - 20 seconds the decal will slide freely from the backing paper. Use a small brush to help slide the decal from the backing paper and into position on the model. Carefully blot excess water from the decal, using care not to move the decal or tear it.

* If you choose to use a setting solution, apply a thin coat over the decal following the manufacturer's instruction.

* Allow the decal to dry overnight. Wash any adhesive residue off the model with a small amount of clean water and dry thoroughly.

* Apply clear gloss, matte or flat coat to seal decals following the instructions from the manufacturer.



Visit our Website-
www.minicraftmodels.com

Minicraft Models (US) LLC
1501 Commerce Drive
Elgin, IL 60123
Phone: 847-429-9676