



# A-1A Ground Attack Aircraft

ブラジル空軍 A-1A 攻撃機 A-1A 攻击机

## PLEASE READ BEFORE OPERATION!

- \* Tools recommended as below: (Not included)  
Adhesives; Paints; Side Cutters; Sharp Edged Pliers; Modeling Knife; Modeling File; Nippers; Drill; Scissors; Sand Paper; Soft Cloth; Cyanoacrylate Glue.
- \* Make sure to read this instruction listed below before assembling.
- \* The kit contains the small parts, they can be dangerous if swallowed by mistake, so keep them away from reach of children.
- \* Cut the all parts off carefully and remove the waste parts into the garbage can.
- \* More caution and care should be needed for cutting and handling the photo etched parts.
- \* Make attention that some parts should be attached the decal when assembled.
- \* During assembling, please tear up and throw away the plastic bags, or may cause the dangerous if wearing over head by children's mistake.
- \* When using the adhesives and paints, please do not use them in the closed room or near the fire, also must be very careful to protect your eyes, face and clothes.
- \* Adult supervised when assembled by children under 14 years old.

## 装配前请仔细阅读:

- \* 推荐使用的模型工具(请自备):  
专用模型胶水, 专用模型油漆, 水口剪刀, 长咀钳, 刀片, 锉刀, 镊子钳, 钻, 剪刀, 软布, 砂纸, 瞬间快干胶等。
- \* 用水口剪刀或刀片小心切下所有塑胶零件和蚀刻片零件, 不要遗失小零件。
- \* 切取蚀刻片时应特别注意防止利边划伤手指。
- \* 用模型锉刀小心锉平所有零件表面的注射浇口。
- \* 用适量的强力快干胶水粘合蚀刻片零件和金属轴, 切忌过量, 否则可能导致可动零件被粘住。
- \* 注意某些零件表面需在装配时同步贴水上贴纸。
- \* 制作时应远离幼儿并将包装袋及时收妥, 谨防小孩玩耍而引起意外。



cyanoacrylate glue  
强力胶



weight  
配重



make hole  
钻孔



cut / remove  
切除



option  
选择



no cement  
不涂胶水



decal  
贴纸



bend  
弯曲



repair  
填补

## The method to apply the decals

1. Cut off the decal from the decal paper and put it into the warm water 40°C for 10 seconds.
2. Take the decal from the water and put it on a piece of clean cloth.
3. Remove the decal slowly from the paper to the targeted location by a wet finger.
4. Use a piece of dry and soft cloth to press it gently on the decal until it getting dry and no bubble existing.

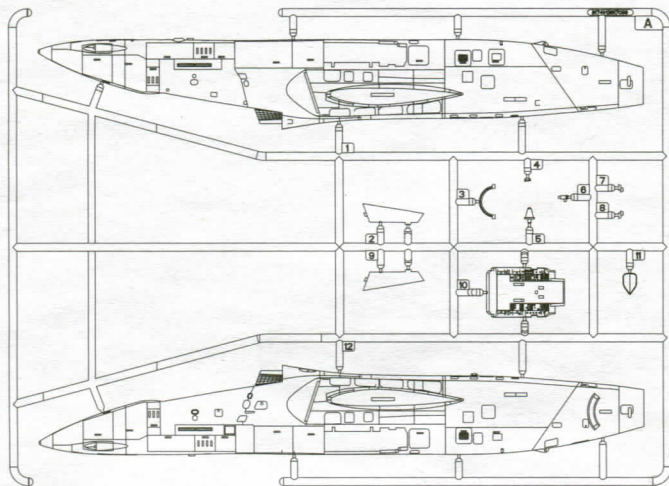
## 水贴纸的使用方法:

- 一. 把相关的印花从水贴上剪下, 放入40°C左右的温水中浸10秒。
- 二. 然后将印花放在干净的布上。
- 三. 拿上印花纸板, 手指蘸水将印花移到适当的位置。
- 四. 用软干布轻压印花直至水干, 气泡消失。

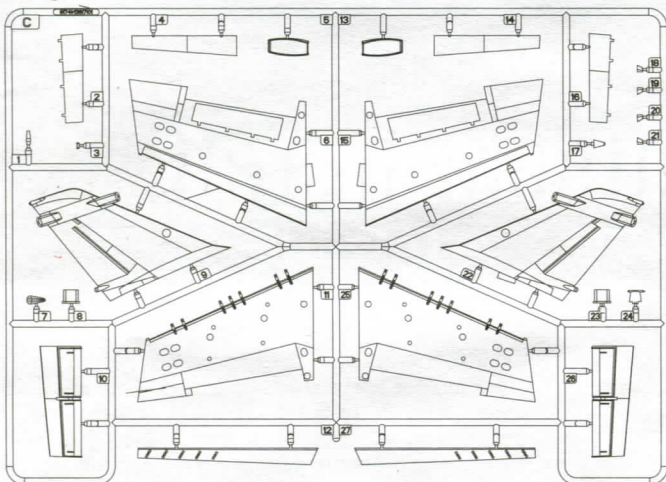
# 部品图

## Parts

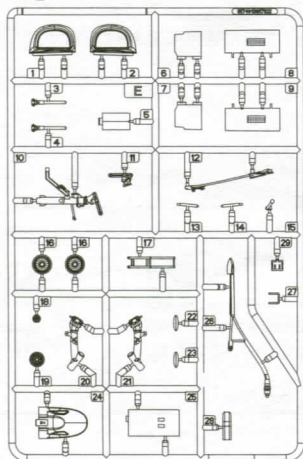
A



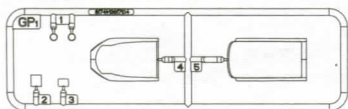
C



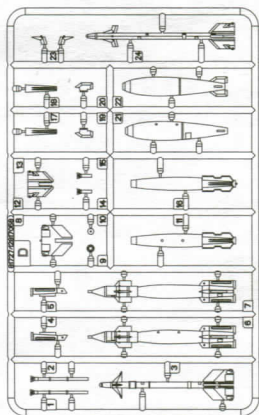
E



GPI

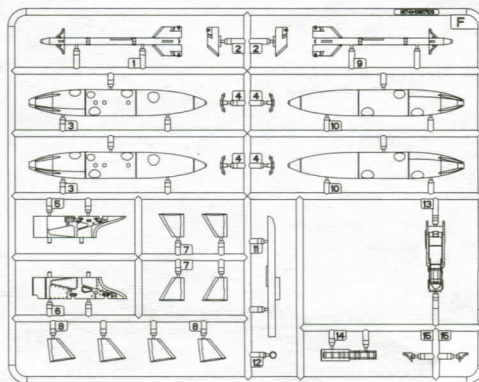


DX2

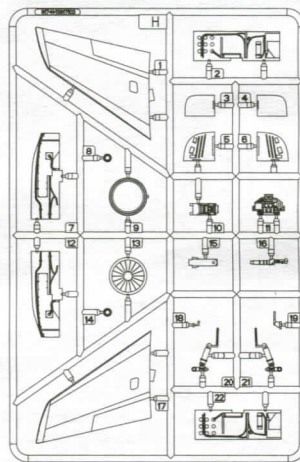


不用的部件: E18 D3 D8 D10  
Unused parts

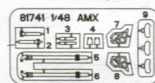
FX2



H



《蚀刻片》A  
Photo etcheH part(PE)



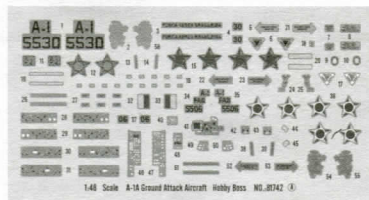
《前轮胎》  
Nose tyre



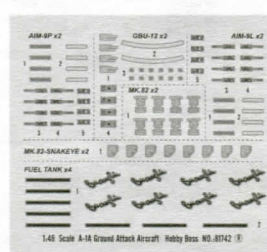
《主轮胎》X2  
Main tyre



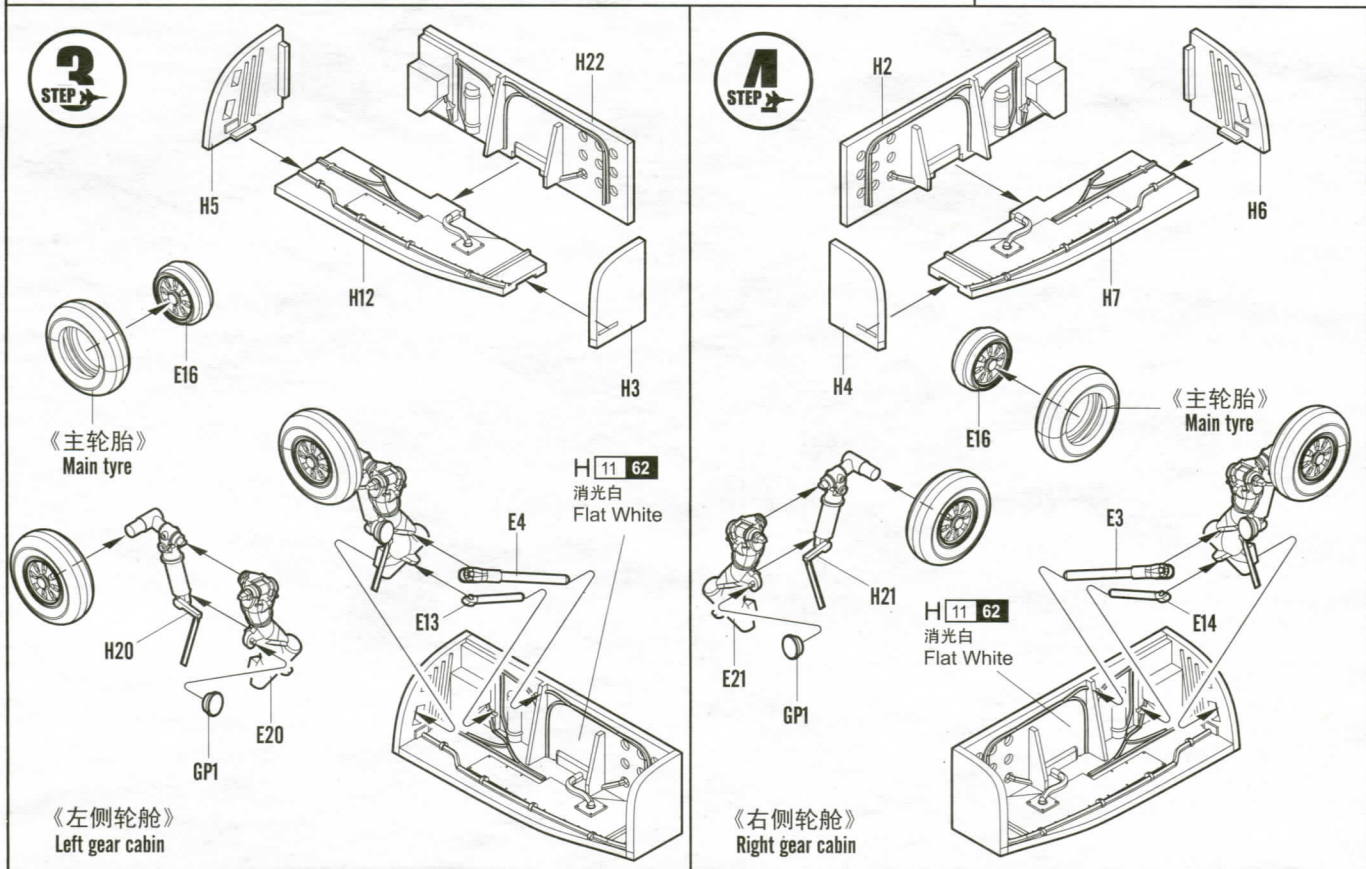
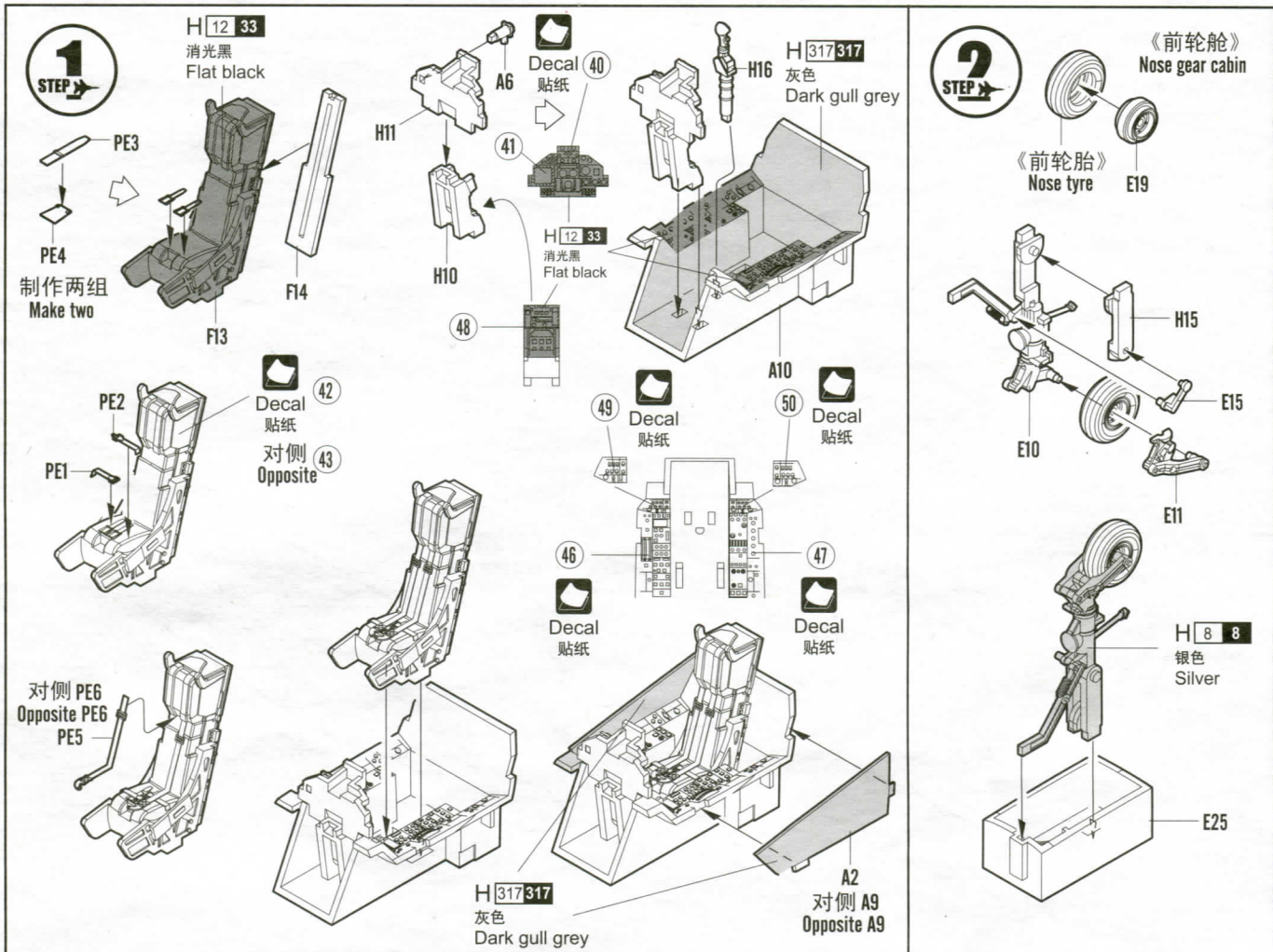
《水贴》  
Decal



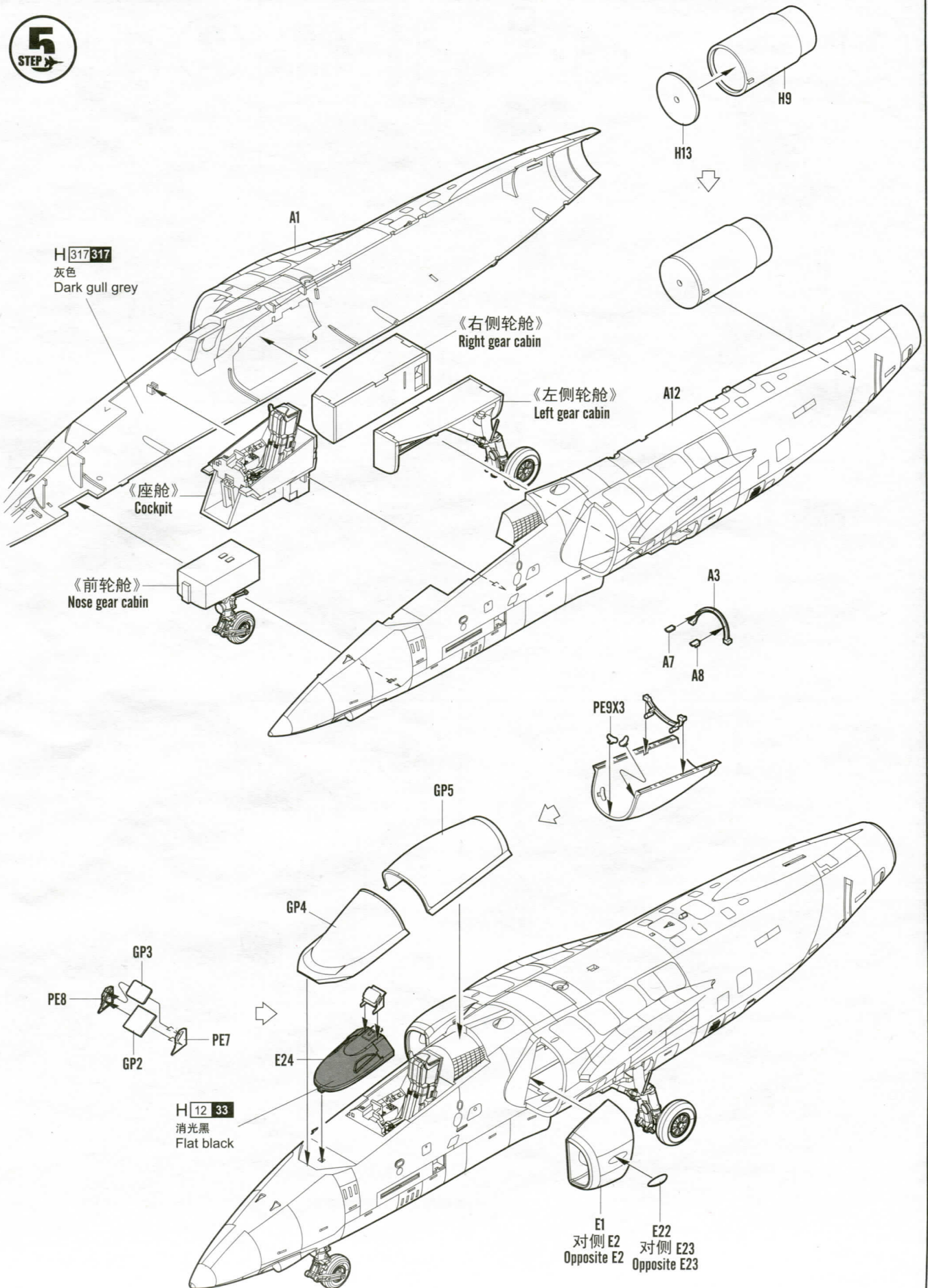
A



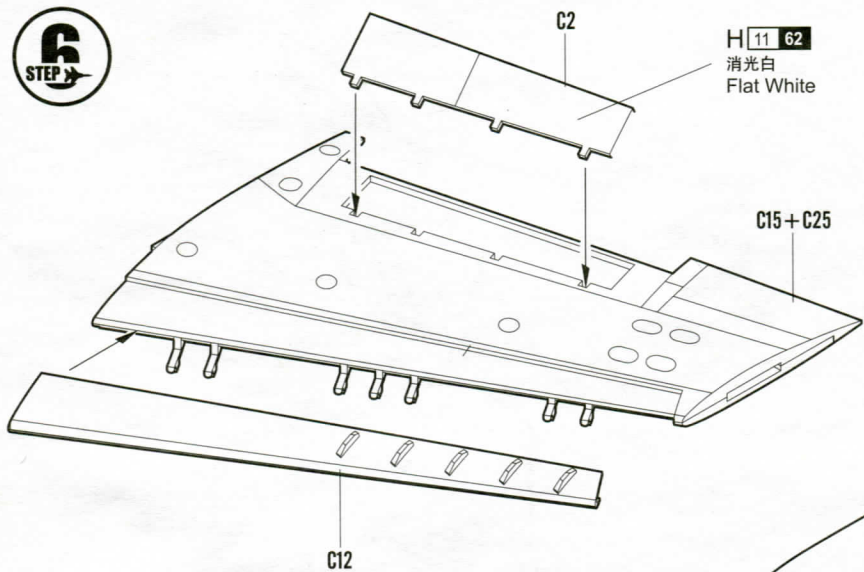
B



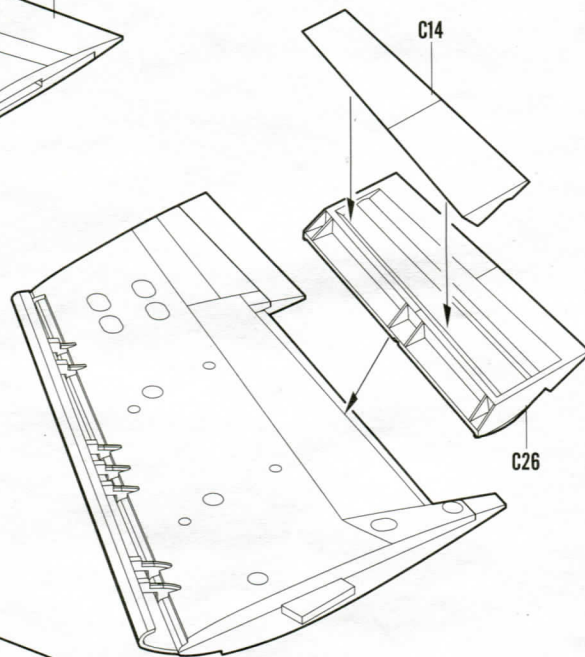
**5**  
STEP



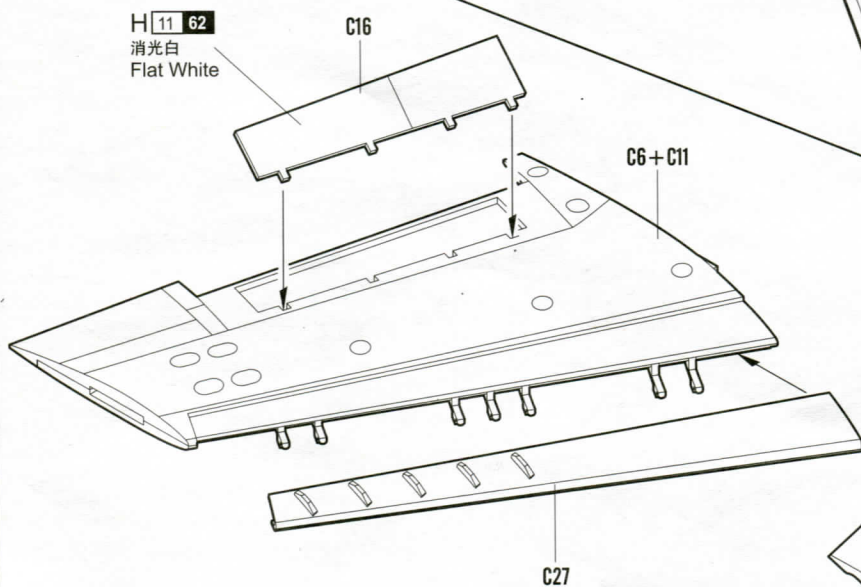
**6**  
STEP →



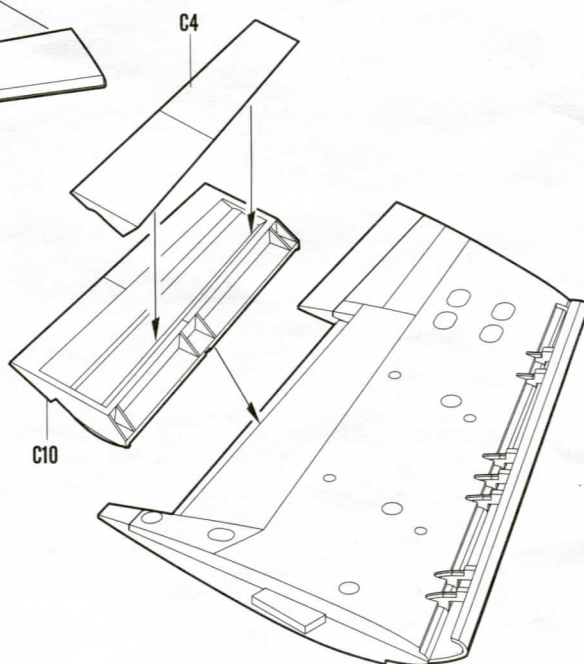
《左侧机翼》  
Left wing



**7**  
STEP →



《右侧机翼》  
Right wing





Make hole  
钻孔

C9

C8

C22

C23

Make hole  
钻孔

《右侧机翼》  
Right wing

H1  
对侧 H17  
Opposite H17

《左侧机翼》  
Left wing

对侧 C21  
Opposite C21

C20

A4

A5

A11

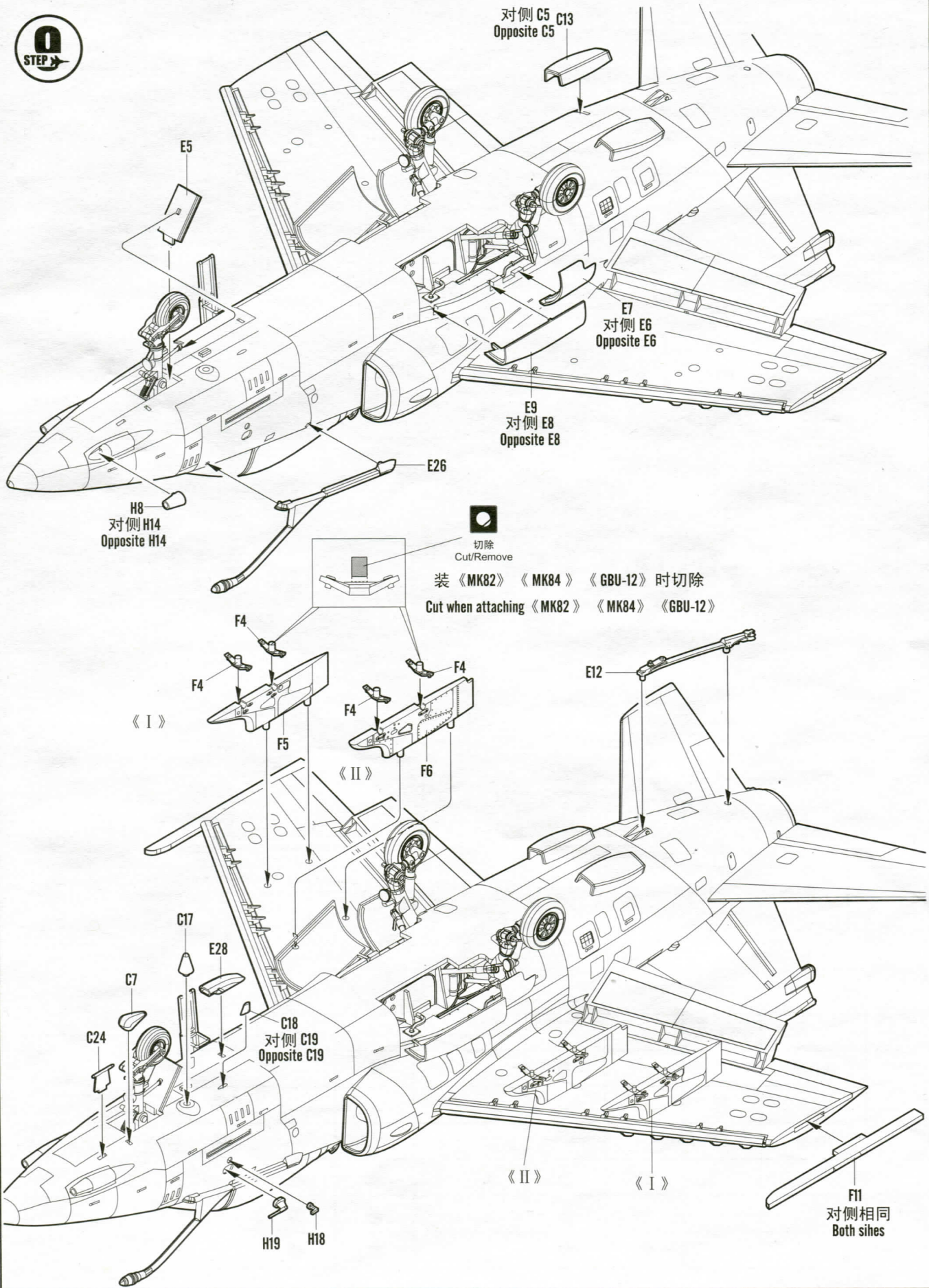
C1

C3

E29

E27

E17



对侧 C5 C13  
Opposite C5

E5

E7  
对侧 E6  
Opposite E6

E9  
对侧 E8  
Opposite E8

E26

H8  
对侧 H14  
Opposite H14



装《MK82》《MK84》《GBU-12》时切除  
Cut when attaching 《MK82》《MK84》《GBU-12》

《 I 》

《 II 》

E12

C17

E28

C7

C24

C18  
对侧 C19  
Opposite C19

《 II 》

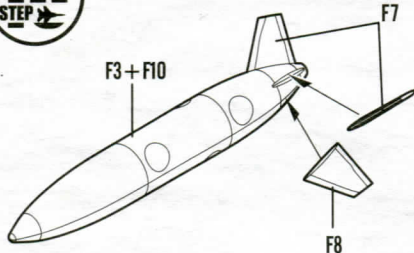
《 I 》

H19 H18

F11  
对侧相同  
Both sides

**10**  
STEP

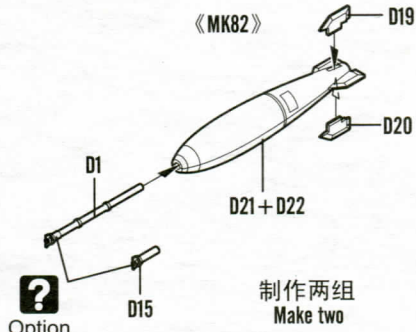
《Fuel Tank》



制作两组  
Make two

对侧相同  
Both sides

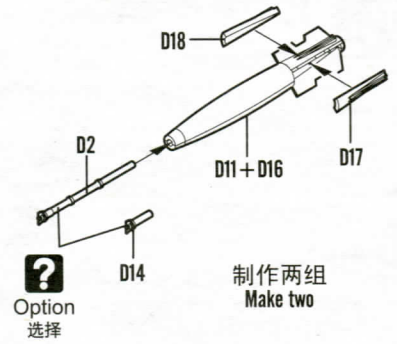
《MK82》



Option  
选择

制作两组  
Make two

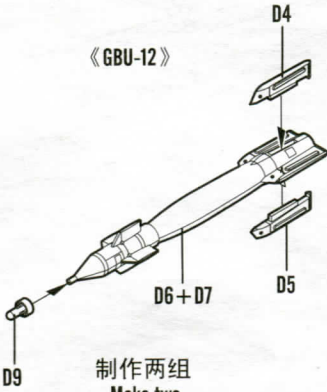
《MK84》



Option  
选择

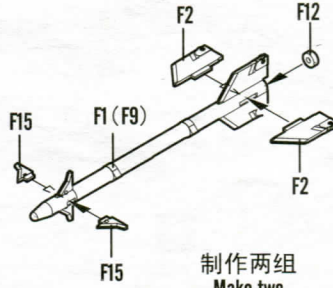
制作两组  
Make two

《GBU-12》



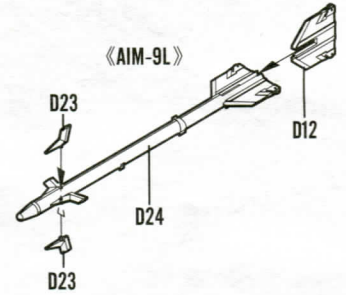
制作两组  
Make two

《AIM-9P》

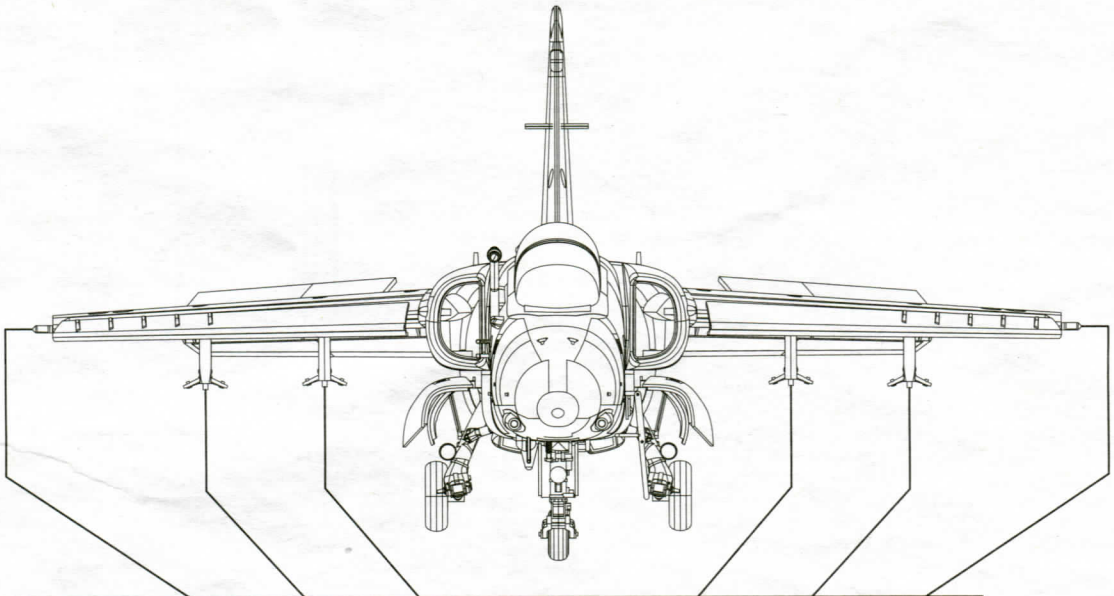


制作两组  
Make two

《AIM-9L》



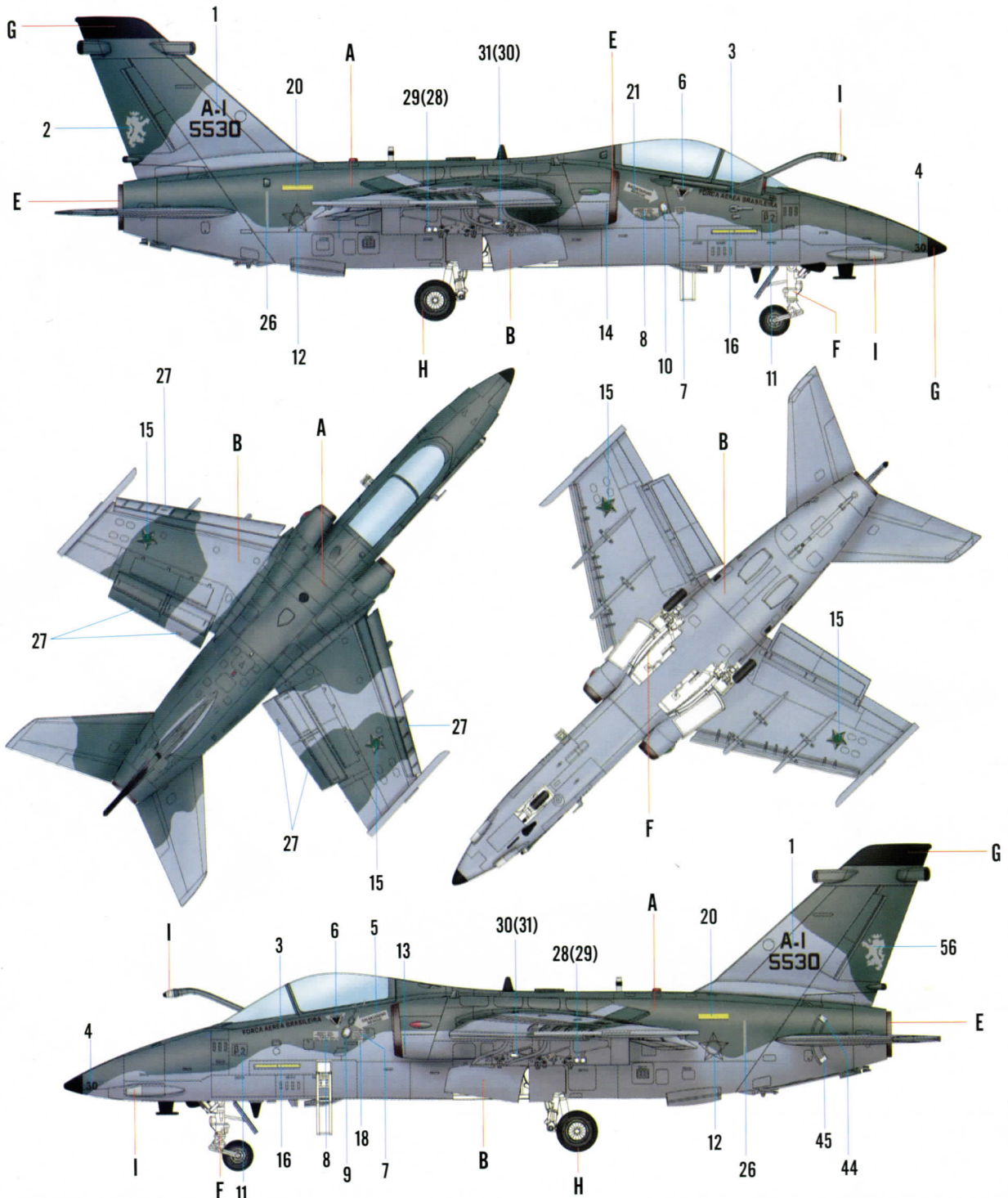
制作两组  
Make two



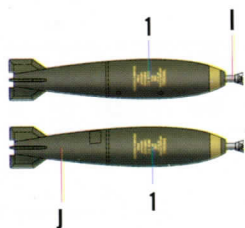
	1	2	3		4	5	6
Fuel Tank			●		●		
AIM-9L	●						●
AIM-9p	●						●
MK84		●	●		●	●	
MK82		●	●		●	●	
GBU-12		●	●		●	●	



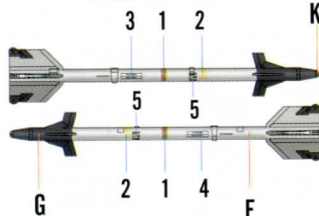
I A-1A 5530 Esq.



MK.82 x2

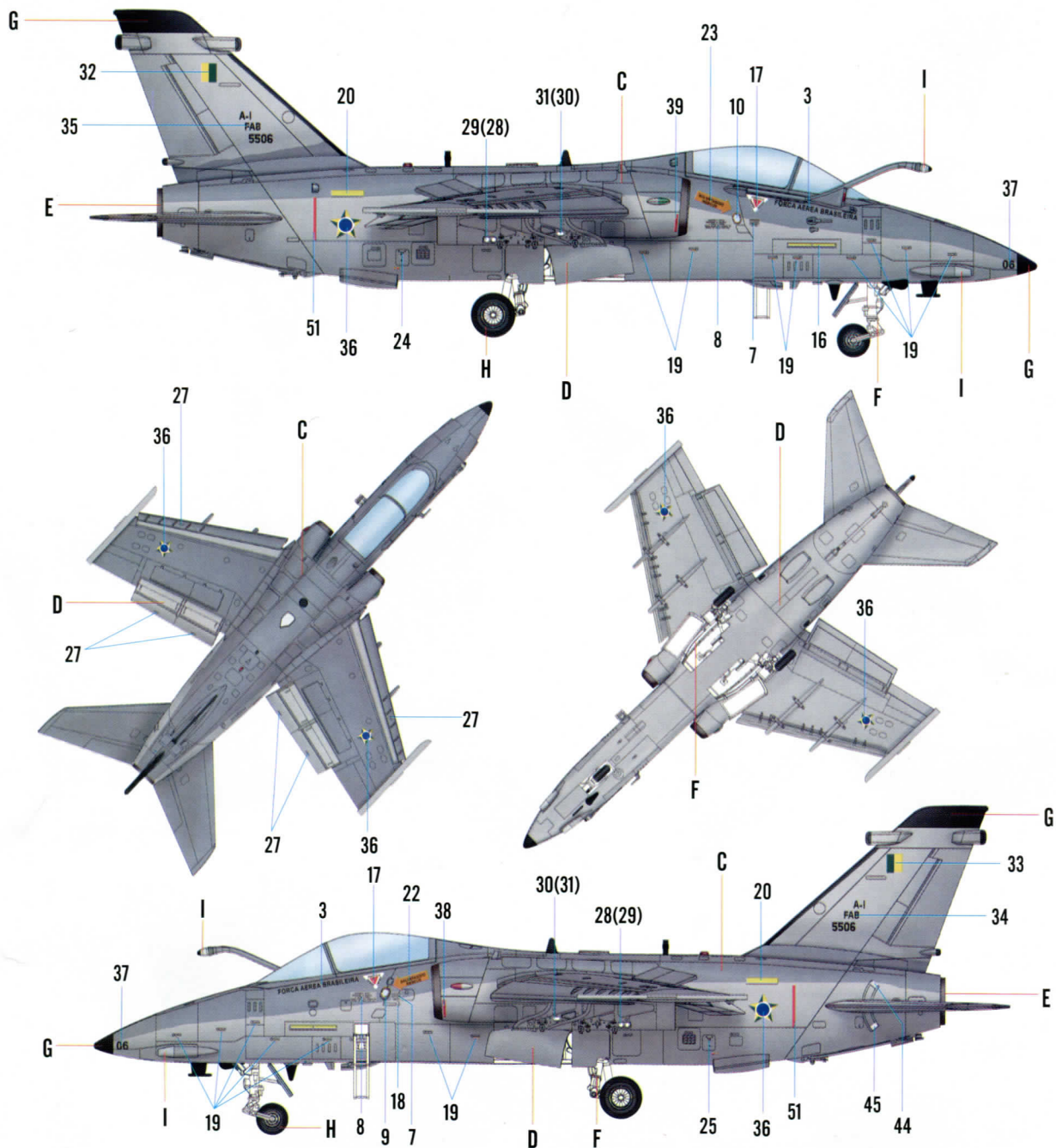


AIM-9P x2

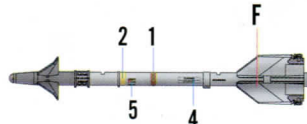
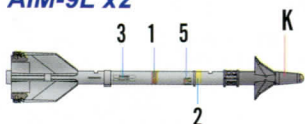


	Color	Mr.Hobby	Vallejo	Model Master	Tamiya	Humbrol
A	绿色 Dark Green	H[302 302]	895	1764	XF26	149
B	灰色 Medium Grey	H[308 306]	870	1725	XF20	--
C	灰色 Dark Compass Ghost Grey	H[307 307]	--	1741	XF22	128
D	灰色 Grey	H[308 308]	990	1728	XF19	127
E	烧铁色 Burnt Iron	H[76 61]	863	1795	X10	53
F	白色 Flat White	H[11 62]	951	1768	XF2	34

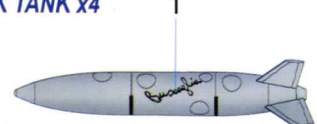
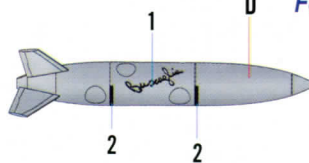
II A-1A 5506 Esq.



AIM-9L x2



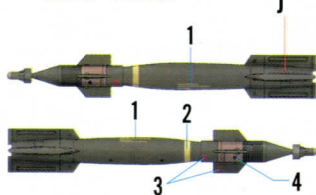
FUEK TANK x4



MK.82-SNAKEYE x2



GBU-12 x2



	Color	Mr.Hobby	Vallejo	Model Master	Tamiya	Humbrol
G	消光黒 Flat Black	H[12] 33	950	1749	XF1	33
H	胎黒色 Tyre Black	H[77] 137	--	--	--	--
I	银色 Silver	H[8] 8	997	1546	X11	11
J	橄欖色 Olive Drab(2)	H[78] 38	--	--	--	--
K	烟灰色 Smoke Blue	H[95] 101	--	--	--	--