

# PLA J-16

中国空军 J-16 战斗機

中国歼16战斗机

## PLEASE READ BEFORE OPERATION!

- \* Tools recommended as below: (Not included)  
Adhesives; Paints; Side Cutters; Sharp Edged Pliers; Modeling Knife; Modeling File; Nippers; Drill; Scissors; Sand Paper; Soft Cloth; Cyanoacrylate Glue.
- \* Make sure to read this instruction listed below before assembling.
- \* The kit contains the small parts, they can be dangerous if swallowed by mistake, so keep them away from reach of children.
- \* Cut the all parts off carefully and remove the waste parts into the garbage can.
- \* More caution and care should be needed for cutting and handling the photo etched parts.
- \* Make attention that some parts should be attached the decal when assembled.
- \* During assembling, please tear up and throw away the plastic bags, or may cause the dangerous if wearing over head by children's mistake.
- \* When using the adhesives and paints, please do not use them in the closed room or near the fire, also must be very careful to protect your eyes, face and clothes.
- \* Adult supervised when assembled by children under 14 years old.

## 装配前请仔细阅读:

- \* 推荐使用的模型工具(请自备):  
专用模型胶水, 专用模型油漆, 水口剪刀, 长咀钳, 刀片, 锉刀, 镊子钳, 钻, 剪刀, 软布, 砂纸, 瞬间快干胶等。
- \* 用水口剪刀或刀片小心切下所有塑胶零件和蚀刻片零件, 不要遗失小零件。
- \* 切蚀蚀刻片时应特别注意防止利边划伤手指。
- \* 用模型锉刀小心锉平所有零件表面的注射浇口。
- \* 用适量的强力快干胶水粘合蚀刻片零件和金属轴, 切忌过量, 否则可能导致可动零件被粘住。
- \* 注意某些零件表面需在装配时同步贴水上贴纸。
- \* 制作时应远离幼儿并将包装袋及时收妥, 谨防小孩玩耍而引起意外。



using ca super glue  
使用强力胶



weight  
配置



make hole  
钻孔



cut / remove  
切除



option  
选择



no cement  
不涂胶水



decal  
贴纸



bend  
弯曲



repair  
填补



install it first  
先装

## The method to apply the decals

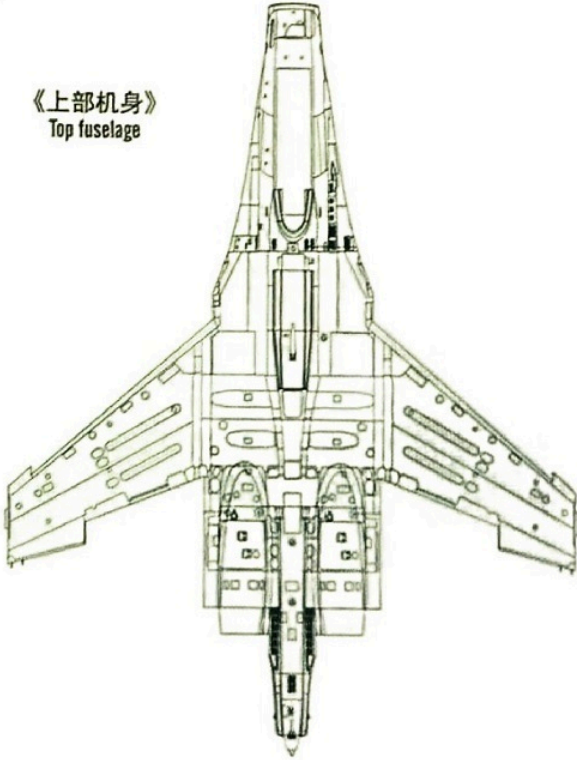
1. Cut off the decal from the decal paper and put it into the warm water 40 C for 10 seconds.
2. Take the decal from the water and put it on a piece of clean cloth.
3. Remove the decal slowly from the paper to the targeted location by a wet finger.
4. Use a piece of dry and soft cloth to press it gently on the decal until it getting dry and no bubble existing.

## 水贴纸的使用方法:

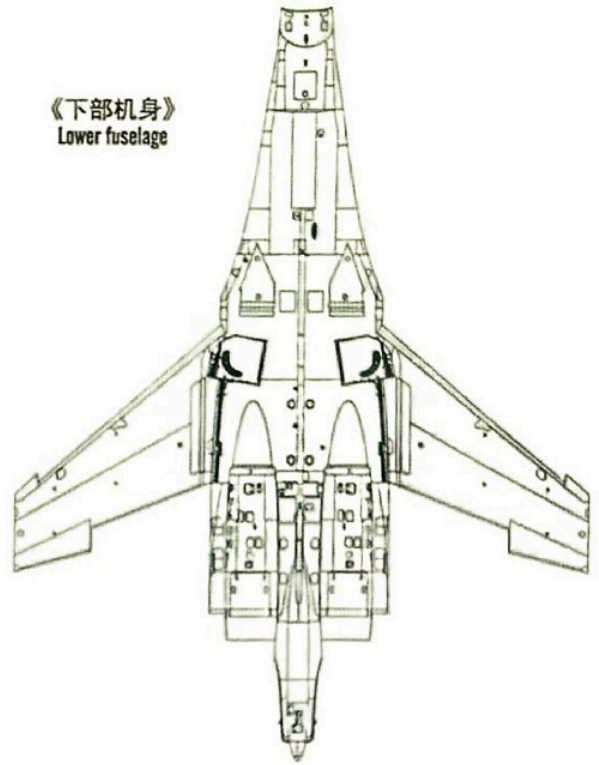
- 一. 把相关的印花从水贴上剪下, 放入40 C 左右的温水中浸10秒。
- 二. 然后将印花放在干净的布上。
- 三. 拿上印花纸板, 手指蘸水将印花移到适当的位置。
- 四. 用软干布轻压印花直至水干, 气泡消失。

部品图 Parts

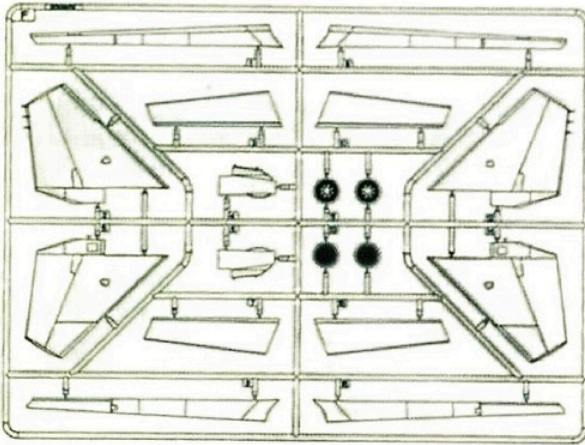
《上部机身》  
Top fuselage



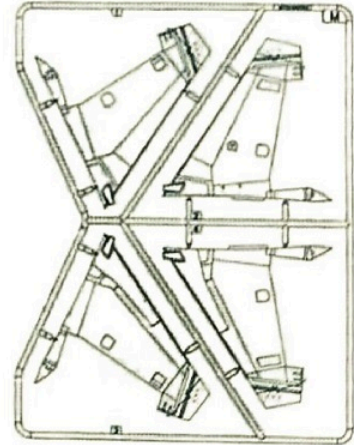
《下部机身》  
Lower fuselage



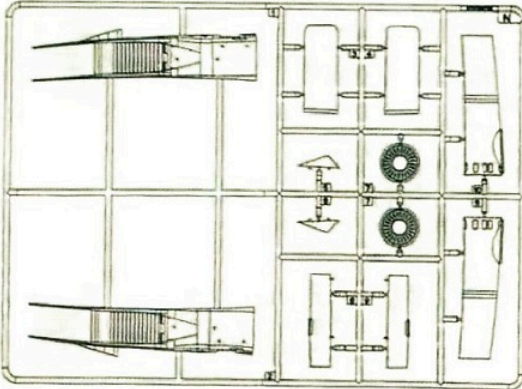
F



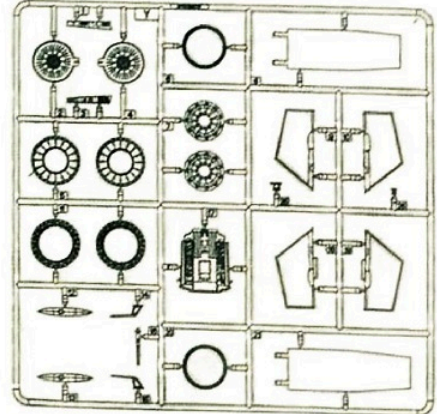
M



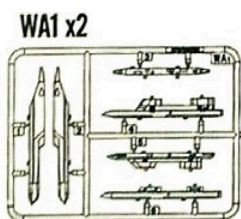
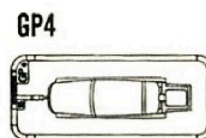
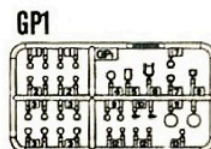
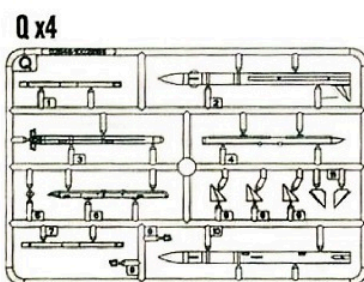
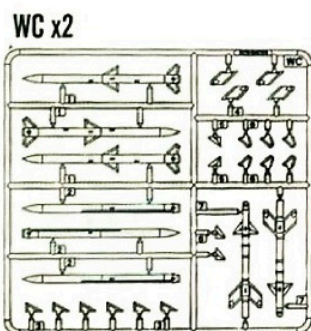
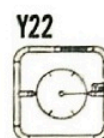
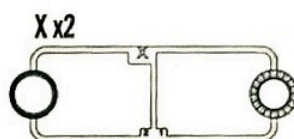
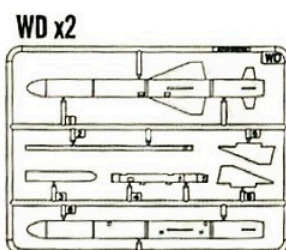
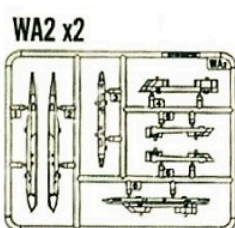
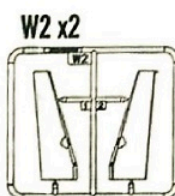
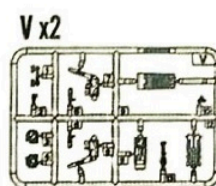
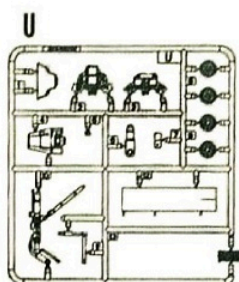
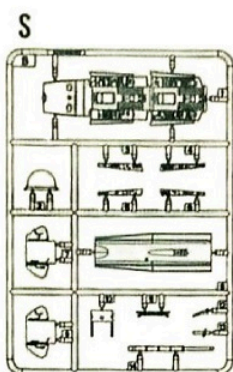
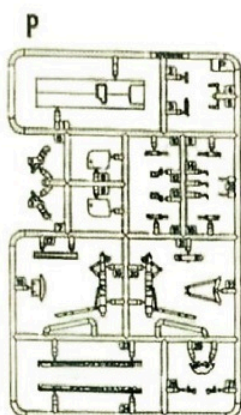
N



Y



部品图 Parts



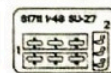
《前轮胎》 x2  
Nose tyre



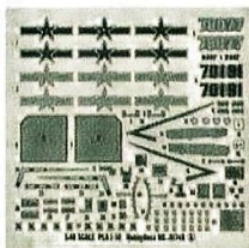
《主轮胎》 x2  
Main tyre



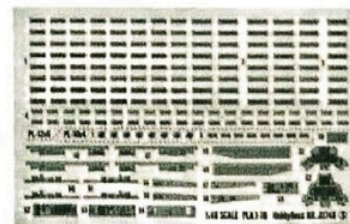
《蚀刻片》  
Photo etched part (PE)



《水贴纸》 A  
Decal

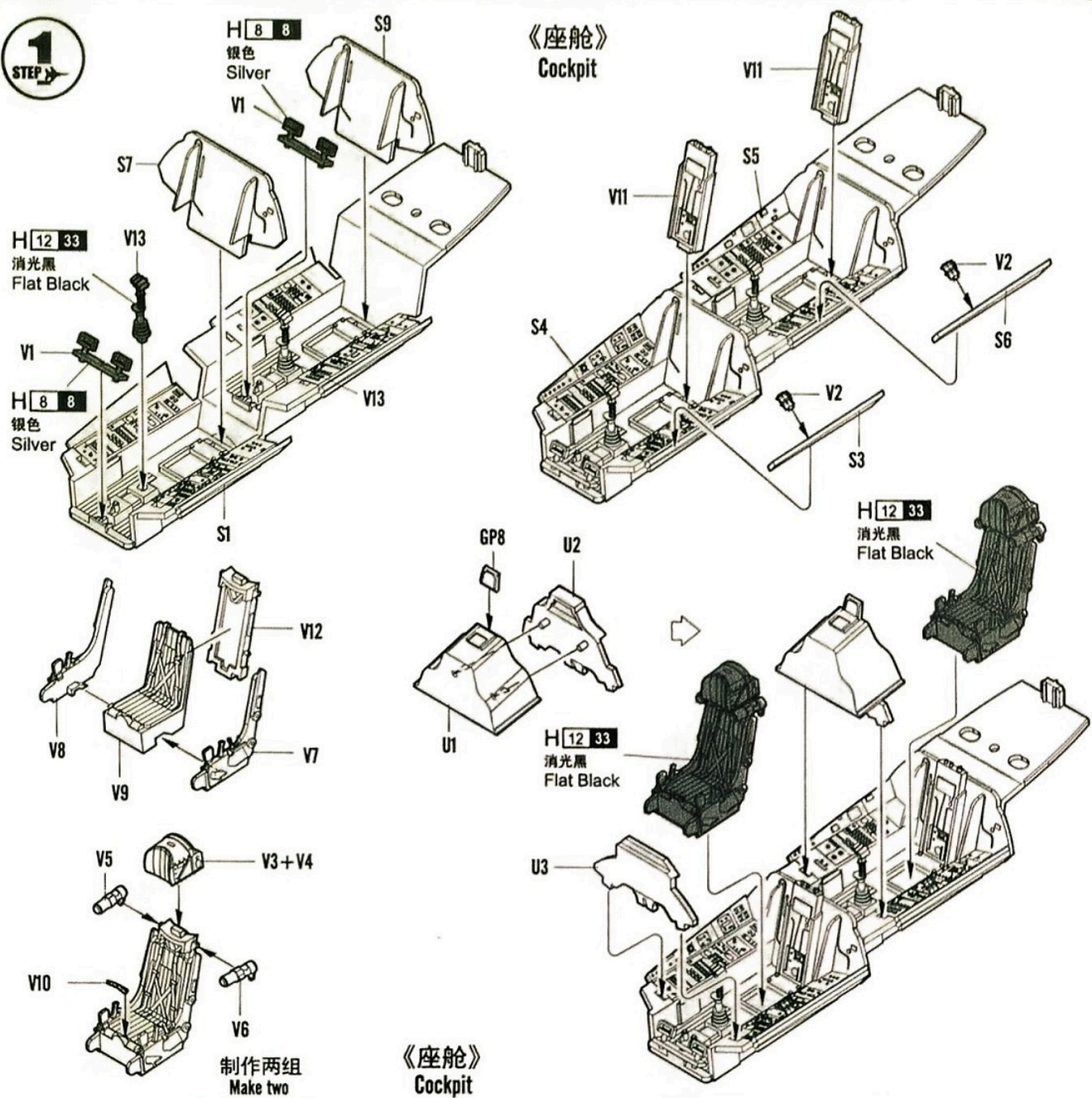


《水贴纸》 B  
Decal

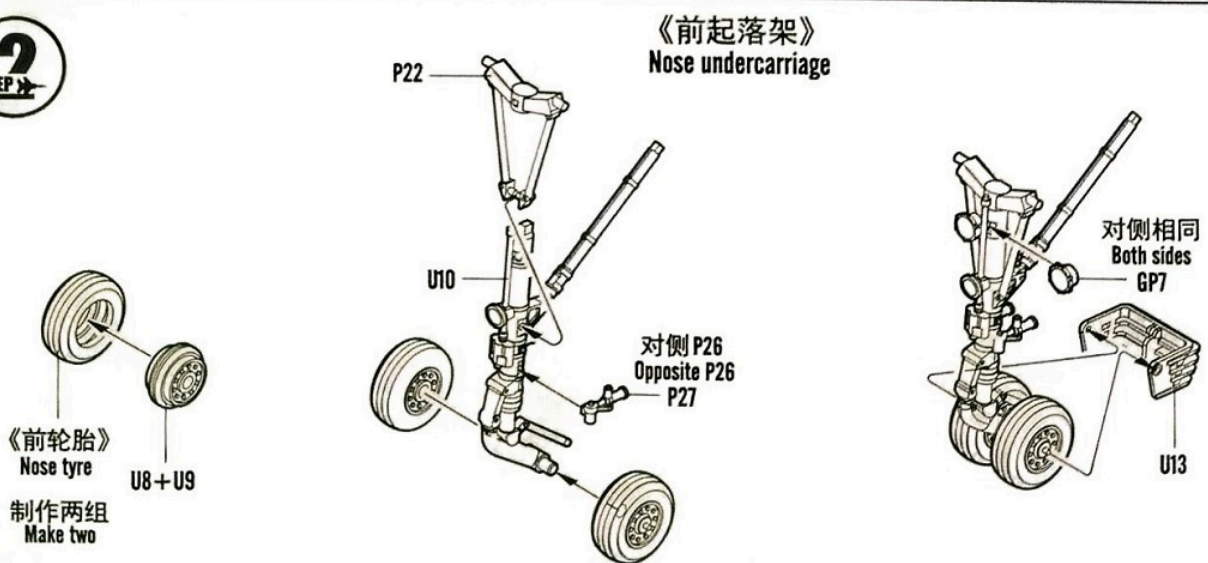


不用的部件：  
Y1 Y3 Y5 Y8 Y11 Y16 Y17 WE2  
WE4 WE6 WE7 WE8 WE9 WE10  
GP2 GP3 GP5 GP8 GP9 GP11  
GP12 PE2

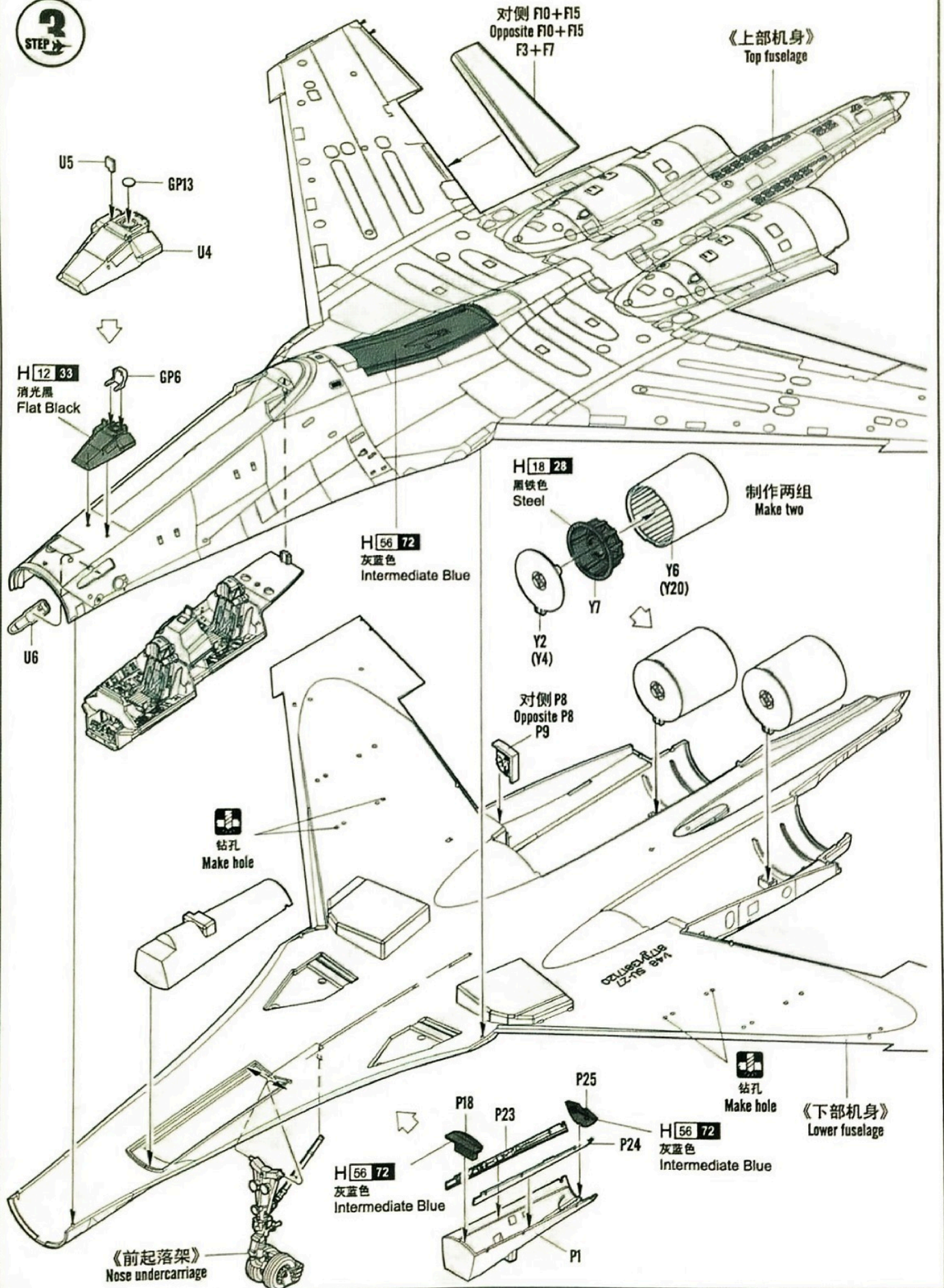
**1**  
STEP



**2**  
STEP

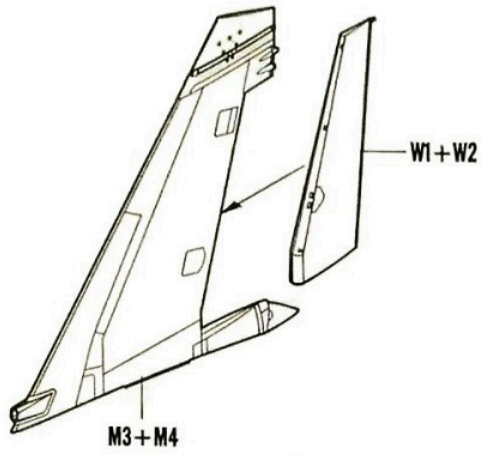


**3**  
STEP

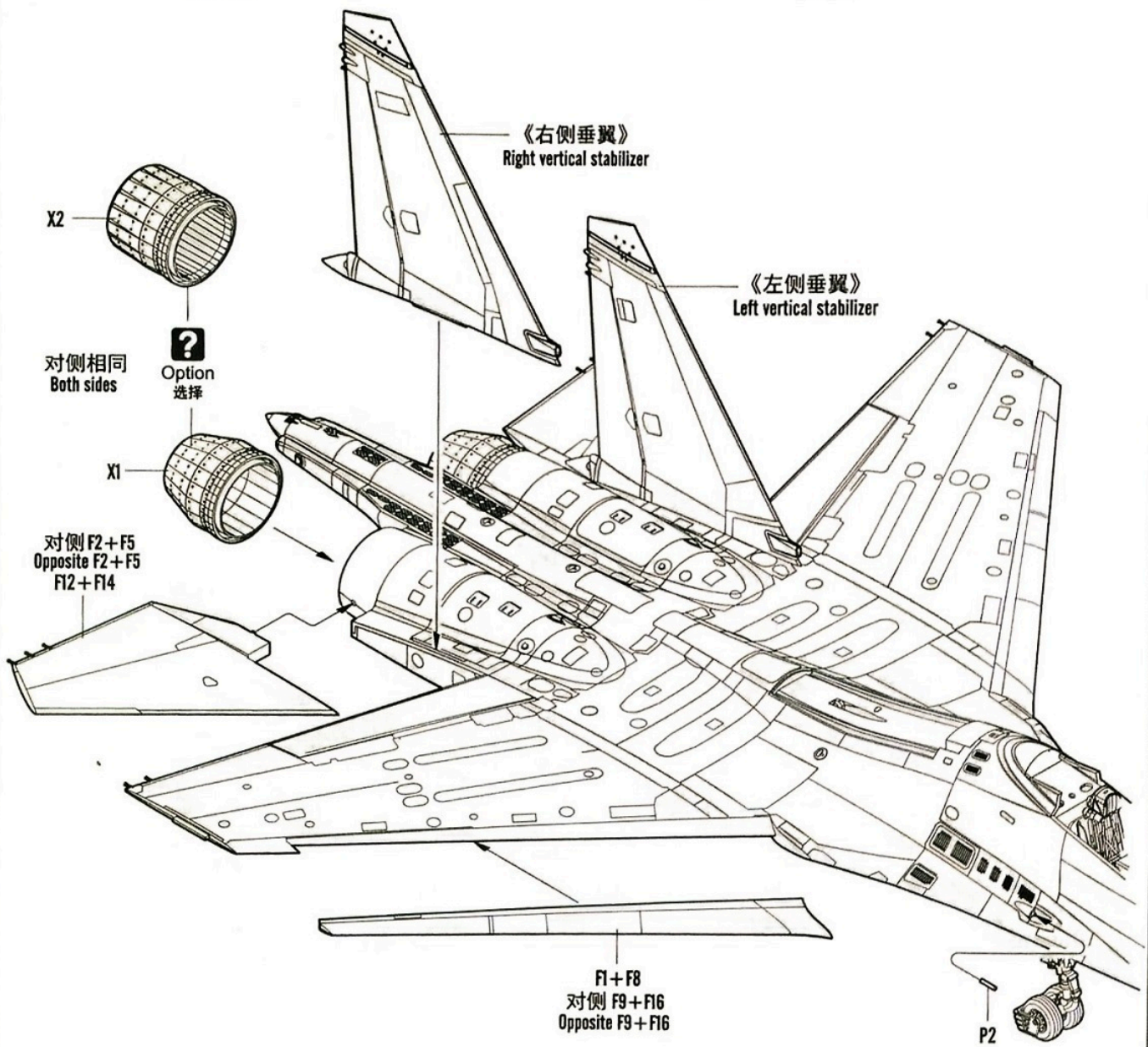
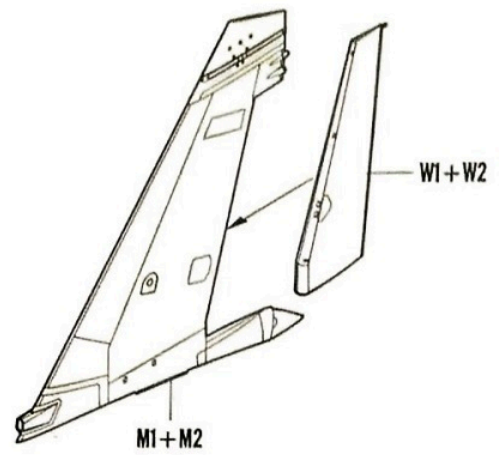




《右侧垂翼》  
Right vertical stabilizer

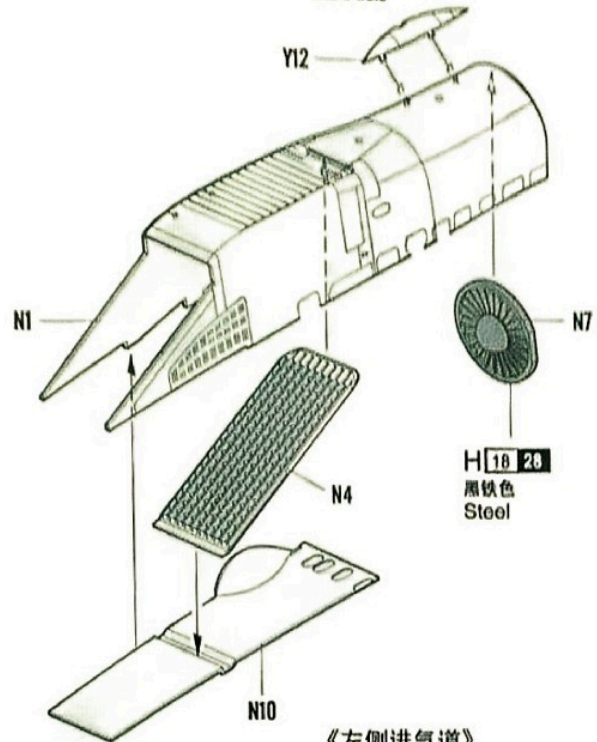
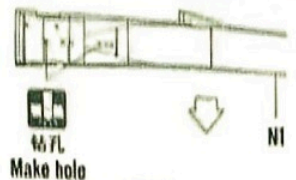


《左侧垂翼》  
Left vertical stabilizer

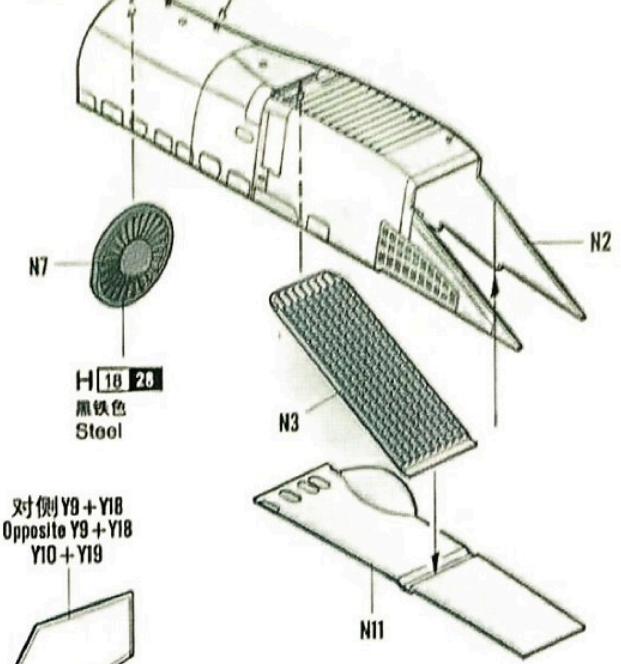
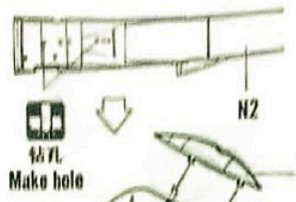


**5**  
STEP

《左侧进气道》  
Left air intake

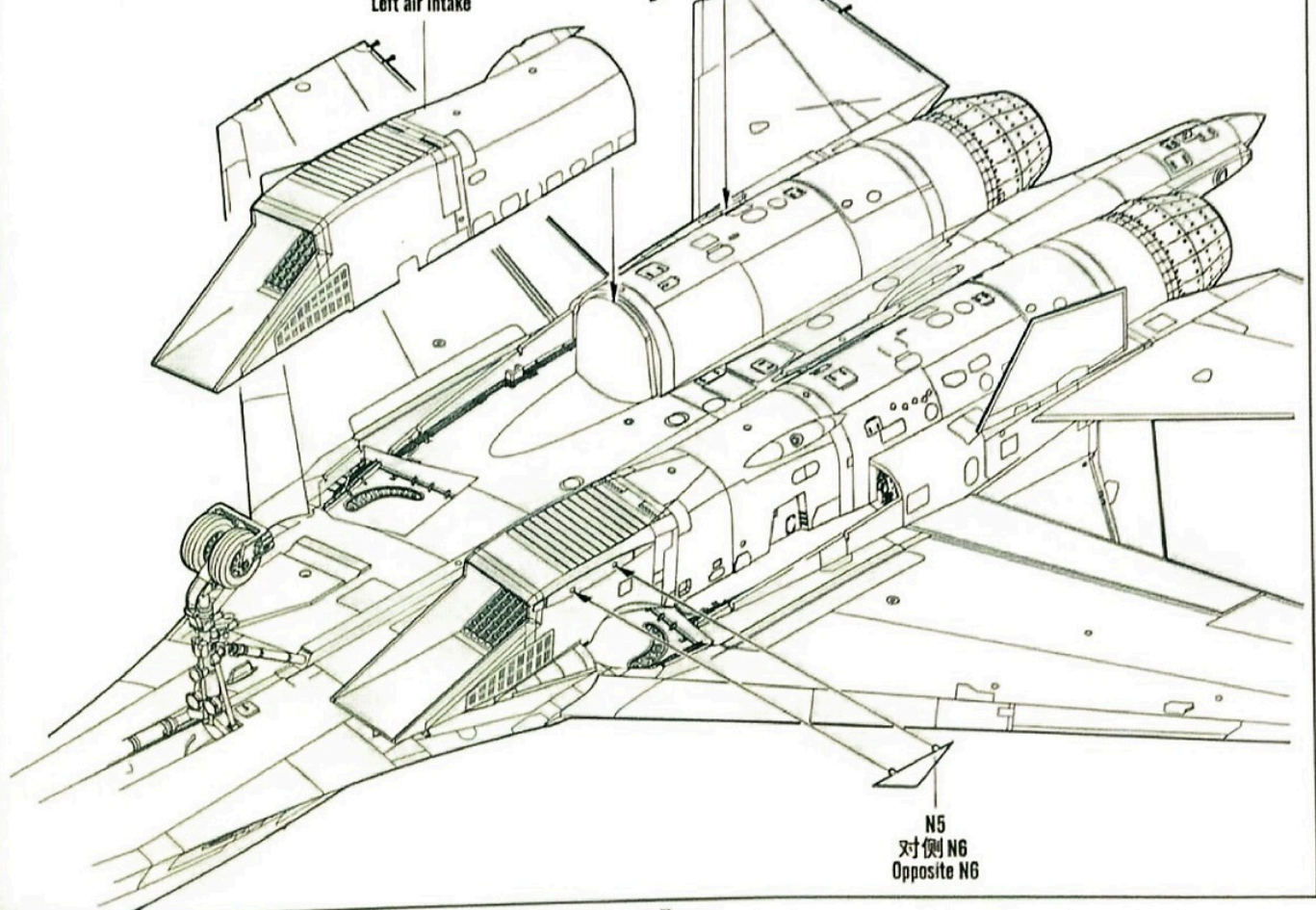


《右侧进气道》  
Right air intake

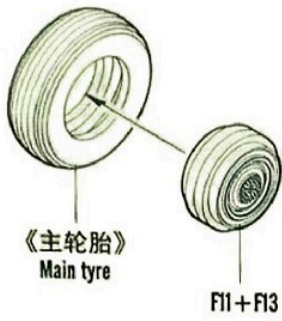


《左侧进气道》  
Left air intake

对侧 Y9 + Y18  
Opposite Y9 + Y18  
Y10 + Y19



6  
STEP 2

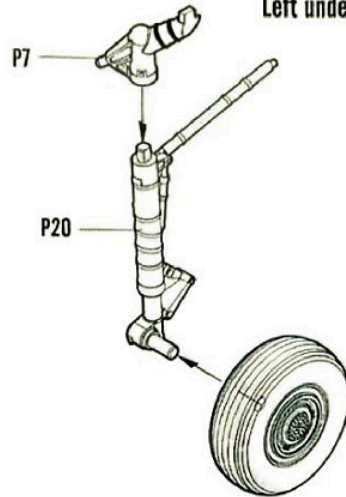


《主轮胎》  
Main tyre

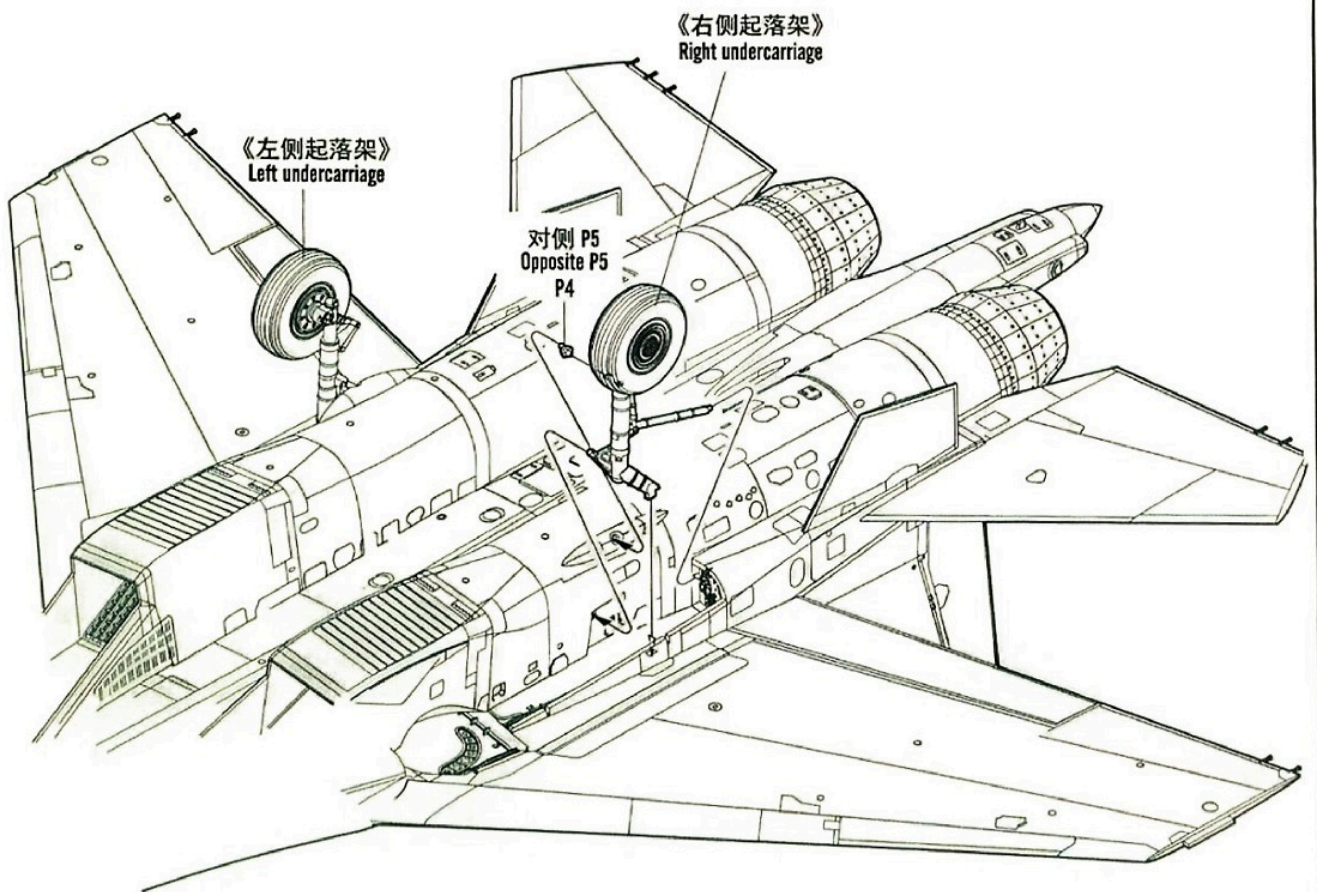
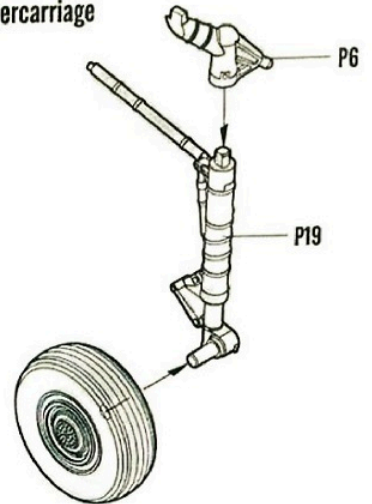
F11 + F13

制作两组  
Make two

《左侧起落架》  
Left undercarriage

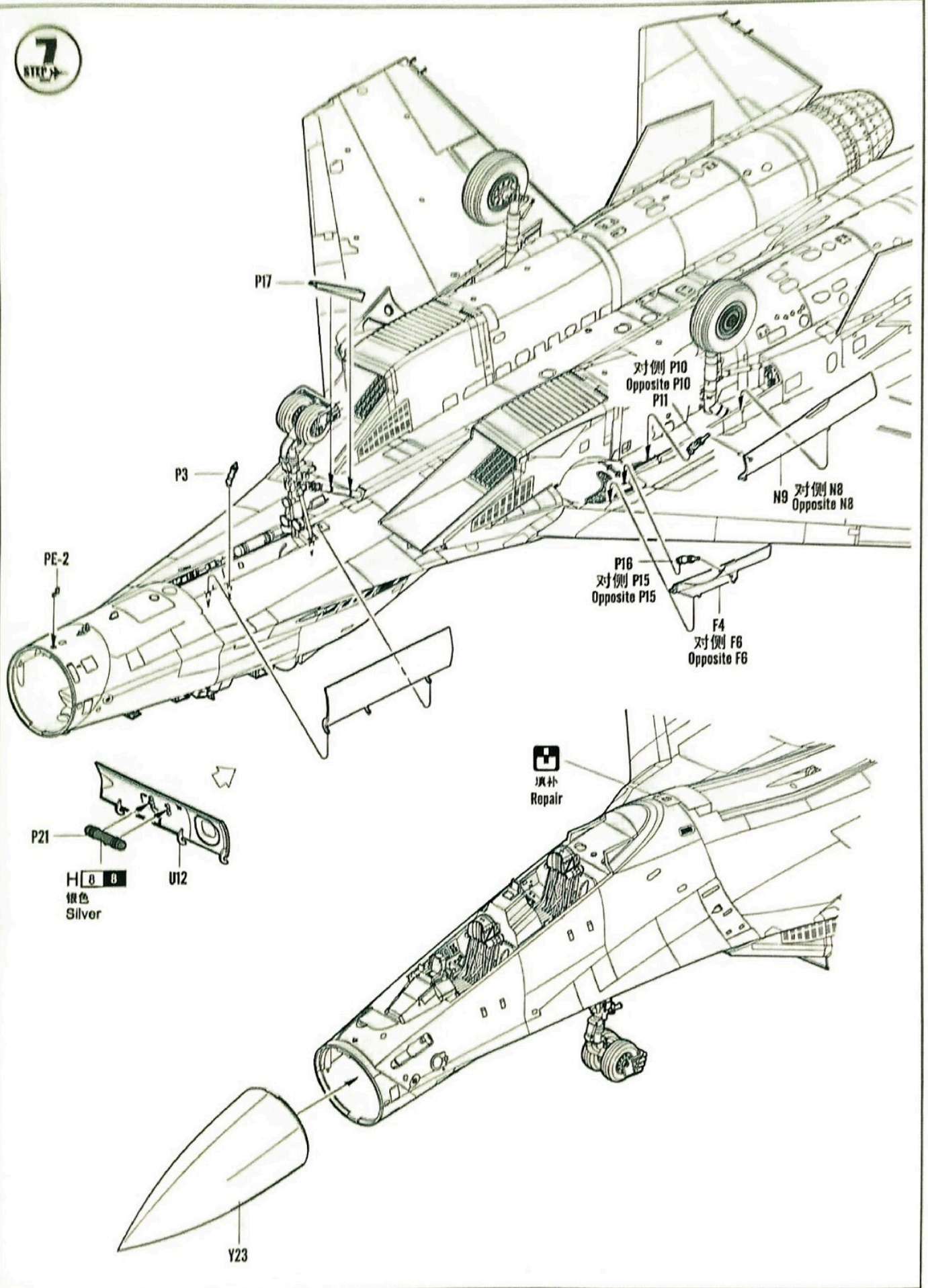


《右侧起落架》  
Right undercarriage

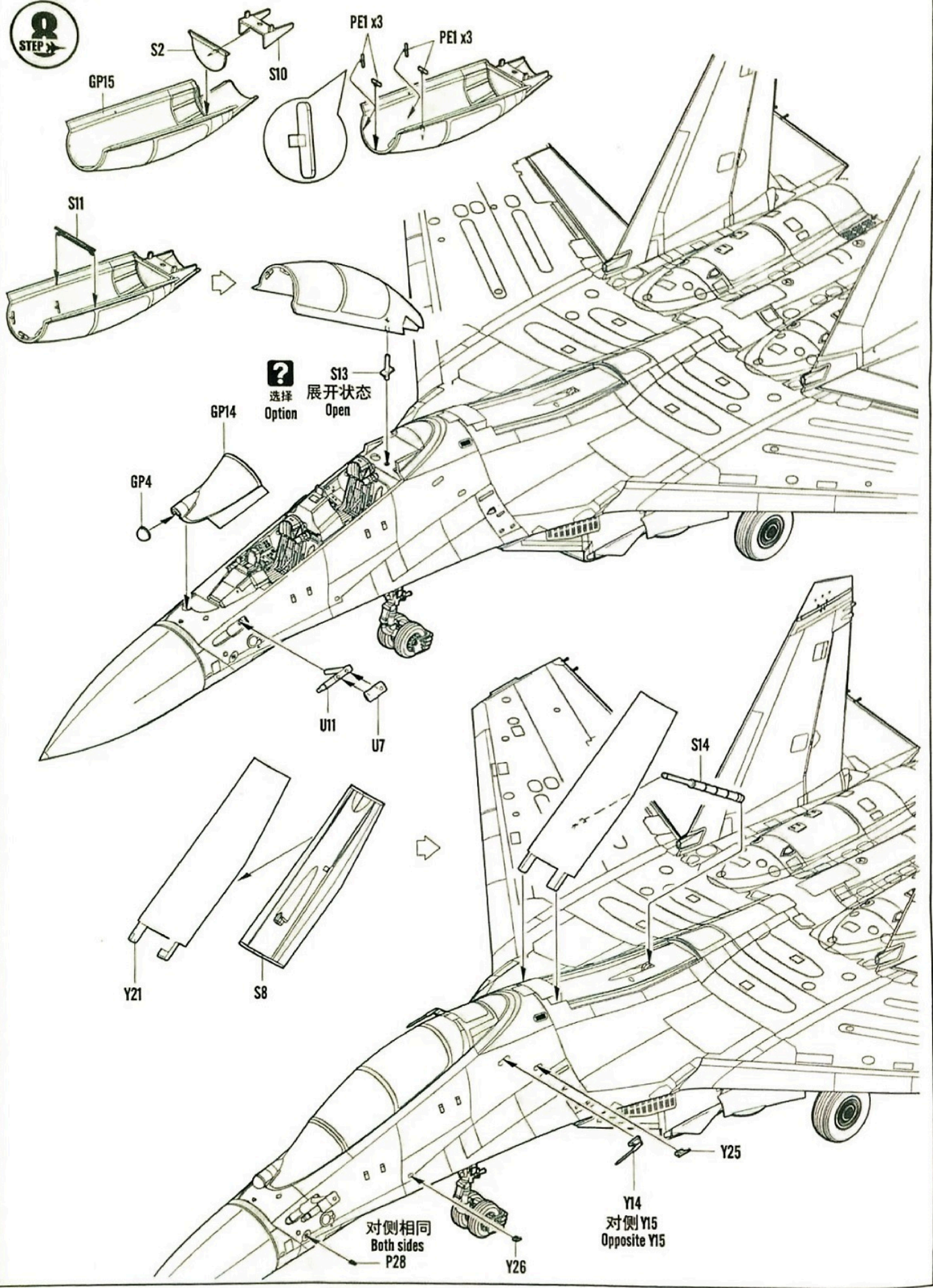




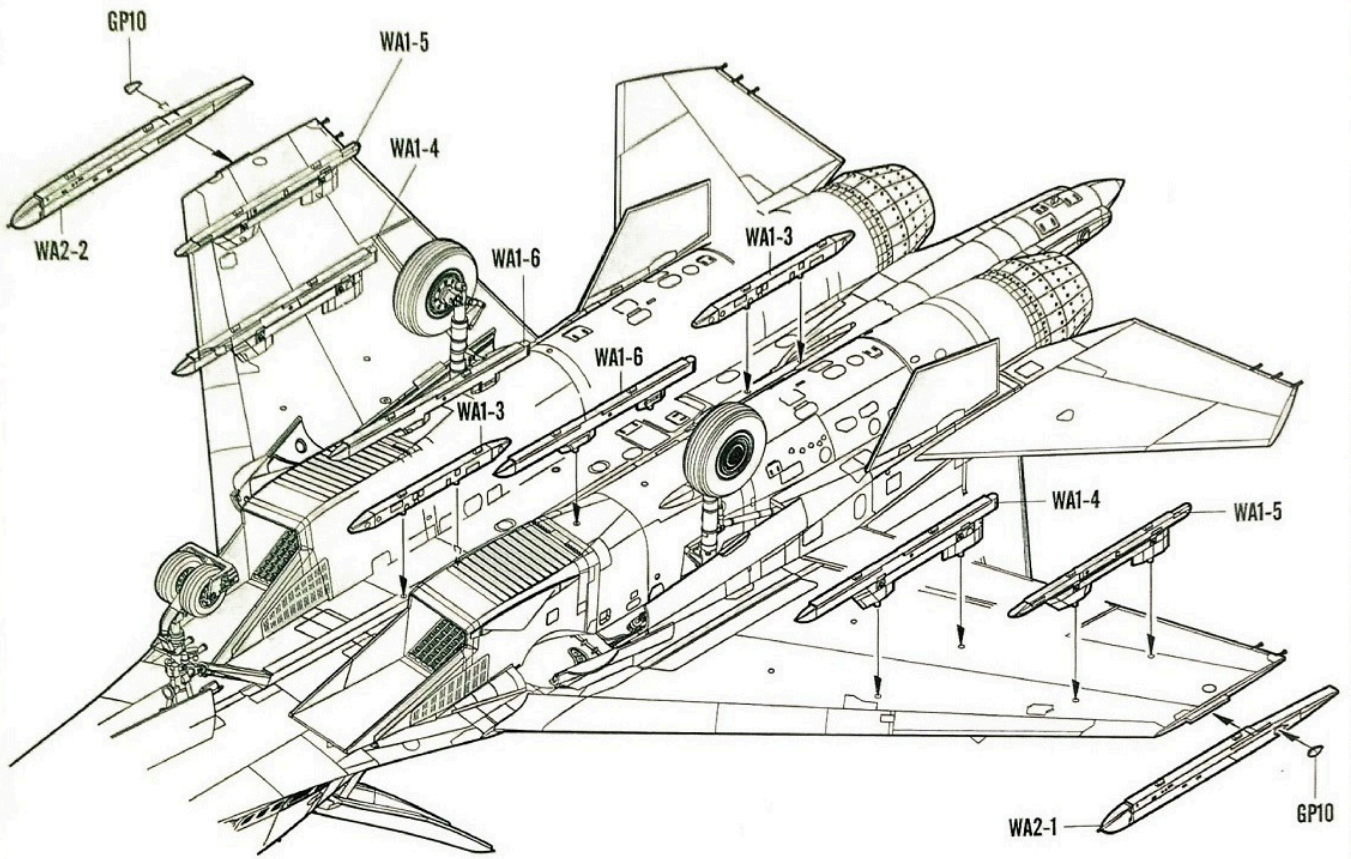
7  
STEP



STEP 8

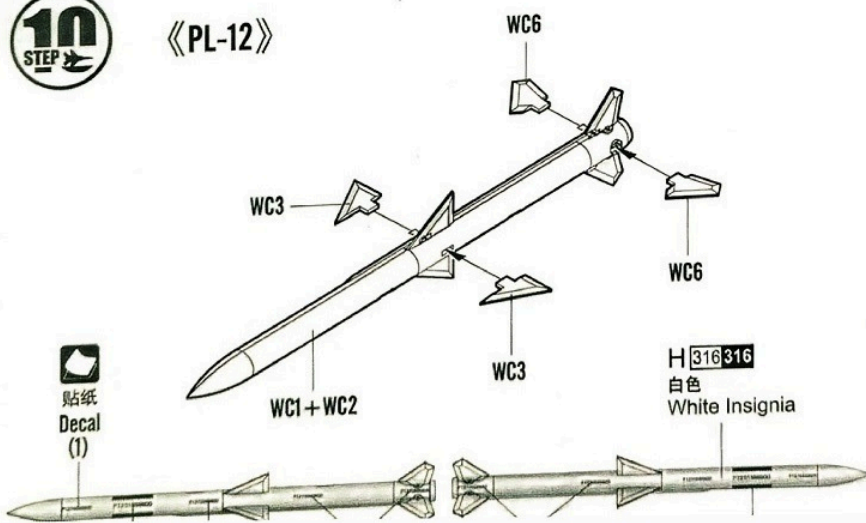


**9**  
STEP



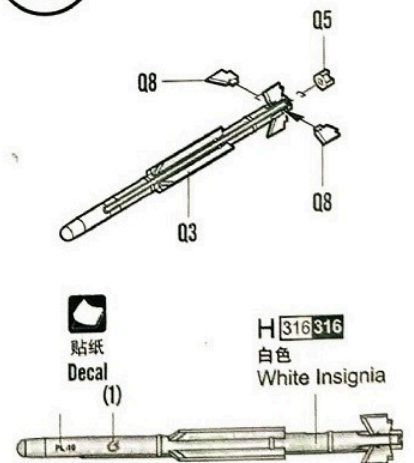
**10**  
STEP

《PL-12》



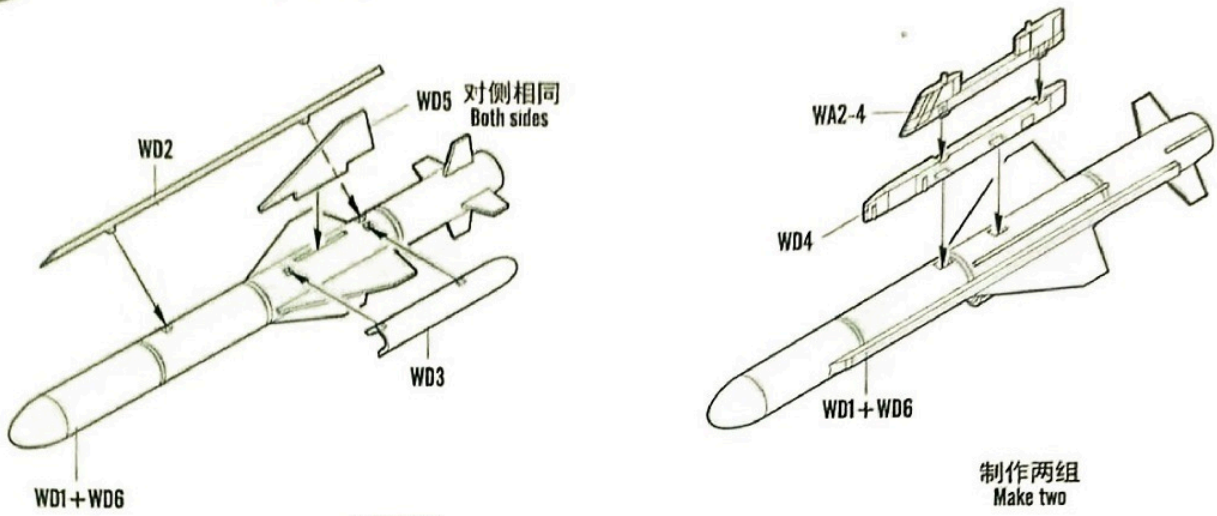
**11**  
STEP

《PL-10》



**12**  
STEP

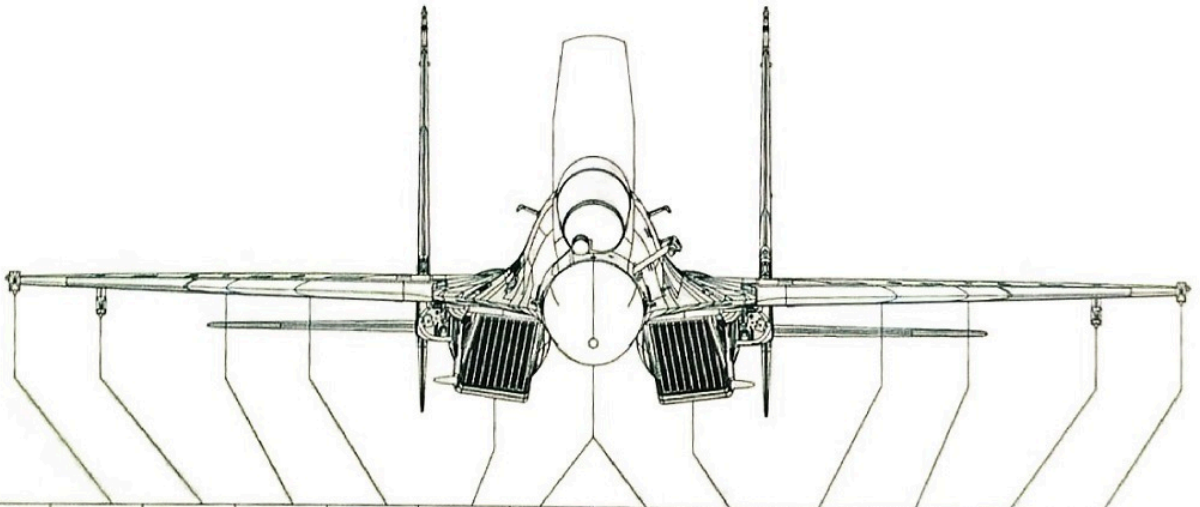
《KD-88》



N 316316  
白色  
White Insignia

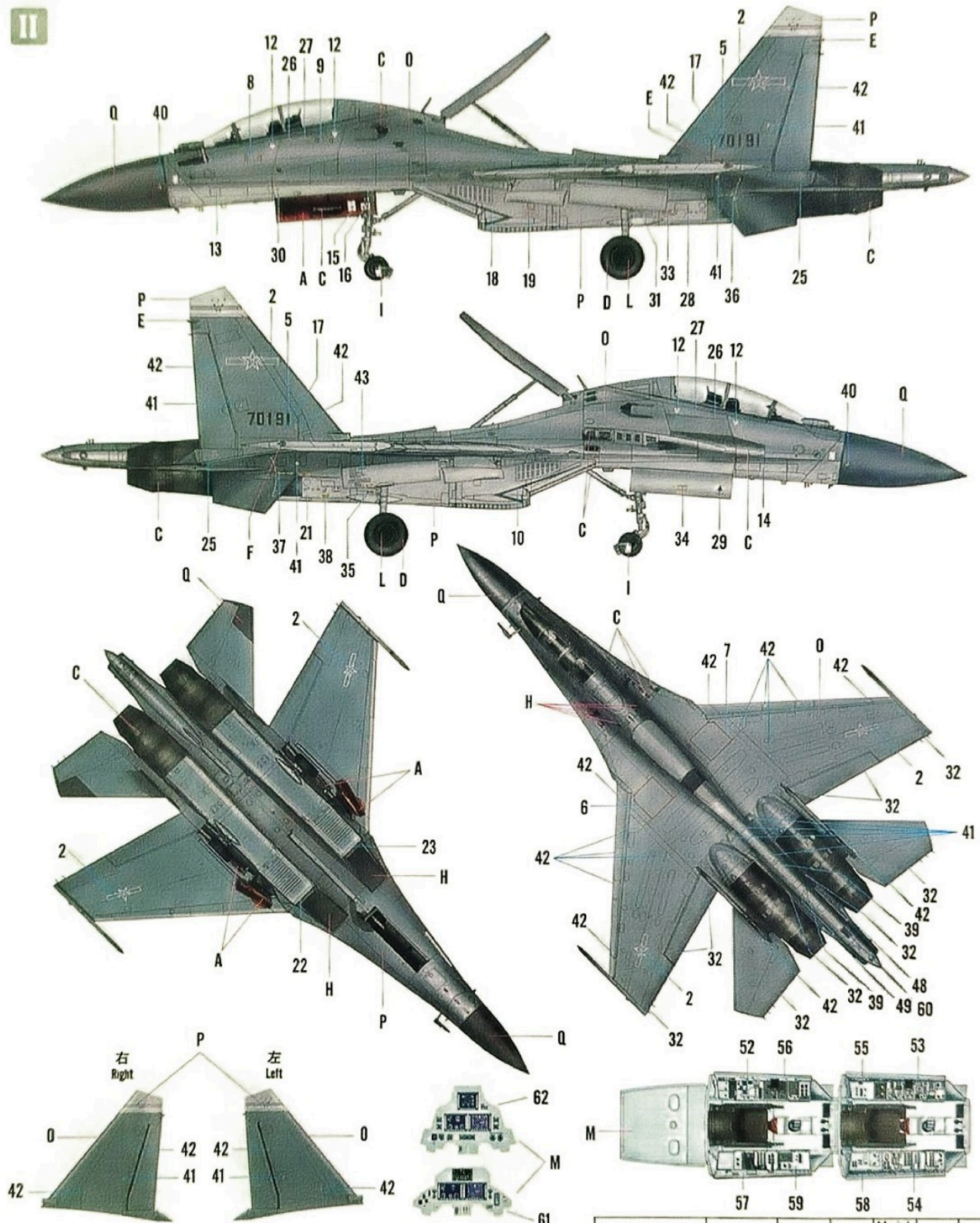


**13**  
STEP



Missile \ Sta.No.	1	2	3	4	5	6	7	8	9	10	11	12
PL-10	●	●									●	●
PL-12			●		●	●	●	●		●		
KD-88			●	●	●	●	●	●	●	●		

II



Color	Mr Hobby	Acryslon	Vallejo	Model Master	Tamiya	Humbrol	Color	Mr Hobby	Acryslon	Vallejo	Model Master	Tamiya	Humbrol
I 灰白色 Aircraft Gray	H[57 73]	N[57]	--	--	--	--	M 浅蓝色 RLM 76 Light Blue	H[117]	N[ ]	907	1731	--	146
J 浅蓝色 Grayish Blue	H[337 337]	N[337]	--	1721	XF20	145	N 黄色 Yellow	H[4 4]	N[4]	953	1514	X8	69
K 浅灰色 Light Aircraft Gray	H[332 332]	N[332]	--	--	--	166	O 深灰色 Dark Gray	H[334 334]	N[334]	--	--	XF19	167
L 薄荷绿色 Light Green	H[319 319]	N[319]	--	1713	--	117	P 灰色 Gray	H[308 308]	N[308]	990	1728	XF19	127
							Q 朱色一号 Red 1	H[92]	N[ ]	950	--	X18	--

H: AQUEOUS HOBBY COLOR    M: Mr. COLOR    N: ACRYSLON COLOR

\*Some paints may not be available in your country. Please check your local hobby shop for substitute

NO.:81748

# 标贴与涂装

MARKING & PAINTING

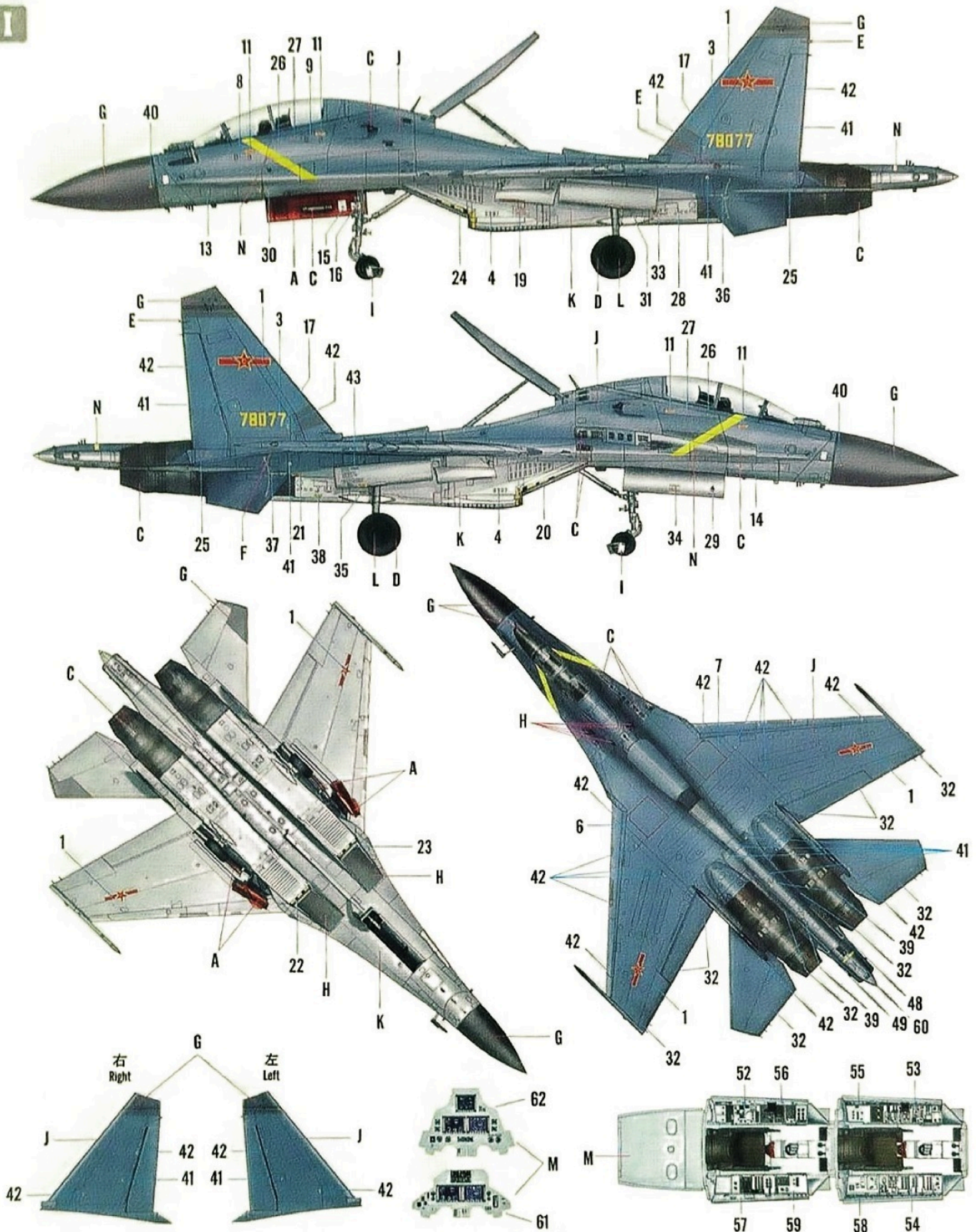
# PLA J-16

中国空军 J-16 歼击机

中国歼16战斗机



I



Color	Mr Hobby	Acrycion	Vallejo	Model Master	Tamiya	Humbrol	Color	Mr Hobby	Acrycion	Vallejo	Model Master	Tamiya	Humbrol
<b>A</b> 红色 Red	H 3 3	N 3	908	1503	X7	19	<b>E</b> 透明红 Clear Red	H 90 47	N 90	934	--	X27	--
<b>B</b> 银色 Silver	H 8 8	N 8	997	1546	X11	11	<b>F</b> 透明绿 Clear Green	H 94	N 94	936	--	X25	--
<b>C</b> 灰棕色 Burnt Iron	H 76 61	N 76	863	1795	X10	53	<b>G</b> 深灰色 Medium Gunship Grey	H 305 305	N 305	868	1723	XF58	125
<b>D</b> 胎黑色 Tire Black	H 77 137	N 77	--	--	--	--	<b>H</b> 钢灰色 Steel	H 18 28	N 18	864	1402	--	--

H AQUEOUS HOBBY COLOR    M Mr. COLOR    N ACRYSION COLOR

※ Some paints may not be available in your country. Please check your local hobby shop for substitute

NO.:81748