

MARTINSYDE G 100 ELEPHANT

Jednomiejscowy, eskortowy samolot myśliwski dalekiego zasięgu zakładów Martinsyde został skonstruowany podczas IWW.

Pierwszy prototyp ukończono latem 1915 r., zaś pierwsze seryjne samoloty skierowano na front z początkiem 1916 r. Myśliwiec okazał się za ciężki i w połowie 1916 r. zaczęto używać go jako samolot bombowy. Po IWW samolot G-100/102 był użytkowany w Palestynie i Mezopotamii.

Constructed during IWW single long range fighter was designer for eskort purposes. First prototype was finished in summer 1915 and first batch of fighters were delivered to front squadrons in January 1916. The fighter turned out to be heavy and in mid-1916 was begun to used as a bomber. After WWI G-100/102 was used in Palestine and Mezopotamia.

Technical data

Single engine, single-seat biplane fighter. Wooden construction covered with fabric.

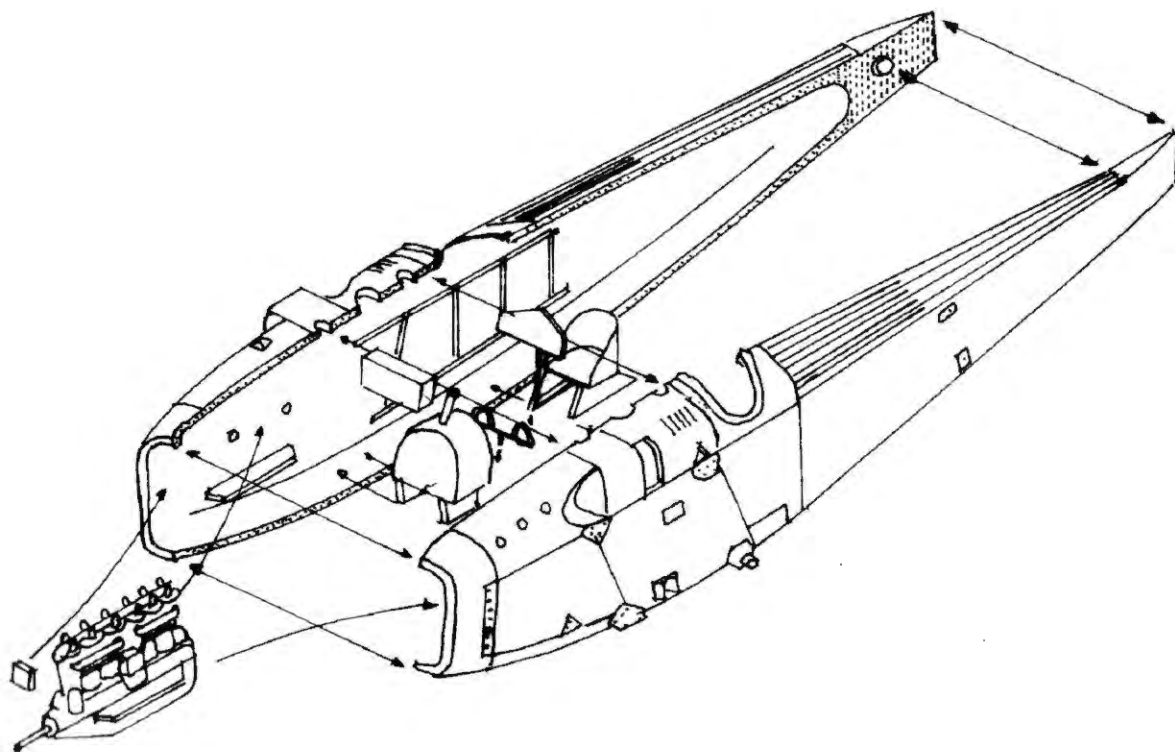
Crew: pilot in open cockpit.

Powerplant: 160 HP Beardmore, six-cylinder, water-cooled invert in line engine.

Driving: a two-bladed wooden propeller.

Armament: one forward-firing Lewis machine gun. Bombs 118 kg.

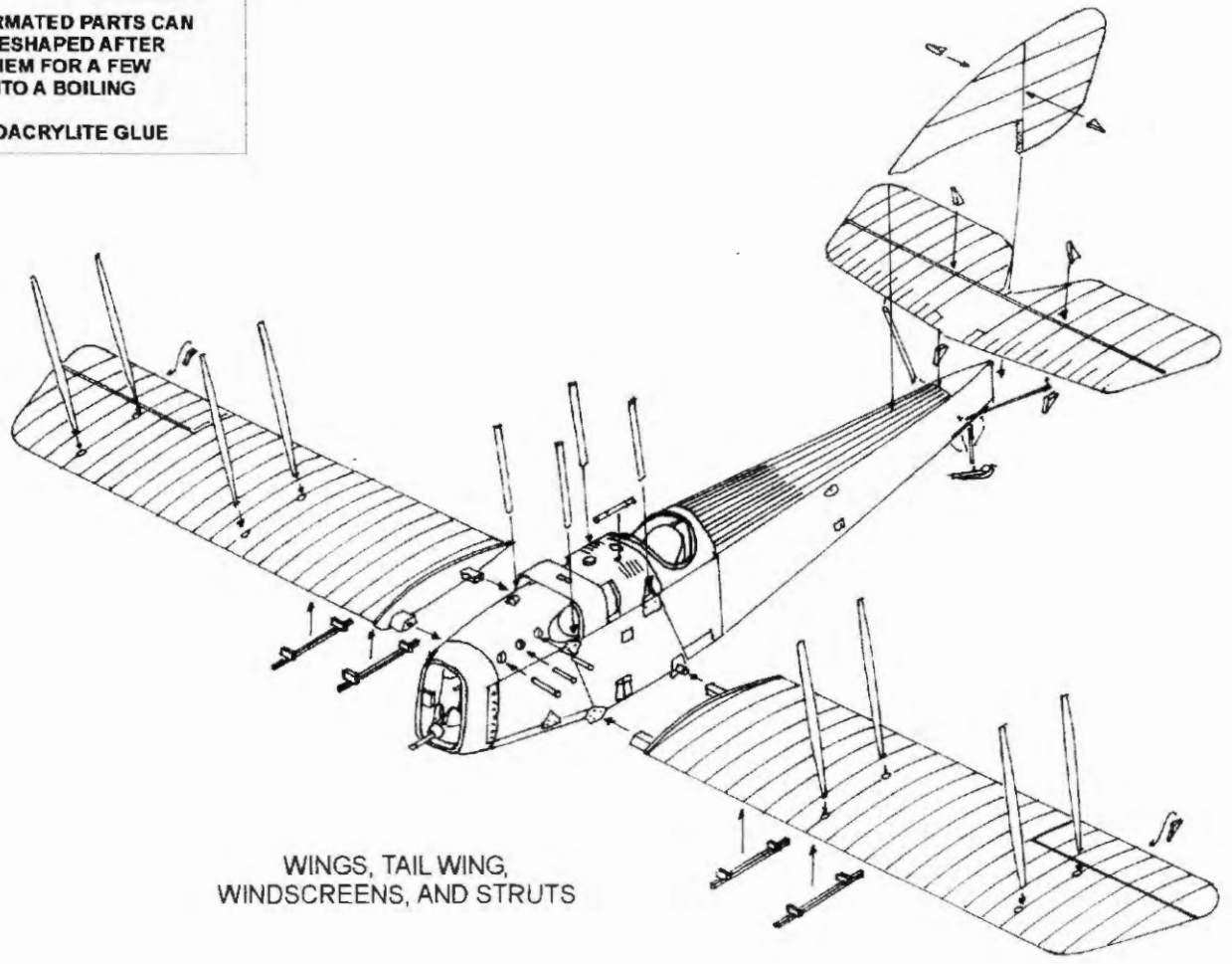
Span	11,59m
Length	8,24m
Height	3,10m
Wing area	24,46 sqm
Max speed	167 km/h
Climb to 915m in 3min 30sec	
Climb to 4880m in 40min 45sec	
Ceiling	4880m



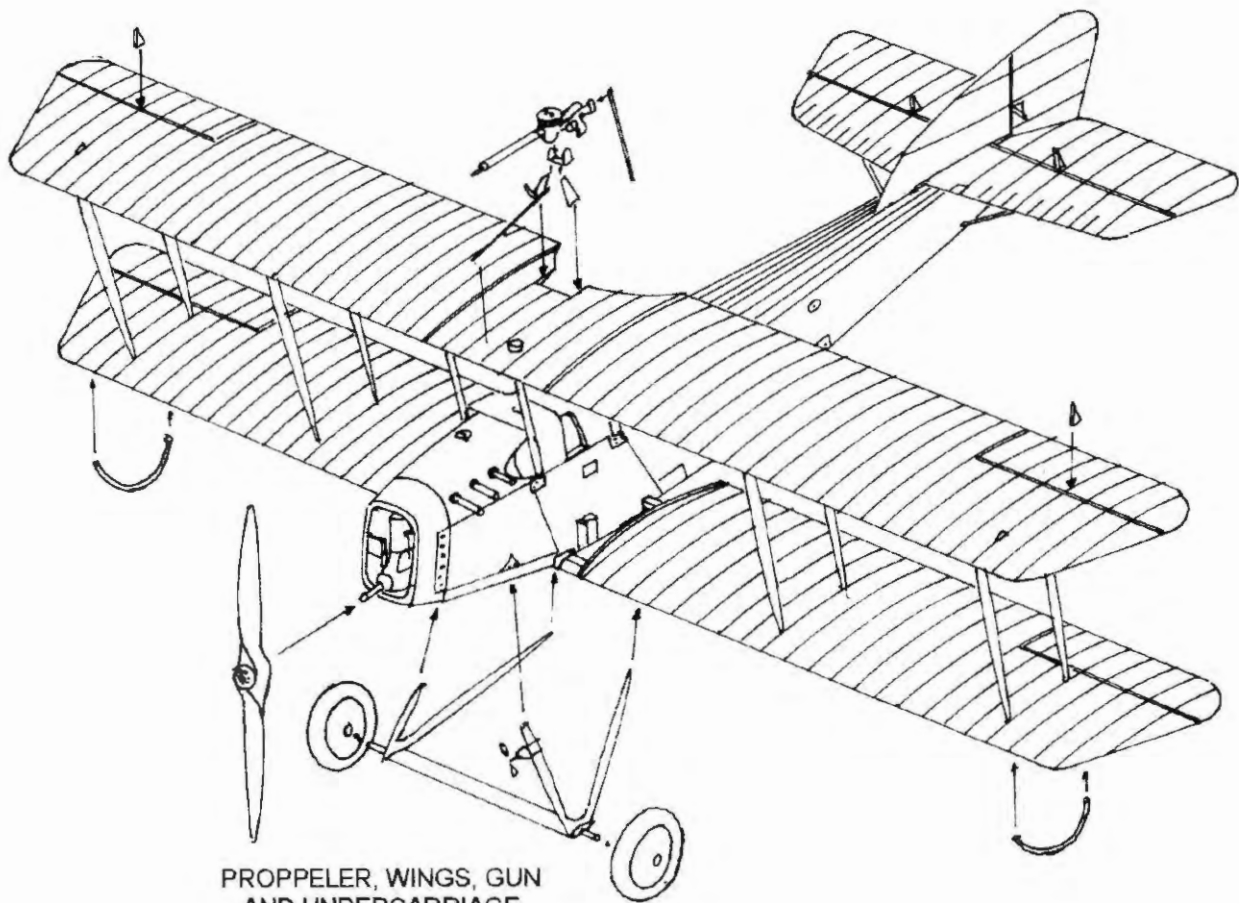
EQUIPMENT OF ASSEMBLY

NOTICE

- 1) ALL DEFORMED PARTS CAN BE EASY RESHAPED AFTER DIPPING THEM FOR A FEW SECOND INTO A BOILING WATER.
- 2) USE CYANOACRYLITE GLUE



WINGS, TAIL WING,
WINDSCREENS, AND STRUTS



PROPELLER, WINGS, GUN
AND UNDERCARRIAGE

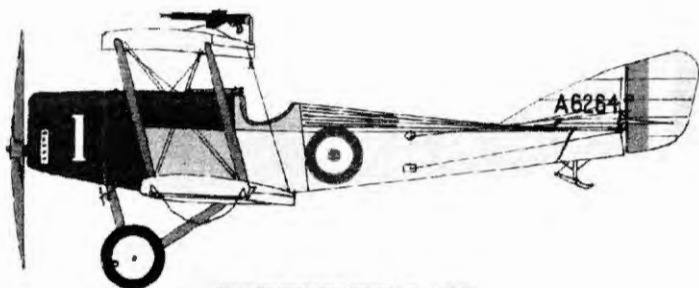
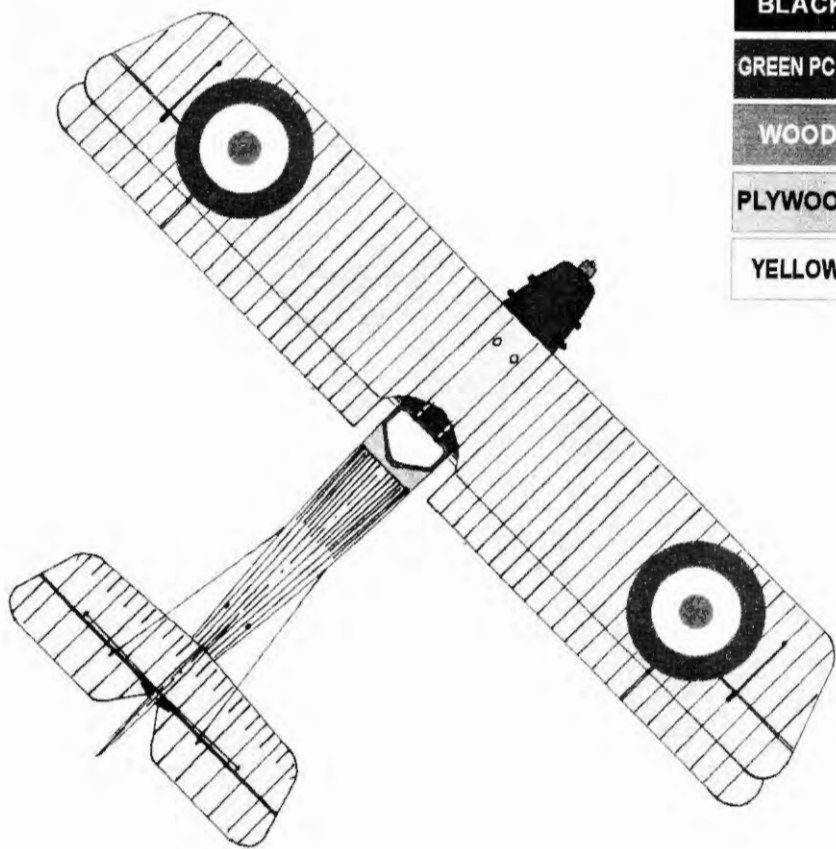
BLACK

GREEN PC 10

WOOD

PLYWOOD

YELLOW



**MARTINSYDE G 100
ELEPHANT**

© CHOROSZY MODELBU
2006

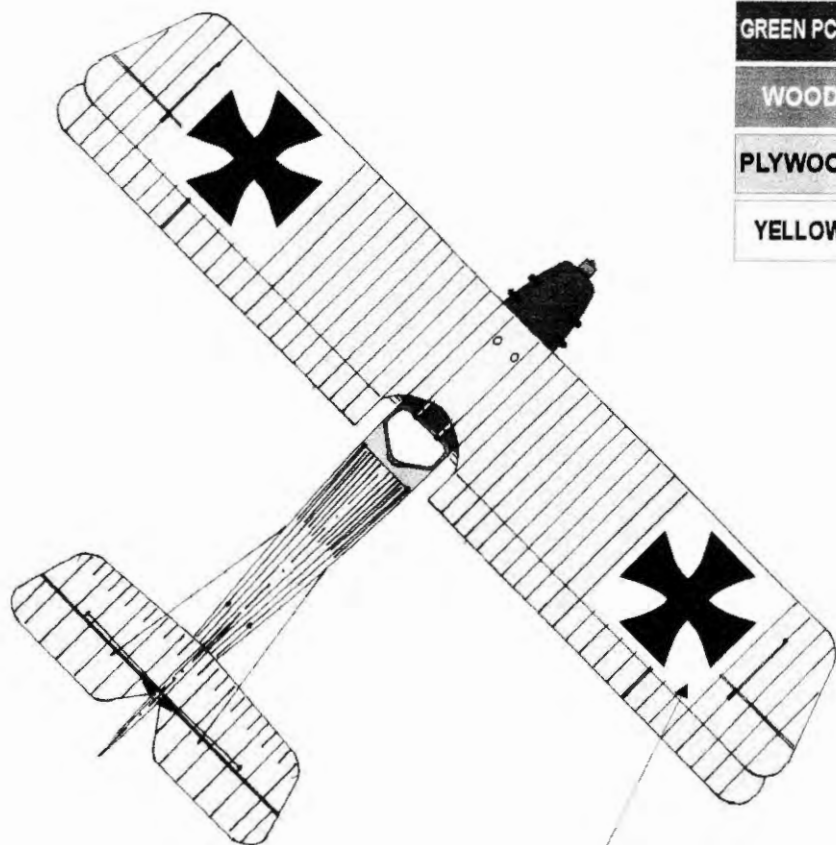
BLACK

GREEN PC 10

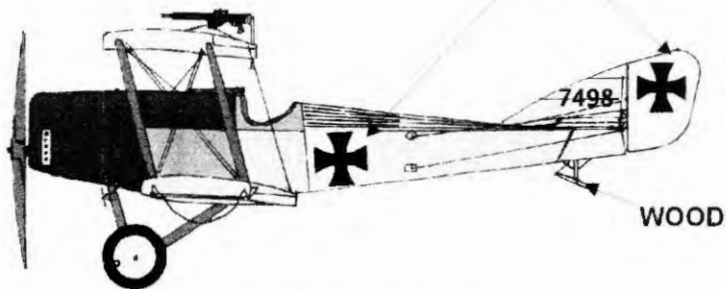
WOOD

PLYWOOD

YELLOW



WHITE



WOOD

**MARTINSYDE G 100
ELEPHANT**

© CHOROSZY MODELBUJ
2006

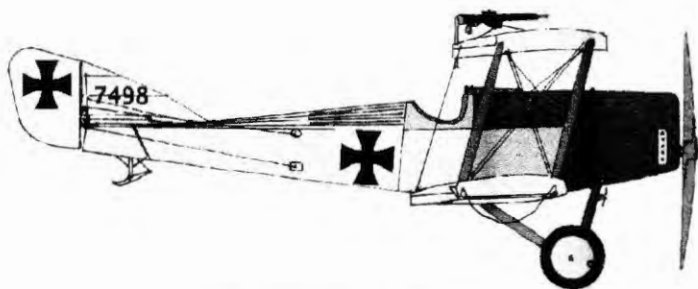
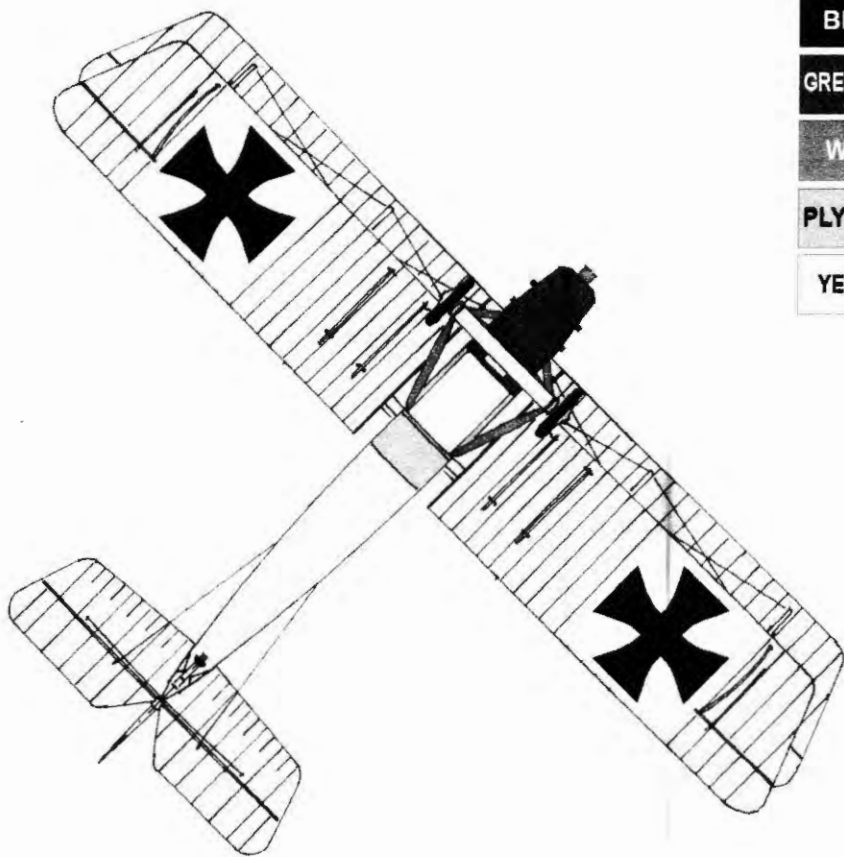
BLACK

GREEN PC 10

WOOD

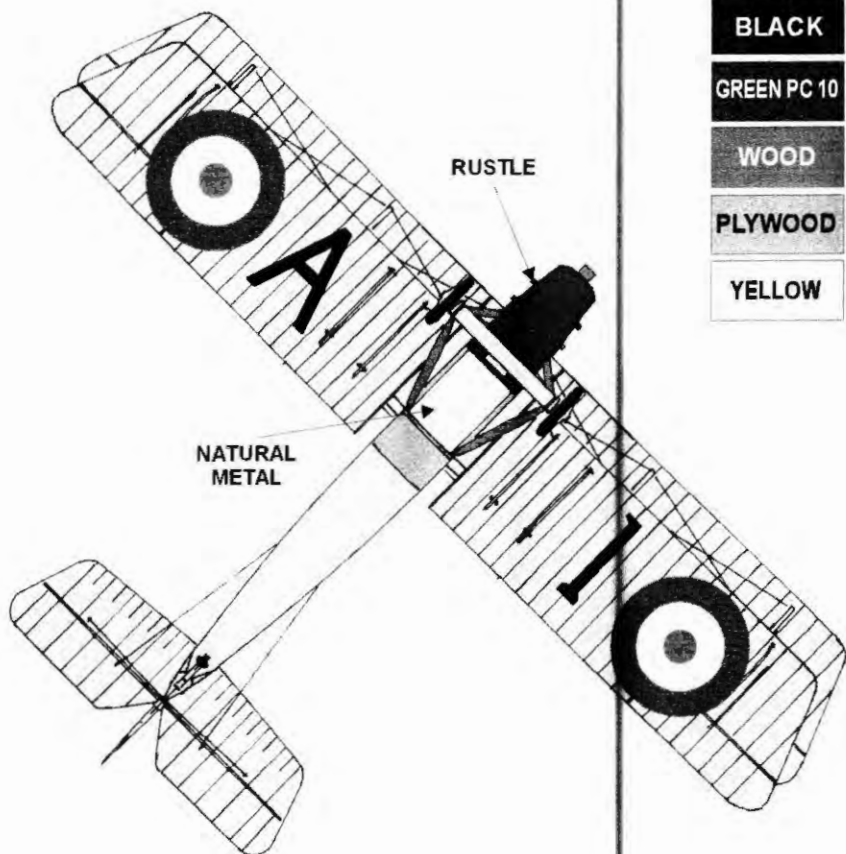
PLYWOOD

YELLOW



**MARTINSYDE G 100
ELEPHANT**

© CHOROSZY MODELBUĐ
2006



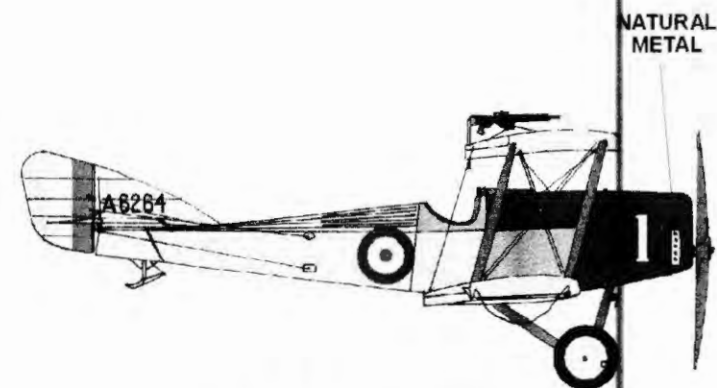
BLACK

GREEN PC 10

WOOD

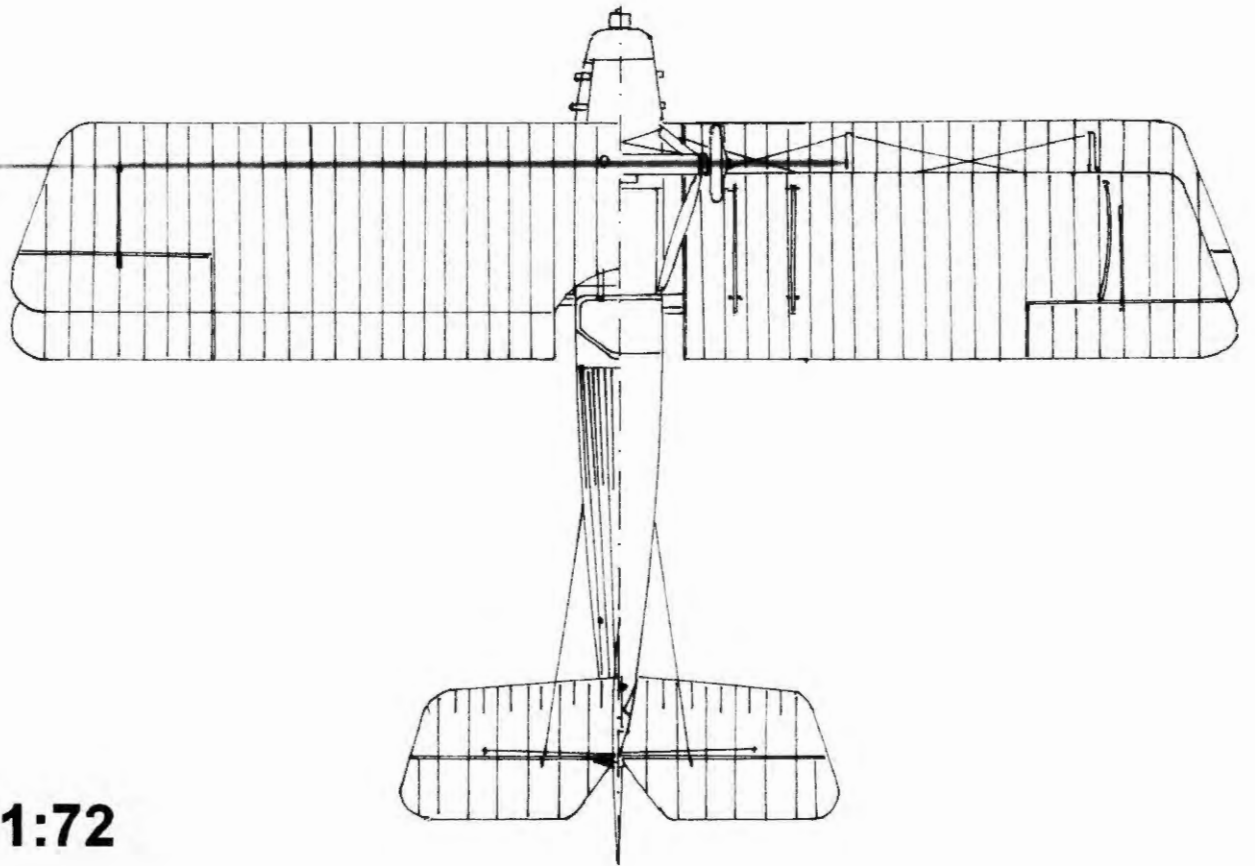
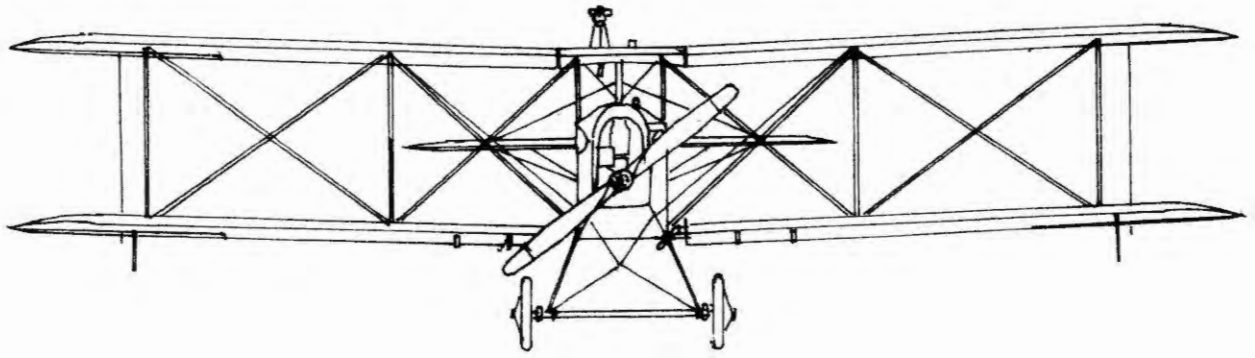
PLYWOOD

YELLOW



**MARTINSYDE G 100
ELEPHANT**

© CHOROSZY MODELBUJ
2006



1:72

**MARTINSYDE G 100
ELEPHANT**

