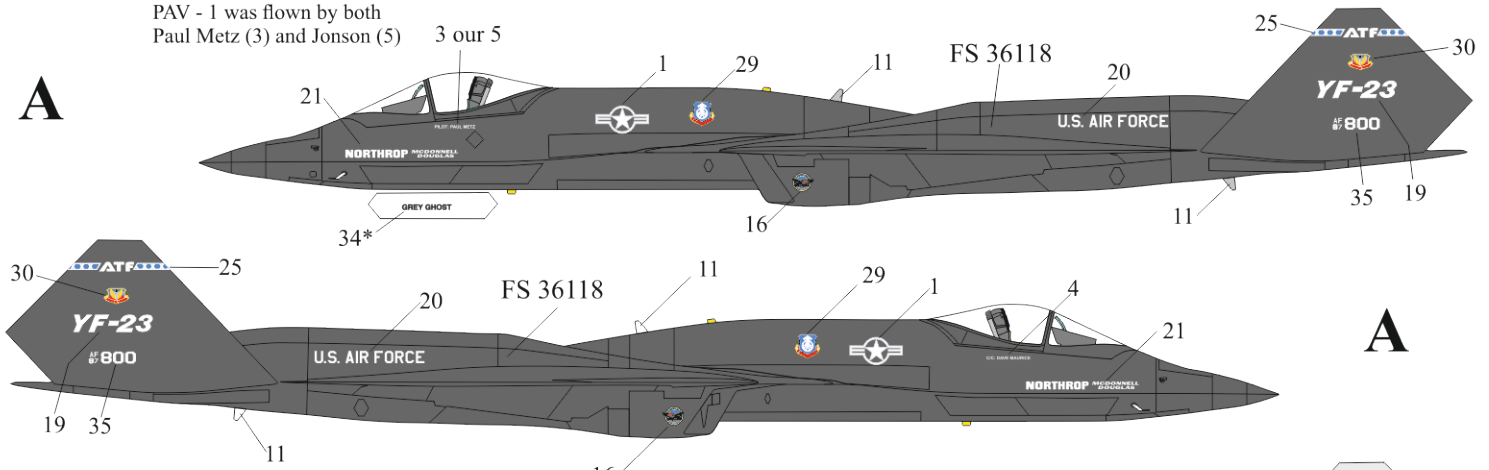


# 1/48 YF-23 Black Widow II

PAV - 1 was flown by both Paul Metz (3) and Jonson (5)

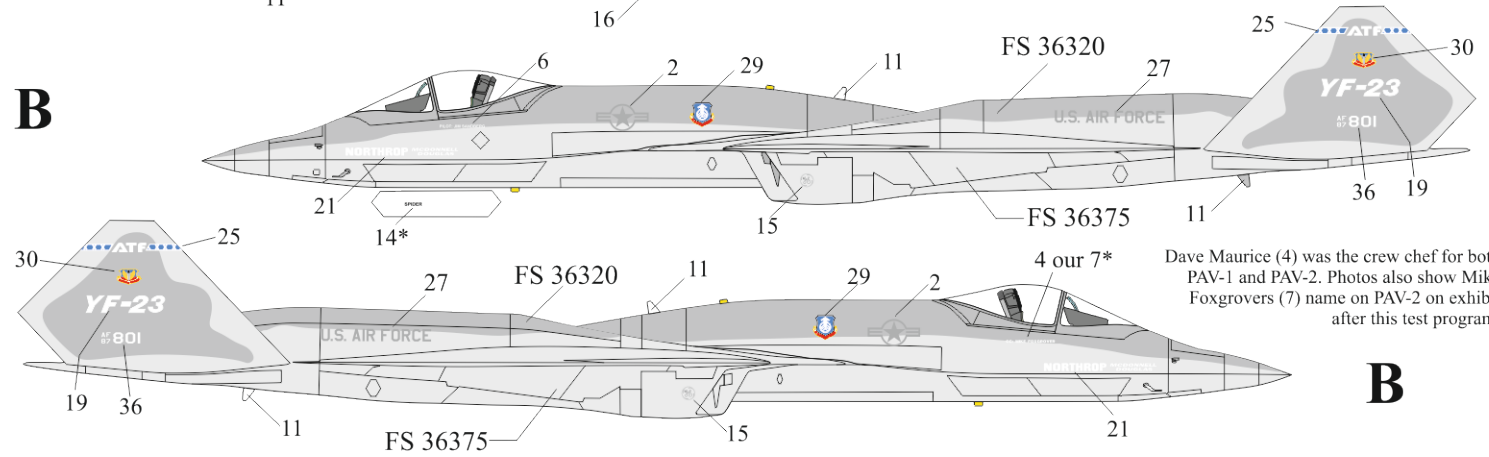
3 our 5

**A**



**A**

**B**



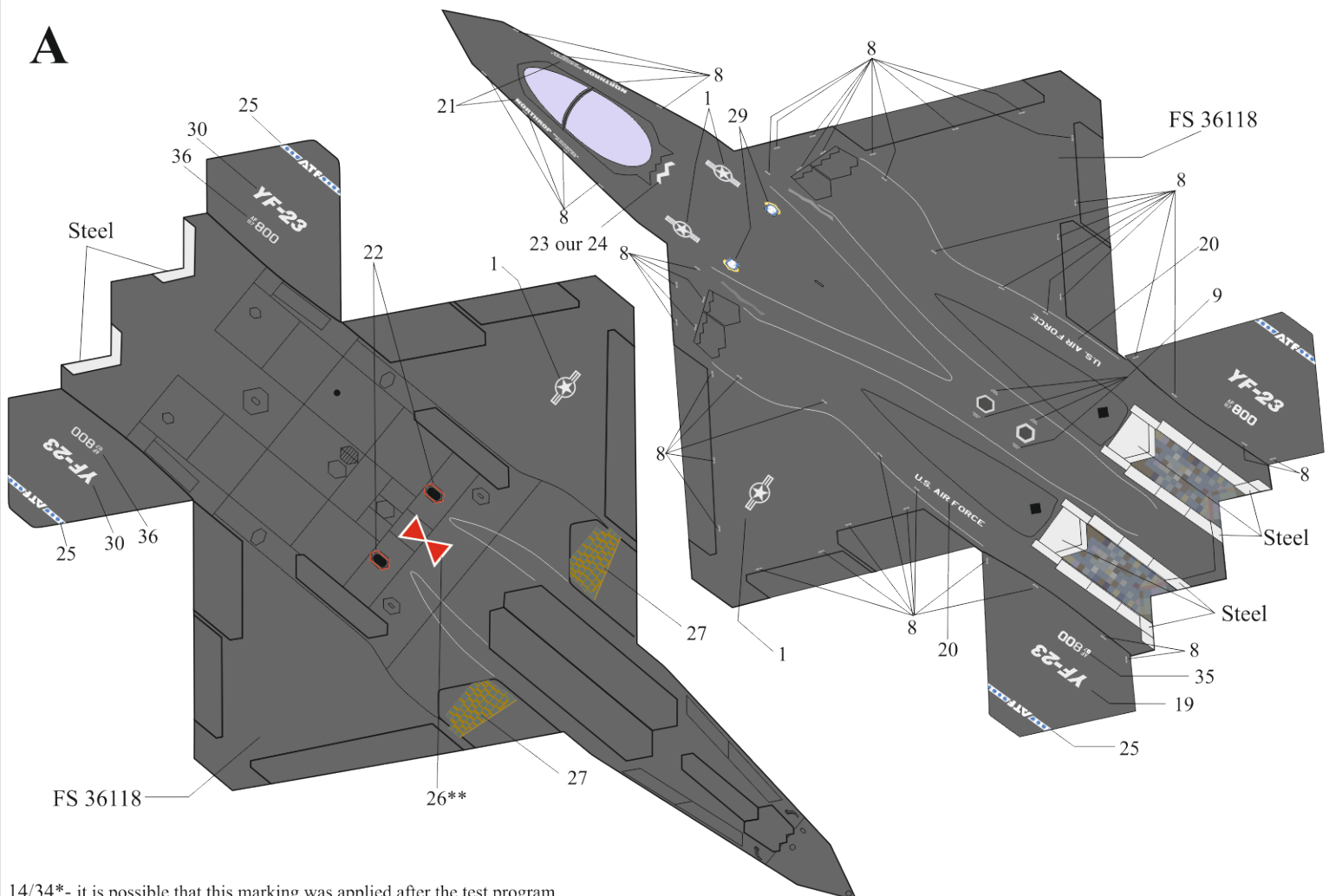
**B**

Dave Maurice (4) was the crew chef for both PAV-1 and PAV-2. Photos also show Mike Foxgrovers (7) name on PAV-2 on exhibit after this test program.

[www.uprise-decal.ru](http://www.uprise-decal.ru)

UR48200 YF-23 Black Widow II

**A**

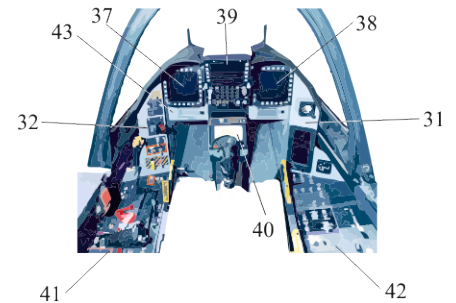
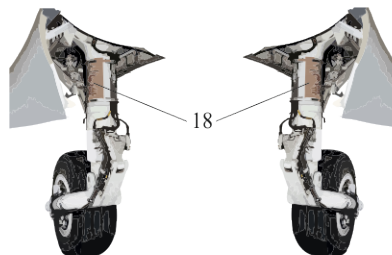
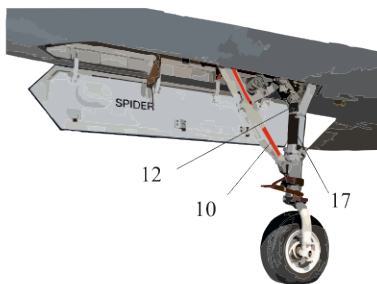
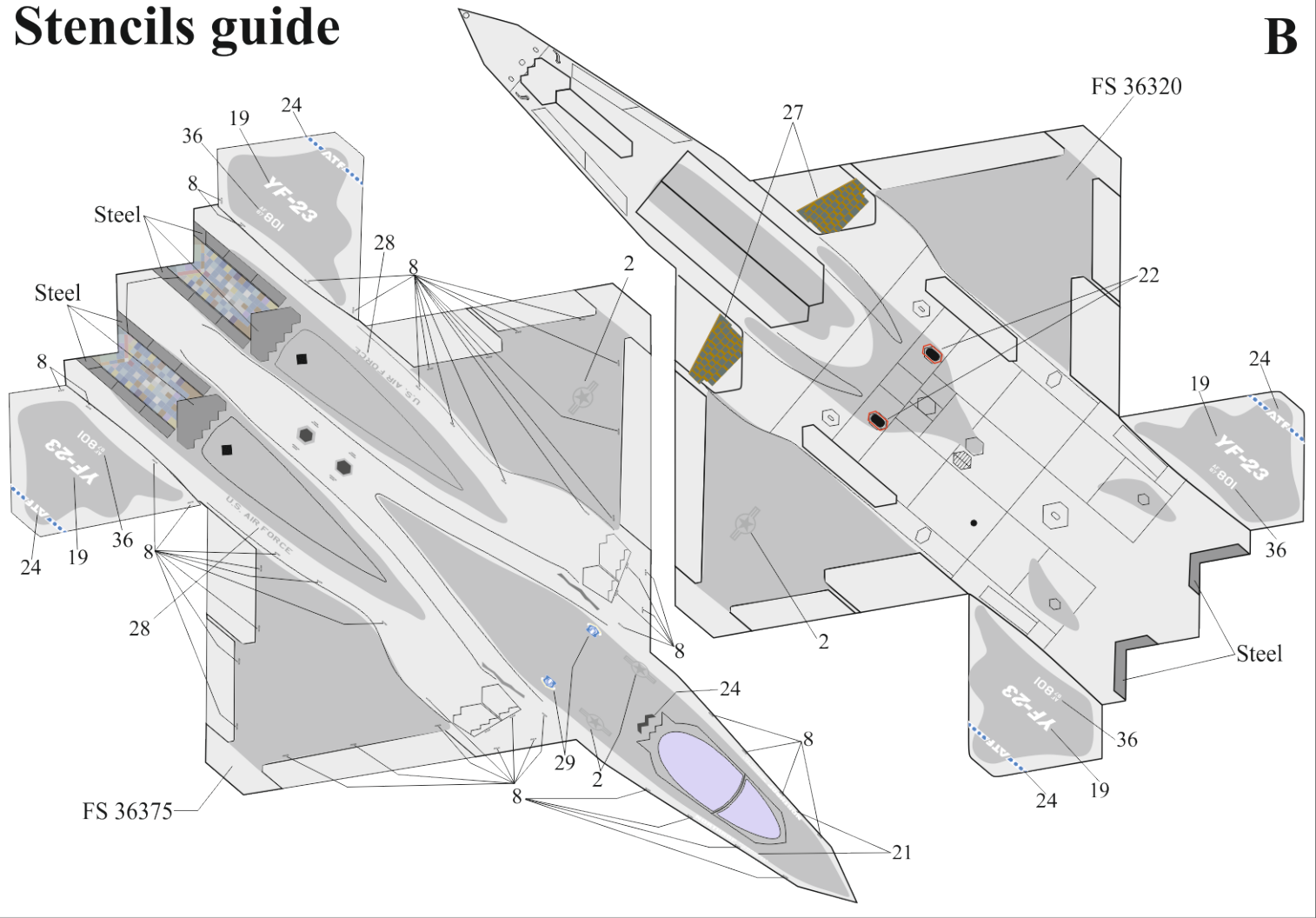


14/34\*- it is possible that this marking was applied after the test program.

26\*\* - this item has been worn for a short time.

# Stencils guide

**B**



## Description

A. YF-23 (87-0800).Prototype Air Vehicle -1 (PAV-1), 1990.

B. YF-23 (87-0801).Prototype Air Vehicle -1 (PAV-2), 1990.

Main design of the guide and decal set made by Vitaly Smal'kov, Russia, 2022.