

THE
SUPER
SCALE
INTERNATIONAL
MAN

1:48 Scale

MS481236

P-47D Thunderbolt

Republic P-47D Thunderbolt
Bubbletops

395th FS & 397th FS/ 368th FG




Squadron Products

Printed by Cartograf



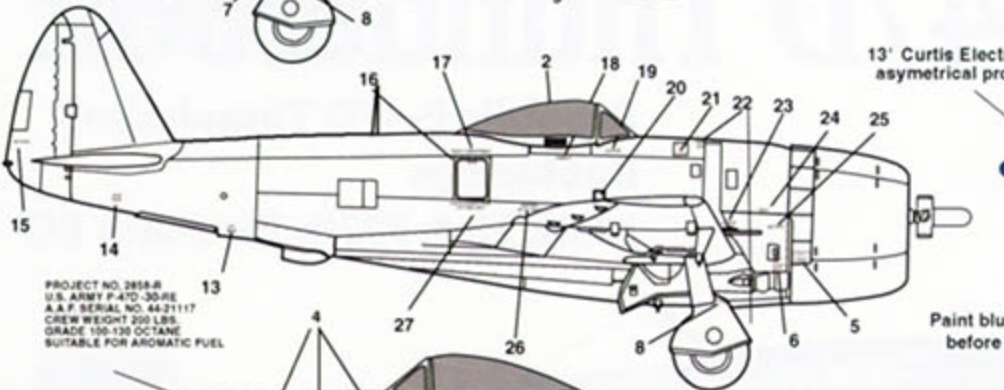
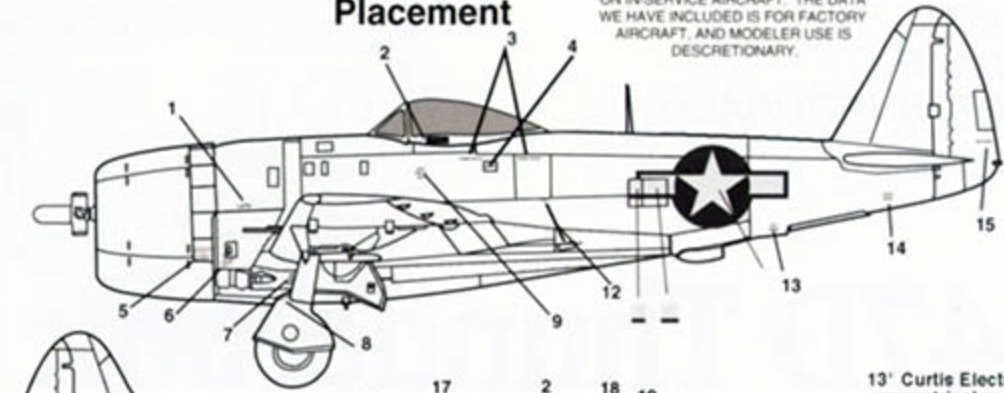
SuperScale Decal No. MS481236

P-47D Bubbletop Thunderbolts

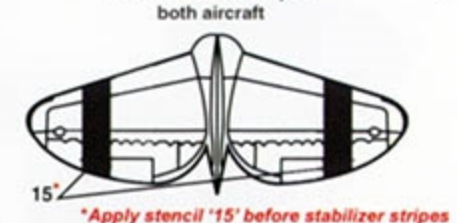
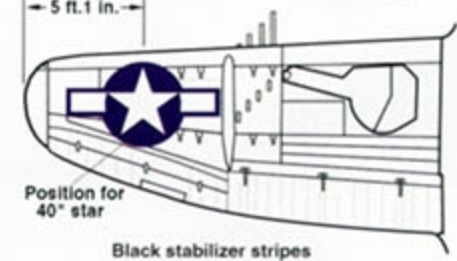
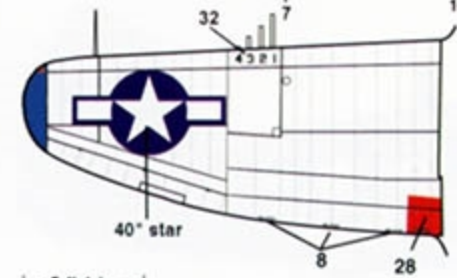
395th FS & 397th FS/ 368th FG

Data Placement

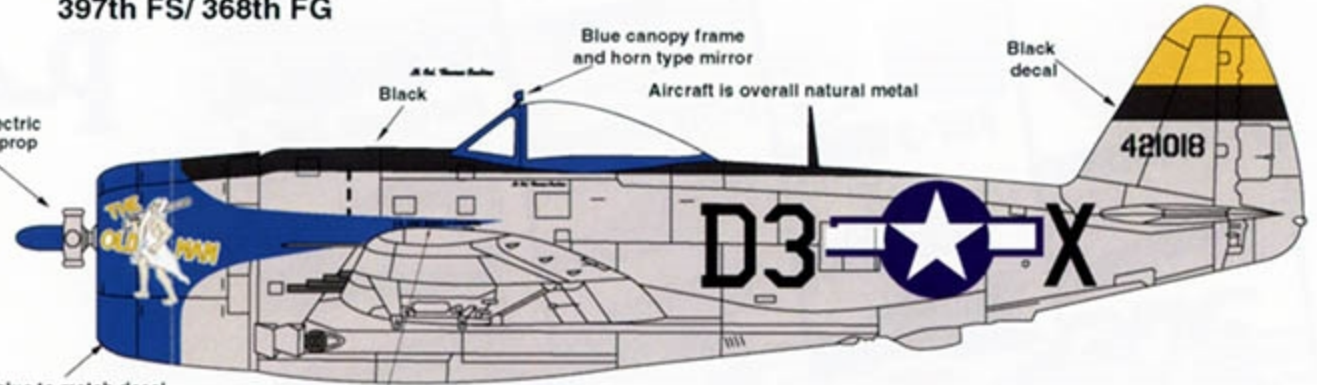
NOTE: USE OF DATA VARIED WIDELY ON IN-SERVICE AIRCRAFT. THE DATA WE HAVE INCLUDED IS FOR FACTORY AIRCRAFT, AND MODELER USE IS DISCRETIONARY.



PROJECT NO. 3858-R
U.S. ARMY P-47D-30-RE
A.A.F. SERIAL NO. 44-21117
CREW WEIGHT 250 LBS.
GRADE 100-130 OCTANE
SUITABLE FOR AROMATIC FUEL



P-47D-30-RE s/n 44-21018
"The Old Man"
 Pilot Lt. Col. Thomas Carbine 397th CO
 397th FS/ 368th FG



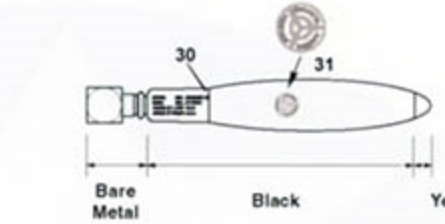
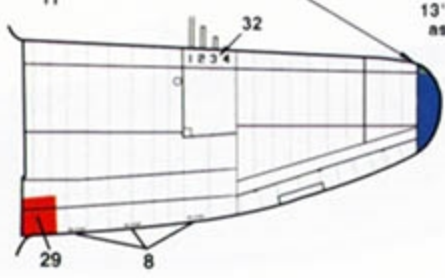
13' Curtis Electric asymmetrical prop

Paint blue to match decal before applying decal

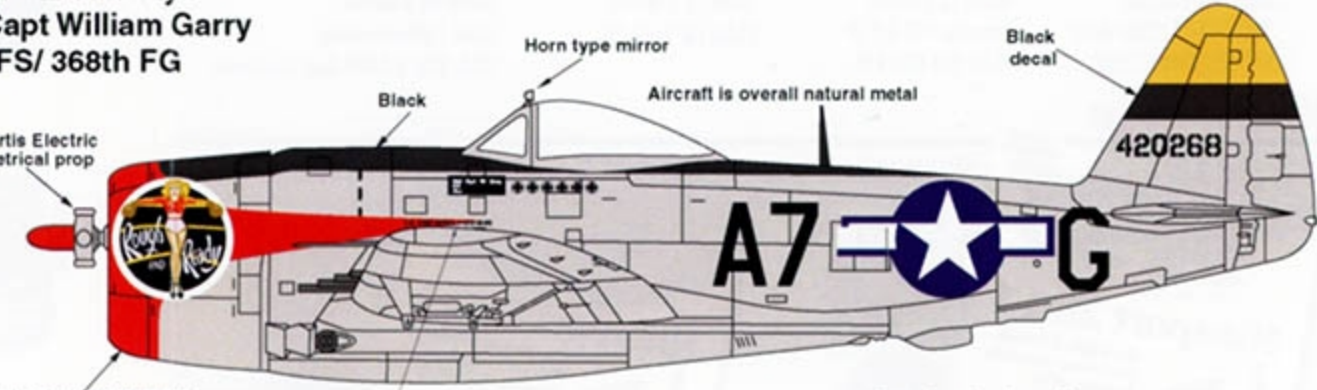
Apply data block first, then apply blue stripe over it. Check above to see the part of the data block covered by the blue stripe.

P-47D-28-RE s/n 44-20268
"Rough and Ready"
 Pilot Capt William Garry 395th FS/ 368th FG
 6 kills

The Old Man has blue wing tips top & bottom both wings



Bare Metal Black Yellow
 Curtiss Electric 13' Symmetrical Propeller



Paint red to match decal before applying decal

Apply data block first, then apply red stripe over it. Check above to see the part of the data block covered by the red stripe.

Note both aircraft:
 Apply the stripe in one piece
 When set, slice the decal at the rear edge of the engine cowl.
 With a wet brush press down the decal at the slice.

Research:
 Norris Graser

References

www.368thfightergruop.com
 SECOND TO NONE
 The History of the 368th Fighter Group, Grace, 2006
 "Thunderbolt", The Republic P-47 Thunderbolt in the European Theater
 By Ernest R. McDowell, Squadron /Signal Publ.
 Ken Kik and Tim Grace

Recommended kit
 Tamiya P-47D Bubbletop
 TM61090

Color Reference

