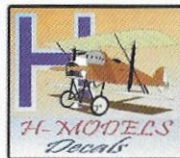




Avia S-199



Avia S-199

HMD72063

"The Mule" in the Czechoslovak and Israeli service



Ve spolupráci s Nakladatelstvem 4+
In co-operation with 4+ Publishing Co.

1. Apply gloss cote to model surface
2. Cut out the needed detail from the sheet.
3. Submerge the decal completely in lukewarm water for 10 sec.
4. Put the wet decal on-plotting base and allow it soften completely.
- 5: Place the decal together with the base paper on the model. We recommended use decal solutions(Setter, Softer)Keep paper by tweezers and remove decal carefully to model surface. In case that the decal was placed incorrectly, add water with a brush on the border of the decal.
6. If the decal is located on the right place, press it with a soft cloth to eliminate all water and air bubbles.
7. Allow the decal dry well.

H-Models Decals
Gustav Hýbner
Na zápraží 408/3, Liberec 3, 460 01
www.ghstudio.net
ghstudio@ghstudio.net
nmodels@volny.cz

MADE IN CZECH REPUBLIC



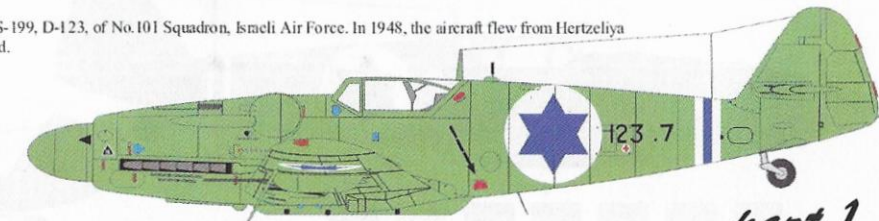
Avia S-199.458 (Aero-built), B-0235, of the 2nd Squadron, 51st Air Regiment, Czechoslovak Air Force, based at Plzeň-Bory airfield. It was written-off on 15 July 1952.



Avia S-199.340 (Aero-built), B-0431 of the 3rd Squadron, 51st Air Regiment, Czechoslovak Air Force. The aircraft crashed at Zvole airfield on 30 July 1952. Although then already in service with the Air Force, the aircraft still wears the original Police Air Patrol colour scheme and markings.



Avia S-199.178 (Avia-Built), OK-BYW, of the Czechoslovak Police Air Force in 1949. At one time it was reported to operate from Prague-Ruzyně airport.



Avia S-199, D-123, of No.101 Squadron, Israeli Air Force. In 1948, the aircraft flew from Hertzeliya airfield.

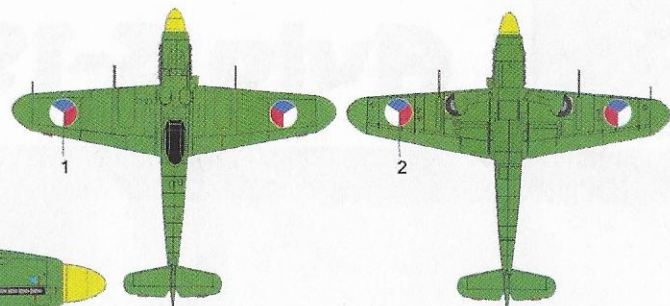
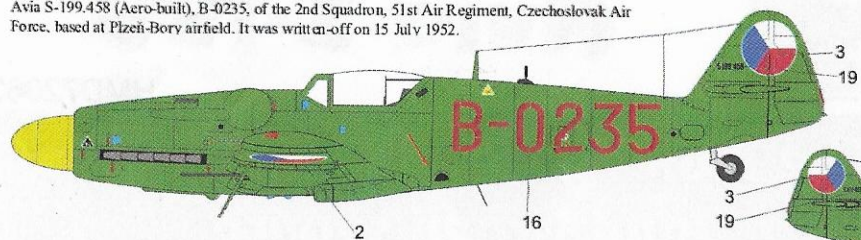
Stencils for two aircraft are included in the decal set

Limited series only 200 pcs!

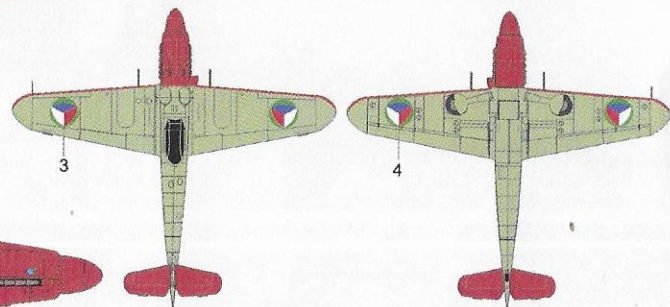
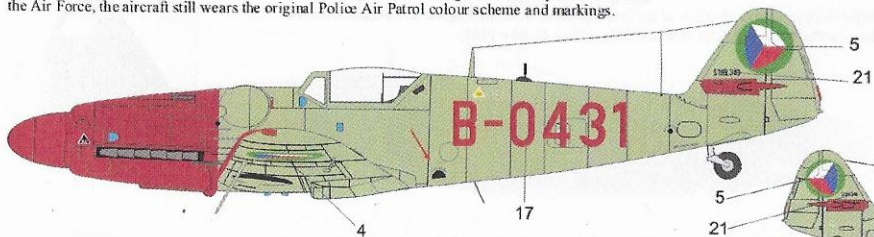
part 1

HMD72063

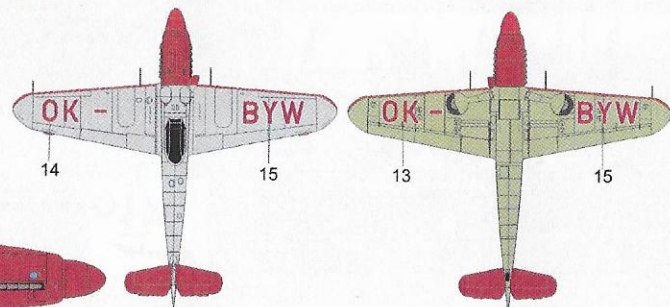
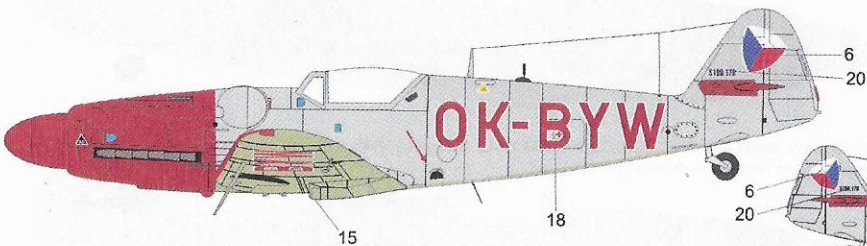
Avia S-199.458 (Aero-built), B-0235, of the 2nd Squadron, 51st Air Regiment, Czechoslovak Air Force, based at Plzeň-Bory airfield. It was written-off on 15 July 1952.



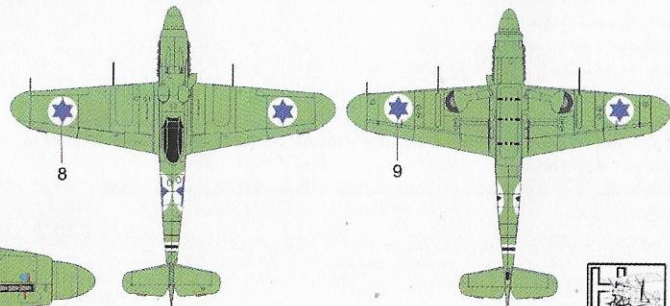
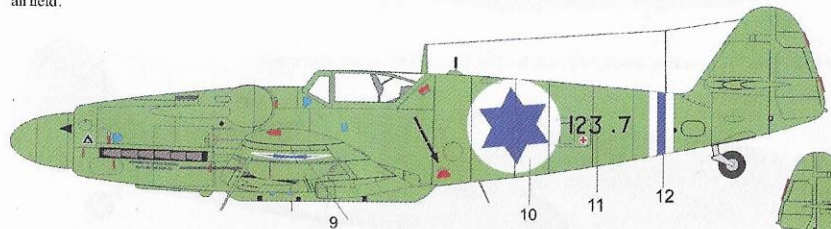
Avia S-199.340 (Aero-built), B-0431 of the 3rd Squadron, 51st Air Regiment, Czechoslovak Air Force. The aircraft crashed at Zvoleň airfield on 30 July 1952. Although then already in service with the Air Force, the aircraft still wears the original Police Air Patrol colour scheme and markings.



Avia S-199.178 (Avia-Built), OK-BYW, of the Czechoslovak Police Air Force in 1949. At one time it was reported to operate from Prague-Ruzyně airport.

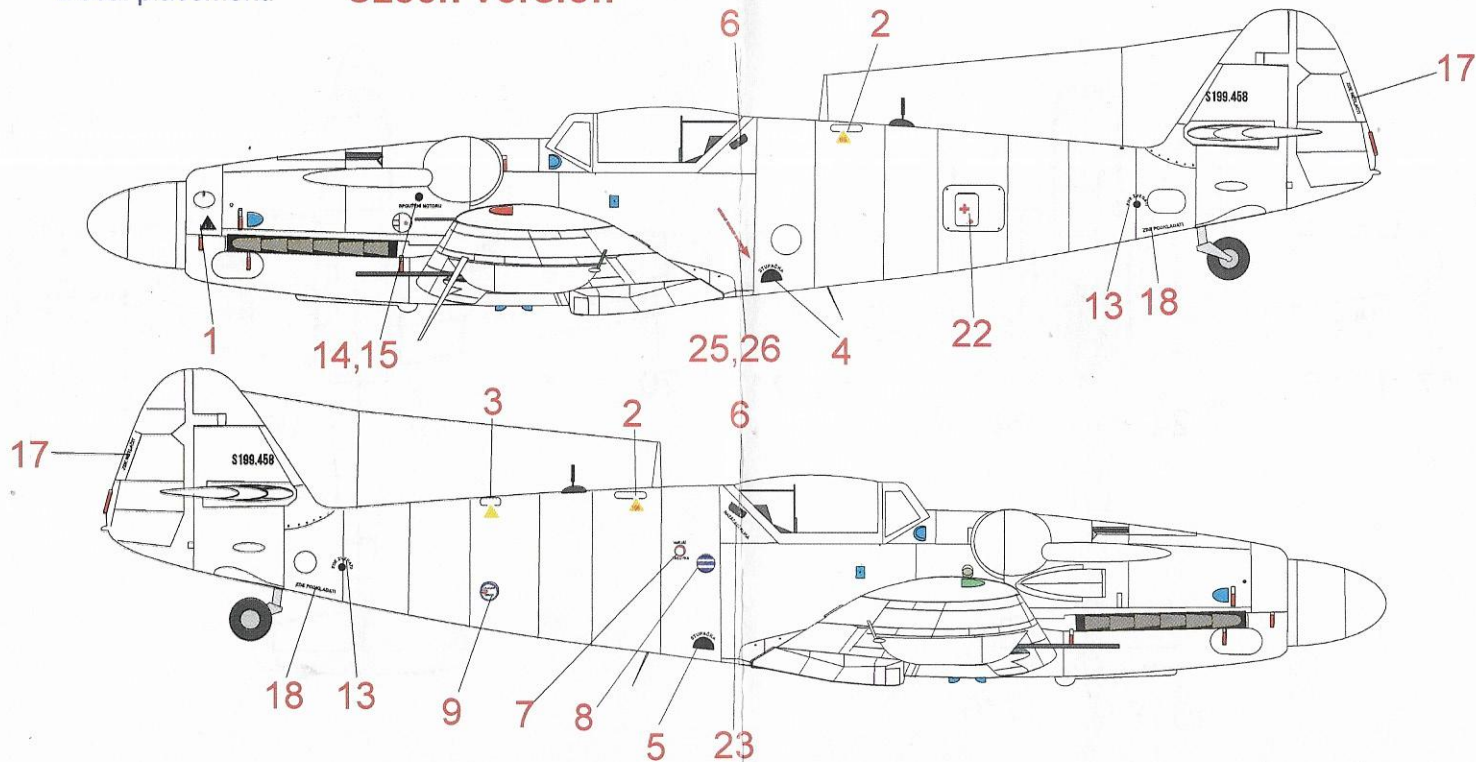


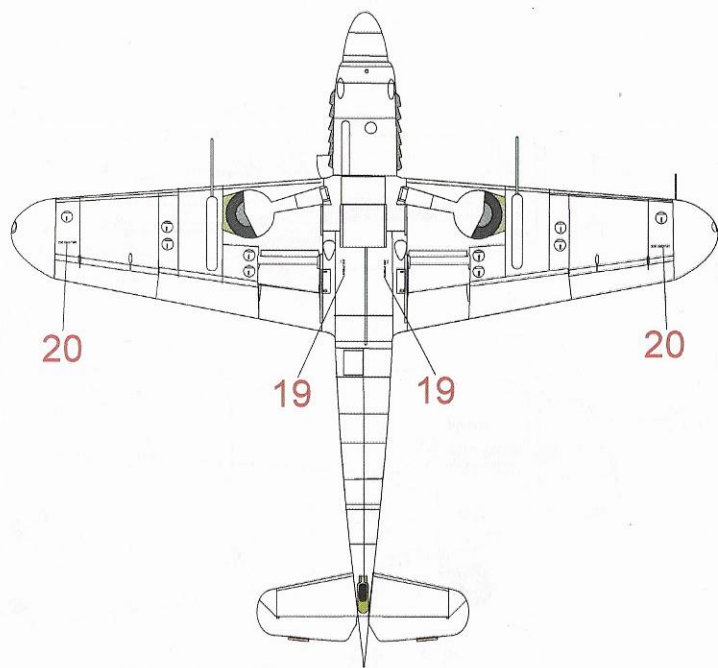
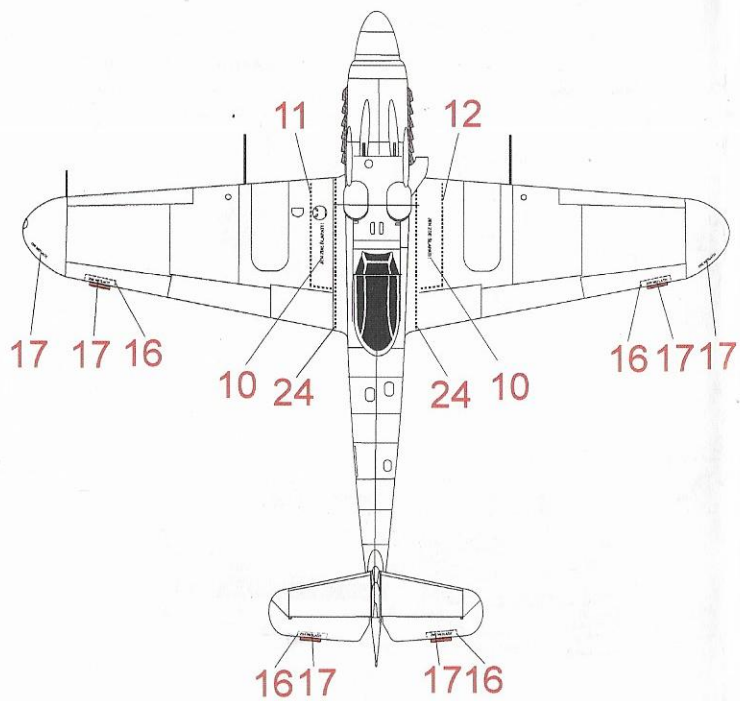
Avia S-199, D-123, of No.101 Squadron, Israeli Air Force. In 1948, the aircraft flew from Hertzeliya airfield.



Avia S-199

Decal placement: **Czech version**





Avia S-199

Decal placement: **Israel version**

