

Pz.Kpfw.I Ausf.A & Pz.Kpfw.I Ausf.B

1+1



JASON 2021



TAKOM

03.02.2145

1/35
No.2145

READ BEFORE ASSEMBLY

CAUTION

- Read carefully and fully understand the instructions before commencing assembly. A supervising adult should also read the instructions if a child assembles the model.
- When assembling this kit, tools including knives used. Extra care should be taken to avoid personal injury.
- Keep out of reach of small children. Children must not be allowed to suck any part, or pull vinyl bag over their heads.



Be Careful



Instant Glue for Metal



Remove



Optional



Fill Holes



Drill

PAINTS REQUIRED

Color info and profiles by Mig Jimenez

A.MIG-0033 Rubber & Tires

A.MIG-0035 Dark Tracks

A.MIG-0045 Gun Metal

A.MIG-0041 Dark Rust

A.MIG-0195 Silver

A.MIG-0008 RAL 7021 Olivgrun opt.1

A.MIG-0007 RAL 7017 Dunkelbraun

A.MIG-0038 Old Wood

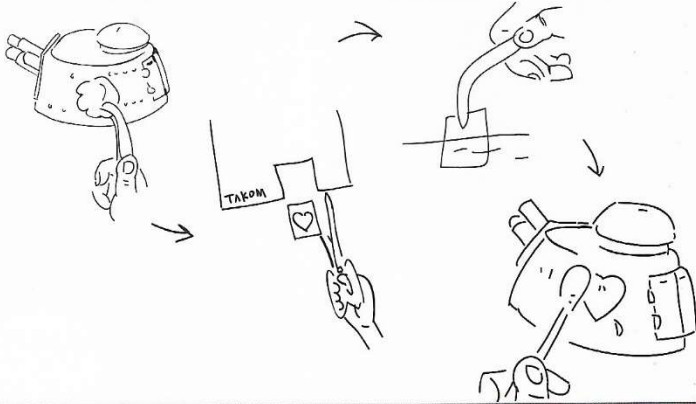
A.MIG-0093 Crystal Red

A.MIG-0050 Matt Black

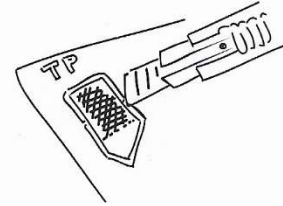
A.MIG-0015 RAL 8000 Gelbbräun

APPLYING DECALS

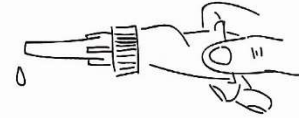
1. Clean the model surface with a wet cloth.
2. Cut out each decal design from sheet, and dip it in tepid water for 15-20 sec.
3. Hold the backing sheet edge and slide decal onto the model.
4. Move decal into position by wetting decal with finger.
5. Press decal gently down with a soft cloth until excess water and air bubbles are gone.



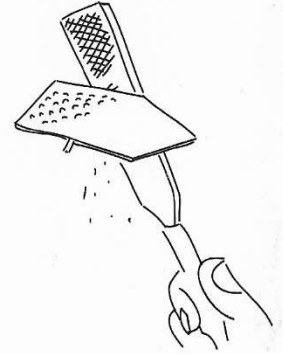
REMOVING PE



Be careful not to hurt when removing PE parts.

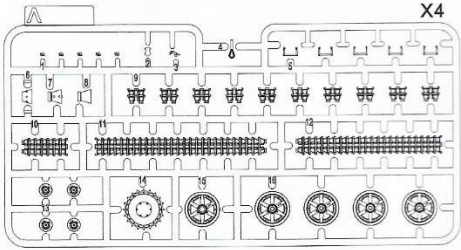
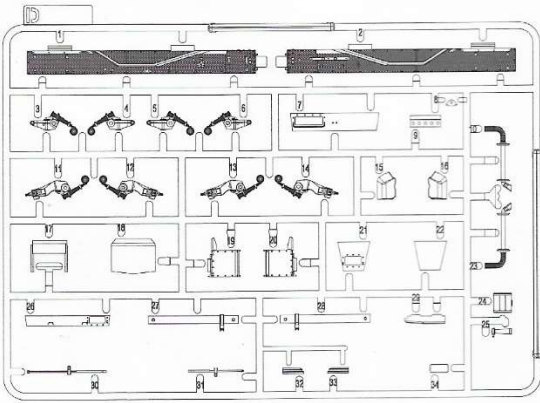


Secure using instant glue (not included).

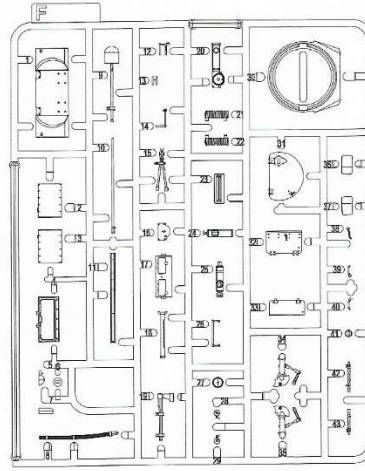
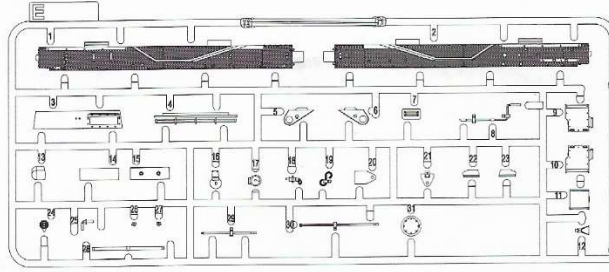
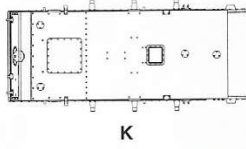
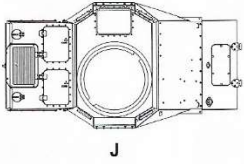


Finish using file.

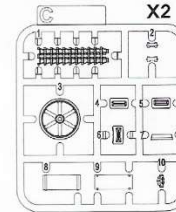
PARTS



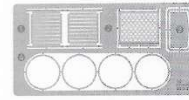
Cable



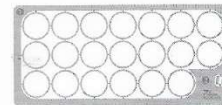
X2



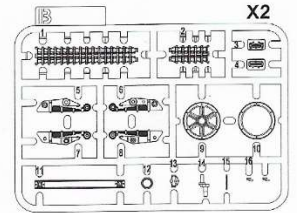
X2



TP



TPc X2



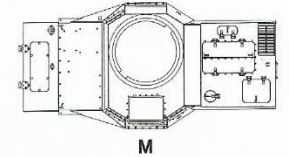
X2



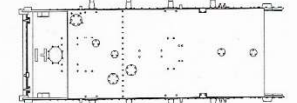
H



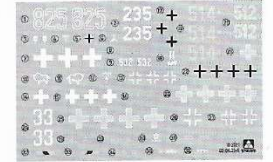
G



M

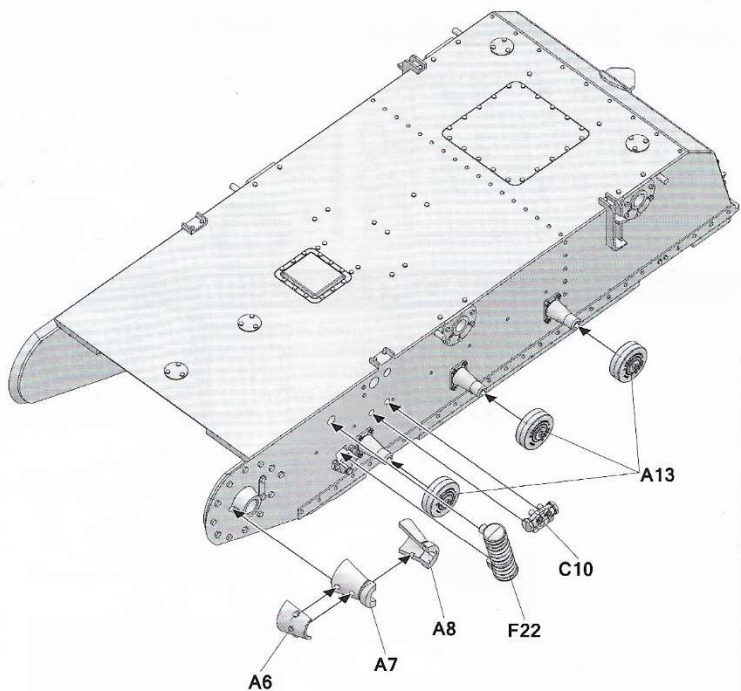


L

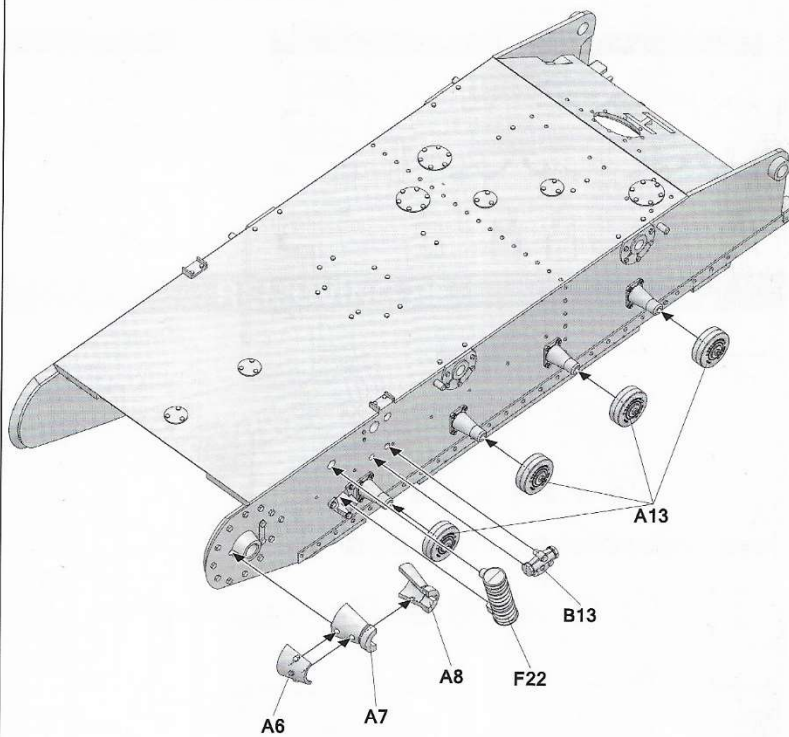


Decal

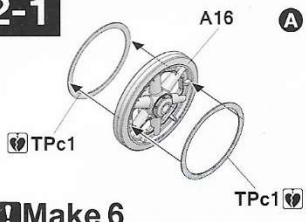
1-1



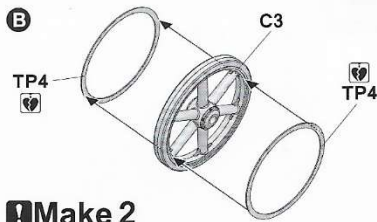
1-2



2-1

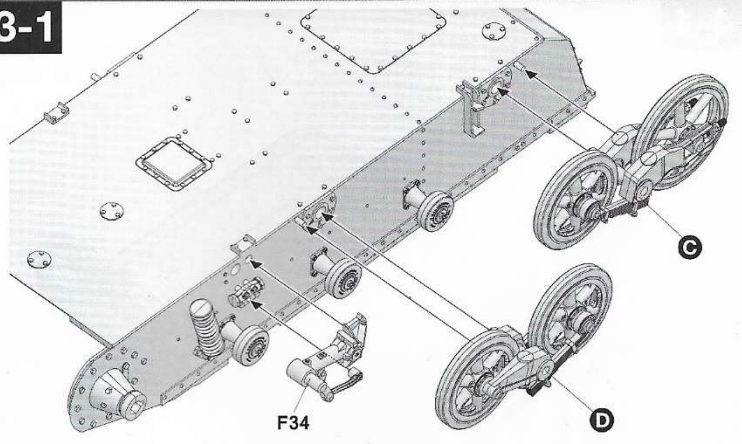


Make 6

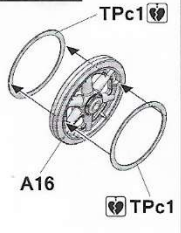


Make 2

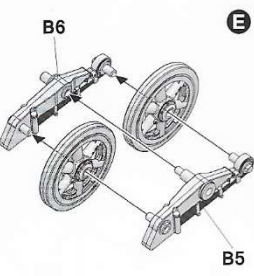
3-1



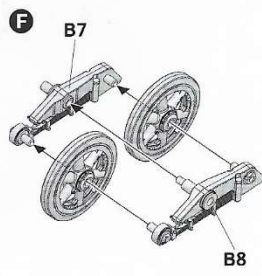
2-2



Make 8

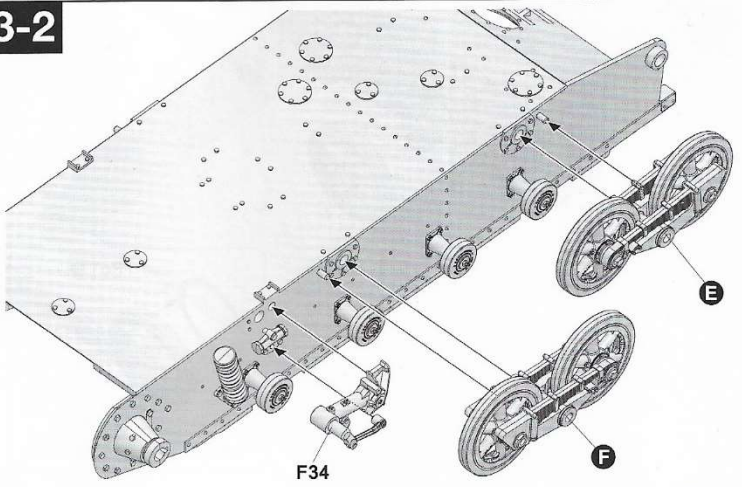


Make 2

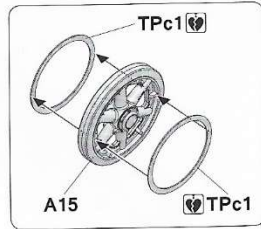
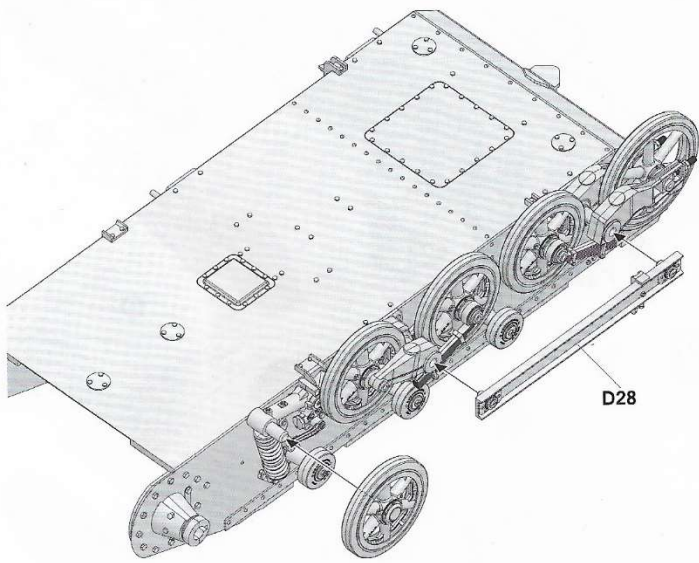


Make 2

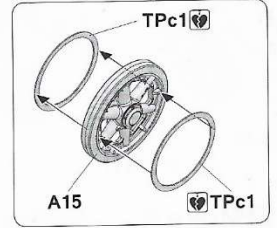
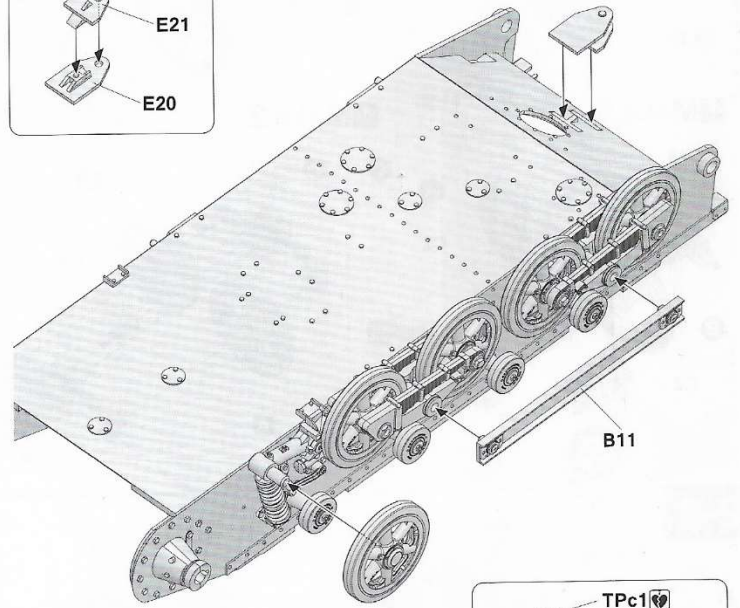
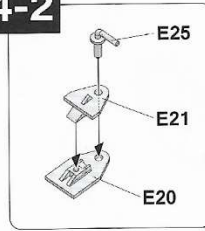
3-2



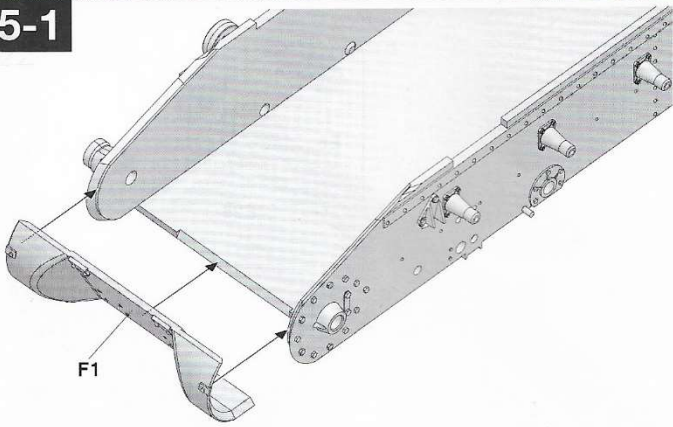
4-1



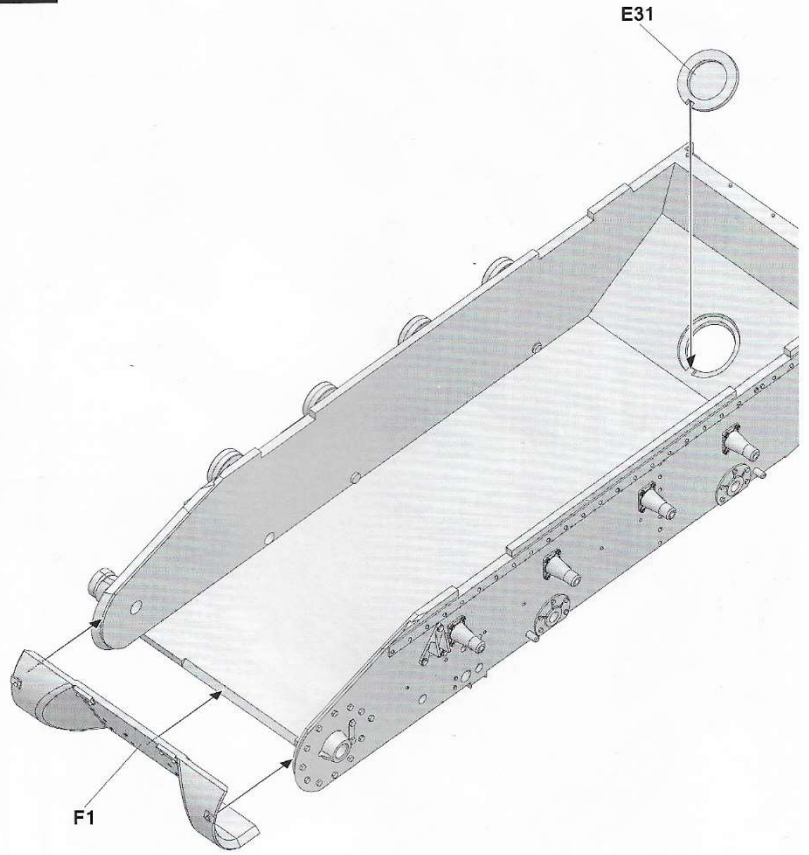
4-2



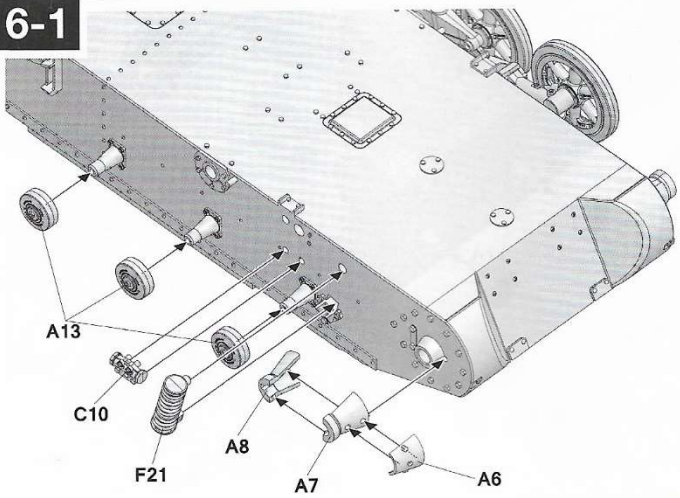
5-1



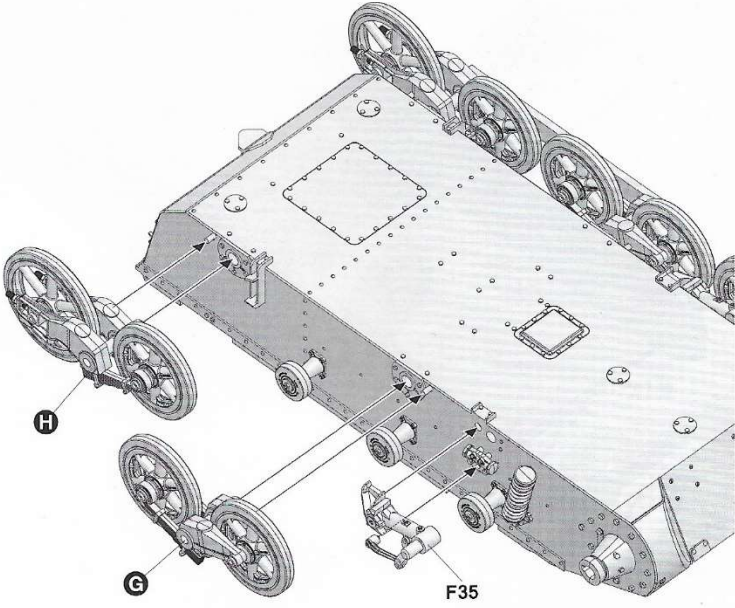
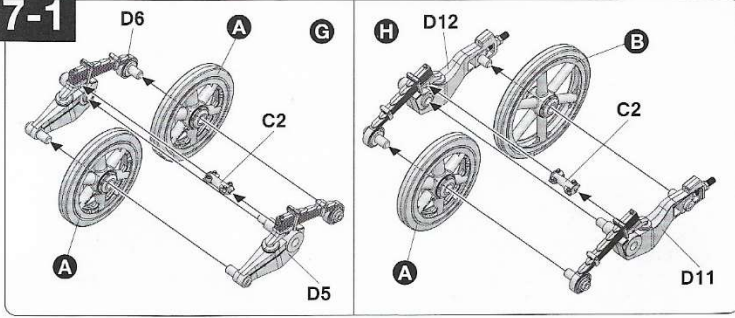
5-2



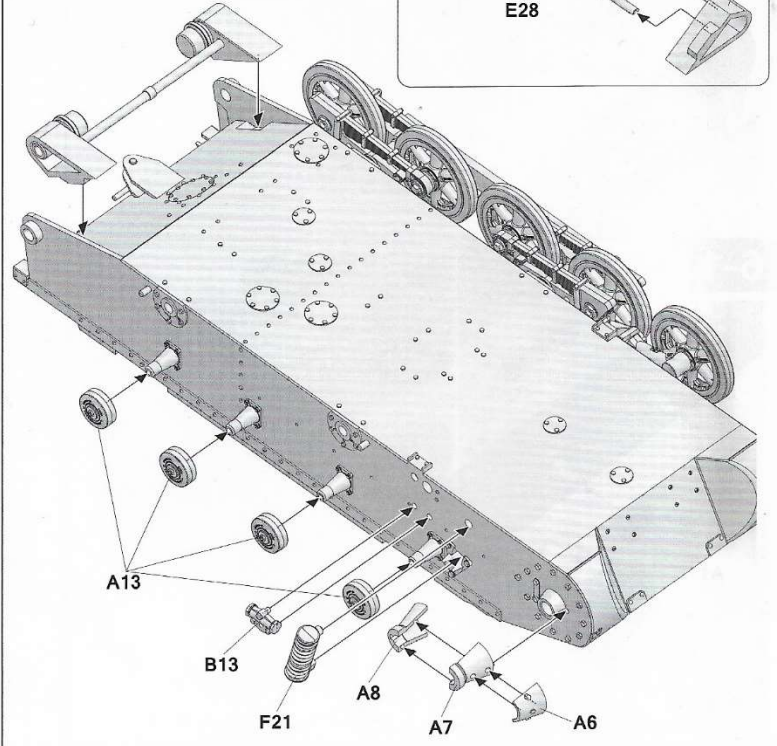
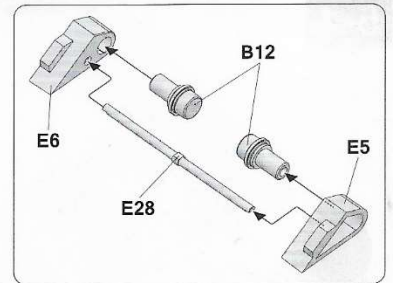
6-1



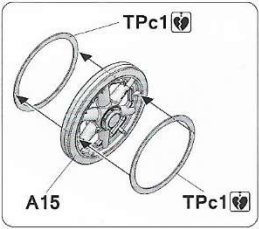
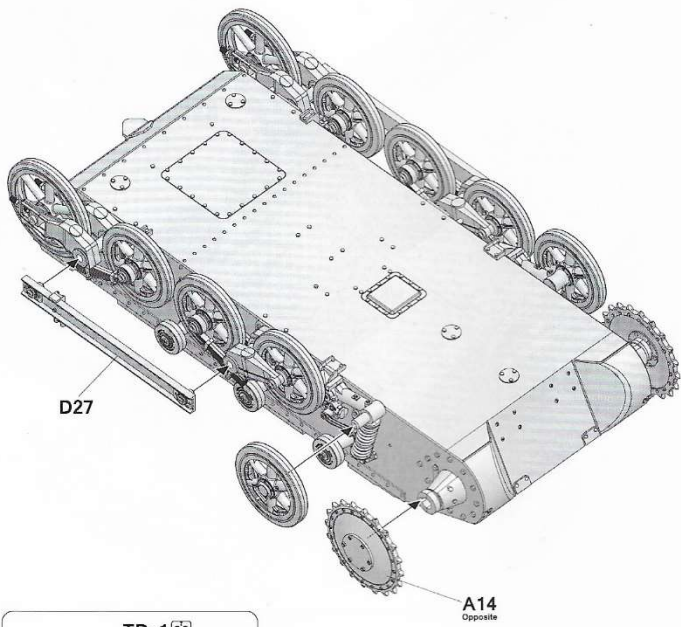
7-1



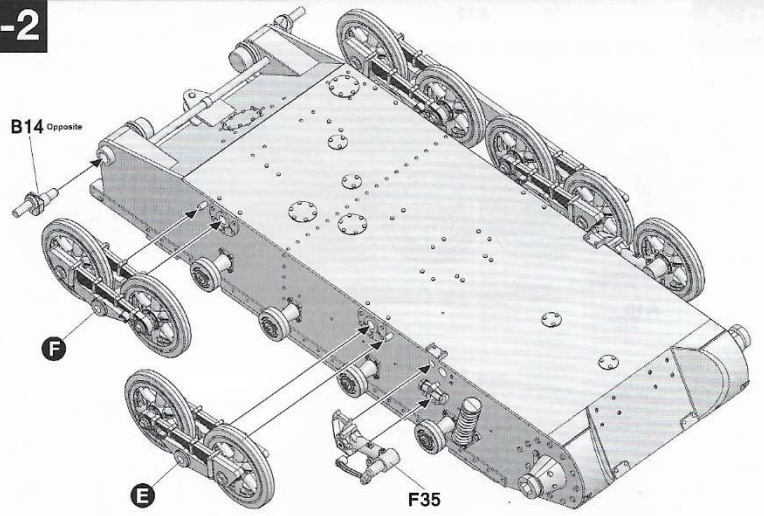
6-2



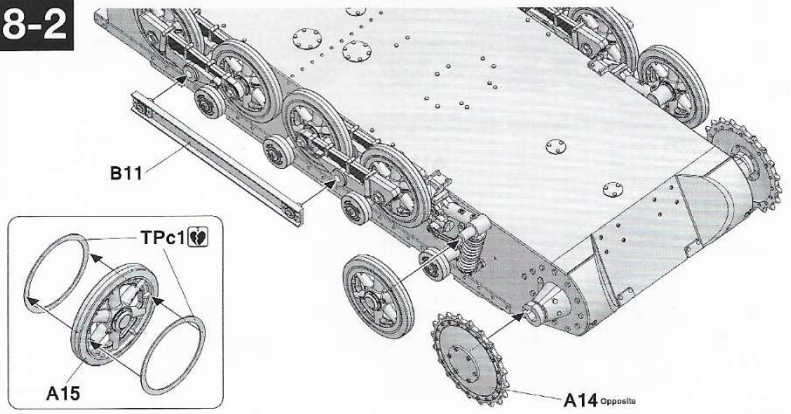
8-1



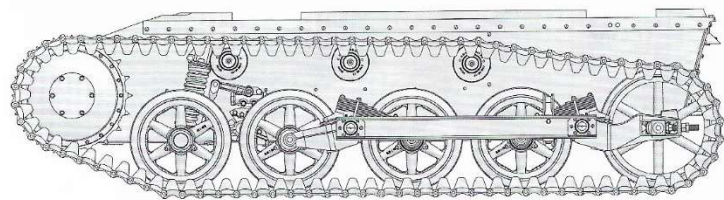
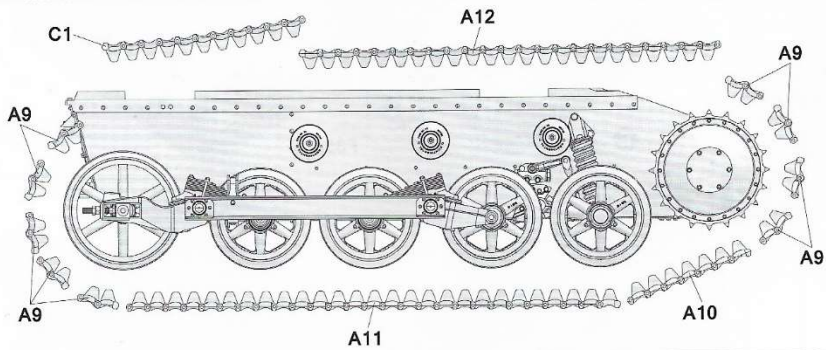
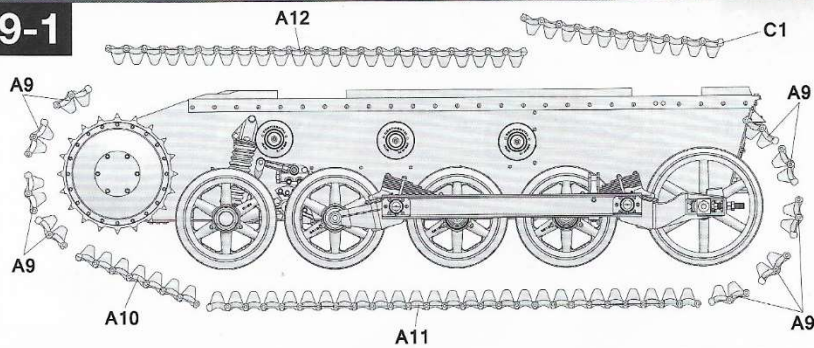
7-2



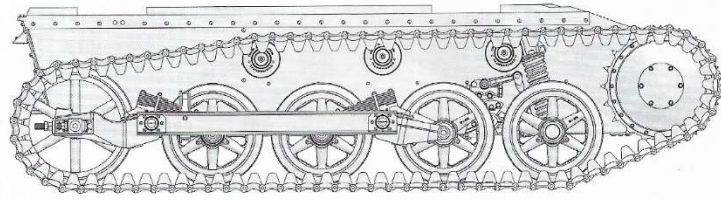
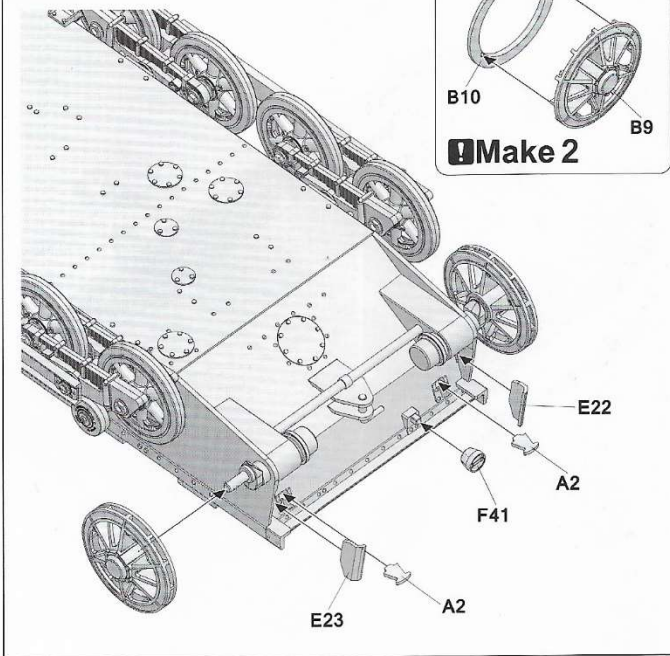
8-2



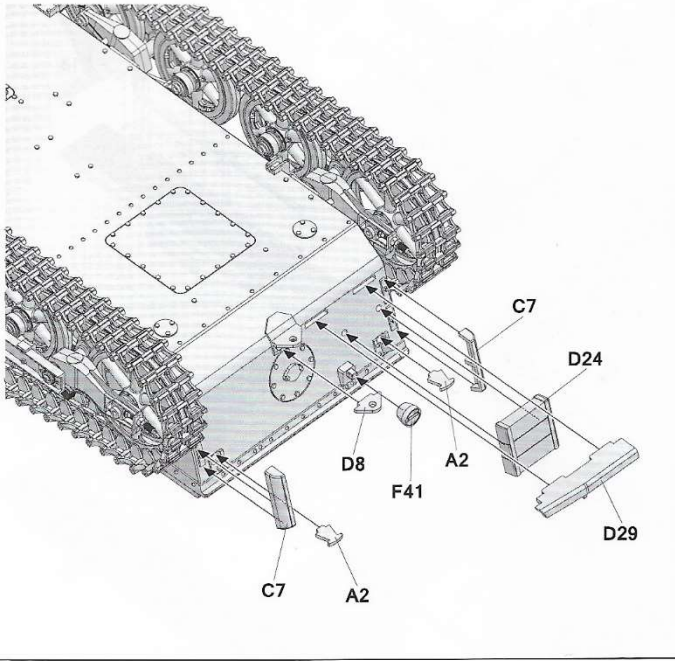
9-1



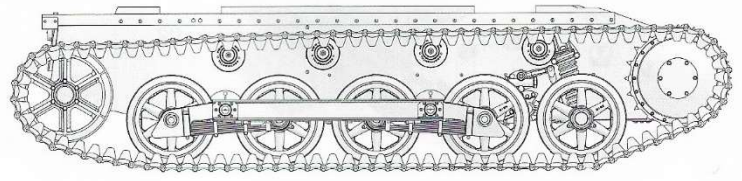
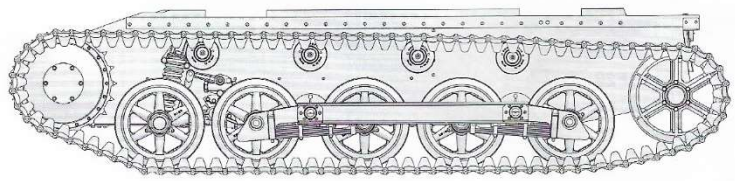
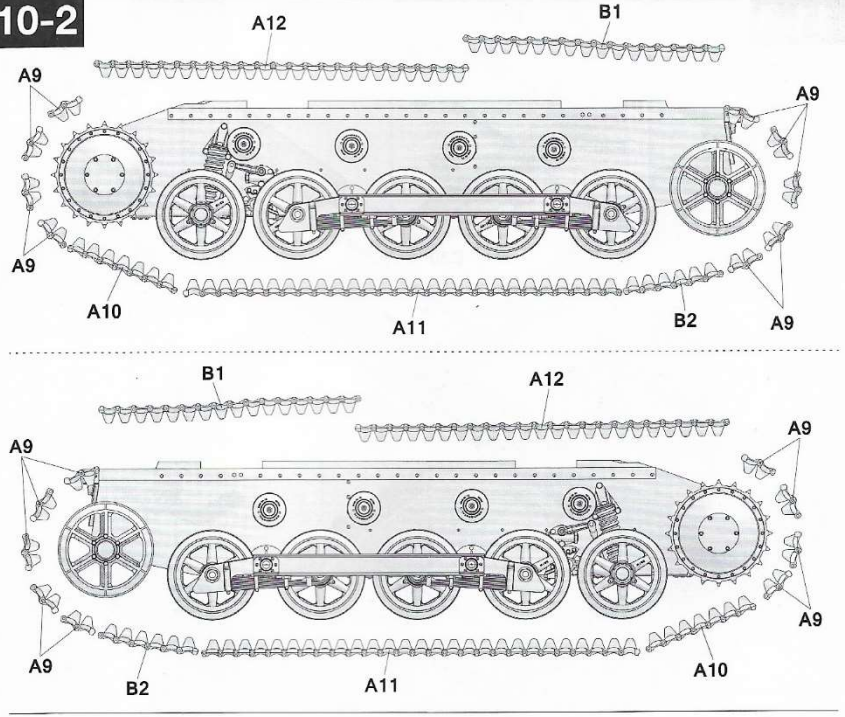
9-2



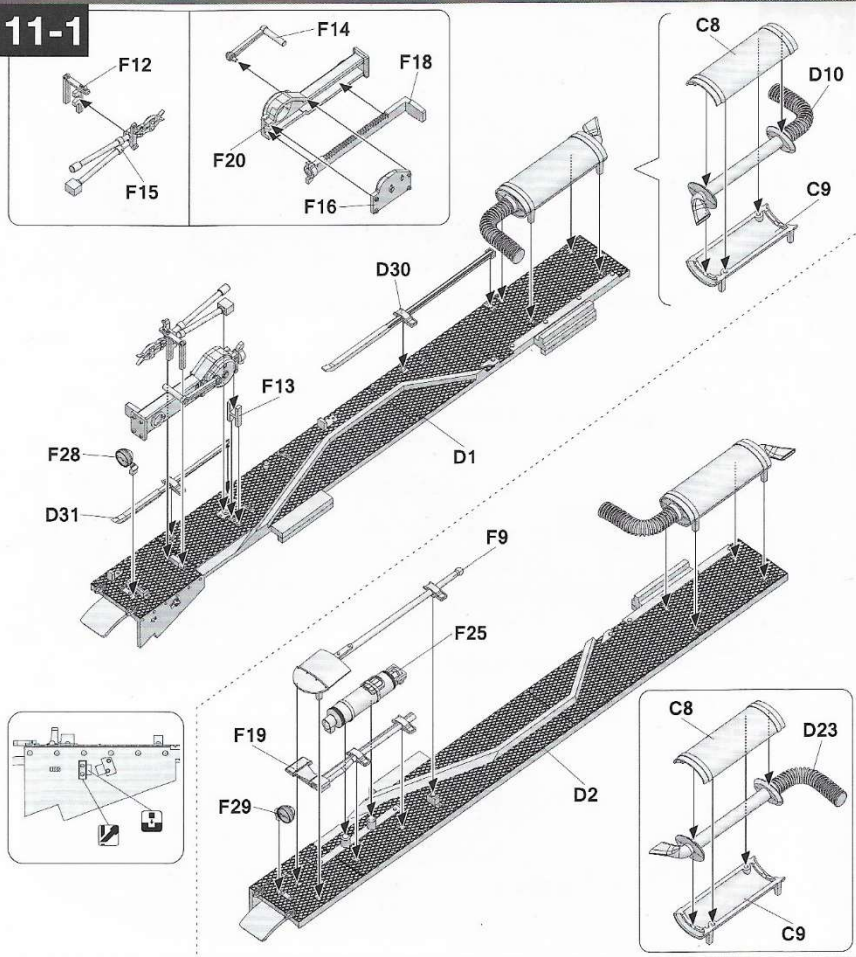
10-1



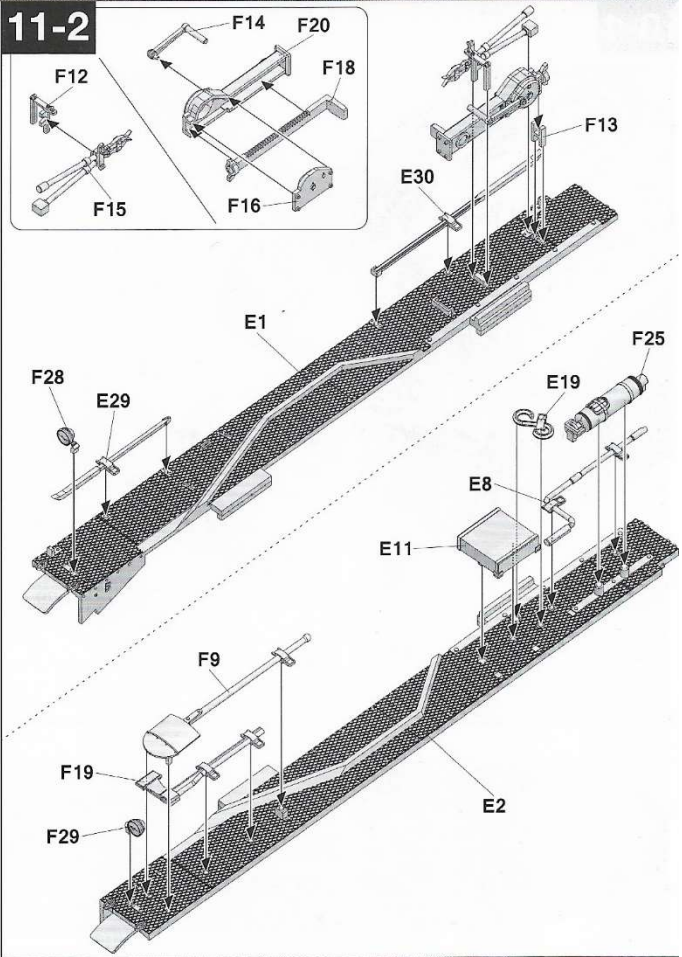
10-2



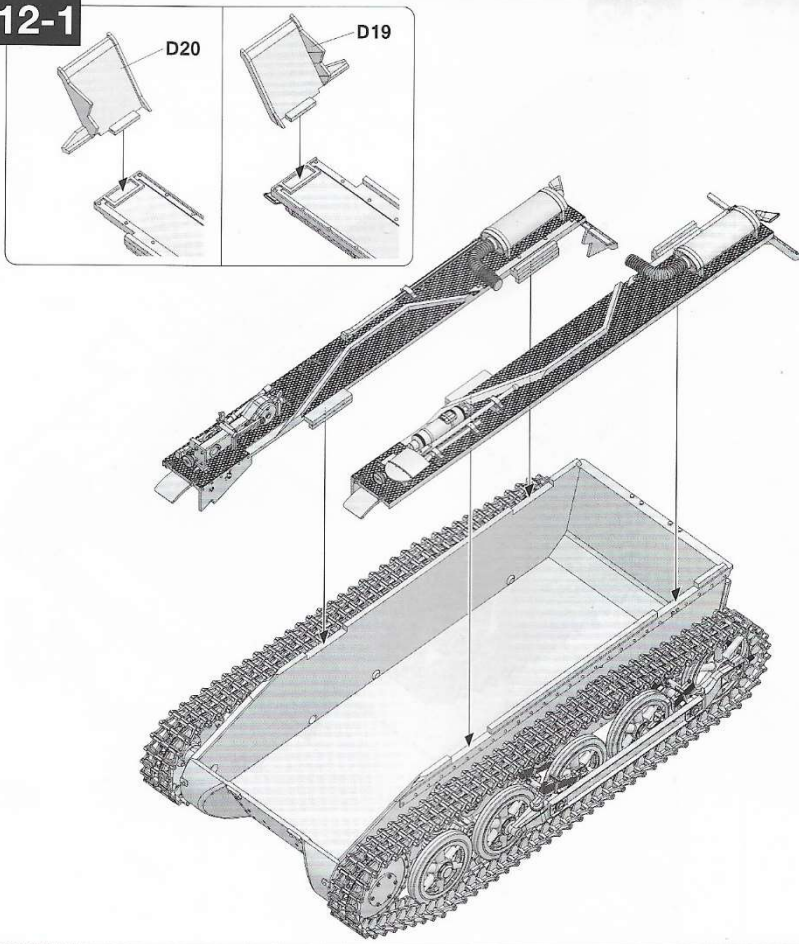
11-1



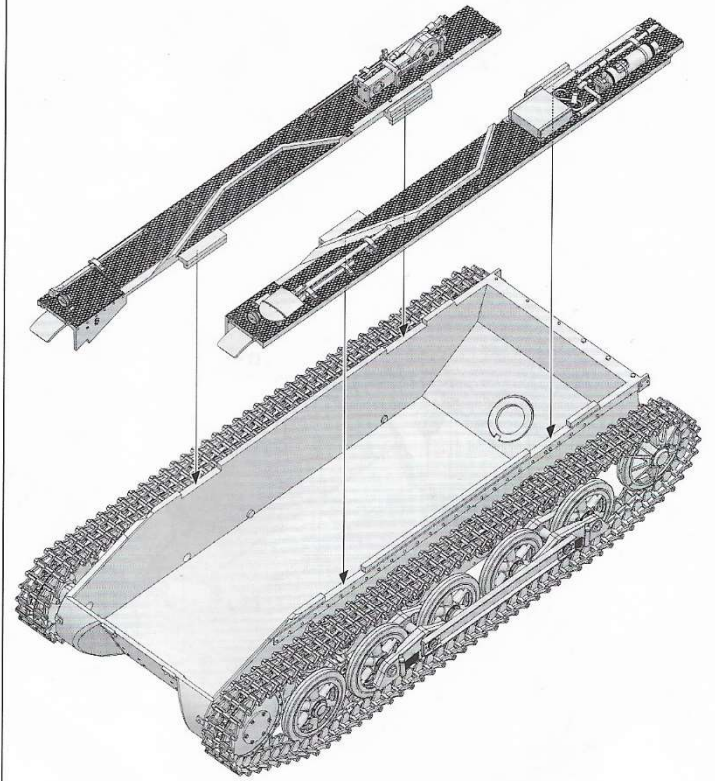
11-2



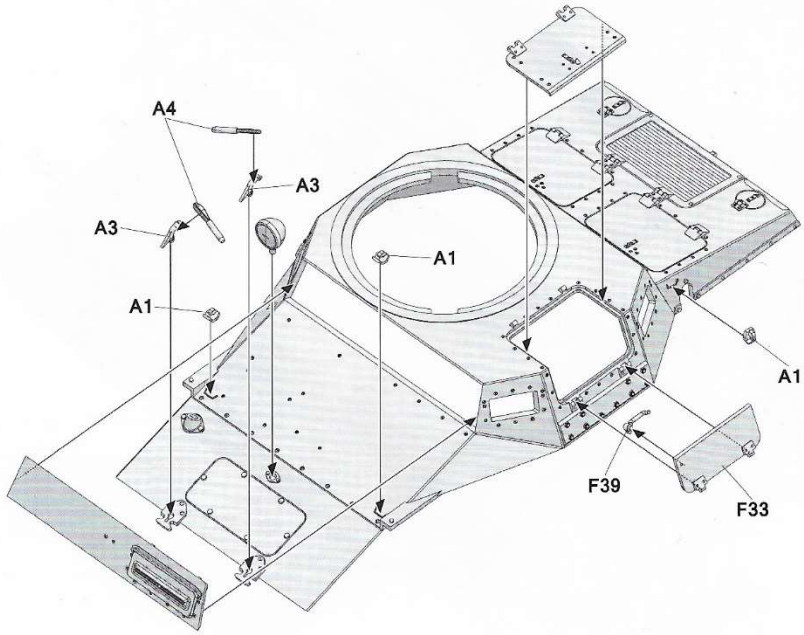
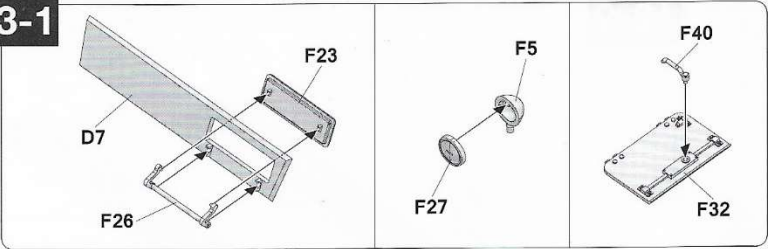
12-1



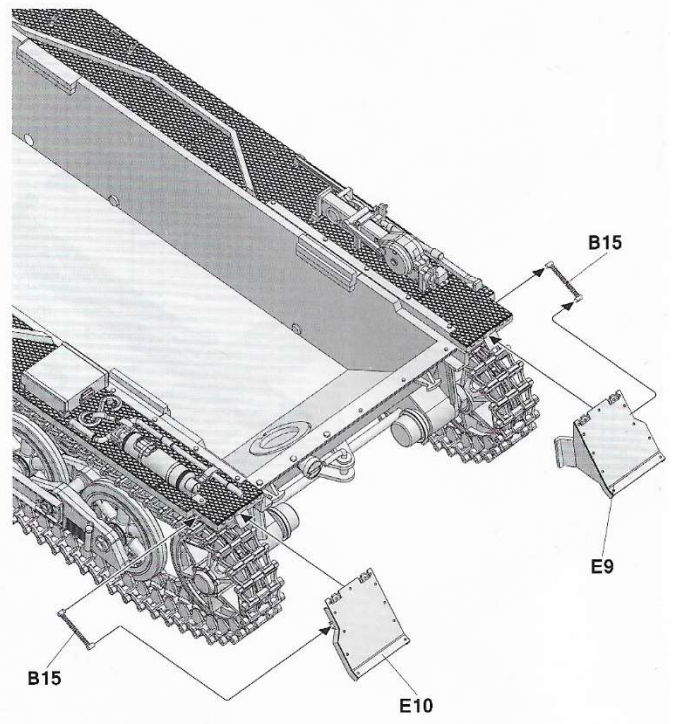
12-2



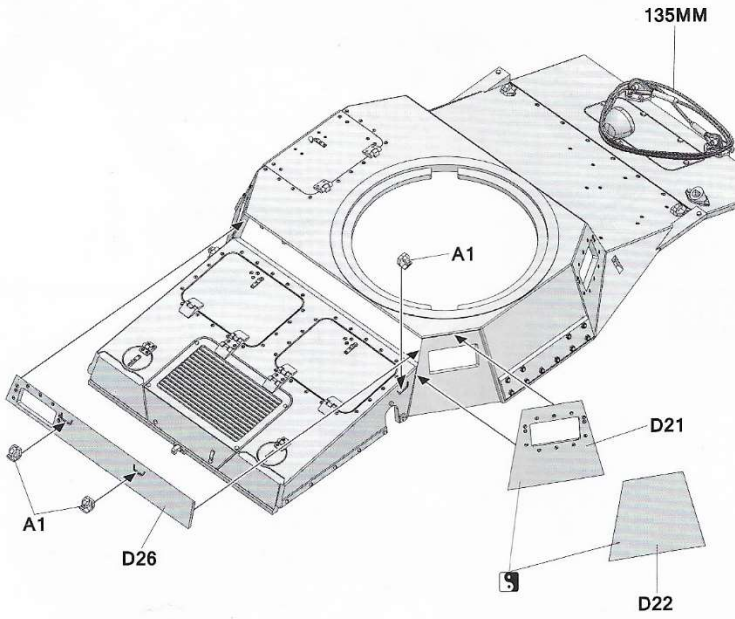
13-1



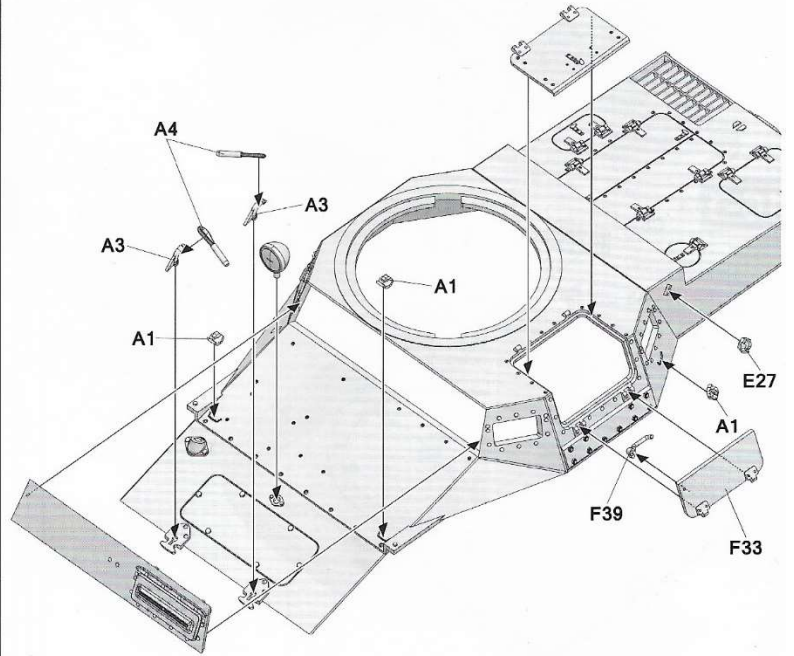
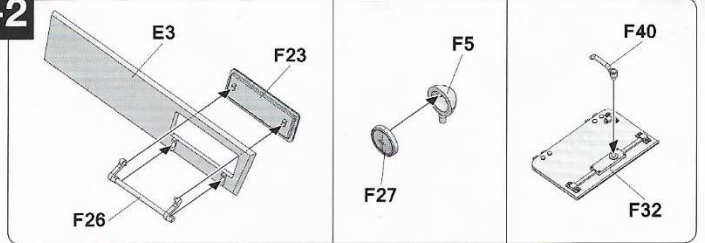
13-2



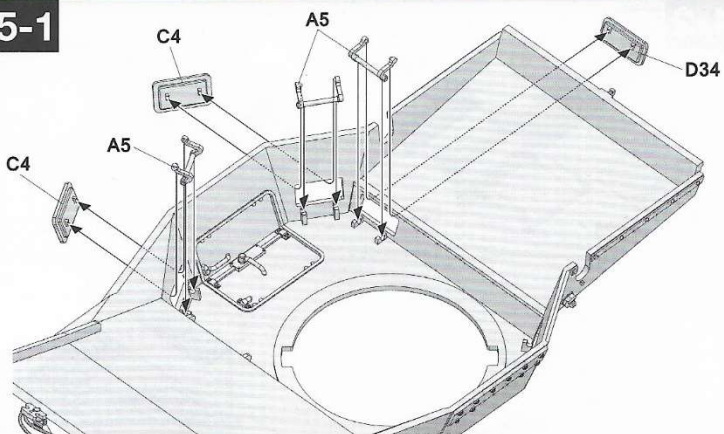
14-1



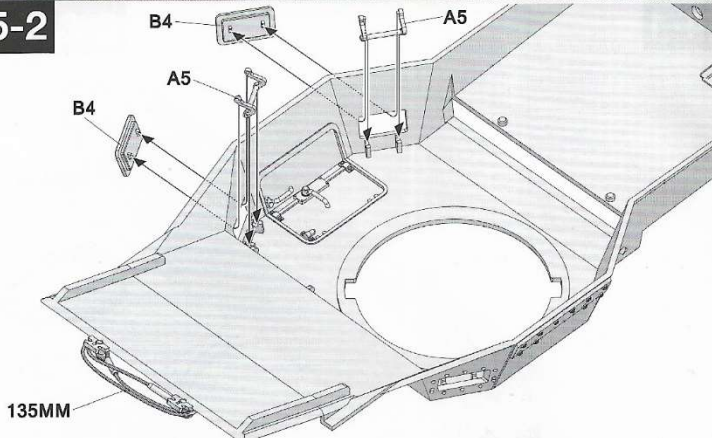
14-2



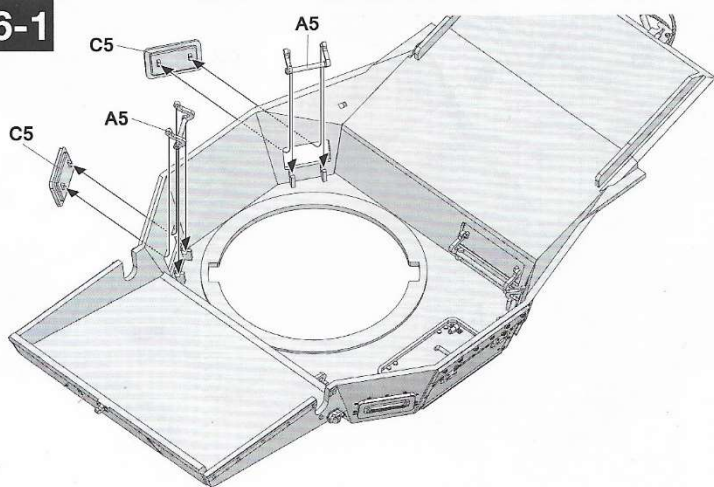
15-1



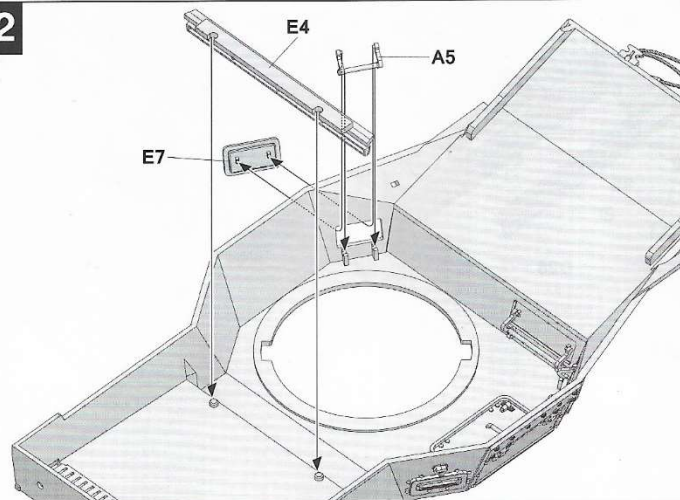
15-2



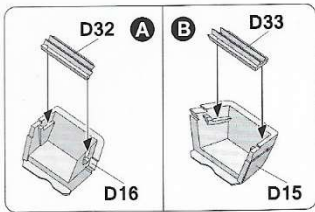
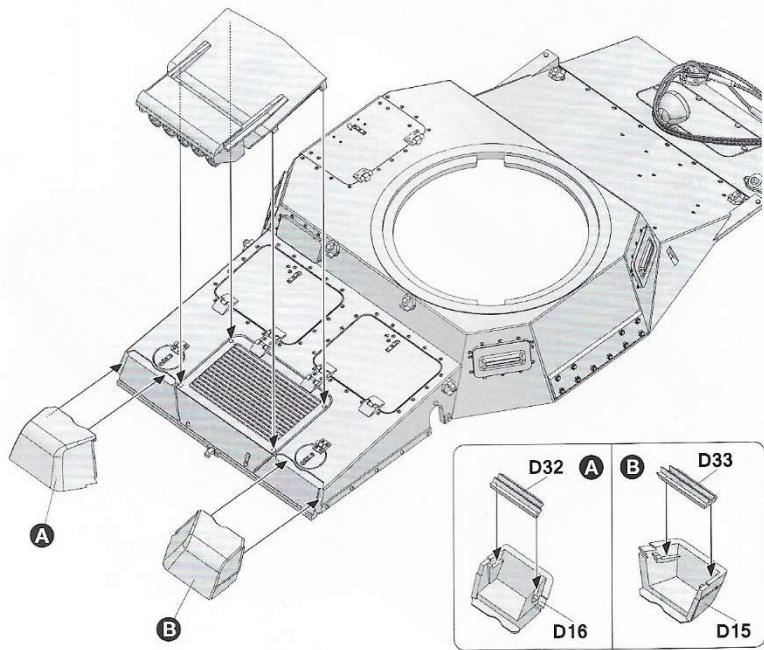
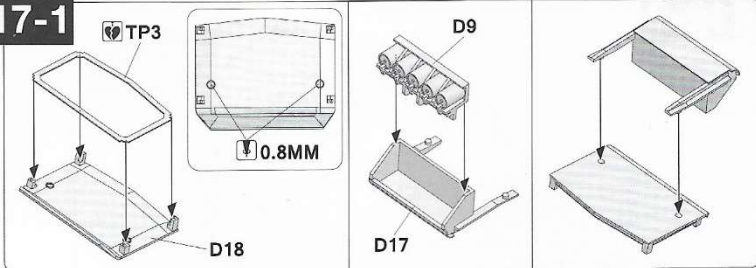
16-1



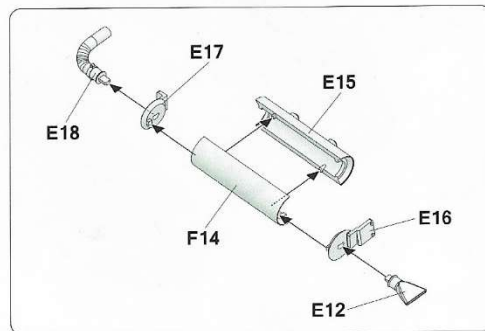
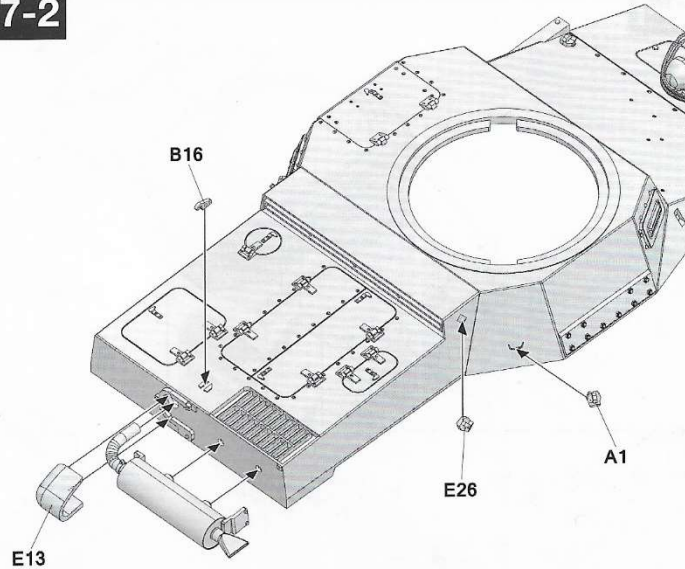
16-2



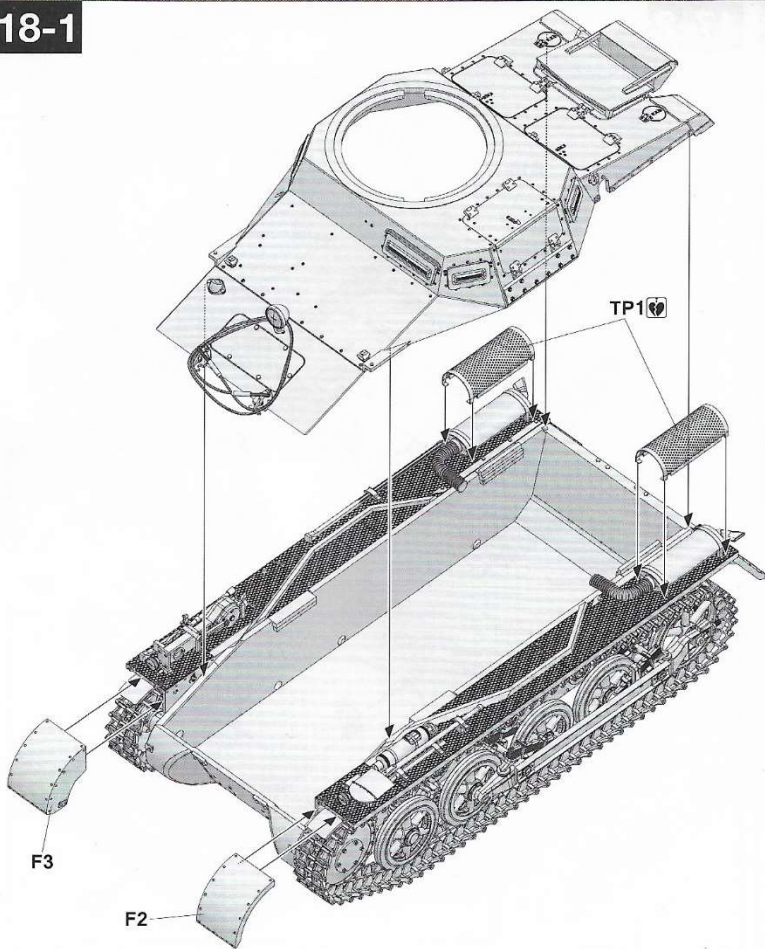
17-1



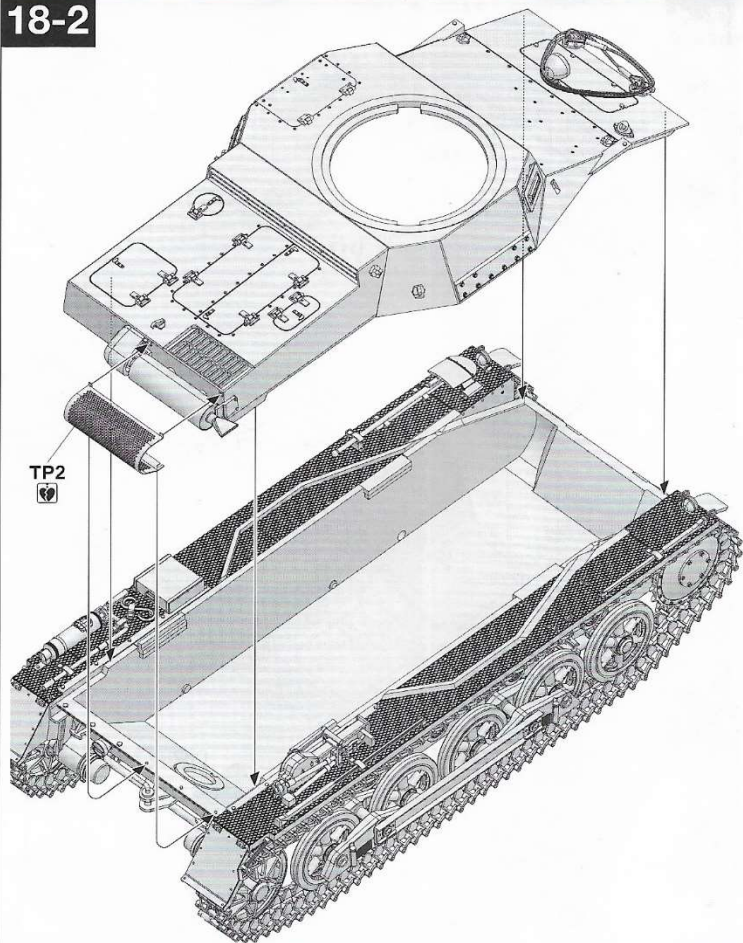
17-2



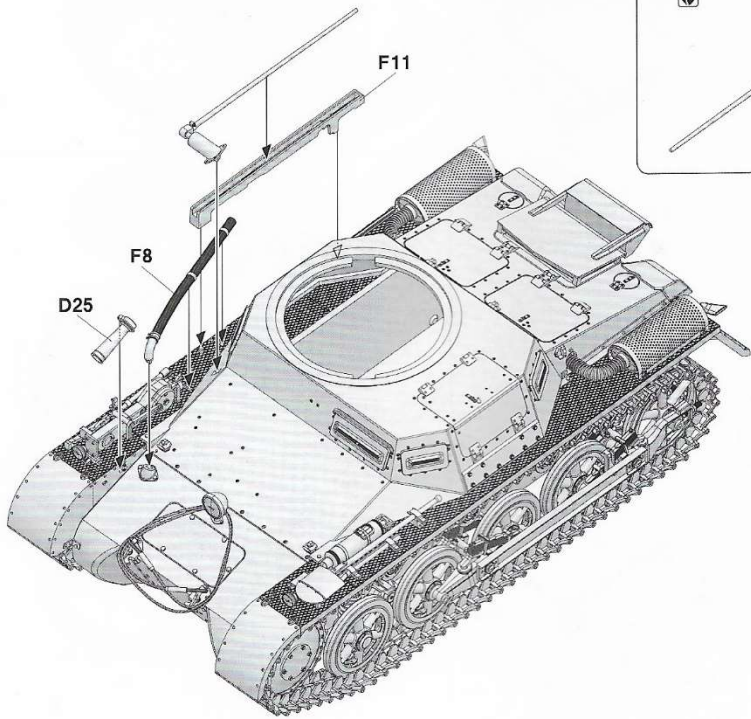
18-1



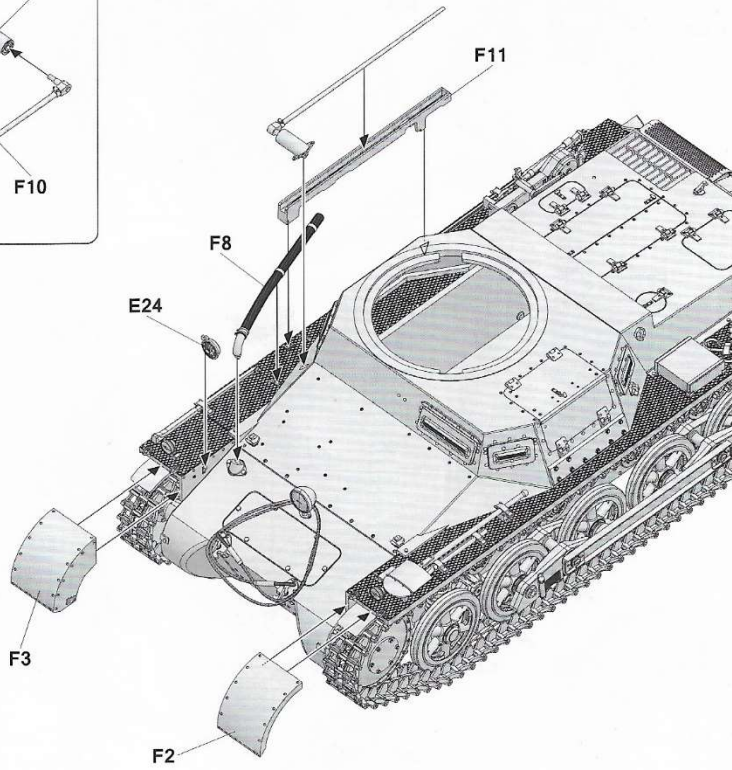
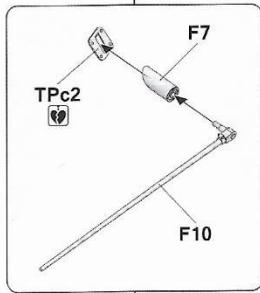
18-2



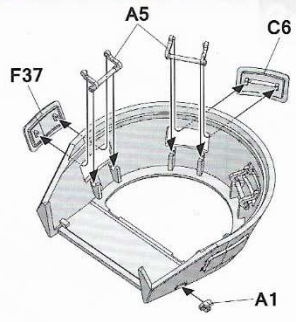
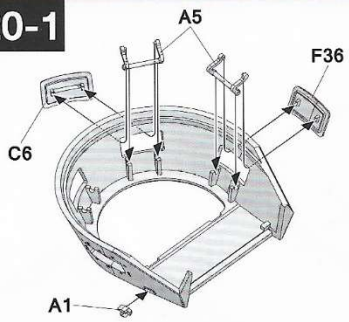
19-1



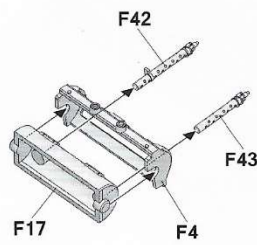
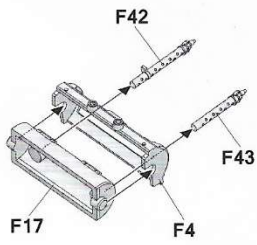
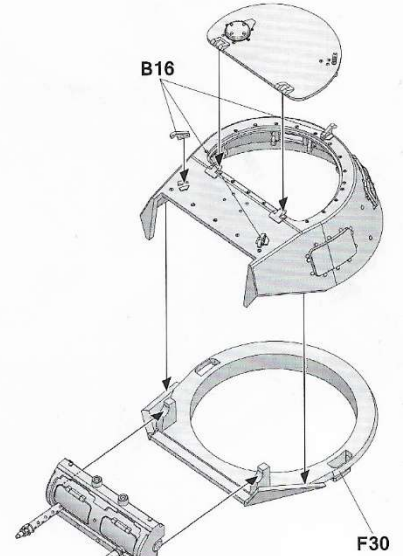
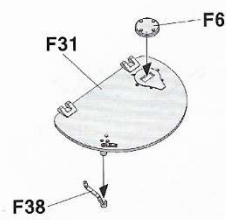
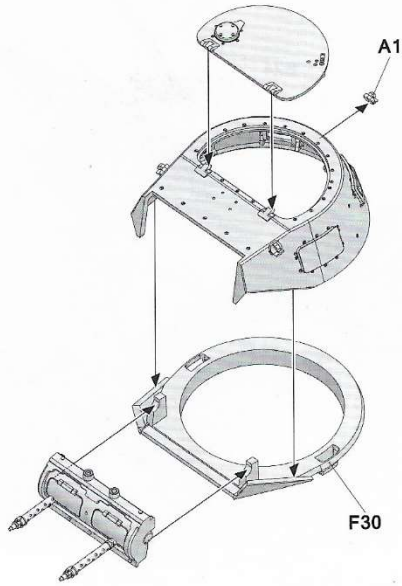
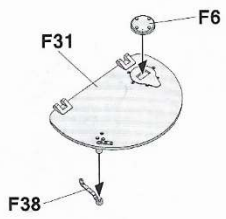
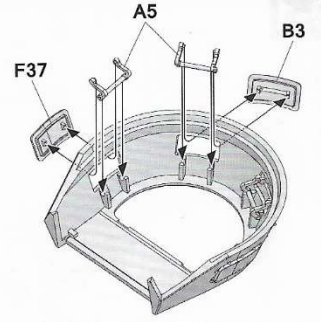
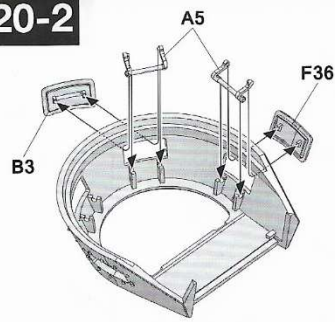
19-2



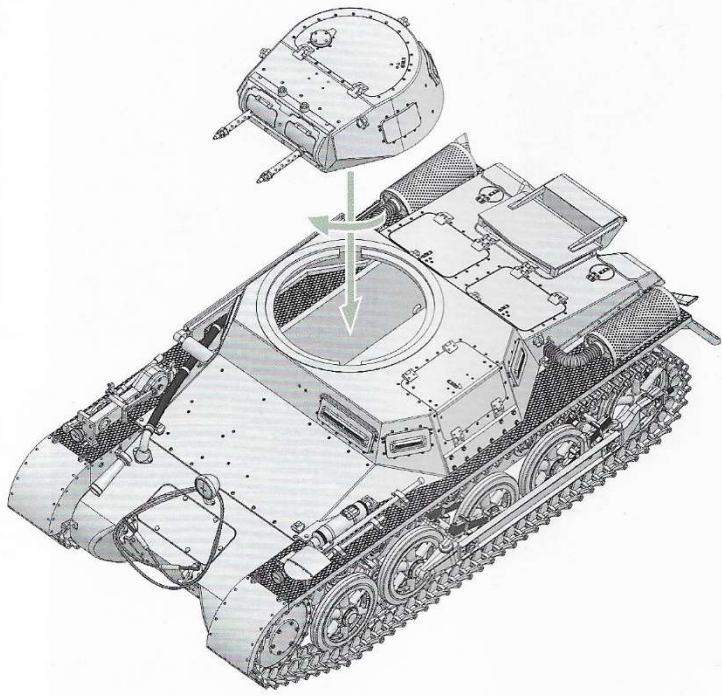
20-1



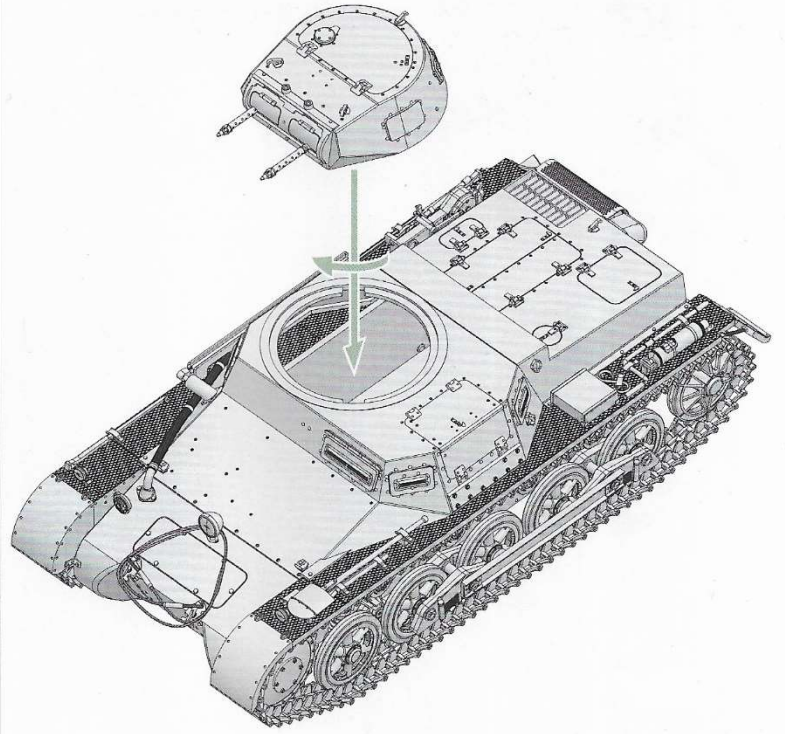
20-2



21-1



21-2



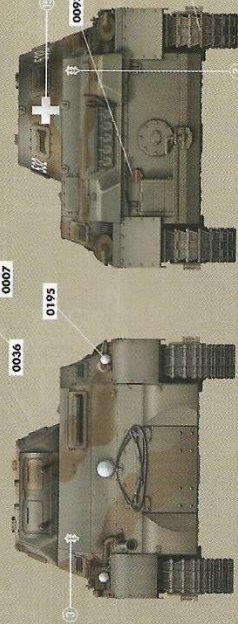
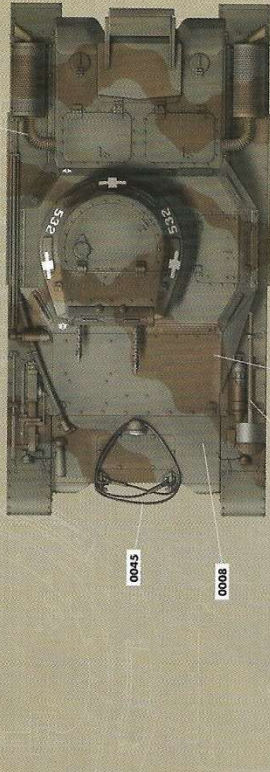
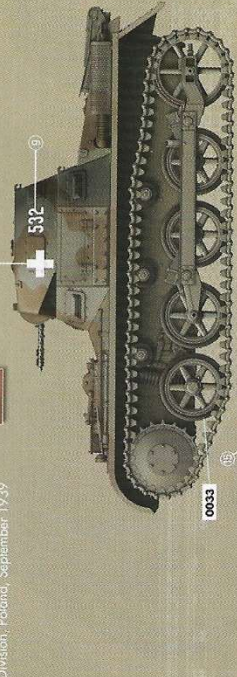


Painting and Marking Guide

TAKOM Ref: 2145

5. Kompanie, Panzer Regiment 1,
1st Panzer Division, Poland, September 1939

- AMIG-0003 Rickle & Tone
- AMIG-0004 Blue & Tan
- AMIG-0005 Dark Blue
- AMIG-0006 Grey
- AMIG-0007 Dark Yellow
- AMIG-0008 Dark Blue
- AMIG-0009 Dark Yellow
- AMIG-0010 Dark Yellow
- AMIG-0011 Dark Yellow
- AMIG-0012 Dark Yellow
- AMIG-0013 Dark Yellow
- AMIG-0014 Dark Yellow
- AMIG-0015 Dark Yellow
- AMIG-0016 Dark Yellow
- AMIG-0017 Dark Yellow
- AMIG-0018 Dark Yellow
- AMIG-0019 Dark Yellow
- AMIG-0020 Dark Yellow
- AMIG-0021 Dark Yellow
- AMIG-0022 Dark Yellow
- AMIG-0023 Dark Yellow
- AMIG-0024 Dark Yellow
- AMIG-0025 Dark Yellow
- AMIG-0026 Dark Yellow
- AMIG-0027 Dark Yellow
- AMIG-0028 Dark Yellow
- AMIG-0029 Dark Yellow
- AMIG-0030 Dark Yellow
- AMIG-0031 Dark Yellow
- AMIG-0032 Dark Yellow
- AMIG-0033 Dark Yellow
- AMIG-0034 Dark Yellow
- AMIG-0035 Dark Yellow
- AMIG-0036 Dark Yellow
- AMIG-0037 Dark Yellow
- AMIG-0038 Dark Yellow
- AMIG-0039 Dark Yellow
- AMIG-0040 Dark Yellow
- AMIG-0041 Dark Yellow
- AMIG-0042 Dark Yellow
- AMIG-0043 Dark Yellow
- AMIG-0044 Dark Yellow
- AMIG-0045 Dark Yellow
- AMIG-0046 Dark Yellow
- AMIG-0047 Dark Yellow
- AMIG-0048 Dark Yellow
- AMIG-0049 Dark Yellow
- AMIG-0050 Dark Yellow



- WEATHERING STEPS WITH AMMO PRODUCTS**
- 1 GENERAL WASH**
A.MIG-006 Blue Wash for Panzer Grey
A.MIG-1502 Dark Grey for White
 - 2 FILTER**
 - 3 STREAKING**
A.MIG-1206 Dark Streaking Cray
A.MIG-1002 Tracks Wash
 - 4 TRACKS WASH**
 - 5 RUST**
A.MIG-1254 Streaking-bruister Rust
A.MIG-3004 Europe Earth
 - 6 DUST**
A.MIG-1108 Fresh Engine Oil
 - 7 MUD & SPLASHES**
A.MIG-1151 Dry Sludge
A.MIG-1108 Fresh Engine Oil
 - 8 GREASE & OIL**

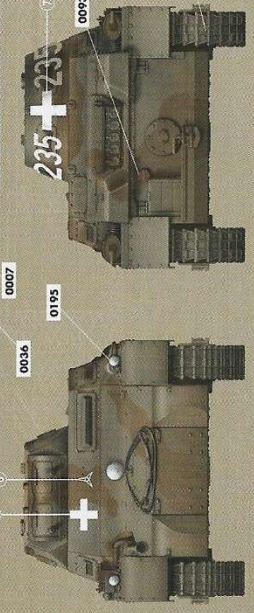
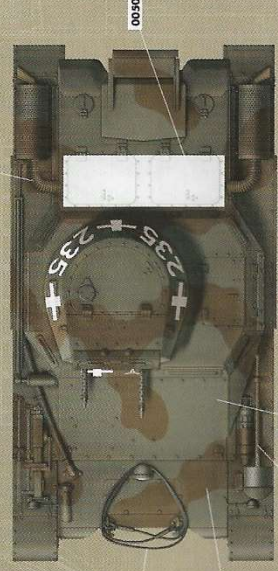
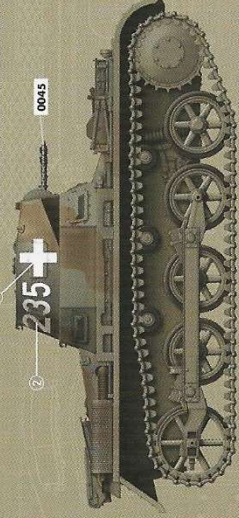
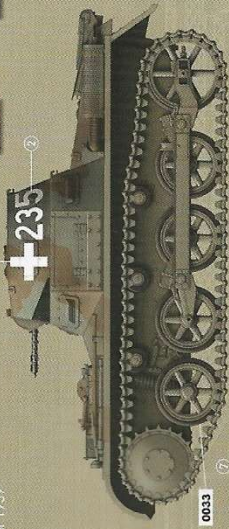


Painting and Marking Guide

TAKOM Ref: 2145

2. Kompanie, Panzer Regiment 35
4th Panzer Division, Poland, September, 1939

- A.MIG-0031 Dark Rust
- A.MIG-0035 Dark Rust
- A.MIG-0045 Iron Metal
- A.MIG-0008 Blue Wash (Drybrush)
- A.MIG-0009 Blue Wash
- A.MIG-0017 Iron Metal
- A.MIG-0019 Iron Metal
- A.MIG-0050 Iron Metal



WEATHERING STEPS WITH AMMO PRODUCTS

- 1 GENERAL WASH**
A.MIG-1008 Blue Wash for Panzer Grey
- 2 FILTER**
A.MIG-1502 Dark Grey Dry Wash

- 3 STREAKING**
A.MIG-1206 Dark Streaking Crème
- 4 TRACKS WASH**
A.MIG-1002 Tracks Wash

- 5 RUST**
A.MIG-124 Streakobruscher Rust
- 6 DUST**
A.MIG-3004 Europe Earth

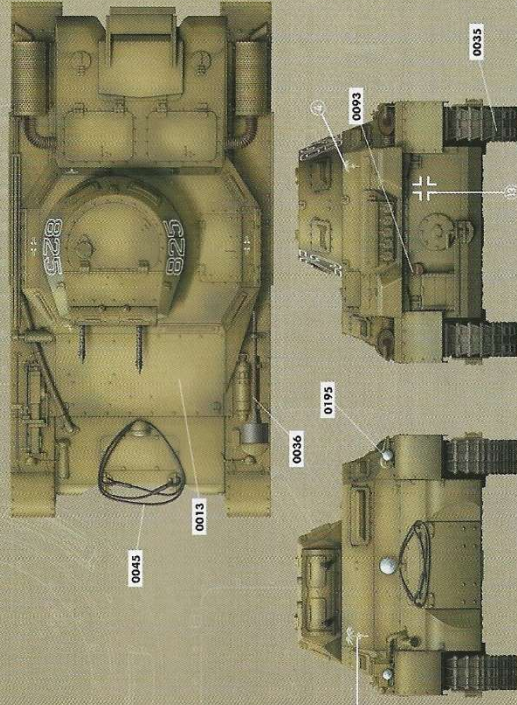
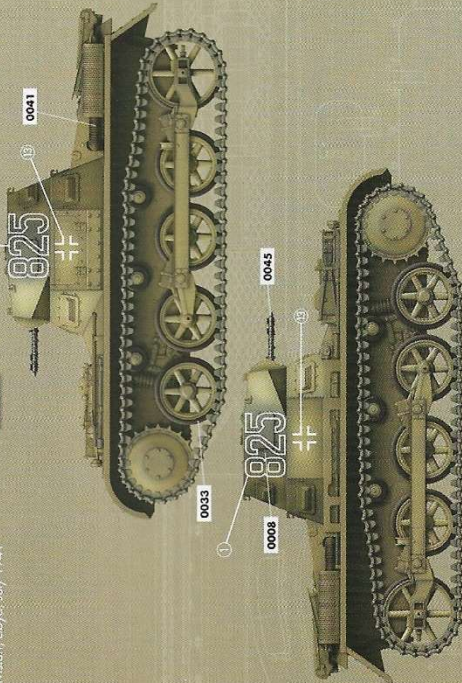
- 7 MUD & SPLASHES**
A.MIG-1751 Dry Sludge
- 8 GREASE & OIL**
A.MIG-1408 Fresh Engine Oil

Painting and Marking Guide

TAKOM Ref: 2145

- 8. Kompanie, Panzer Regiment 5,
- 5. Leichte Division, Libya, July 1941

AMG-0033 Black & Grey	AMG-0035 Black & Grey	AMG-0045 Dark Blue	AMG-0041 Dark Blue
AMG-0013 Black	AMG-0008 Black	AMG-0008 Black	AMG-0008 Black
AMG-0093 Crest Red	AMG-0093 Crest Red	AMG-0093 Crest Red	AMG-0093 Crest Red



WEATHERING STEPS WITH AMMO PRODUCTS

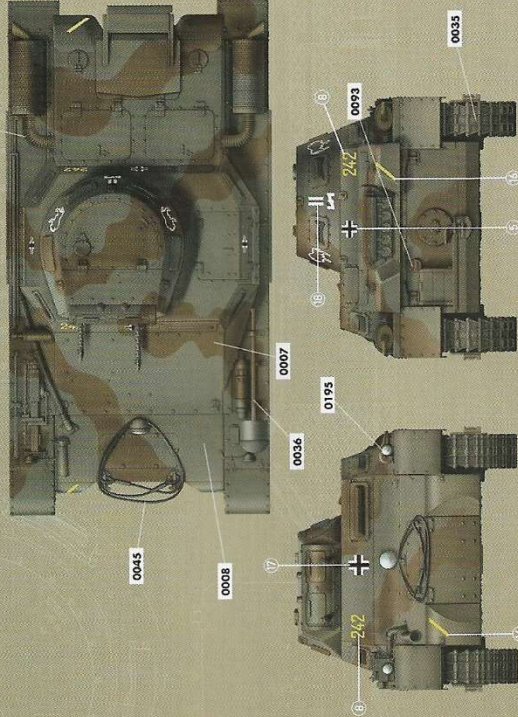
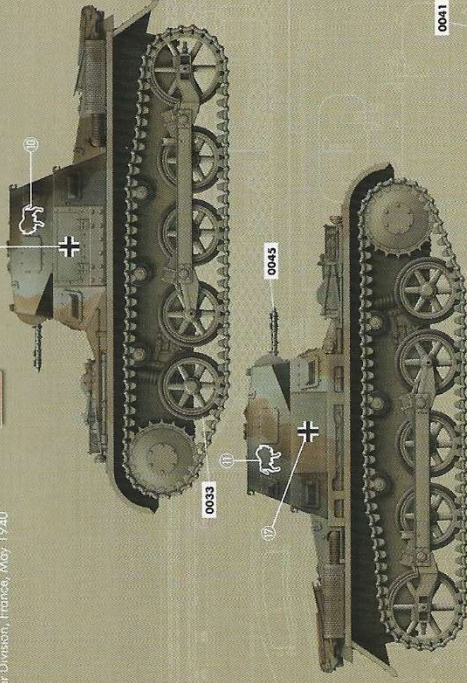
- 1 GENERAL WASH**
A.MIG-1001 Africa Kops Wash
- 2 FILTER**
A.MIG-1604 Brown for Desert Yellow
- 3 STREAKING**
A.MIG-2001 Streaking Grime for Dark
- 4 TRACKS WASH**
A.MIG-1002 Tracks Wash
- 5 RUST**
A.MIG-1254 Shake/Inhibitor Rust
- 6 DUST**
A.MIG-3003 North Africa Dust
- 7 MID & SPLASHES**
A.MIG-1750 Dry Earth
- 8 GREASE & OIL**
A.MIG-1408 Fresh Engine Oil

Painting and Marking Guide

TAKOM Ref: 2145

- 2. Kompanie, Panzer Regiment 8,
- 10th Panzer Division, France, May 1940

AMG-0033 Black & Grey	AMG-0035 Black & Grey	AMG-0045 Dark Blue	AMG-0041 Dark Blue
AMG-0013 Black	AMG-0008 Black	AMG-0008 Black	AMG-0008 Black
AMG-0093 Crest Red	AMG-0093 Crest Red	AMG-0093 Crest Red	AMG-0093 Crest Red



WEATHERING STEPS WITH AMMO PRODUCTS

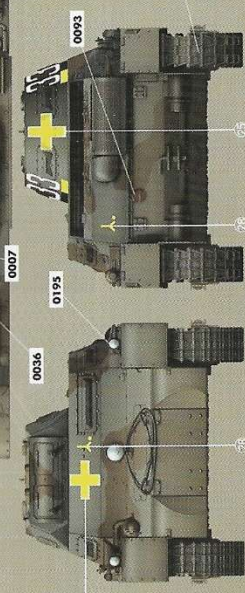
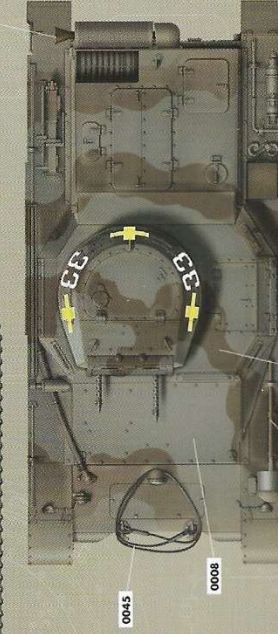
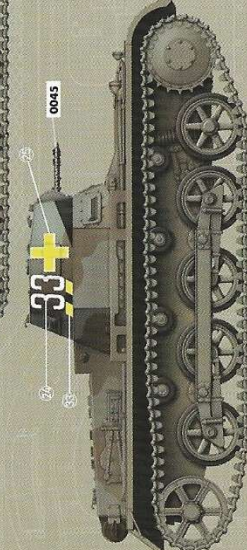
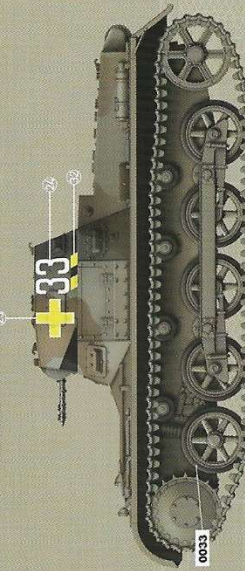
- 1 GENERAL WASH**
A.MIG-1008 Blue Wash for Panzer Grey
- 2 FILTER**
A.MIG-1602 Dark Grey for Khaki
- 3 STREAKING**
A.MIG-2018 Dark Streaking Grime
- 4 TRACKS WASH**
A.MIG-1002 Tracks Wash
- 5 RUST**
A.MIG-1254 Shake/Inhibitor Rust
- 6 DUST**
A.MIG-3004 Europe Earth
- 7 MID & SPLASHES**
A.MIG-1752 Loose Ground
- 8 GREASE & OIL**
A.MIG-1408 Fresh Engine Oil

Painting and Marking Guide

TAKOM Ref: 2145

5. Kompanie Panzer Regiment 35
4th Panzer Division, Poland, September 1939

- AMG-0033 Rubber & Tire
- AMG-0045 Dark Felt
- AMG-0007 MA 301 (Synthetic) 1
- AMG-0008 MA 301 (Synthetic) 2
- AMG-0093 Crystal Red
- AMG-0041 Dark Blue
- AMG-0045 Dark Felt
- AMG-0006 800 Wood



WEATHERING STEPS WITH AMMO PRODUCTS

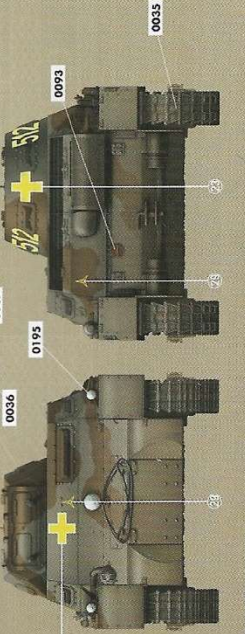
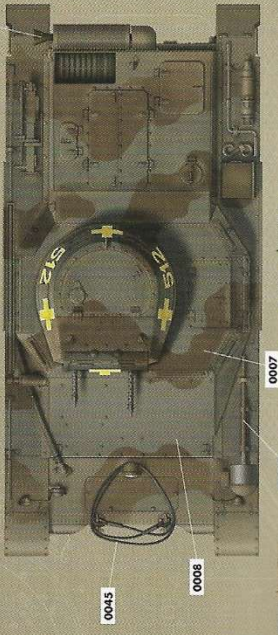
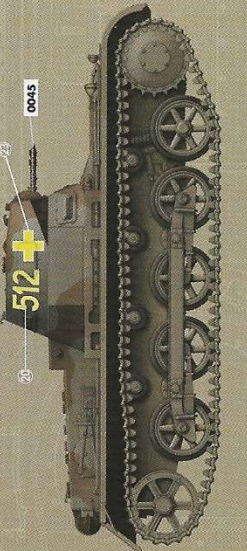
- 1 GENERAL WASH**
A.MIG-1006 Blue Wash for Panzer Grey
- 2 FILTER**
A.MIG-1502 Dark Grey for White
- 3 STEAKING**
A.MIG-1206 Dark Steaking Glime
- 4 TRACKS WASH**
A.MIG-1002 Tracks Wash
- 5 RUST**
A.MIG-1254 Steakingbraker Rust
- 6 DUST**
A.MIG-3004 Europe Earth
- 7 MID & SPLASHES**
A.MIG-1751 Dry Sludge
- 8 GREASE & OIL**
A.MIG-1408 Fish Engine Oil

Painting and Marking Guide

TAKOM Ref: 2145

5. Kompanie Panzer Regiment 35
4th Panzer Division, Poland, September 1939

- AMG-0033 Rubber & Tire
- AMG-0045 Dark Felt
- AMG-0007 MA 301 (Synthetic) 1
- AMG-0008 MA 301 (Synthetic) 2
- AMG-0093 Crystal Red
- AMG-0041 Dark Blue
- AMG-0045 Dark Felt
- AMG-0006 800 Wood



WEATHERING STEPS WITH AMMO PRODUCTS

- 1 GENERAL WASH**
A.MIG-1006 Blue Wash for Panzer Grey
- 2 FILTER**
A.MIG-1502 Dark Grey for White
- 3 STEAKING**
A.MIG-1206 Dark Steaking Glime
- 4 TRACKS WASH**
A.MIG-1002 Tracks Wash
- 5 RUST**
A.MIG-1254 Steakingbraker Rust
- 6 DUST**
A.MIG-3004 Europe Earth
- 7 MID & SPLASHES**
A.MIG-1751 Dry Sludge
- 8 GREASE & OIL**
A.MIG-1408 Fish Engine Oil

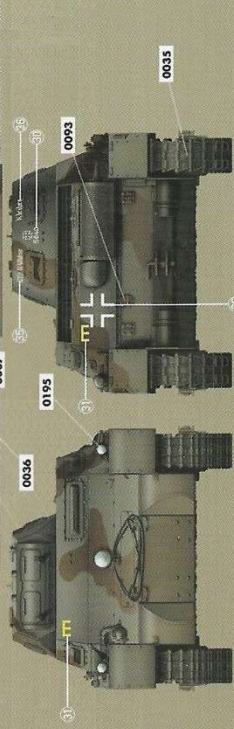
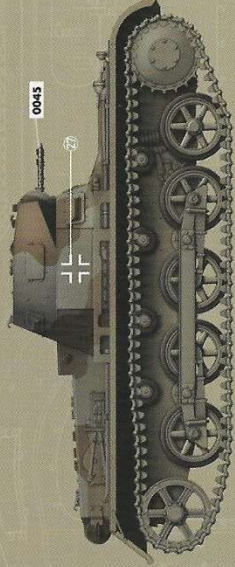
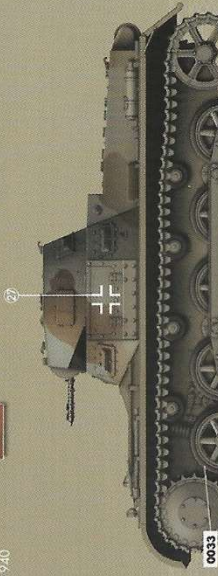
PANZER 1 AUSE.B

Painting and Marking Guide

TAKOM Ref: 2145

1. Kompanie, Panzer Regiment 6,
3rd Panzer Division, France, June 1940

AMIG-0033 Rubber & Tire
AMIG-0035 Dark Tint
AMIG-0041 Dark Blue
AMIG-0045 Dark Mud
AMIG-0007 Rust
AMIG-0008 A.MIG-1254 Streakingbrush Rust
AMIG-0093 Dry Mud
AMIG-0003 Dark Tint
AMIG-0008 A.MIG-1201 Dry Mud
AMIG-0007 Rust
AMIG-0008 A.MIG-1254 Streakingbrush Rust
AMIG-0093 Dry Mud



WEATHERING STEPS WITH AMMO PRODUCTS

- 1 GENERAL WASH**
A.MIG-1008 Blue Wash for Panzer Grey
- 2 FILTER**
A.MIG-1502 Dark Grey for White

- 3 STEAKING**
A.MIG-1206 Dark Steaking Grease
- 4 TRACKS WASH**
A.MIG-1002 Tracks Wash

- 5 RUST**
A.MIG-1254 Streakingbrush Rust
- 6 DUST**
A.MIG-3004 Europe Earth

- 7 MUD & SPLASHES**
A.MIG-1151 Dry Sludge
- 8 GREASE & OIL**
A.MIG-1408 Fresh Engine Oil

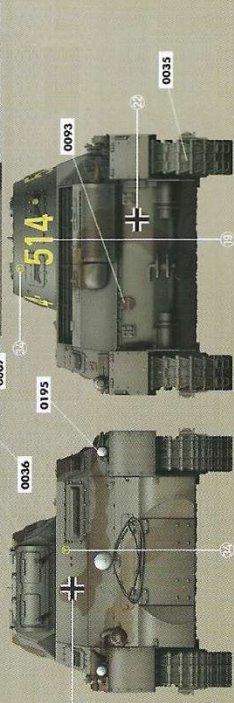
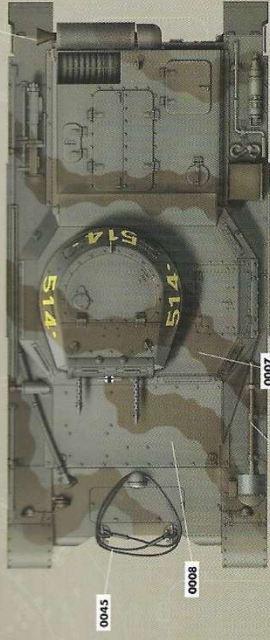
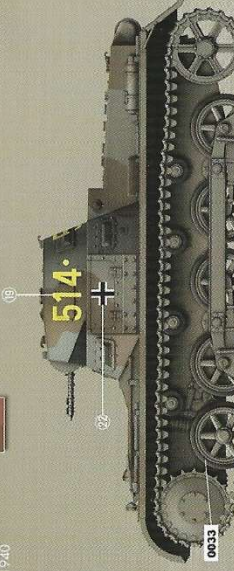
PANZER 1 AUSE.B

Painting and Marking Guide

TAKOM Ref: 2145

5. Kompanie, Panzer Regiment 36,
4th Panzer Division, France, June 1940

AMIG-0033 Rubber & Tire
AMIG-0035 Dark Tint
AMIG-0041 Dark Blue
AMIG-0045 Dark Mud
AMIG-0007 Rust
AMIG-0008 A.MIG-1254 Streakingbrush Rust
AMIG-0093 Dry Mud
AMIG-0003 Dark Tint
AMIG-0008 A.MIG-1201 Dry Mud
AMIG-0007 Rust
AMIG-0008 A.MIG-1254 Streakingbrush Rust
AMIG-0093 Dry Mud



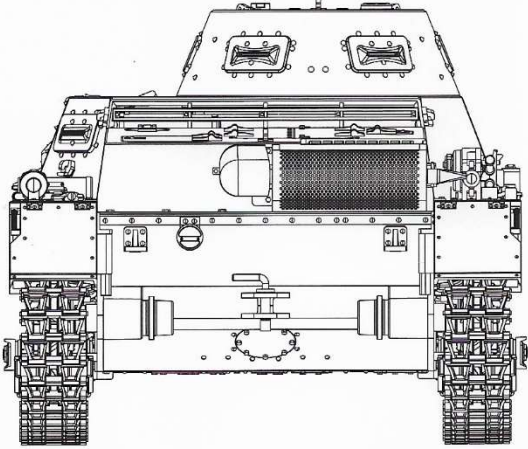
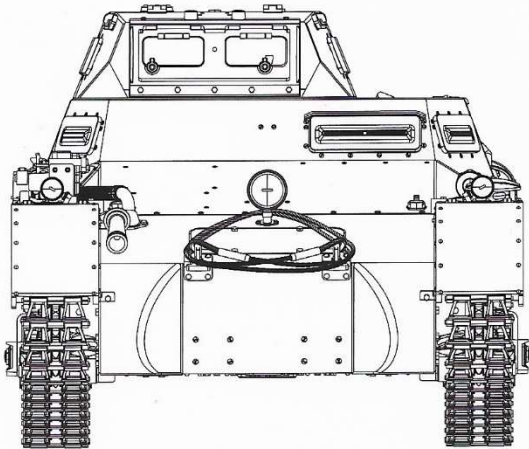
WEATHERING STEPS WITH AMMO PRODUCTS

- 1 GENERAL WASH**
A.MIG-1008 Blue Wash for Panzer Grey
- 2 FILTER**
A.MIG-1502 Dark Grey for White

- 3 STEAKING**
A.MIG-1206 Dark Steaking Grease
- 4 TRACKS WASH**
A.MIG-1002 Tracks Wash

- 5 RUST**
A.MIG-1254 Streakingbrush Rust
- 6 DUST**
A.MIG-3004 Europe Earth

- 7 MUD & SPLASHES**
A.MIG-1151 Dry Sludge
- 8 GREASE & OIL**
A.MIG-1408 Fresh Engine Oil



 You can find TAKOM on Facebook.com