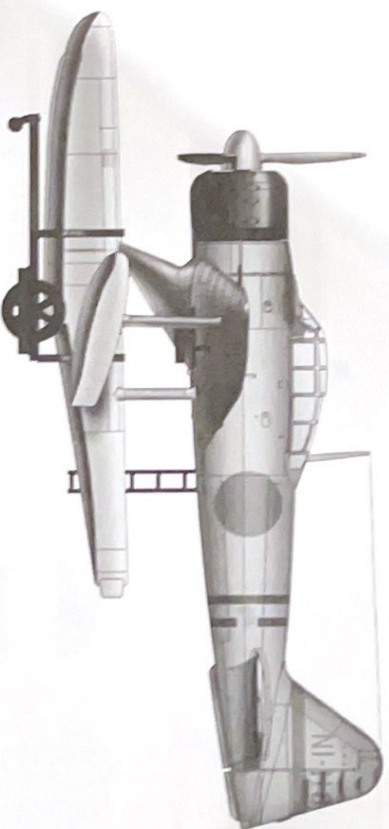


ITEM NO.02410



Nakajima A6M2-N "Rufe" Floatplane

1:24 Scale

中岛二式水上战斗机

READ BEFORE ASSEMBLY

- Study and understand this instructions thoroughly before beginning assembly.
- Remove all injection pins carefully using a modeling file.
- Cut off the photo-etched parts carefully using a modeling knife. Be sure not to lose small parts.
- Apply instant cement to photo etched parts and shafts. Apply too much instant cement will cause moveable parts to stick. Apply cement carefully.
- Extra care should be taken to avoid personal injury when handling the photo etched parts.
- Some parts should depend on decals. Select prior to assembly.
- Tools recommended: (Not included in this kit)
- Cement: Side cutters; Long nose pliers; Modeling knife; Modeling file; Tweezers; Pin vise; Seissors; Instant cement.
- Soft cloth and sand paper will also assist in construction.
- Glue and paints are not included in the kit. Use plastic cement or paints only.
- Keep out of reach of small children. Children must not be allowed to suck any part or pull vinyl bay over the head.

水贴纸的使用:

1. 从水贴纸上剪下印花;
2. 将印花放入温水中浸10秒, 然后放在干净布上;
3. 拿着印花纸板将印花移到模型上;
4. 手指蘸水将印花移到适当的位置;
5. 用软布轻压印花置置水干, 然后晾干.

DECAL APPLICATION

1. Cut off decal from sheet.
2. Dip the decal in tepid water 40° C for about 10 sec. and place on a clean cloth.
3. Hold the backing sheet edge and slide decal onto the model.
4. Move decal into position by wetting decal with finger.
5. Press decal gently down with a soft cloth until excess water and air bubbles are gone.

装配之前仔细阅读

- 小心用模型牌刀磨平所有零件表面的注射溢口。
- 小心用刀片切下蚀刻片零件, 不要遗失小零件。
- 用强力快干胶水粘合蚀刻片零件和金属轴。过量的快干胶水使用可能导致可动零件会粘住, 小心涂胶。
- 取蚀刻片时应特别注意安全, 防止刮伤手指。
- 某些零件表面需贴上水贴纸, 请选择在装配的同时进行。
- 推荐模型工具(自备): 胶水, 水口剪刀, 长咀钳, 刀片, 锉刀, 镊子钳, 钻, 剪刀, 圆头快干胶。
- 软包同砂纸同时也应该是必备工具。
- 请使用塑料胶水和油漆, 模型内不含。
- 谨防小孩吸吮塑料零件, 或者将塑料袋套在头上, 制作时应将材料远离小孩接触。



Cyanoacrylate glue
使用强力胶



weight
配重



make hole
钻孔



cut / remove
切除



option
选择



no cement
不涂胶水



decal
贴纸



bend
弯曲



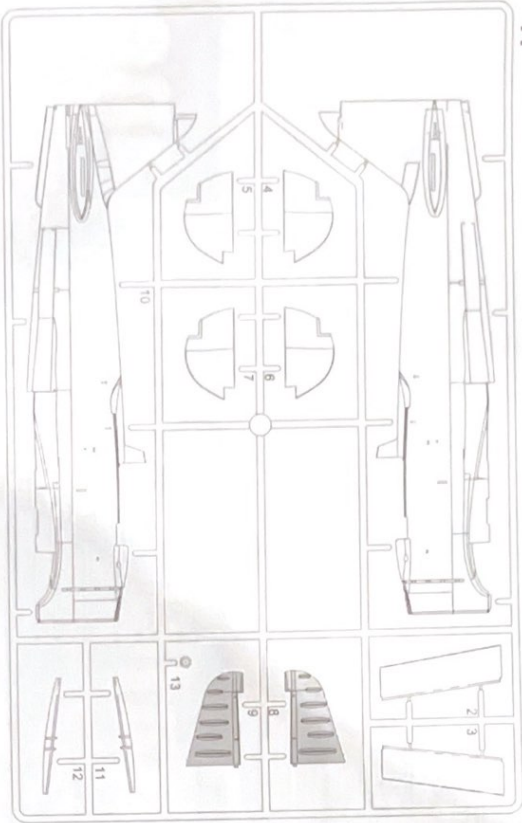
file / sand
锉平

02410

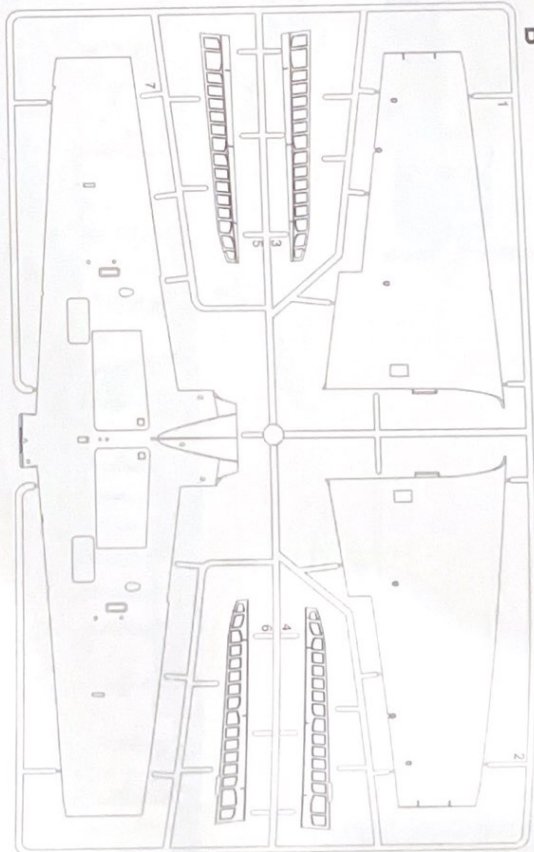
1

部品图 Parts

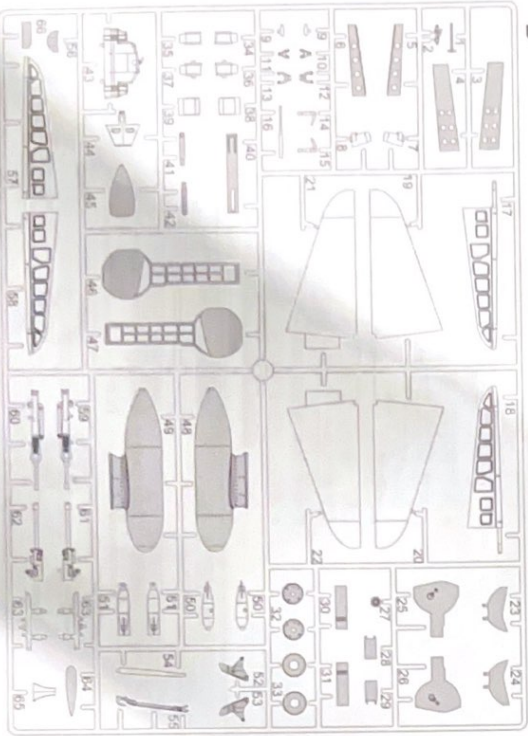
A



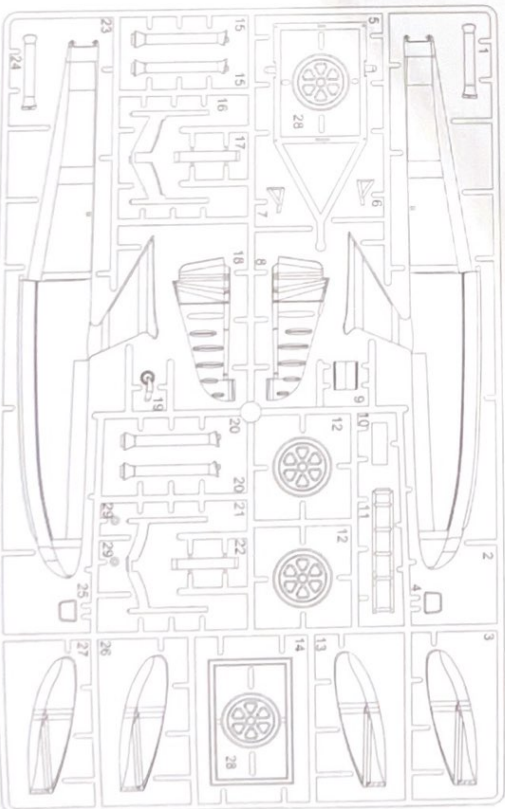
B

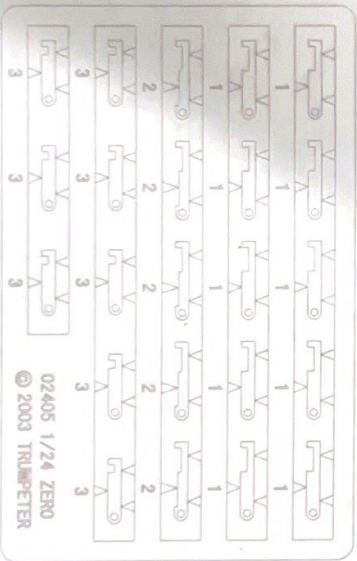
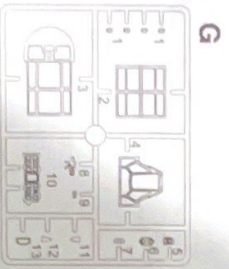
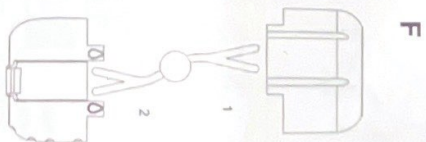
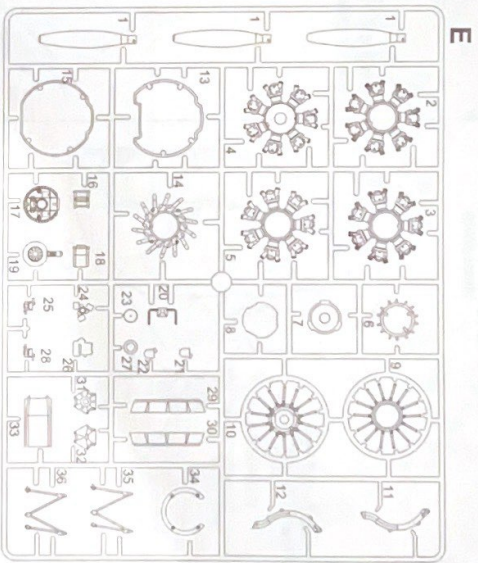
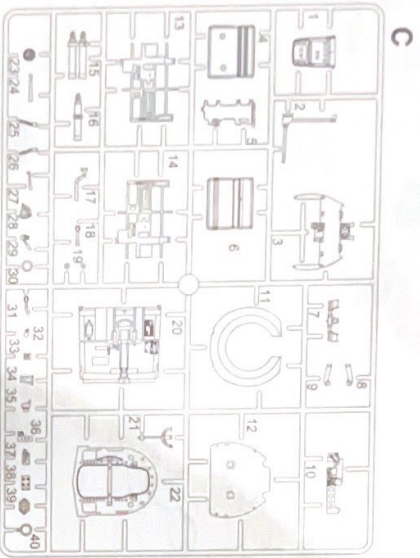


D



K





《蚀刻片》
Etched parts (PE)

不用零件:

- A8, A9, C30, D1, D3, D4, D5, D6, D10, D11, D12, D13, D23, D24, D25, D26, D27, D28, D29, D30, D31, D32, D33, D40, D41, D42, D45, D46, D47, D48, D49, D52, D53, D55, D56, D64, D66

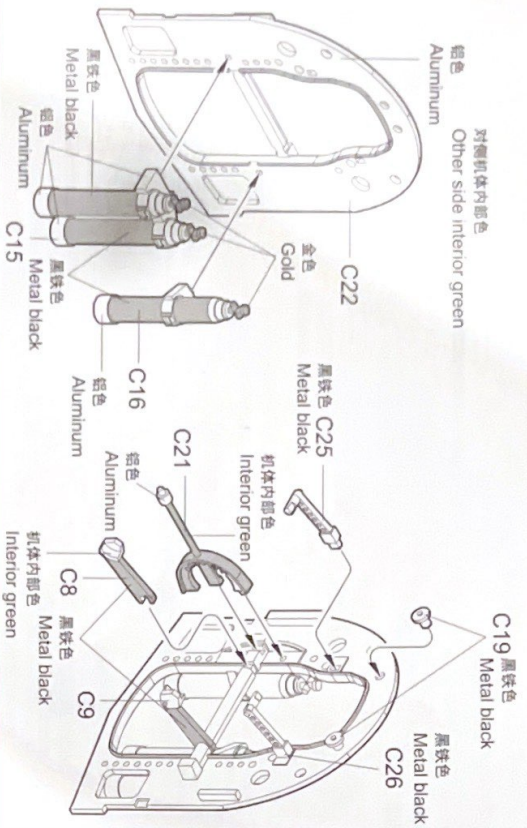
轴: Shaft: $\phi 1.0 \times 31.0\text{mm}$ 17PCS

水贴纸: Decals 1PCS

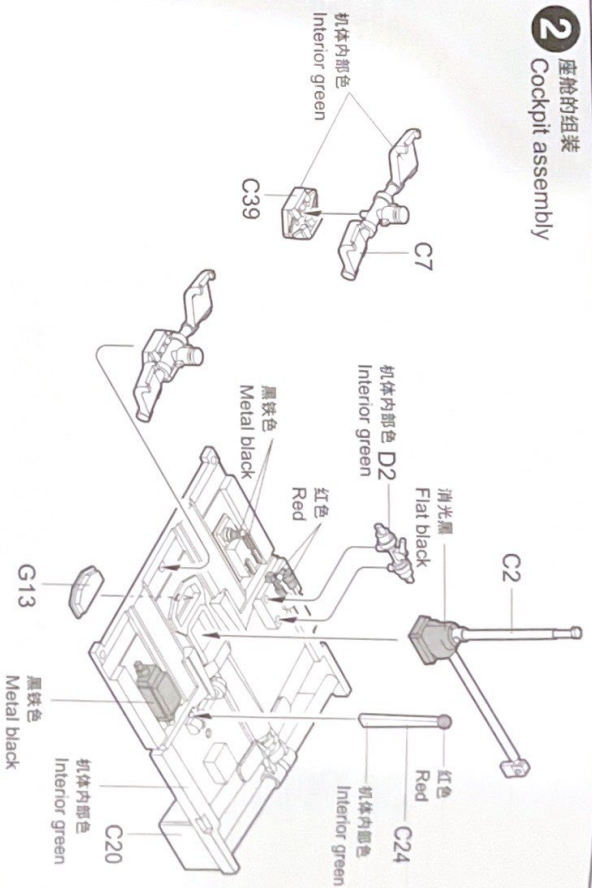
菲林片: Film 1PCS



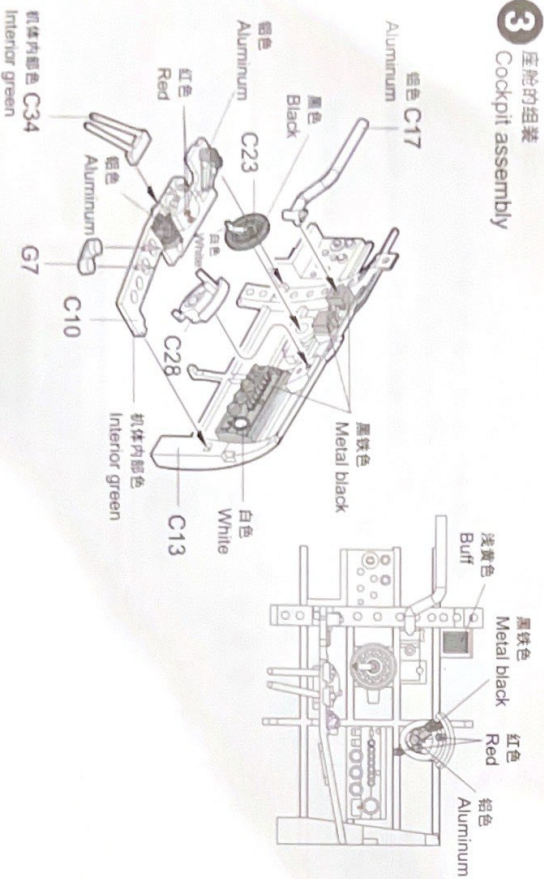
1 座舱的组装 Cockpit assembly



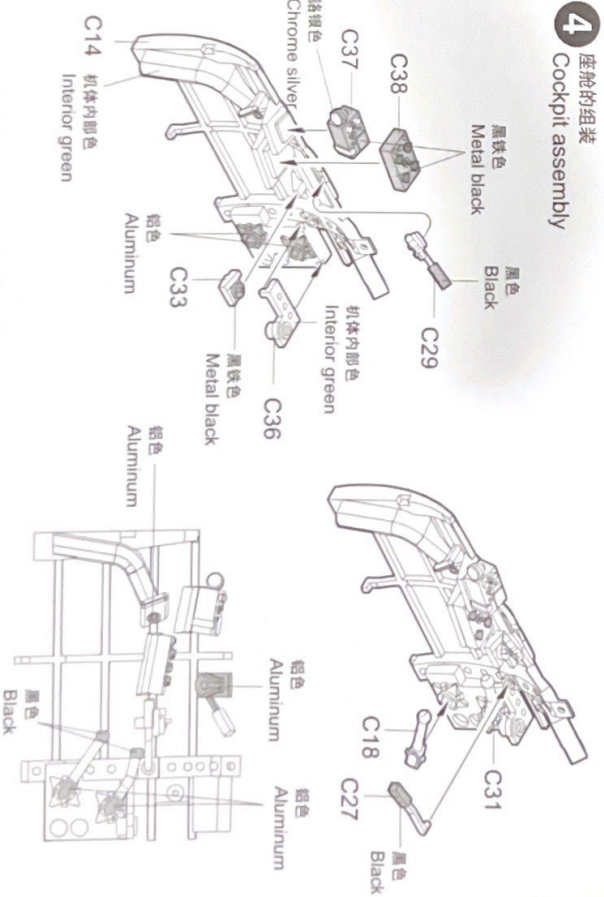
2 座舱的组装 Cockpit assembly



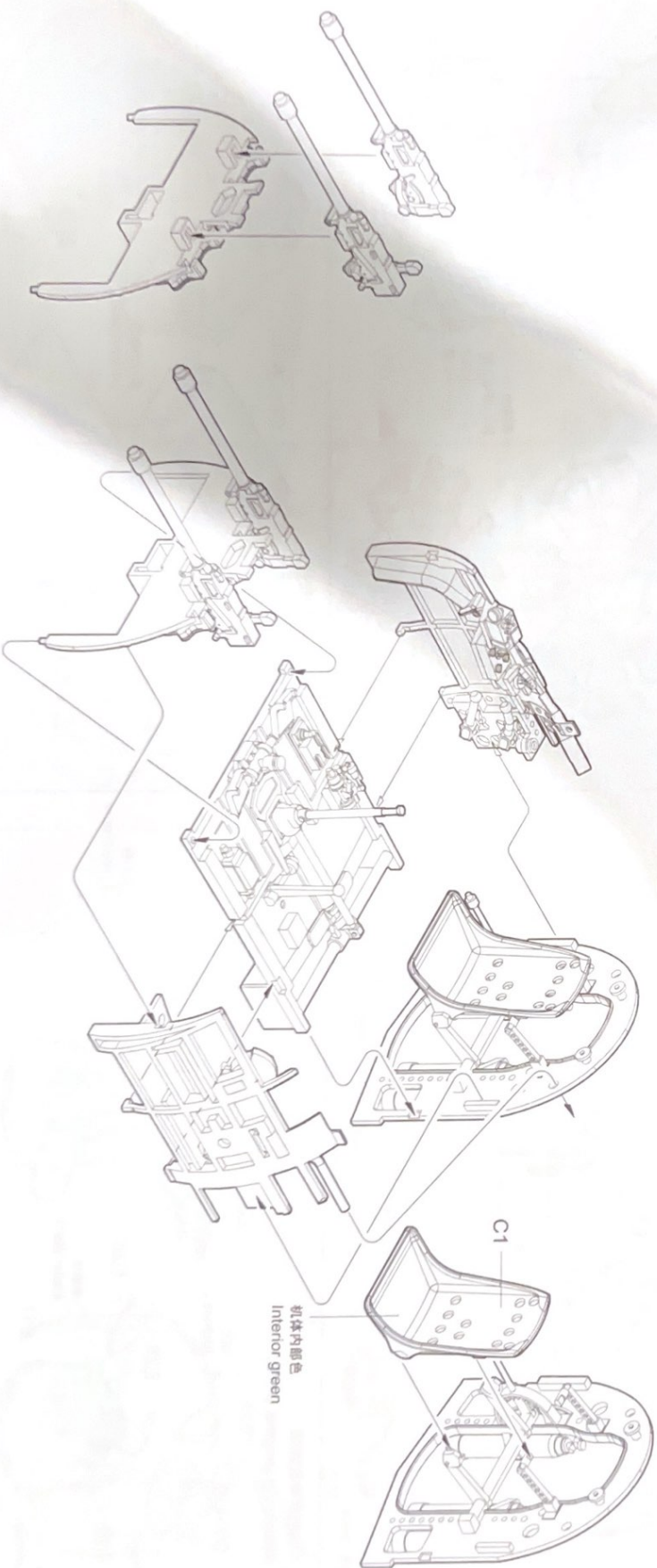
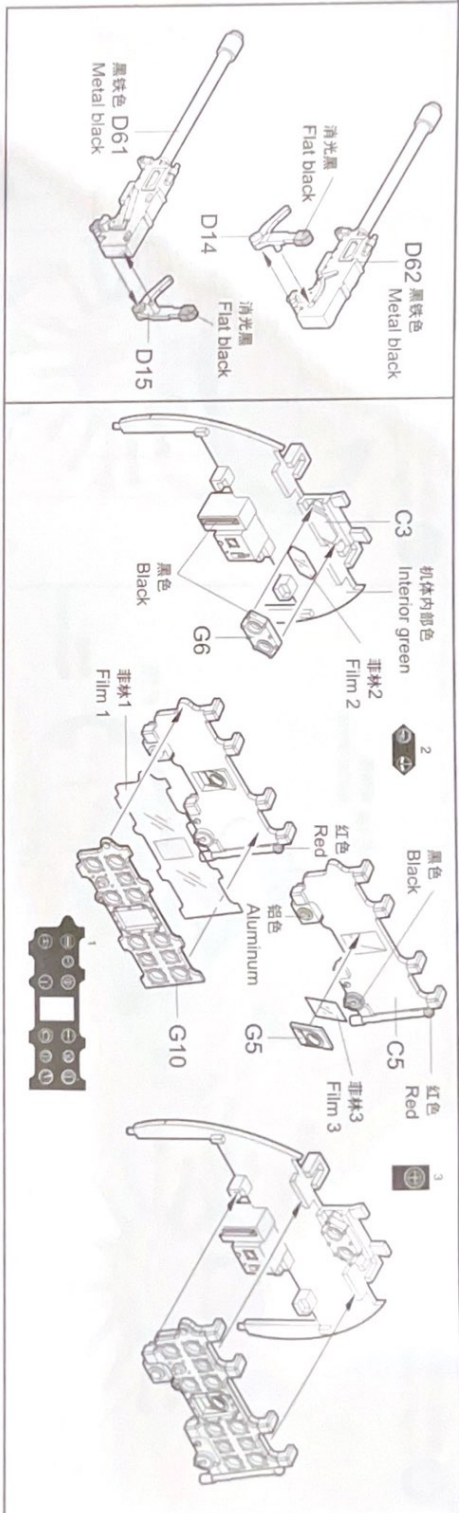
3 座舱的组装 Cockpit assembly



4 座舱的组装 Cockpit assembly

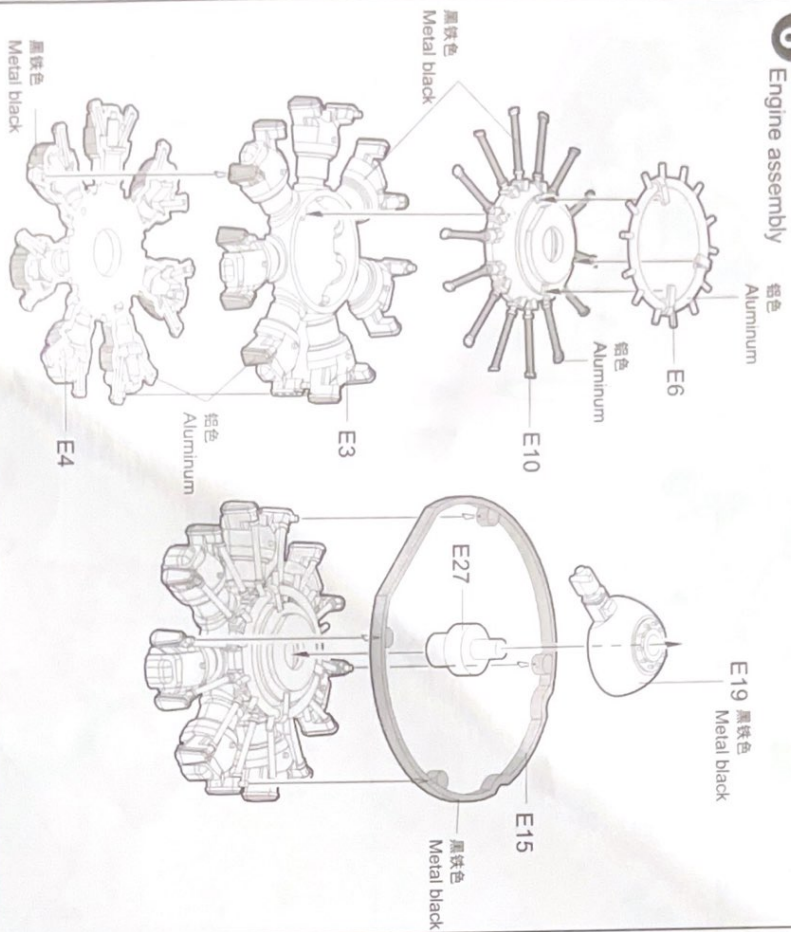


5 座舱的组装
Cockpit assembly

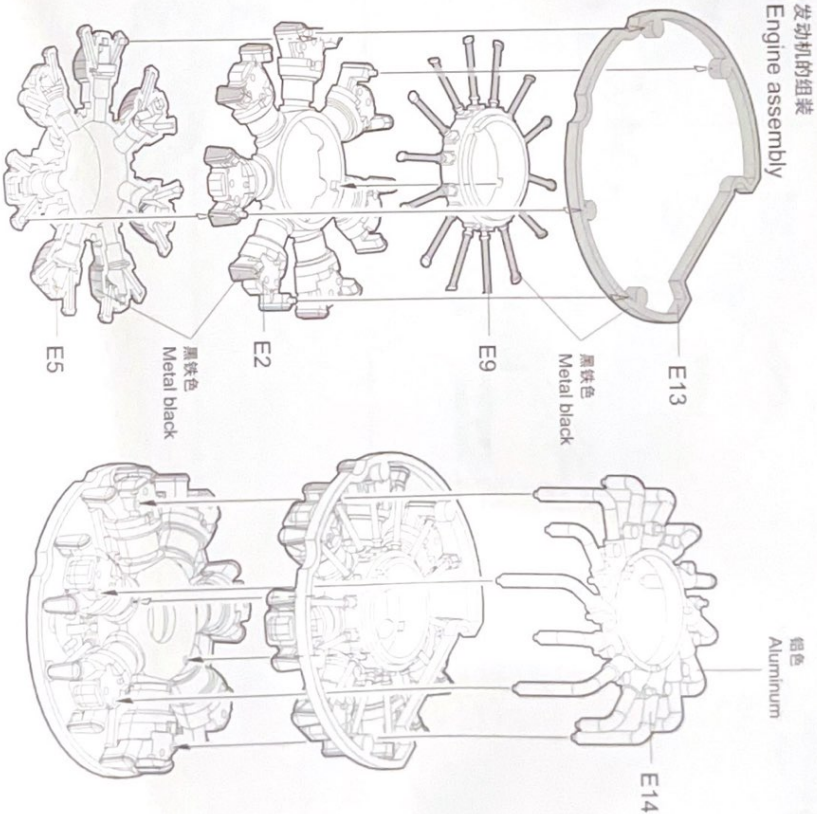


02410

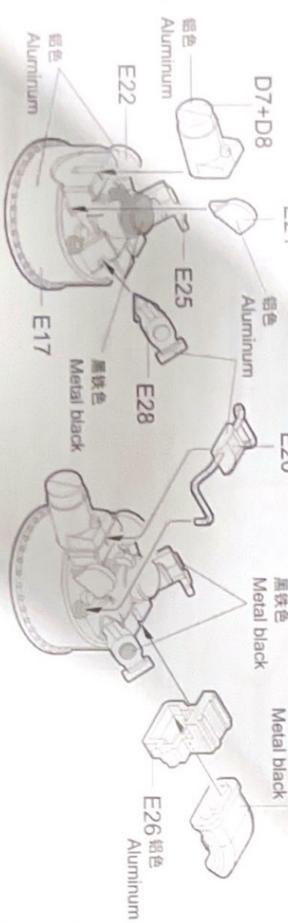
6 发动机的组装
Engine assembly



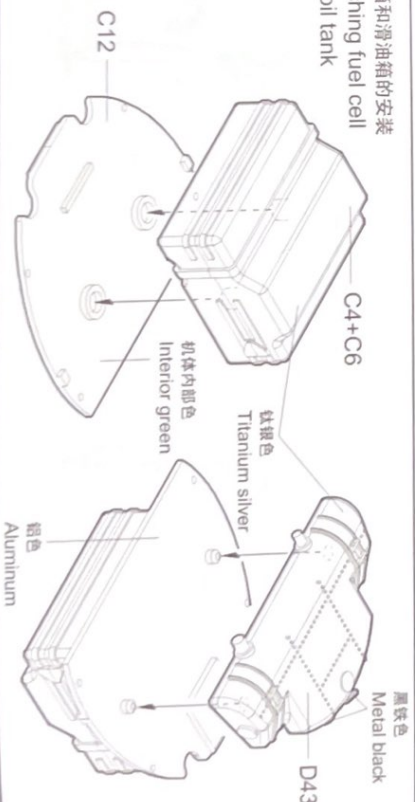
7 发动机的组装
Engine assembly



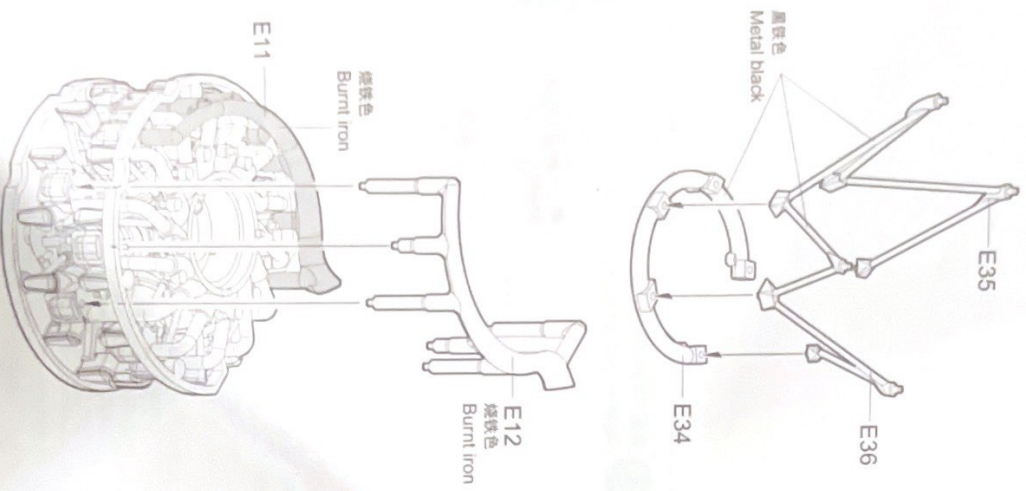
8 发动机零件的组装
Attaching engine parts



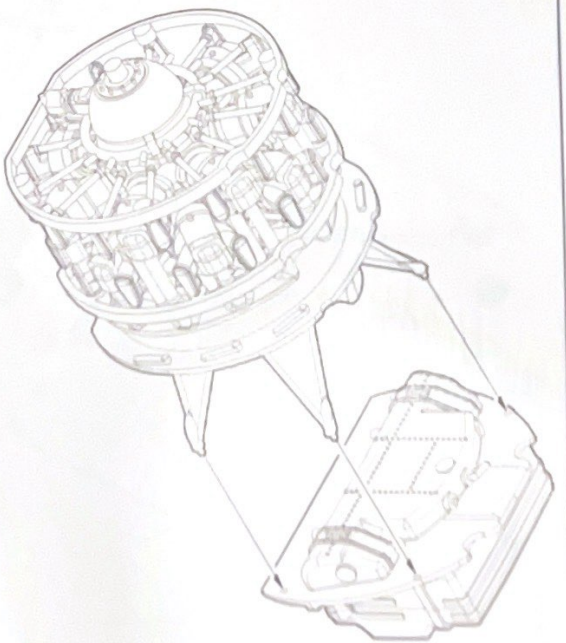
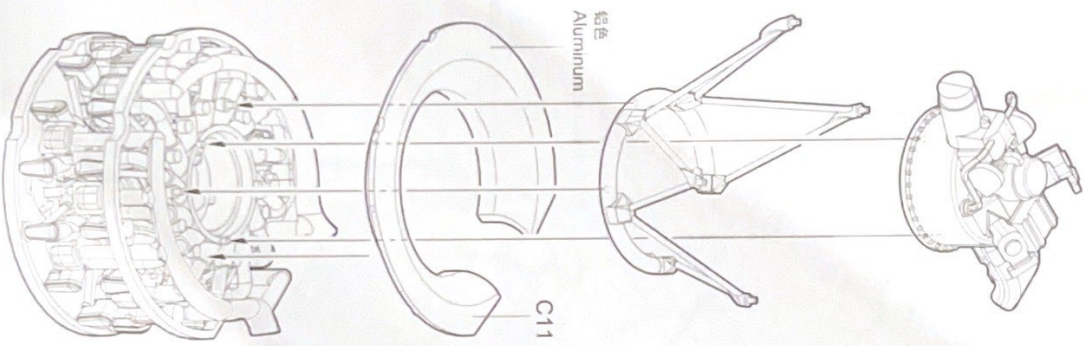
9 燃油箱和滑油箱的安装
Attaching fuel cell
and oil tank



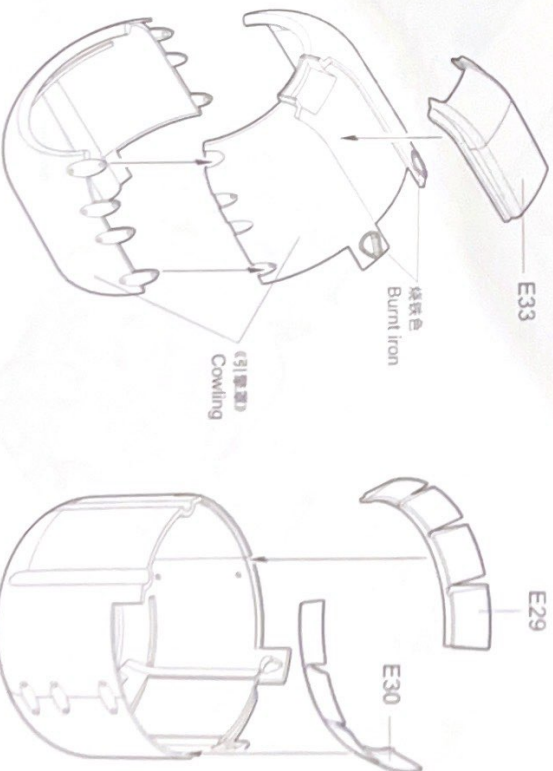
10 发动机的组装
Engine assembly



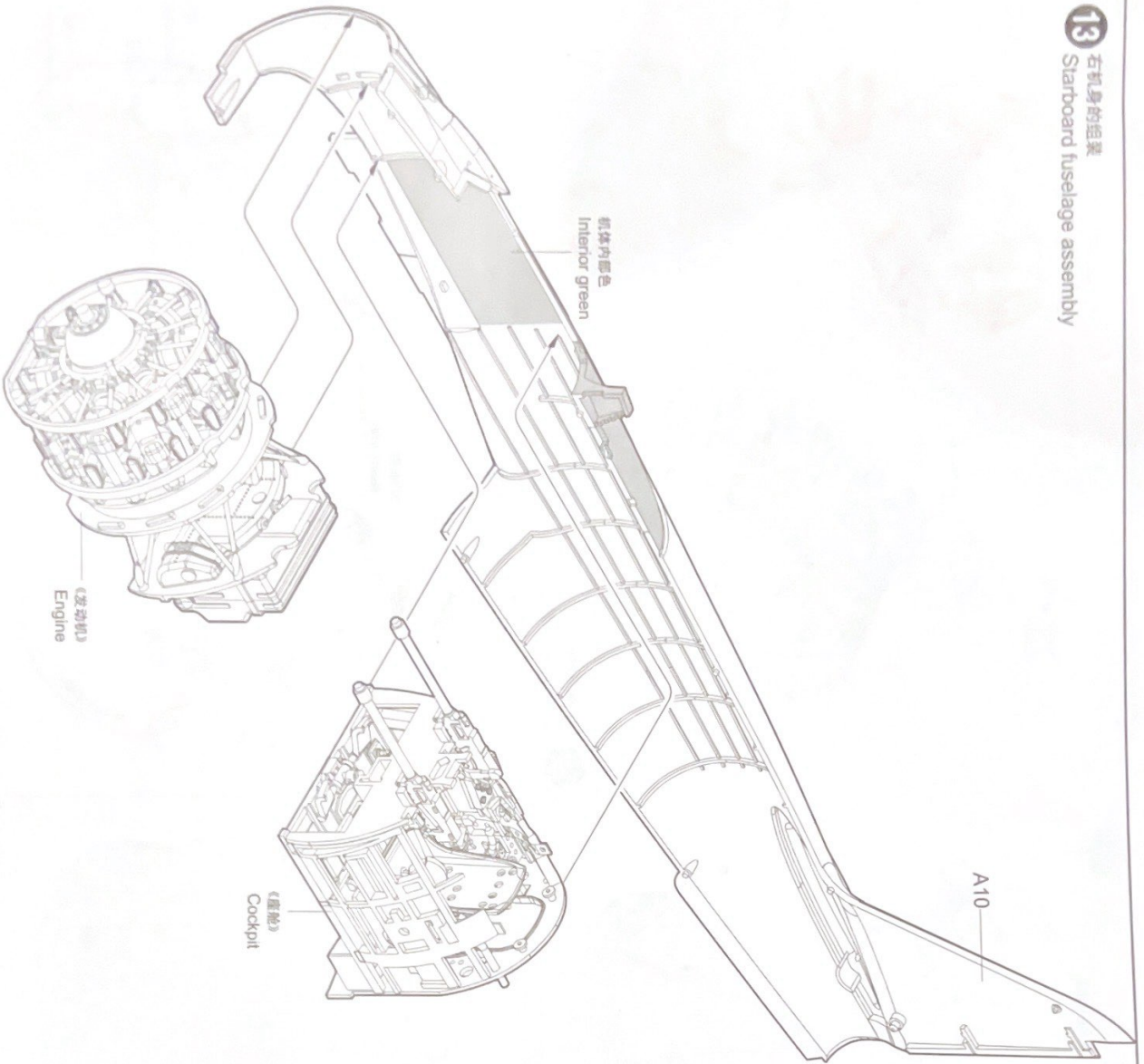
11 发动机的组装
Engine assembly



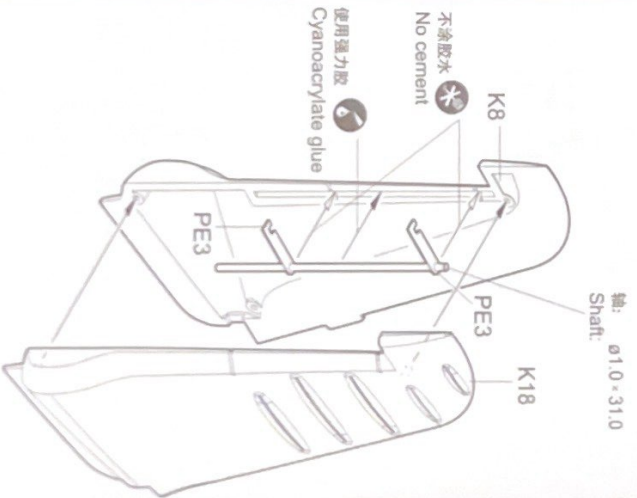
12 引擎罩的组装
Cowling assembly



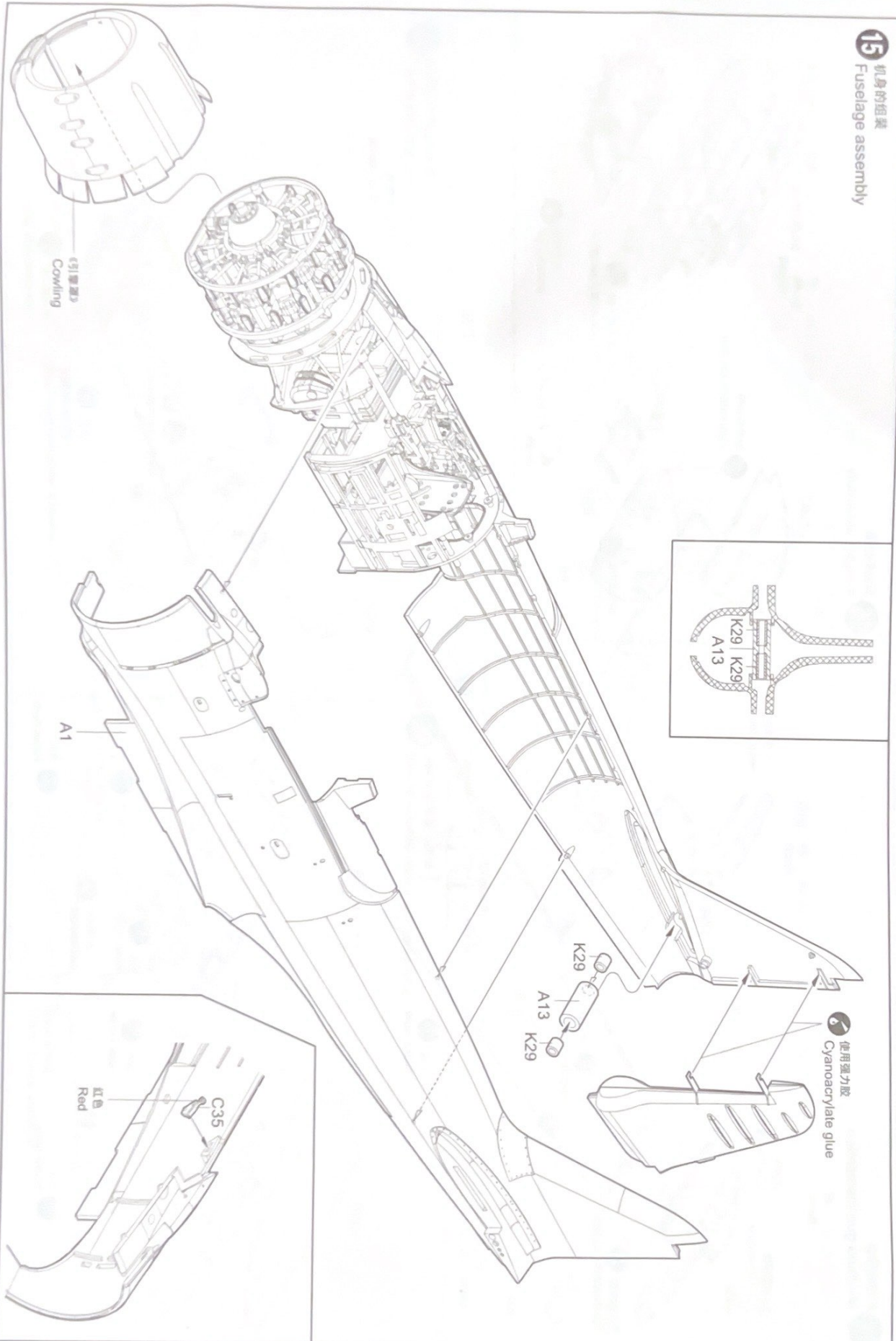
13 右机身的组装
Starboard fuselage assembly



14 垂直方向舵的组装
Rudder assembly



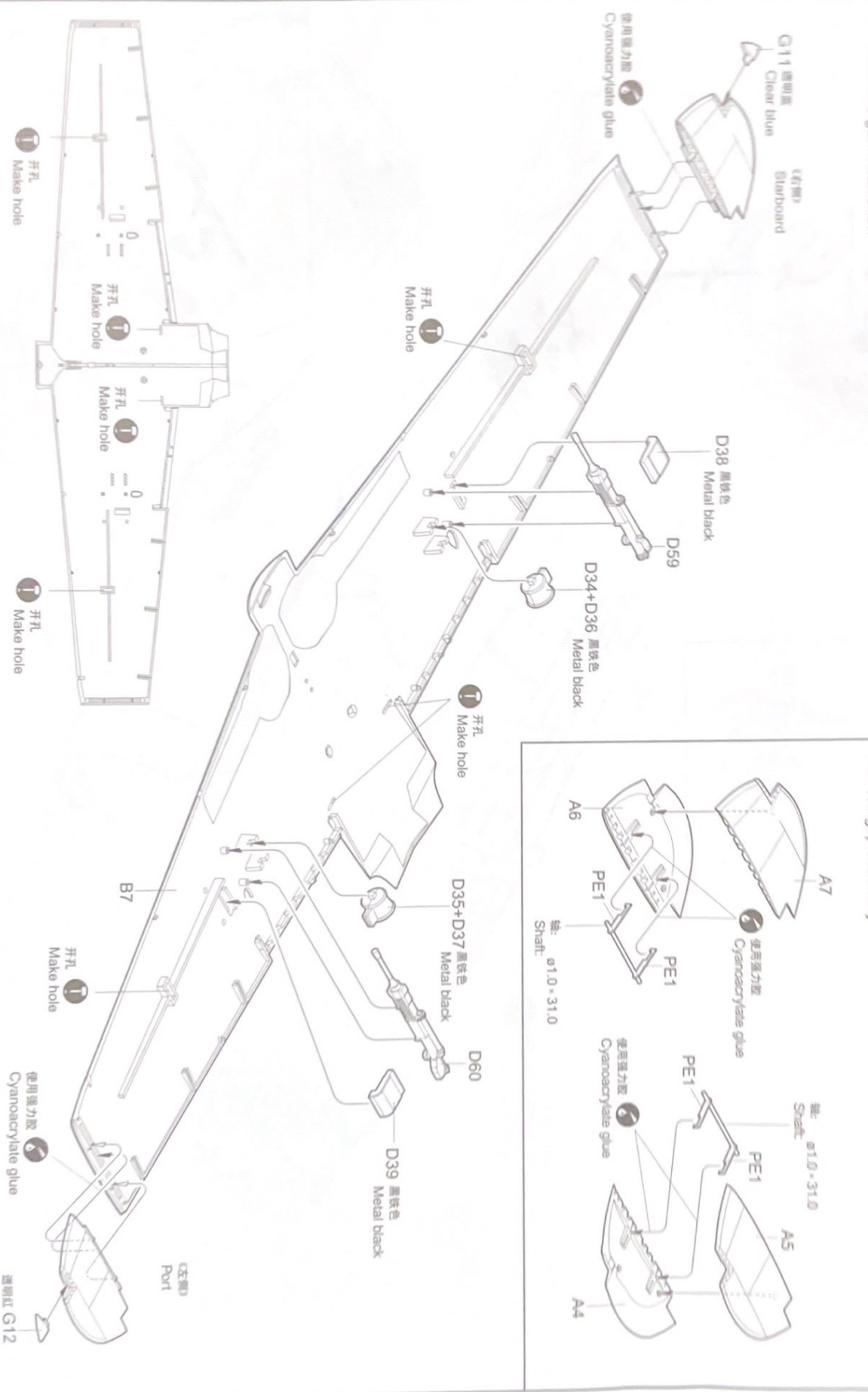
15 机身的组装
Fuselage assembly



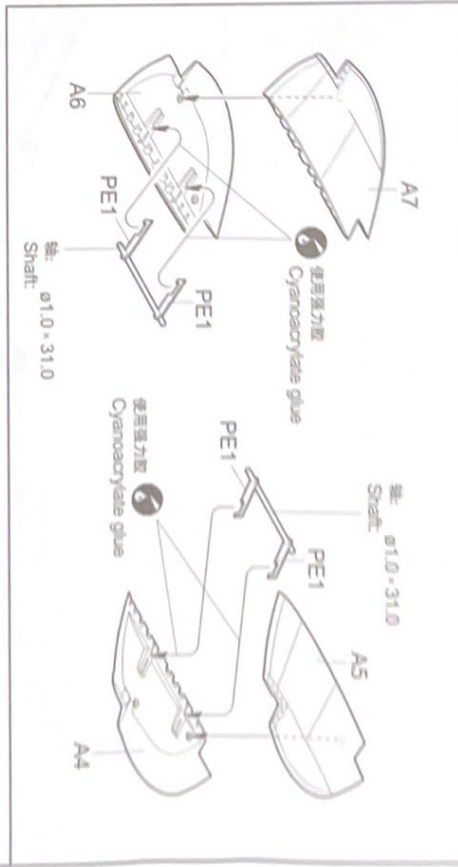
02410

9

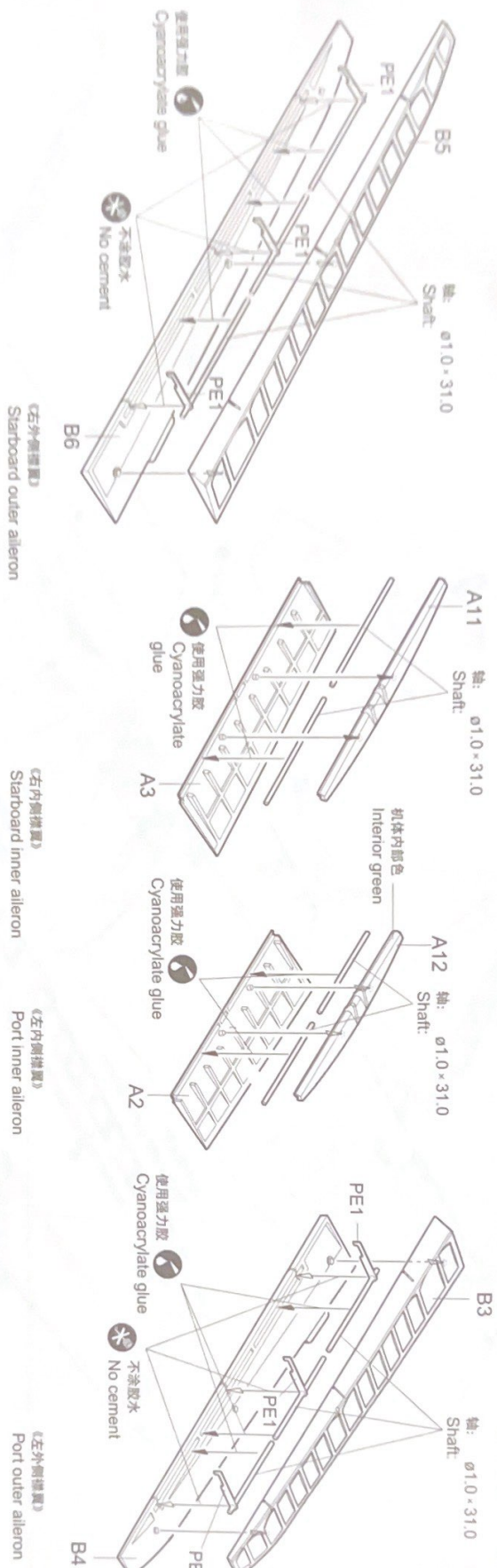
16 机舱的安装
Machine gun installation



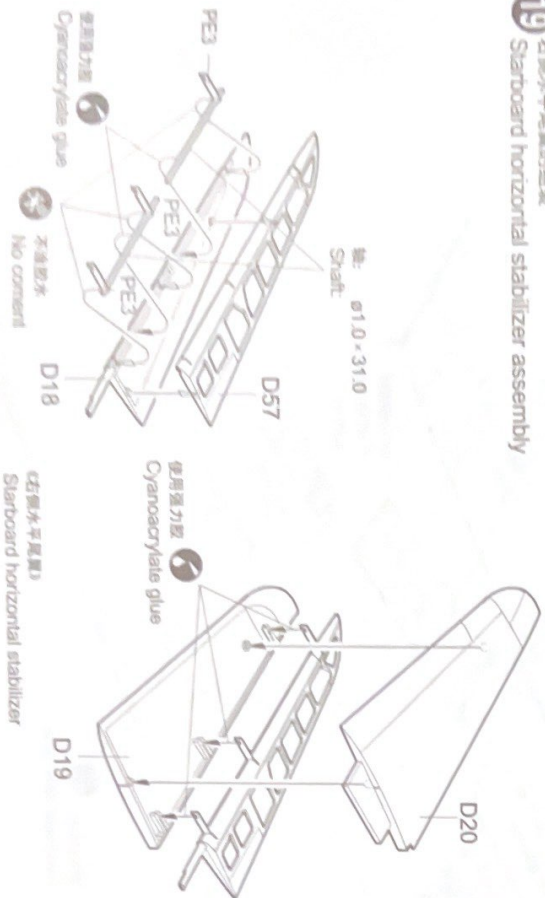
16 翼尖的组装
Wingtip assembly



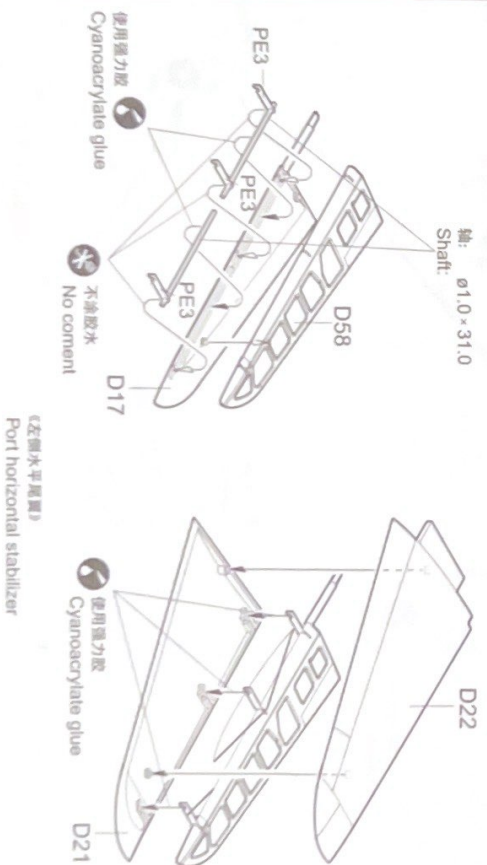
18 垂直的组架
Ailerons assembly



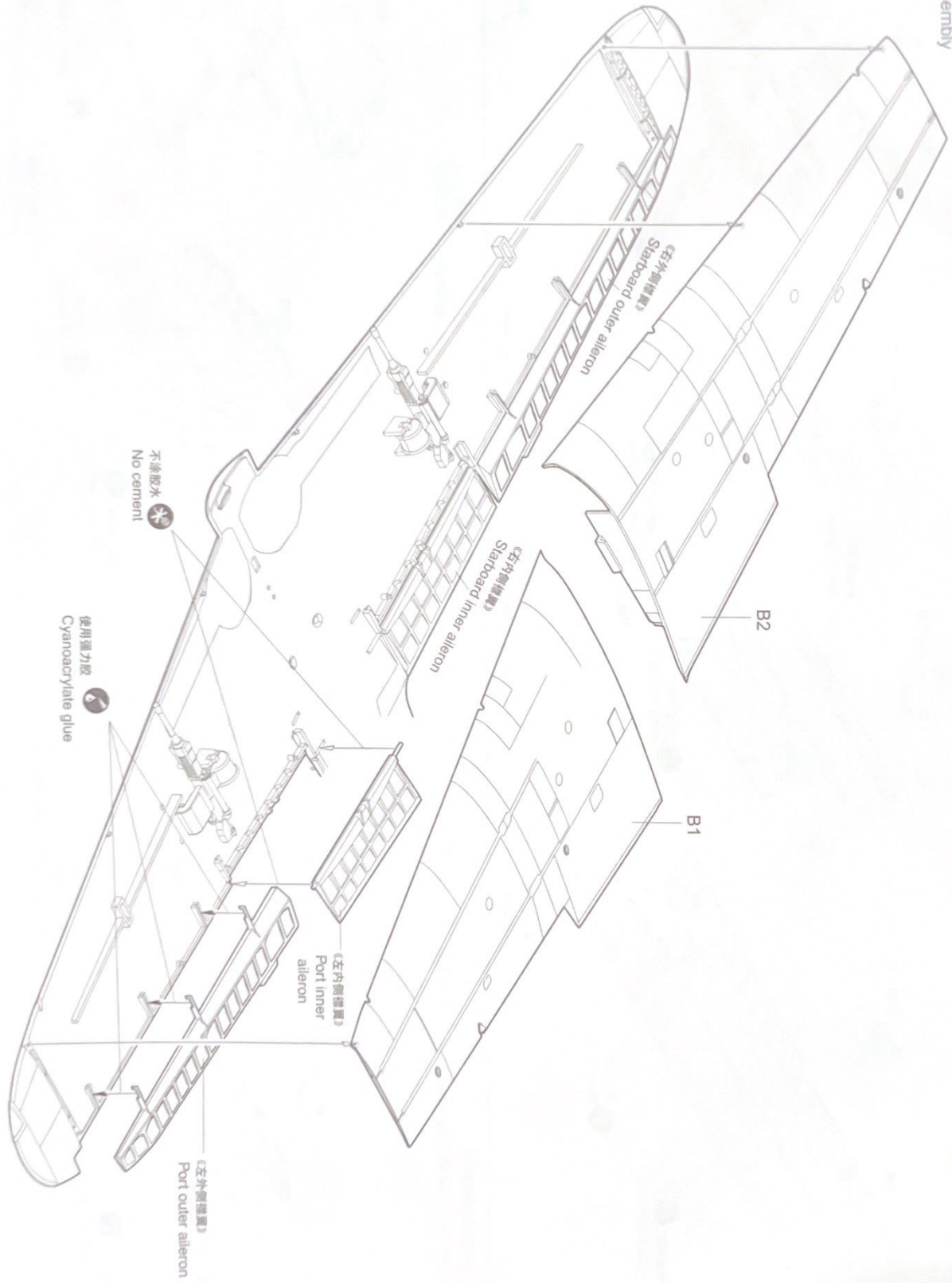
19 右侧水平尾翼的组架
Starboard horizontal stabilizer assembly



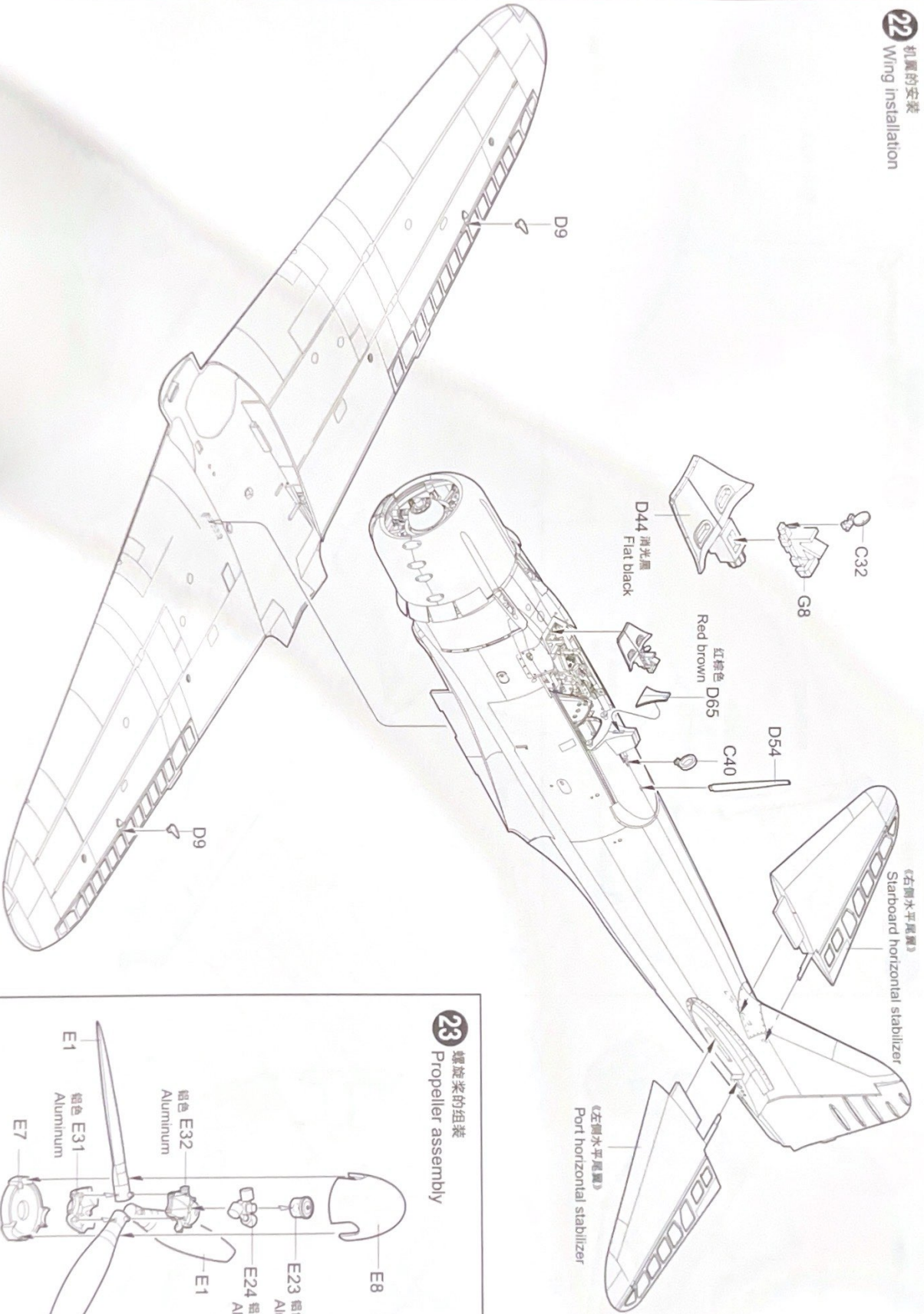
20 左侧水平尾翼的组架
Port horizontal stabilizer assembly



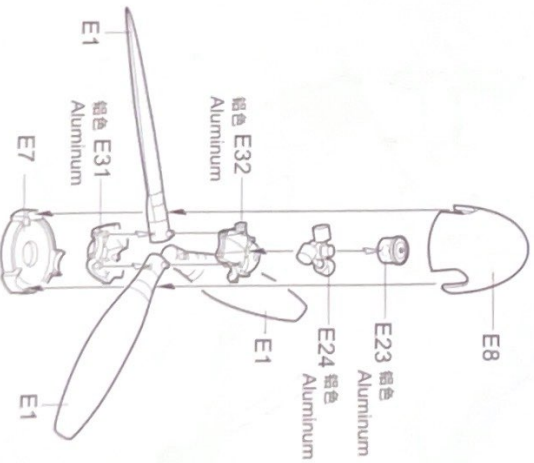
21 机翼的组装
Wing assembly



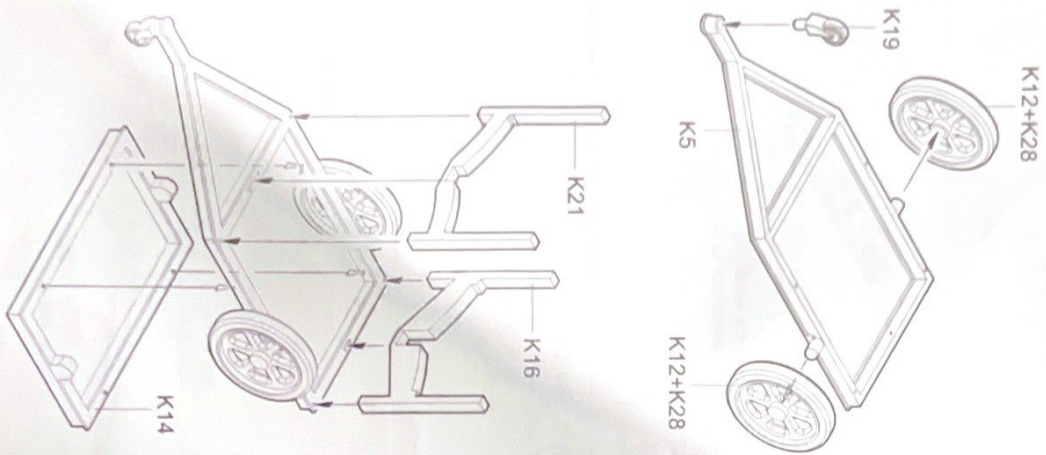
22 机翼的安装
Wing installation



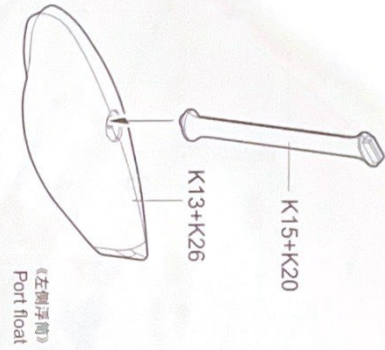
23 螺旋桨的组装
Propeller assembly



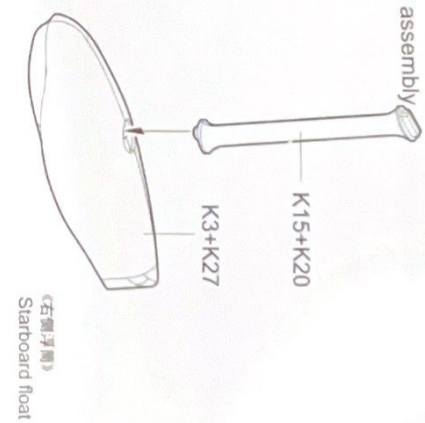
24 牵引车的组装
Tractor assembly



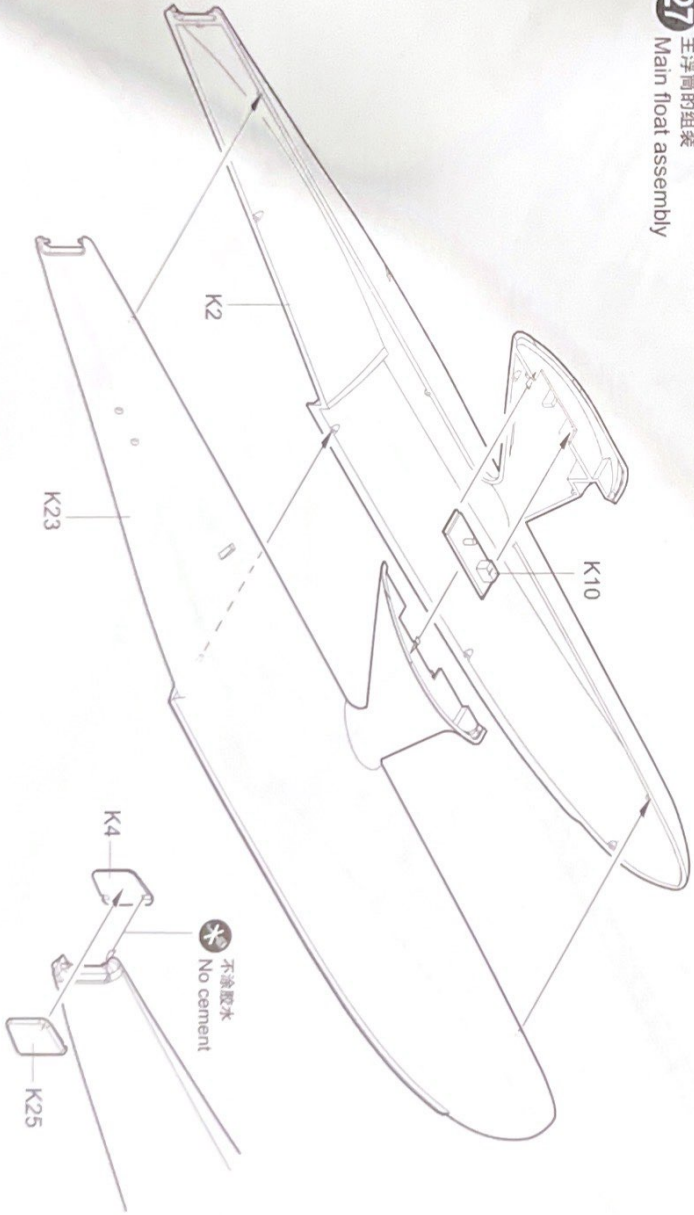
25 左侧浮筒的组装
Port float assembly



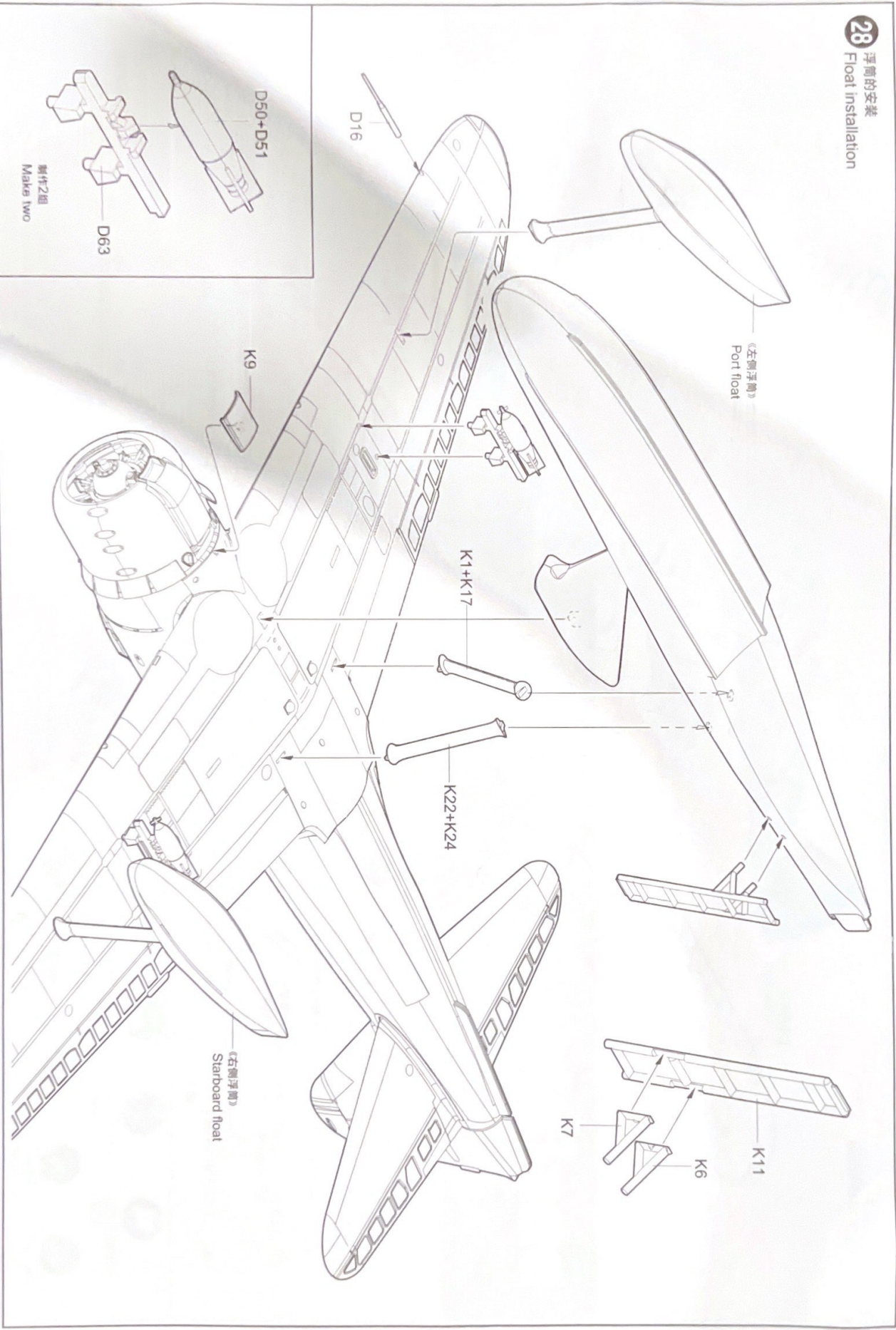
26 右侧浮筒的组装
Starboard float assembly



27 主浮筒的组装
Main float assembly

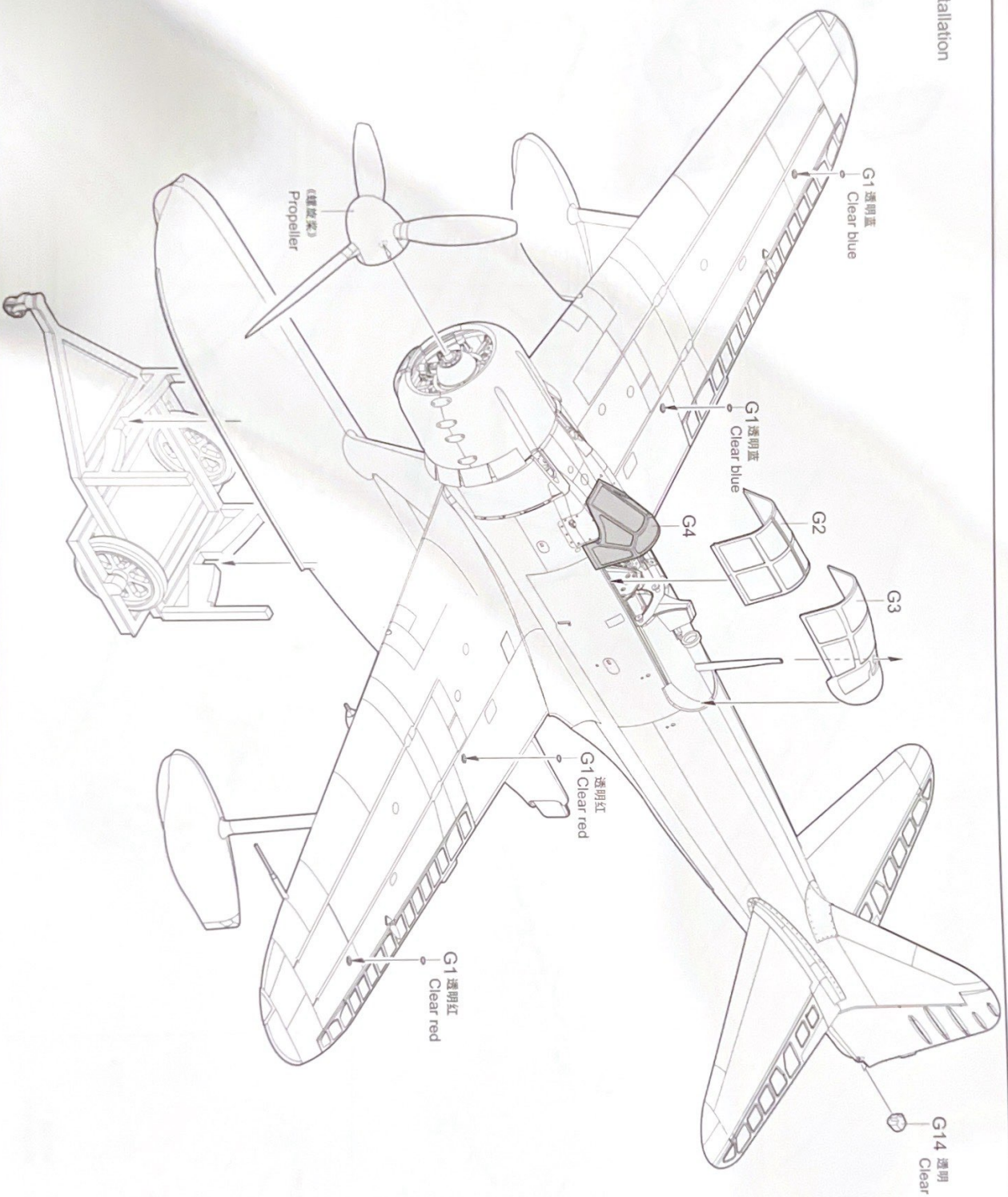


28 浮筒的安装
Float Installation



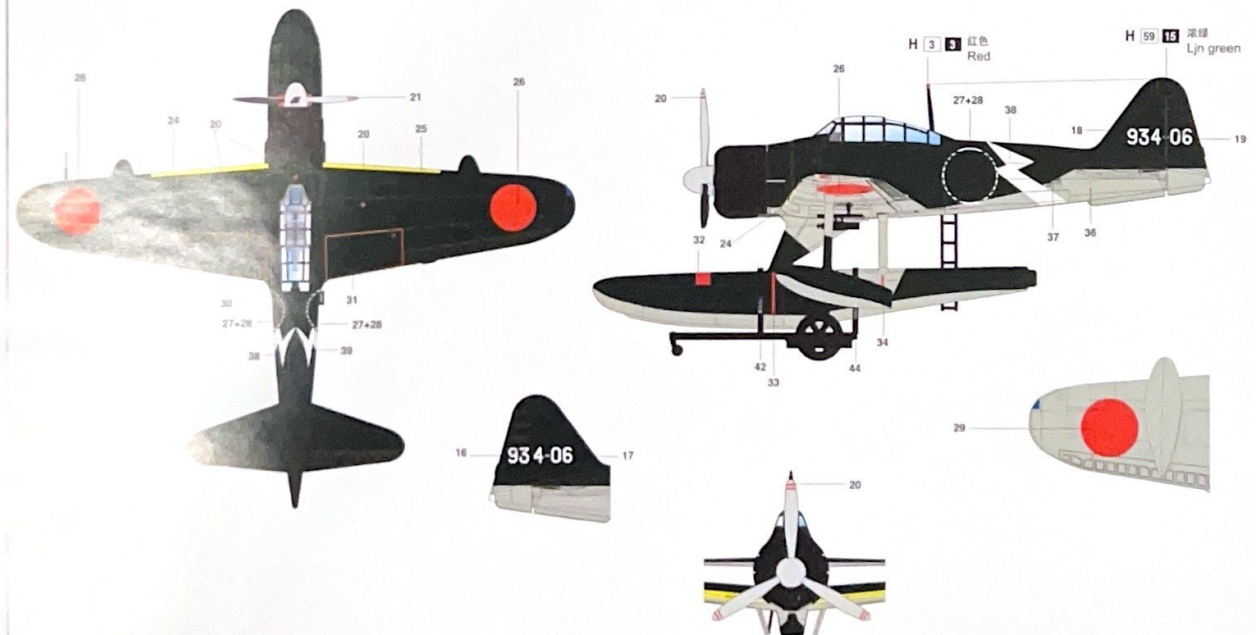
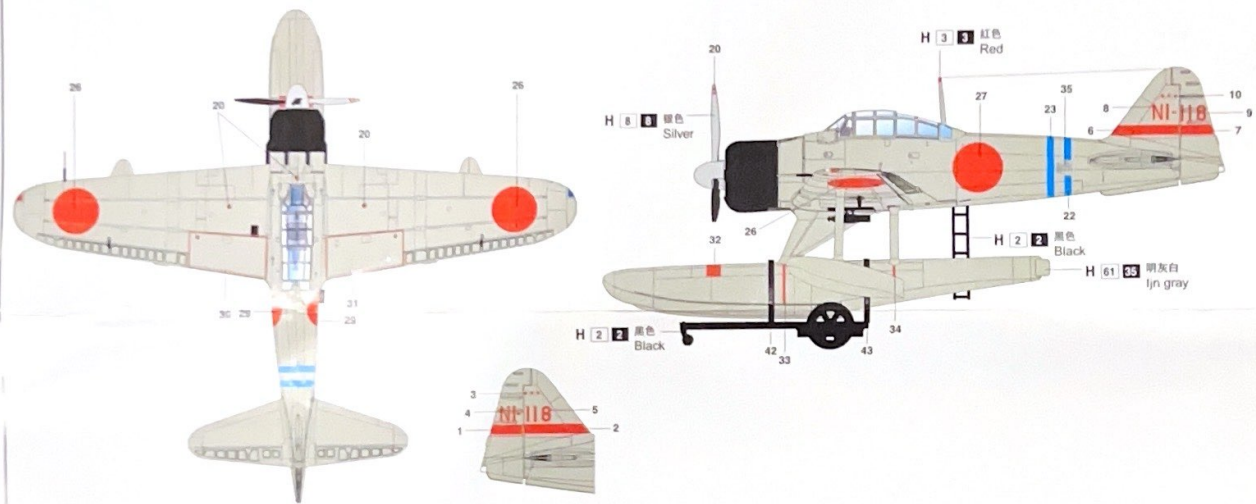
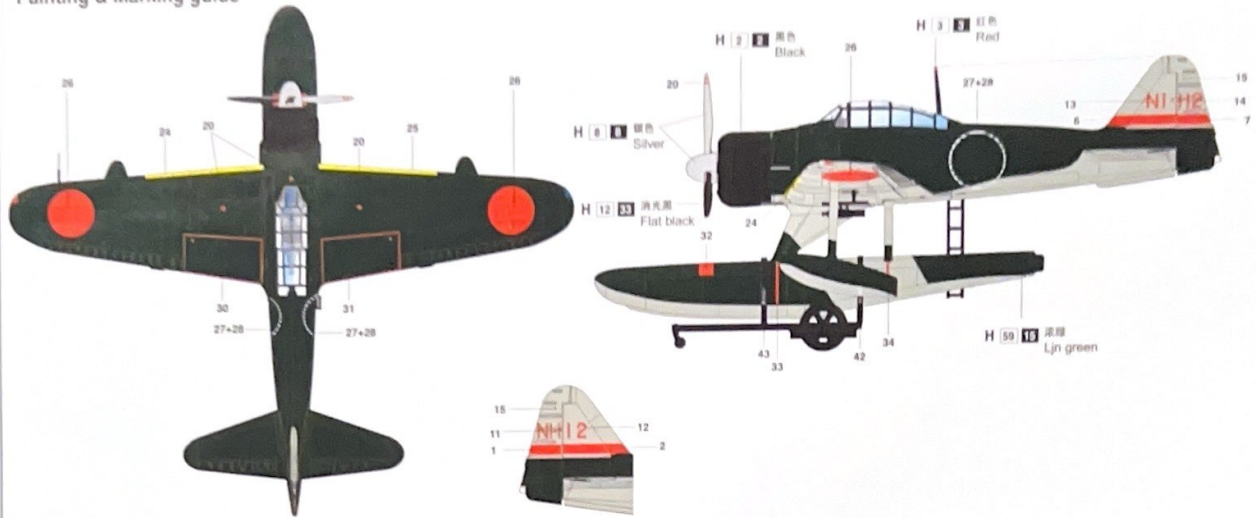
02410

29 座艙罩的安裝
Canopy Installation



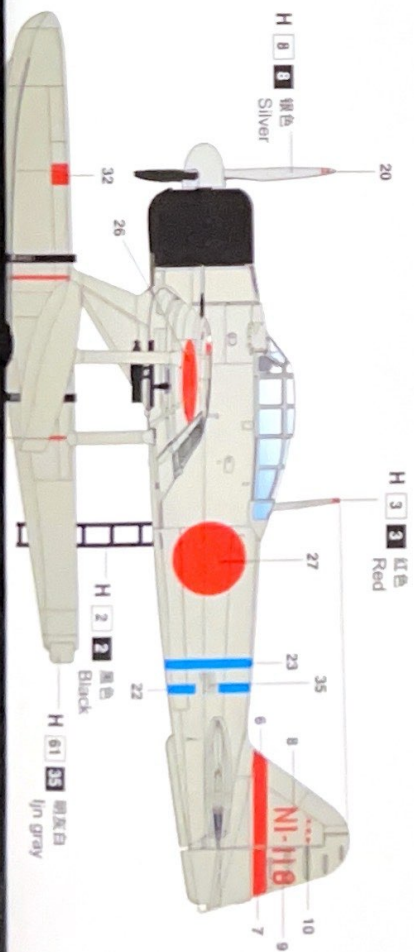
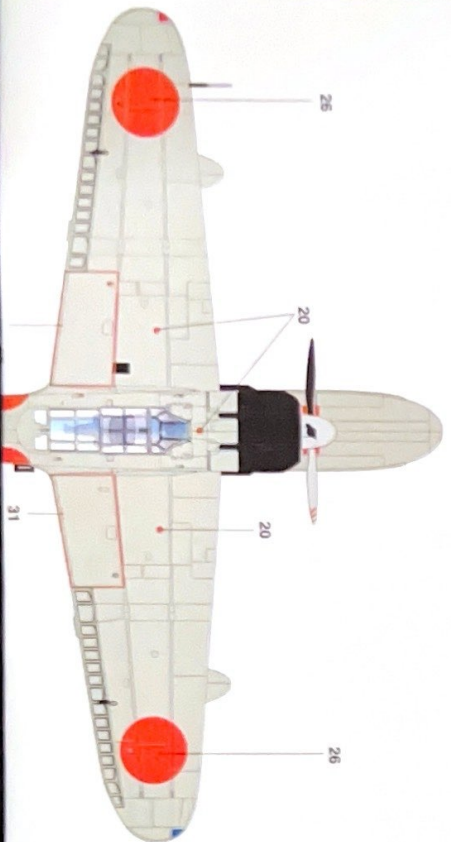
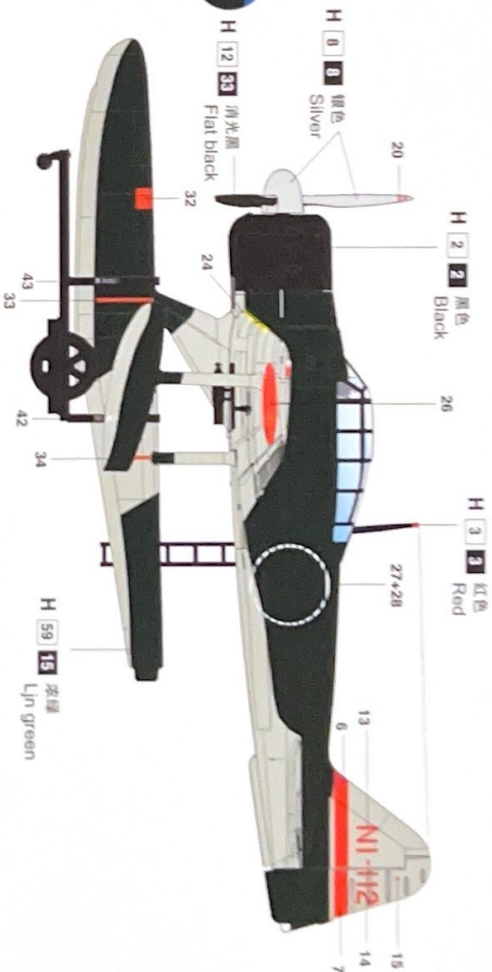
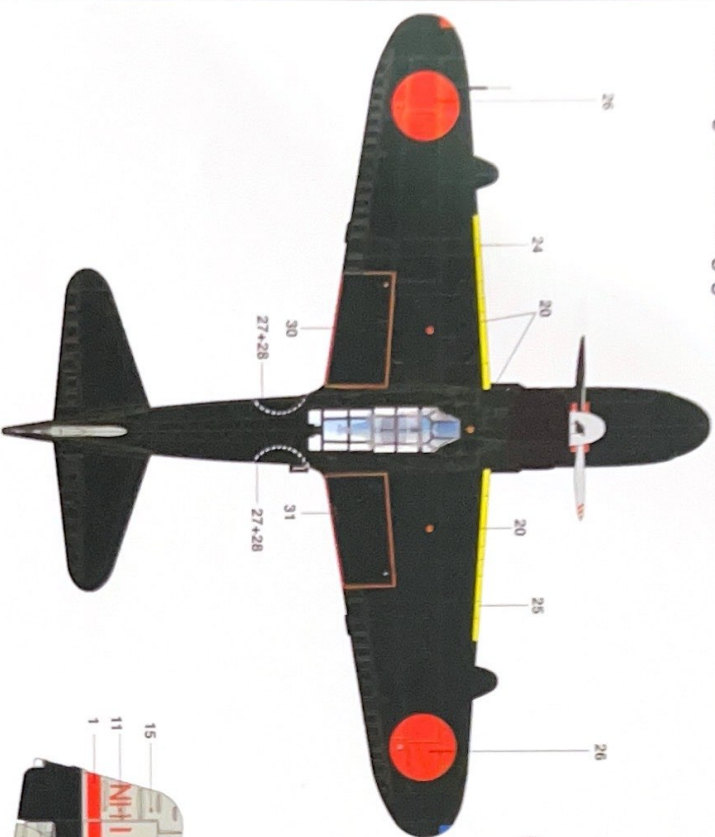
涂装同标贴指示
Painting & Marking guide

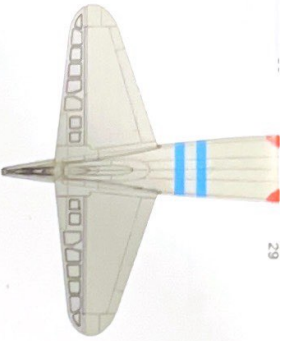
郡仕色使用 Gunze Mr. color used



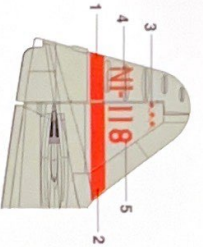
涂装同标贴指示 Painting & Marking guide

船仕色使用 Gunze Mr. color used



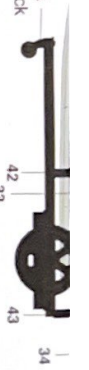


29

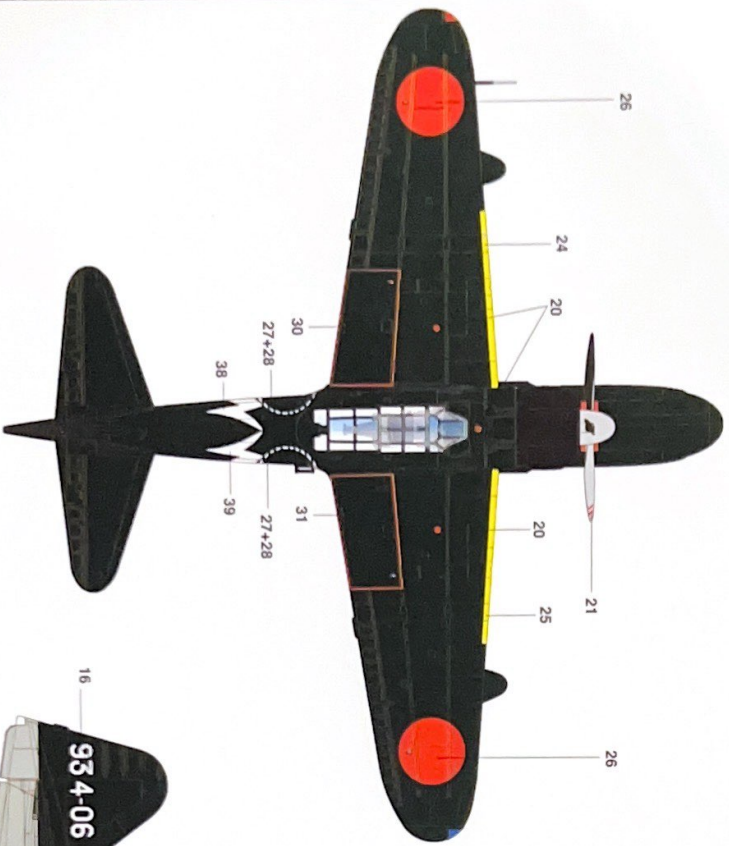


3
4
NH 118
5
1
2

H 2 2 黑色
Black



42
33
34
43



26

24

20

21

26

20

26

27+28

38

18

934-06

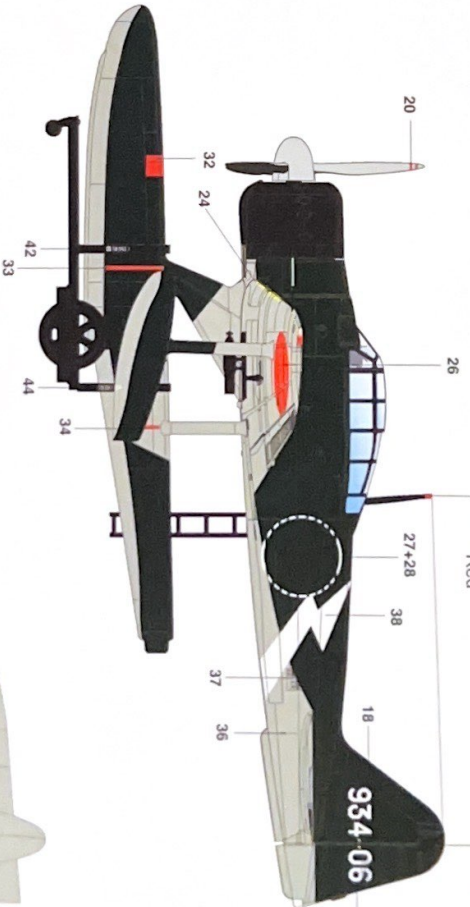
19

H 3 3 红色
Red

H 59 15 浅绿
Light green



16
934-06
17



20

26

27+28

38

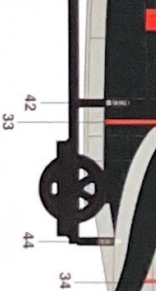
18

934-06

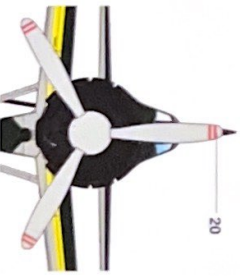
19

H 3 3 红色
Red

H 59 15 浅绿
Light green

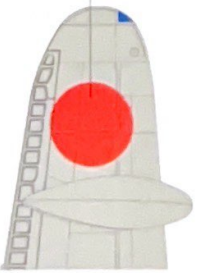


32
24
42
33
34
44



20

29



29

02410

Nakajima A6M2-N "Rufe" Floatplane

1/24



934-06934-06

NI-118

NI-118

NI-112 NI-112

PRINTED BY CANTONMAK MADE IN ITALY

02410 1/24 Nakajima A6M2-N "Rufe" Floatplane