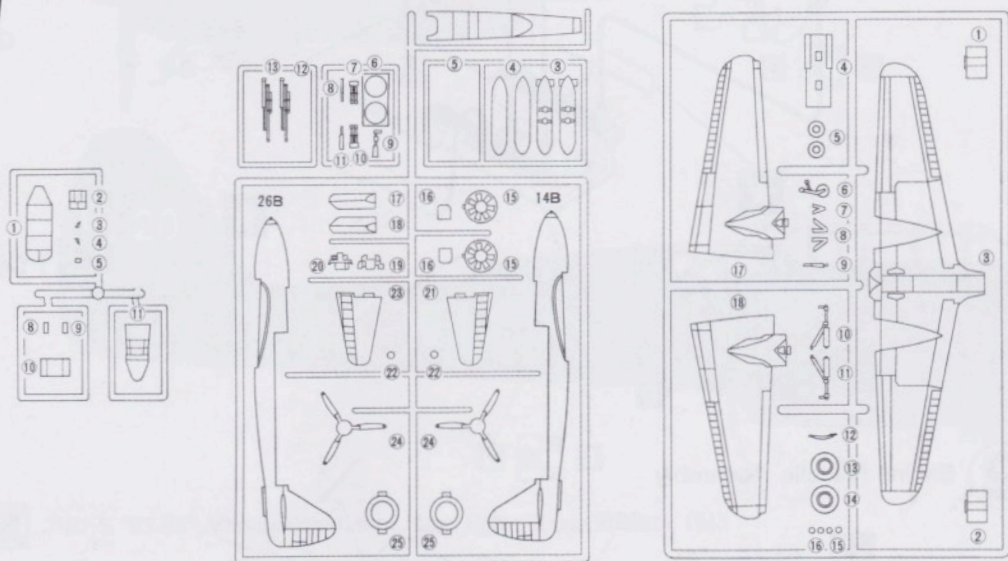
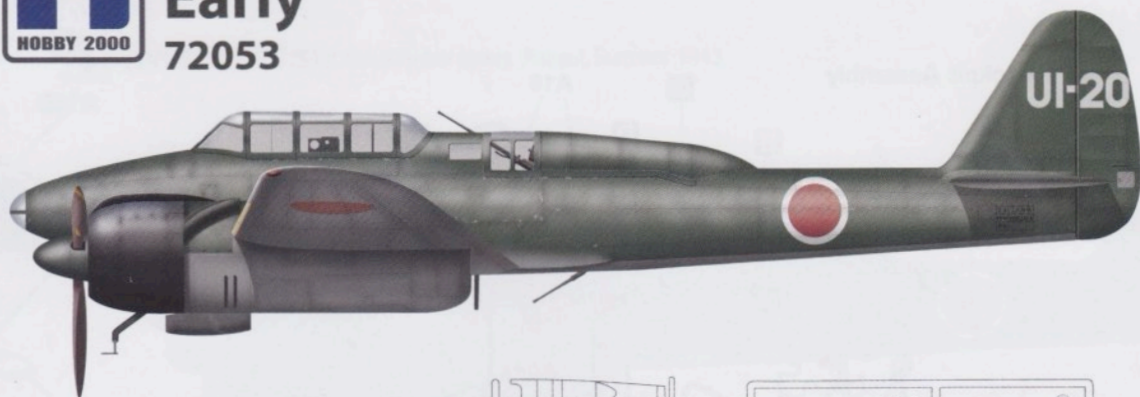




Nakajima J1N1-S "GEKKO" Early 72053



REMOVE
RETIER
ENTFERNEN
CORTAR
WYCIĄC
SEPARARE
ODSTRANIT



OPEN HOLE
FORO APERTO
OFFNEN
HACER AQUJERO
WYKONAC OTWOR
FAIRE UN TROU
VYVRTAT OTVOR



DECAL
DECALCOMANIE
ABZIEHBILD
CALCOMANIA
KALKOMANIA
DECALCOMANIE
OBTISK



DO NOT CEMENT
NE PAS COLLER
NICHT KLEBEN
NO PEGAR
NIE SKLEJAC
NON INCOLLARE
NELEPIT



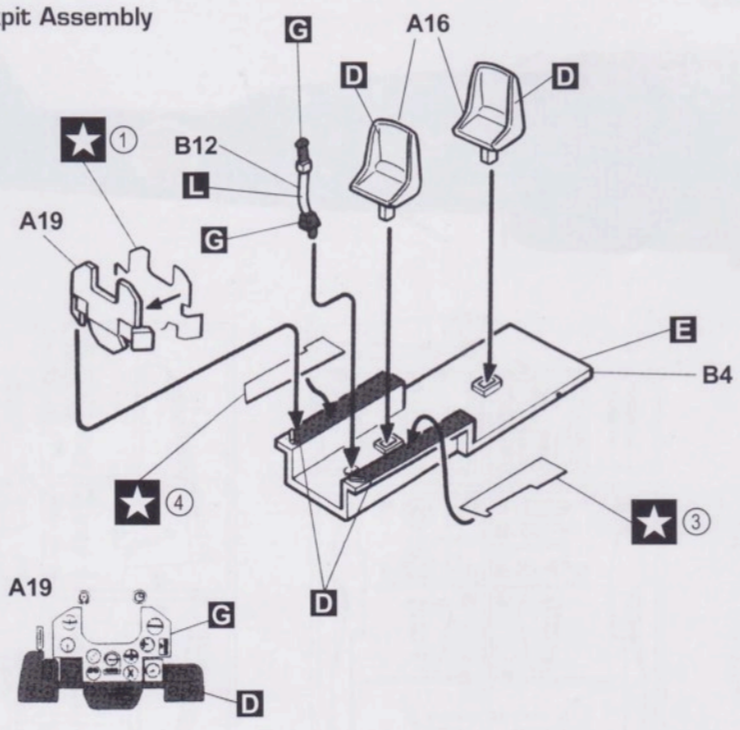
FILL HOLE
FORO PIENO
SCHLIESSEN
EMPUJE EL AQUJERO
ZAMKNAĆ OTWOR
BOUCHER LE TROU
ZAKRYJTE OTVOR



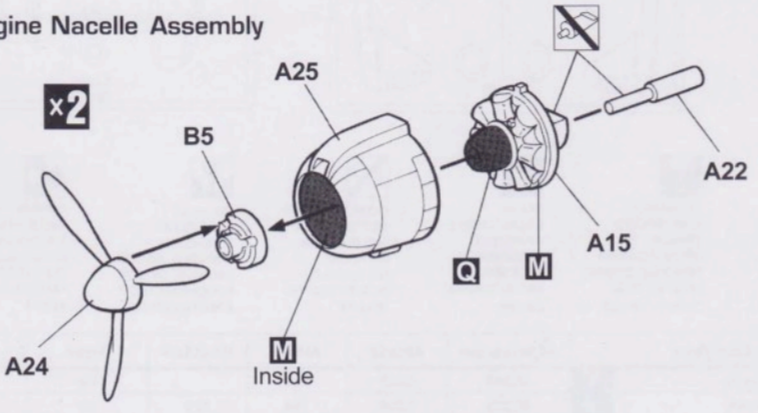
OPTION
FACULTATIF
NACH BELIEBEN
HACER AQUJERO
DO WYBORU
FACOLTATIVO
VOLBA

Color Chart		AK Interactive	Alclad2	AMMO	Mr. COLOR	Revell	TAMIYA
IJN D1 Black Green	A	RC304	E663	260		40	XF-70
IJN D2 Dark Green	B	RC305	E664	264	129	39	XF-11
IJN Grey	C	RC302	E662	263	56	175	XF-12
Nakajima Interior Green	D	RC307	E668	269	127		XF-71
Metallic Blue Green	E	AK-11898	E646	267	57		X-13
Anti-Glare Blue-Black	F	AK-11895	E666	250		69	XF-1
Flat Black	G	RC001	102	046	33	08	XF-1
Propeller Red	H	RC067	E252	014	131	184	XF-64
Gun Metal	I	RC015	120	045	214		X-10
Aluminium	J	RC020	119	194	MC-218	99	XF-16
Burnt Metal	K	RC015	194	187	61		XF-84
Silver	L	AK-478	401	195	8	90	X-11
Steel	M	AK-476	112	191	028	91	X-11
Clear Red	N	RC503	401	093	47	731	X-27
Clear Blue	O	RC504	403	098	50	752	X-23
Tyre Black	P	RC022	E310	033	137	06	XF-85
Grey	Q	RC329	E202	258	13	57	XF-91

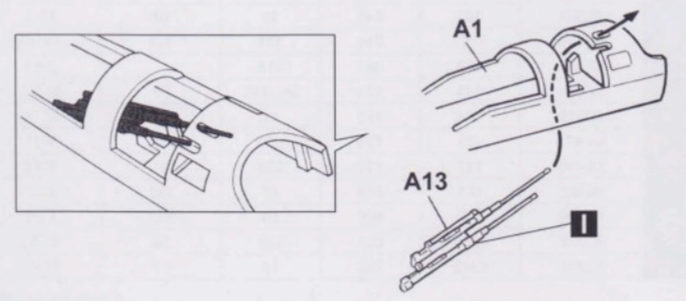
1 Cockpit Assembly



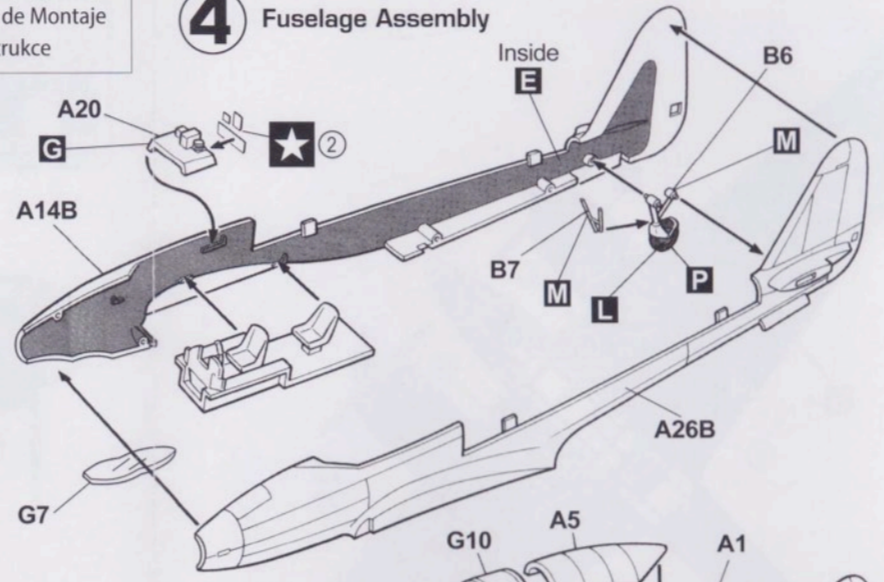
2 Engine Nacelle Assembly



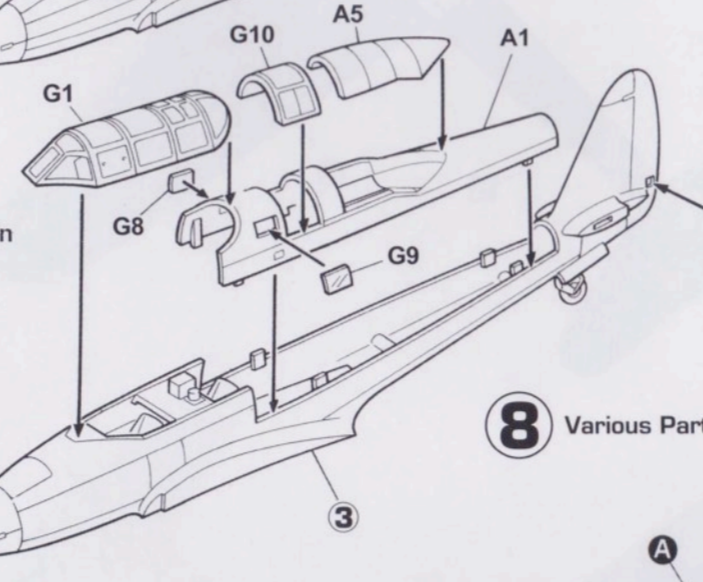
3 Cannons Installation



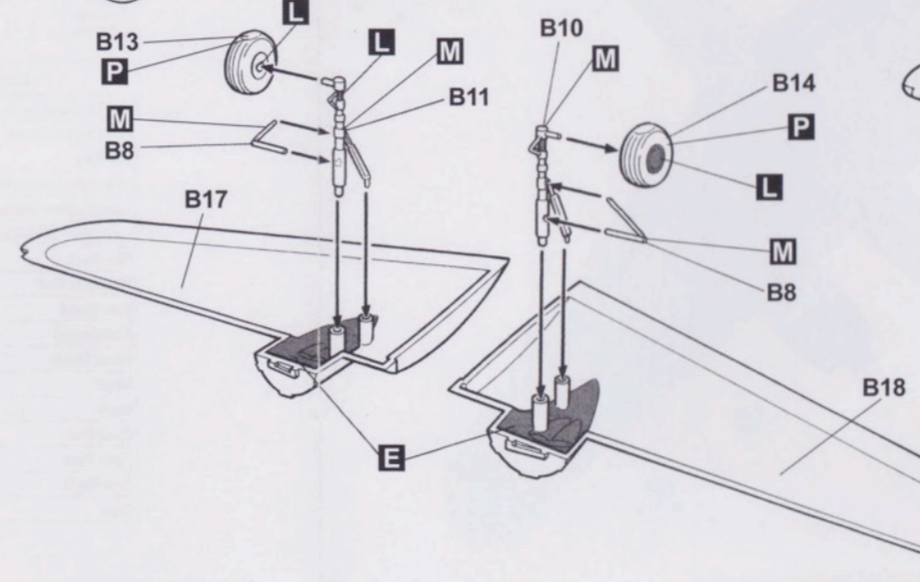
4 Fuselage Assembly



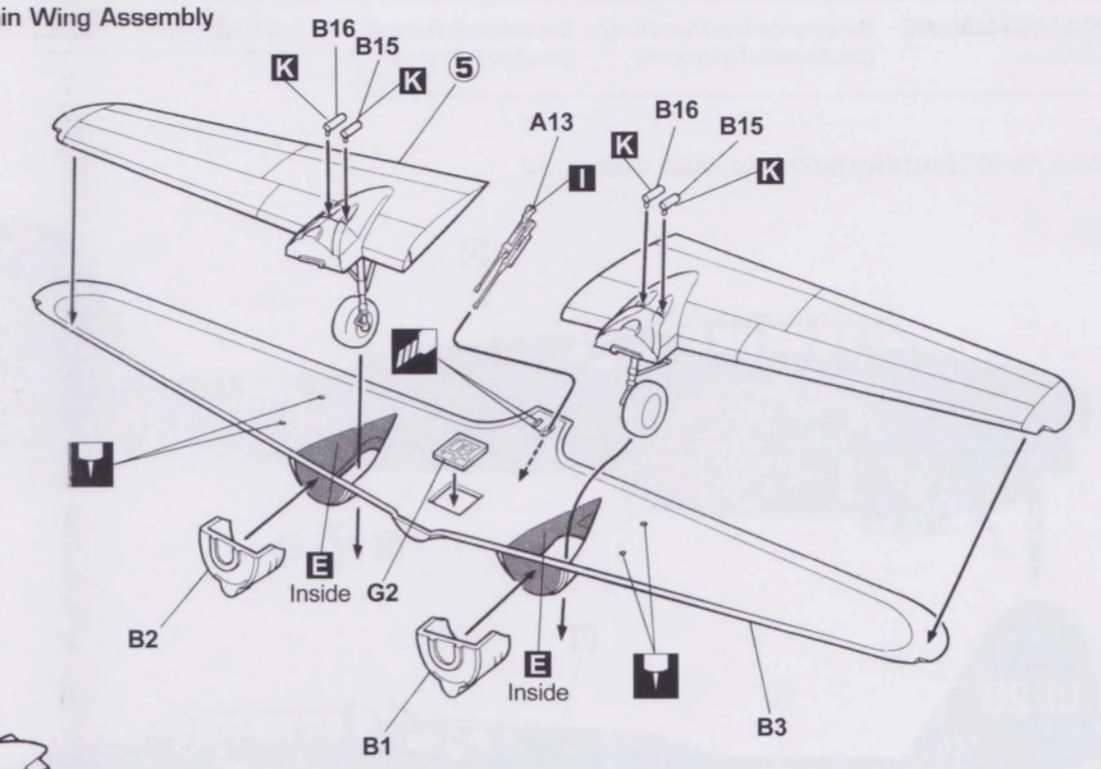
5 Canopy Installation



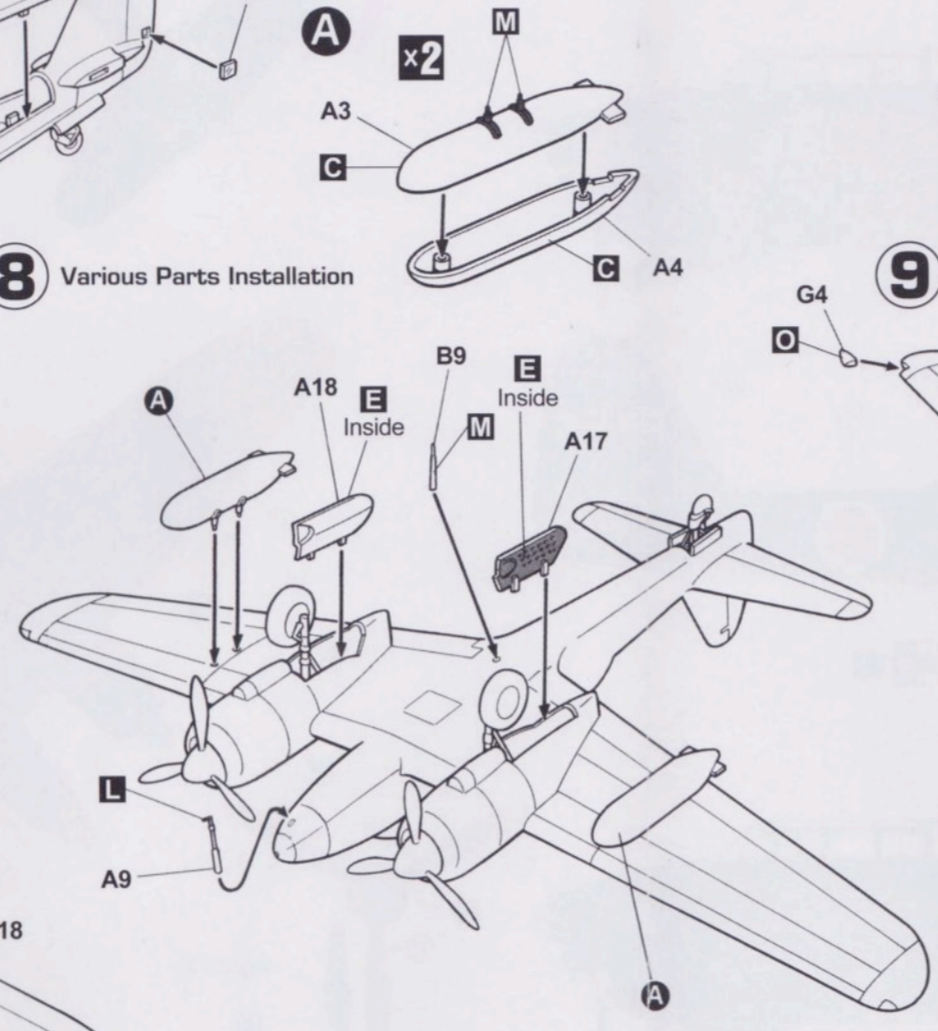
6 Main Gear Installation



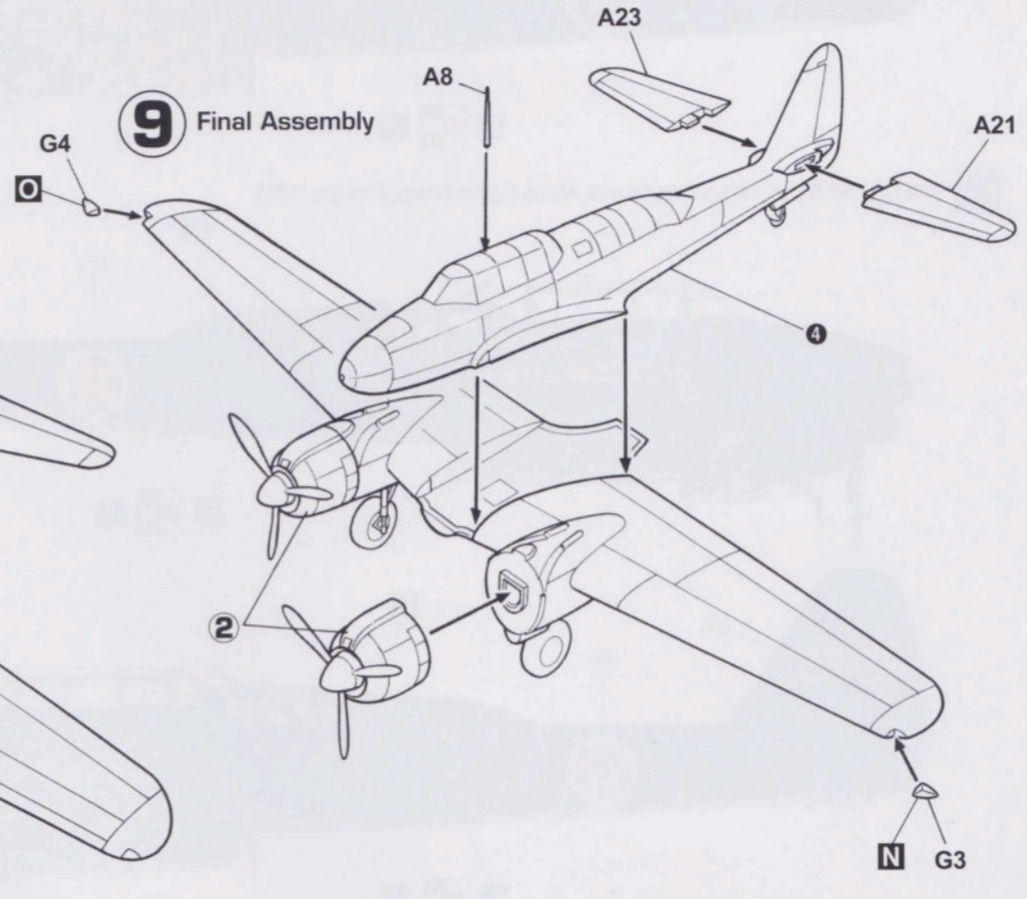
7 Main Wing Assembly



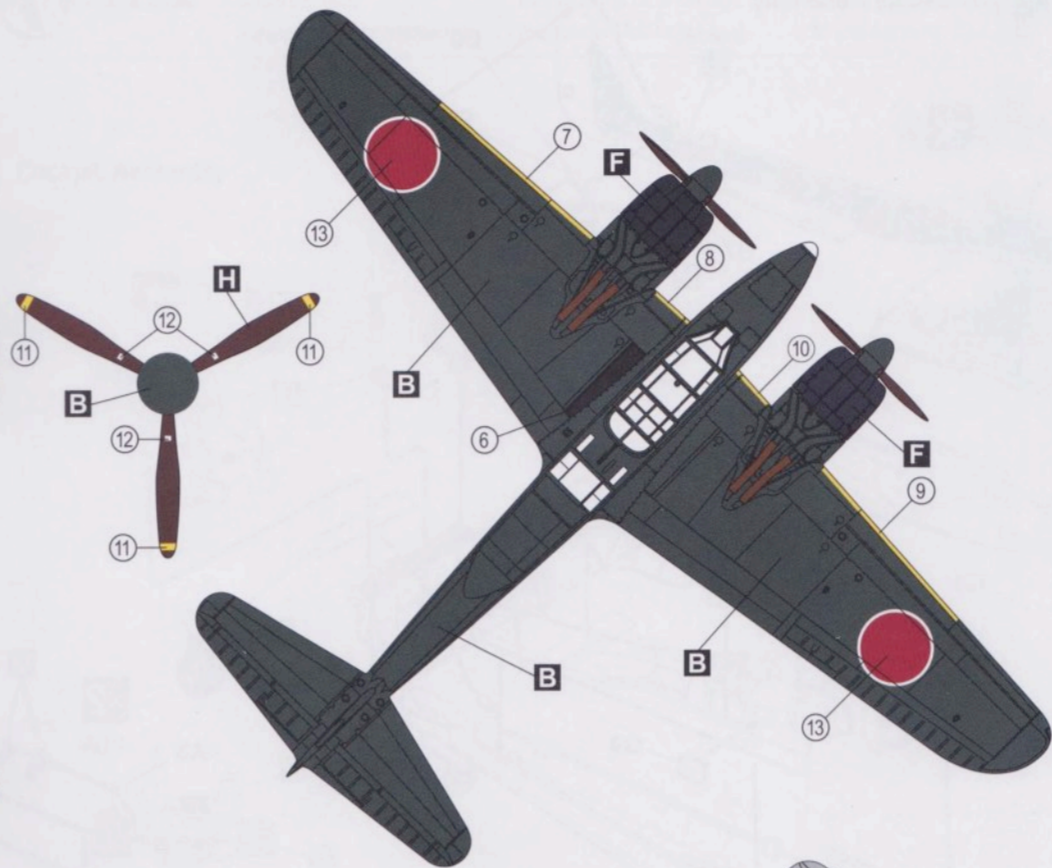
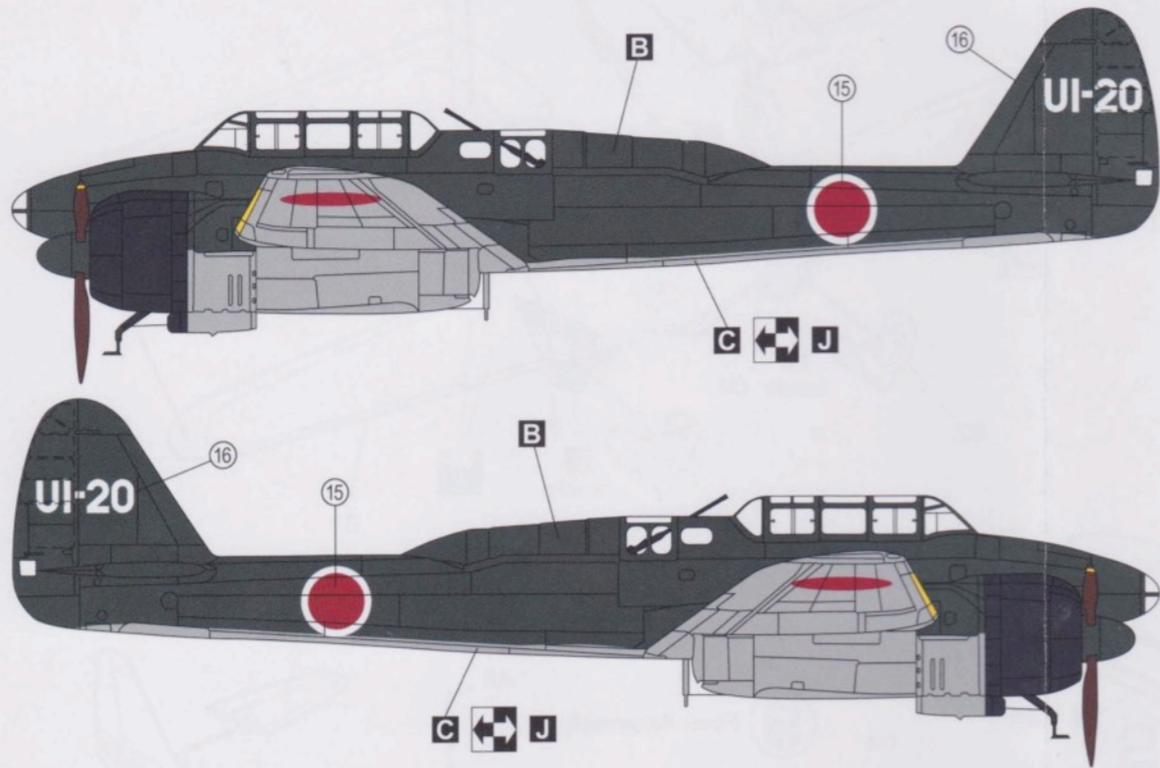
8 Various Parts Installation



9 Final Assembly



1 J1N1-S, "U1-20", 251st Naval Fighter Group, Rabaul, Summer 1943



2 J1N1-S, "R3-65", Kisarazu Detachment, Atsugi Fighter Group, Kisarazu, 1943

