

A-7D Corsair II - 1/144

Assembly Instructions


PLEASE READ BEFORE START

This model kit is cast in resin, Stefano De Rensis created the original design and master. Due to casting process and design of this resin kit, additional attention may be required with fitting some parts during assembly.

Reading the following below is advised to ensure the process is made easier for you;

* Remove the parts carefully from their supports as indicated in the "Parts Scheme" (this can be found attached to the inside of the box lid).

* The instruction sheet is useful for locating parts and to guide you through assembly. We suggest you study the instructions and attach the parts as you see fit.

* When you see this symbol  you can use optional parts. Please see the "Parts Notes" and the other notes in the color profiles for examples of these optional parts.

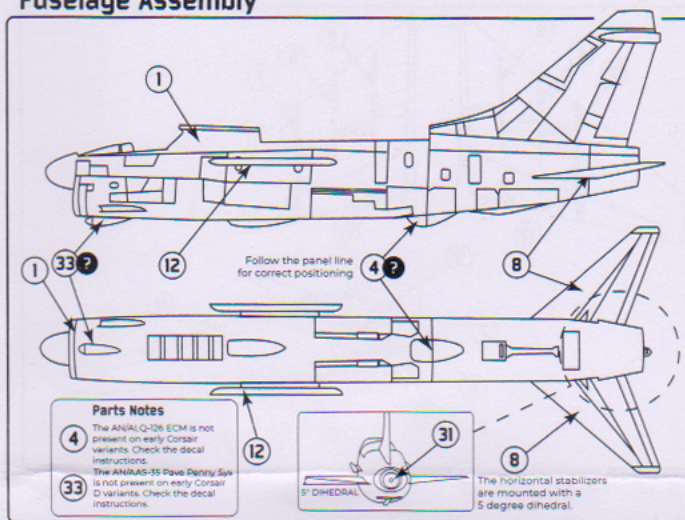
* Use CA glue only, (Cyanoacrylate Glue). Other glues, which melt injected plastic parts, like Tamiya Cement or Revell Contacta, do not work with resin. Pay attention when use CA glue on clear parts. CA glue can release vapors that could "cloud" or distort the clear sections. We recommend using vinyl glue or FUTURE solution for the clear resin sections.

* During assembly, dry fit (test) EVERY PIECE before gluing. Sometimes parts can require minor adjustment.

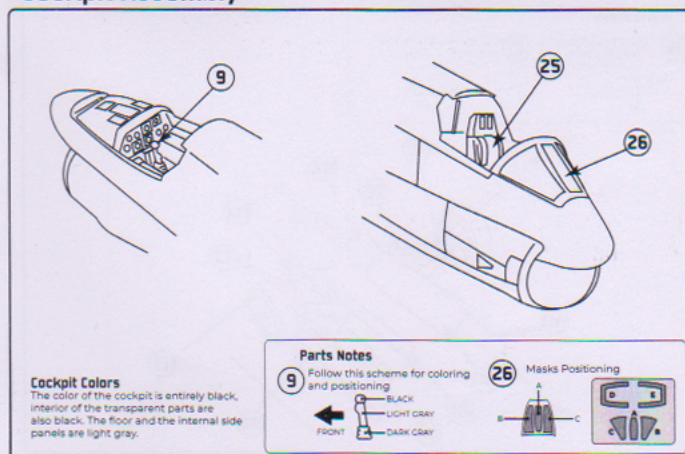


HEROES MODELS di Fabio Santonocito
Via Dalmazia 26
36045 Lonigo (VI) - Italy
info@heroesmodels.it
www.heroesmodels.it

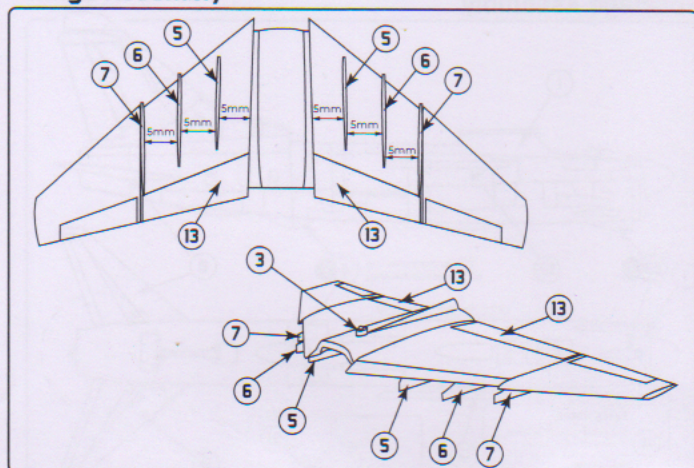
Fuselage Assembly



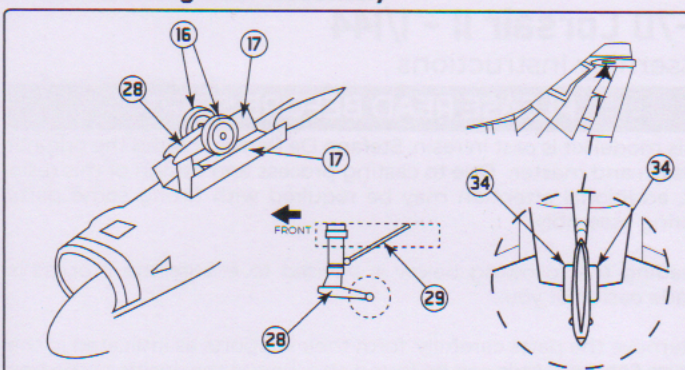
Cockpit Assembly



Wings Assembly



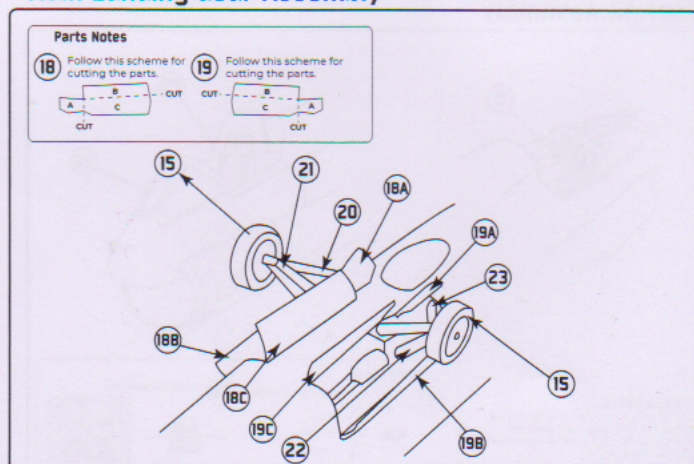
Nose Landing Gear Assembly



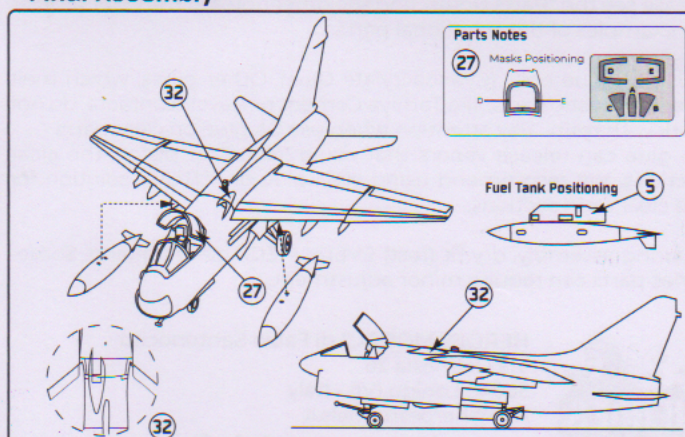
Fuel Tanks Assembly



Main Landing Gear Assembly

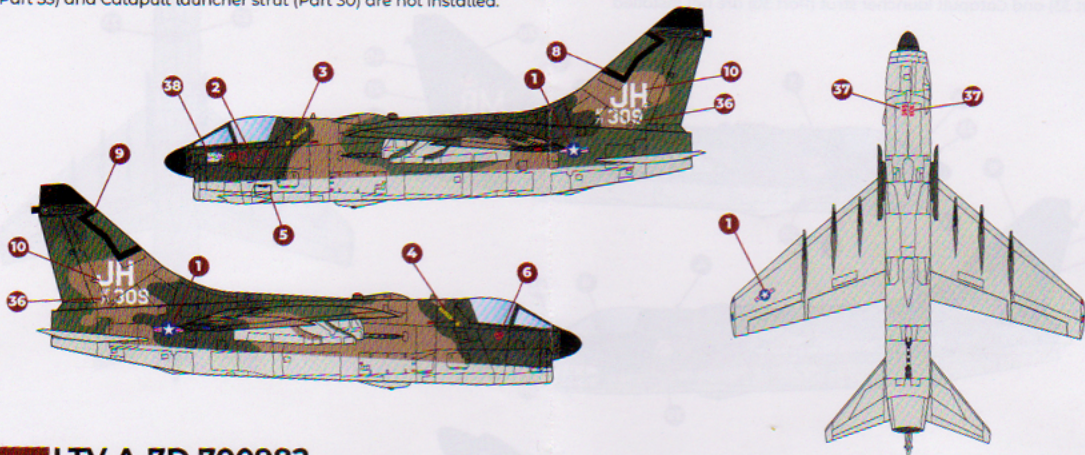


Final Assembly



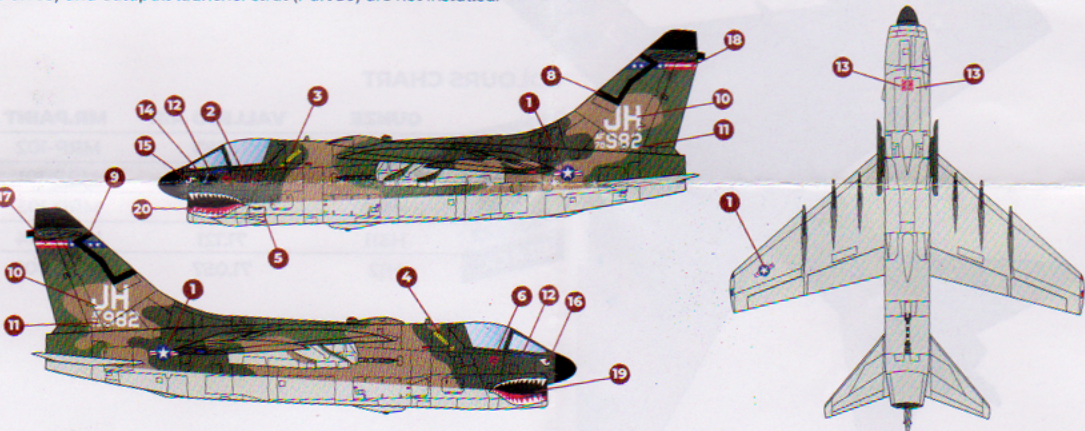
A LTV A-7D 710309

TECH NOTES: Mount ESCAPAC Seat (Part 25) and USAF wheels (Part 15). AN/ALQ-126 (Part 4) AN/AAS-35 (Part 33) and Catapult launcher strut (Part 30) are not installed.



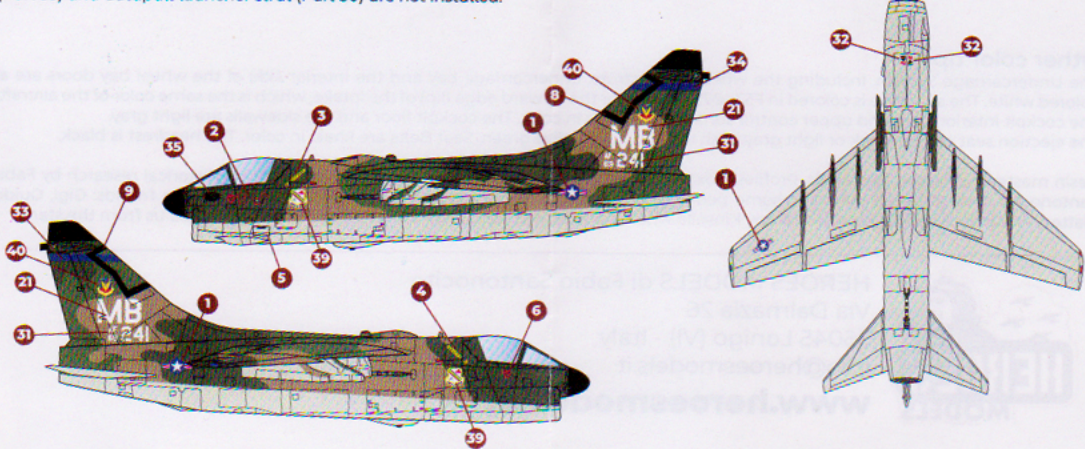
B LTV A-7D 700982

TECH NOTES: Mount ESCAPAC Seat (Part 25) and USAF wheels (Part 15). AN/ALQ-126 (Part 4) AN/AAS-35 (Part 33) and Catapult launcher strut (Part 30) are not installed.



C LTV A-7D 699241

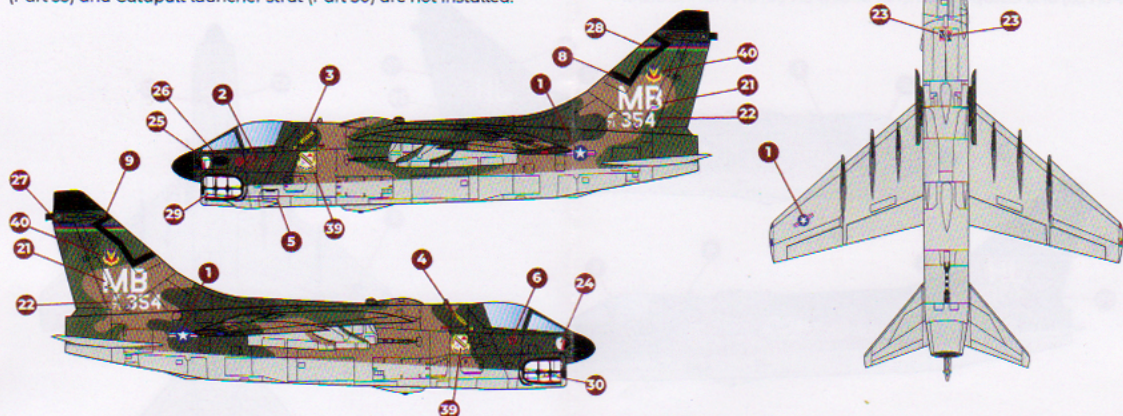
TECH NOTES: Mount ESCAPAC Seat (Part 25) and USAF wheels (Part 15). AN/ALQ-126 (Part 4) AN/AAS-35 (Part 33) and Catapult launcher strut (Part 30) are not installed.



LTV A-7D 710354

354th Tactical Fighter Wing, Korat, 1972

TECH NOTES: Mount ESCAPAC Seat (Part 25) and USAF wheels (Part 15). AN/ALQ-126 (Part 4) AN/AAS-35 (Part 33) and Catapult launcher strut (Part 30) are not installed.



COLOURS CHART

	GUNZE	VALLEJO AIR	MR.PAINT
FS34102	H303	71.289	MRP-102
FS34079	H309	71.294	MRP-101
FS30219	H310	71.125	MRP-103
FS36622	H311	71.121	MRP-104
BLACK	H12	71.057	MRP-005

Other color tips

The Undercarriage System, including the wheel hubs, struts, undercarriage bay and the interior side of the wheel bay doors are all colored white. The air intake is colored in FS34079 (Except for the forward edge (lip) of the intake, which is the same color of the aircraft). The cockpit interior walls and upper control surfaces are black in color. The cockpit floor and the sidewalls are light gray. The ejection seat can be black or light gray, with the cushion in olive green. Seat Belts are khaki in color. The headrest is black.

Resin master by Stefano De Rensis. Profiles, boxart, graphics and decals designed by Fabio Santonocito. Historical research by Fabio Santonocito. A very special thanks to some people that sustain us in our work. A group of modellers and true friends: Gigi, Guido, Matteo, Riccardo. A special mention to Roy Kinsella who helped us with language translation and has supported us from the start.



HEROES MODELS di Fabio Santonocito

Via Dalmazia 26

36045 Lonigo (VI) - Italy

info@heroesmodels.it

www.heroesmodels.it