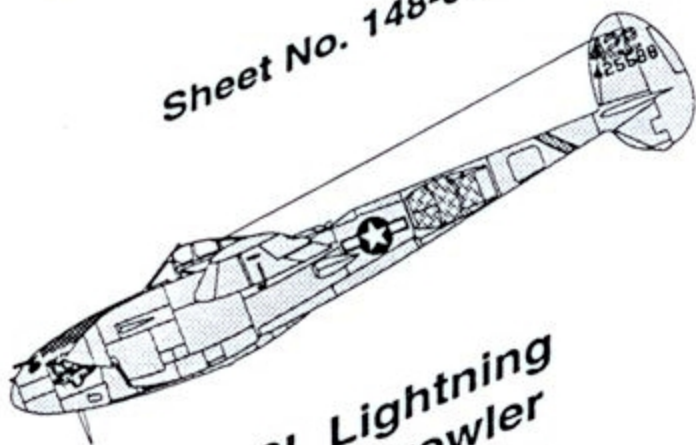


# AeroMaster Singles

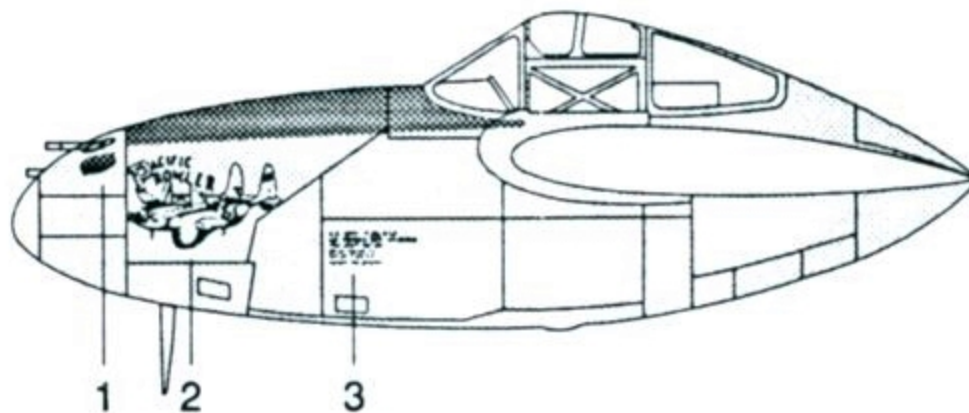
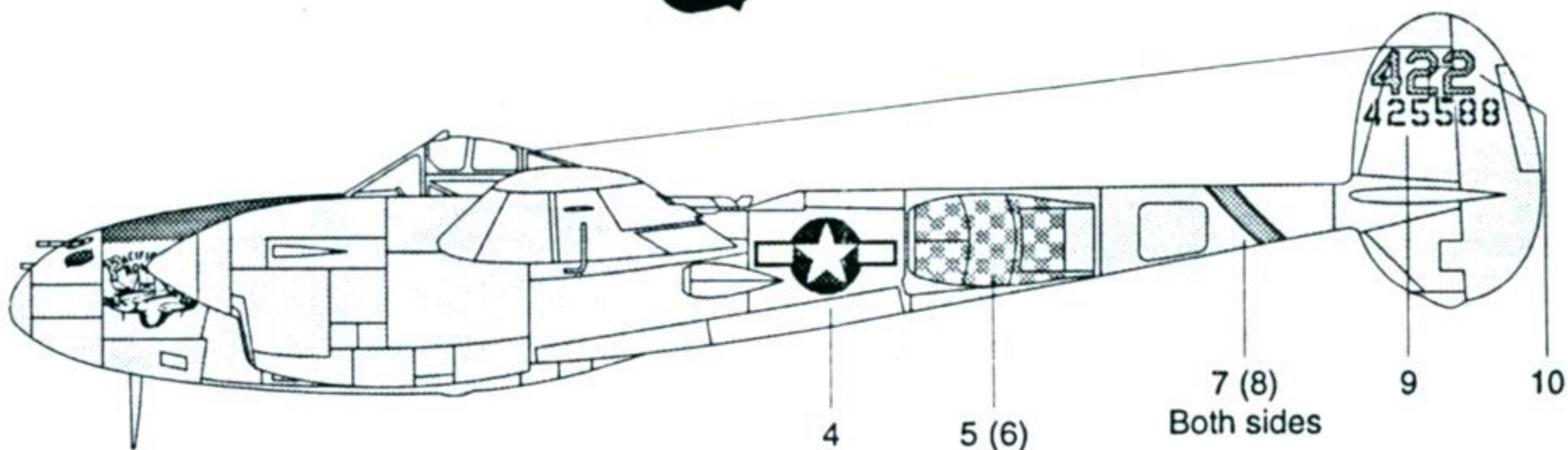
Sheet No. 148-004



P-38L Lightning  
Pacific Prowler

**AeroMaster Decals**

3615 NW 20th Ave • Miami, Florida 33142 • USA  
Tel. (305) 635-3134 • Fax (305) 635-2106



P-38L-5-LO, 44-25588, "Pacific Prowler", 44th Fighter Squadron, 18th Fighter Group, Moret Field, Zamboanga, Mindanao, Philippines, 1945. Flown by 2Lt. Clint Ward. Overall natural metal finish with standard olive drab anti-glare panels. Note left hand .50 cal. machine gun removed and opening covered over and painted red (decal no. 1). Open spoked wheels had natural metal hubs.

## To Our Customers

Once again we return to the elegant P-38 Lightning for our subject matter. This aircraft, flown by 2nd Lieutenant Clint Ward of the famous "Vampire Squadron" of the 18th Fighter Group in the Philippines during 1945, represents one of the many colorful yet relatively undocumented P-38s active in the Pacific toward the end of WWII.

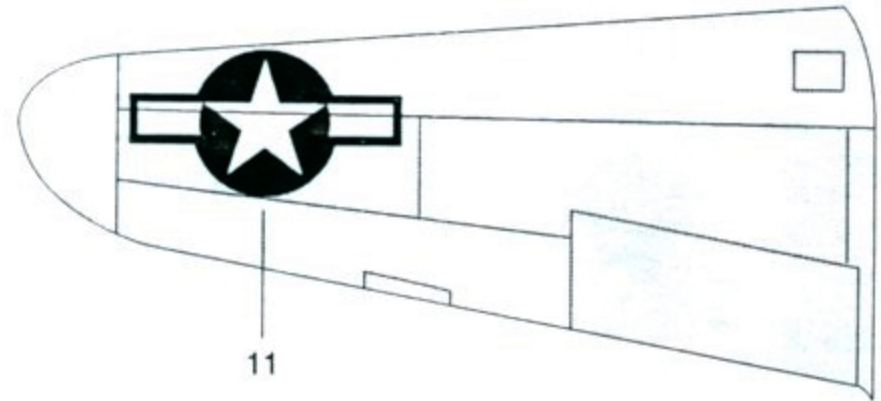
The new Hasegawa 1/48 scale masterpiece kits (at a very reasonable price thanks to Marco Polo Import) are the perfect canvas for these colorful markings. As always . . .

Happy Modeling!

### Instructions for Applying Decals

1. Cut out each subject carefully. DO NOT trim the excess clear film from around the image, as this allows the decal film to disappear when dry.
2. Dip the decal into clean water for 10 seconds.
3. Allow water to soften decal adhesive for approximately one minute or until decal slides easily on backing paper. Do not force decal to slide before adhesive is completely dissolved, or decal film may tear.
4. Apply decal to model surface by holding decal in place and gently sliding backing paper away.
5. Gently blot excess water and adhesive with a soft cloth and allow to dry completely, usually overnight.

AeroMaster recommends the use of the Microscale Decal Finishing system for optimum results. See your favorite hobby shop for the complete Microscale line.



### Suggested Kit:

Hasegawa P-38L

**AeroMaster Decals.**

3615 NW 20th Ave • Miami, Florida 33142 • USA