

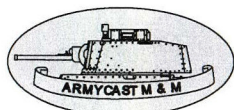
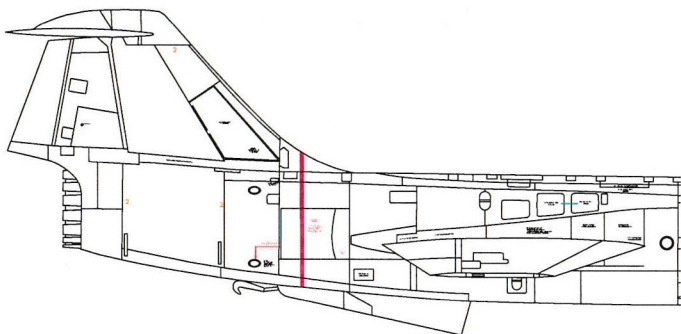
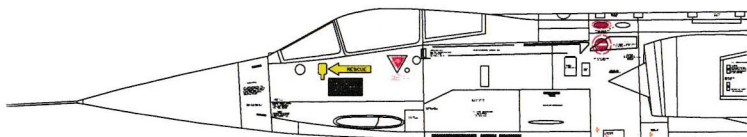
F/TF-104G

ACD 72 013

Starfighter stencils

Complete stencils and national warning and rescue symbols
(Belgium, Germany, Greece, Denmark, The Netherlands, Turkey, USA)

1/72 decal sheet



© Armycast M&M, 2015

www.armycast.cz

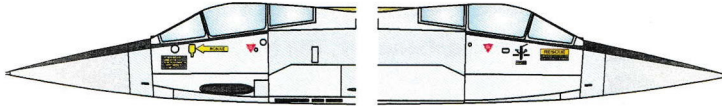
Designed by



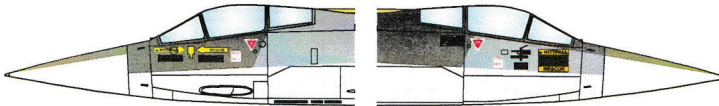
Guide to warning and rescue symbols

Application of warning and rescue symbols is variable according to air force and/or camouflage pattern. Always check your reference when building your model. Following pictures are examples only.

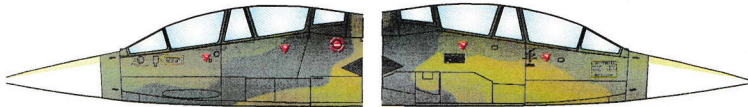
Example 1 - Factory applied symbols
(typical for early Starfighters of European air forces)



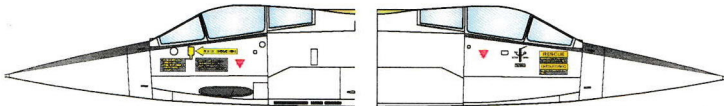
Example 2 - F-104G of German Air Force in Norm 62 camouflage



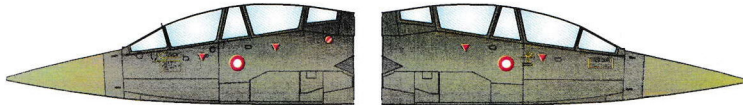
Example 3 - TF-104G of German Air Force in Norm 83 camouflage



Example 4 - early F-104G of Royal Danish Air Force



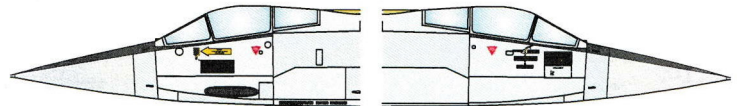
Example 5 - late CF-104D of Royal Danish Air Force



Guide to warning and rescue symbols

Application of warning and rescue symbols is variable according to air force and/or camouflage pattern. Always check your reference when building your model. Following pictures are examples only.

Example 6 - F-104G of Belgian Air Force



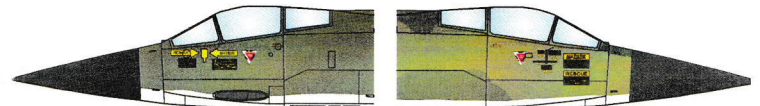
Example 7 - F-104G of Royal Netherlands Air Force



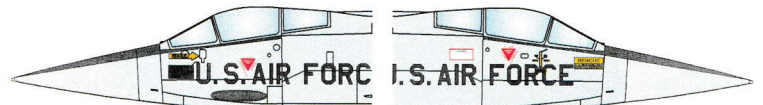
Example 8 - CF-104G of Turkish Air Force

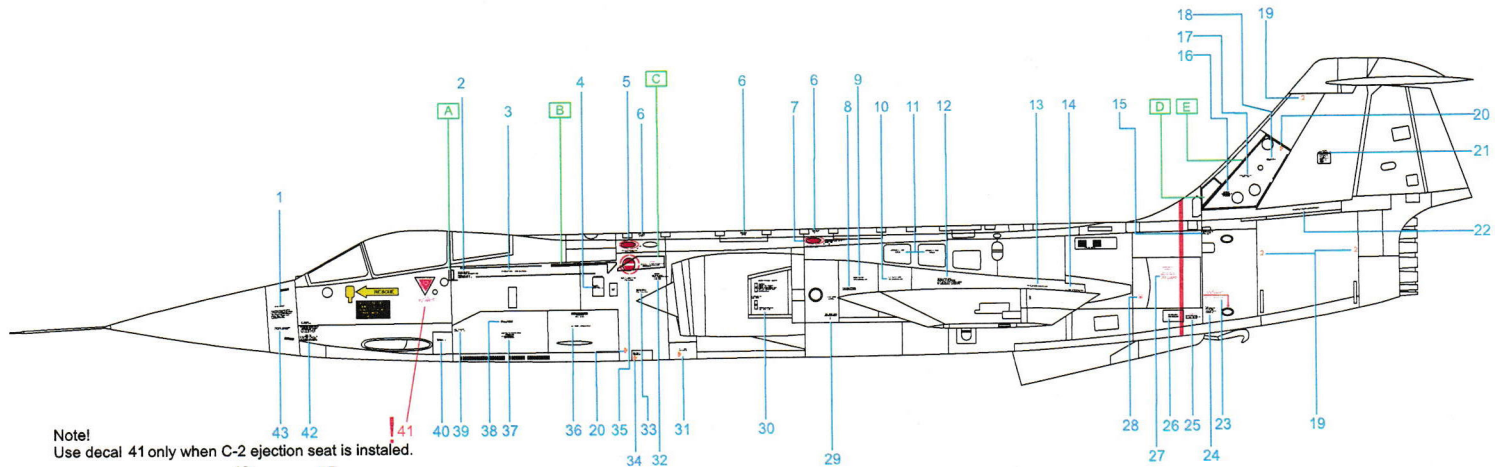


Example 9 - late F-104G of Greek Air Force

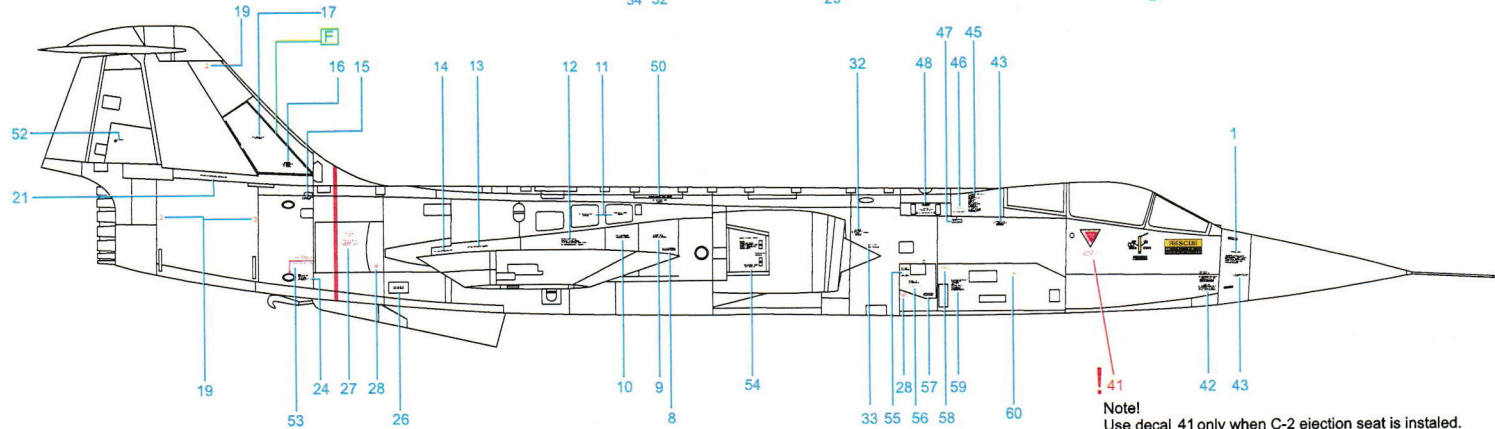


Example 10 - F-104G of United States Air Force





Note!
Use decal 41 only when C-2 ejection seat is installed.



Note!
Use decal 41 only when C-2 ejection seat is installed.

Left

Right

