



LIMITED EDITION

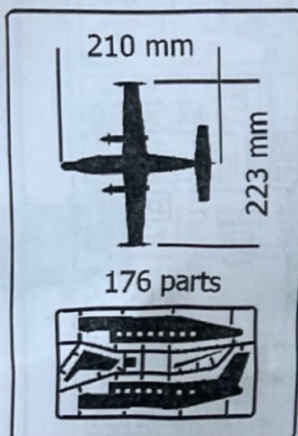
SOVA-M
SVM-72051

Embraer
P-95B
(EMB-111)

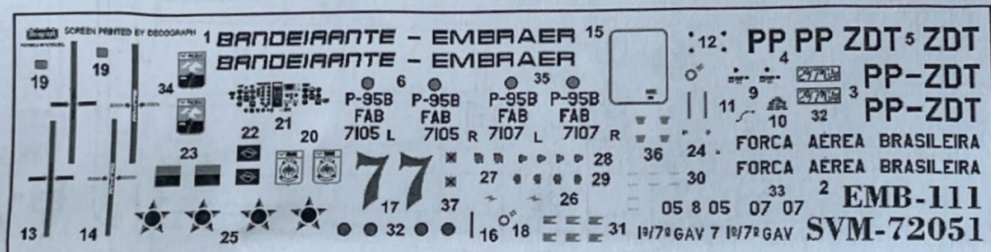


UNASSEMBLED PLASTIC MODEL KITS

SCALE:1/72



DECALS



Three versions of colouring

The Embraer EMB 110 Bandeirante is a Brazilian twin-turboprop light transport aircraft designed by Embraer for military and civil use. The EMB 110 was designed by the French engineer Max Holste; it had been designed in line with specifications issued by the Brazilian Ministry of Aeronautics in 1965. Various customers in both the military and civilian sectors opted to procure the EMB 110 during its 22-year production run. As a result, production of the EMB 110 was terminated during 1990.

PAINTS

- | | |
|----------------------------------|----------------------------------|
| A HUMBROL 129 GULL GREY | B HUMBROL 147 LIGHT GREY |
| C HUMBROL 24 YELLOW | D HUMBROL 33 BLACK |
| E HUMBROL 27004 GUN METAL | F HUMBROL 145 MEDIUM GREY |

The model is executed on technology short run and is intended only for experienced modelers.


Word-wide distributor for Sova-M kits:
ModelSvit Balkans Ltd. 4003 Plovdiv,
Bulgaria 9, zK Maritza Gardens.
Tel. +359 32 397 069,
E-Mail: modelsvitbalkans@gmail.com
MADE IN UKRAINE

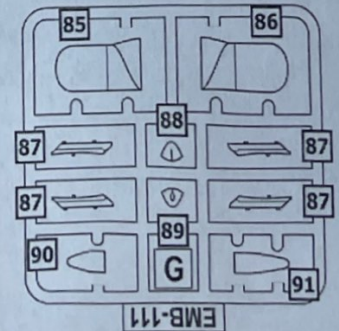
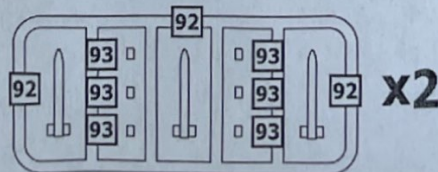
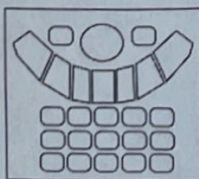
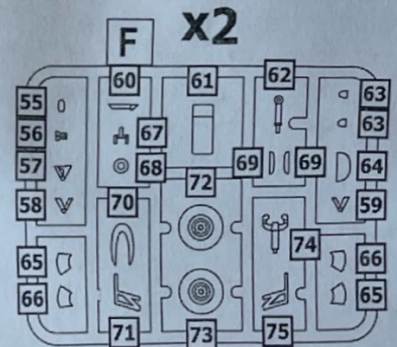
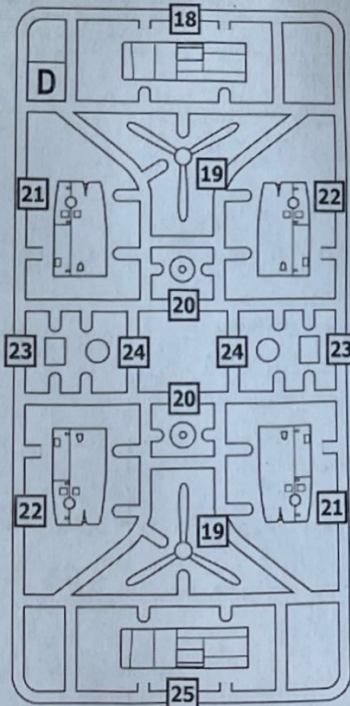
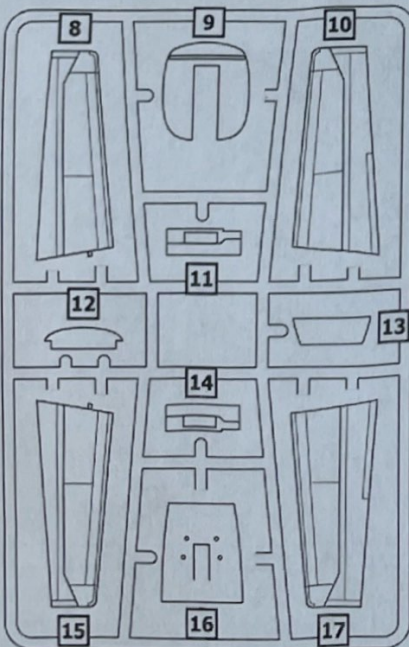
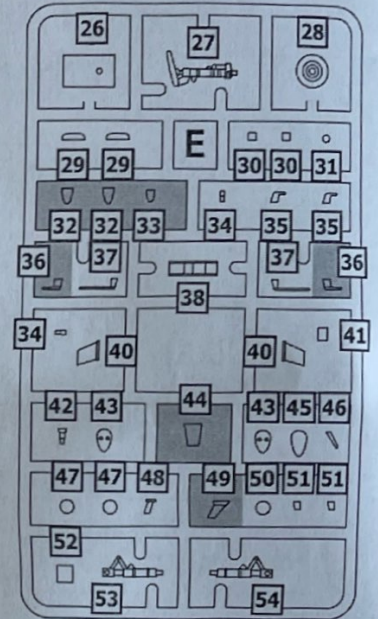
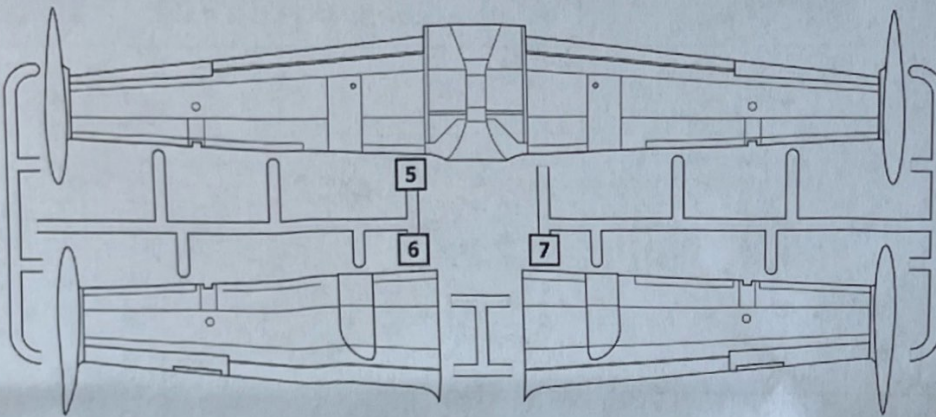
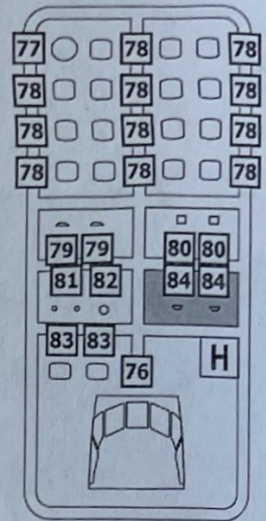
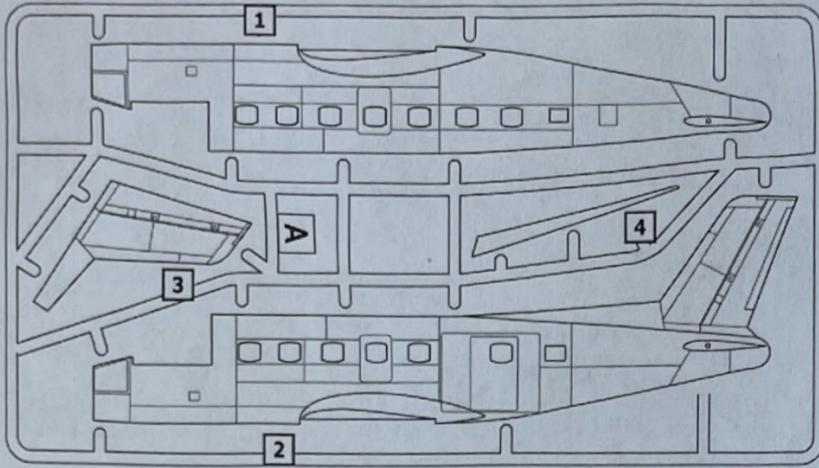
SYMBOLS

- | | | |
|----------------------------------|-------------------|---------------|
| 1 STAGES OF ASSEMBLY | TO PAINT | TO BEND |
| 1 NUMBER PARTS | GLUE | SCRATCH BUILT |
| APPLY DECALS | DON'T GLUE | OPEN HOLE |
| x2 QUANTITY OF OPERATIONS | НА ВИБІР OPTIONAL | CAT OUT |

SET OF THE PARTS



 PARTS NOT FOR USE



EMB-111

ASSEMBLY INSTRUCTION



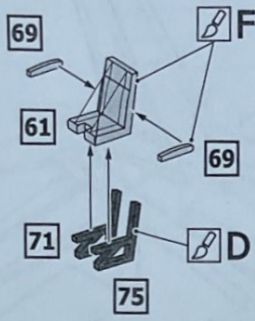
1 x2

61 x2

69 x4

71 x2

75 x2



2

1 x2

9

11

14

16

31

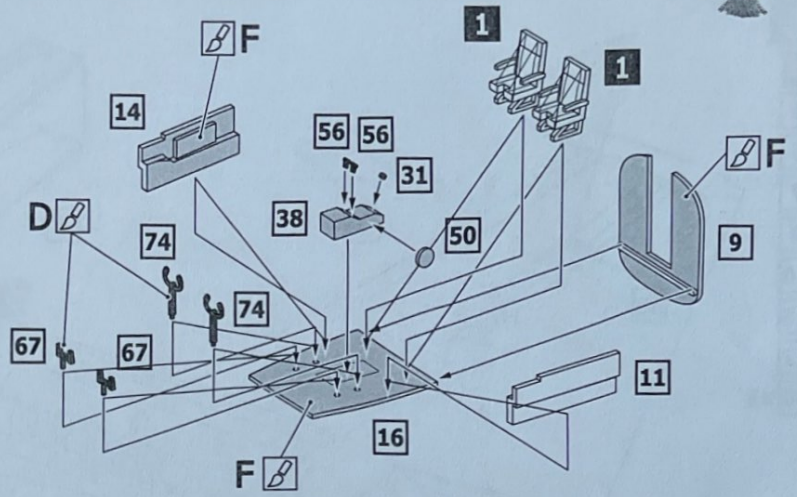
38

50

56 x2

67 x2

74 x2



3

2

1

2

3

12

13

26

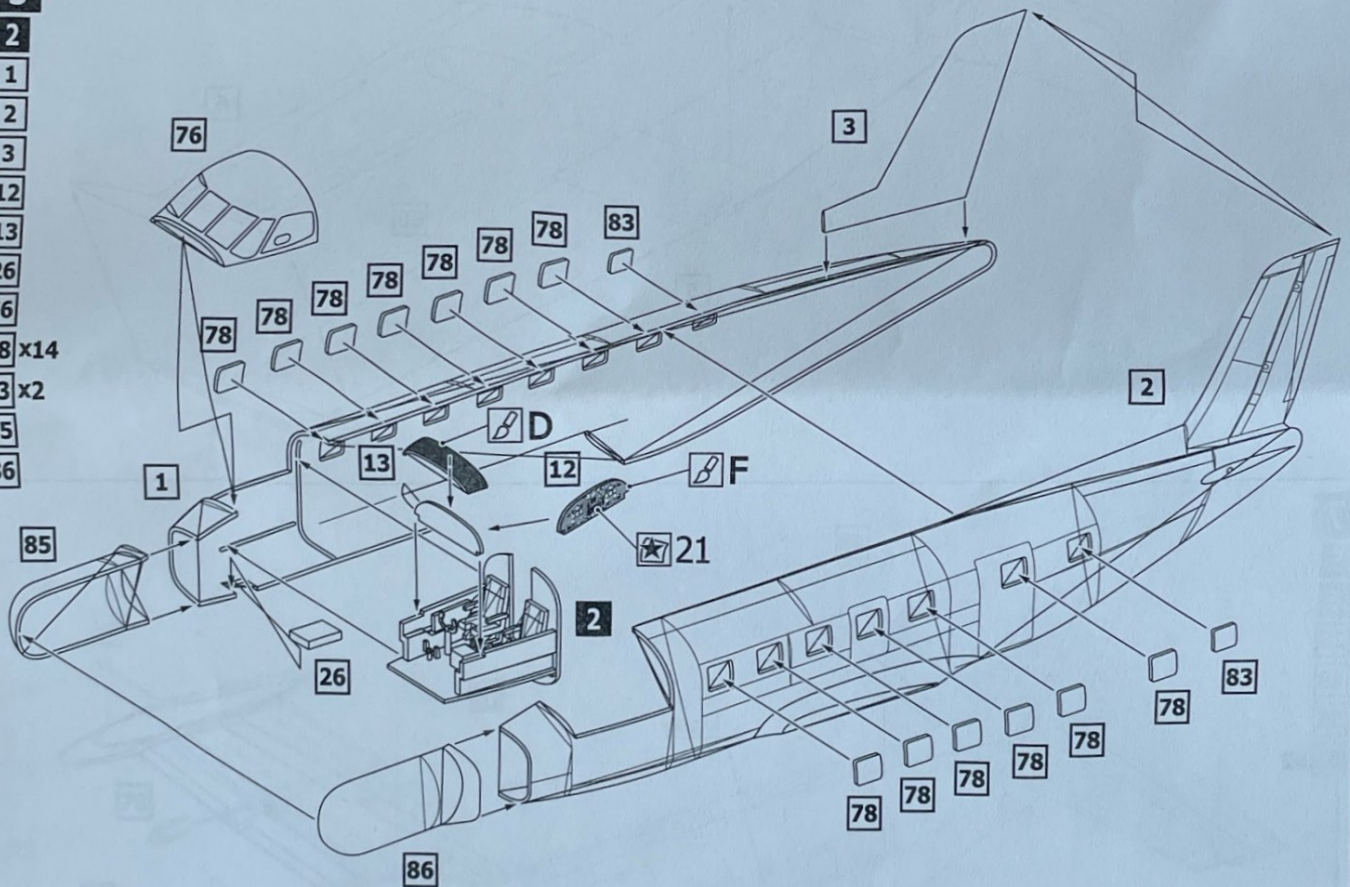
76

78 x14

83 x2

85

86

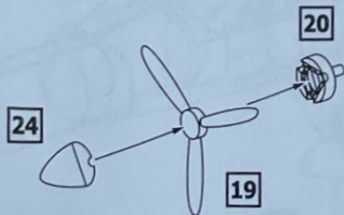


4 x2

19 x2

20 x2

24 x2



5 x2

4 x2

21 x2

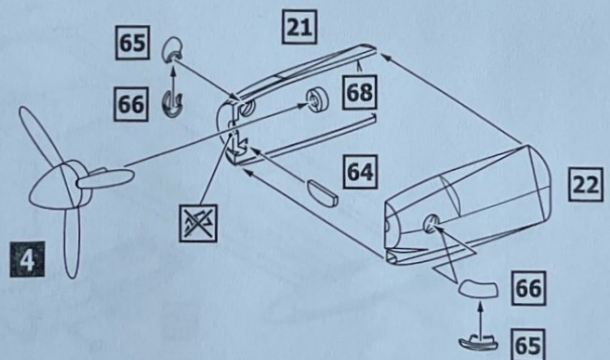
22 x2

64 x2

65 x2

66 x2

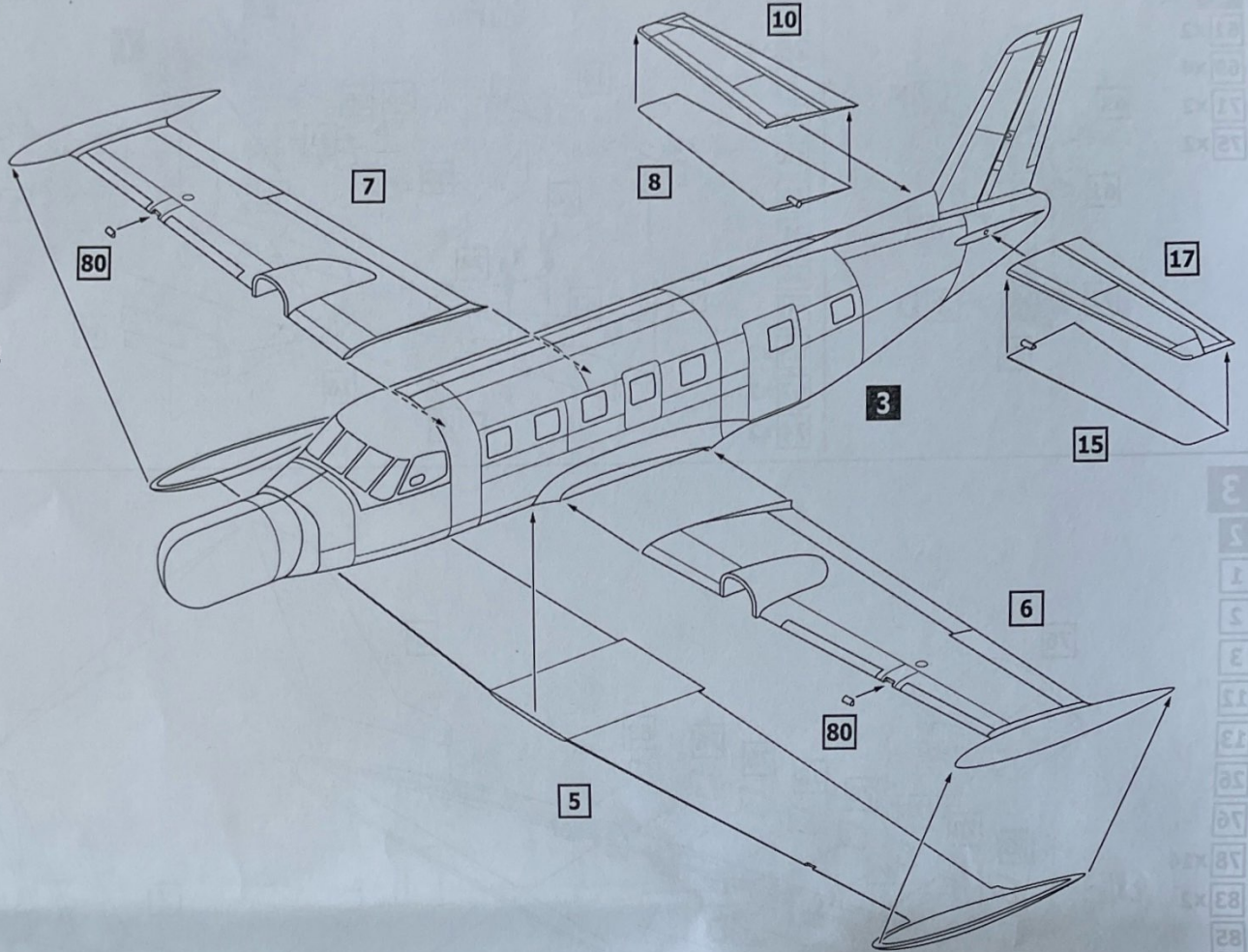
68 x2



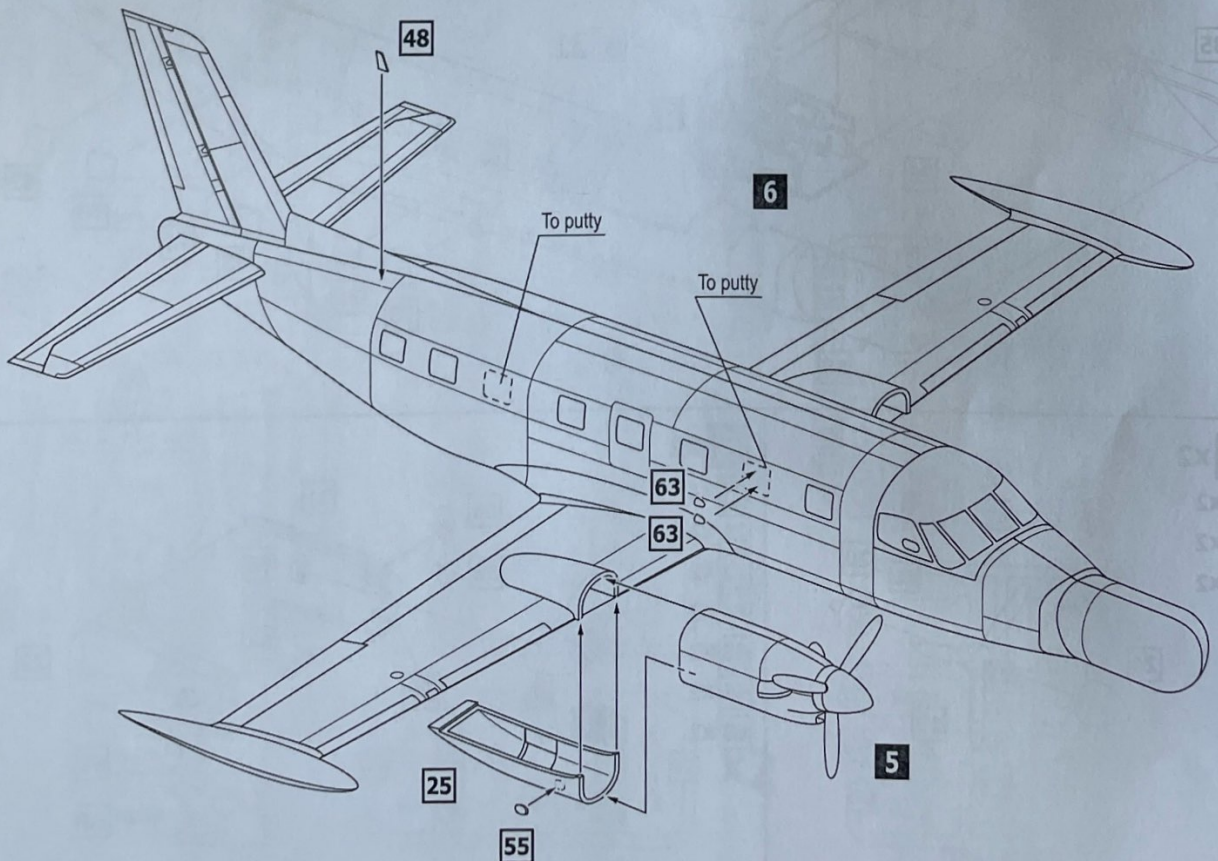
ASSEMBLY INSTRUCTION



- 6**
- 3**
- 5**
- 6**
- 7**
- 8**
- 10**
- 15**
- 17**
- 80** x2



- 7**
- 5**
- 6**
- 25**
- 48**
- 55**
- 63** x2



ASSEMBLY INSTRUCTION



8

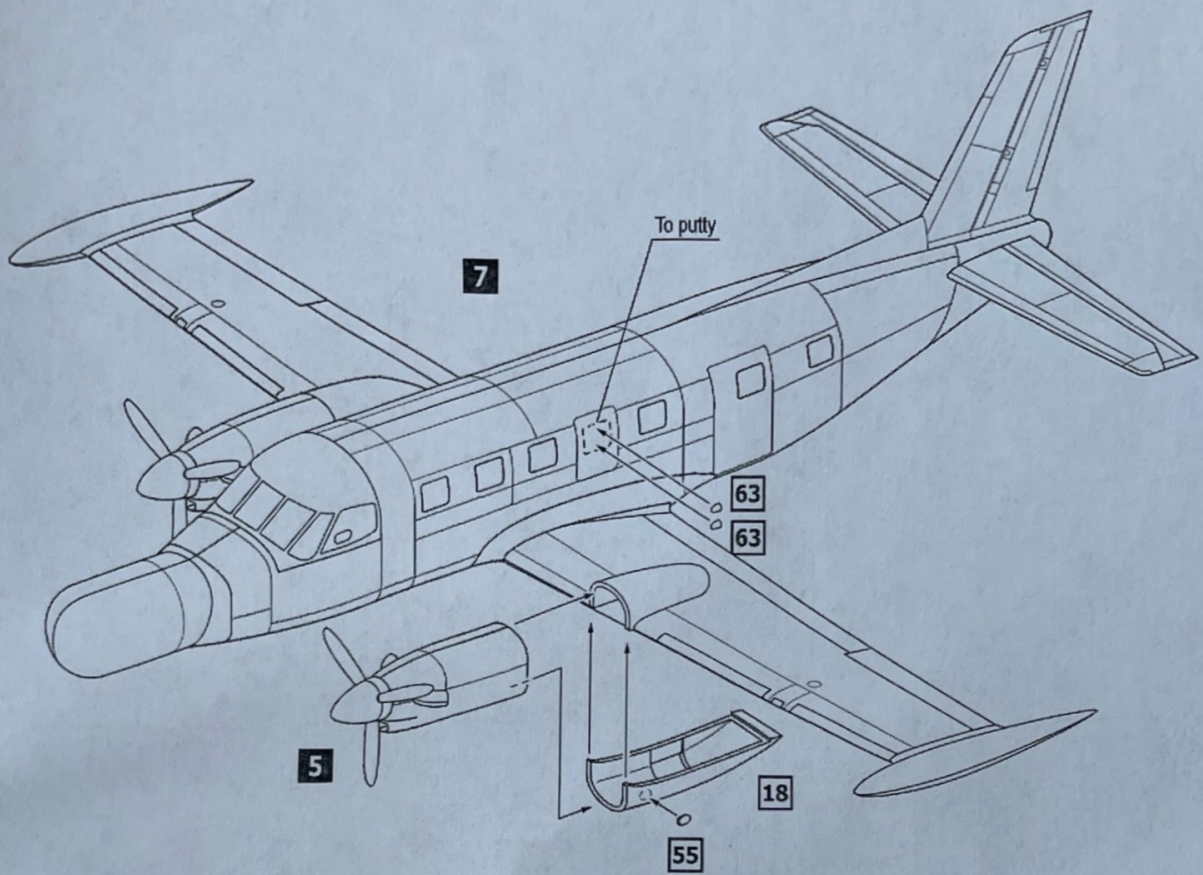
5

7

18

55

63 x2



9

8

30 x2

35 x2

37 x2

40

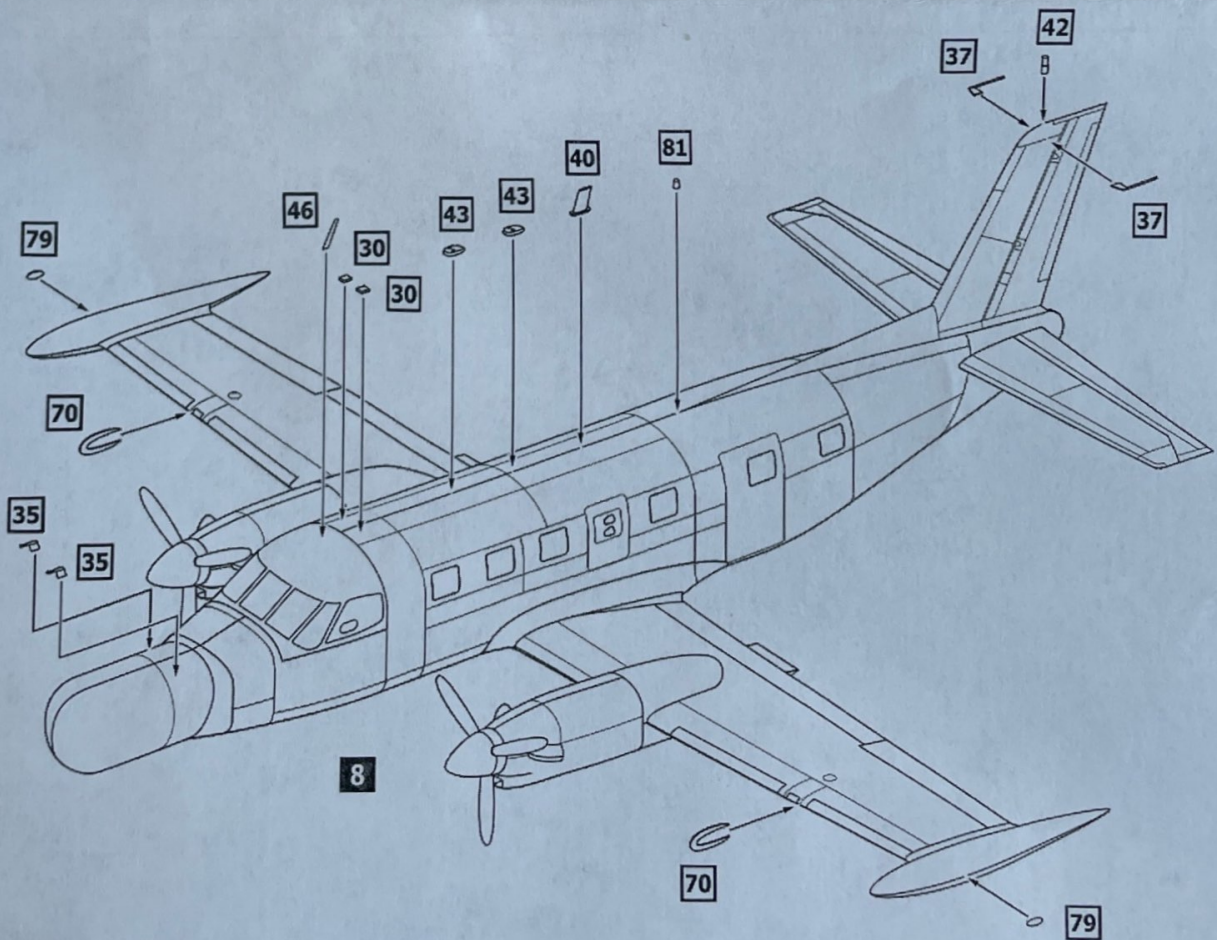
43 x2

46

70 x2

81

79 x2



5

ASSEMBLY INSTRUCTION



10

9

4

29 x2

40

41

45

47 x2

51 x2

57 x2

58 x2

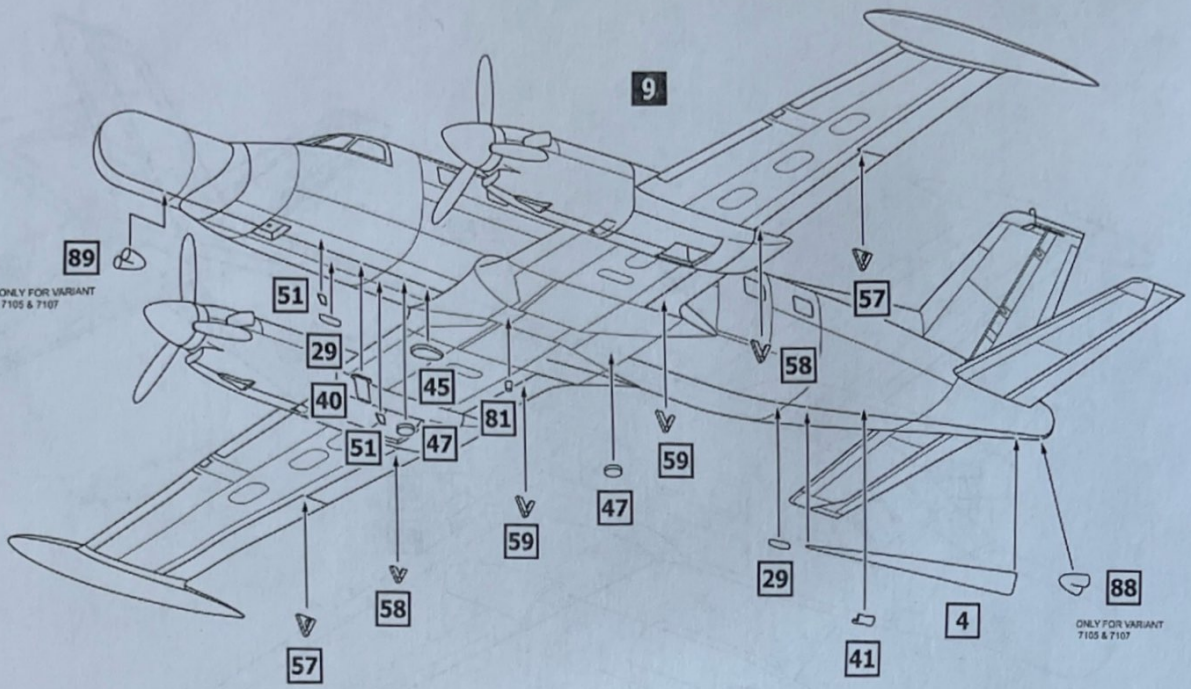
59 x2

81

88

89

ONLY FOR VARIANT
7105 & 7107

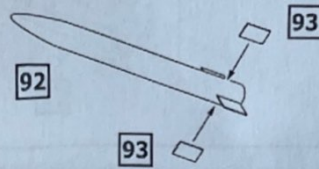


ONLY FOR VARIANT
7105 & 7107

11 x6

92 x6

93 x12



12

10

11 x6

23 x2

27

28

34 x2

52

53

54

60 x2

62 x2

72 x2

73 x2

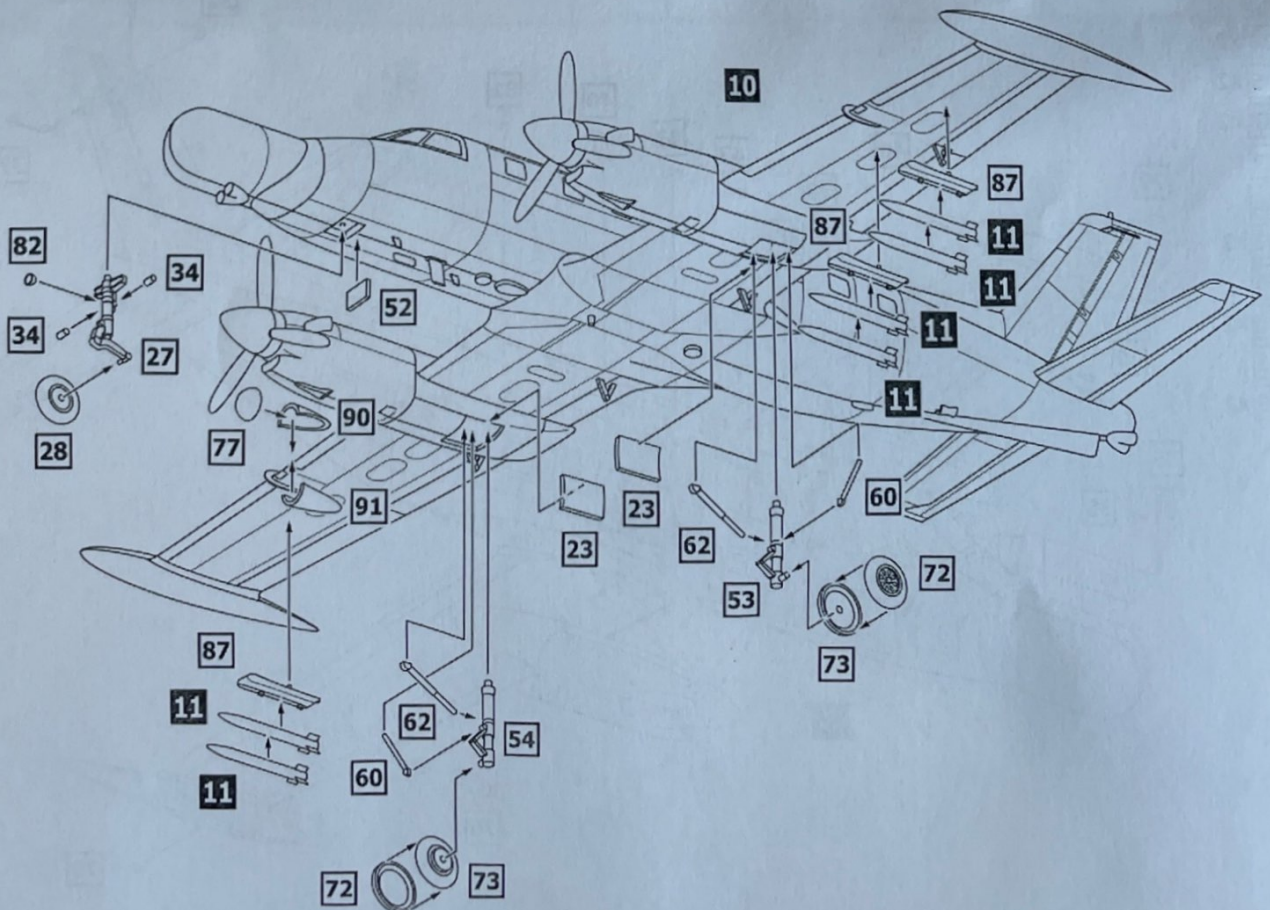
82

87 x3

77

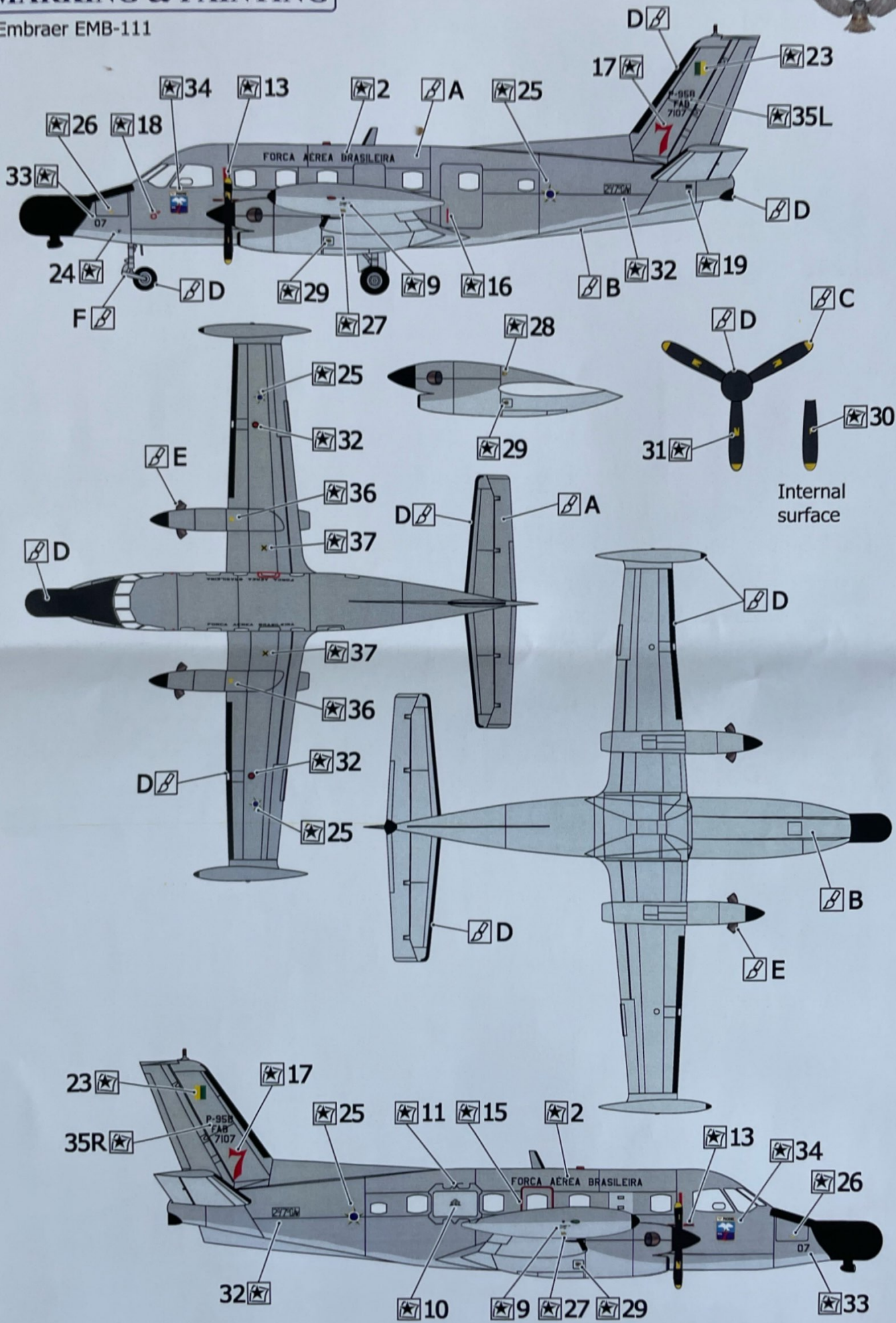
90

91



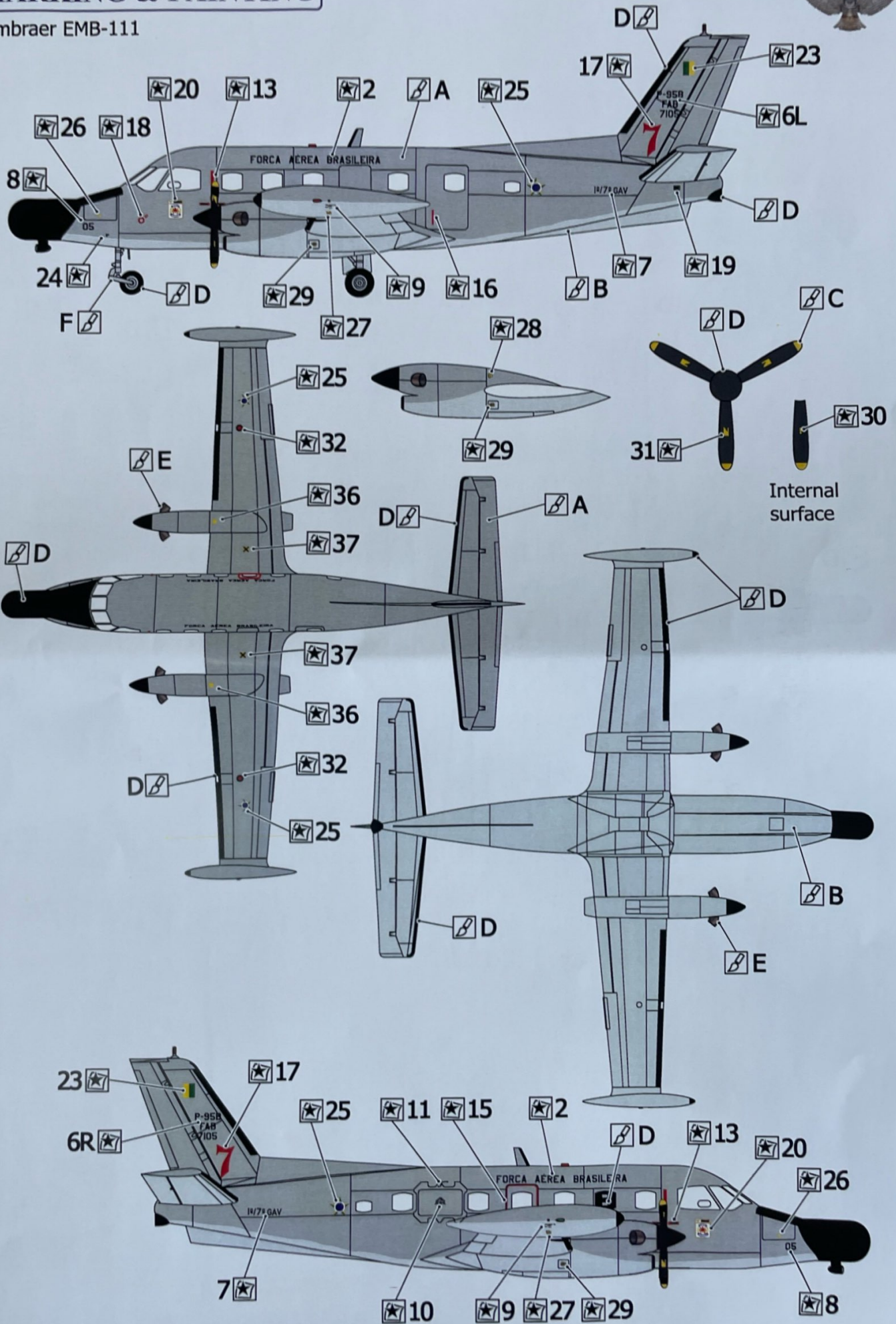
MARKING & PAINTING

Embraer EMB-111



MARKING & PAINTING

Embraer EMB-111



MARKING & PAINTING

Embraer EMB-111

