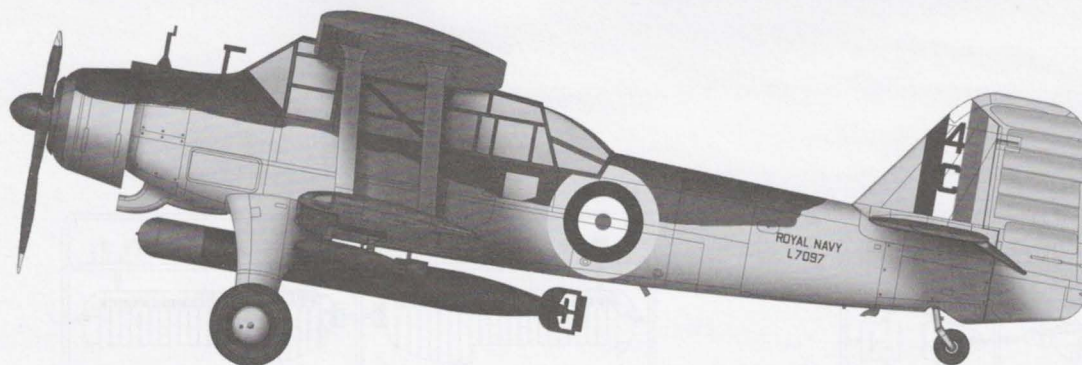


1/48 SCALE

ITEM NO.:02880



Fairey Albacore Torpedo Bomber

英国“青花鱼”式鱼雷轰炸机

READ BEFORE ASSEMBLY:

- This kit is not recommended for inexperienced modelers or for children under 14 years of age
- Study and understand these instructions thoroughly before beginning assembly
- When needed, remove photo-etch parts carefully using a modeling knife or photo etch sprue cutter, being careful not to damage or lose small parts.
- Take extra care in handling photo etch parts in order to avoid injury
- Apply instant cement sparingly to photo etch parts where instructed

- Tools recommended(not included in kit):Plastic and instant cements,sprue cutters,long nose pliers,modeling knife, small files, tweezers, pin vise & scissors. Soft cloth and sandpaper will also assist in construction
- Glue and paint are not included in the kit. Use plastic cement and hobby paints only. Color guide for purchasing paint is included in the kit.
- Keep out of reach of children. They must not be allowed to ingest small parts or handle plastic bags in any way.

装配之前仔细阅读

- 小心用模型锉刀锉平所有零件表面的注射浇口。
- 小心用刀片切下蚀刻片零件，不要遗失小零件。
- 用强力快干胶水粘合蚀刻片零件和金属轴。过量的快干胶水使用可能导致可动零件会粘住，小心涂胶。
- 取蚀刻片时应特别注意安全，防止利边划伤手指。
- 某些零件表面需贴水上贴纸，请选择在装配的同时进行。
- 推荐模型工具(自备)：胶水，水口剪刀，长咀钳，刀片，锉刀，镊子钳，钻，剪刀，瞬间快干胶。
- 软布同砂纸同时也应该是必备工具。
- 请使用塑料胶水和油漆，模型内不含。
- 谨防小孩吸吮塑料零件，或者将塑料袋套在头上，制作时应将套材远离小孩接触。
- 本产品不适合14岁以下没有经验的模型爱好者。

水贴纸的使用:

1. 从水贴纸上剪下印花;
2. 将印花放入温水中浸10秒，然后放在干净布上。
3. 拿着印花纸板将印花移到模型上;
4. 手指蘸水将印花移到适当的位置;
5. 用软布轻压印花直至水干，汽泡消失。

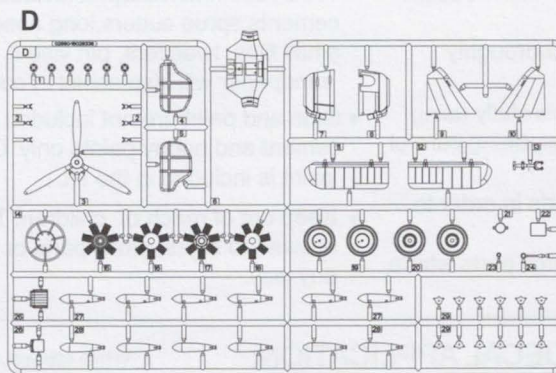
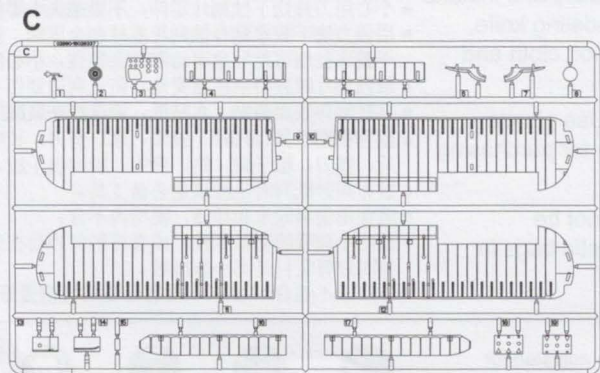
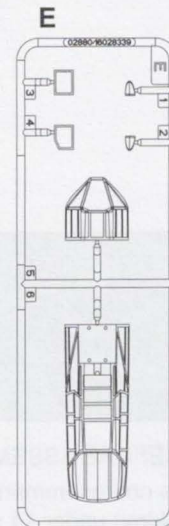
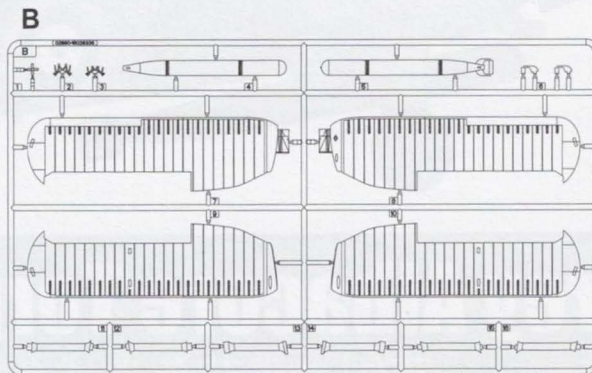
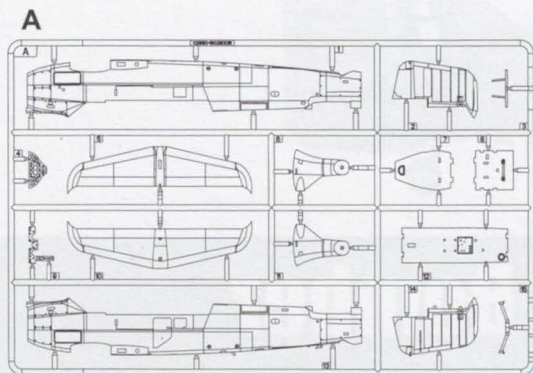
DECAL APPLICATION:

1. Cut decals from sheet as needed
2. Dip the decal in warm water for about 10 seconds and then place on soft clean cloth.
3. Hold the decal backing sheet edge and gently slide the decal onto the model in its proper position.

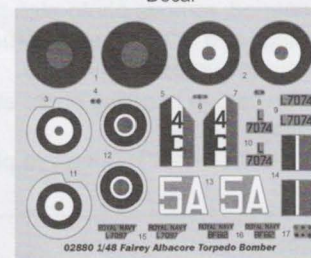
4. While still wet, decal can be adjusted for better fit on model by dampening it gently with your finger.
5. When placed in the proper position, gently press decal down with a soft cloth until excess water and air bubbles are gone.
6. Allow decal to dry completely before handling model



部品图
Parts

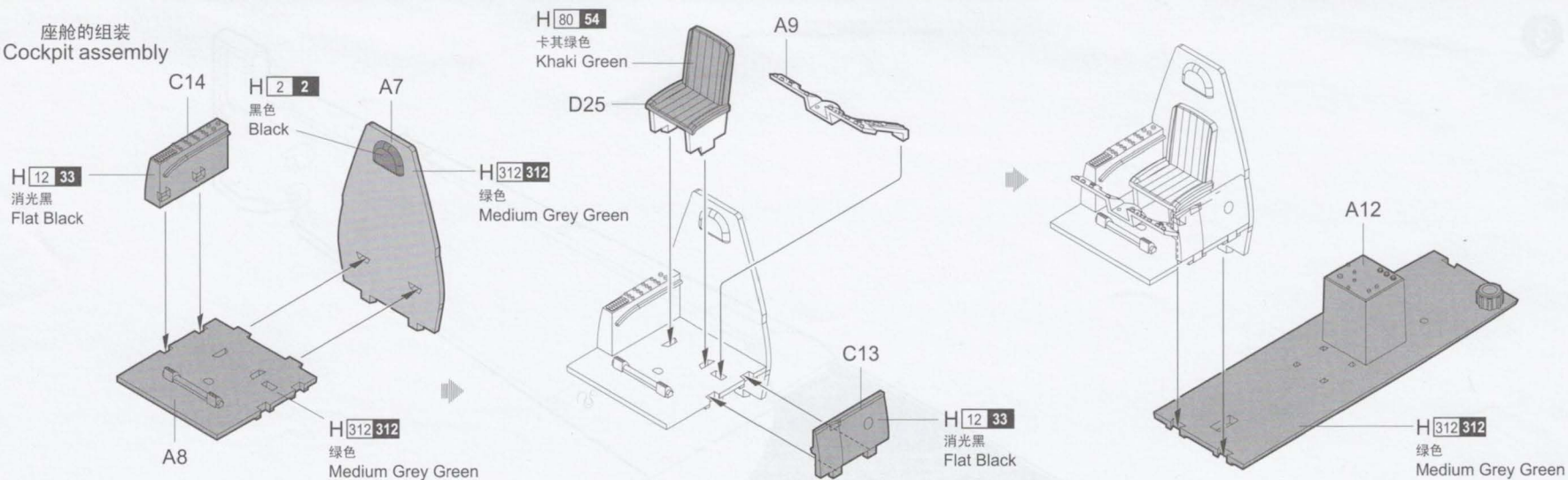


《水貼》
Decal



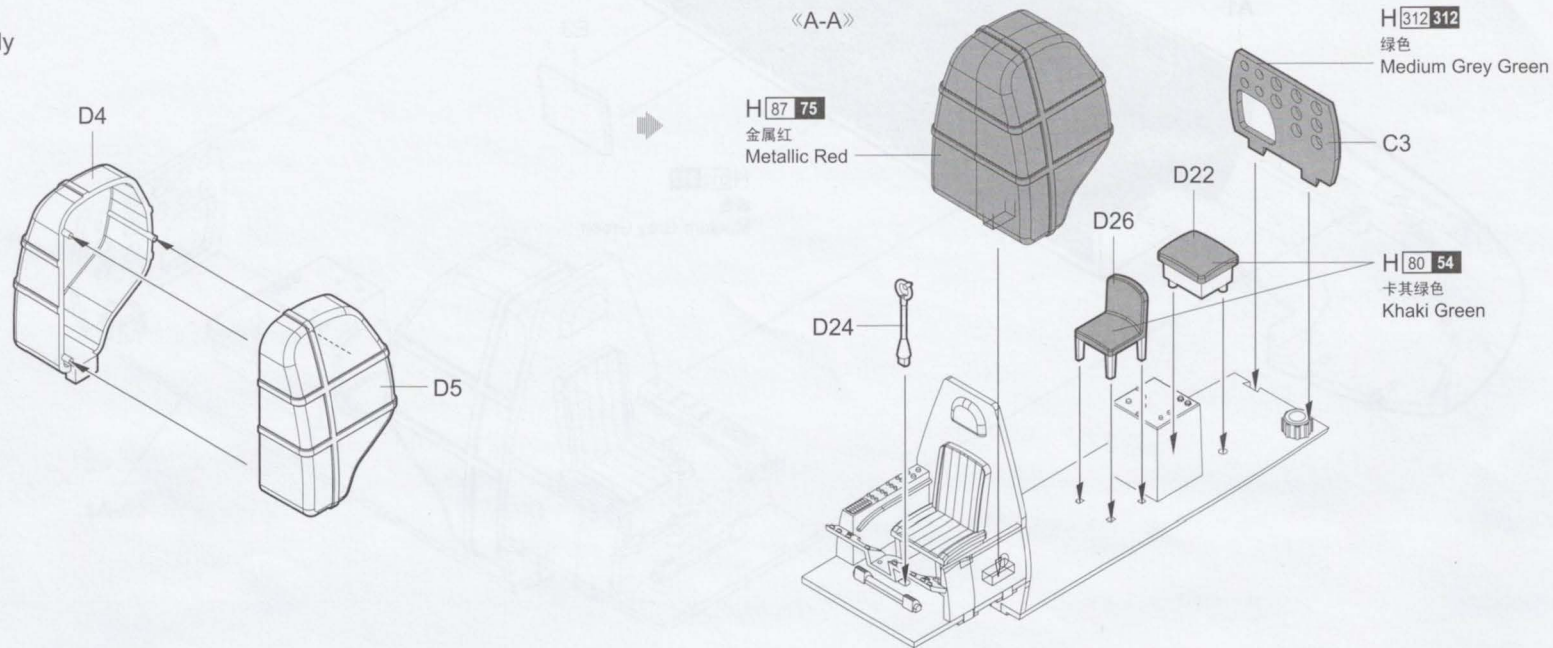
1

座舱的组装
Cockpit assembly

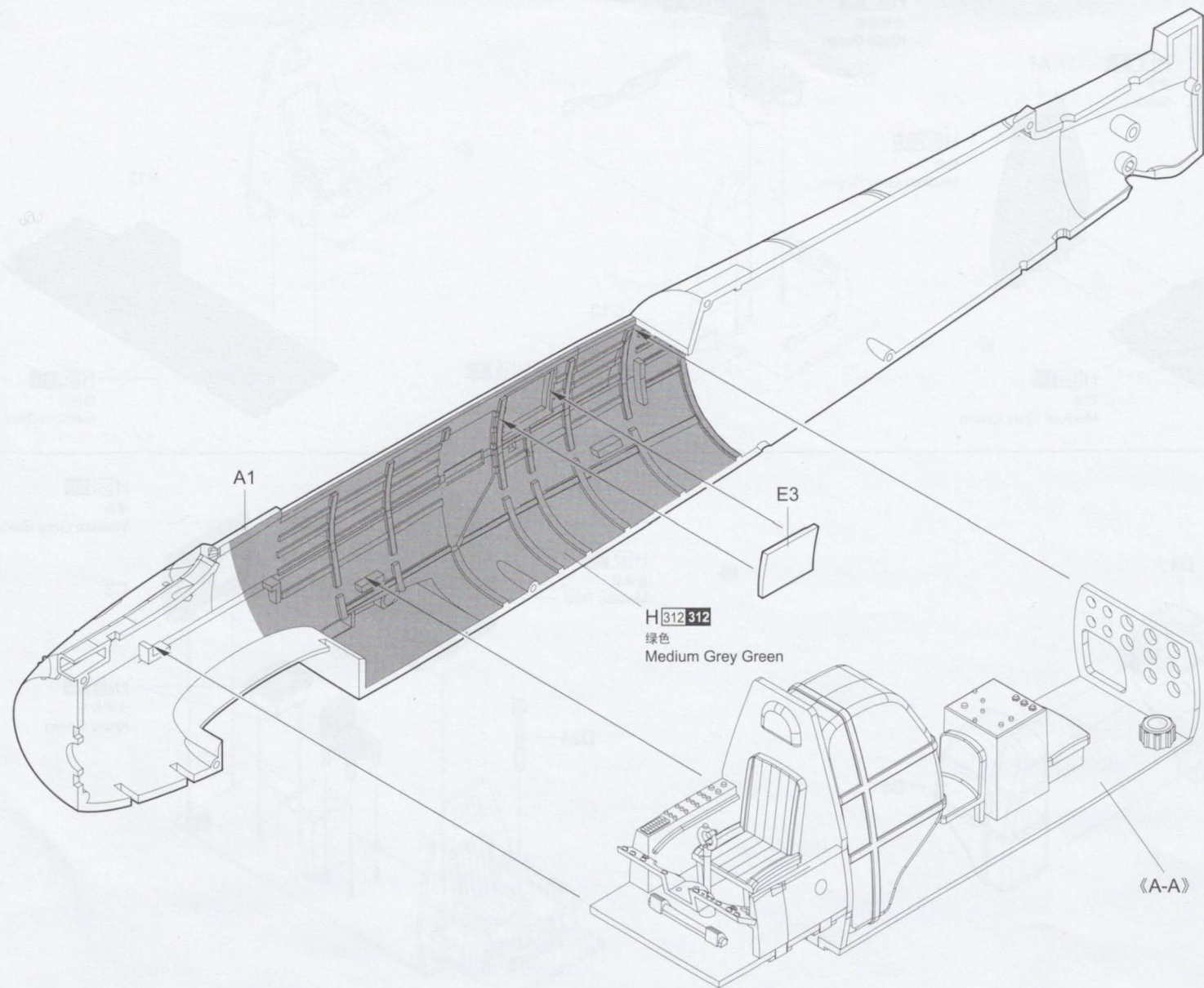


2

座舱的组装
Cockpit assembly



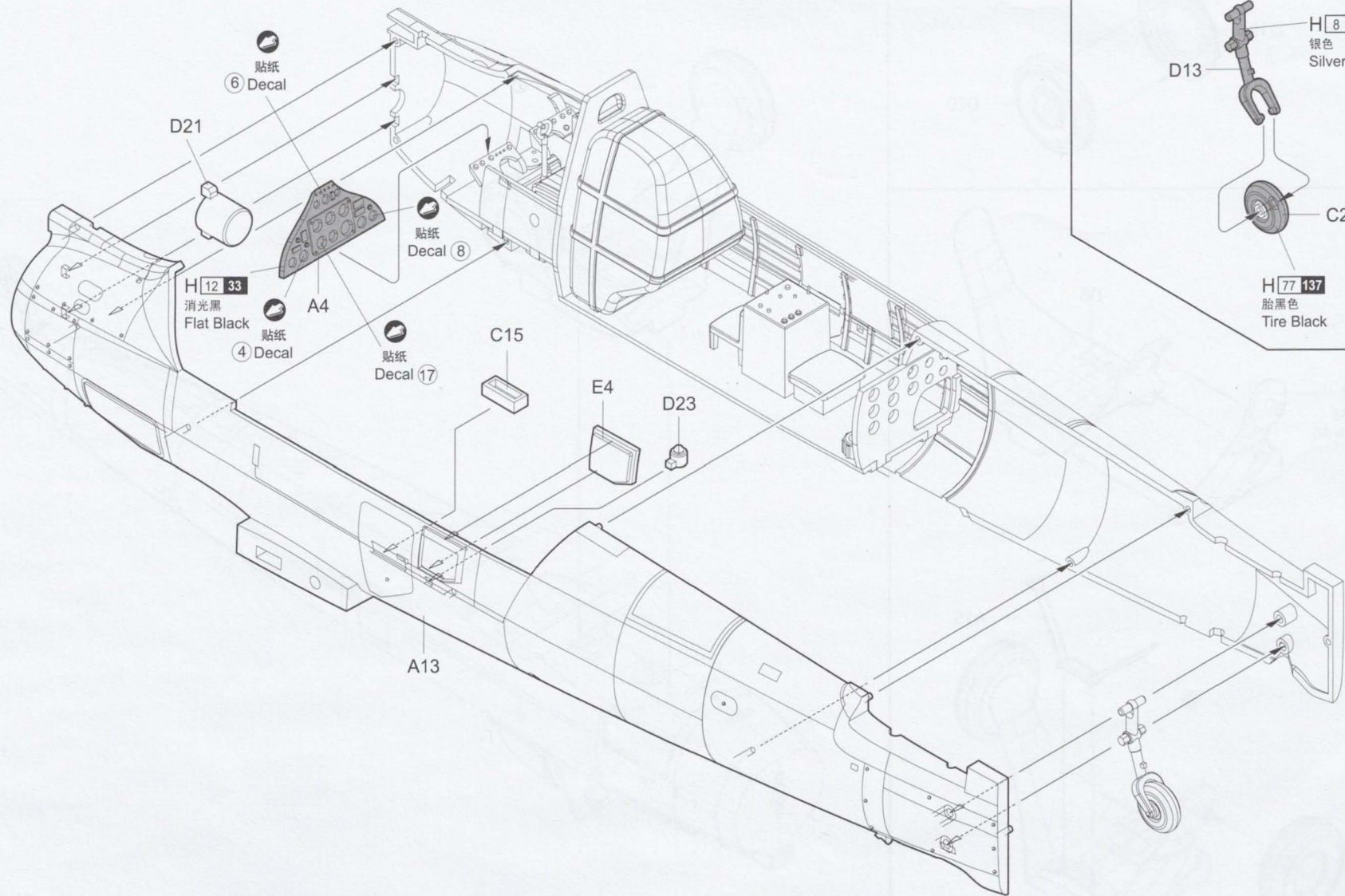
3



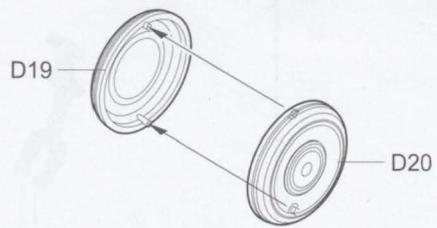
H 312 312
绿色
Medium Grey Green

«A-A»

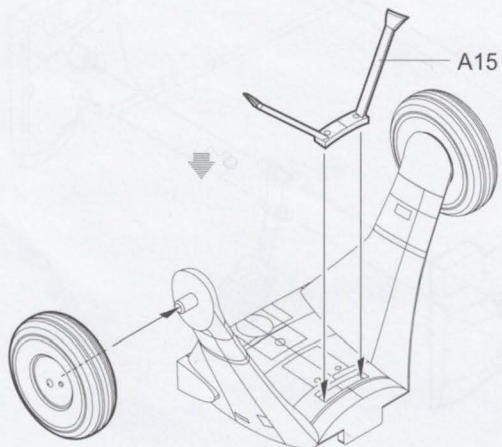
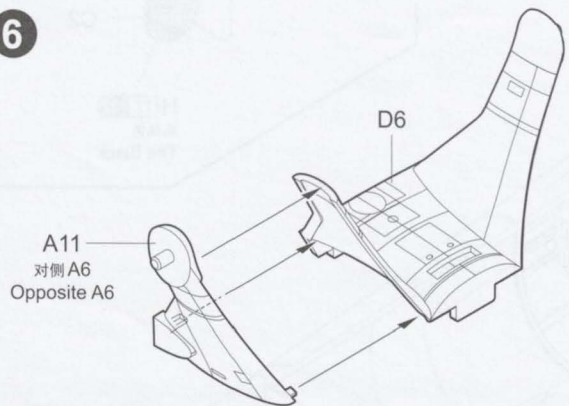
4



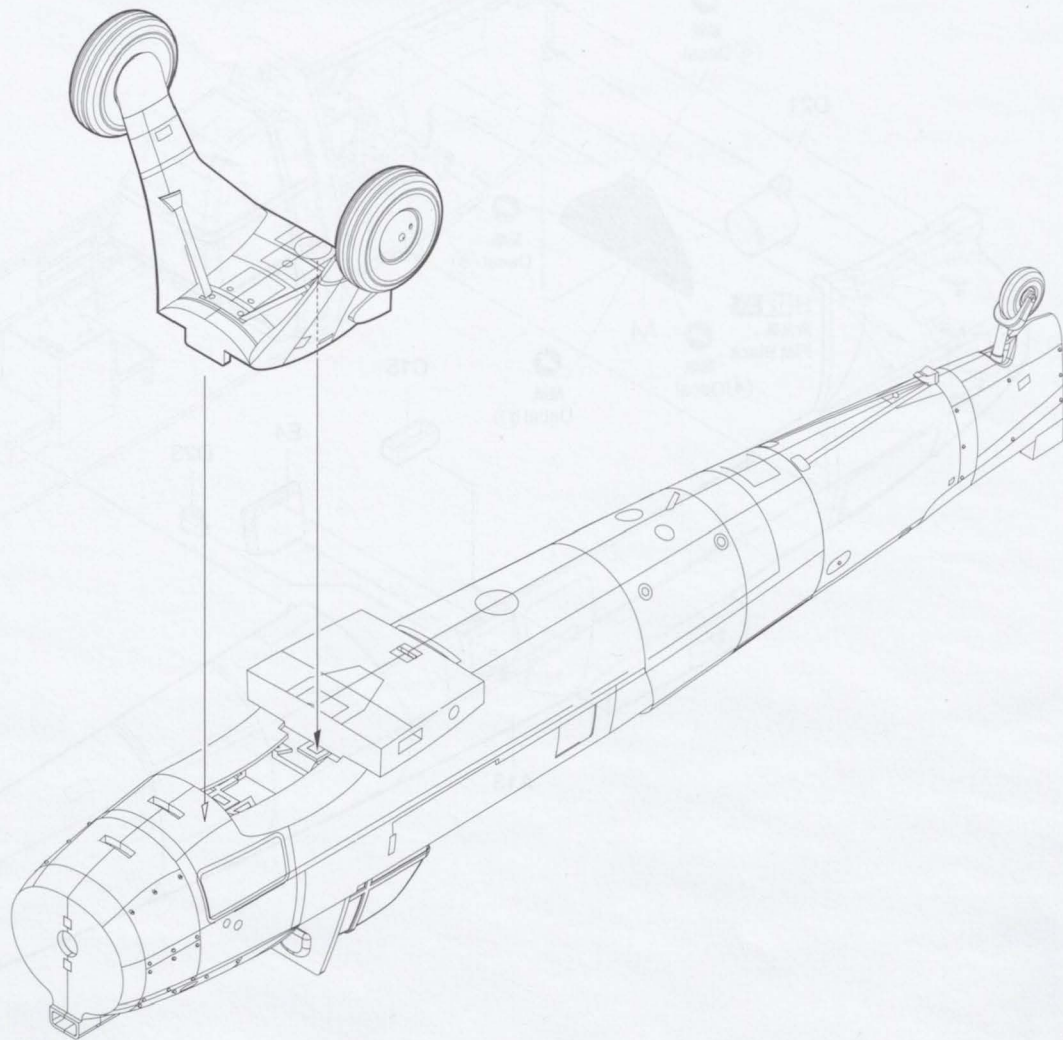
5 制作2组
Make two

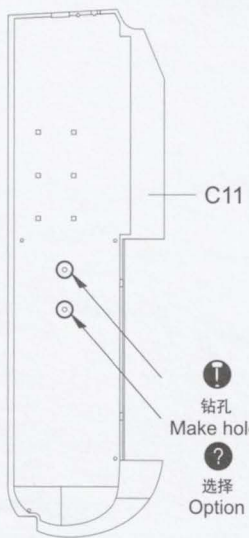


6

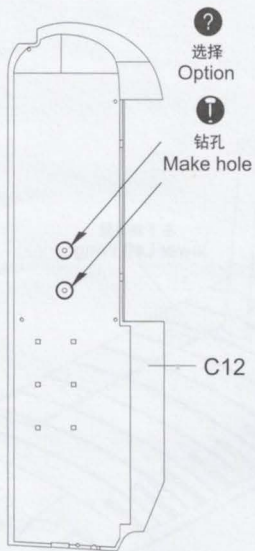
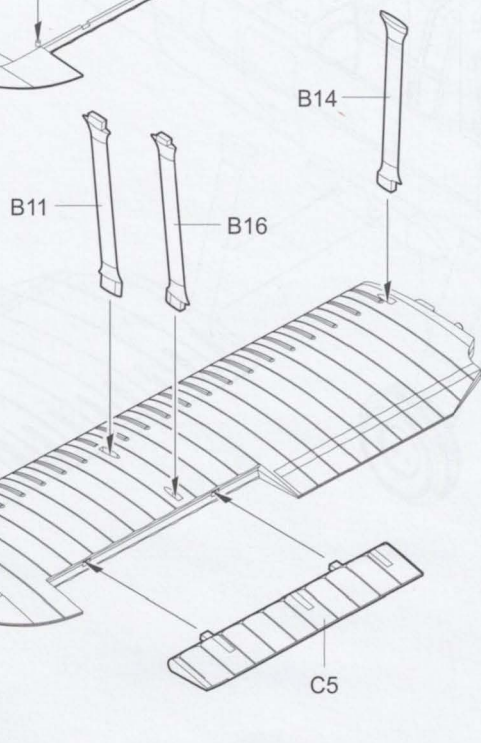
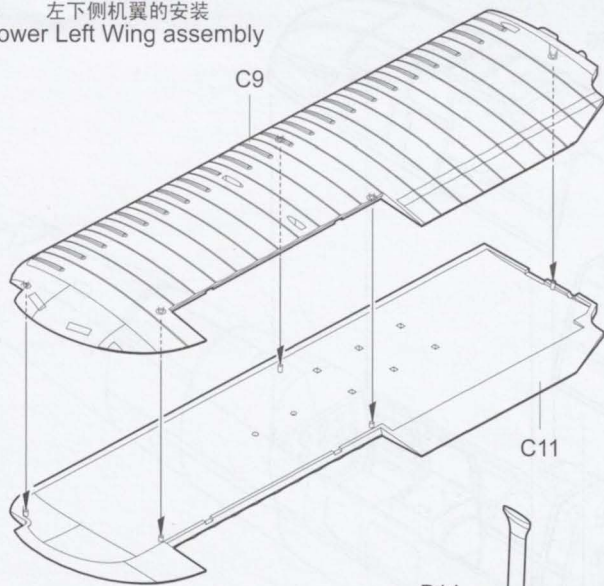


7

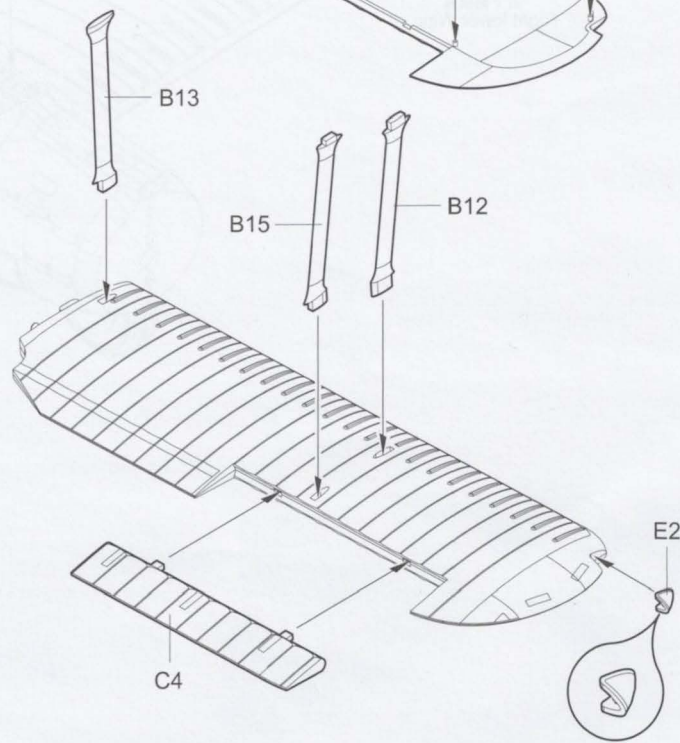
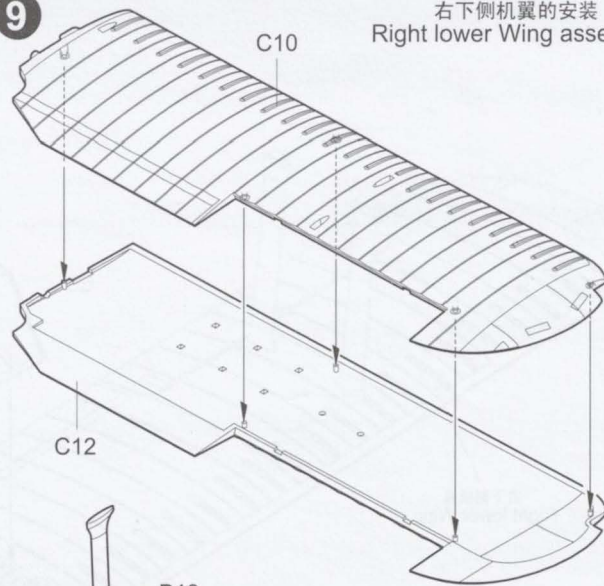




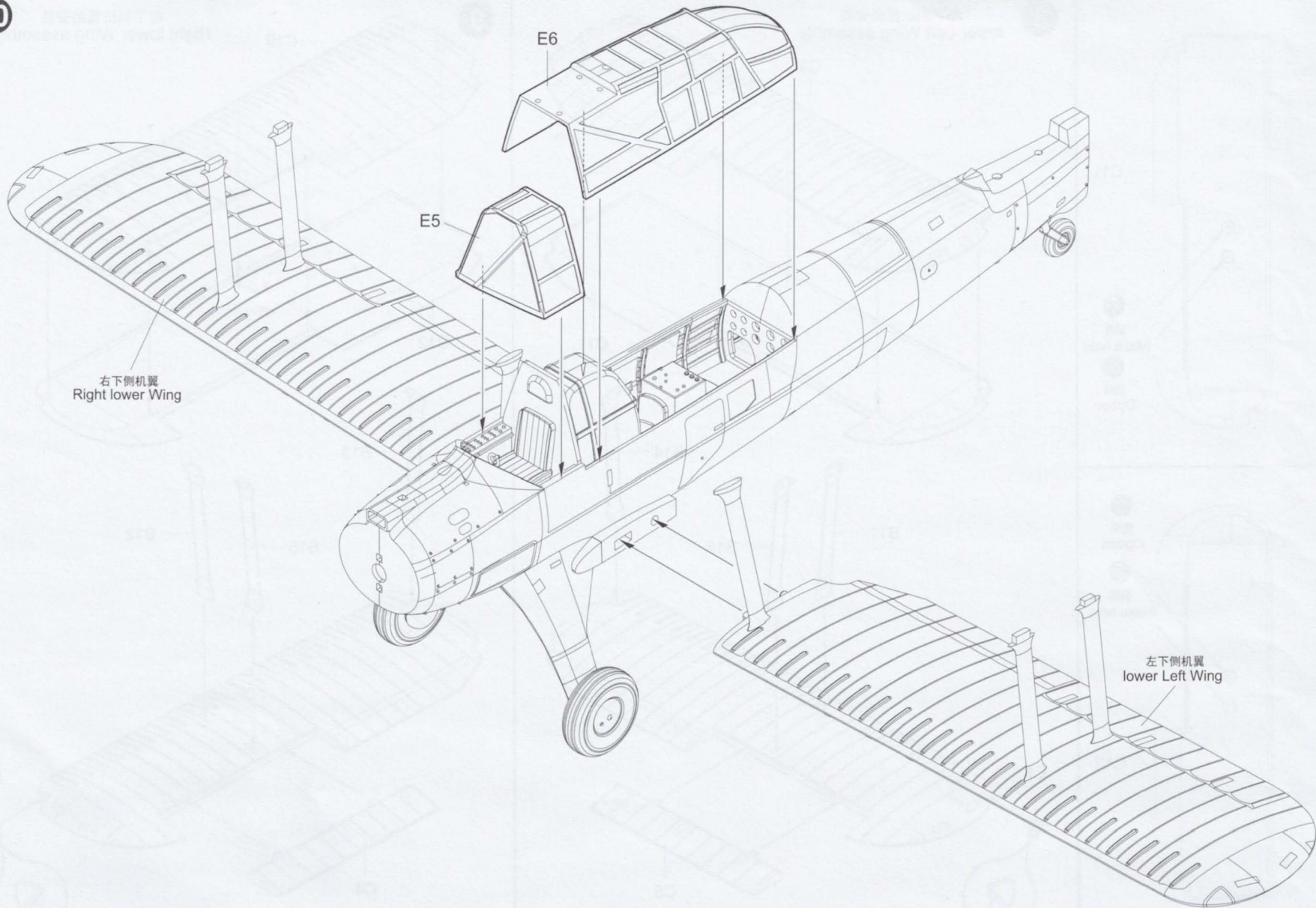
8 左下侧机翼的安装
lower Left Wing assembly



9 右下侧机翼的安装
Right lower Wing assembly

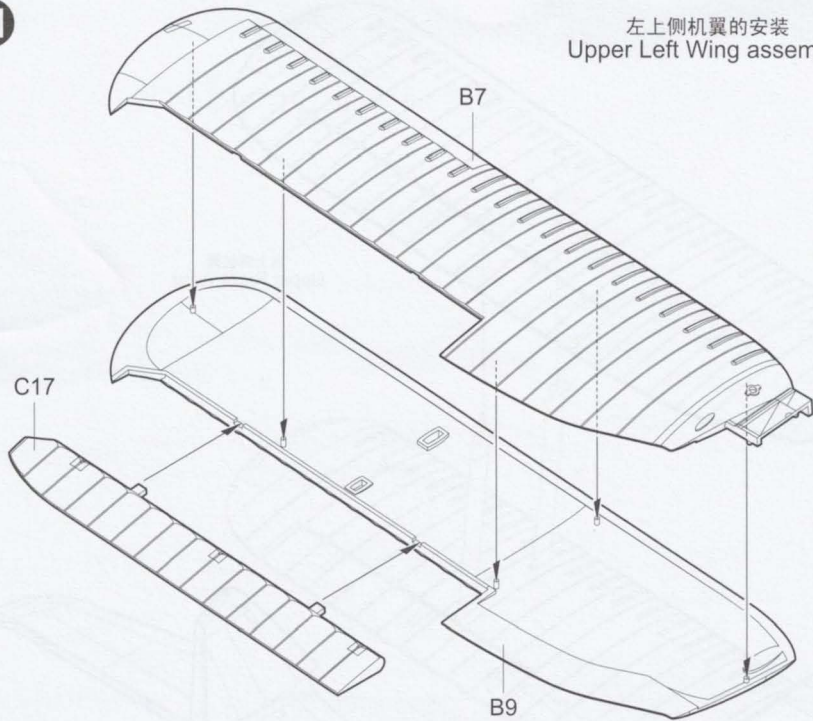


10



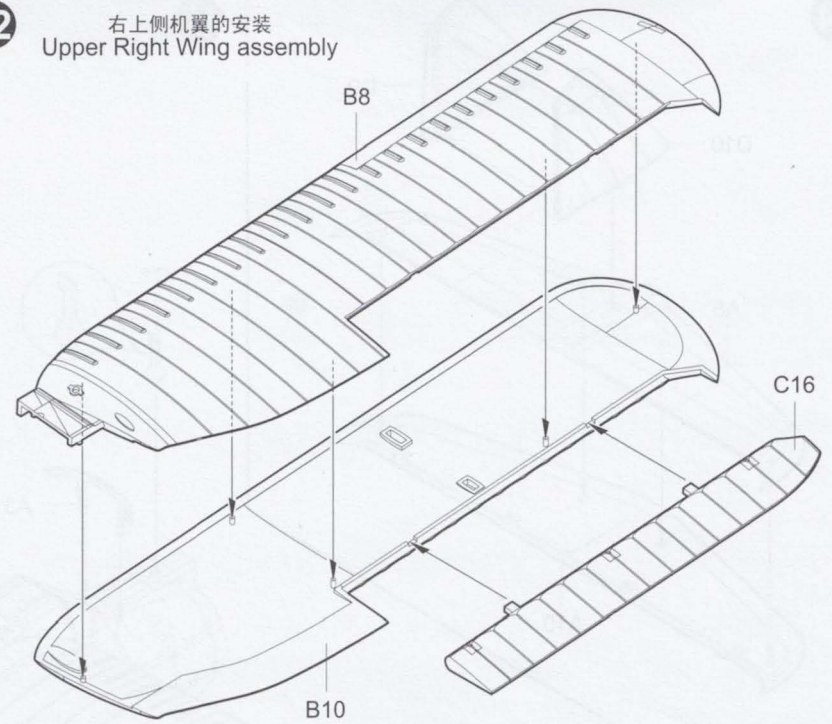
11

左上侧机翼的安装
Upper Left Wing assembly



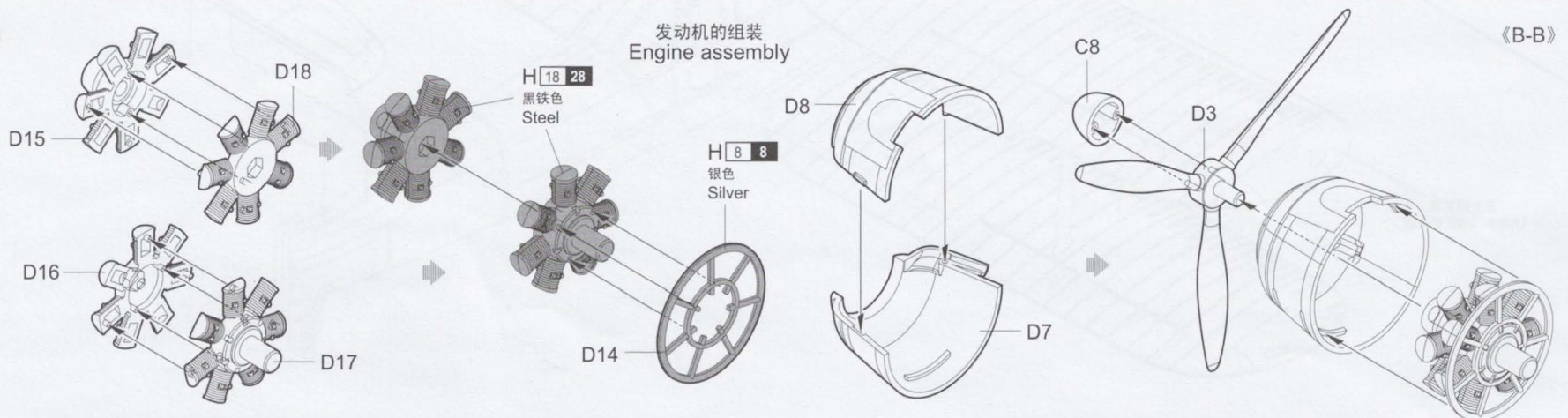
12

右上侧机翼的安装
Upper Right Wing assembly

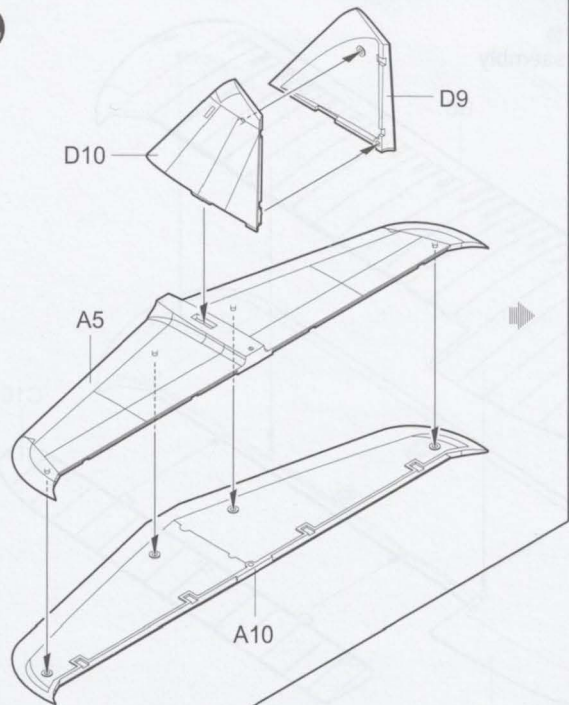


13

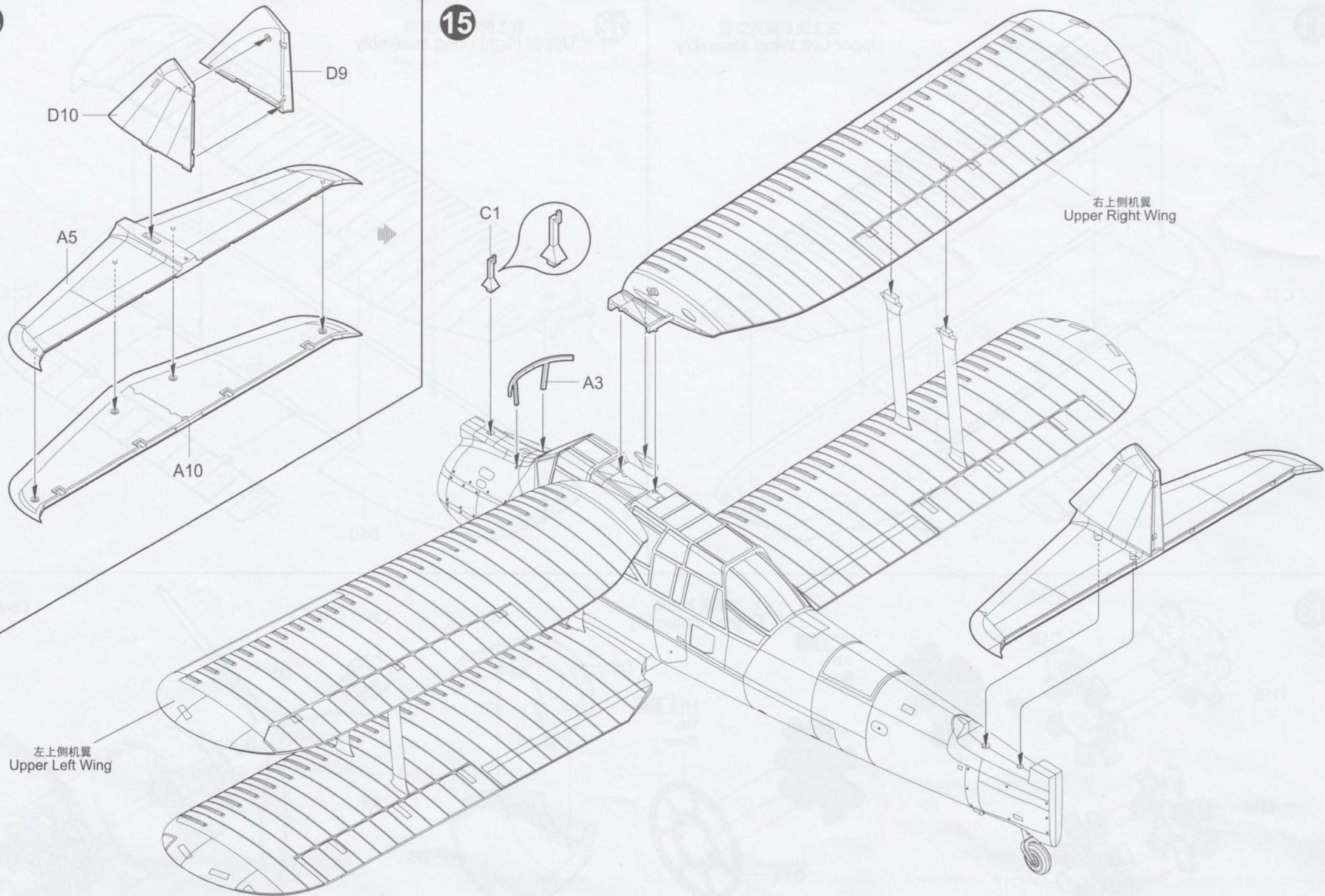
发动机的组装
Engine assembly



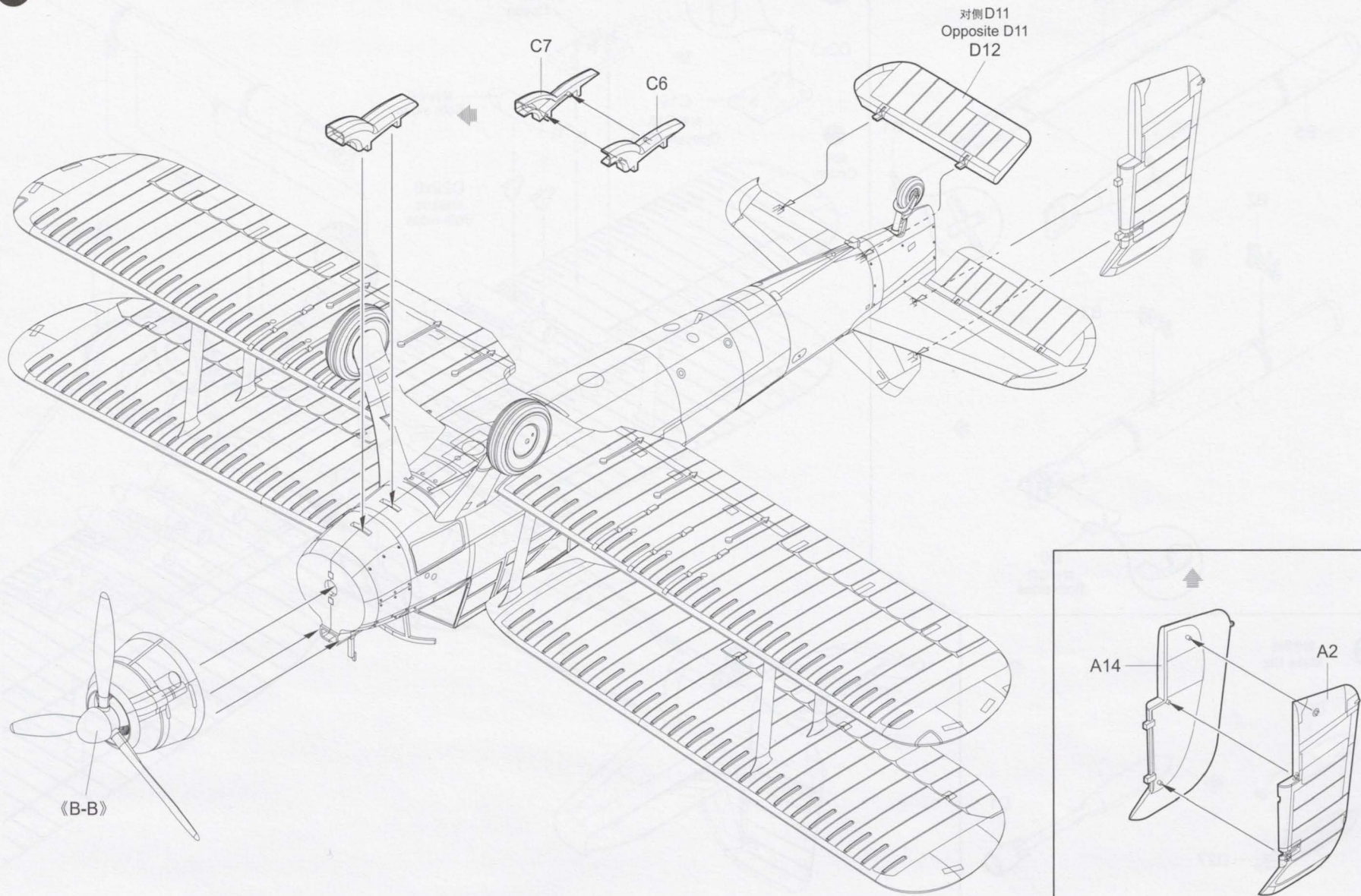
14



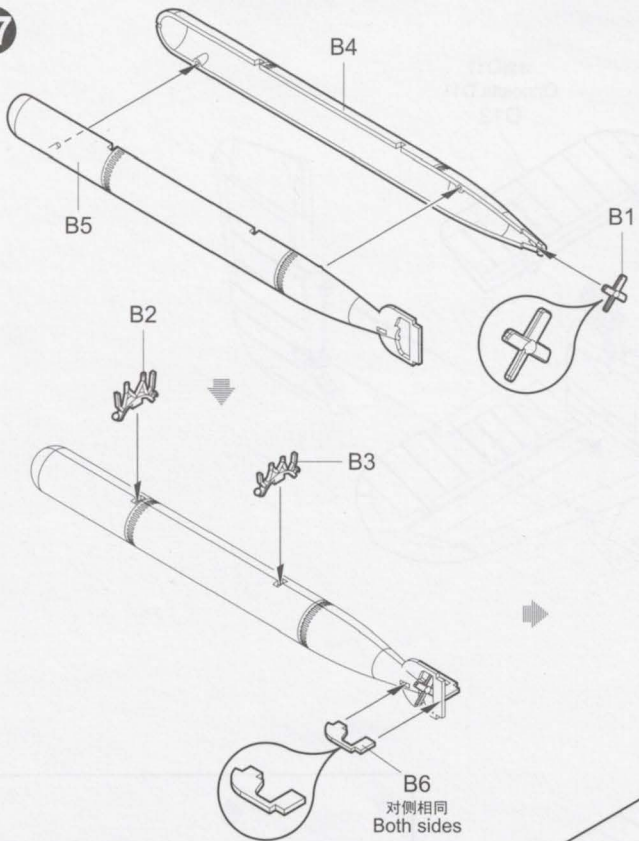
15



16



17

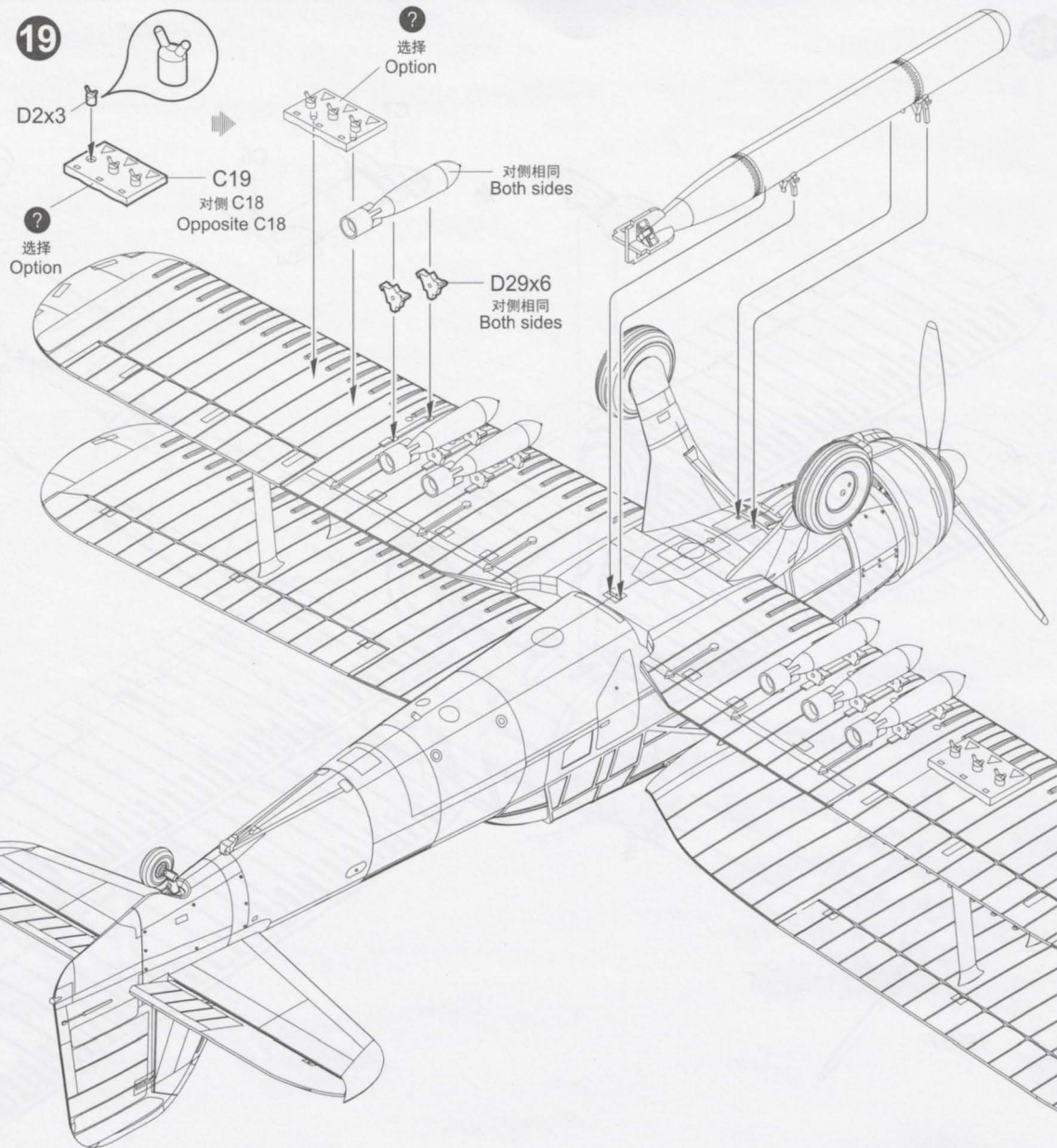


18

制作6组
Make Six



19

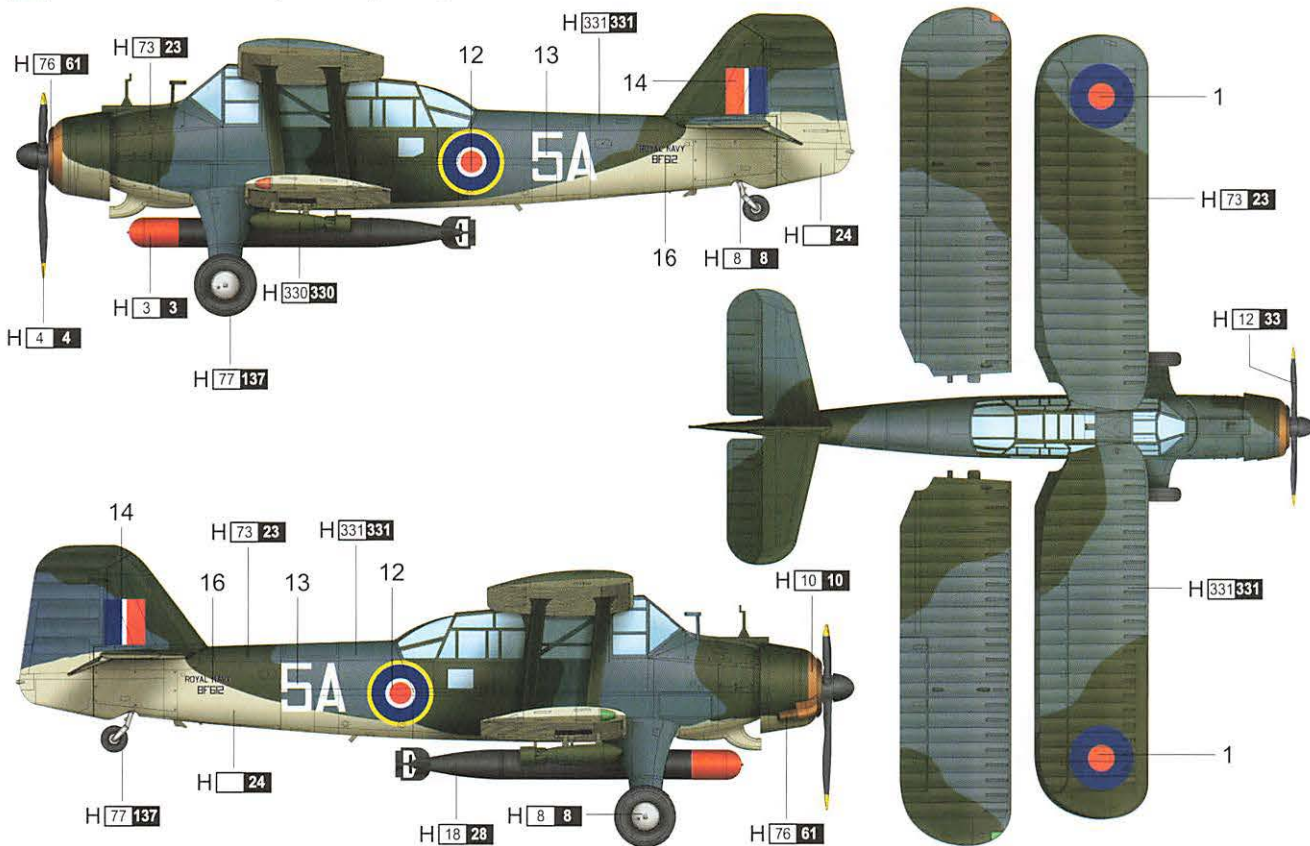


涂装同标贴指示
Painting & Marking guide

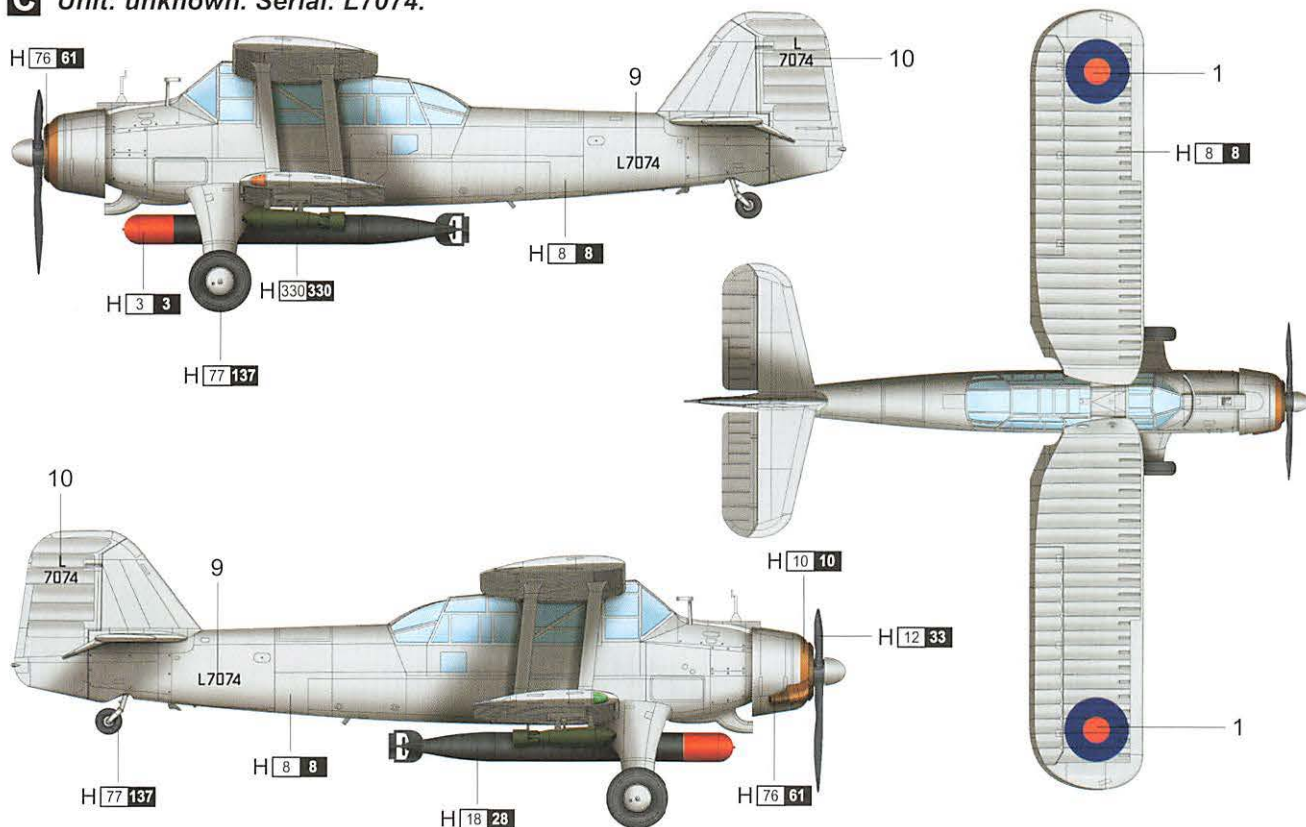
PAINT REFERENCE COLOR

Color	Mr.Hobby	Acrycion	Vallejo	Model Master	Tamiya	Humbrol	Color	Mr.Hobby	Acrycion	Vallejo	Model Master	Tamiya	Humbrol
Dark Green(2) 墨绿色	H 73 23	N 73	895	—	XF26	30	Burnt Iron 烧铁色	H 76 61	N 76	863	1795	X10	53
Copper 铜色	H 10 10	N 10	999	1551	XF6	12	Dark Seagray BS381C133 深海灰	H 331 331	N 331	—	—	XF54	164
Silver 银色	H 8 8	N 8	997	1546	X11	11	Dark Green BS381C161 深绿色	H 330 330	N 310	892	—	—	163

B 5A: BF612 817 Squadron, FAA, 1942.



C Unit: unknown. Serial: L7074.



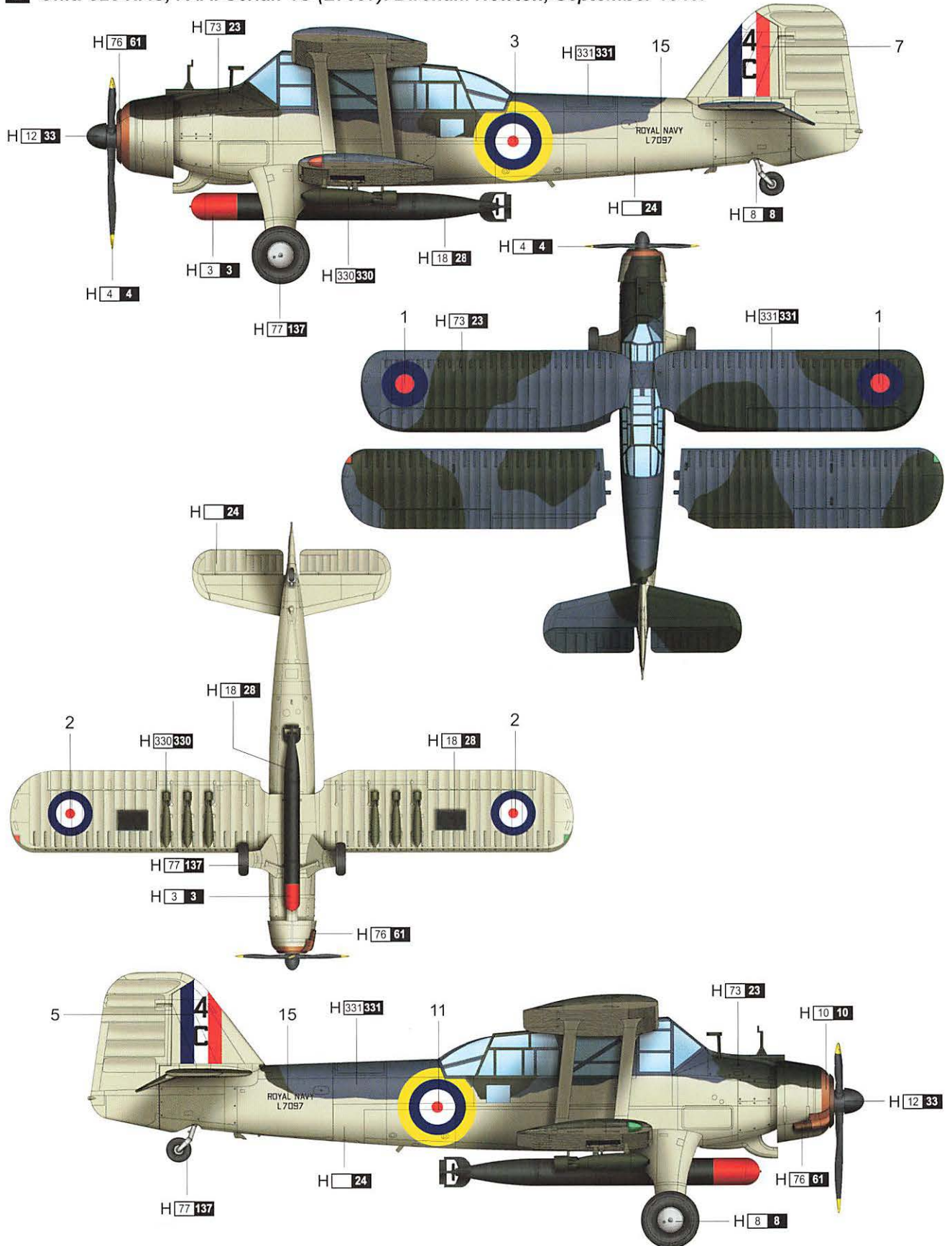
H AQUEOUS HOBBY COLOR Mr. COLOR
N ACRYCION COLOR

涂装同标贴指示
Painting & Marking guide

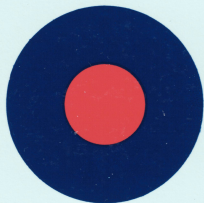
PAINT REFERENCE COLOR

Color	Mr.Hobby	Acrycion	Vallejo	Model Master	Tamiya	Humbrol	Color	Mr.Hobby	Acrycion	Vallejo	Model Master	Tamiya	Humbrol
Flat Black 消光黑	H 12 33	N 12	950	1749	XF1	33	Steel 黑铁色	H 18 28	N 18	864	1402	-	-
Tire Black 胎黑色	H 77 137	N 77	-	-	-	-	Yellow 黄色	H 4 4	N 4	953	1514	X8	69
Red 红色	H 3 3	N 3	908	1503	X7	19	Sky 天空色	H 24	N	-	-	-	-

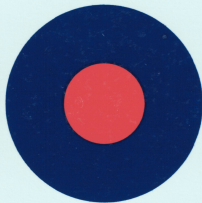
A Unit: 826 NAS, FAA. Serial: 4C (L7097). Bircham Newton, September 1940.



H AQUEOUS HOBBY COLOR Mr. COLOR
N ACRYCION COLOR



1



4



2



3



12

5



6



7



8

L
7074

9

L7074

L7074

10
L
7074



11



13



14



ROYAL NAVY
L7097

15

ROYAL NAVY
L7097

ROYAL NAVY
BF612

16

ROYAL NAVY
BF612

17



02880 1/48 Fairey Albacore Torpedo Bomber