

1/48 SCALE Chinese J-11 Fighter

中国最新歼-11战斗机



The J-11 is an advanced 3th-generation fighter of the China Air Force. It's the Chinese version of the Russian Sukhoi Su-27 SK air-superiority fighter built by Shenyang Aircraft Corporation. As time goes by, there are many increasing Chinese content in the aircraft, with some improvements over the original Su-27SK in the following areas: radar, flight instrumentation and added air-to-surface attack capability. China will intend to use domestic WS-10A engines to replace the Russian Saturn Lyulka AL-31F in the coming future. By development of Chinese aviation industry, J-11 plays an important multi-role in the PLAF's weapon sequence.

J-11战斗机是由沈阳飞机公司制造的中国第三代战斗机，它是俄罗斯苏霍伊设计局的Su-27SK战斗机的“中国版”。随着时间的推移，该机上中国成分的改进比重日益增大，相对于早期的Su-27SK，J-11更换了雷达、飞行仪表系统以及增加了对地攻击能力。中国还将在不久的将来用国产的WS-10A发动机替换原装俄罗斯土星-留里卡公司的AL-31F发动机。在中国航空工业发展的带动下，J-11战斗机在中国空军的武器系列中正扮演着重要的角色。

颜色指示 COLORS

H[2]- 黑色 Black

H[8]- 银色 Silver

H[11]- 白色(哑光) Flat White

H[12]- 黑(哑光) Flat Black

H[13]- 红(哑光) Flat Red

H[18]- 黑铁色 Steel

H[51]- 浅灰色 Light Gull Gray

H[53]- 灰色 Neutral Gray

H[67]- 浅蓝色 RLM 65 Light Blue

H[69]- 灰 75 RLM 75 Gray

H[77]- 胎黑色 Tire Black

H[90]- 透明红 Clear Red

H[94]- 透明绿 Clear Green

H[306]- 灰 FS36270 Gray FS36270

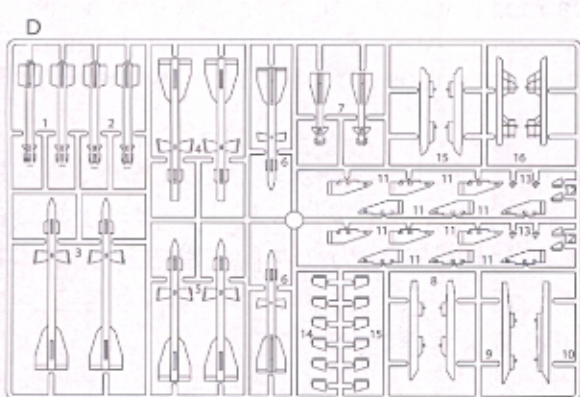
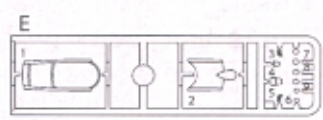
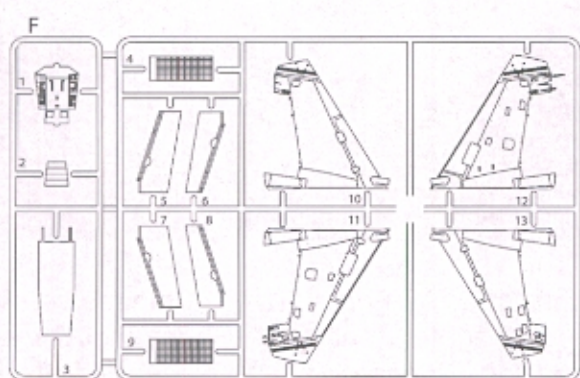
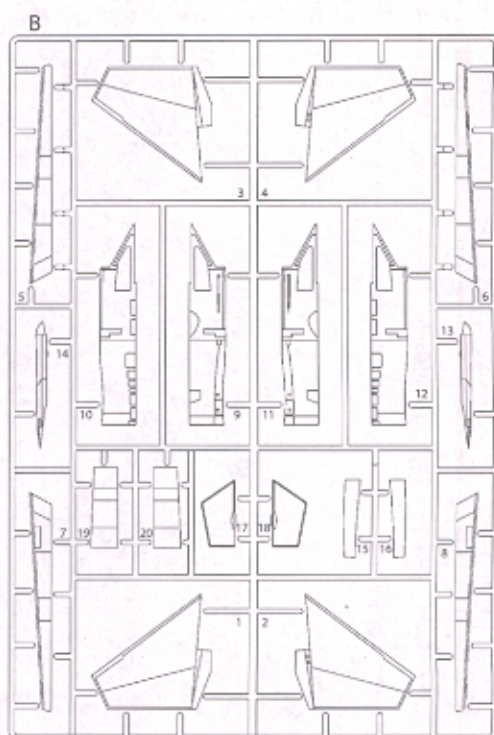
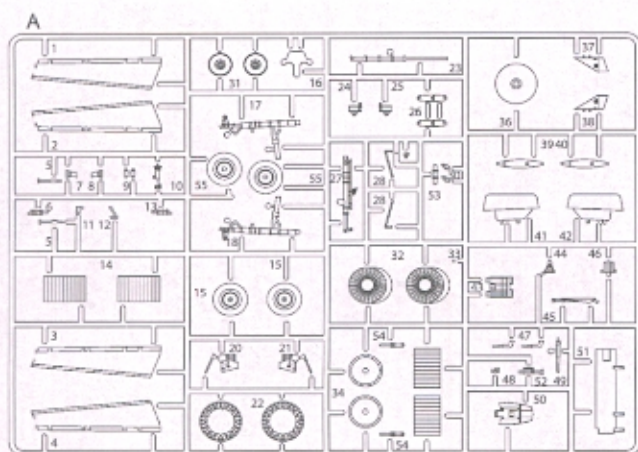
H[61]- 明白灰 Ijn Gray

H[76]- 烧铁色 Burnt Iron

H[937]- 浅灰蓝 Gray blue

H[905]- 灰色 Medium Gunship Gray

部品图
Parts



上机身X1 Fuselage(Upper)X1
下机身X1 Fuselage(Lower)X1
水贴纸X1 DecalX1

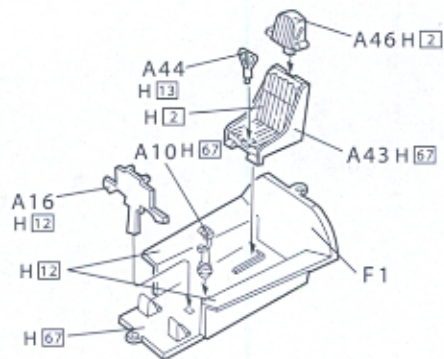
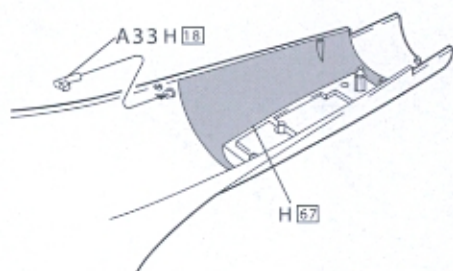
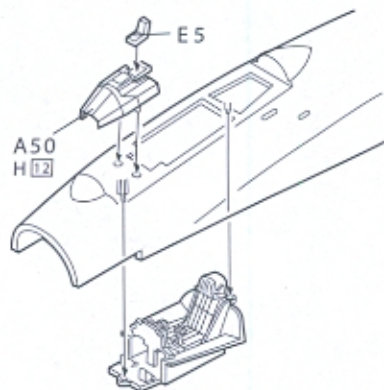
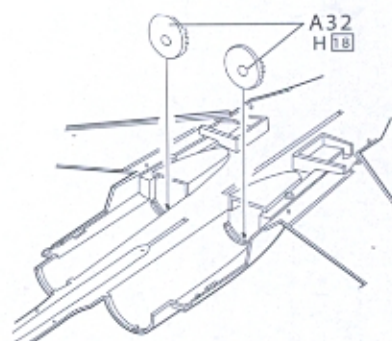
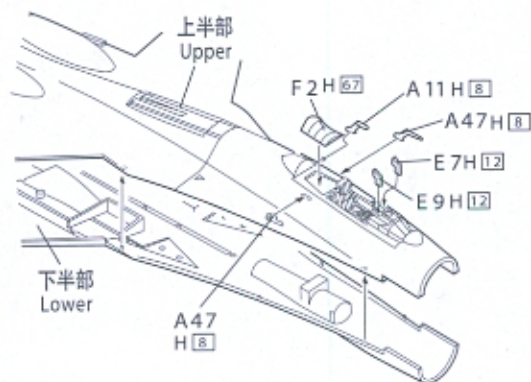
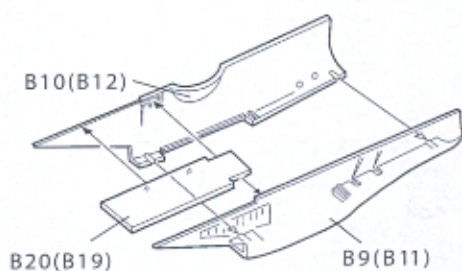
不用部品
Parts not used
E4

水贴纸的使用:

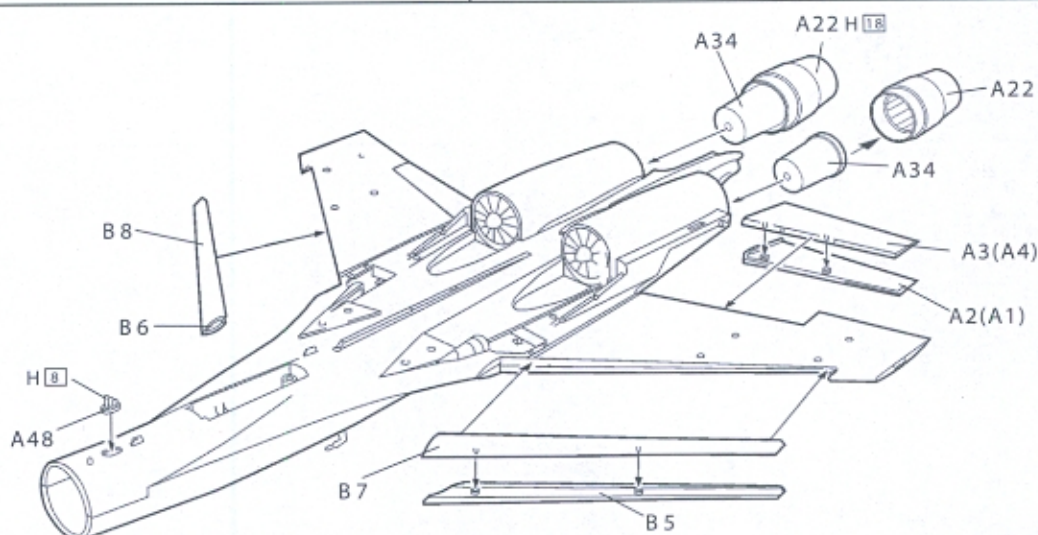
1. 从水贴上剪下印花;
2. 将印花放入温水中浸10秒, 然后放在干净布上。
3. 拿着印花纸板将印花移到模型上;
4. 手指蘸水将印花移到适当的位置;
5. 用软布轻压印花直至水干, 气泡消失。

DECAL APPLICATION

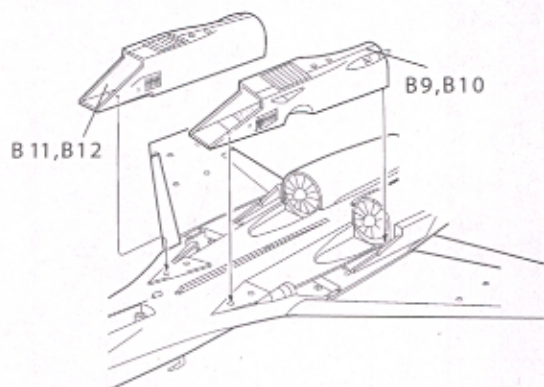
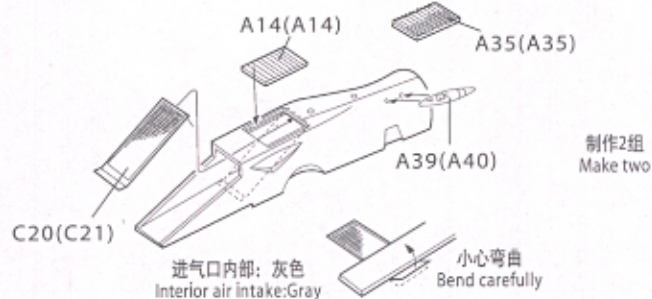
1. Cut off decal from sheet.
2. Dip the decal in tepid water 40°C for about 10 sec. and place on a clean cloth.
3. Hold the backing sheet edge and slide decal onto the model.
4. Move decal into position by wetting decal with finger.
5. Press decal gently down with a soft cloth until excess water and air bubbles are gone.

1**2****3****4****5****6**

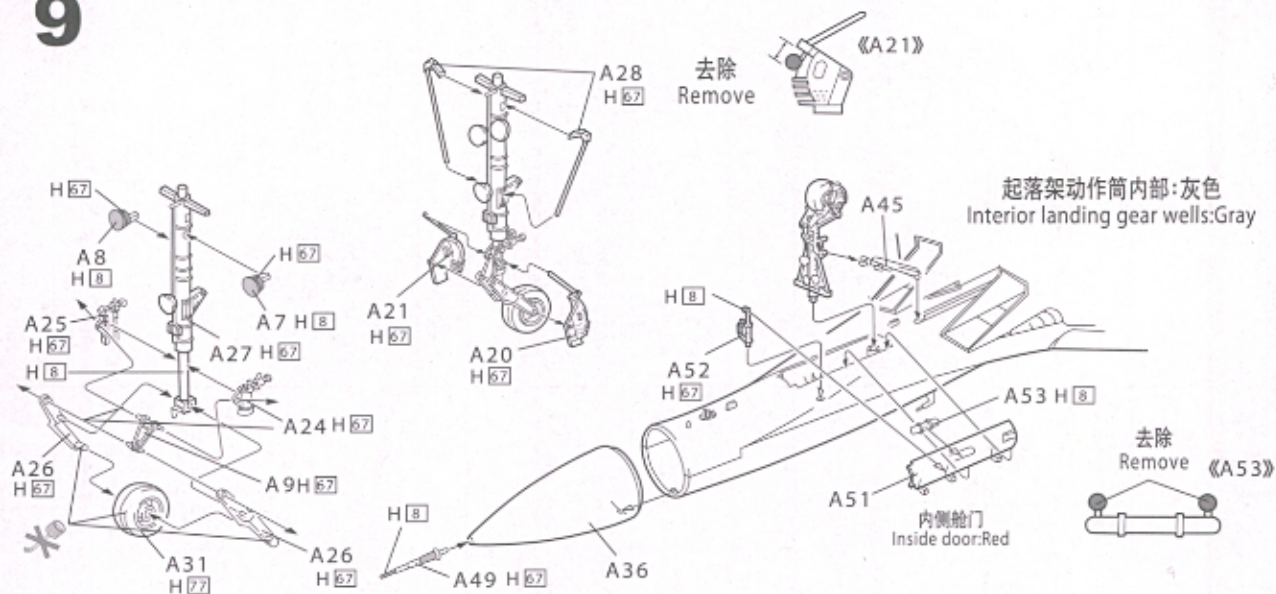
()表示对侧编号
※ () is opposite number
若安装挂架请开孔
Open holes if installing pylons

7

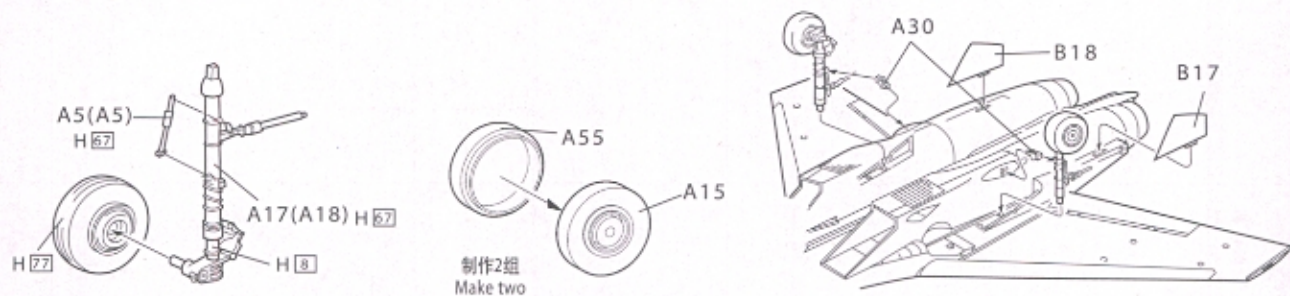
8



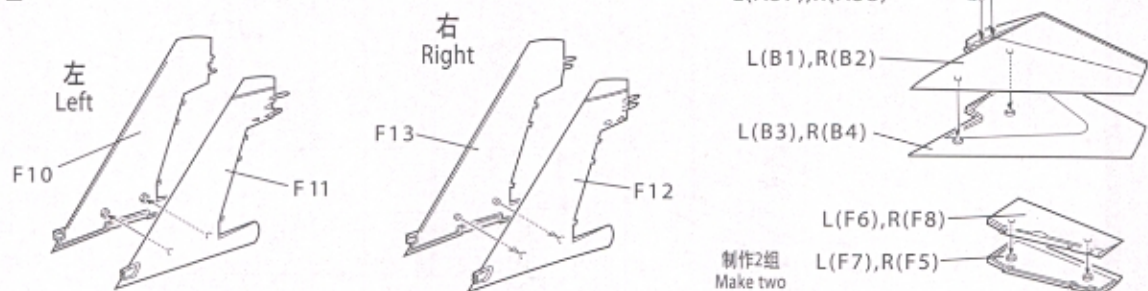
9



10



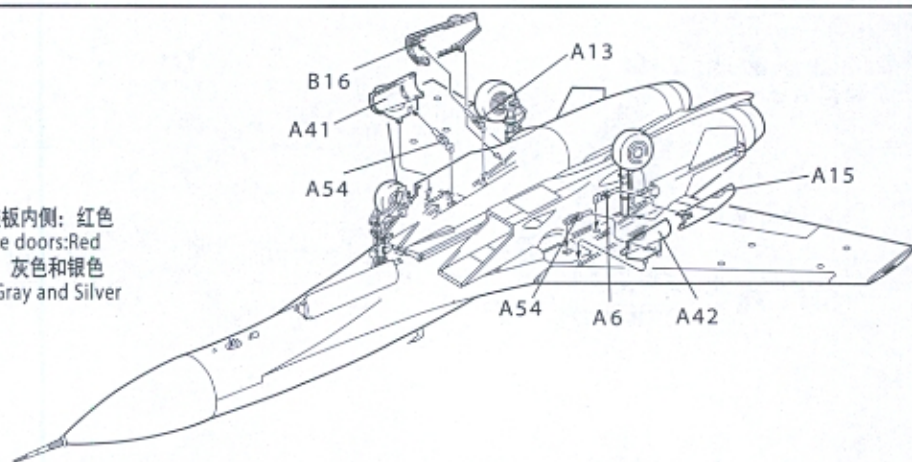
11



12

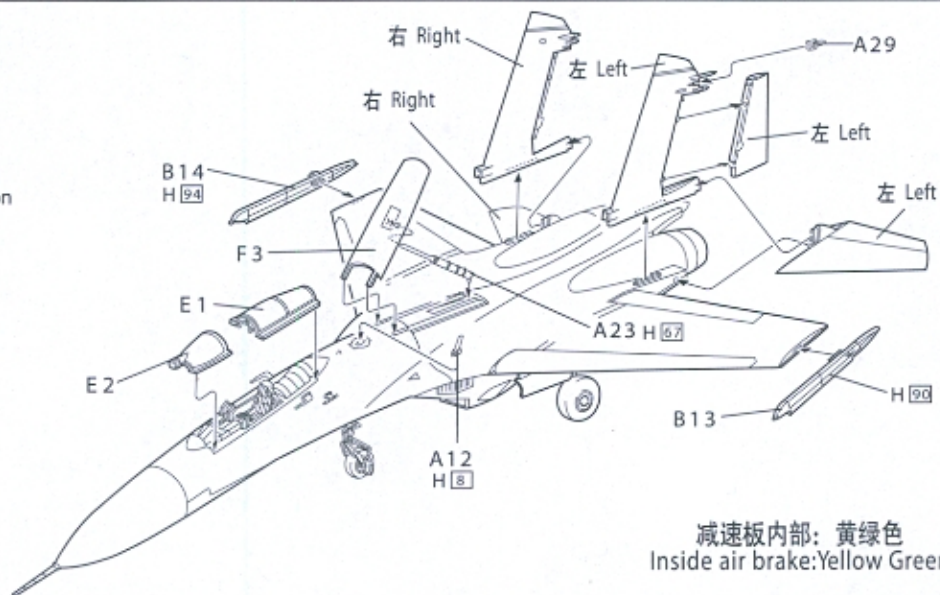
舱盖内侧: 红色
Inside doors: Red
支撑: 灰色和银色
Struts: Gray and Silver

()表示对侧编号
※() is opposite number



13

选择
Option



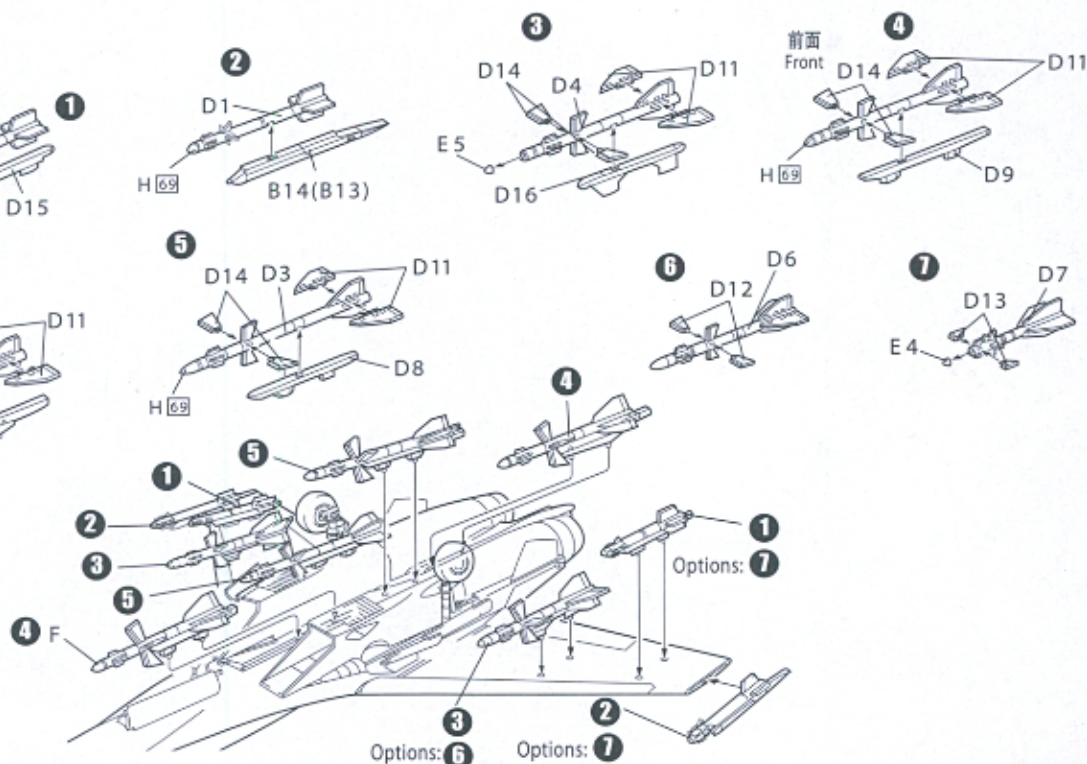
减速板内部: 黄绿色
Inside air brake: Yellow Green

14

制作2组
Make two

后面
Rear

导弹: 白色
Missiles: White
挂架: 灰
Pylons: Gray



Marking & Painting Guide
涂装和标贴

