

1/72 SCALE MODEL CONSTRUCTION KIT

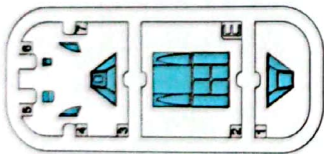
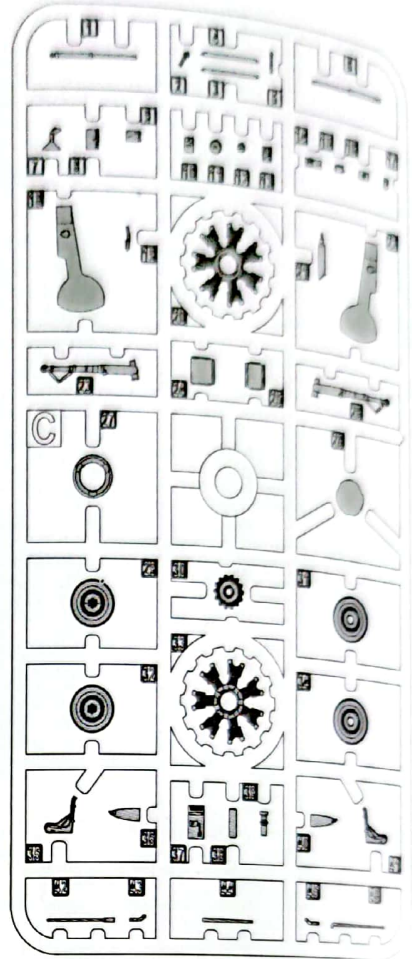
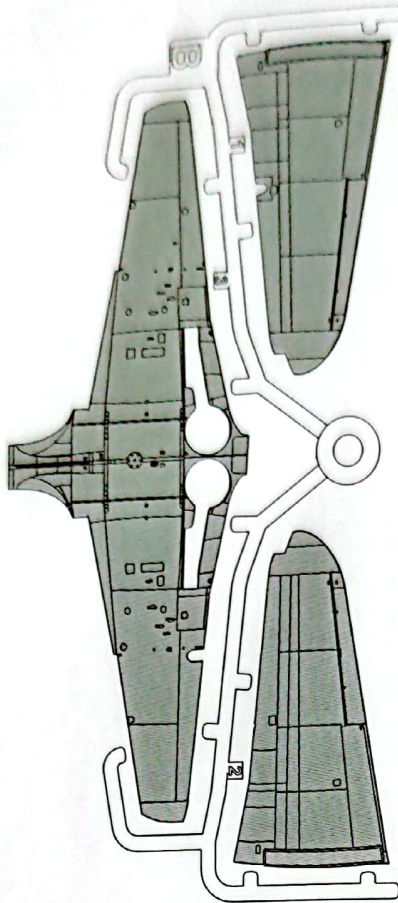
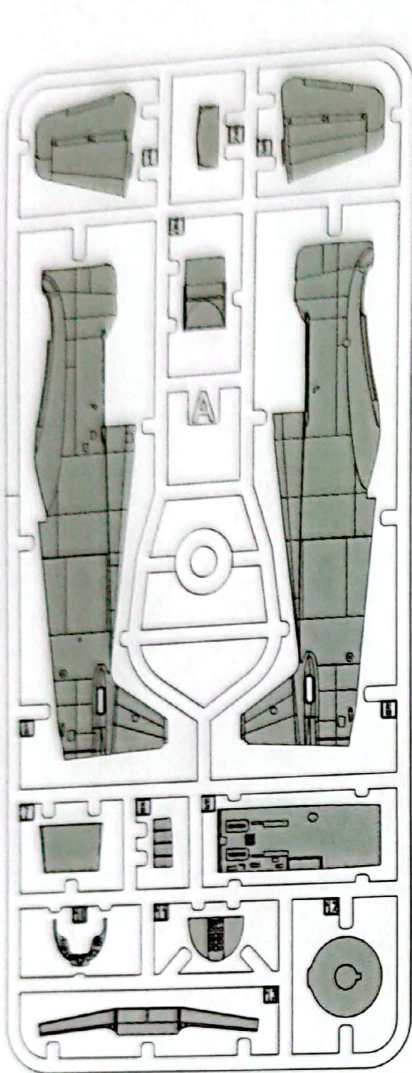


Marcel-Bloch M.B.152C.1

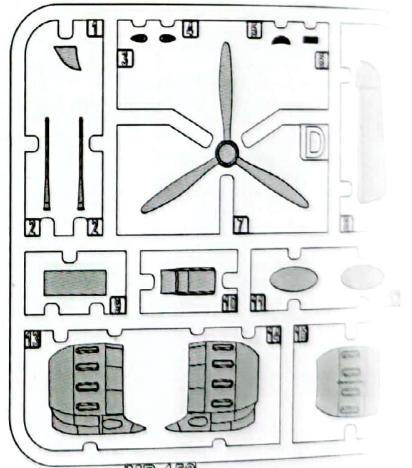
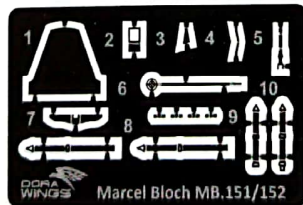
DW 72028

PARTS OF THE MODEL

In memory of our friend Joël Ducasse - 1957-2019
 The model was created according to the original drawings developed
 by Joël Ducasse in collaboration with Billault Sosthène Waroff

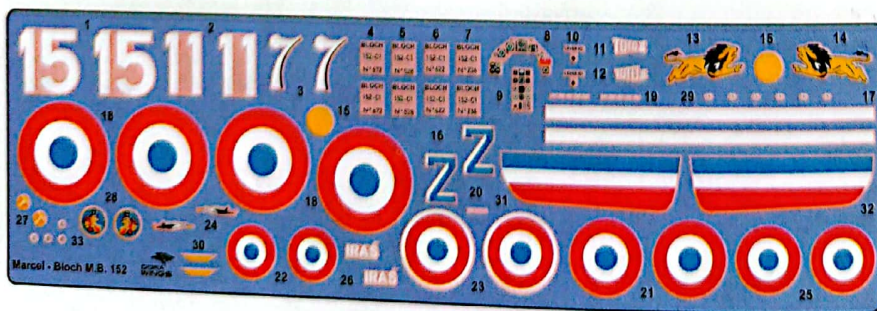


PE

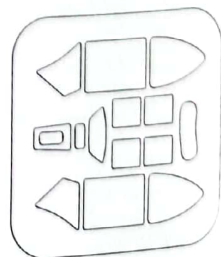


MB-152

Decal

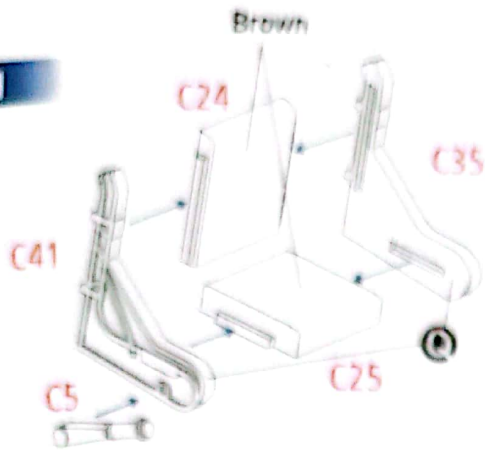


Mask

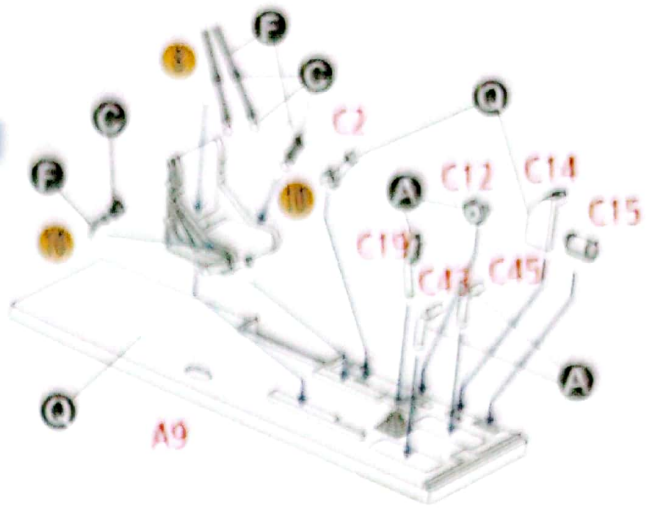


ASSEMBLY INSTRUCTION

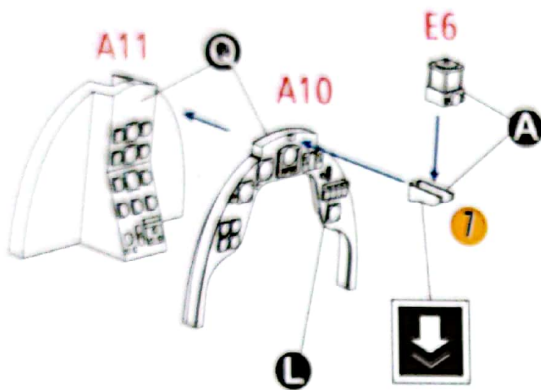
1



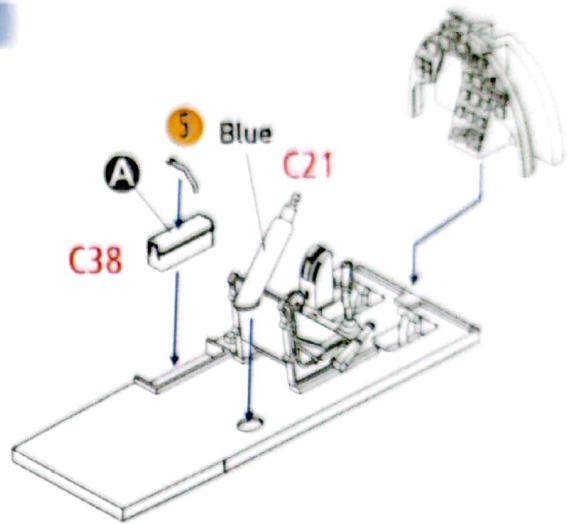
2



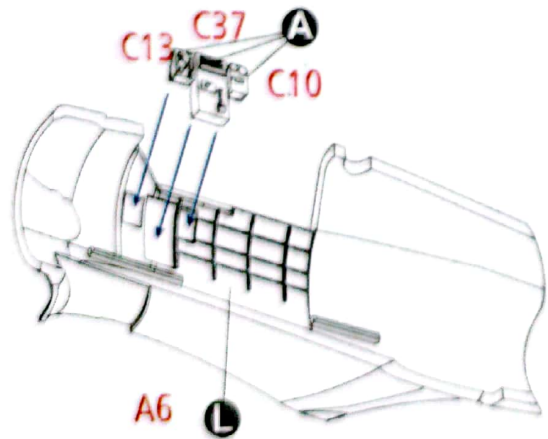
3



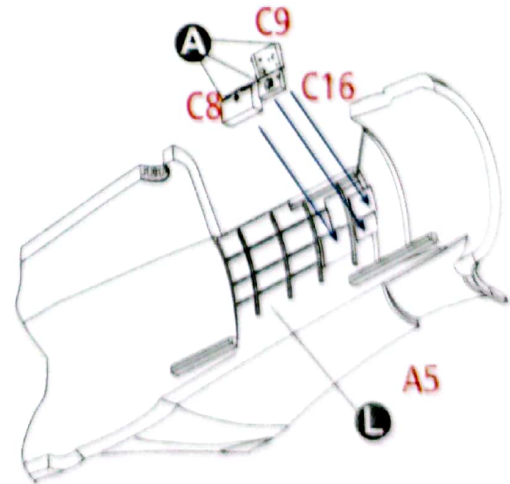
4



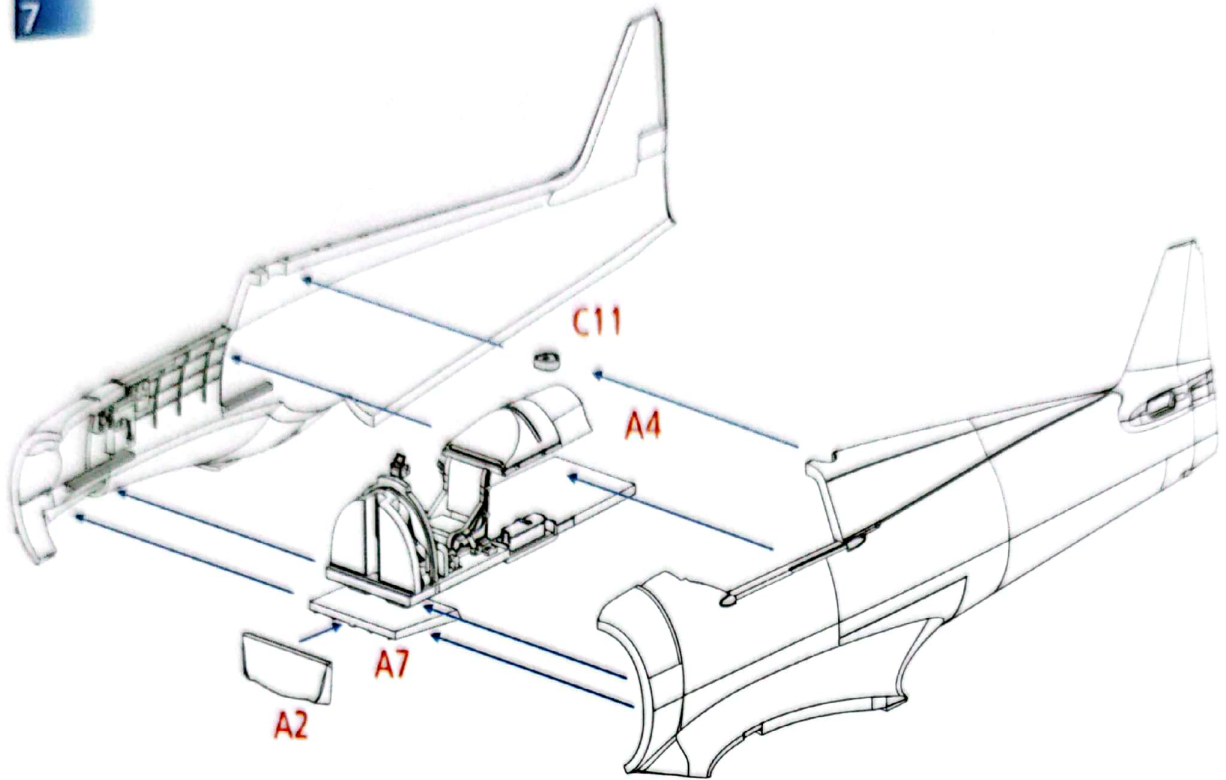
5



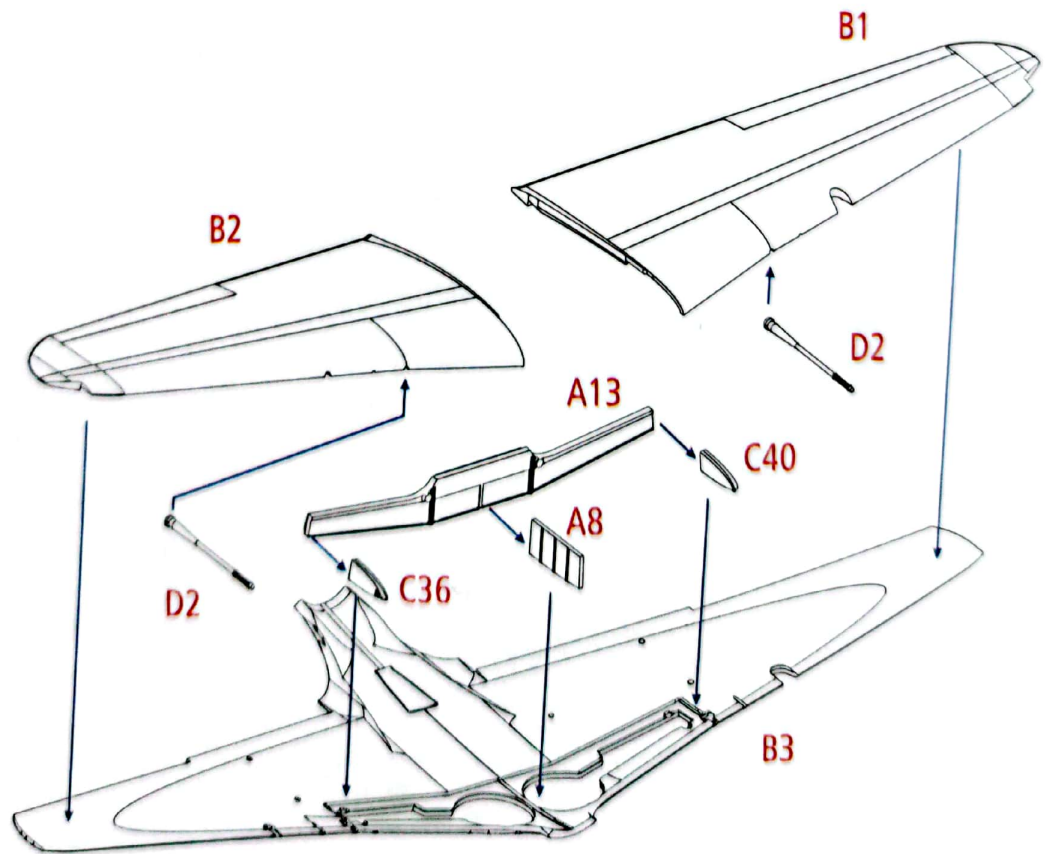
6



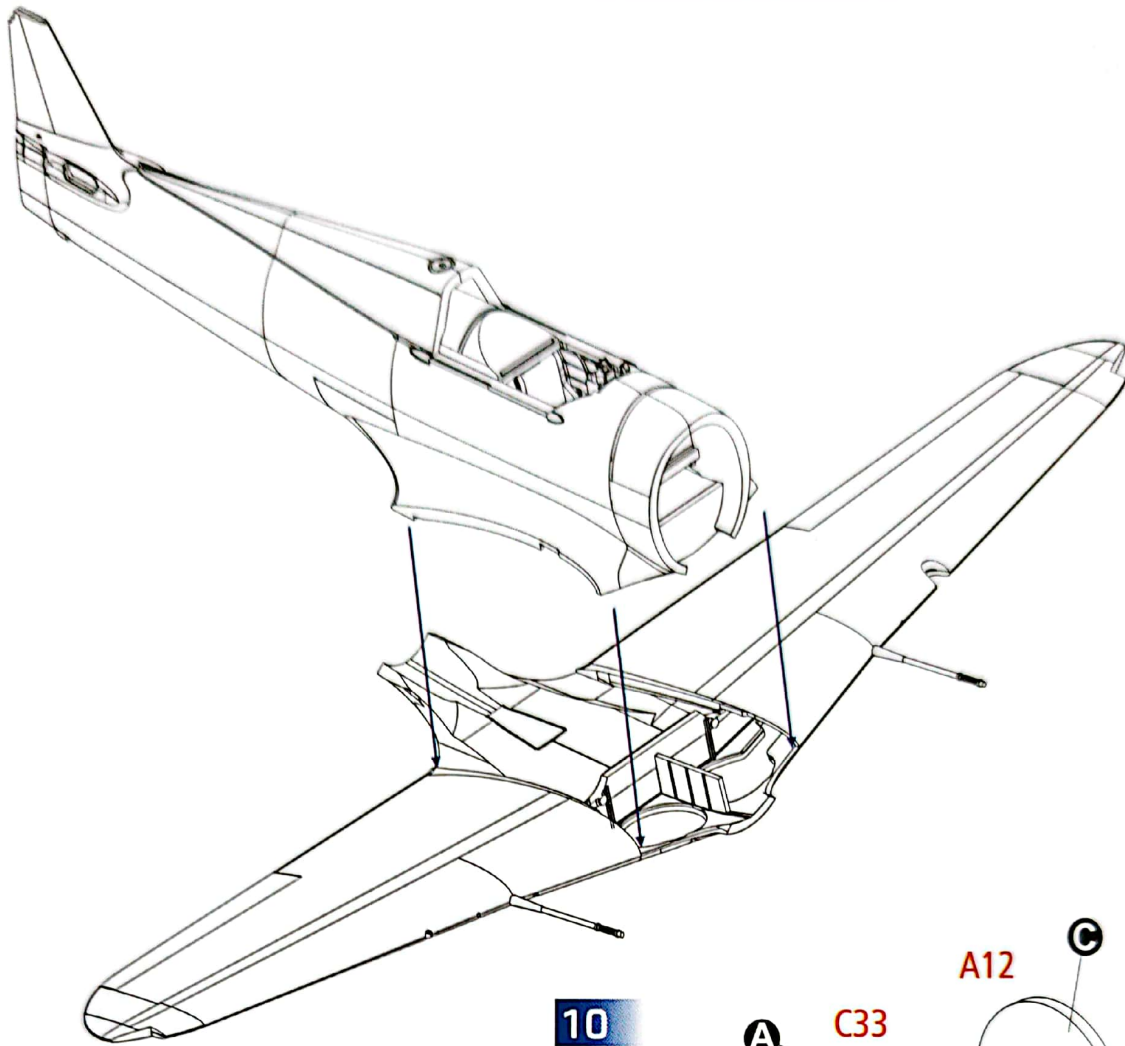
7



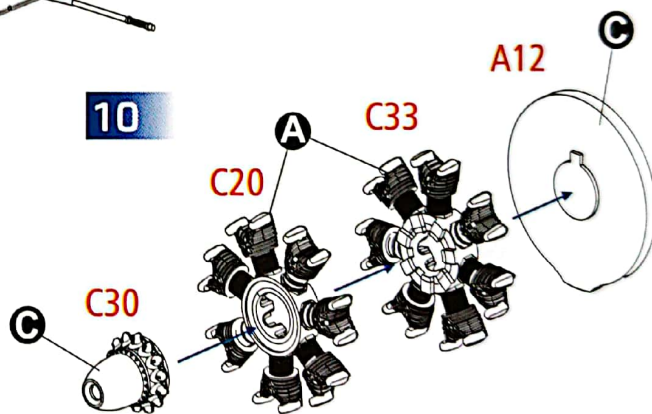
8



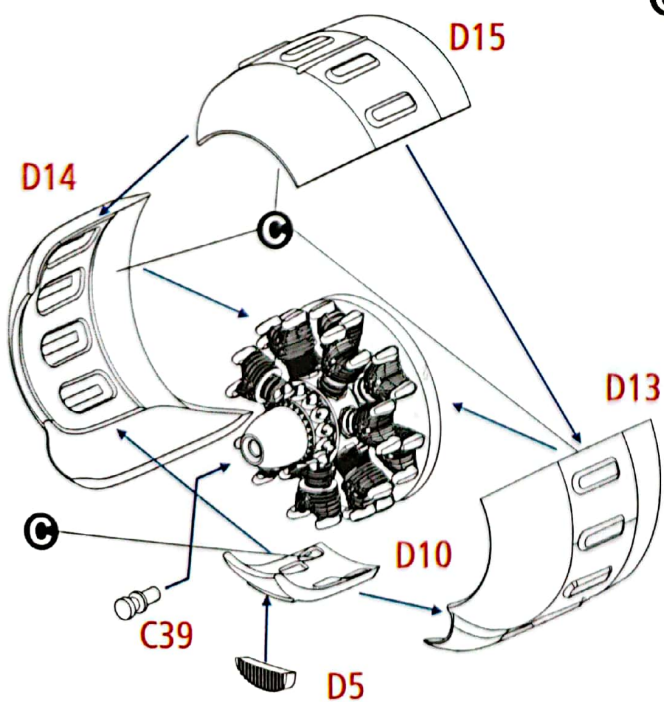
9



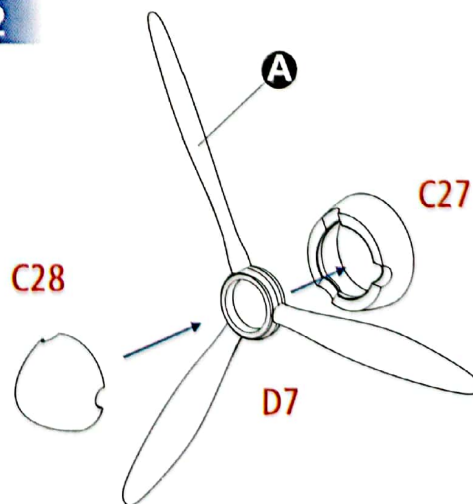
10



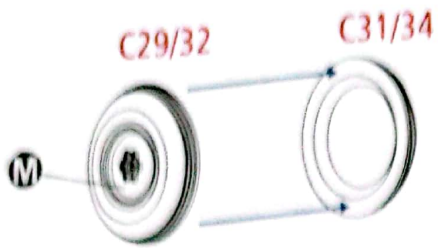
11



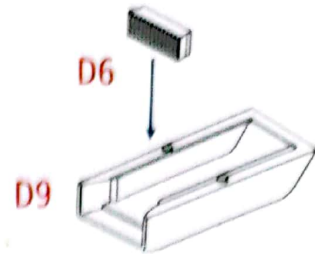
12



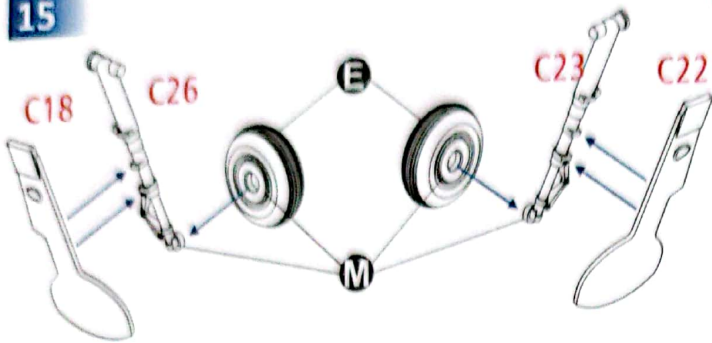
13



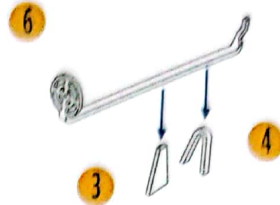
14



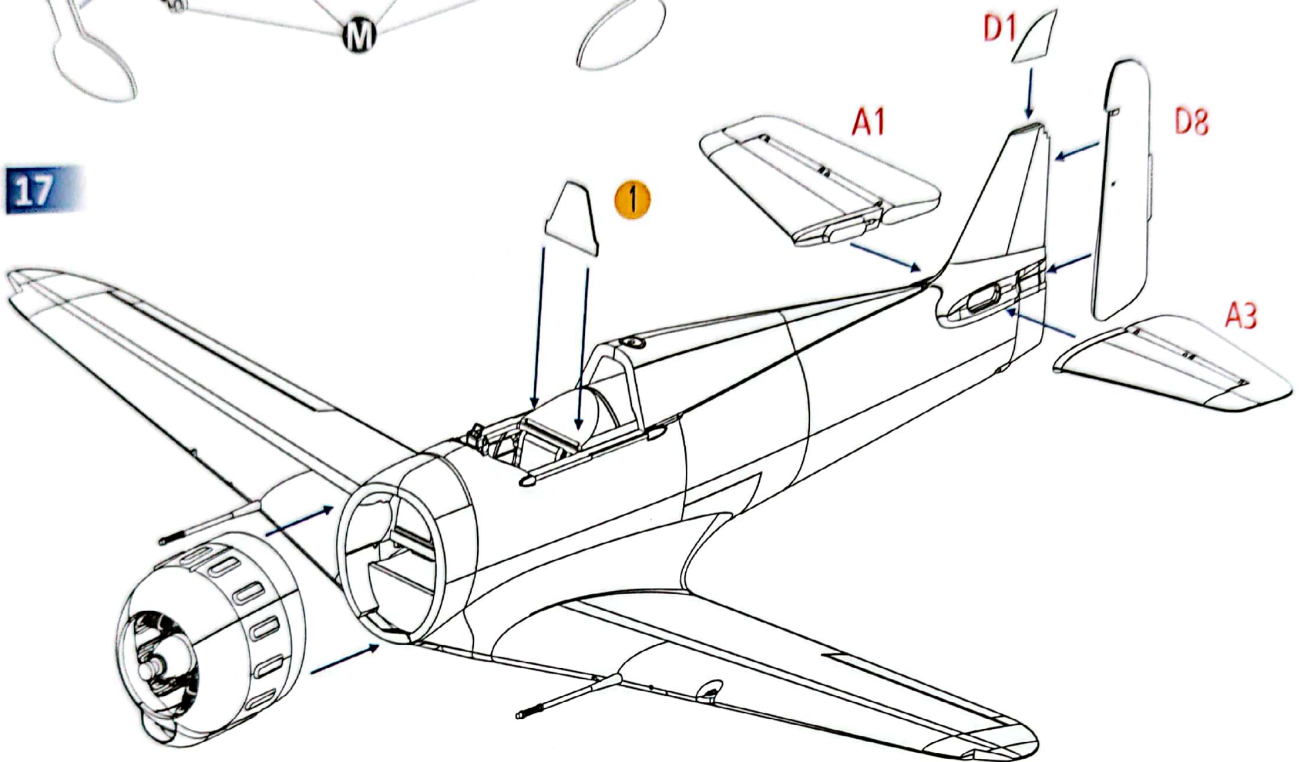
15



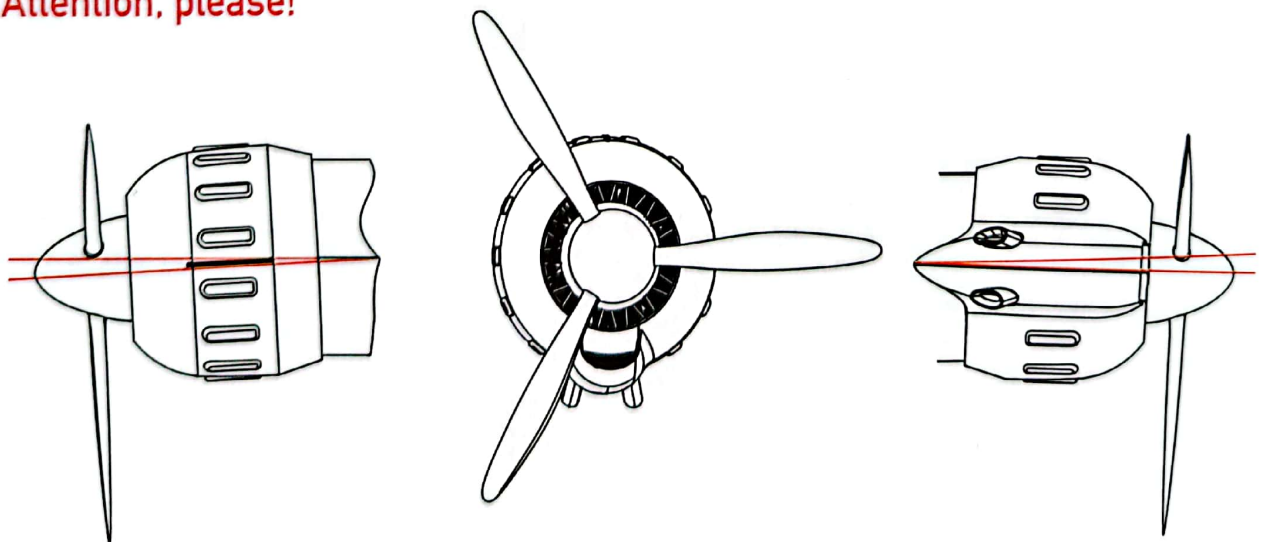
16



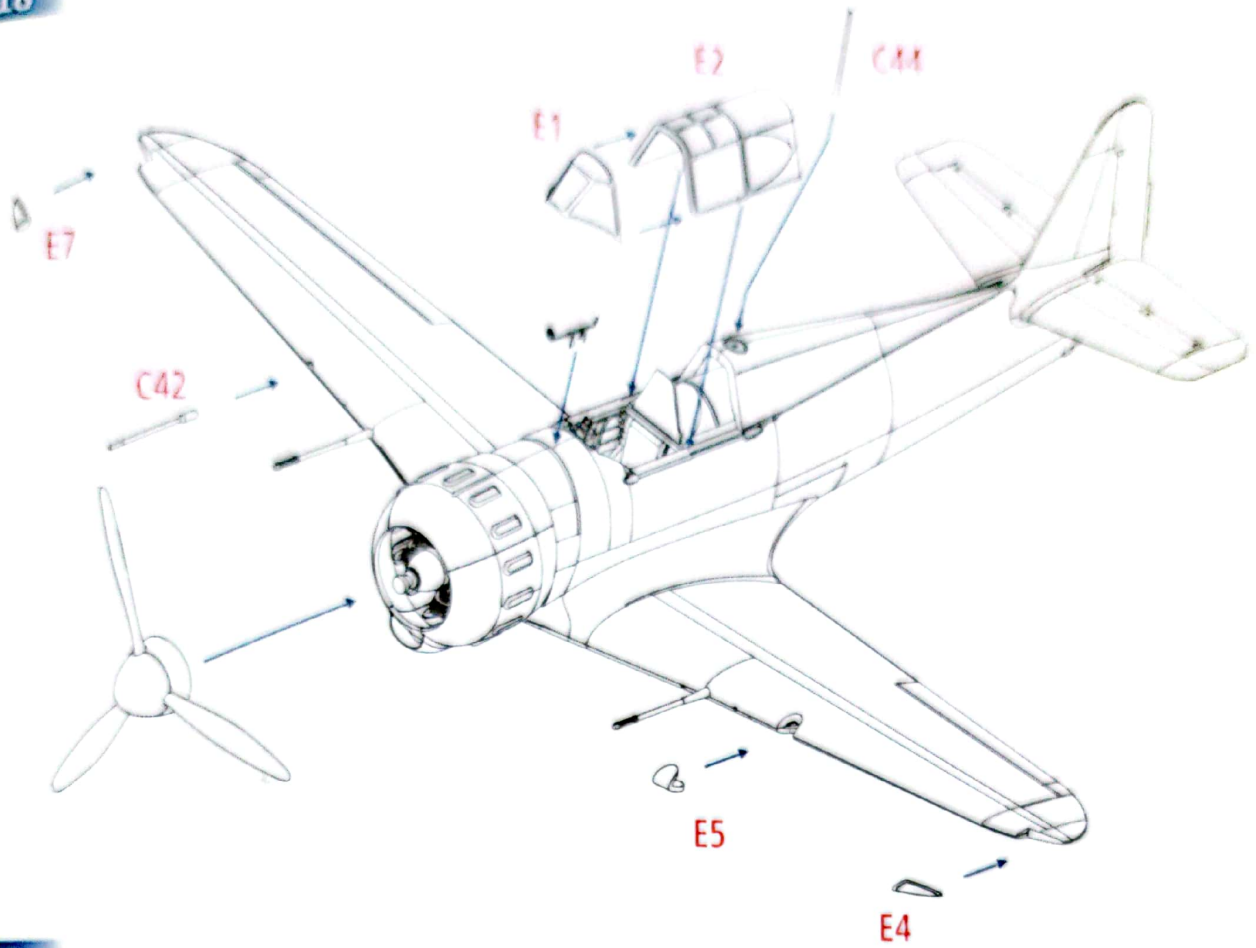
17



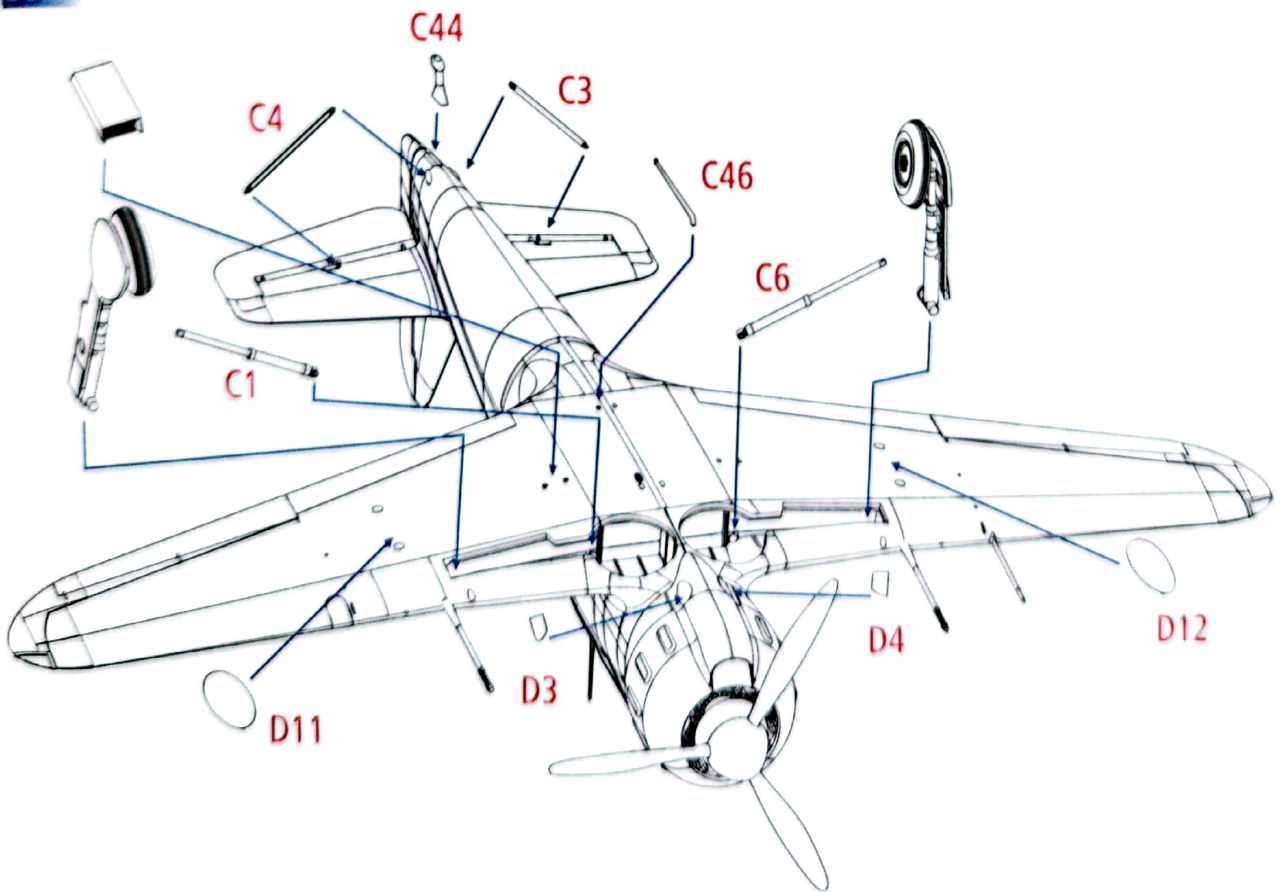
Attention, please!

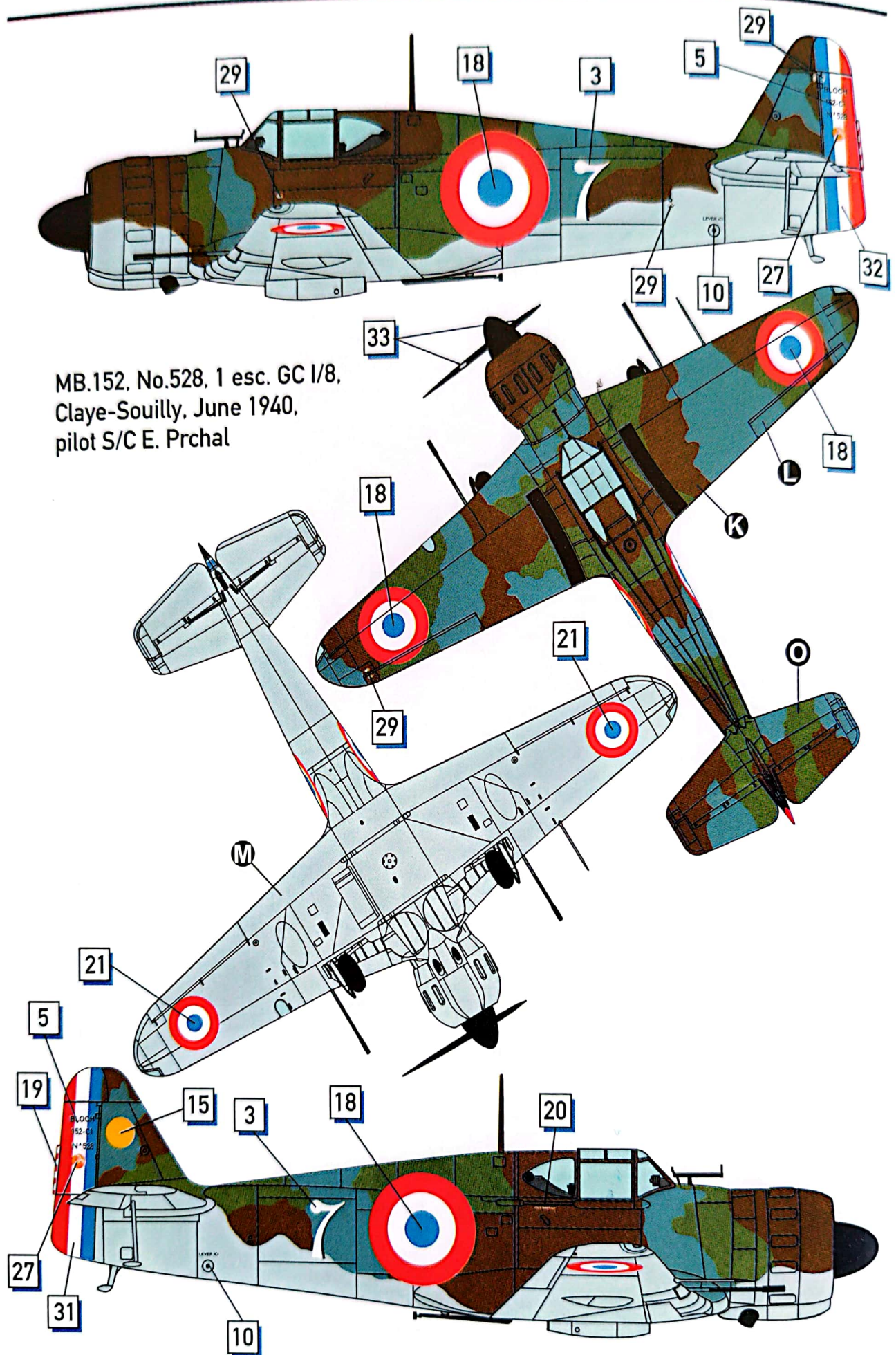


18



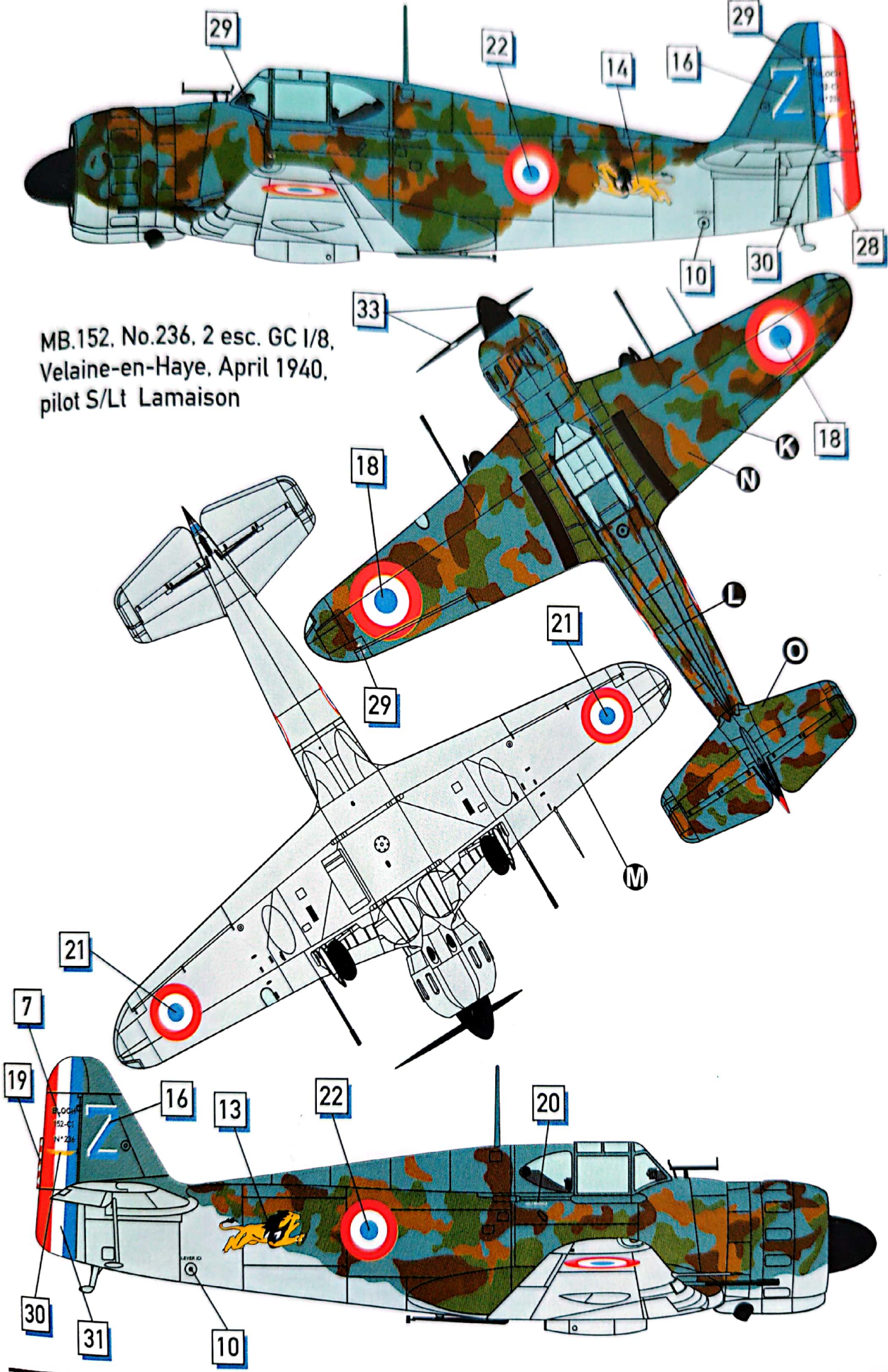
19



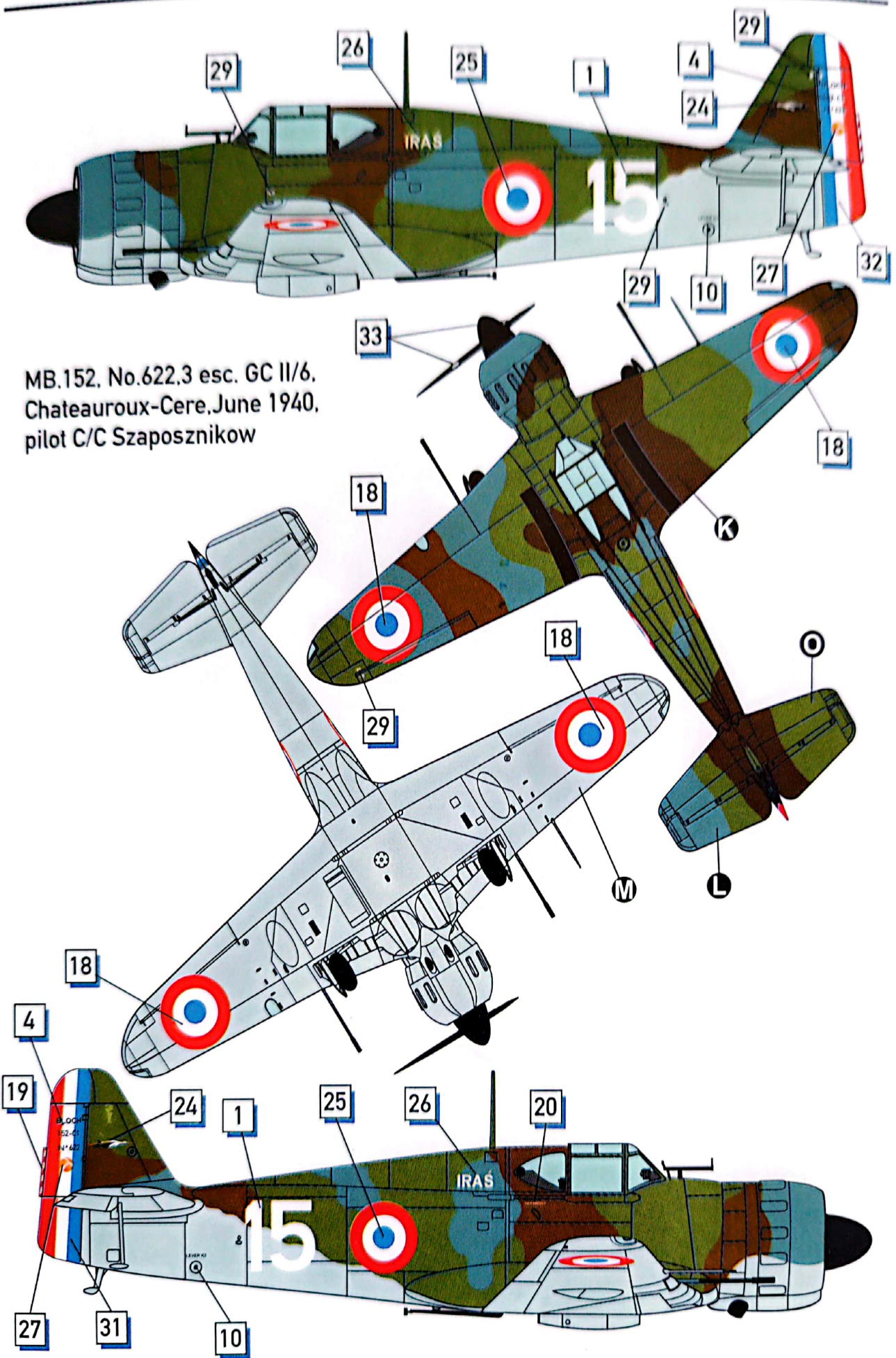


MB.152, No.528, 1 esc. GC I/8,
Claye-Souilly, June 1940,
pilot S/C E. Prchal

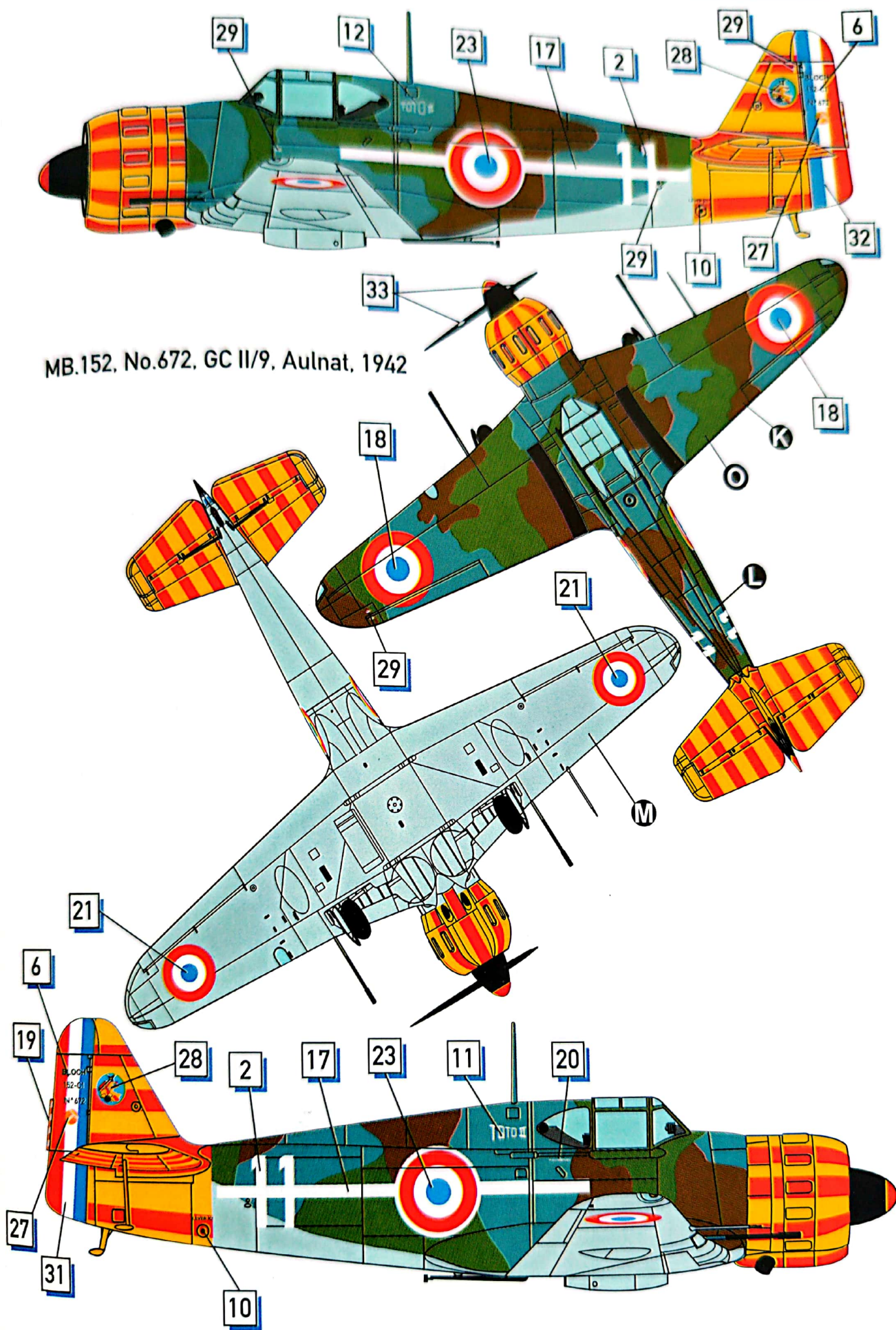
MB.152. No.236, 2 esc. GC I/8,
 Velaine-en-Haye, April 1940,
 pilot S/Lt Lamaison



Marcel-Bloch M.B.152C.1



MB.152. No.622.3 esc. GC II/6,
 Chateauroux-Cere, June 1940,
 pilot C/C Szaposznikow



MB.152, No.672, GC II/9, Aulnat, 1942

COLOR TABLE

Color Chart	MR. HOBBY	Tamiya	AMMO MIG	Hataka	LIFECOLOR
Black	A C33/H12	XF-1	MIG 046	HTK 100	LC 02
Silver	B C8/H8	X-32	MIG 195	HTK B003	LC 74
Aluminium	C MC 218	XF-16	MIG 194	HTK 078	LC 24
Gun Metal	D C78/H28	X-10	MIG 045	HTK 106	LC 26
Rubber Black	E C137/H77	XF-85	MIG 035		UA 733
Tan	F C44/H27	XF-55	MIG 202	HTK 187	LC 15
Clear Red	G C47/H90	XF-27	MIG 093		
Clear Green	H C138/H94	XF-25	MIG 092		
Burn Iron	I C61/H76	XF-25	MIG 187		LC 37
Signal Red	J C79/H11	XF-2	MIG 049	HTK-103	LC 56
Brun Fonce	K H84/H17 (50:50)	XF-52+ XF-10+XF-2 (5:5:1)		C 079	UA 143
Gris Bleu Fonce	L H56/H11 (50:50)	XF-53+ XF-2 (5:2)		C 082	UA 141
Gris Bleu Clair	M H67/H11 (50:50)	XF-23+ XF-2 (5:2)		C 083	UA 145
Terre de Sienne	N H318/H11(50:50)	XF-59+ XF-52 (6:1)		C 081	UA 144
Vert Fonce	O H73	XF-71+ XF-4 (5:1)		C 080	UA 146
Khaki Francais	P H80/H11(70:30)	XF-49+ XF-2 (5:2)		C 084	UA 142
Bleu Nuit Interieur	Q C366/H56	XF-18	MIG 228	HTK 027	UA 45

USED SYMBOLS



CEMENT



DON'T CEMENT



REMOVE



SYMMETRICAL



MULTIPLE



BEND



OPEN WHOLE



VARIANTS



TO PAINT