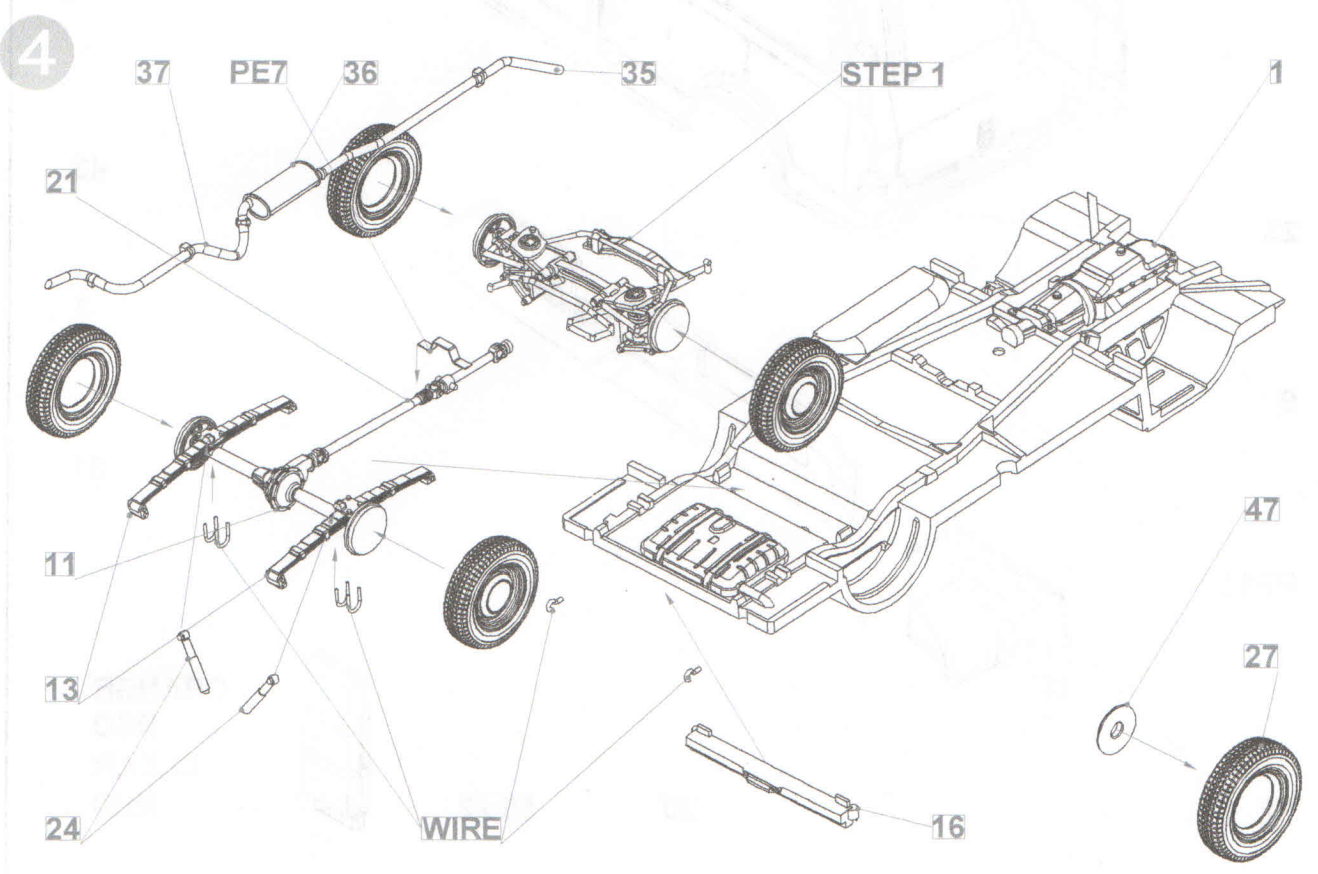
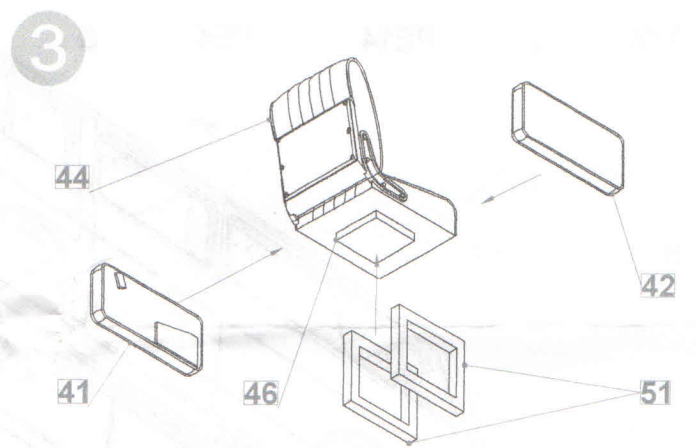
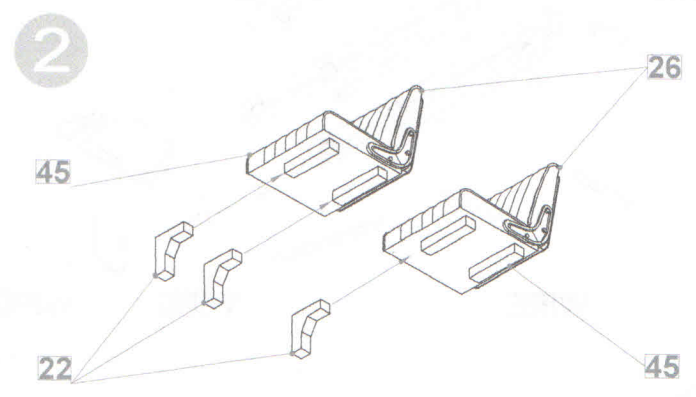
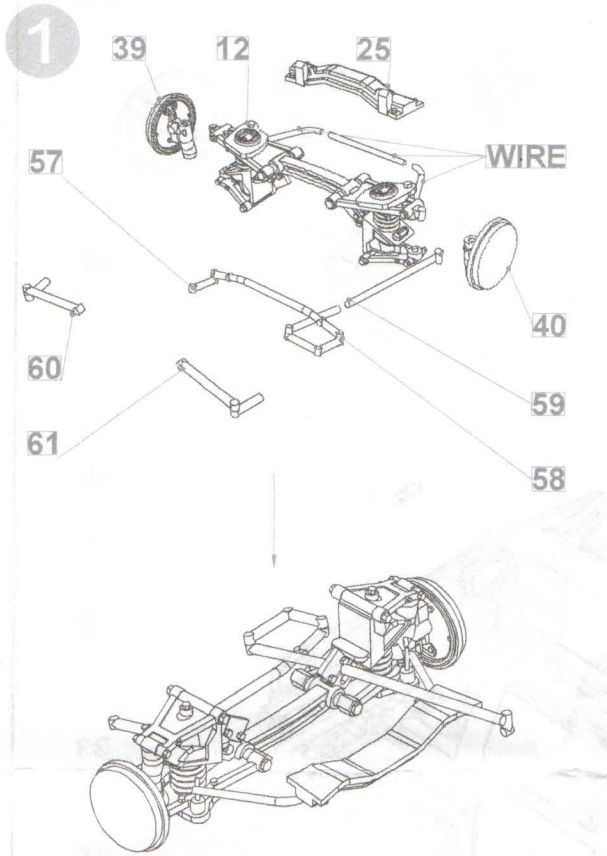


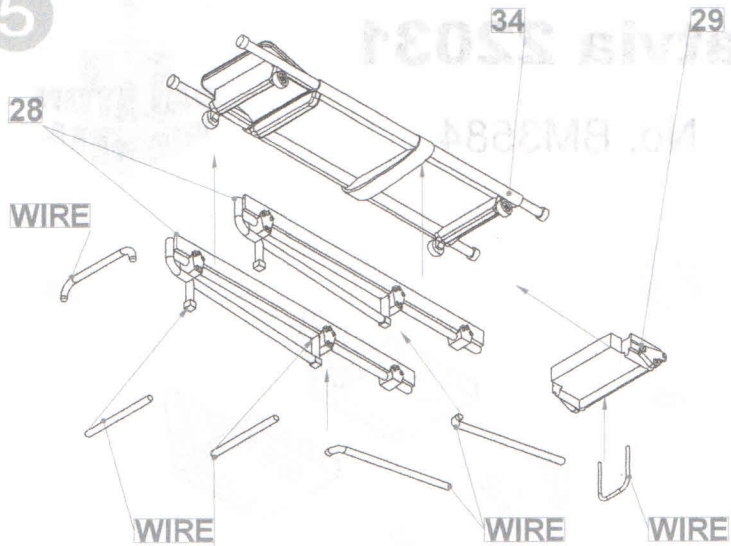


# RAF Latvia 22031

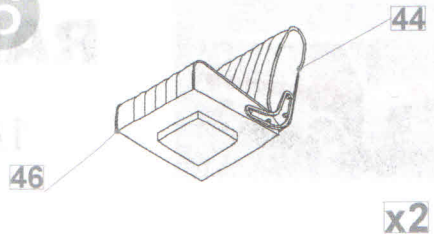
1/35 No. BM3584



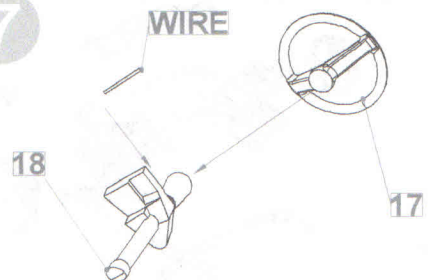
5



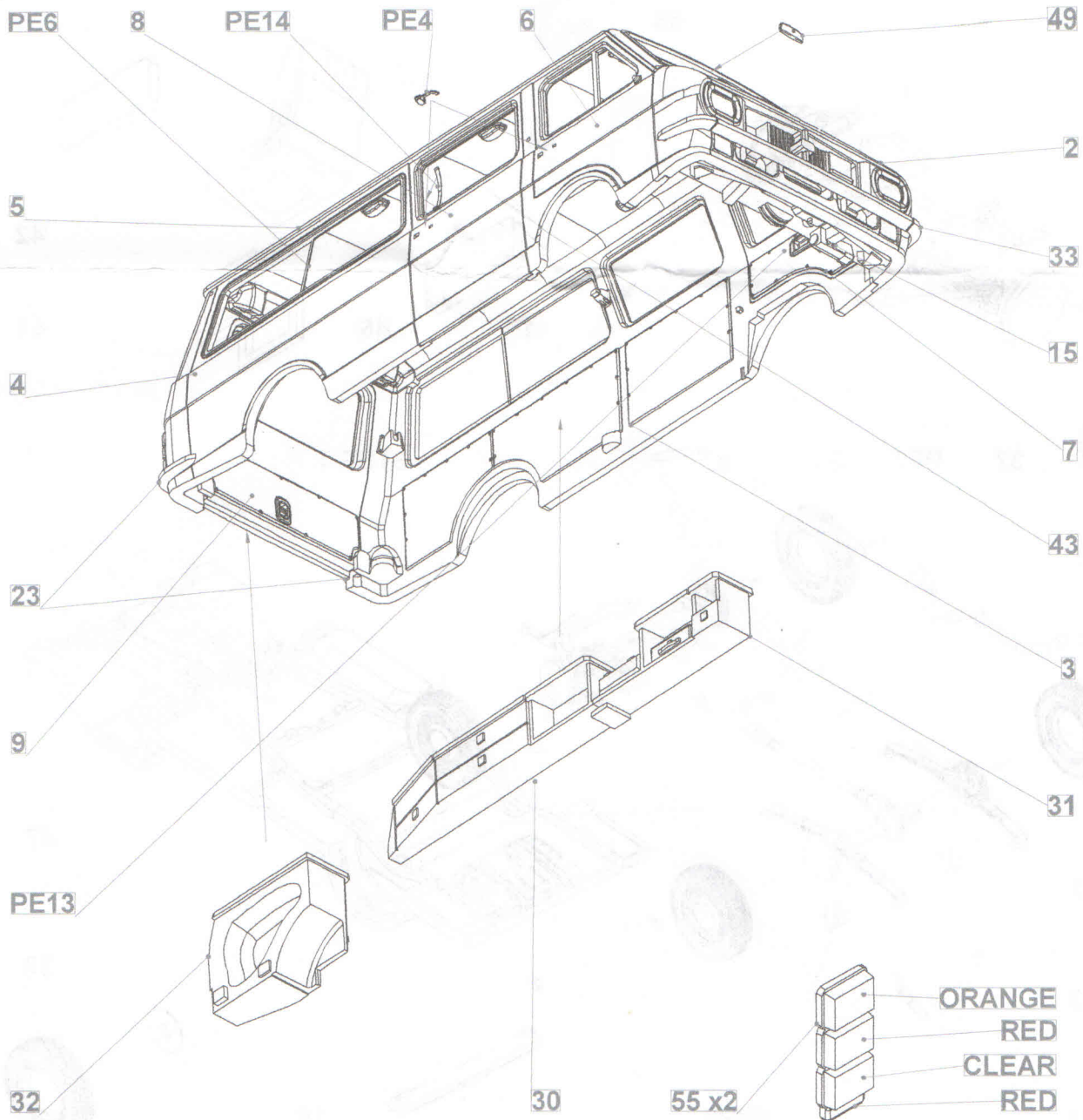
6



7

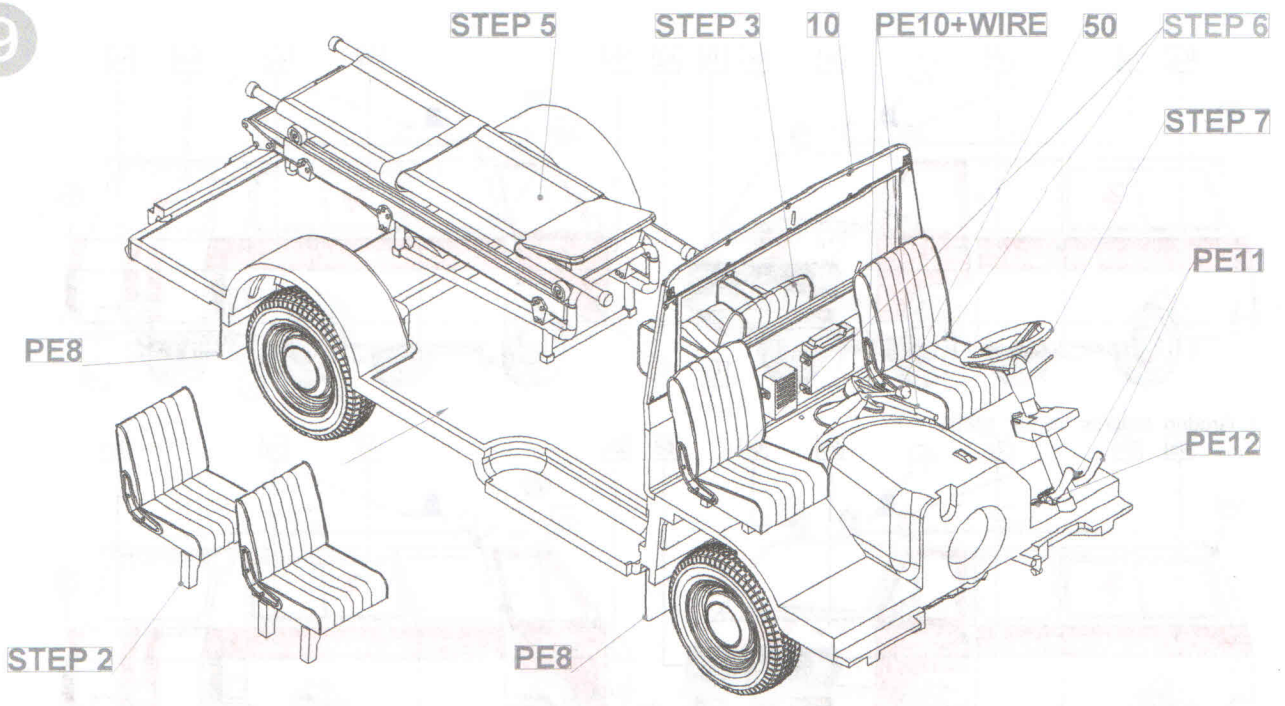


8

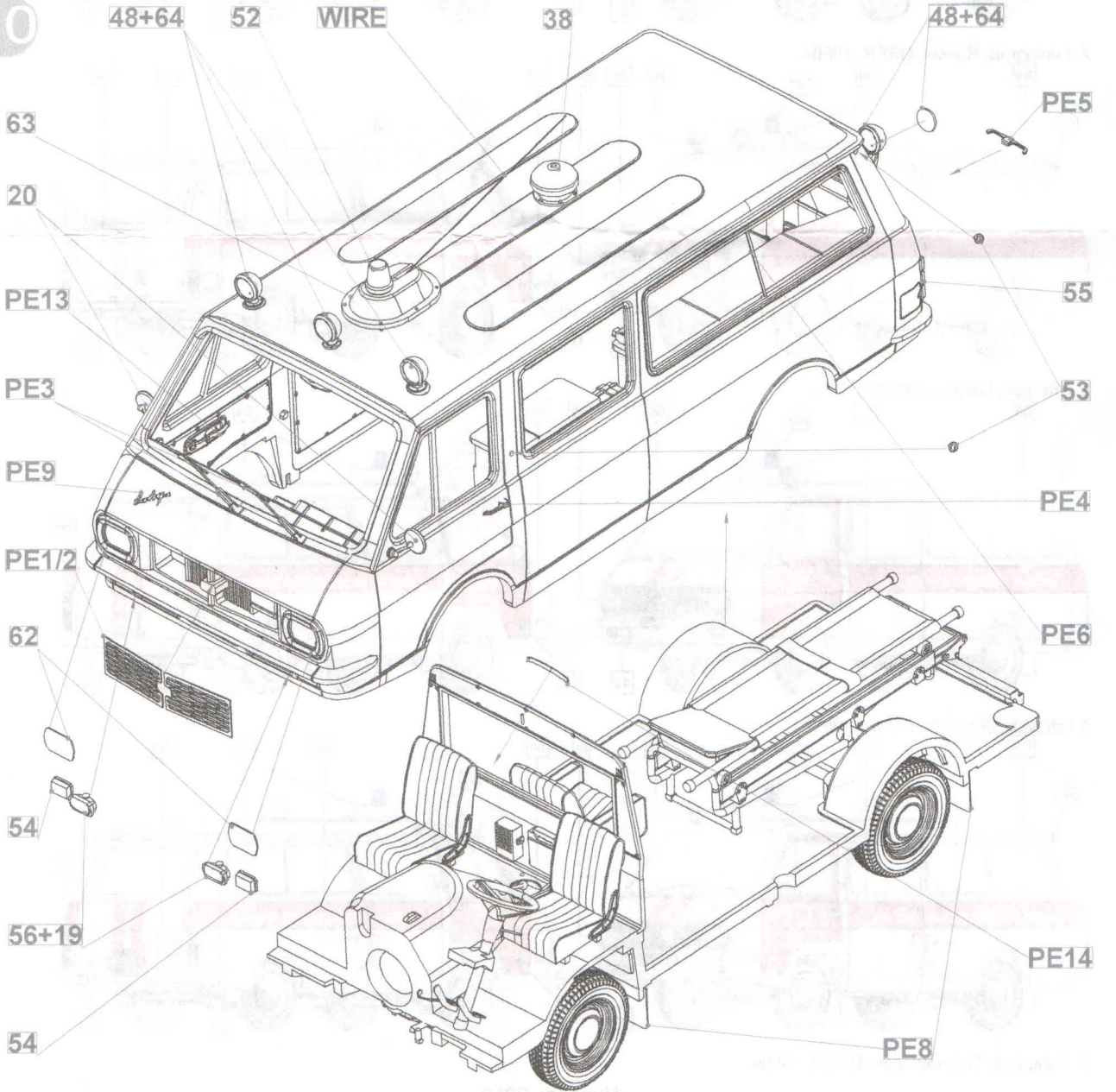




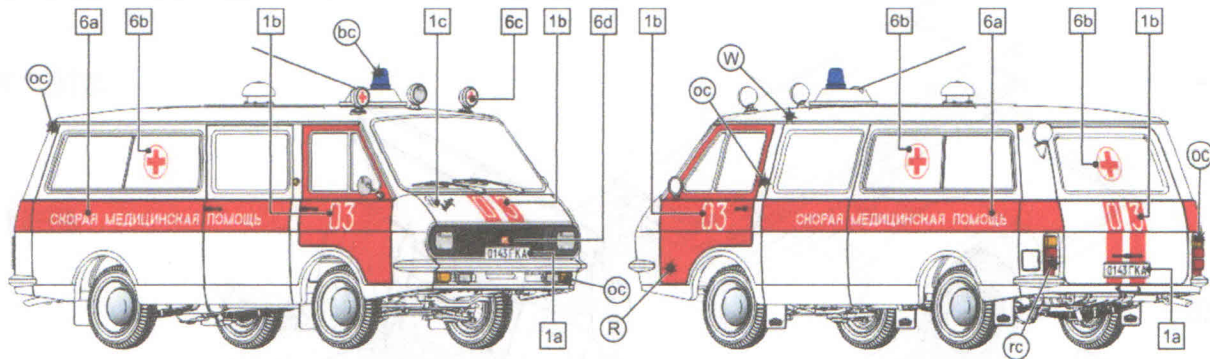
9



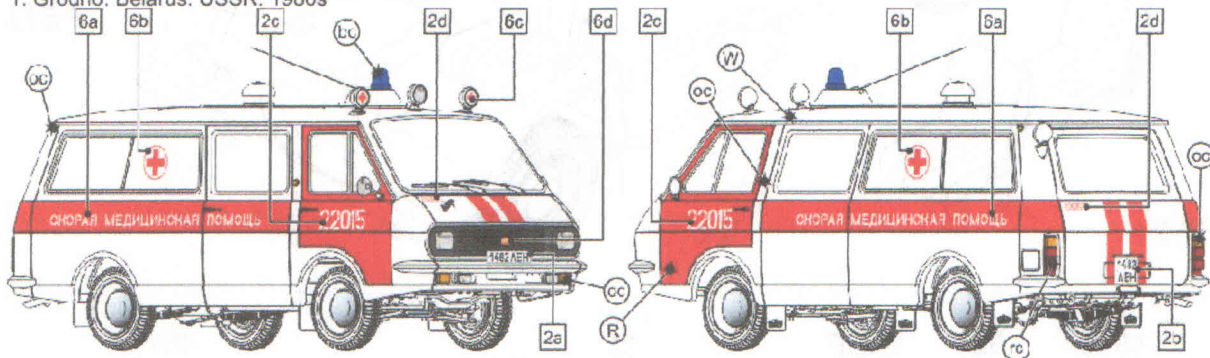
10



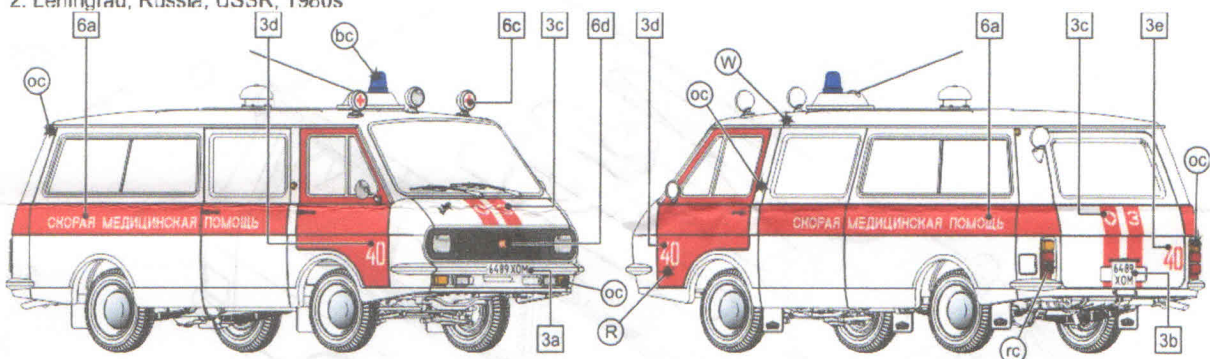




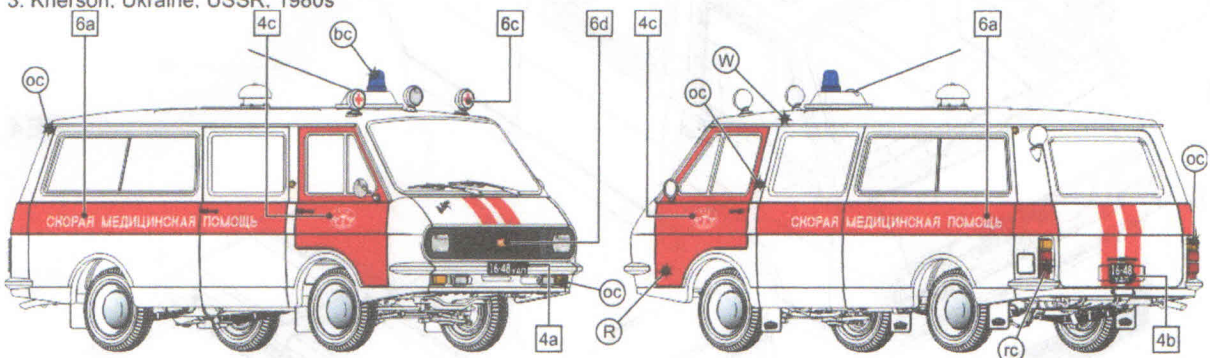
1. Grodno, Belarus, USSR, 1980s



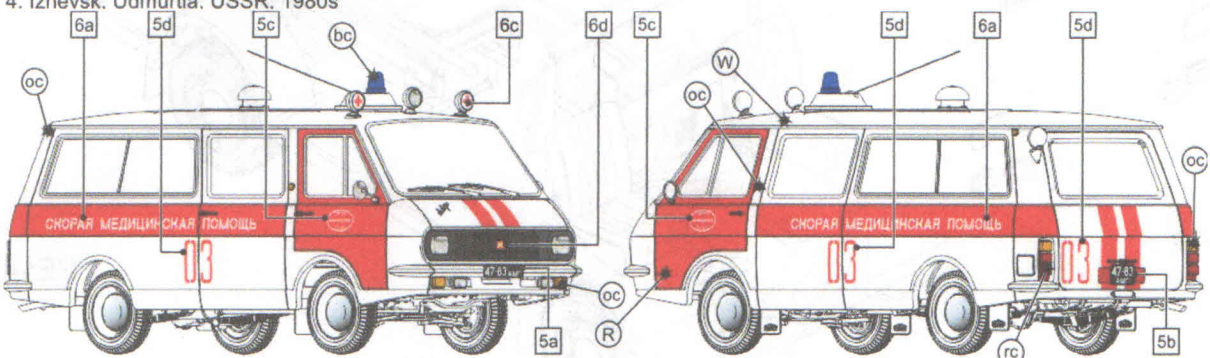
2. Leningrad, Russia, USSR, 1960s



3. Kherson, Ukraine, USSR, 1980s



4. Izhevsk, Udmurtia, USSR, 1980s



5. Ashqabat, Turkmenistan, USSR, 1980s