

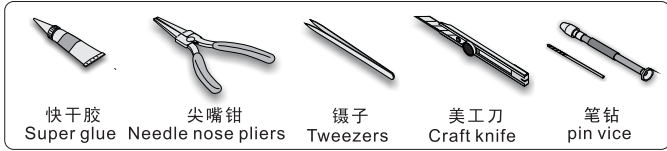
1/35 MILITARY MINIATURE VEHICLE UPGRADE SERIES PE35370

# Modern U.S.M.C. M50A1 ONTOS

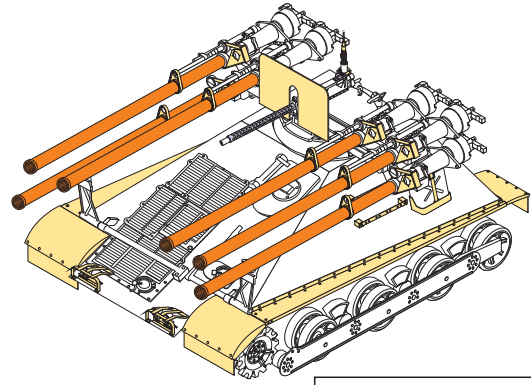
## 现代美国M50A1 自行无后座力炮

[For ACADMY 13218]

### 推荐使用工具 RECOMMENDED TOOLS



快干胶 Super glue    尖嘴钳 Needle nose pliers    镊子 Tweezers    美工刀 Craft knife    笔钻 pin vice

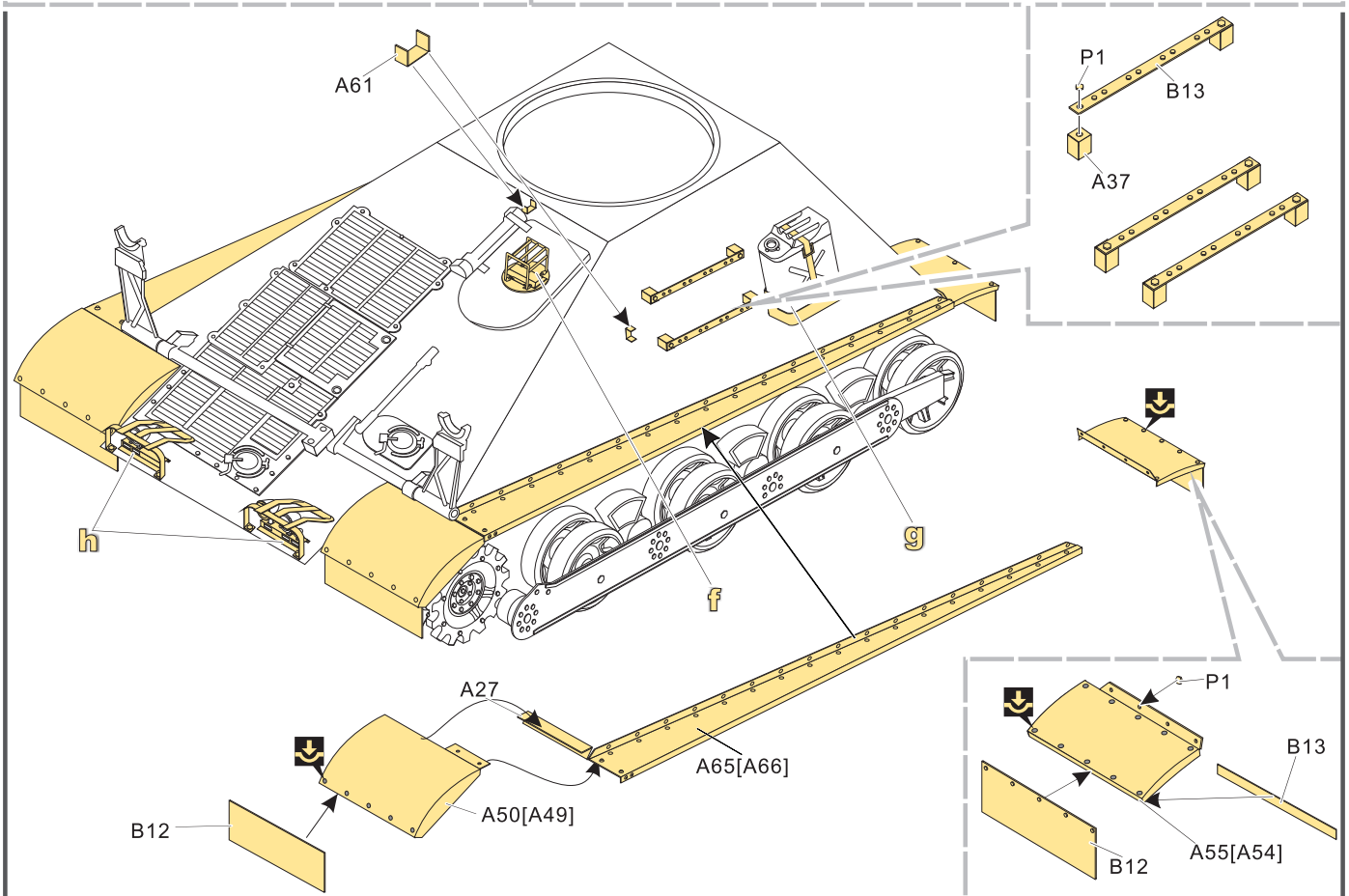
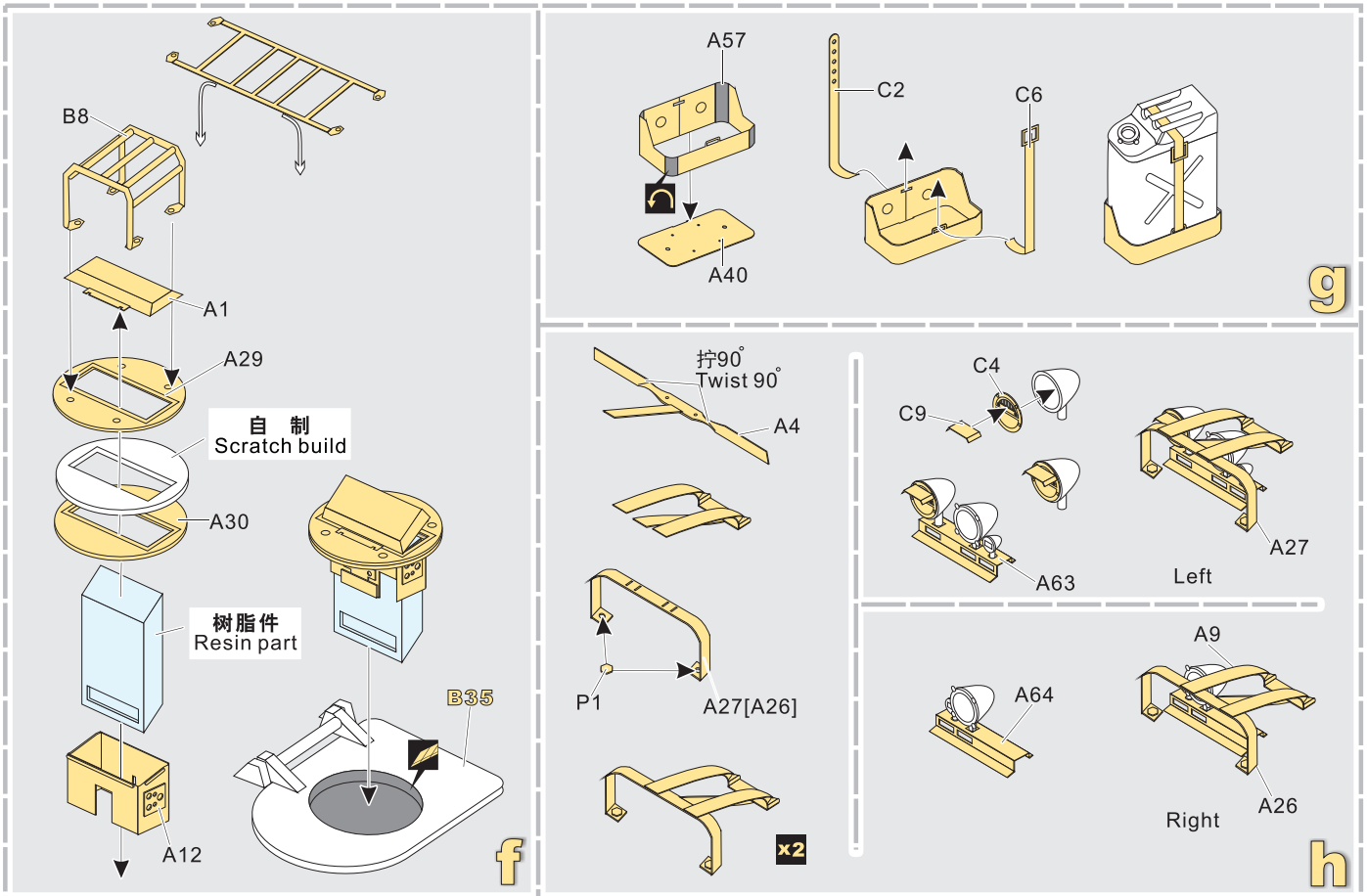


- 安装  
install
- 折叠  
bend
- A1**  
改造件零件编号  
PE/resin part number
- B12**  
原零件编号  
kit part number
- C22**  
被替换的原零件编号  
replaced kit part number
- 另一侧相同制作  
repeat on opposite side
- 切除  
remove
- 打磨  
grind off
- 弧度卷曲  
radial bending
- x2**  
制作若干组  
multiple assembly
- 选择安装  
alternative
- 用铜管制作  
make from brass tube
- 用胶棒制作  
make from plastic rod

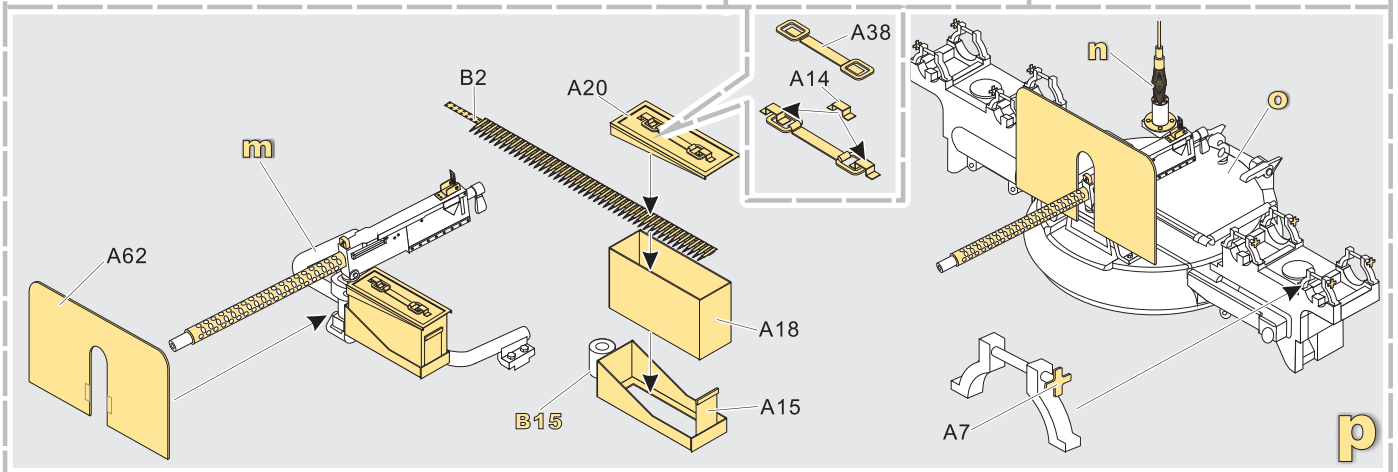
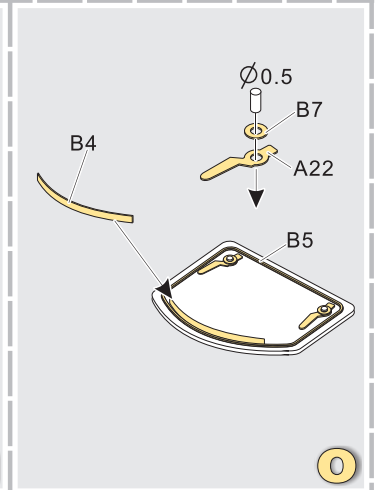
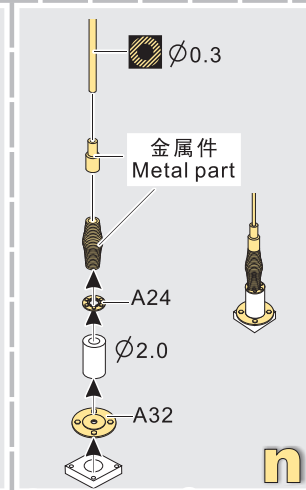
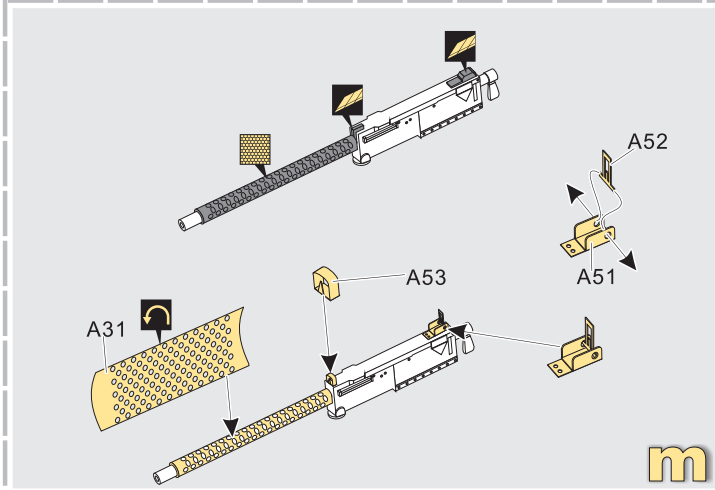
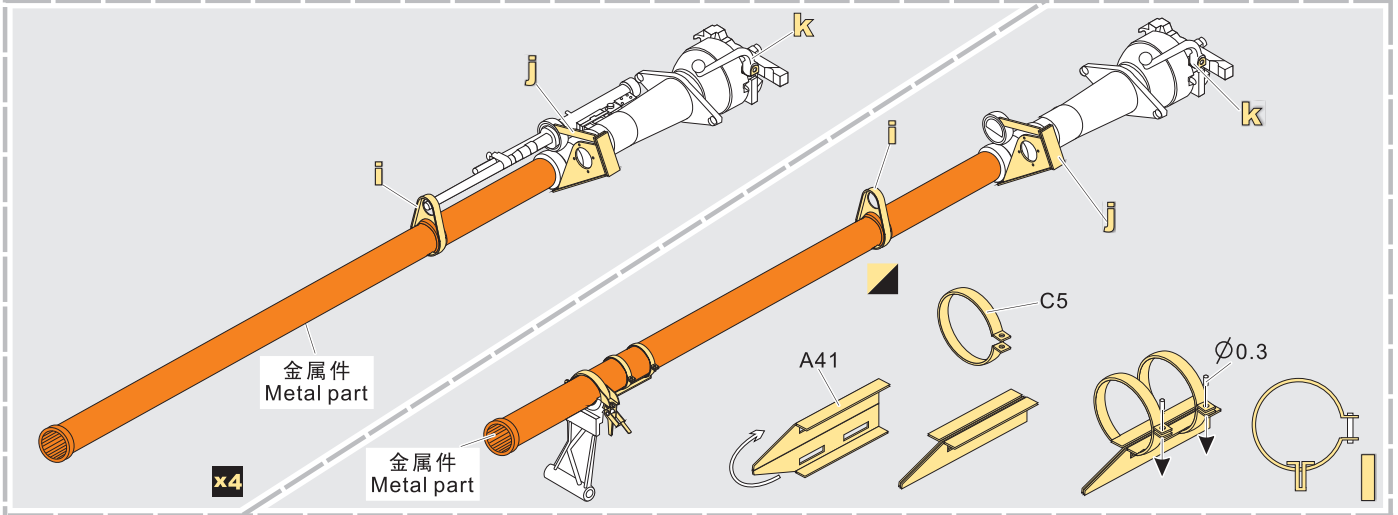
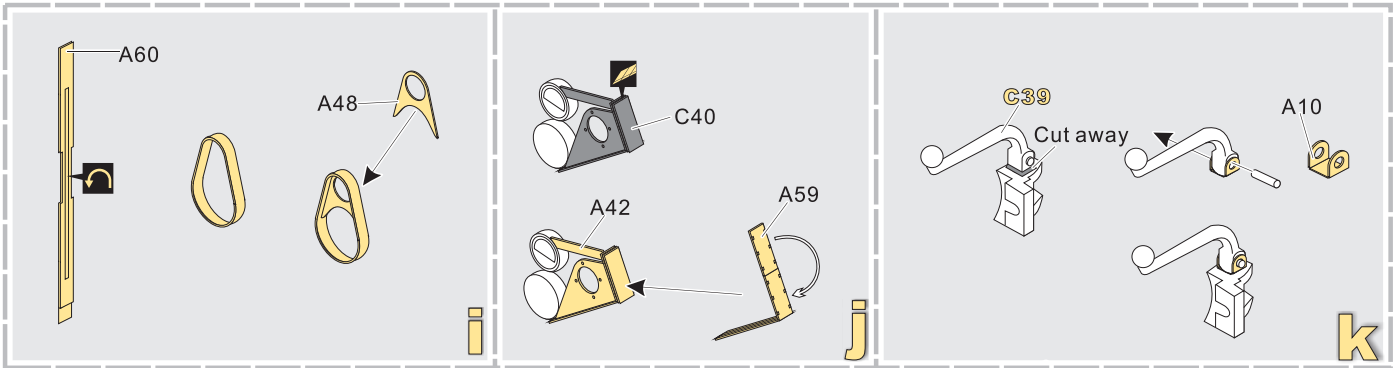
用尖端在凹槽处冲压  
use penpoint to press on the dent

蚀刻片零件内面向上  
Put the part upside down  
用笔尖在凹槽处到  
Use penpoint to press on the dent

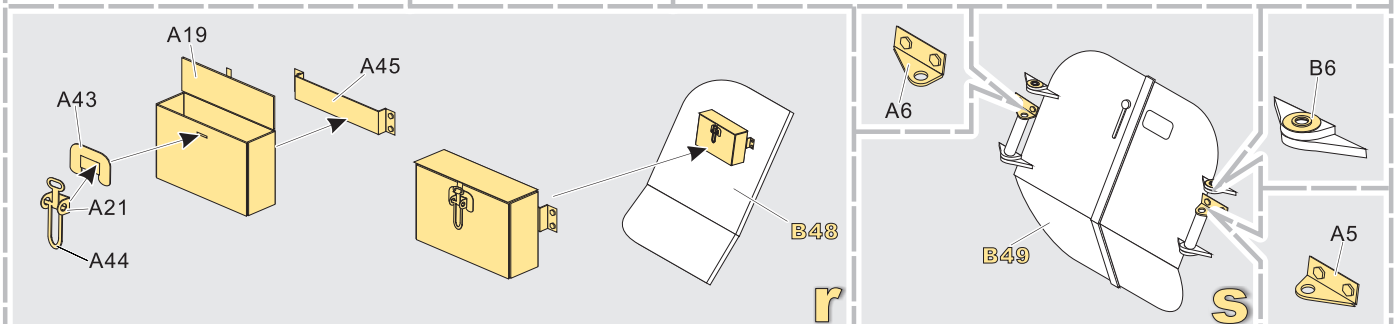
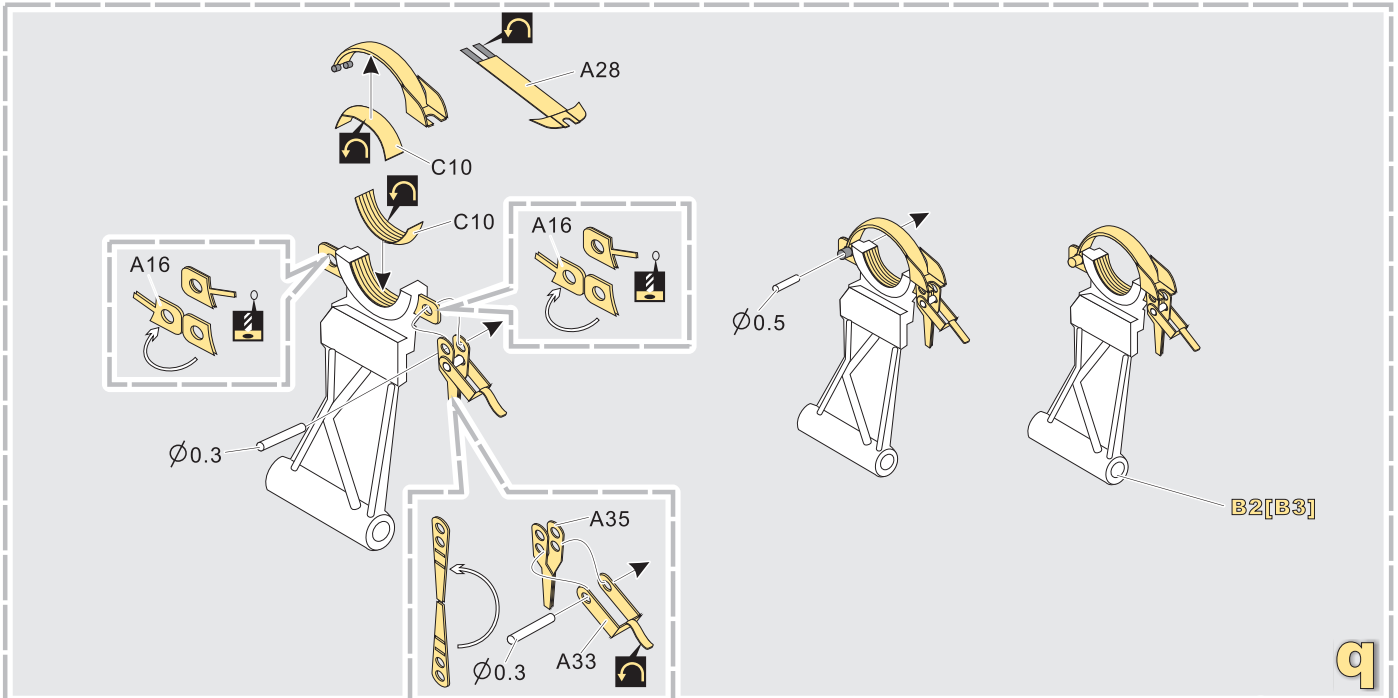
1/35 MILITARY MINIATURE VEHICLE UPGRADE SERIES PE35370



1/35 MILITARY MINIATURE VEHICLE UPGRADE SERIES PE35370

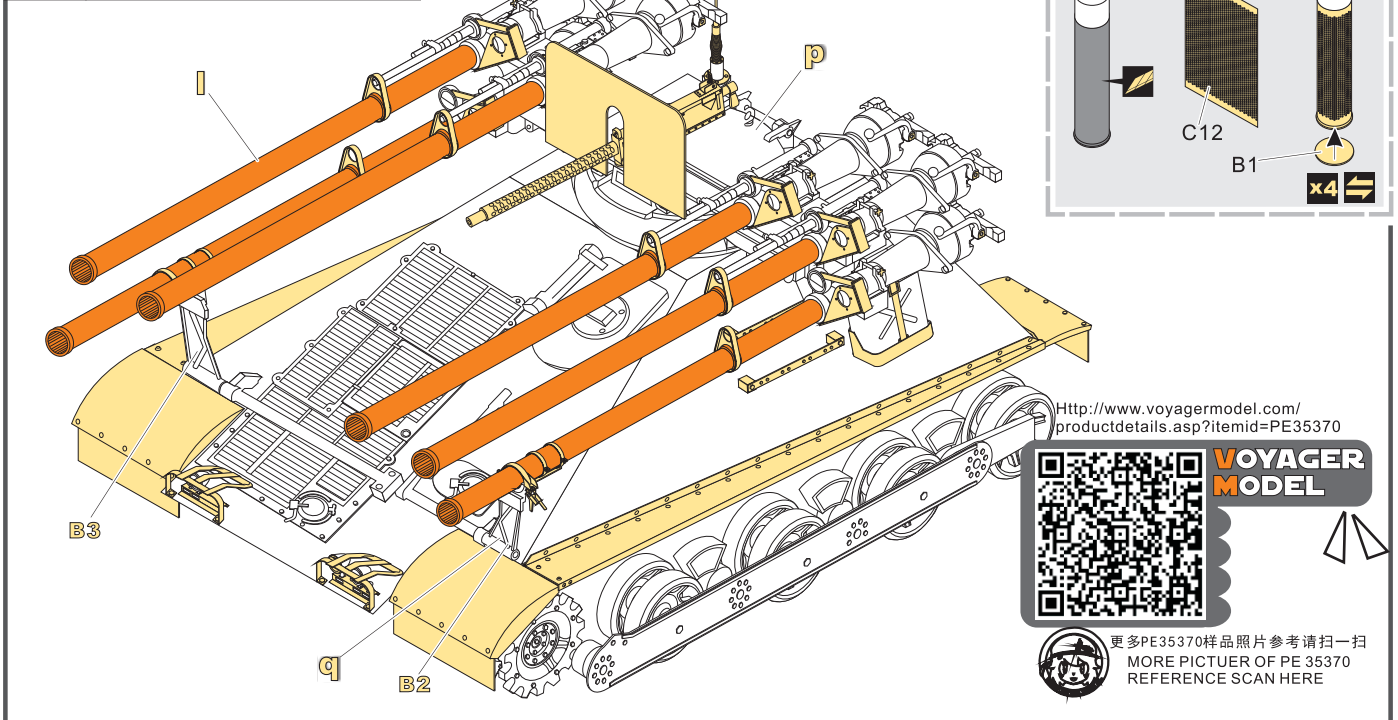


1/35 MILITARY MINIATURE VEHICLE UPGRADE SERIES PE35370



**VOYAGERMODEL®** 无缝不歪 极尽享受  
The Best Upgrade Solution

Recommended item	
VBS0152	Modern US M40A1 106mm Barrel (1 purchase)
VBS0153	Modern US M40A1 106mm Barrel (6 purchase)



<http://www.voyagermodel.com/productdetails.asp?itemid=PE35370>



**VOYAGER MODEL**



更多PE35370样品照片参考请扫一扫  
MORE PICTUER OF PE 35370  
REFERENCE SCAN HERE