

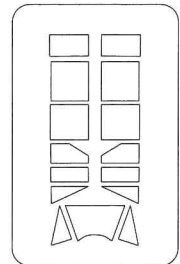
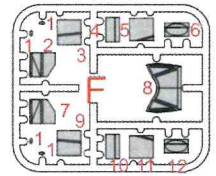
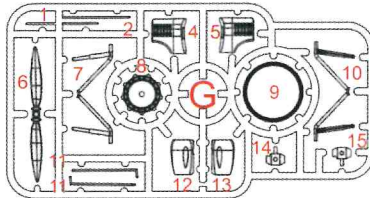
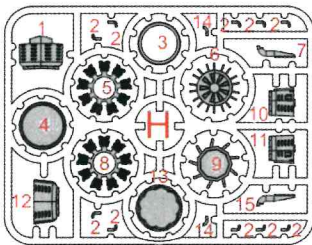
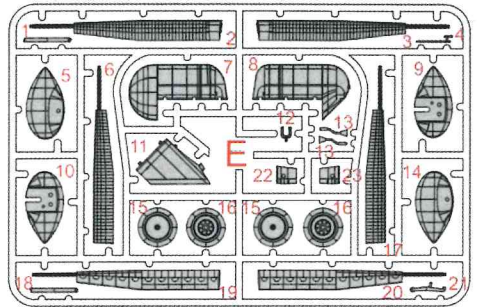
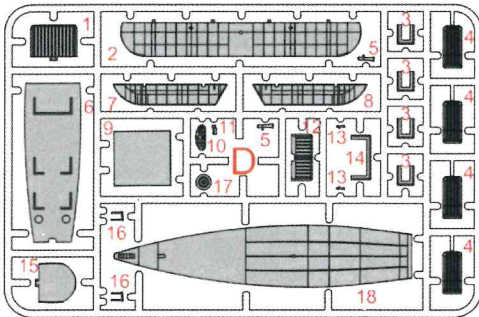
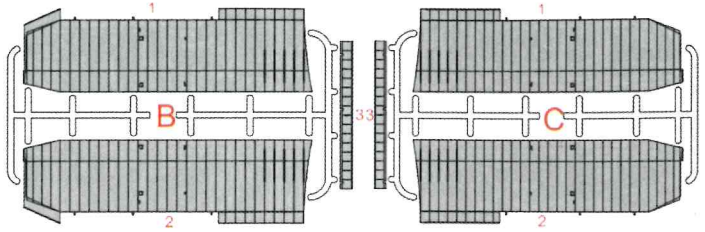
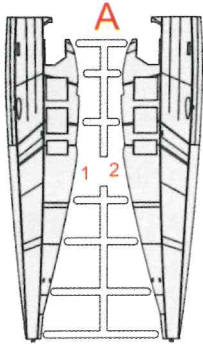
1/48 SCALE MODEL CONSTRUCTION KIT



Bellanca CH-400

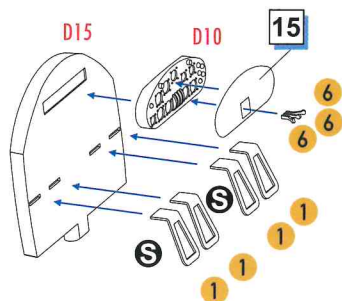
DW 48025

PARTS OF THE MODEL

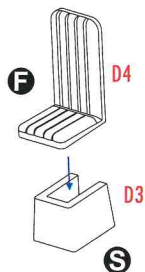


ASSEMBLY INSTRUCTION

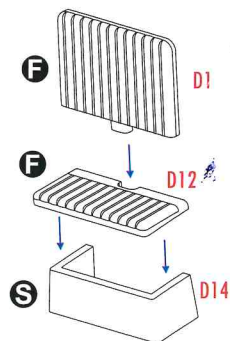
1



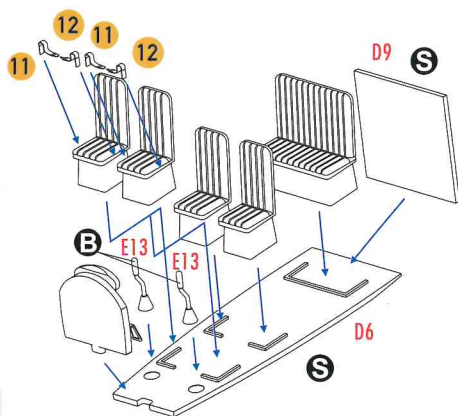
2



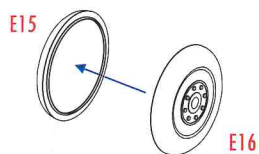
3



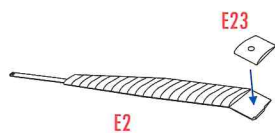
4



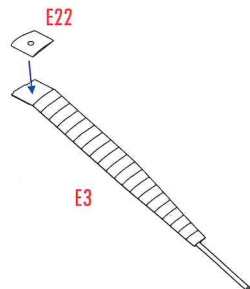
5



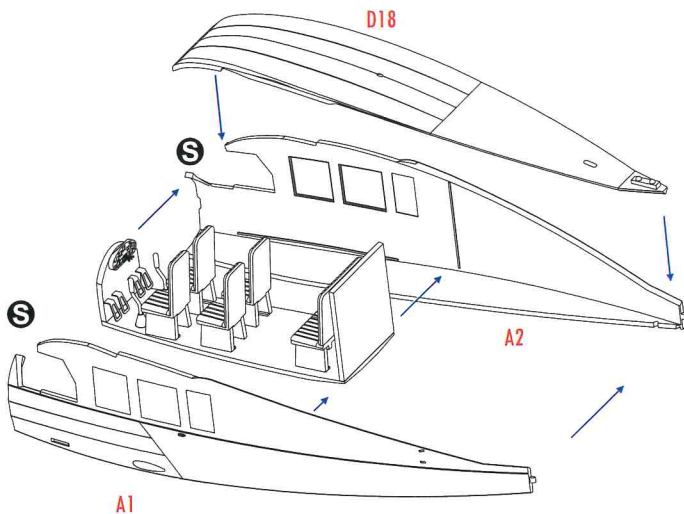
6



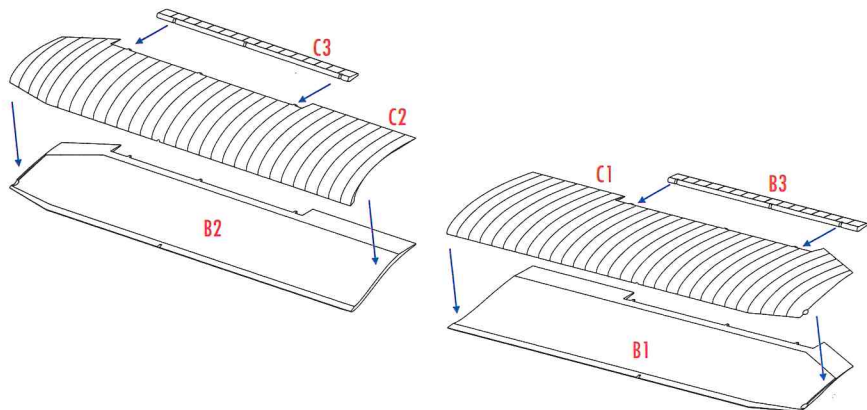
7



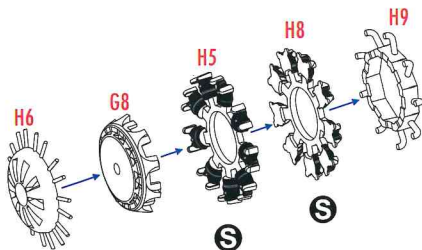
8



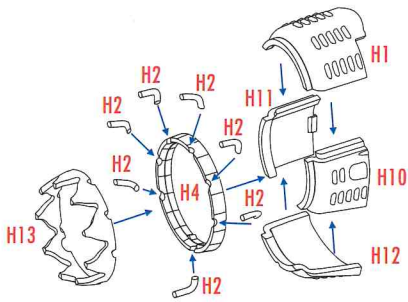
9



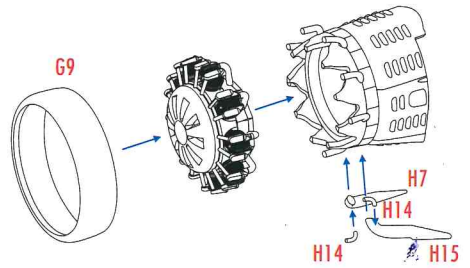
10



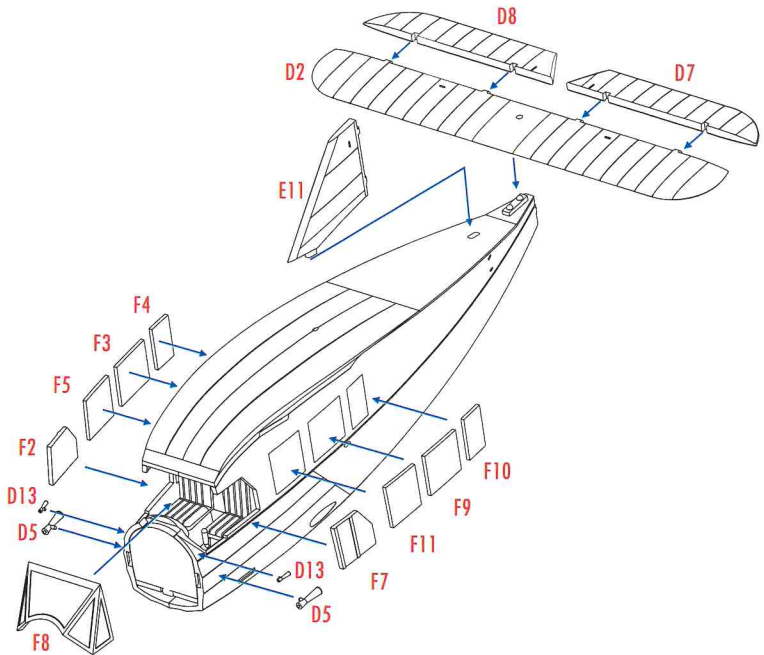
11

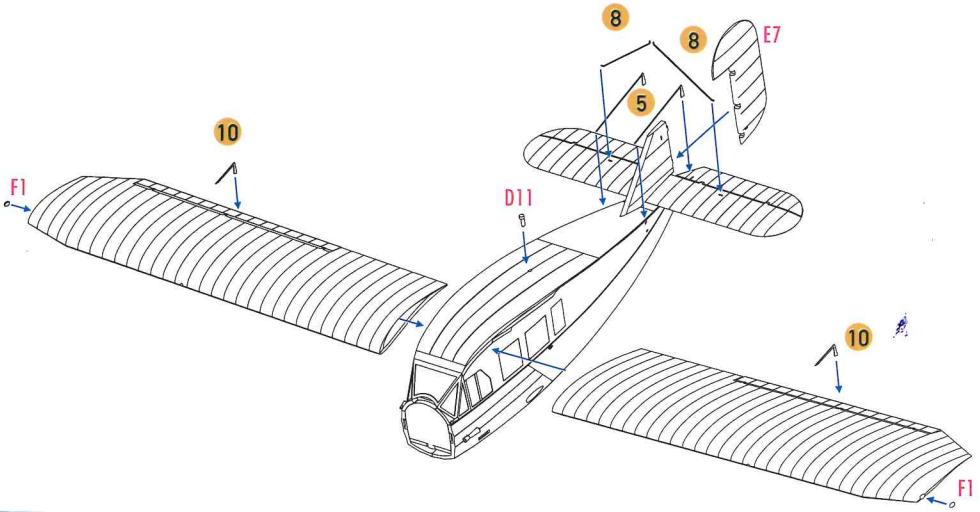


12

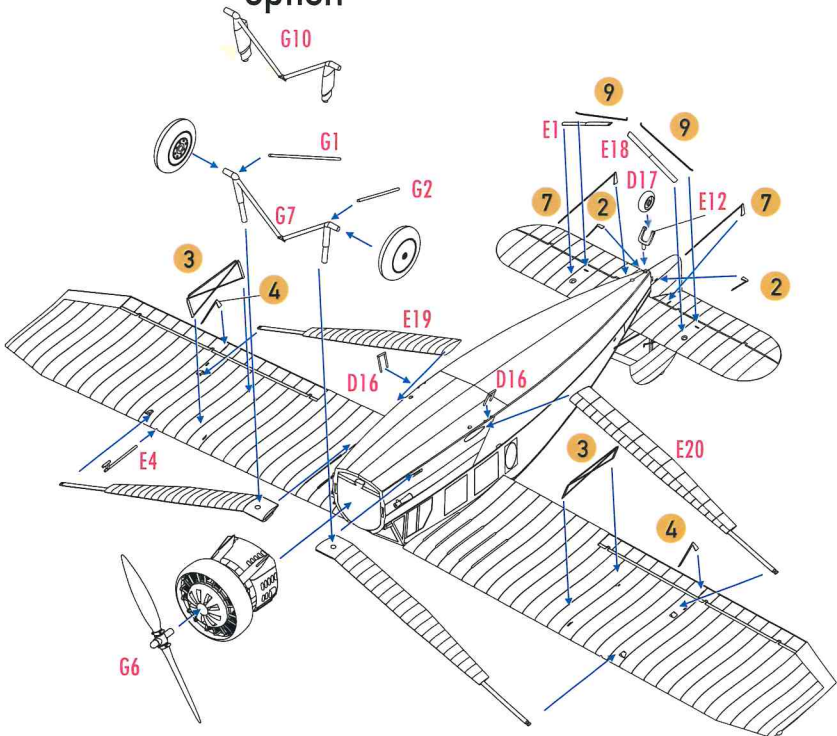


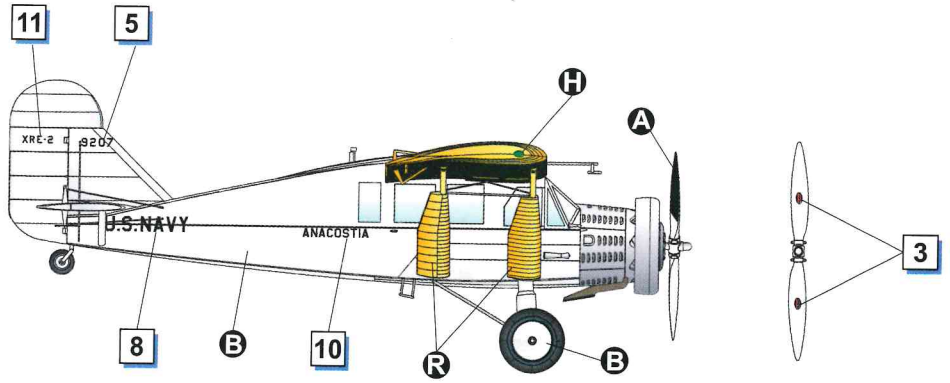
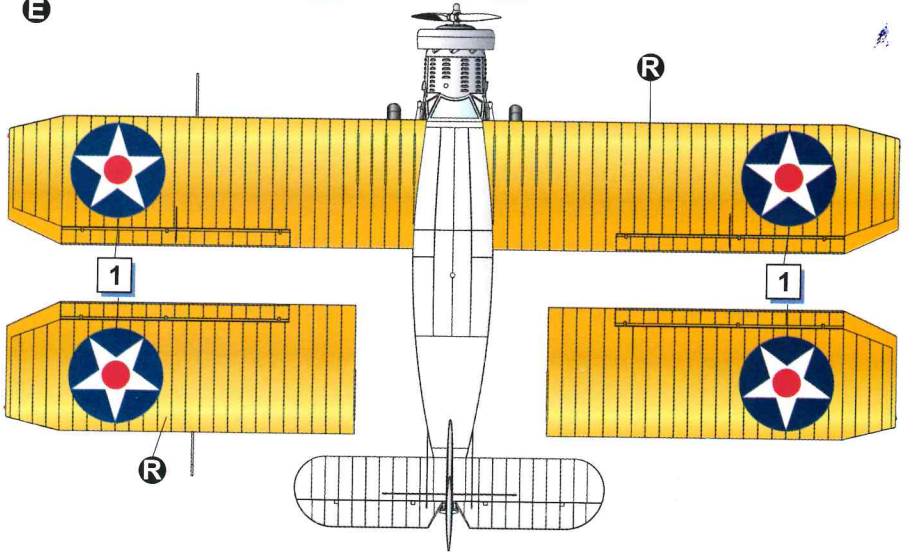
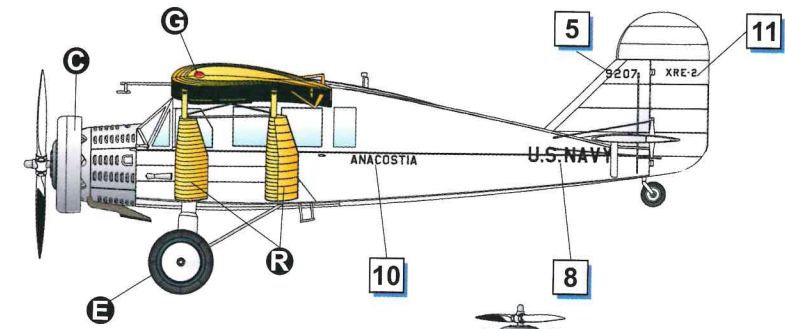
13



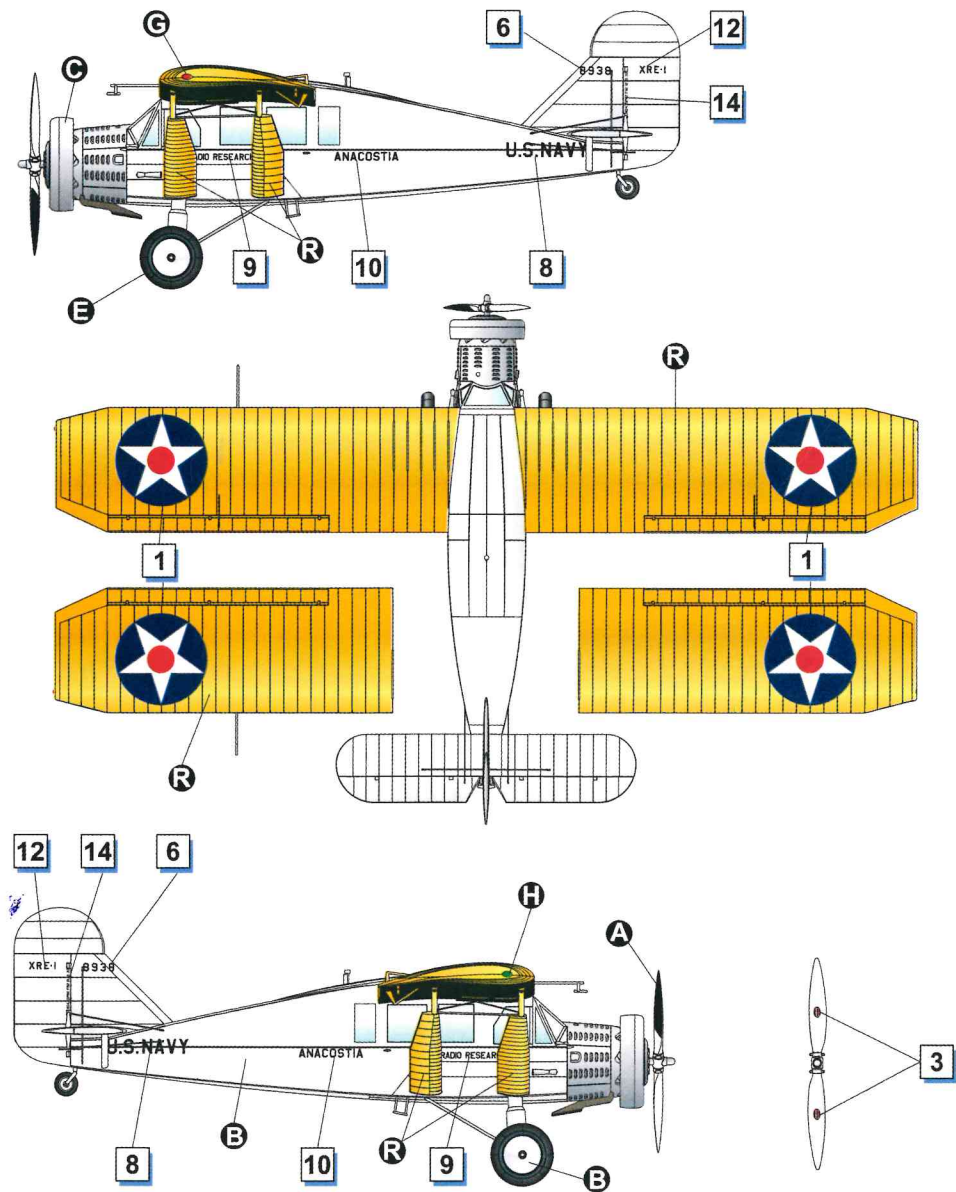


option

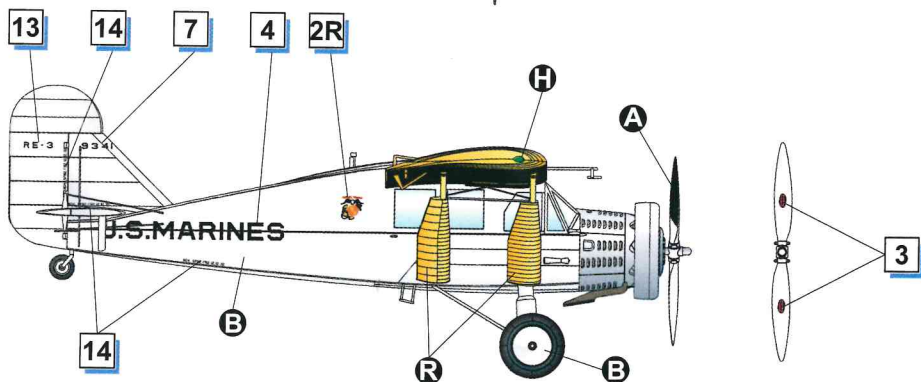
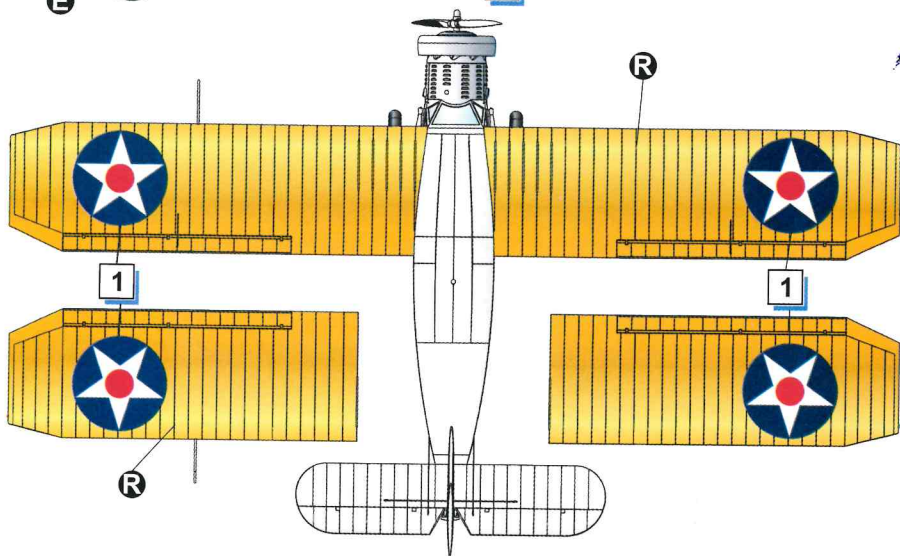
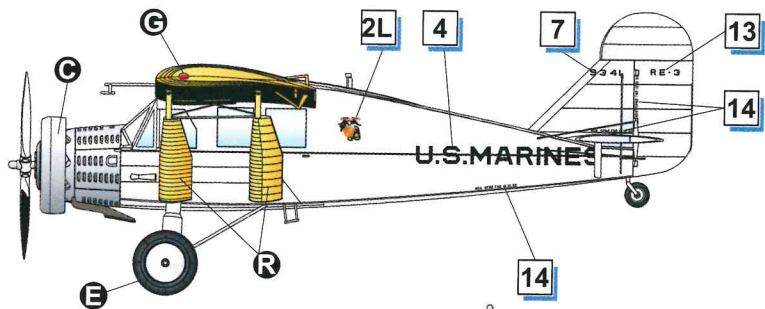




XRE-2 - light transport aircraft for the US Navy.



XRE-1 - aircraft used for radio research work at Naval Air Station Anacostia.



XRE-3 - two-stretcher air ambulance aircraft for the US Marine Corps.



© TKnL
aerofiles.com



COLOR TABLE

Color Chart		MR. HOBBY	Tamiya	AMMO MIG	Hataka	LIFECOLOR
Black	A	C33/H12	XF-1	MIG 046	HTK 100	LC 02
Silver	B	C8/H8	X-32	MIG 195	HTK B003	LC 74
Aluminium	C	MC 218	XF-16	MIG 194	HTK 078	LC 24
Gun Metal	D	C78/H28	X-10	MIG 045	HTK 106	LC 26
Rubber Black	E	C137/H77	XF-85	MIG 035		UA 733
Tan	F	C44/H27	XF-55	MIG 202	HTK 187	LC 15
Clear Red	G	C47/H90	XF-27	MIG 093		
Clear Green	H	C138/H94	XF-25	MIG 092		
Burnt Iron	I	C61/H76	XF-25	MIG 187		LC 37
Yellow	R	C329/H329	X-8			
Steel	S	C18/H38	XF-56	MIG 0119		LC 76

USED SYMBOLS



CEMENT



DON'T CEMENT



REMOVE



SYMMETRICAL



MULTIPLE



BEND



OPEN WHOLE



VARIANTS



TO PAINT