



MIRAGE-2000

The Mirage 2000 attack fighter is a multi-role aircraft designed to provide air defense, deep strike, nuclear deterrence, reconnaissance and close air support. With a fly-by-wire flight control system, the aircraft is able to attain superb speed and demonstrates excellent operating efficiency in flight. It was deployed in 1983 by the French Air Force and has various subtypes including the 2000B, 2000N & 2000D versions.

Unlike other aircraft in the world, the Mirage family is not named by the alphabet series. Mirage 2000 B, with B for "biplace", is the fifth prototypes of mirage 2000. It is the two-seat trainer model of Mirage 2000 with the fuselage lengthened to 14.55M for the second cockpit. While Mirage 2000B is able to carry 6300 kg (13889 lb) of disposable stores, it is a highly agile aircraft which achieved supersonic speed of approximately Mach 1.4 during its first flight on 11 October 1980.

The Mirage 2000N (N=nucléaire), a member of the French Nuclear Forces, was designed to carry the Aerospatiale Air-Sol Moyenne Portee (ASMP) nuclear stand-off missile which has a maximum range of 100 km. Compared to the Mirage 2000 fighter model, the 2000N has a strengthened airframe and performs better at low-altitude flight. It can also carry two Magic AAMs for self-defense. While the export versions of the Mirage 2000 are popular among countries such as Egypt, Greece, India, Taiwan and United Arab Emirates, the 2000N version is not licensed for export due to its nuclear capability.

Modifications to the Mirage 2000N have resulted in the Mirage 2000D (D=diversifie), which is the 2000N's conventional attack counterpart. It is basically the same as the Mirage 2000N with additional optimizations for long-range precision strikes and conventional bombing missions, and is able to carry a wide range of French air-to-surface weaponry. In 2008, the French Air Force deployed three Mirage 2000D aircraft to Kandahar in Afghanistan to provide support for the Nato International Security Assistance Force (ISAF).

H1	1	White
H2	2	Black
H4	4	Yellow
H8	8	Silver
H52	12	Olive Drab
H18	28	Steel
H83	32	Dark Gray

H12	33	Flat Black
H90	47	Clear Red
H50	50	Clear Blue
H80	54	Dark Green
H76	61	Brunt Iron
H42	72	Intermediate Blue
H28	78	Metal Black

H120	120	RLM 80 Olive Green
H303	303	Green FS34102
H306	306	Gray FS36270
H307	307	Gray FS36320
H308	308	Gray FS36375
H335	335	Medium Seagray

H1 GSI Creos Aqueous Hobby color

1 GSI Mr.Color

Glue is not included in this kit.

1/48 SCALE AIRCRAFT SERIES NO:48032

CAUTION

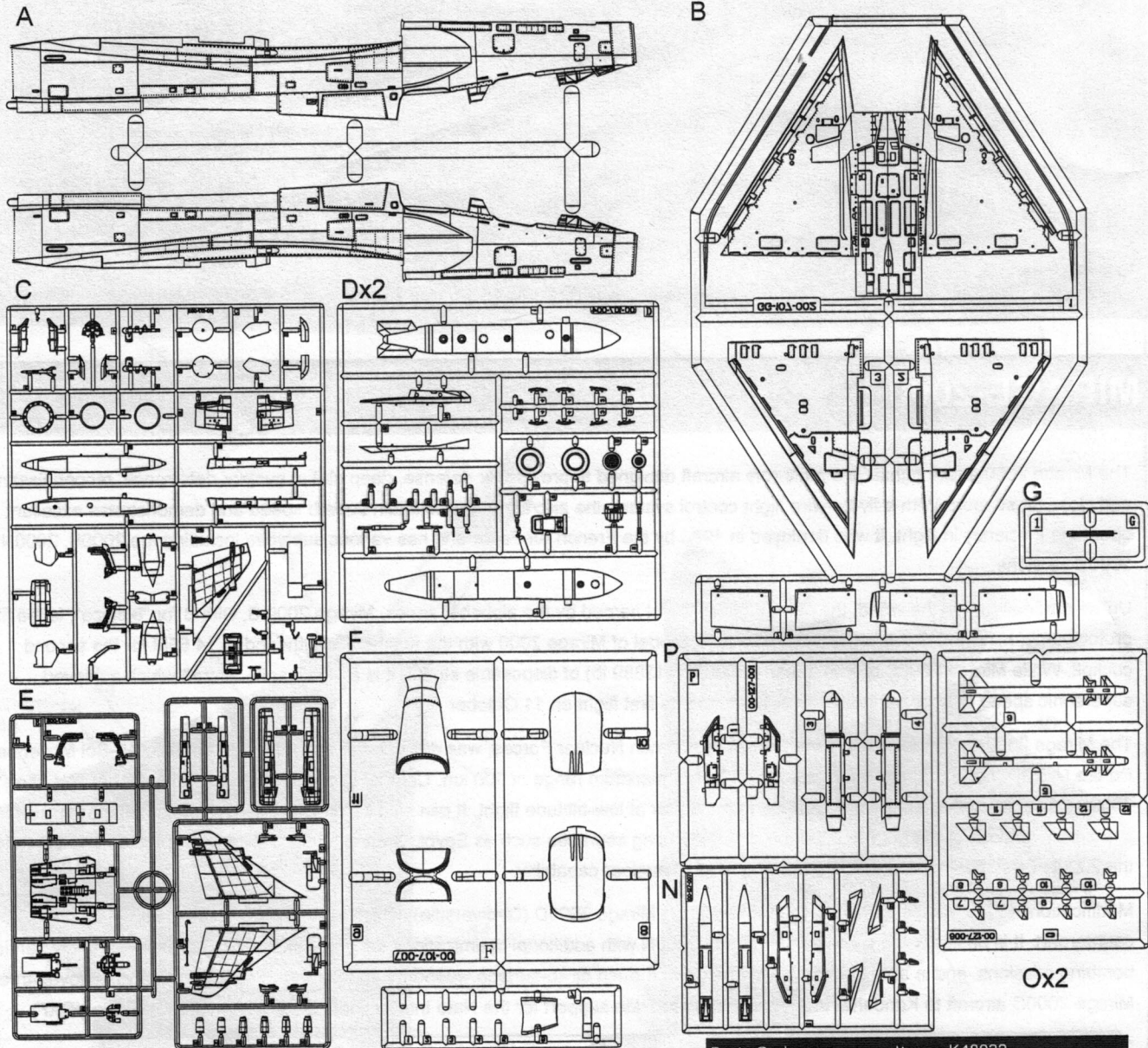
*Read carefully and fully understand the instructions before commencing assembly.

*Keep out of reach of children. Children must not be allowed to put any parts in their mouths, or pull plastic bag over their heads.

*When using adhesives and paints, please make sure not to use them in closed room or near the fire.

*When assembling this kit, tools including knives are used. Extra care should be taken to avoid injury.

WARNING: CONTAIN SMALL PARTS NOT FOR CHILDREN UNDER 14 YEARS OF AGE.

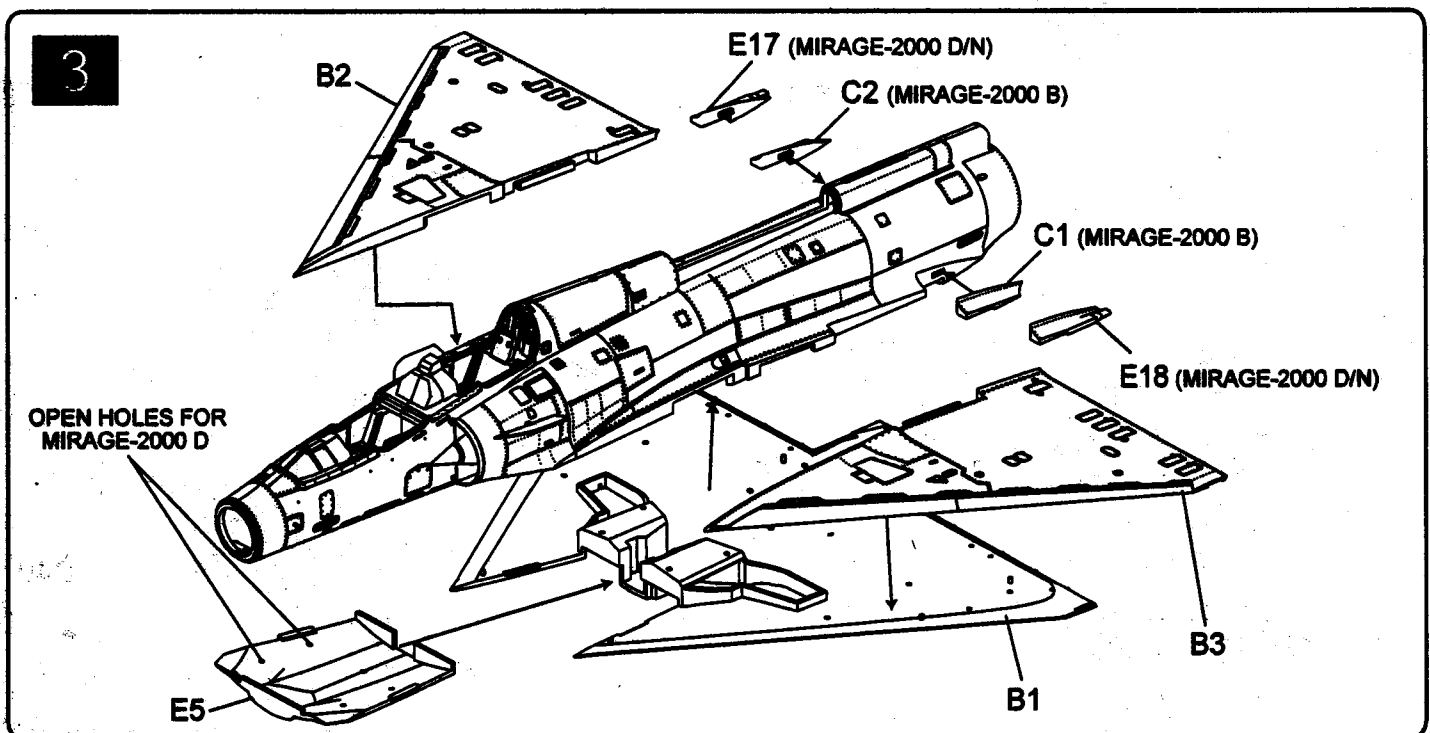
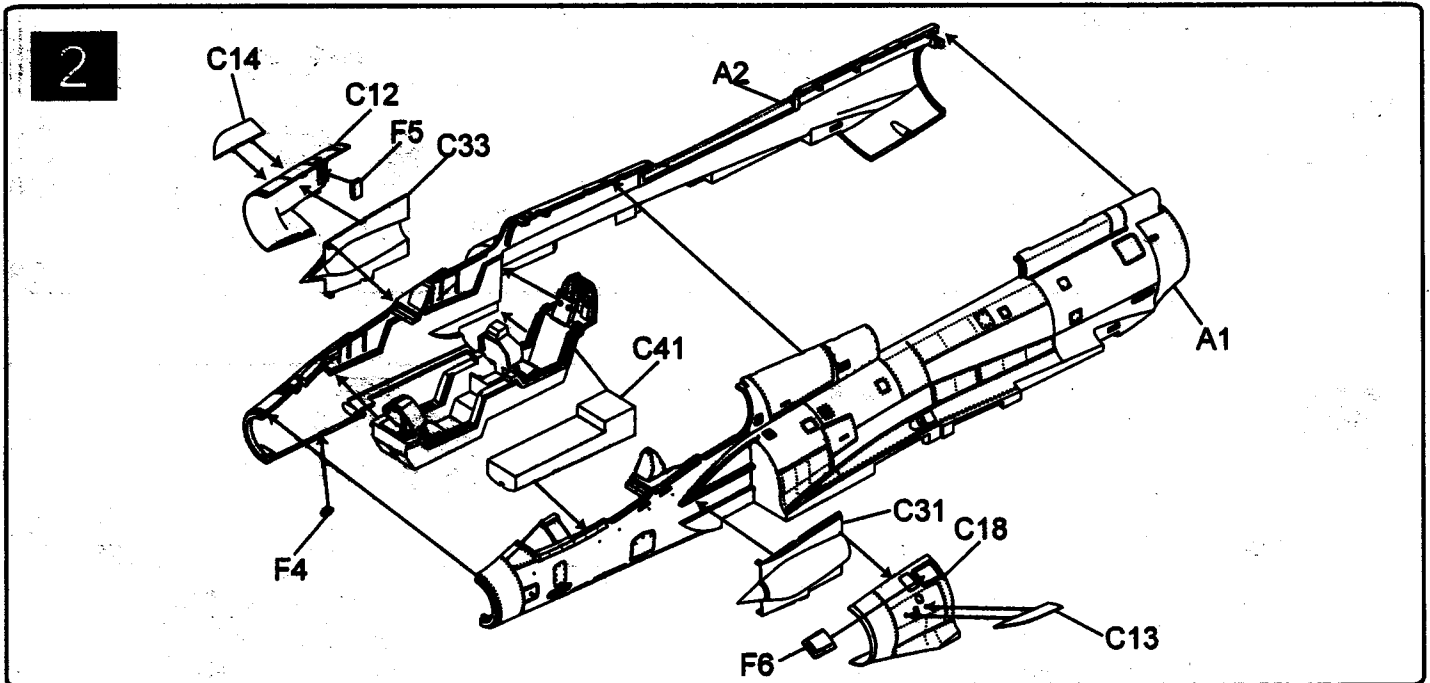
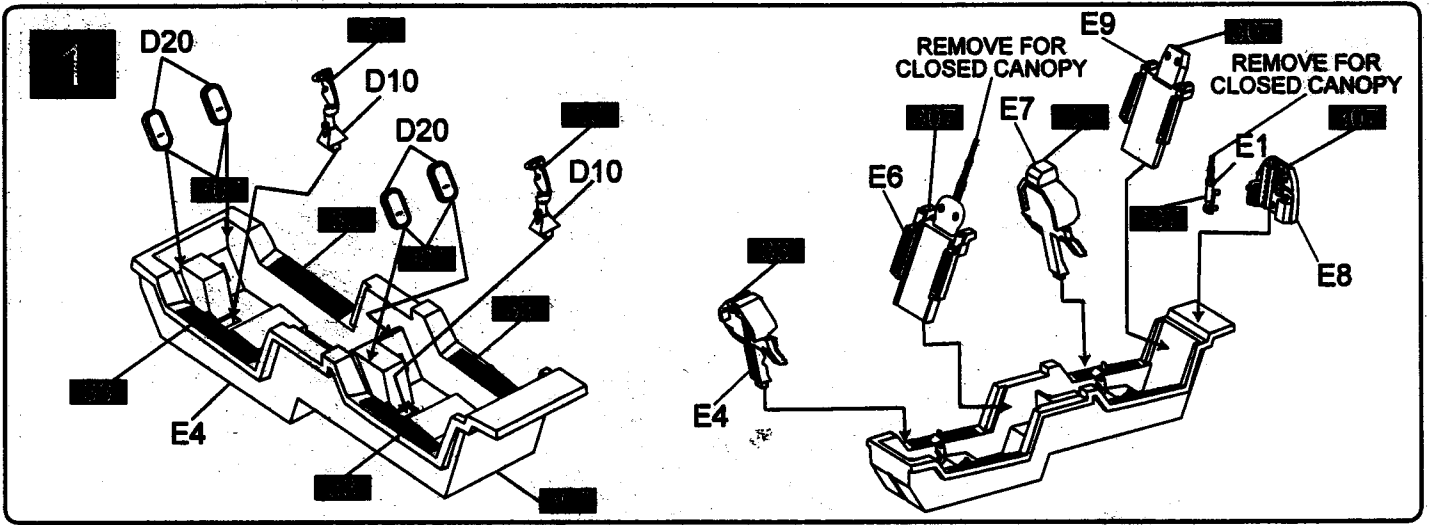


AFTERMARKET SERVICES CARD

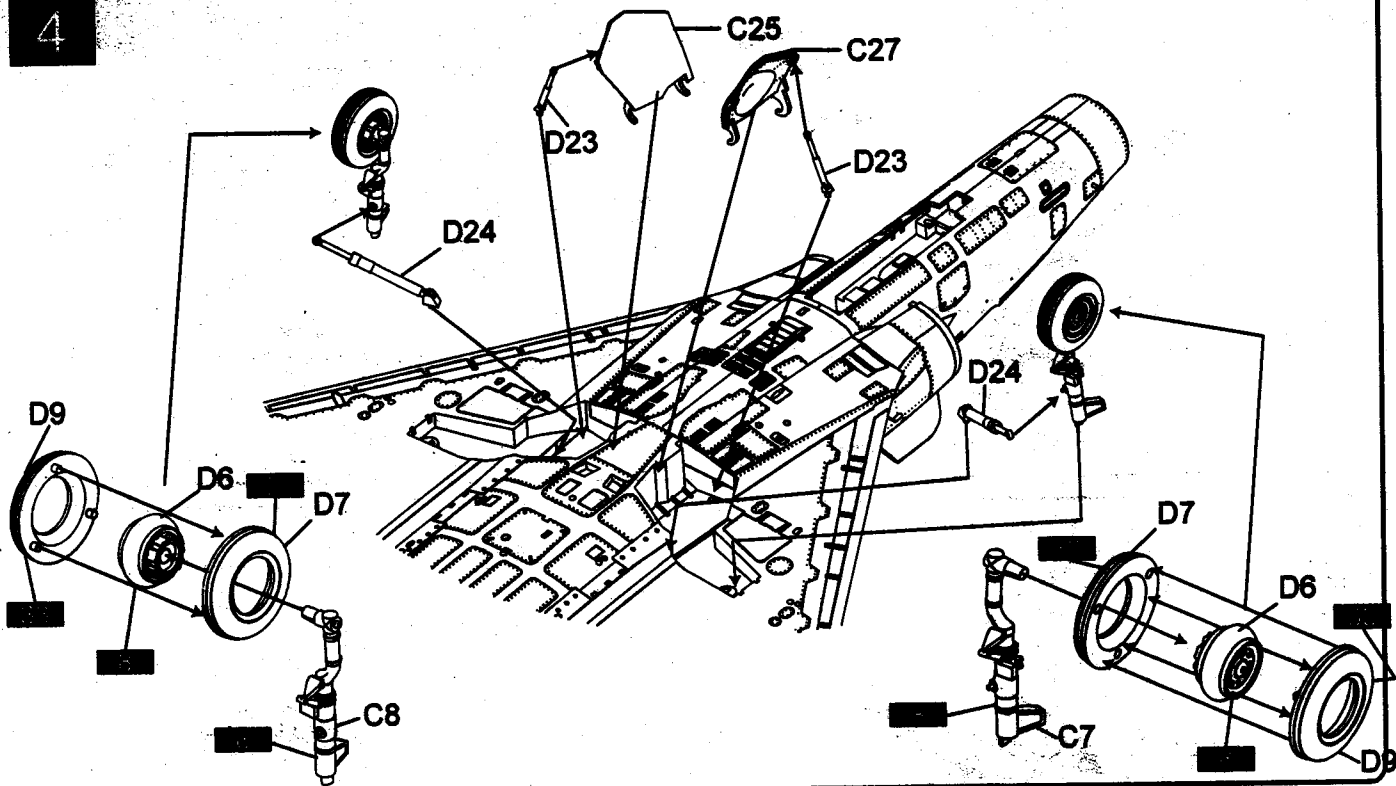
When requesting replacement parts, please take or send this form to your local dealer so that the parts required can be correctly identified. Please note that specifications and availability are subject to change without notice.

For more information, please contact services@kineticmodel.com or visit <http://www.kineticmodel.com> for latest information.

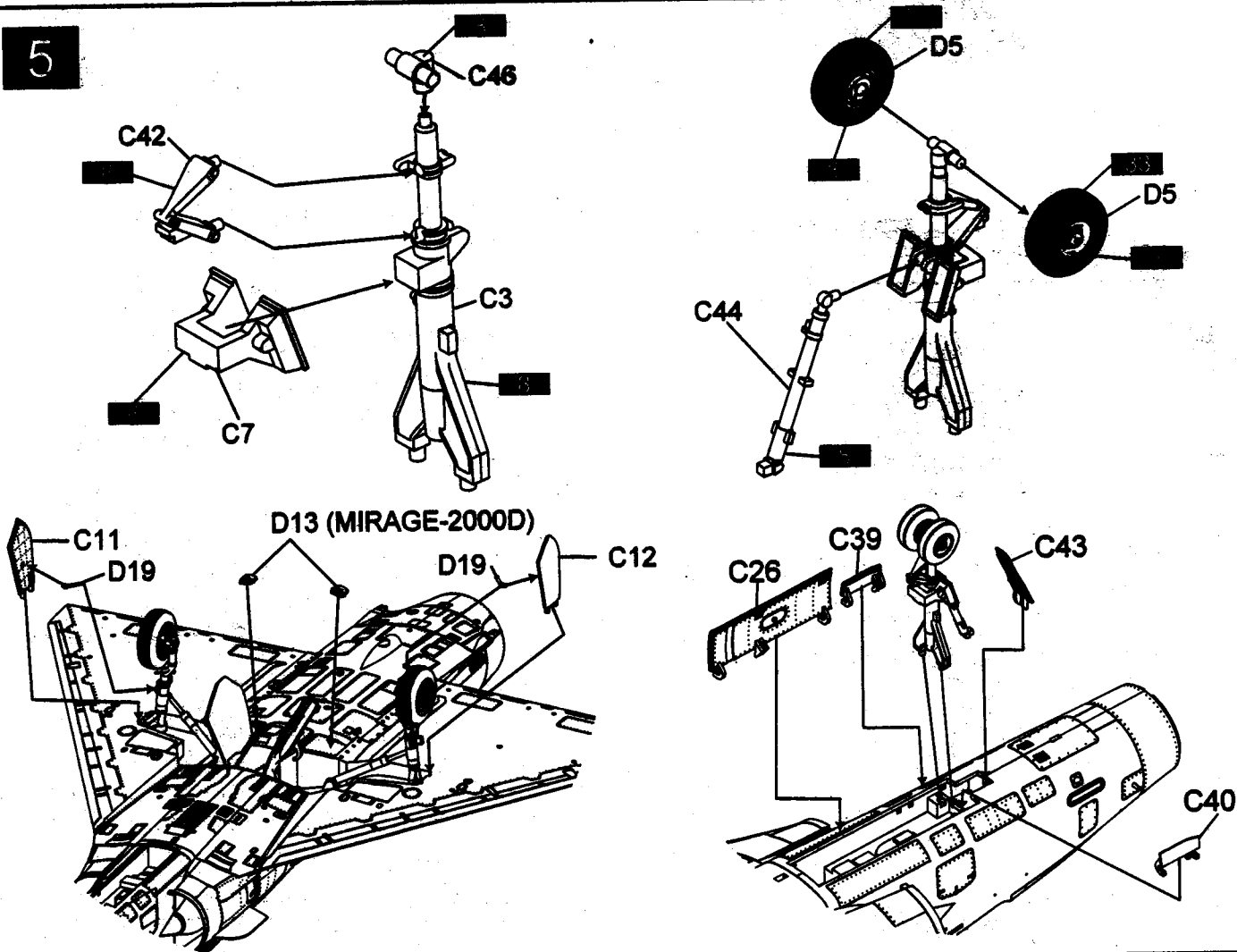
Parts Code	Item	K48032
00-107-001	A	Main fuselage
00-107-002	B	Wing parts
00-107-003	C	Body parts
00-107-004	D	Fuel tank, wheels
00-107-005	E	Cockpit tub, vertical fins
00-107-007	F	Canopy clear parts
00-127-001	P	ALTIS pod
00-127-006	O	Magic missiles
00-127-007	N	AS-30L missile
00-127-009	G	ALTIS pod clear part



4

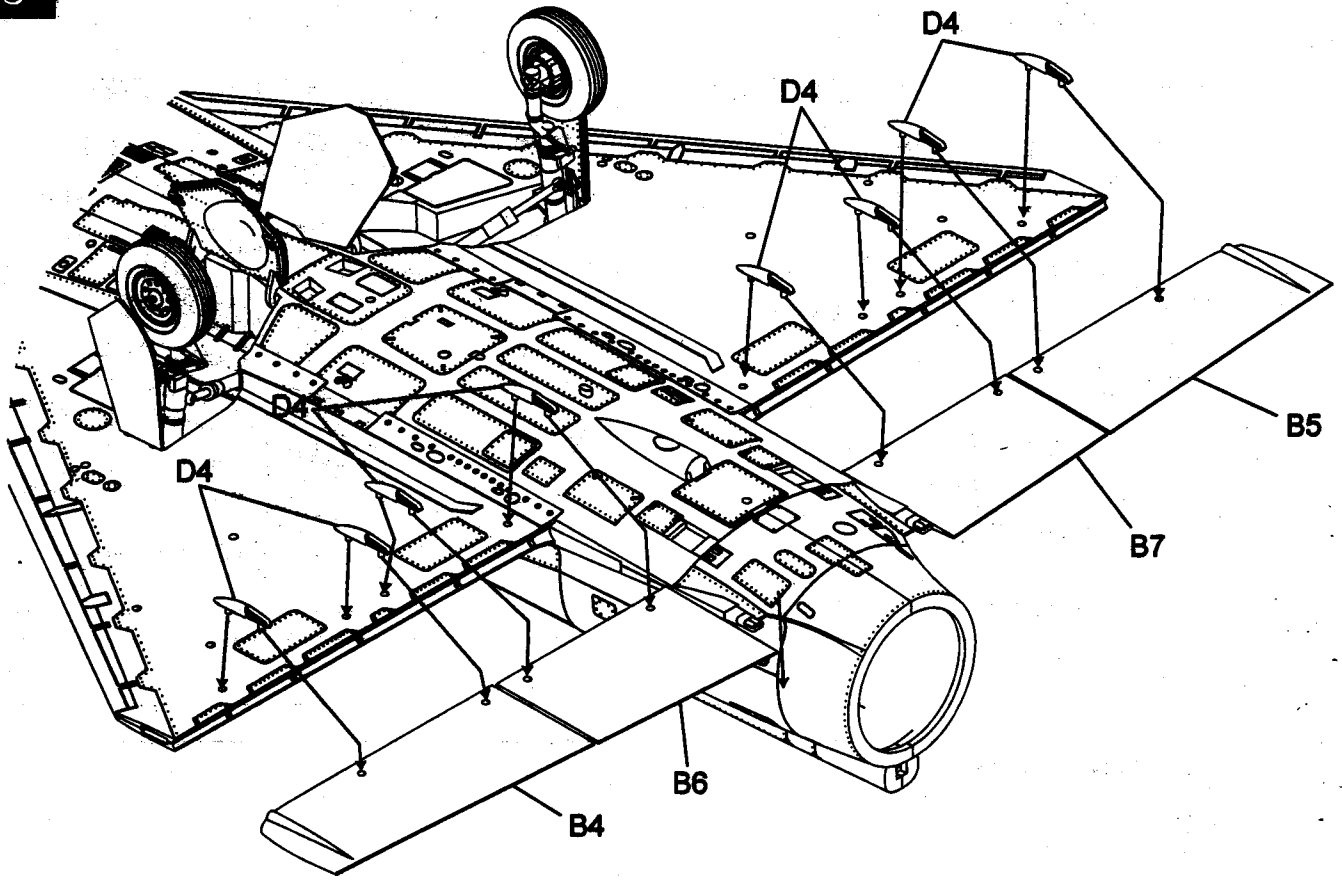


5



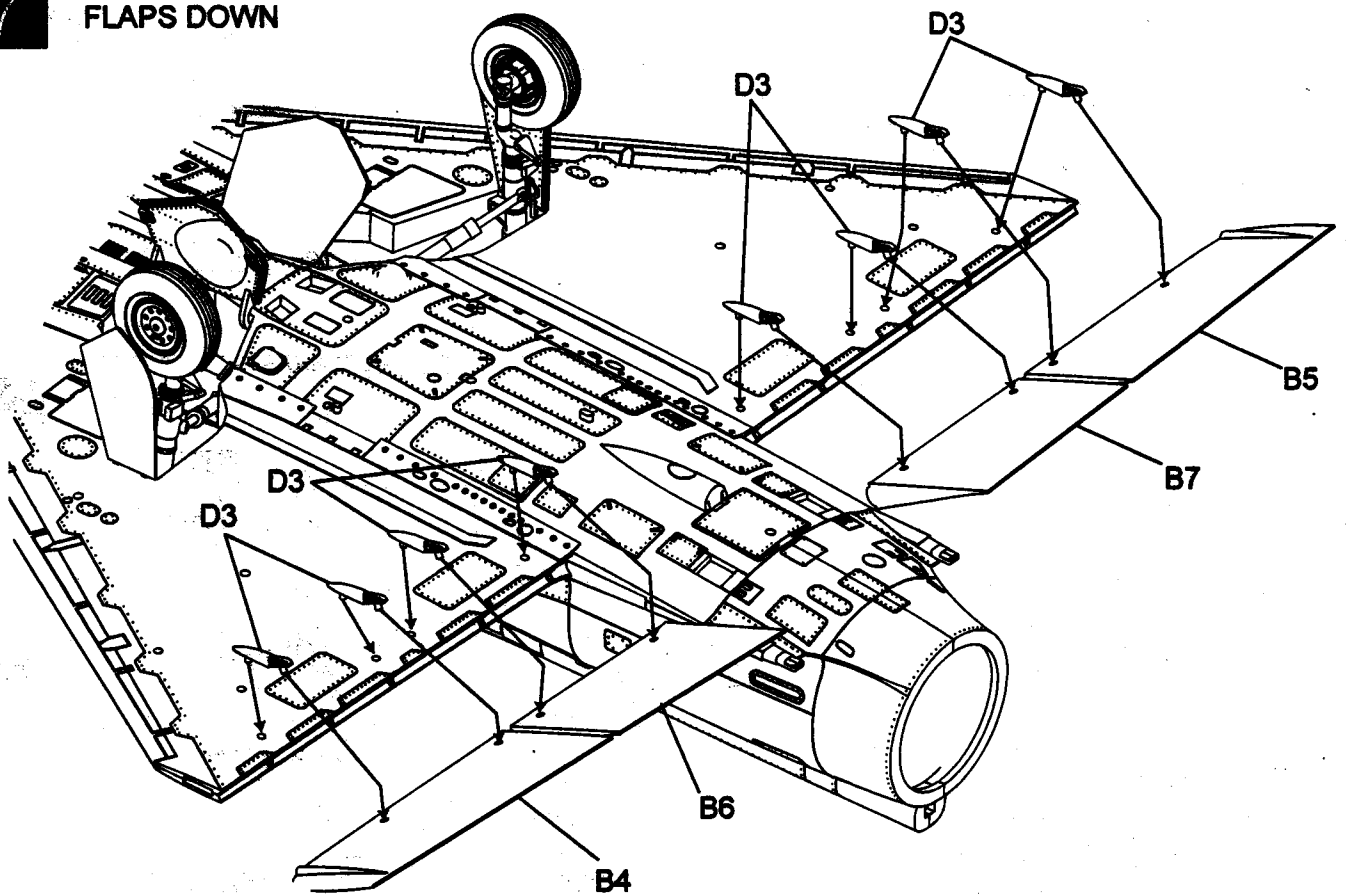
6

FLAPS UP



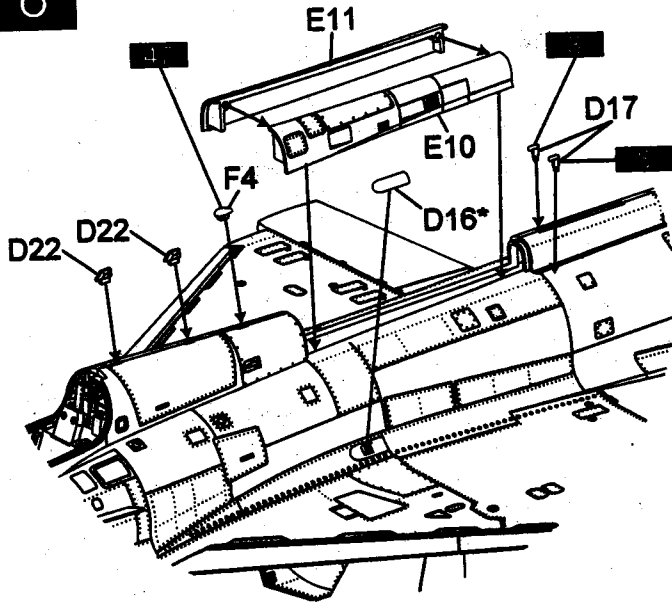
7

FLAPS DOWN

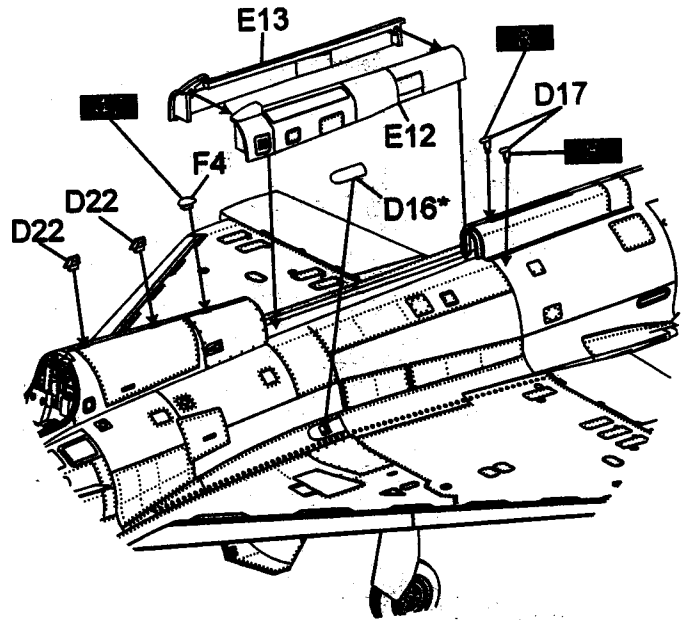


8

MIRAGE - 2000 B/N



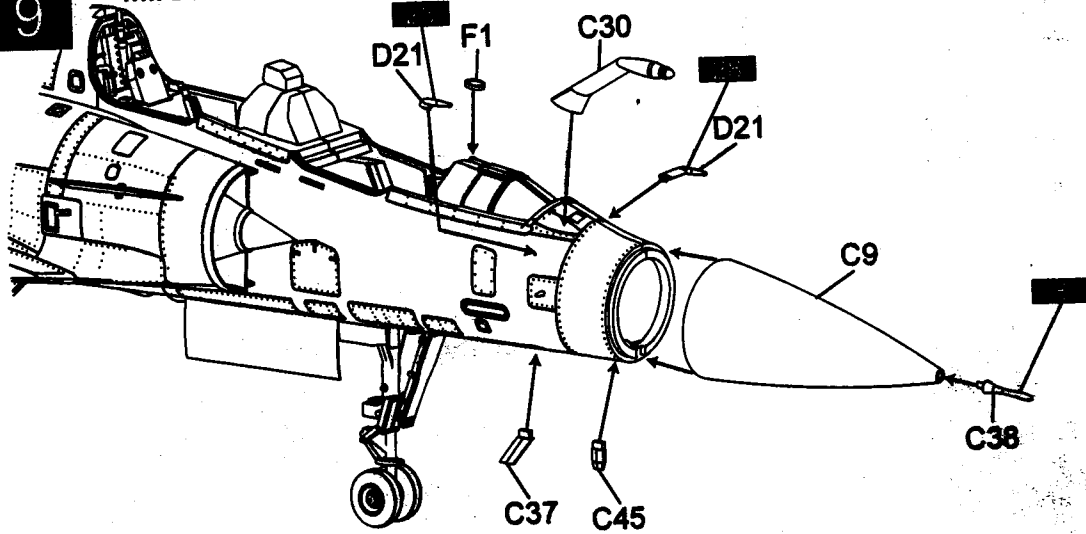
MIRAGE - 2000 D



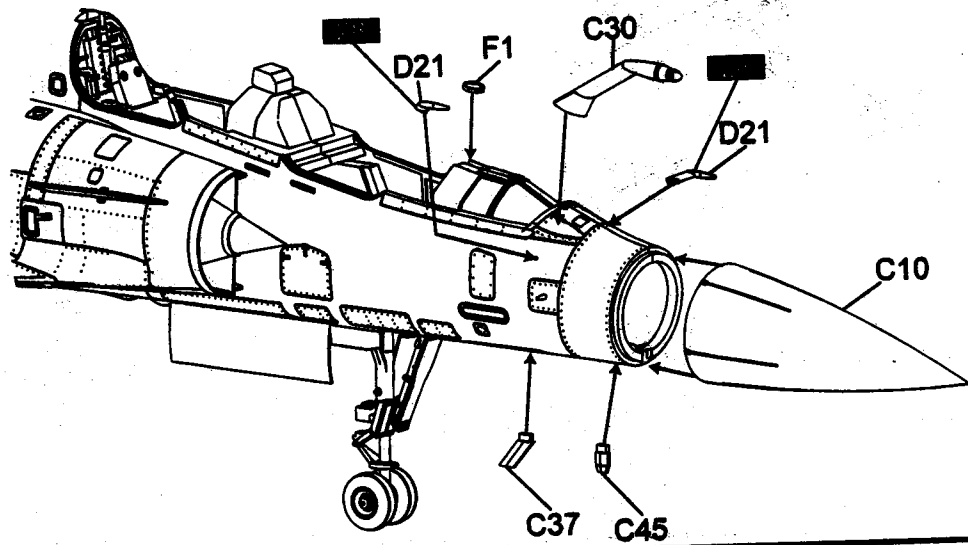
*OPPOSITE SIDE

9

MIRAGE - 2000 B/N

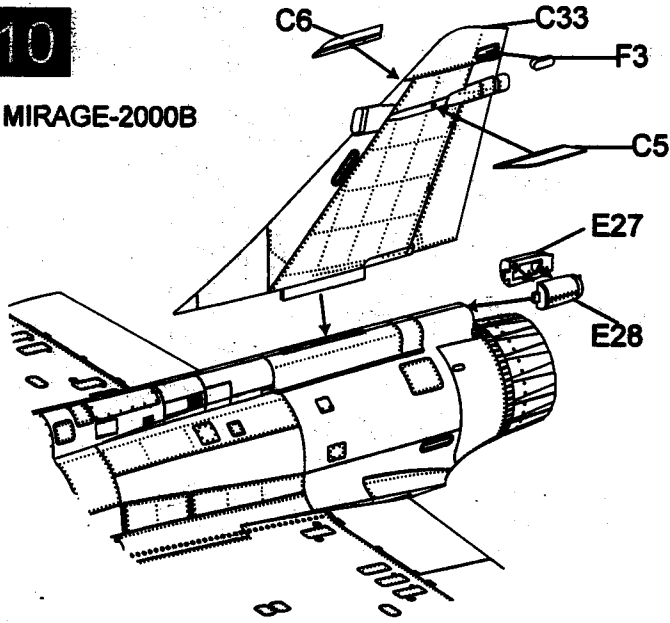


MIRAGE - 2000 D

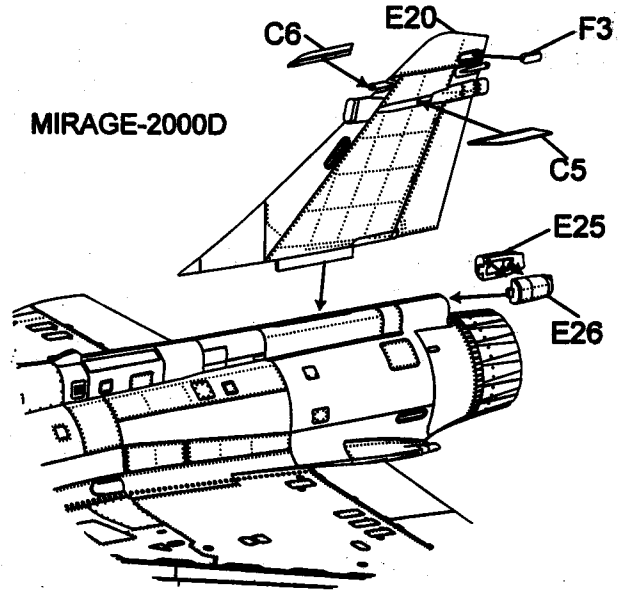


10

MIRAGE-2000B

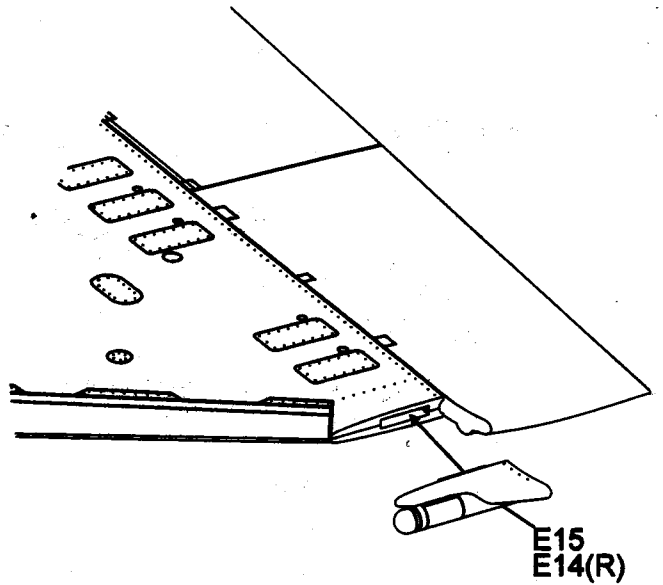
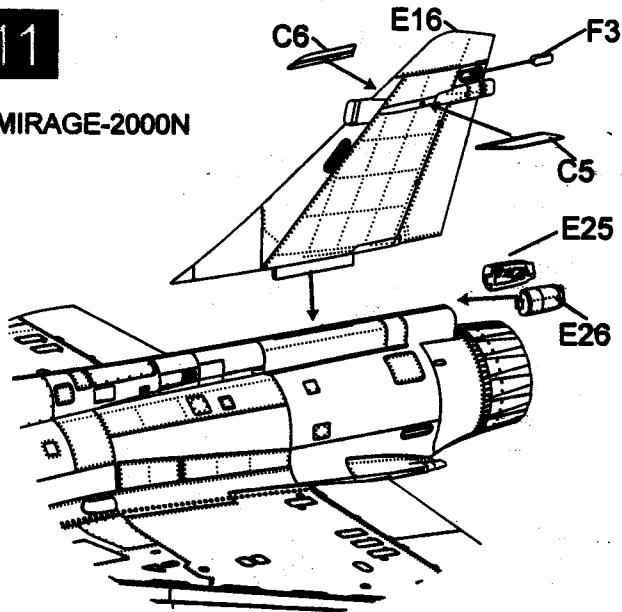


MIRAGE-2000D

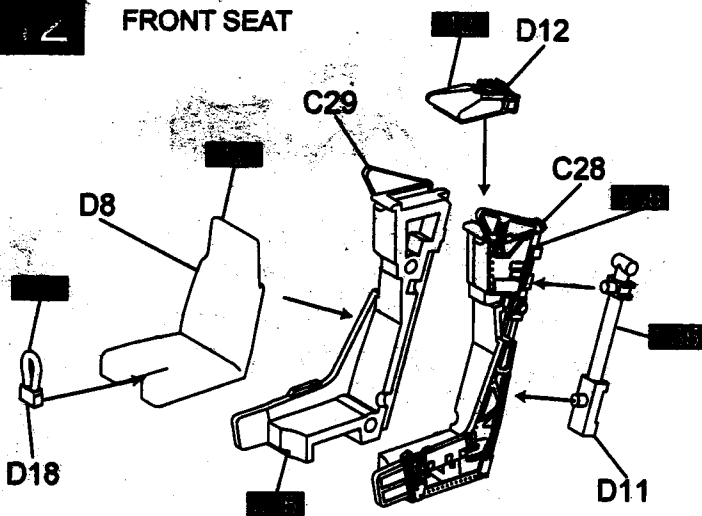


11

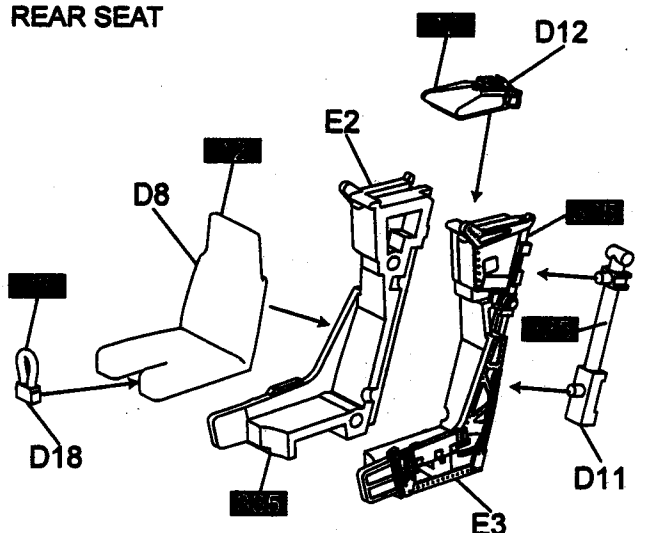
MIRAGE-2000N



FRONT SEAT

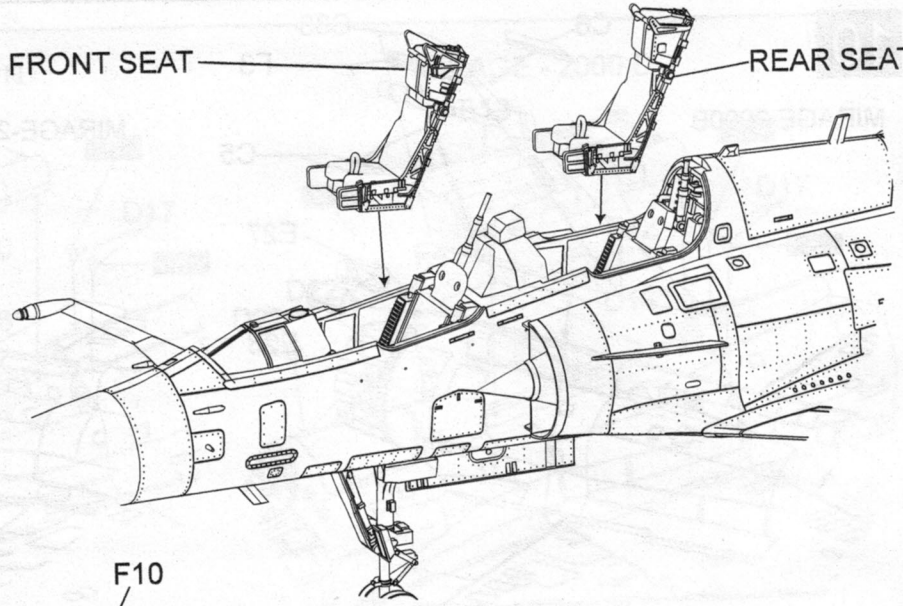


REAR SEAT

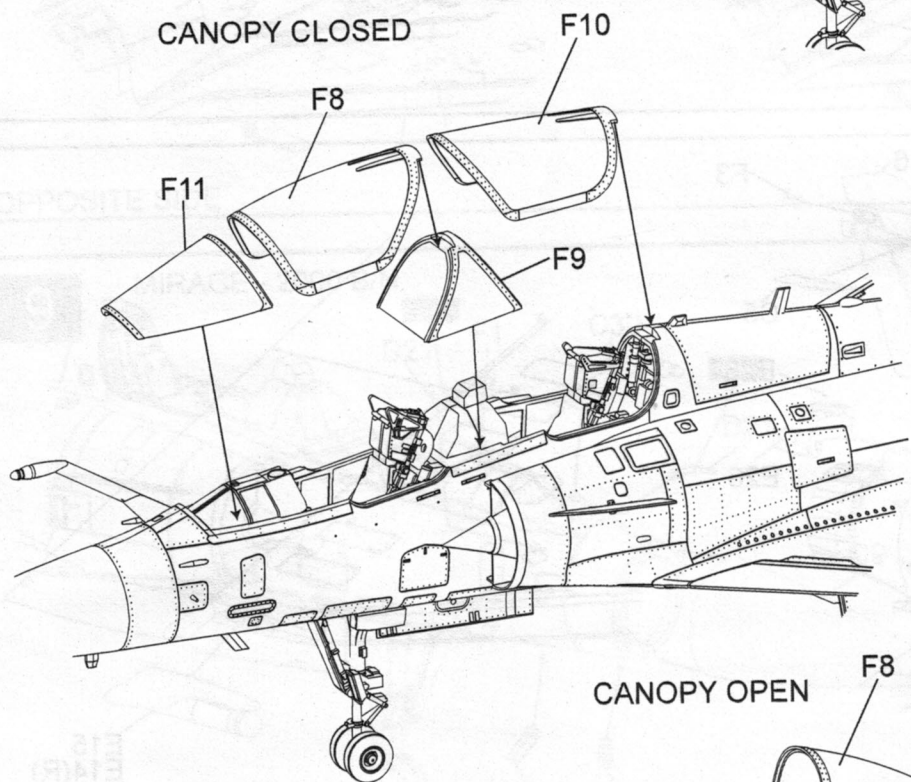


FRONT SEAT

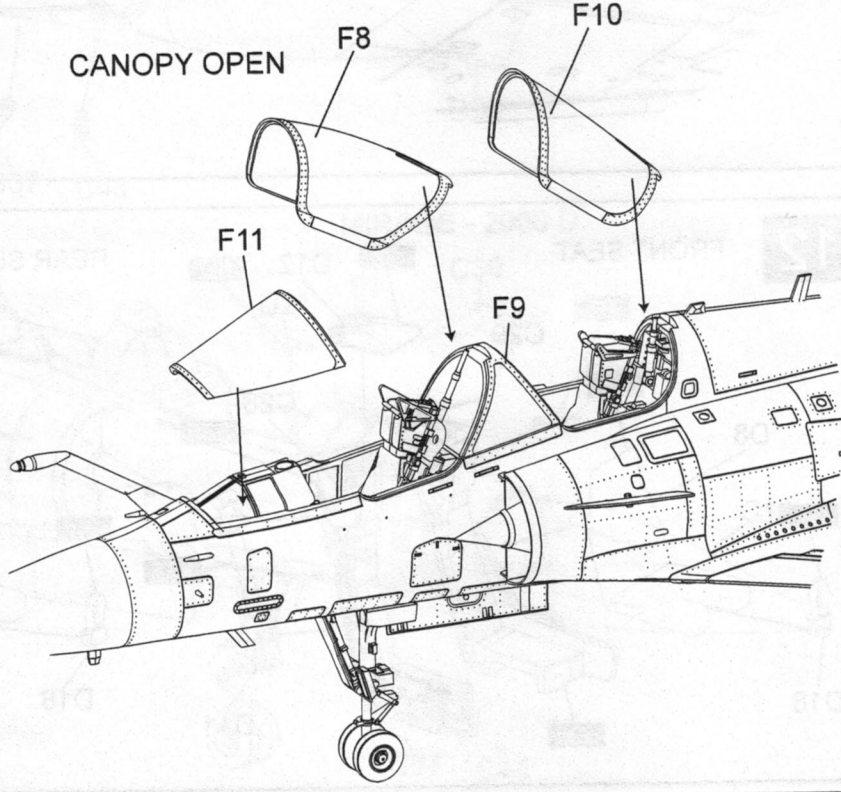
REAR SEAT



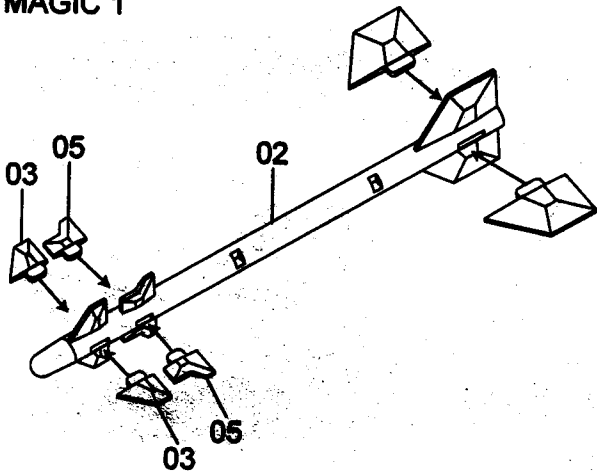
CANOPY CLOSED



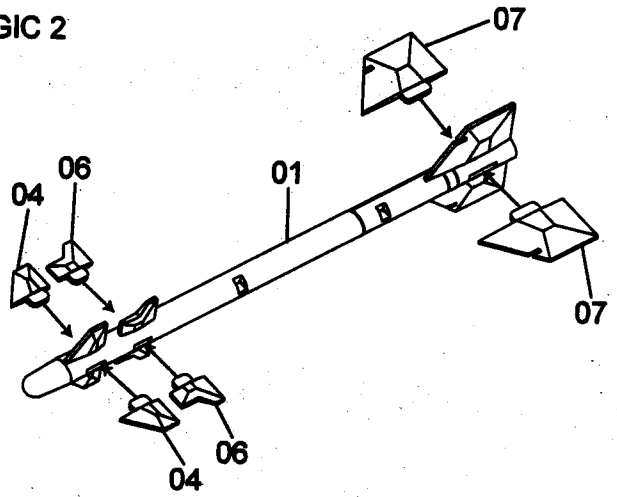
CANOPY OPEN



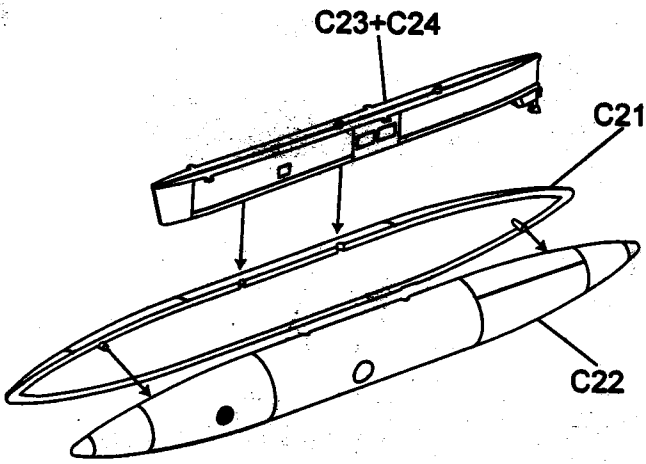
MAGIC 1



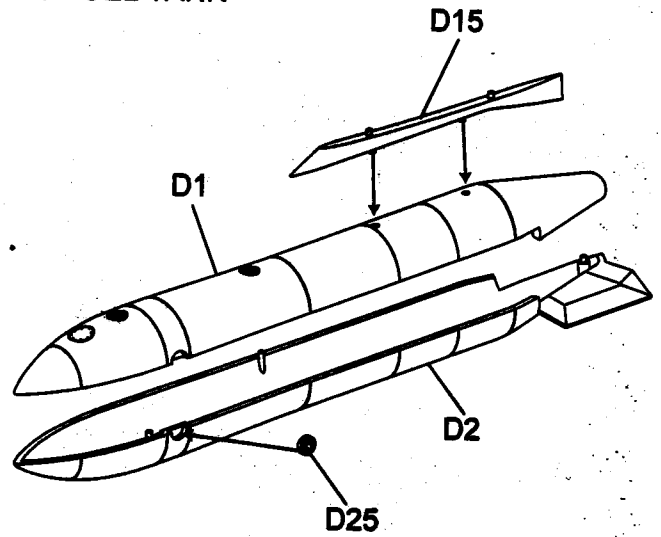
MAGIC 2



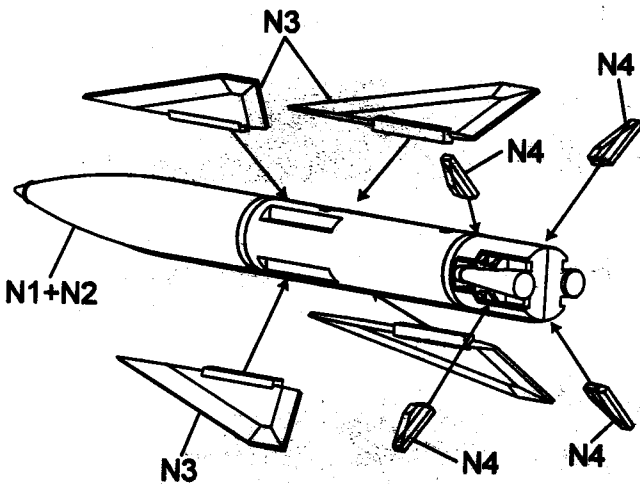
CENTERLINE FUEL TANK



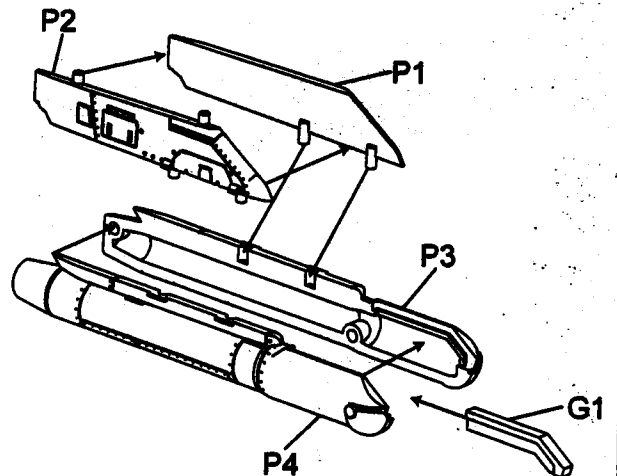
WING FUEL TANK

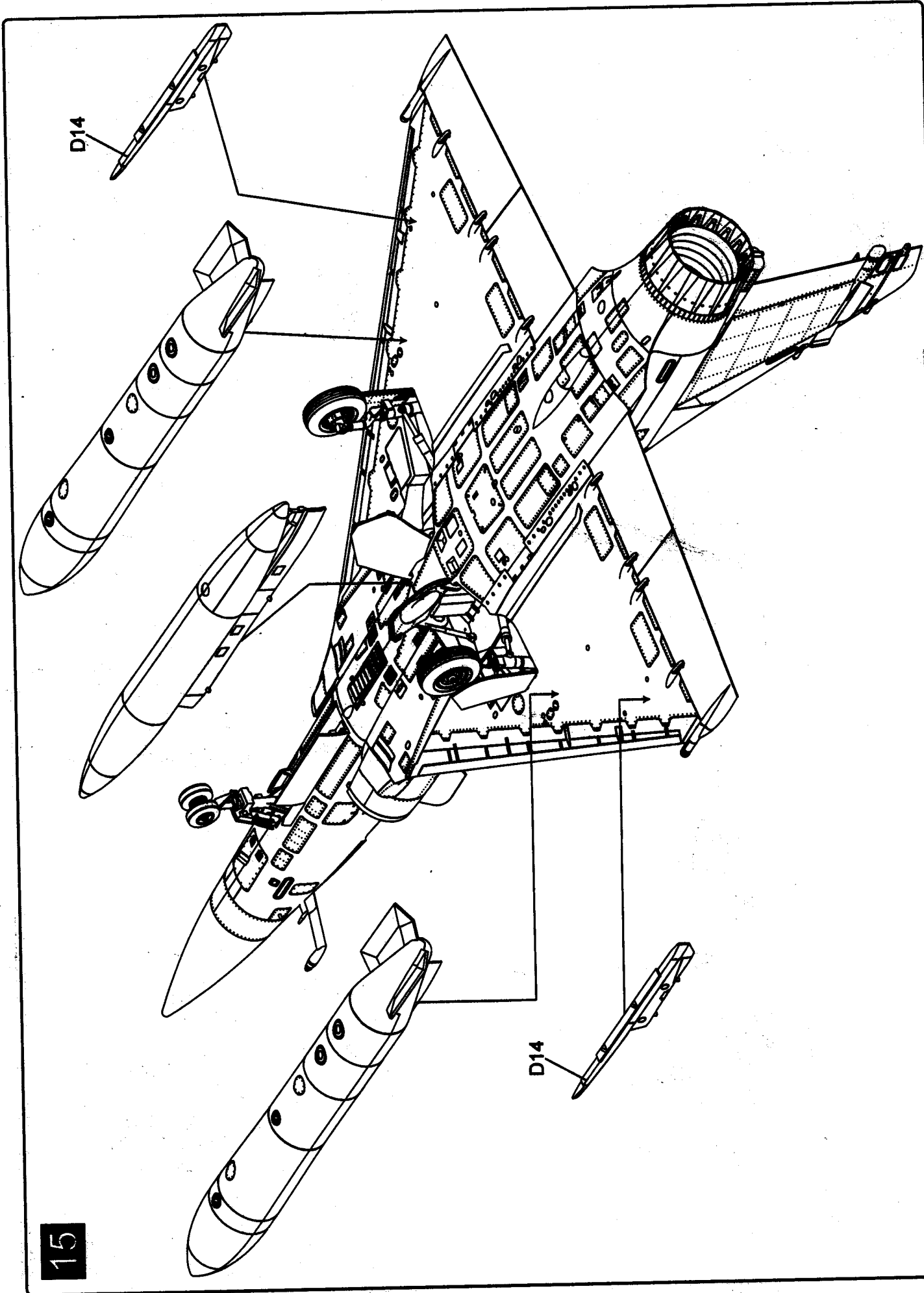


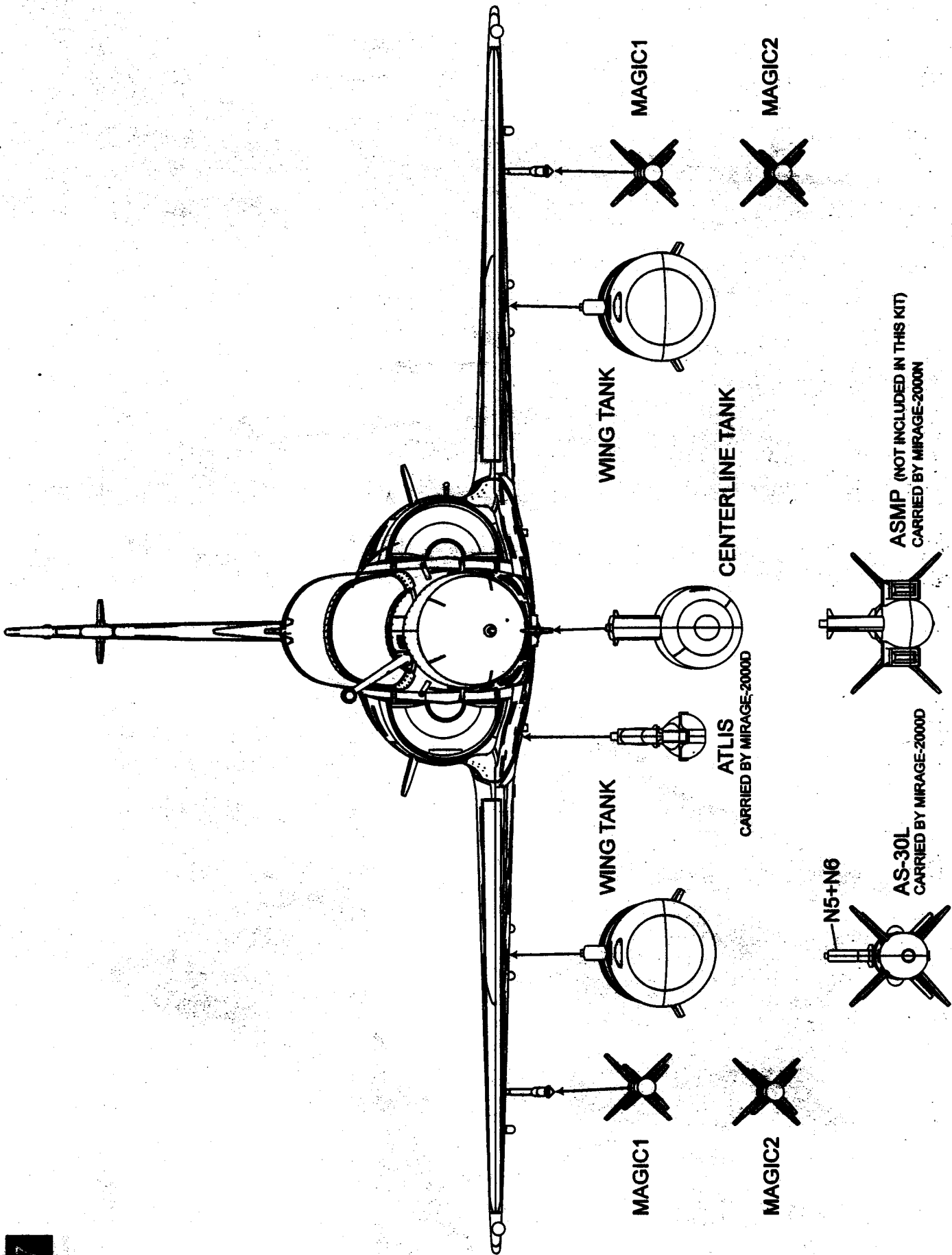
AS-30L



ATLIS



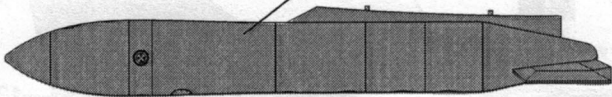




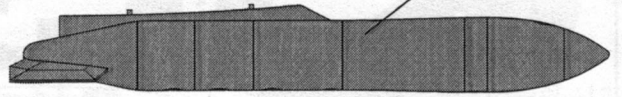
16

MIRAGE-2000B

8 OR 308

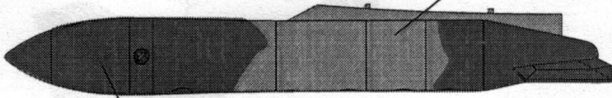


8 OR 308



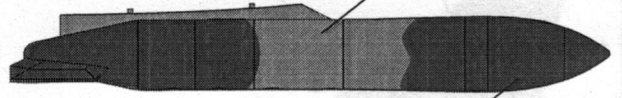
MIRAGE-2000D

120



80% 20%
32 + 54

120



80% 20%
32 + 54

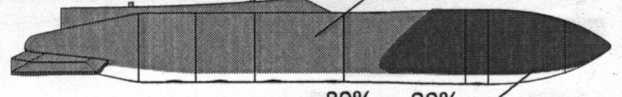
MIRAGE-2000N

120

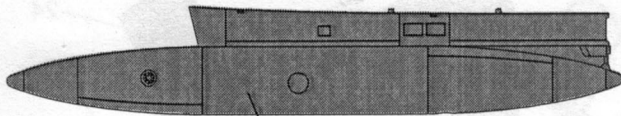


80% 20%
32 + 54

120

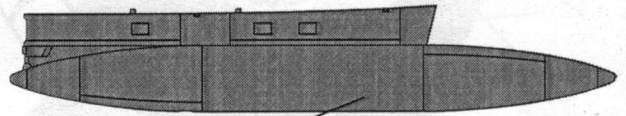


80% 20%
32 + 54



306 MIRAGE-2000N

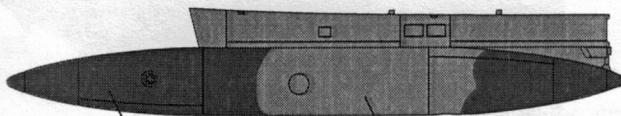
8 OR 308 MIRAGE-2000B



306 MIRAGE-2000N

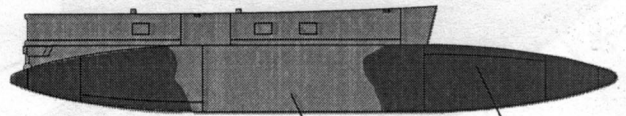
8 OR 308 MIRAGE-2000B

MIRAGE-2000D



80% 20%
32 + 54

120



80% 20%
32 + 54

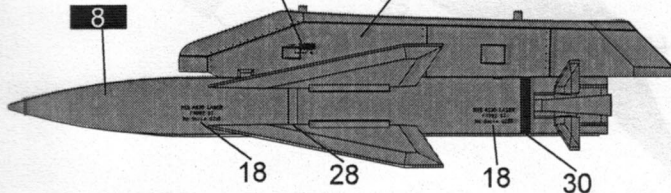
120

AS-30L

8

15

8

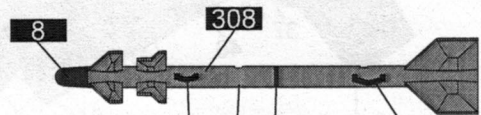


18

28

18

30



8

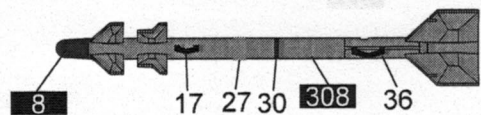
308

17

27

30

36



8

17

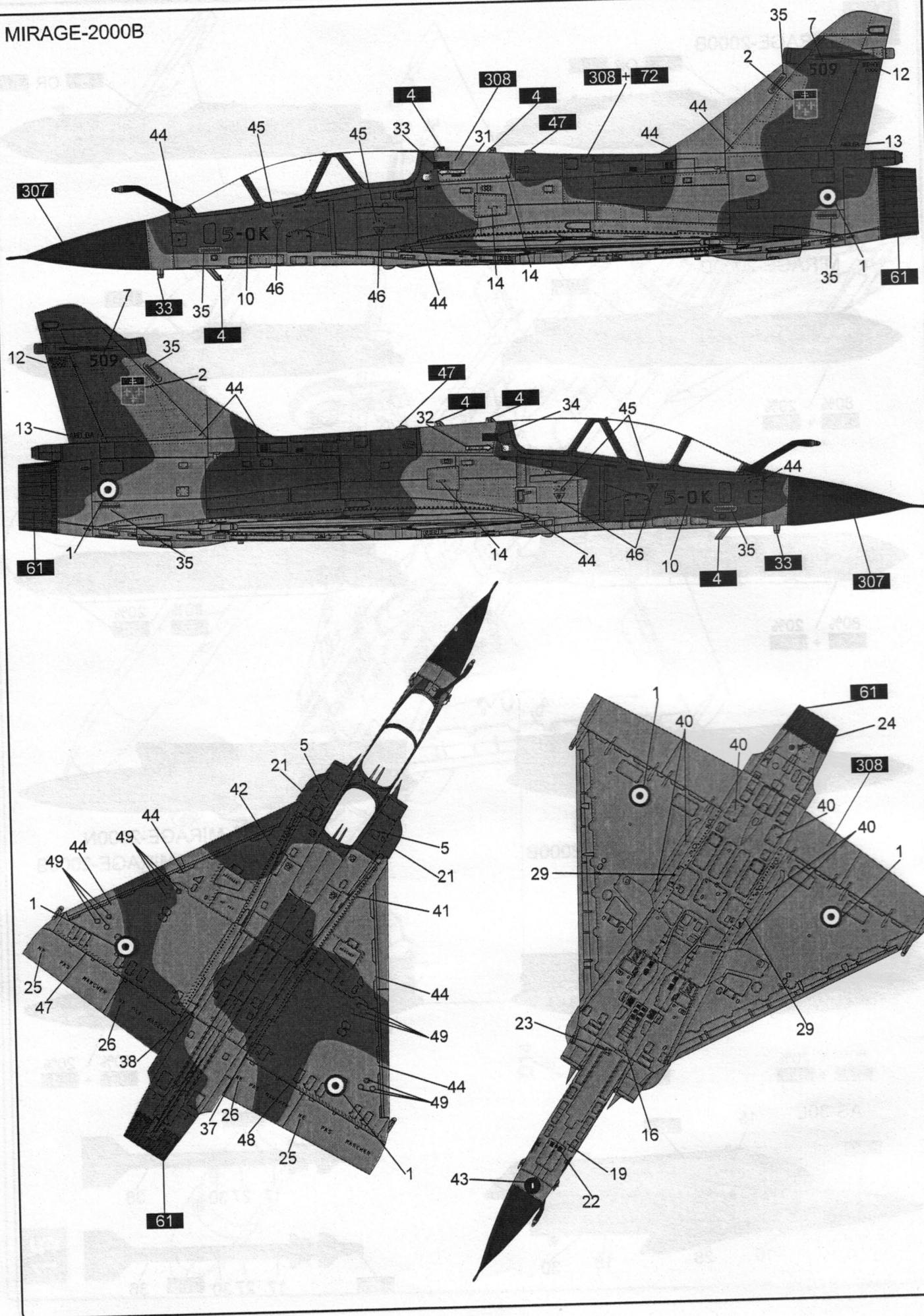
27

30

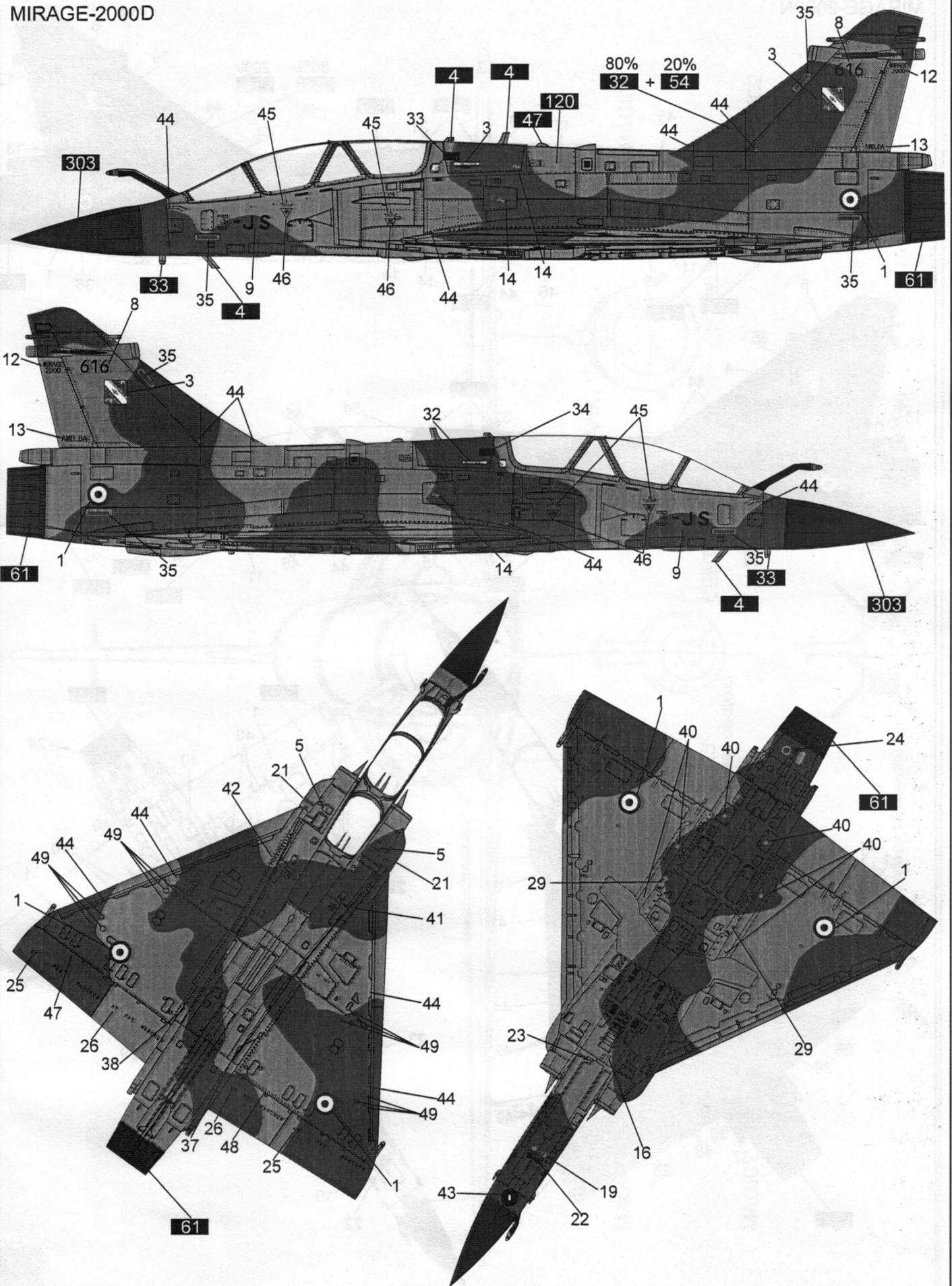
308

36

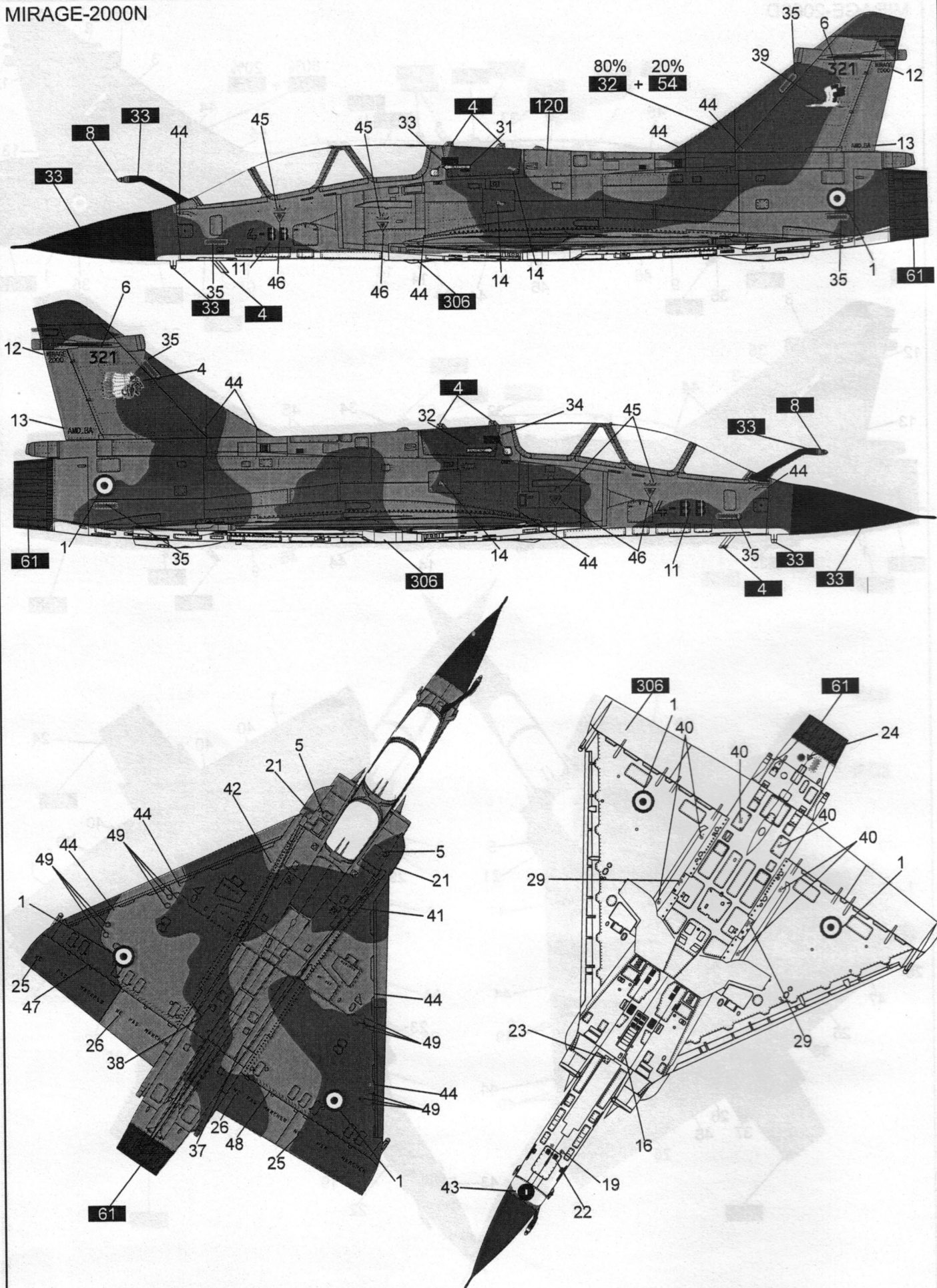
MIRAGE-2000B



MIRAGE-2000D



MIRAGE-2000N



Mirage 2000BG Hellenic Air Force

