

COPYRIGHT 1961 BY REVELL, INC., VENICE, CALIF. H-166 LITHO IN U. S. A.

ASSEMBLY INSTRUCTIONS REPUBLIC F-105B THUNDERCHIEF

Revell
Authentic Kits

THE SCALE OF THIS MODEL IS
1/75.6 ACTUAL SIZE OR
1" = 6' 3"

HISTORY OF YOUR F-105B THUNDERCHIEF

This "Century Series" fighter-bomber is designed to deliver nuclear weapons as well as conventional bombs at high speeds over long ranges. It has a wingspan of 34 feet, 11 inches, an overall length of 63 feet, 1 inch, and is powered with a Pratt and Whitney J-75 turbojet engine that produces 15,000 pounds of thrust. With the afterburner, this figure is raised to 25,000 pounds.

The THUNDERCHIEF is classed as a "weapons system" because all of its components are integrated to accomplish its specific mission. Fixed armament consists of a General Electric 20 mm Vulcan automatic, multi-barrel gun, capable of firing 6000 rounds per minute. Nuclear weapons are carried in the internal bomb bay, and various combinations of rockets, napalm bombs, and high explosive bombs can be carried on external mounts. Seated in a pressurized cockpit, the

pilot is surrounded by the most modern of automatic flight control systems, including automatic lead computing sight, toss bomb computer, and associated equipment.

The first prototype flew on May 26, 1956, and the first production aircraft was delivered to the Tactical Air Command on May 27, 1958. It went into squadron service first with the 335th Tactical Fighter Squadron, Fourth Tactical Fighter Wing, at Eglin Air Force Base in Florida.

This aircraft is at the present time, one of America's first line fighters. It has a speed of nearly Mach 2 and a ceiling of over 50,000 feet. It is a major factor in the Tactical Commands capability.

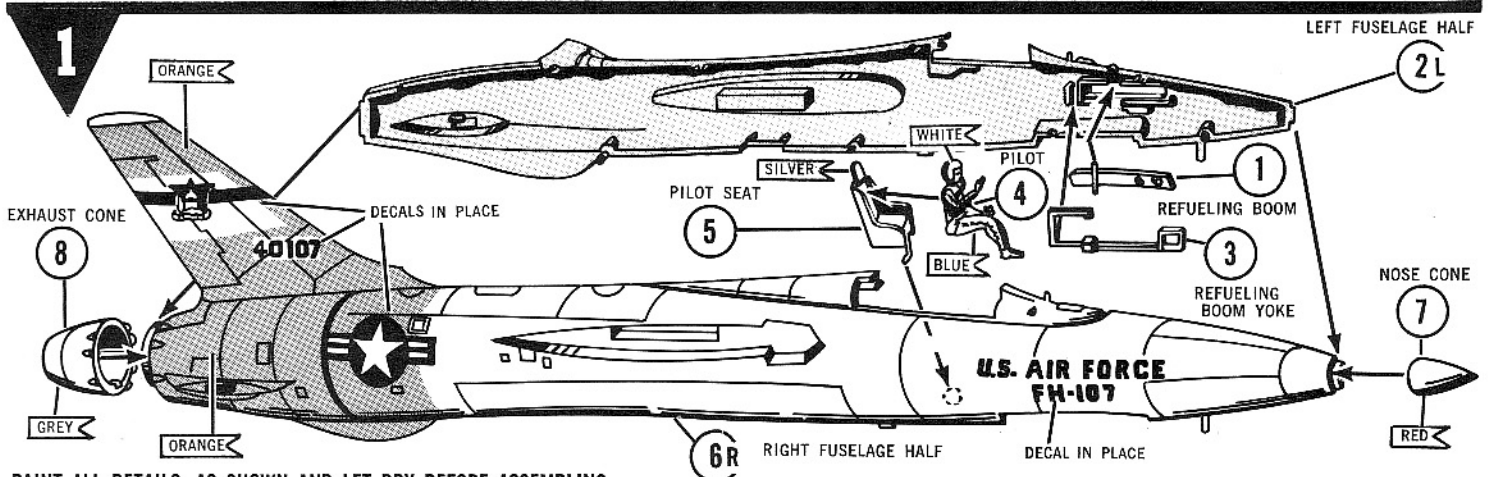
FOR BEST RESULTS, READ THIS FIRST

1. Since this kit is molded of styrene plastic, use only Revell Cement. Do not let cement touch your eyes, furniture or clothing.
2. Apply cement sparingly. Excess cement may run and damage the details on your model.
3. Carefully trim any excess plastic from parts before assembling. This will result in parts fitting together perfectly, and also enable moving parts to move freely.

THIS IS VERY IMPORTANT

4. All parts are numbered for easy identification, or the numbers are engraved on the bar next to the part. Carefully remove each part from its bar only when that part is to be used.
5. Start with No. 1 and cement it to No. 2, etc.

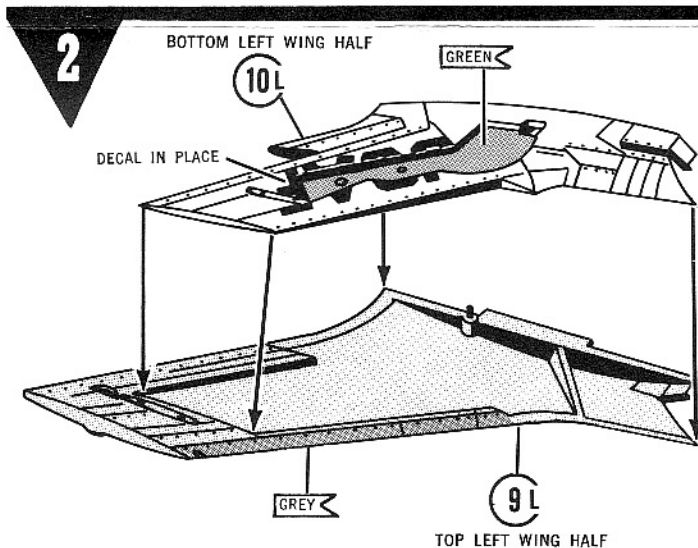
6. With Revell Paint Set Colors, paint all the parts where indicated and allow to dry before assembling. All colors are flagged as shown: **WHITE**
7. Directions for applying decals are on the back of the Decal Sheet.
8. Carefully follow these numbered steps, for ease in building your model.



PAINT ALL DETAILS, AS SHOWN AND LET DRY BEFORE ASSEMBLING

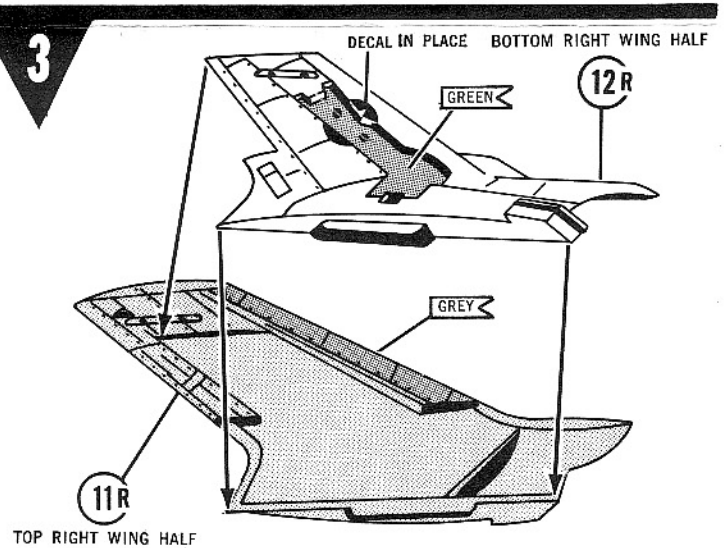
LOCATE, DO NOT CEMENT THE PINS on Part 1 into the SLOTS inside Part 2L, as shown. Next cement Part 3 into place inside Part 2L being sure NO CEMENT TOUCHES Part 1 or it will not move. Cement Part 4 onto Part 5, then cement Part

5 into Part 6R. CAREFULLY cement Parts 2L and 6R together. Next cement Part 7 to the FRONT of Fuselage and cement Part 8 to the REAR of Fuselage, as shown. Apply decals, then set aside to dry.



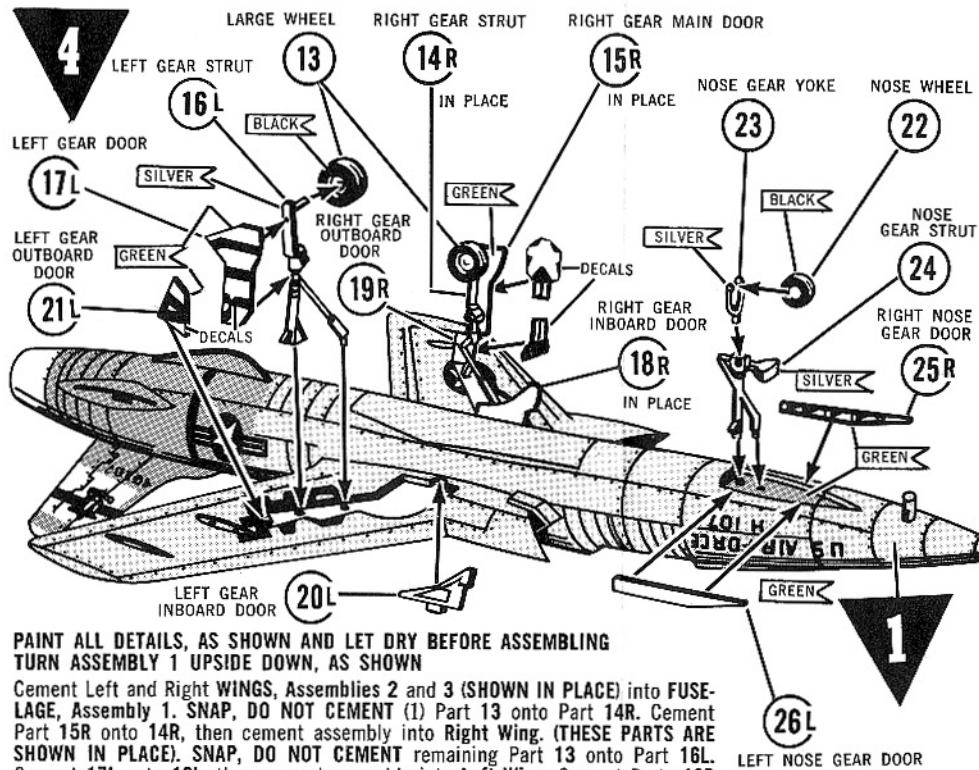
PAINT ALL DETAILS, AS SHOWN AND LET DRY BEFORE ASSEMBLING

Cement Part 9L (MARKED "LH TOP") to Part 10L (MARKED "LH BOTTOM"). Apply Decals, then set aside to dry.



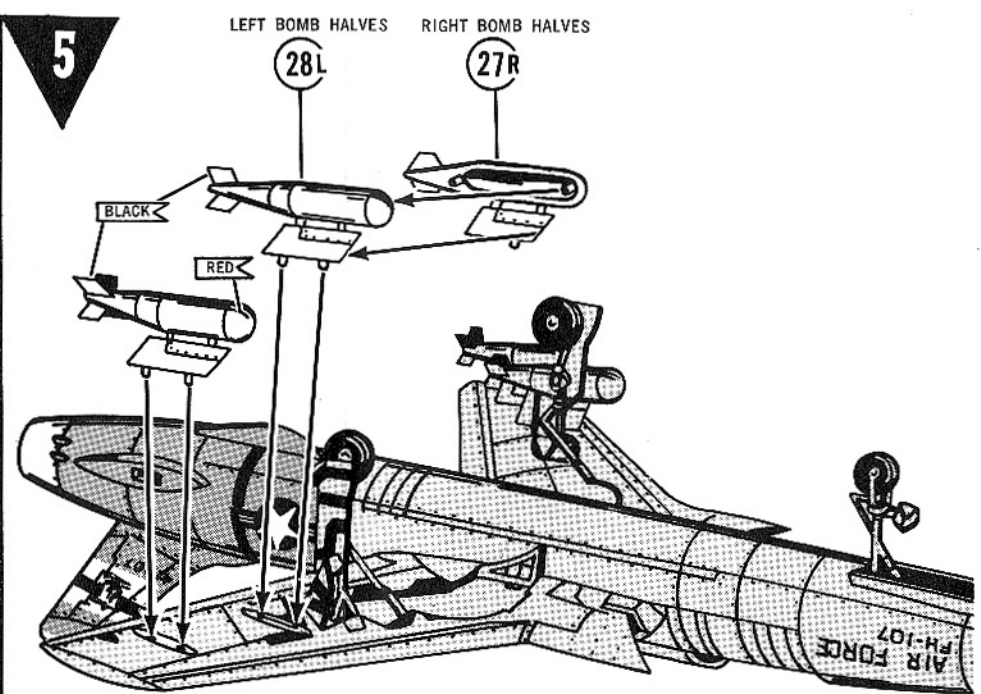
PAINT ALL DETAILS, AS SHOWN AND LET DRY BEFORE ASSEMBLING

Cement Part 11R (MARKED "RH TOP") to Part 12R (MARKED "RH BOTTOM"). Apply Decals, then set aside to dry.



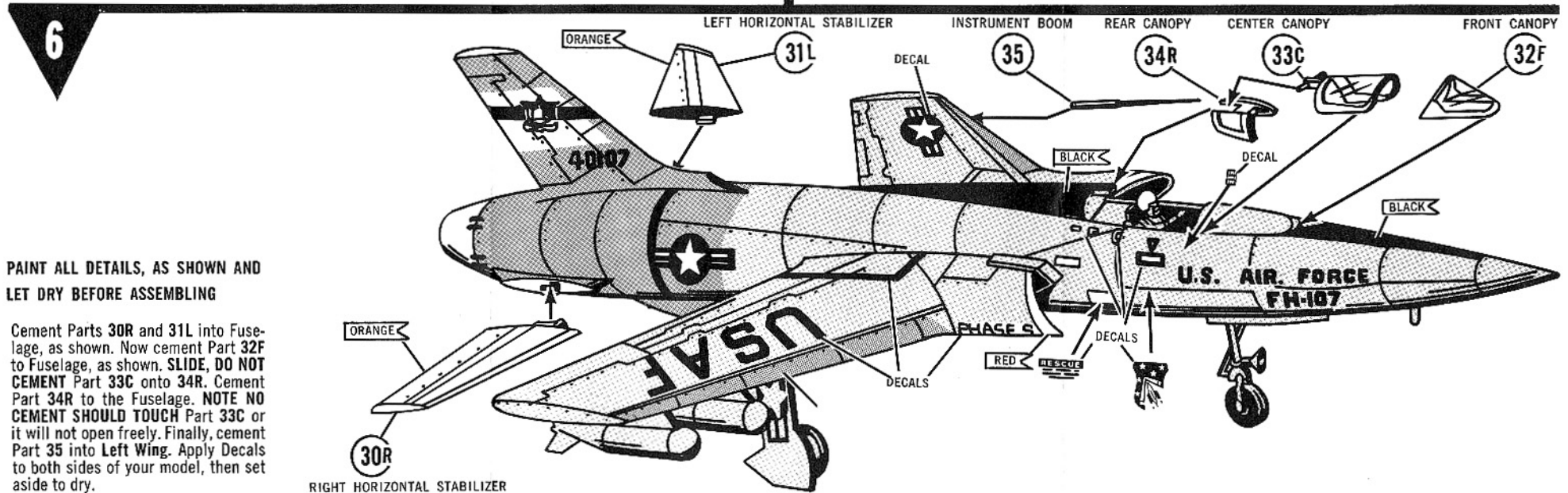
**PAINT ALL DETAILS, AS SHOWN AND LET DRY BEFORE ASSEMBLING
TURN ASSEMBLY 1 UPSIDE DOWN, AS SHOWN**

Cement Left and Right WINGS, Assemblies 2 and 3 (SHOWN IN PLACE) into FUSELAGE, Assembly 1. SNAP, DO NOT CEMENT (1) Part 13 onto Part 14R. Cement Part 15R onto 14R, then cement assembly into Right Wing. (THESE PARTS ARE SHOWN IN PLACE). SNAP, DO NOT CEMENT remaining Part 13 onto Part 16L. Cement 17L onto 16L, then cement assembly into Left Wing. Cement Parts 18R and 19R (SHOWN IN PLACE) into Right Wing. Cement Parts 20L and 21L into Left Wing, as shown. Now SNAP, DO NOT CEMENT Part 22 into 23. Cement Part 23 onto Part 24, then cement assembly into Place, as shown. Cement Parts 25R and 26L onto Fuselage, as shown. Apply DECALS as shown, and set aside to dry.



PAINT ALL DETAILS, AS SHOWN AND LET DRY BEFORE ASSEMBLING

Cement Parts 27R and 28L together. MAKE (4) SETS. Cement Completed Bombs onto BOTH WINGS, as shown.



PAINT ALL DETAILS, AS SHOWN AND LET DRY BEFORE ASSEMBLING

Cement Parts 30R and 31L into Fuselage, as shown. Now cement Part 32F to Fuselage, as shown. SLIDE, DO NOT CEMENT Part 33C onto 34R. Cement Part 34R to the Fuselage. NOTE NO CEMENT SHOULD TOUCH Part 33C or it will not open freely. Finally, cement Part 35 into Left Wing. Apply Decals to both sides of your model, then set aside to dry.

RIGHT HORIZONTAL STABILIZER

40107 40107

RIGHT TAIL LEFT

USAF

TOP RIGHT WING

USAF

BOTTOM LEFT WING

PHASE 5



115

LEFT WING DOORS

U.S. AIR FORCE

PUSH HERE LIFT &

FH-107

LEFT FUSELAGE

EJECTION SEAT

RESCUE



RIGHT WING
BOTTOM

RESCUE

DANGER

EJECTION SEAT

U.S. AIR FORCE

LEFT FUS

00



LEFT FUS.

RESCUE



RIGHT FUS.

DANGER

FH-107

RIGHT FUSELAGE



TOP LEFT WING

TOP RT. WING

TOP LT. WING

PHASE 5



RIGHT FUSELAGE

PUSH HERE LIFT &

RT