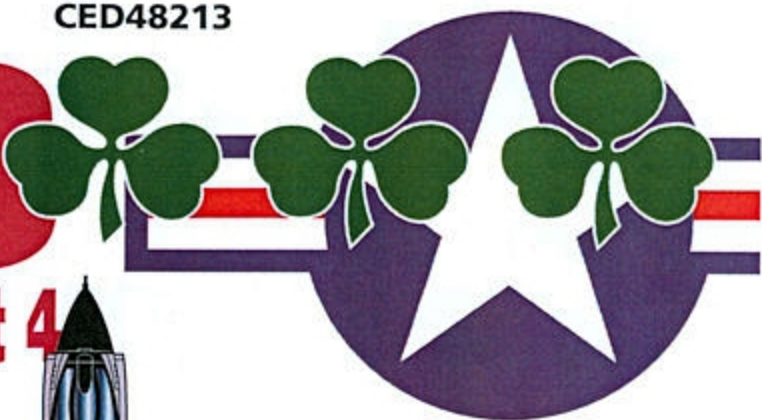


LIMITED EDITION!

CED48213

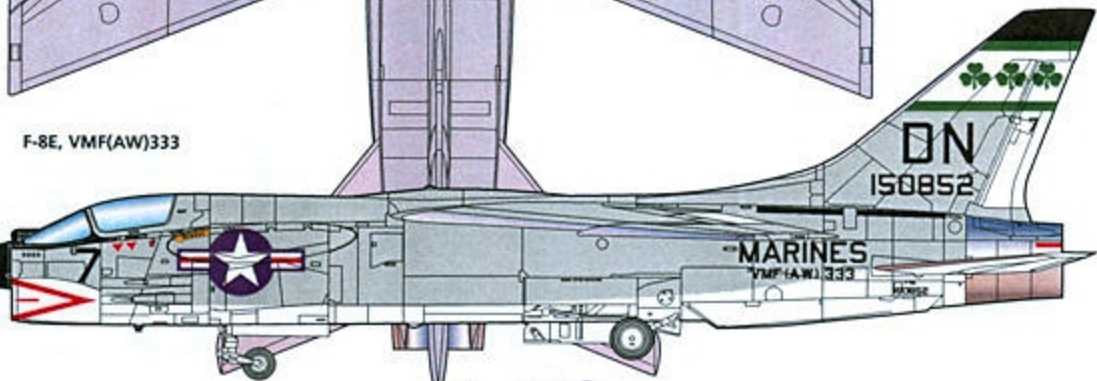
F-8 Crusader Part 4



F-8E(FN) French Navy



F-8E, VMF(AW)333



Recommended kit:
Hasegawa F-8
Monogram F-8E

**Cutting
Edge**

®

P.O. Box 3956
Merrifield, VA 22116
USA

MODELWORKS www.meteorprod.com

**Cutting
Edge**

MODELWORKS

CED48213

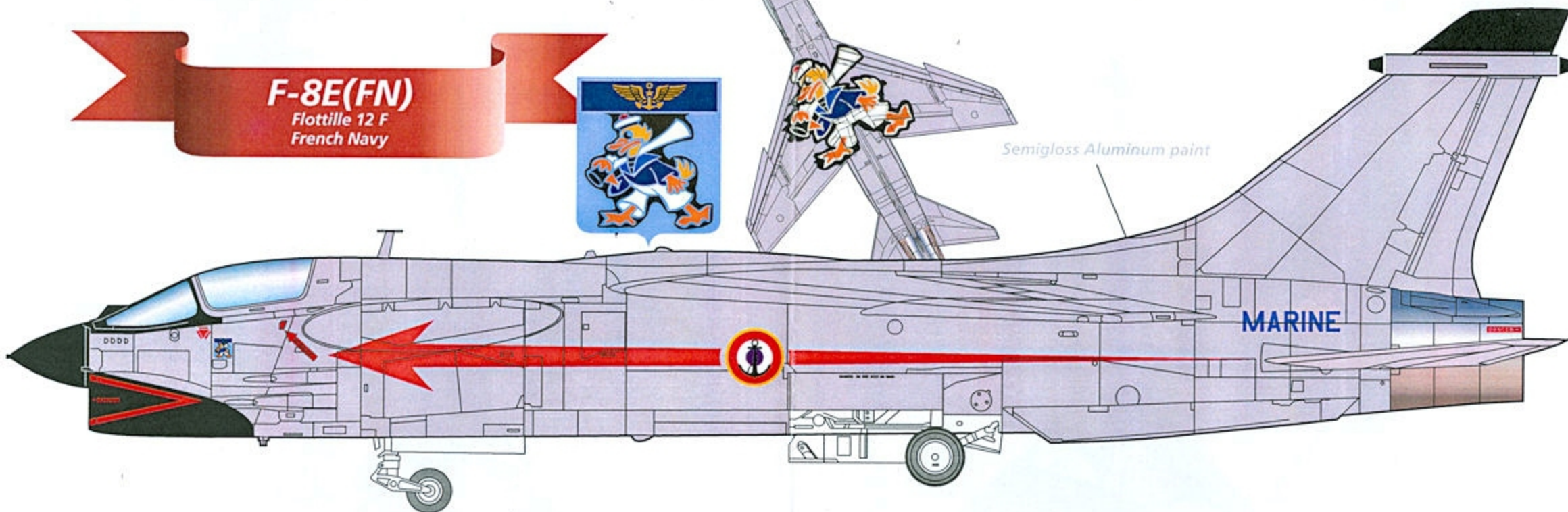
F-8 Crusader Part 4

F-8E(FN)

Flottille 12 F
French Navy



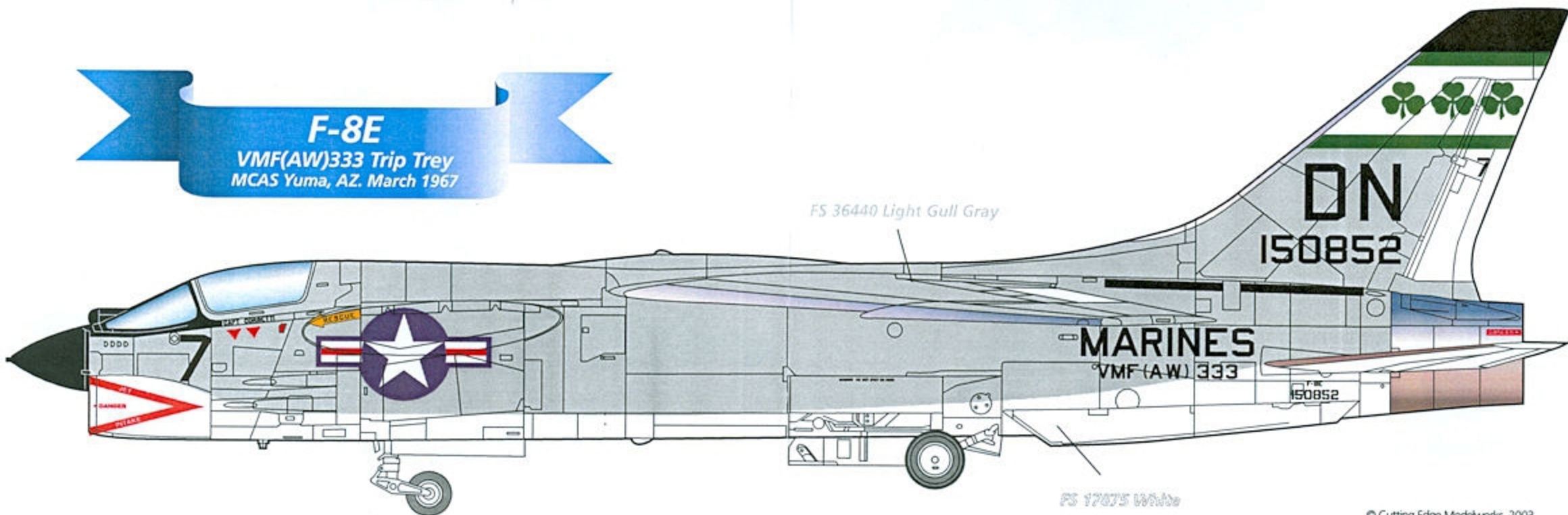
Semigloss Aluminum paint



F-8E

VMF(AW)333 Trip Trey
MCAS Yuma, AZ. March 1967

FS 36440 Light Gull Gray



FS 17875 White



...available from

Meteor

Productions inc.

P.O. Box 3956, Merrifield, VA 22116 USA

☎ 703/971-0500 FAX 703/971-8111

www.meteorprod.com

Write, call, or visit our home page to order our 120+ page catalog of decals, kits, conversions, tools, books, magazines, etc., and we'll send it to you right away!

© Cutting Edge Modelworks, 2003



Duck

- The duck on the upper wing has a black stippled outline to it. Before applying the decal, cut out the supplied template and use a paint brush (not airbrush) roughly stipple black paint as shown on the top view illustration. When finished, allow paint to dry and apply decal.

150852

- Although Trip Trey never took their Crusaders to Southeast Asia, they flew many ground attack training sorties at MCAS Yuma and other locations. Photos of Trip Trey F-8s often show heavy gunsmoke staining streaming back from the gun ports, and pre-mission photos show heavy bomb loads.

Applying the Decals

You probably already know all this stuff, so feel free to use your regular process; however, if you're new to aftermarket decals, here goes:

- Generally, use the Microscale Finishing System. We don't recommend extremely strong decal solvents such as Solvaset.
- Your model must have a smooth, glossy surface, as decals won't adhere well to matte surfaces. Use gloss paints or your favorite clear gloss overspray over matte or semigloss paint.
- Cut each subject out without trimming off the slight excess film (this helps the decal film disappear when dry).
- Put the decal in warm water that has a drop or two of liquid dishwashing soap or photo-flo for 10 seconds.
- When the decal will slide off the backing paper without forcing it, apply it to the proper position on your model. Slide the backing paper out from underneath.
- Gently blot off excess water and smooth out bubbles under the decal surface. If you wish, carefully brush on a mild decal softener such as Micro-Sol.
- When all decals are completely dry, gently wash off all excess decal adhesive.
- Finally, overcoat your model with a good quality gloss coat, followed by your choice of matte or eggshell clear topcoat.

FS 595 Color Cross Reference

- FS 6440 Xtracolor X137, Modelmaster 1729/1730, Gunze Sangyo H315/325, Pro Modeler 88-0033, Polly Scale 505326
- FS 7875 Any white paint

Bibliography

Original photos.

F-8 in action by Jim Sullivan. Squadron/Signal Publications, 1985.