

ATTENTION



UPOZORNĚNÍ



ACHTUNG



ATTENTION



注意



Carefully read instruction sheet before assembling. When you use glue or paint, do not use near open flame and use in well ventilated room. Keep out of reach of small children. Children must not be allowed to suck any part, or pull vinyl bag over the head.



Před započatím stavby si pečlivě prostudujte stavební návod. Při používání barev a lepidel pracujte v dobře větrané místnosti. Lepidla ani barvy nepoužívejte v blízkosti otevřeného ohně. Model není určen malým dětem, mohlo by dojít k požití drobných dílů.

INSTRUCTION SIGNS \* INSTR. SYMBOLS \* INSTRUKTION SINNBILDEN \* SYMBOLES \* 記号の説明

OPTIONAL  
VOLBABEND  
OHNOUSAND  
BROUSITOPEN HOLE  
VYVRTAT OTVORSYMETRICAL ASSEMBLY  
SYMETRICKÁ MONTÁŽREMOVE  
ODRÍZNOUTREVERSE SIDE  
OTOČITAPPLY EDUARD MASK  
AND PAINT  
POUŽIT EDUARD MASK  
NABARVIT

PARTS



DÍLY



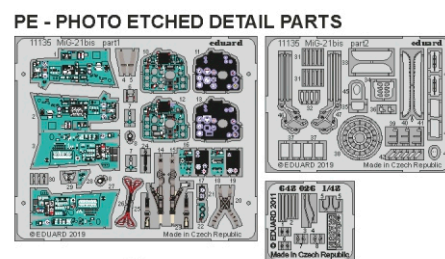
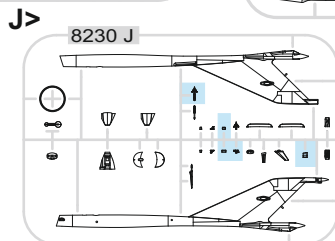
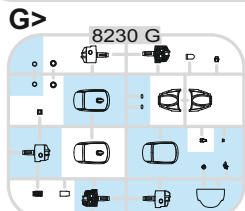
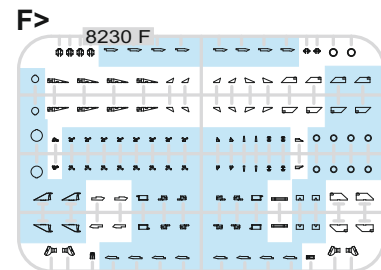
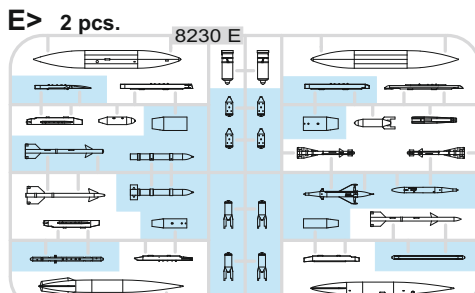
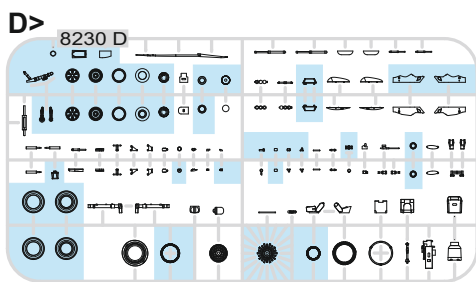
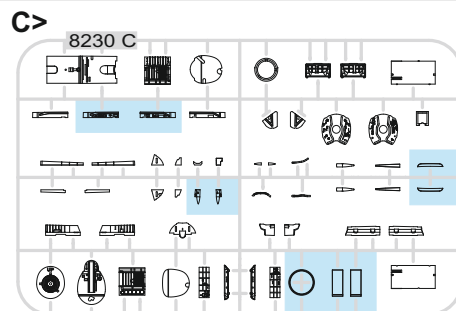
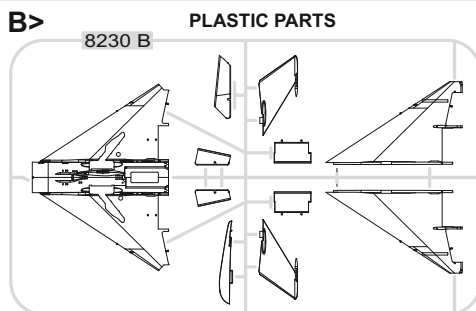
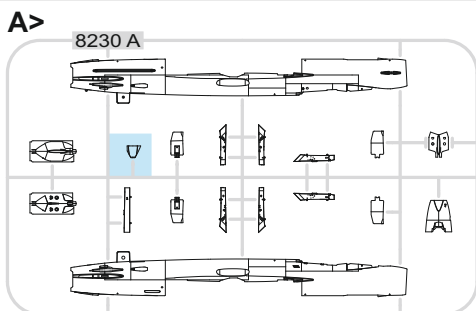
TEILE



PIÈCES



部品



RP - RESIN PARTS



R1 2 pcs.



R2



R3



R4 2 pcs.



R6



R7



R8



R9



R10



R11

-Parts not for use. -Teile werden nicht verwendet. -Pièces à ne pas utiliser. -Tyto díly nepoužívejte při stavbě. - 使用しない部品

COLOURS



BARVY



FARBEN



PEINTURE



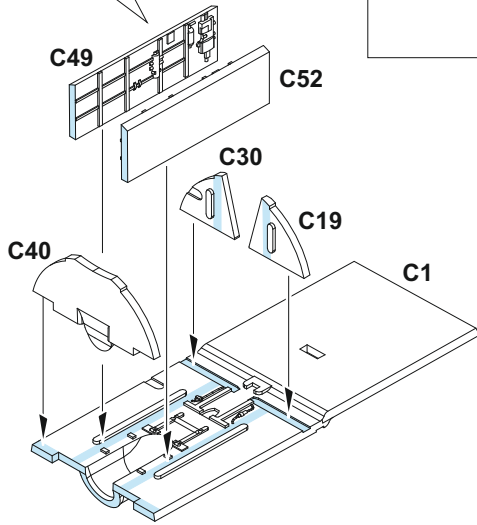
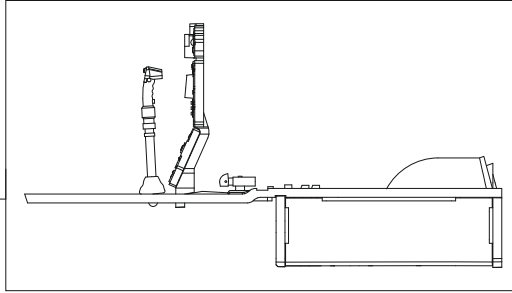
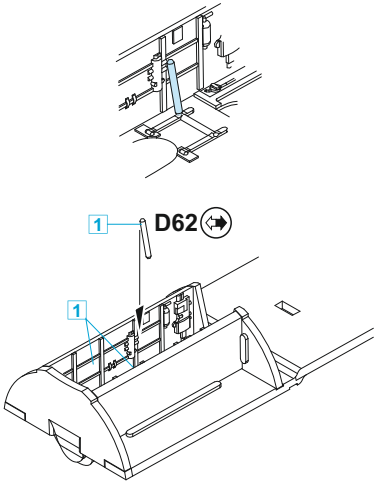
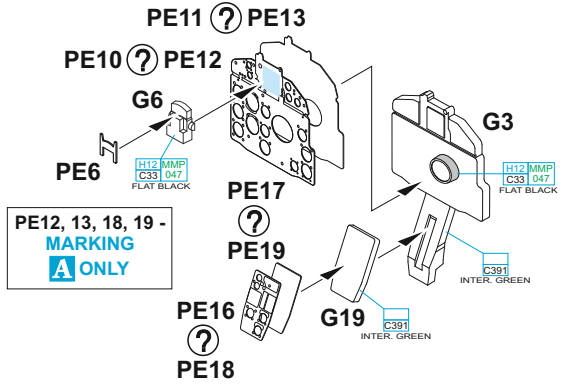
色

GSI Creos (GUNZE)		MISSION MODELS	
AQUEOUS	Mr.COLOR	PAINTS	
H1	C1	MMP-001	WHITE
H2	C2	MMP-047	BLACK
H3	C3	MMP-003	RED
H4	C4	MMP-007	YELLOW
H5	C5	MMP-048	BLUE
H7	C7	MMP-002	BROWN
H8	C8		SILVER
H11	C62	MMP-001	FLAT WHITE
H12	C33	MMP-047	FLAT BLACK
H26	C66		BRIGHT GREEN
H27	C44		TAN
H47	C41	MMP-012	RED BROWN
H51	C11	MMP-063	LIGHT GULL GRAY
H53	C13		NEUTRAL GRAY
H58	C27	MMP-059	INTERIOR GREEN
H67	C115	MMP-057	LIGHT BLUE
H70	C60	MMP-056	GRAY
H72	C22	MMP-078	DARK EARTH
H77	C137	MMP-040	TIRE BLACK
H81	C55	MMP-023	KHAKI
H82	C32		DARK GRAY
H84	C42		MAHOGANY
H90	C47		CLEAR RED

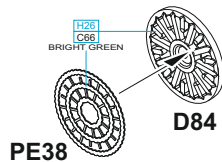
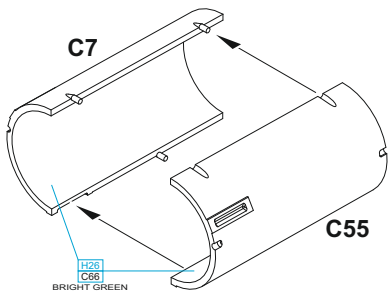
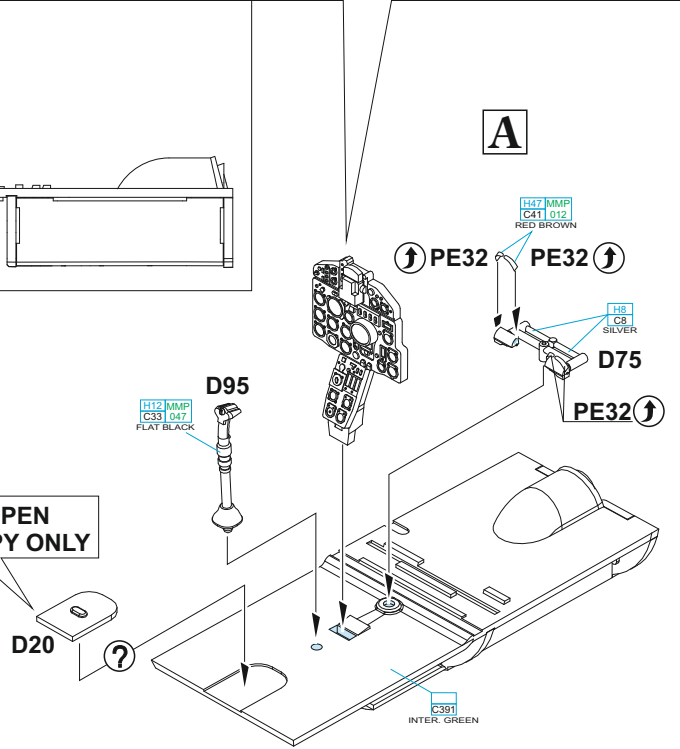
GSI Creos (GUNZE)		MISSION MODELS	
AQUEOUS	Mr.COLOR	PAINTS	
H94	C138		CLEAR GREEN
H302	C302		GREEN
H303	C303	MMP-066	GREEN
H305	C305	MMP-084	GRAY
H306	C306	MMP-118	MEDIUM GRAY
H308	C308	MMP-073	GRAY
H310	C310	MMP-060	BROWN
H318	C318	MMP-070	RADOME
H332	C332		GRAYISH BLUE
H337	C337		LIGHT AIRCRAFT GRAY
H418	C118	MMP-055	LIGHT BLUE
	C19		SANDY BROWN
	C136	MMP-032	RUSSIAN GREEN
	C391		INTERIOR TURQUISE GREEN
Mr.METAL COLOR		METALLICS	
MC213		MMM-006	STEEL
MC214		MMM-001	DARK IRON
MC218		MMM-003	ALUMINIUM
Mr.COLOR SUPER METALLIC		METALLICS	
SM206		MMC-001	CHROME SILVER
Mr.COLOR GX		METALLICS	
GX05			SUSIE BLUE

- 1** = H11 MMP C62 001 - MARKING **A**  
FLAT WHITE
- H51 MMP C11 063 - MARKINGS **B;D;E;F;G**  
LIGHT GULL GRAY
- H57 MMP C15 057 - MARKING **C**  
LIGHT BLUE

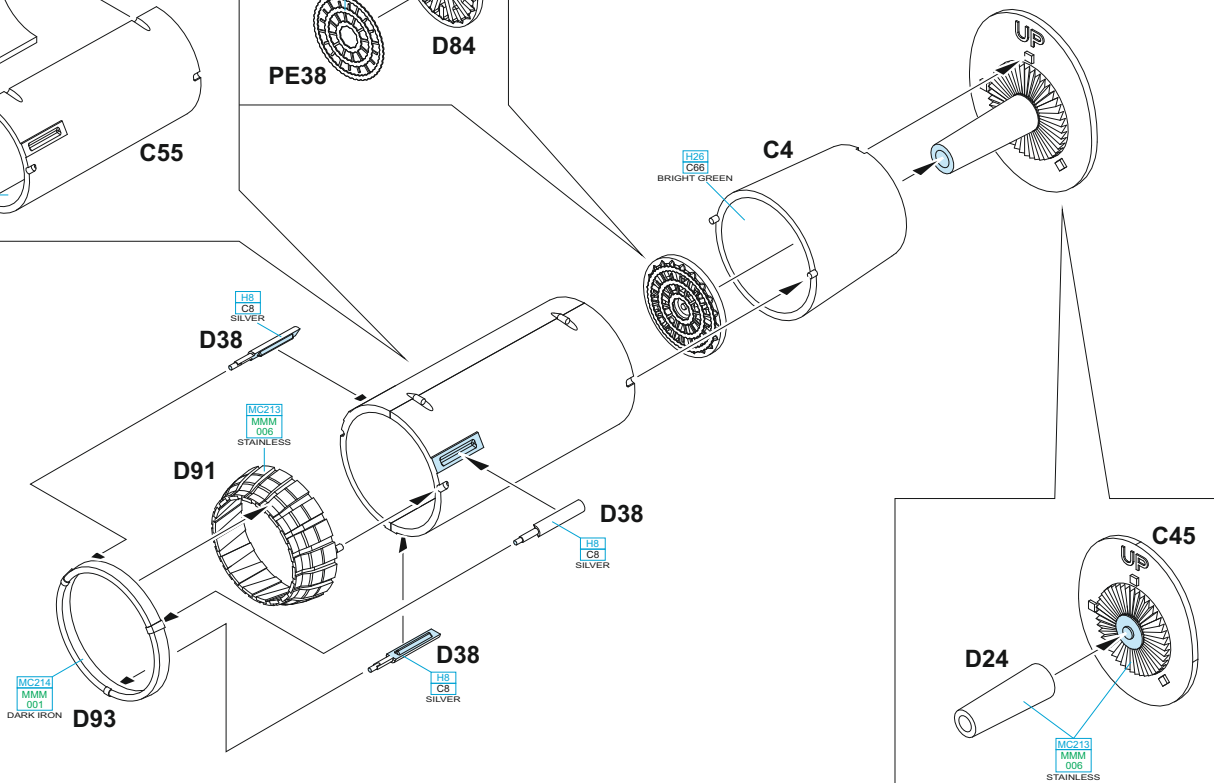
OPTIONAL:  
 decal 99, 100 ? decal 105, 106  
 decal 105, 106 -  
 MARKING **A** ONLY



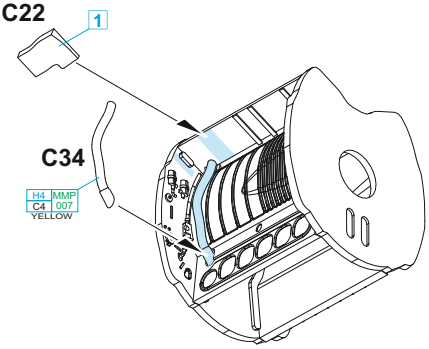
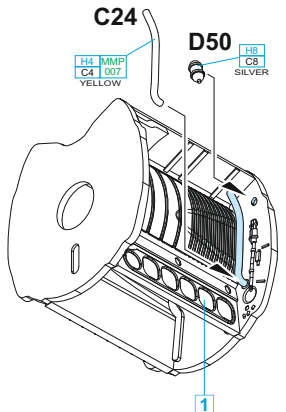
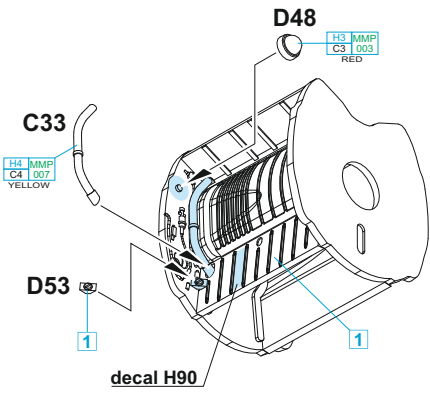
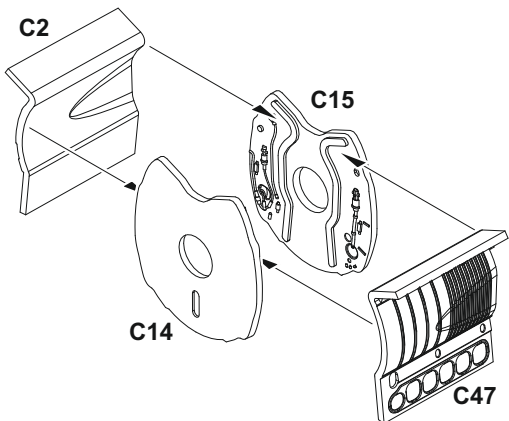
D20 - OPEN  
CANOPY ONLY



**B**



C

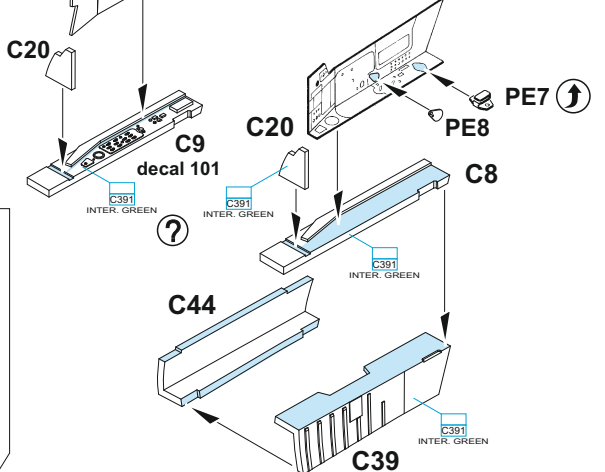


decal 104 - MARKING A ONLY

decal 98 ? decal 104 plastic

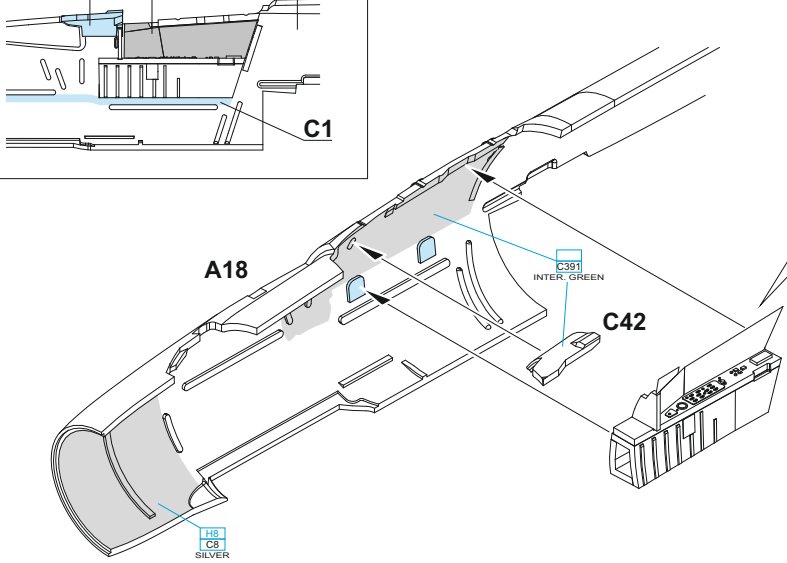
PE3, - MARKING A ONLY

PE3 (up arrow) ? PE27



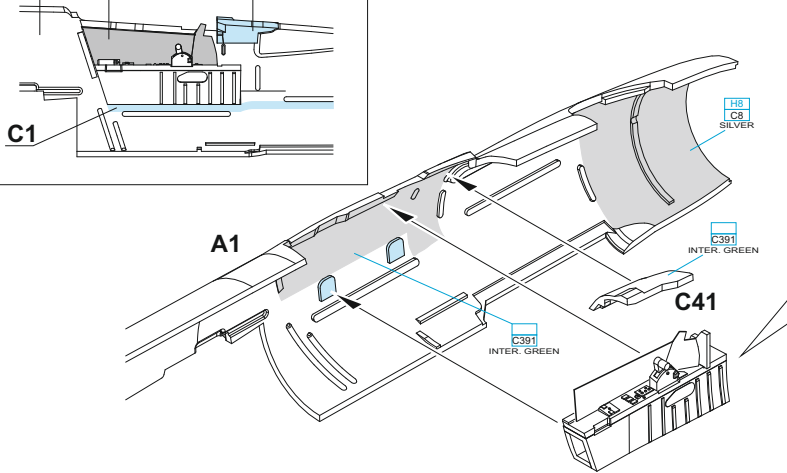
C42 PE3 ? PE27 A18

D



A1 PE1 ? PE2 C41

E

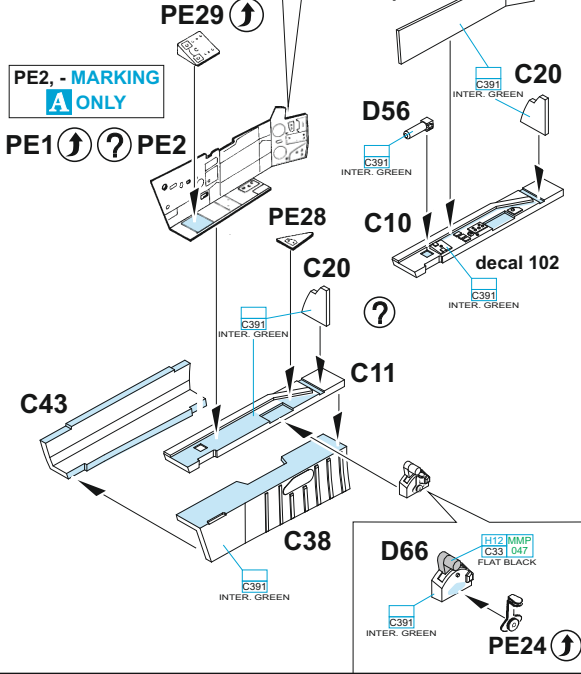


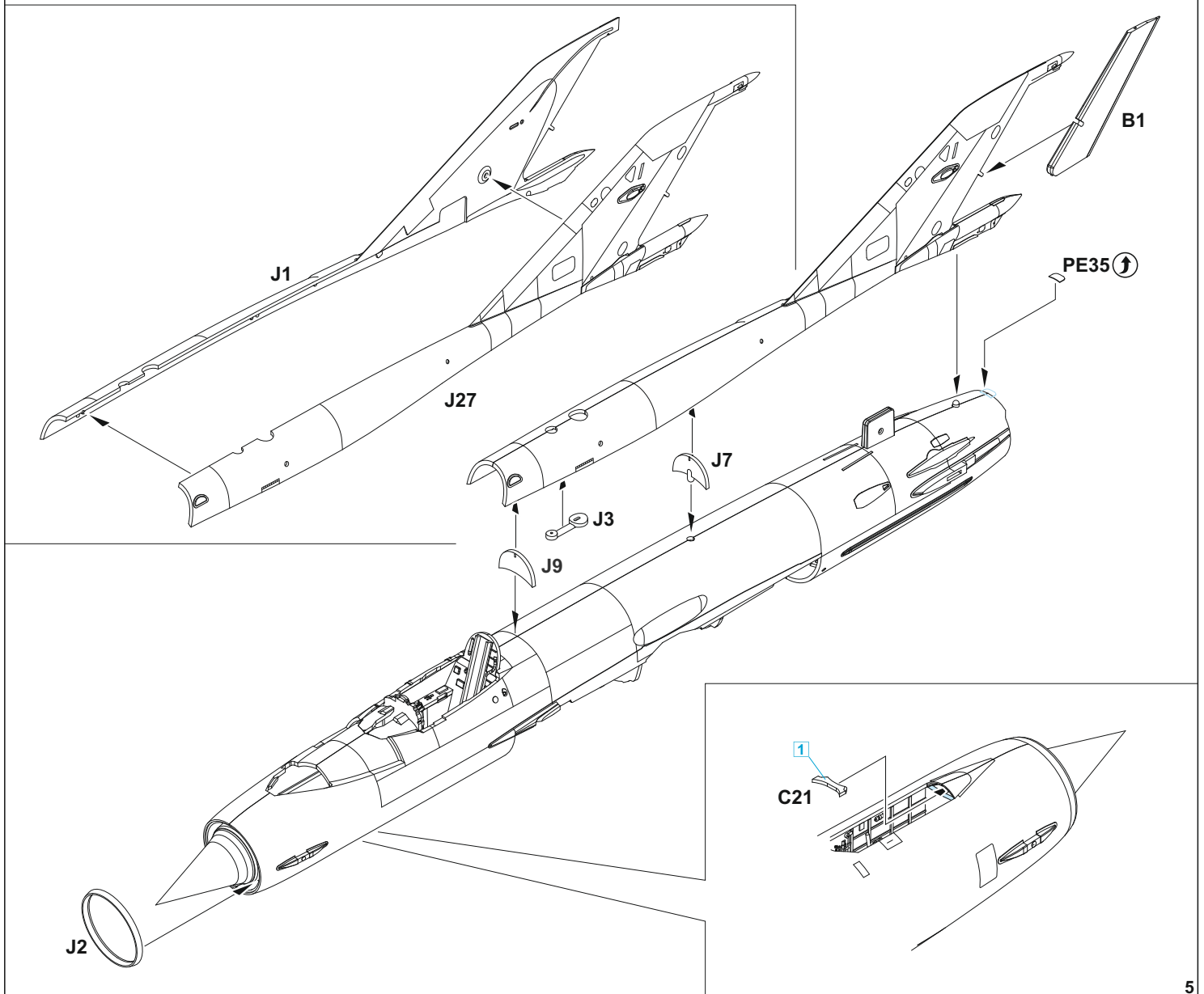
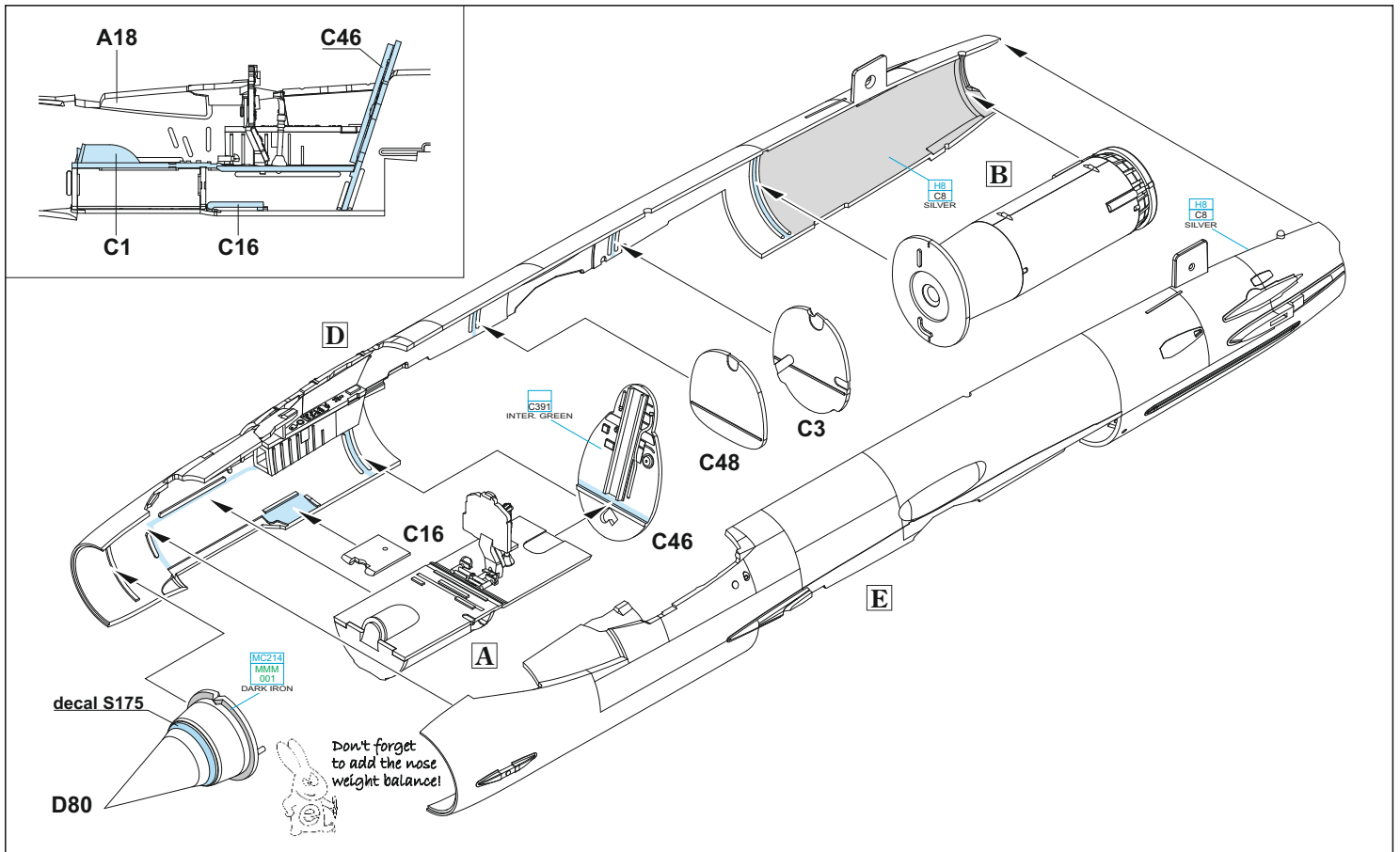
PE1 ? PE2

PE30 (H12 MMP C33 047 FLAT BLACK)

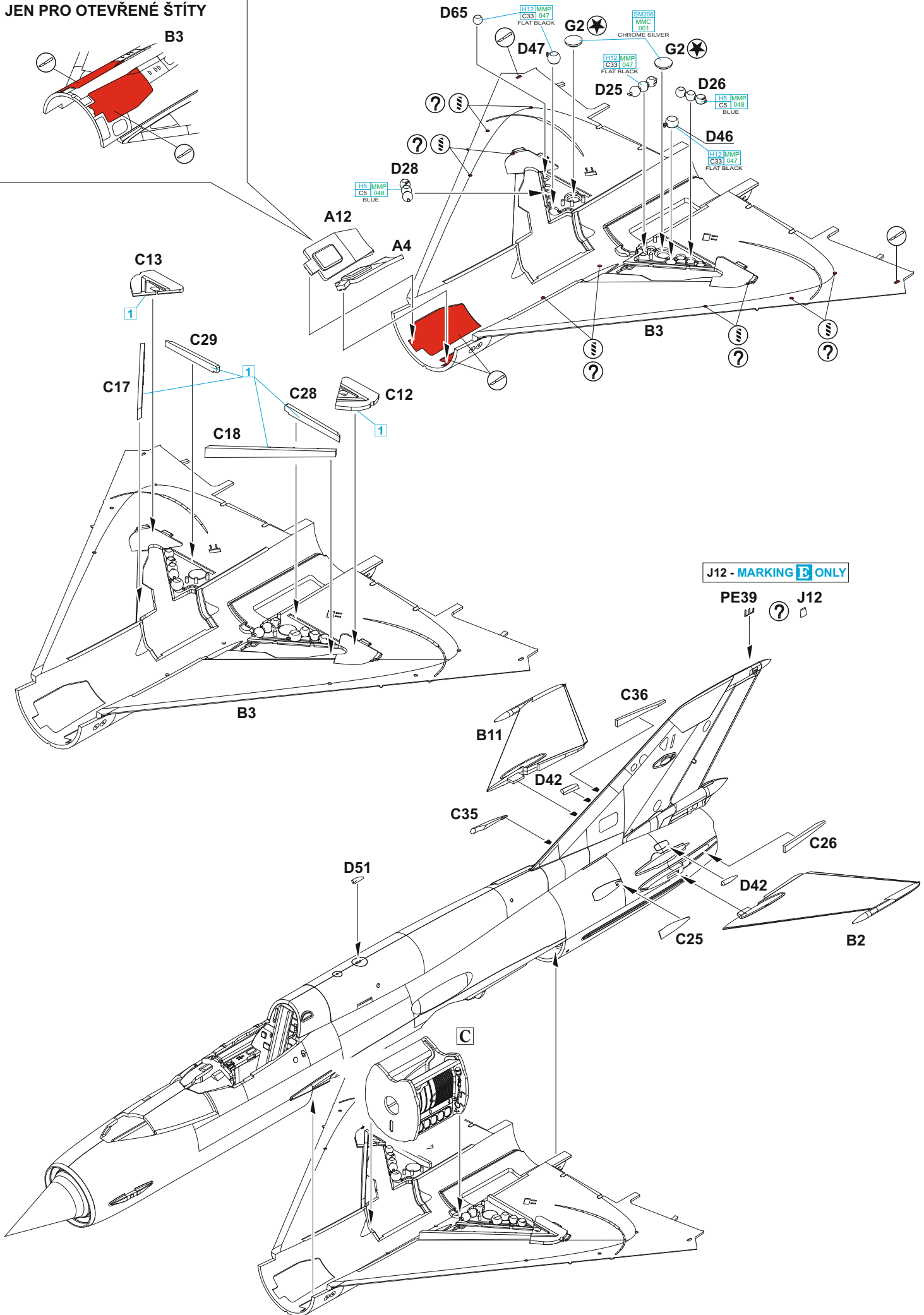
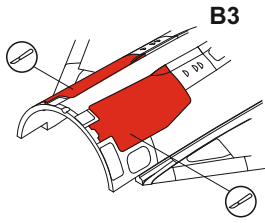
decal 103 - MARKING A ONLY

decal 97 ? decal 103 plastic

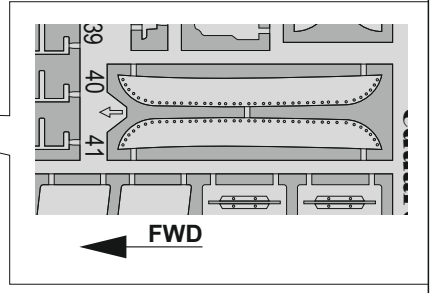
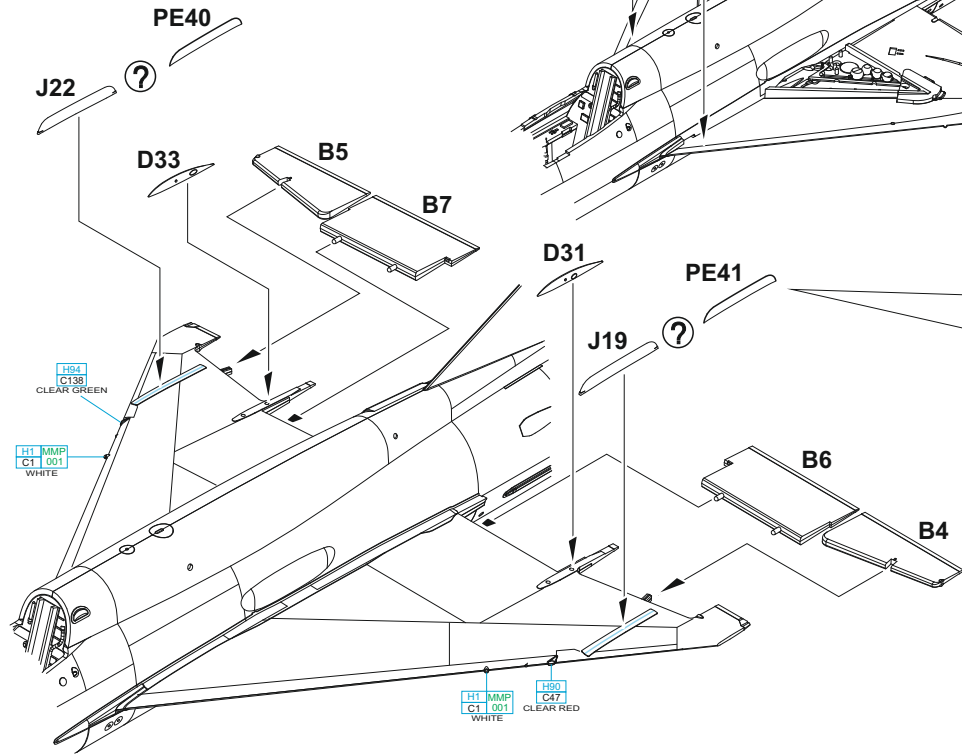
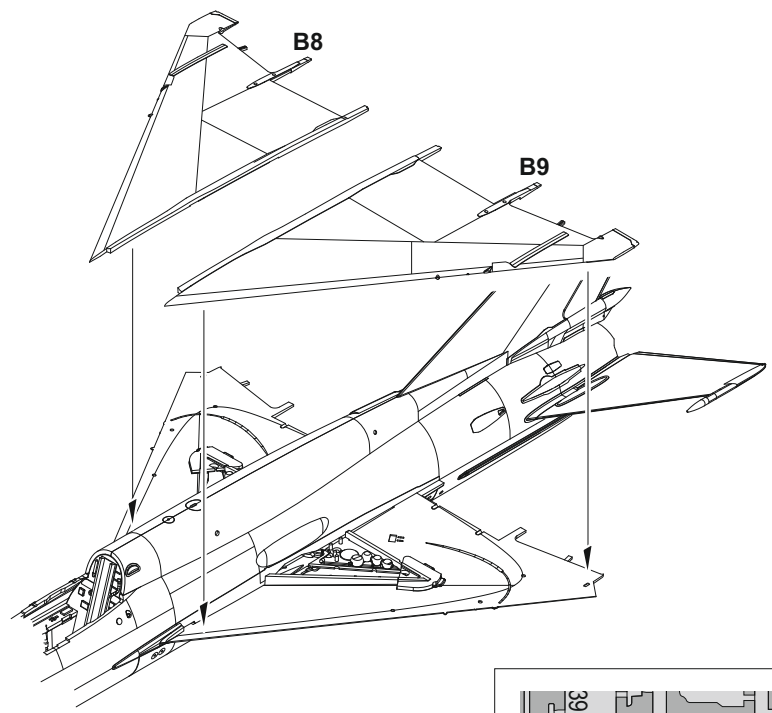




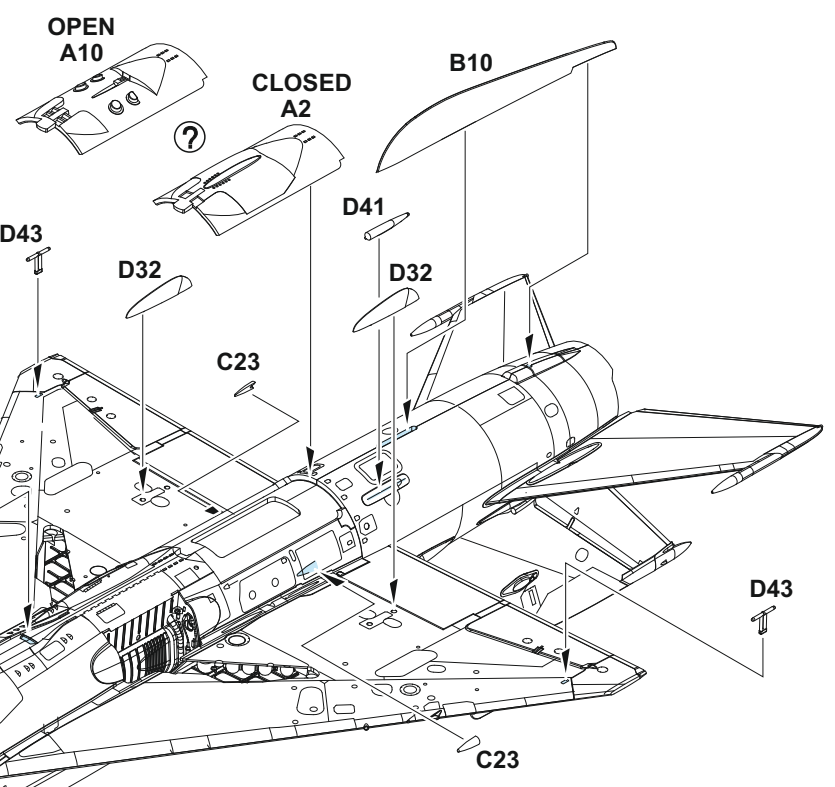
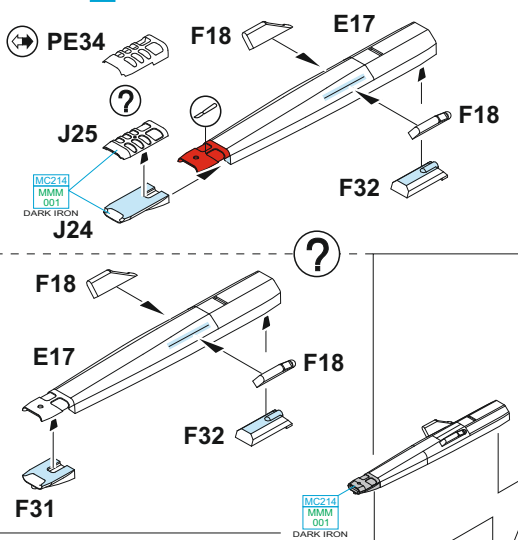
FOR OPEN AIR BRAKES ONLY  
JEN PRO OTEVŘENÉ ŠTÍTY



- 2** = 337  
C37 - MARKING **A**  
GRAYISH BLUE
  - 151  
C11 MMP 083 - MARKINGS **B;D;E;F;G**  
LIGHT GULL GRAY
  - 157  
C15 MMP 057 - MARKING **C**  
LIGHT BLUE
- 
- 308  
C308 MMP 073 - MARKING **A**  
GRAY
  - 157  
C15 MMP 057 - MARKINGS **B;C**  
LIGHT BLUE
  - 151  
C11 MMP 083 - MARKINGS **D;E;F;G**  
LIGHT GULL GRAY
- 
- 26  
C66 - MARKINGS **A;B;D;E;F;G**  
BRIGHT GREEN
  - 12  
C2 MMP 047 - MARKING **C**  
BLACK

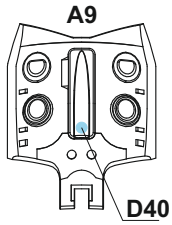


**MARKING A ONLY**

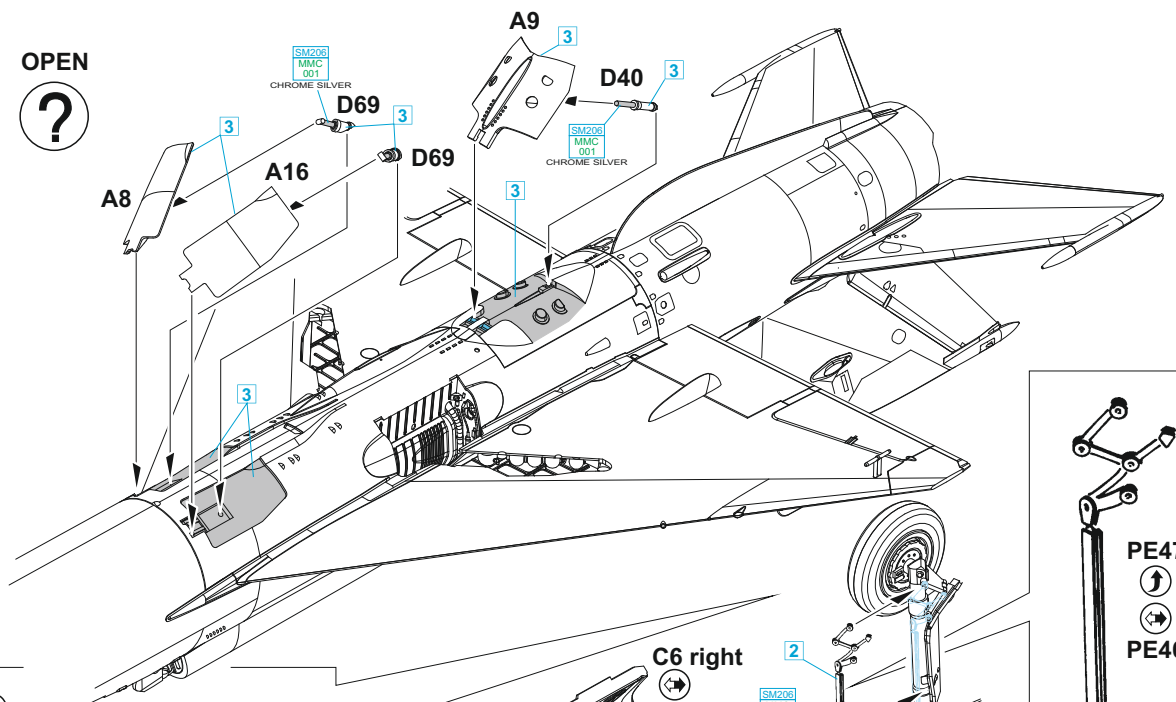


**J13 - MARKING A ONLY**

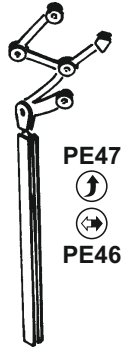




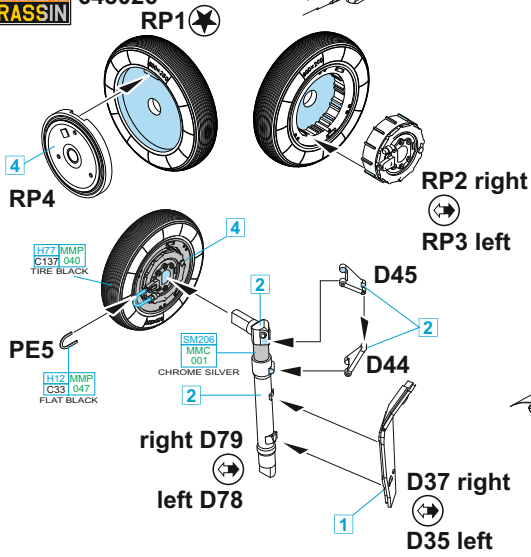
OPEN  
?



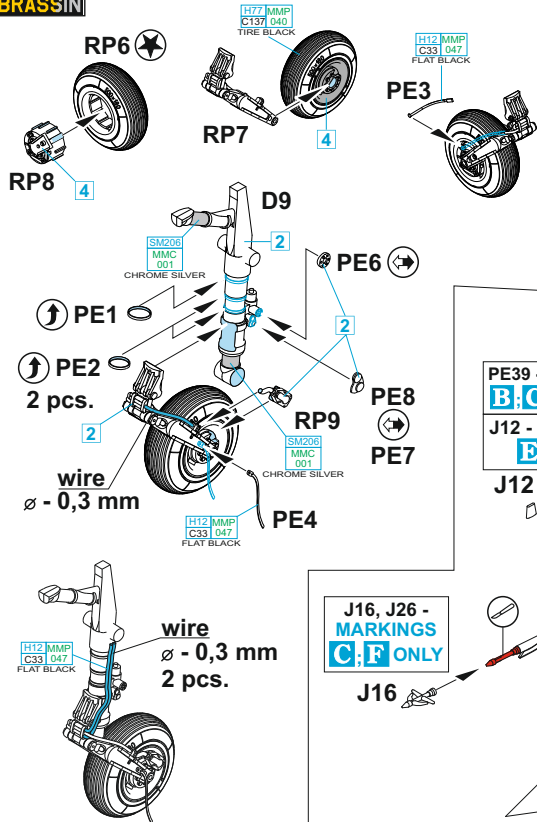
28°



eduard BRASSIN 648026

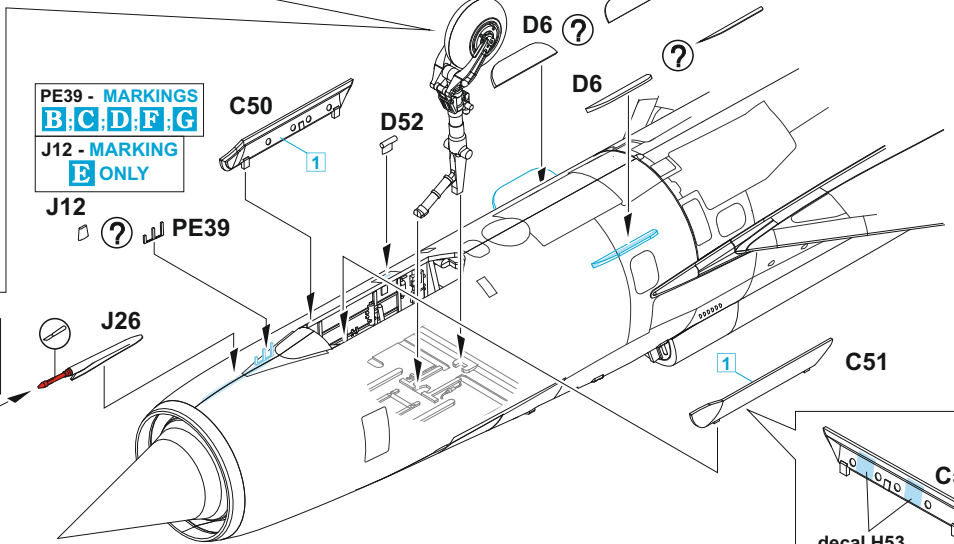
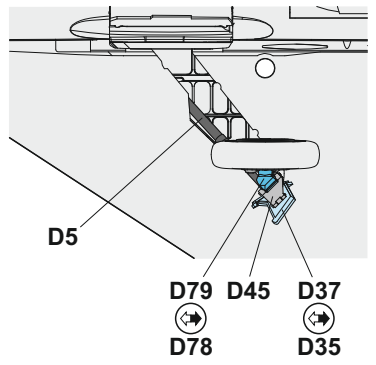
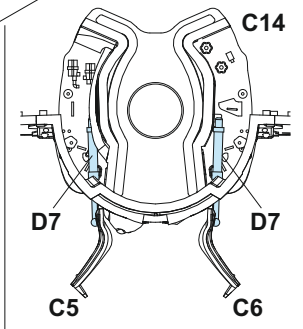
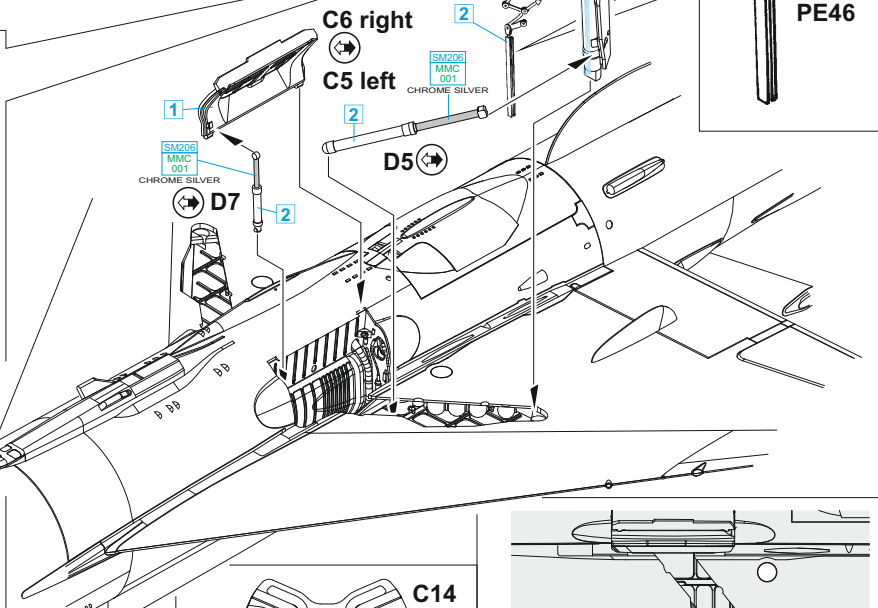


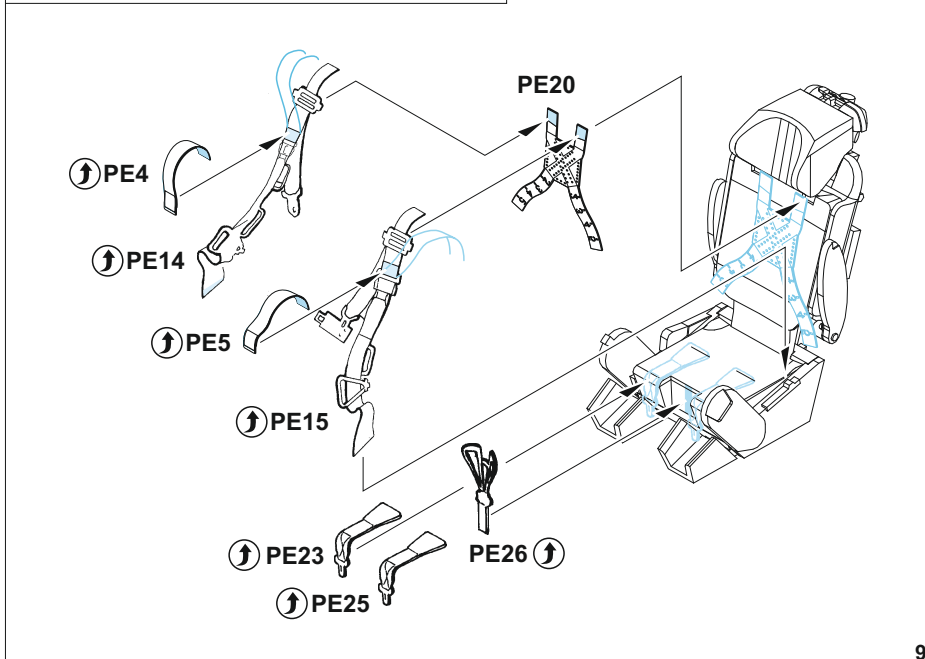
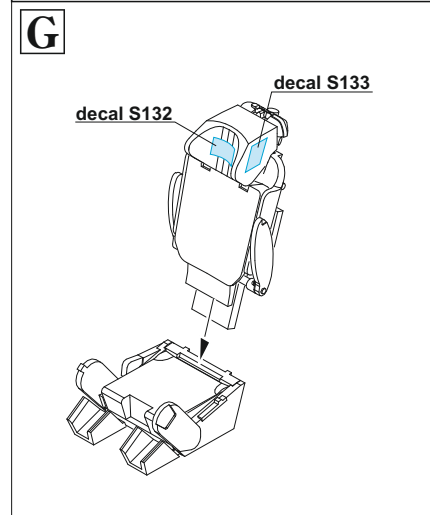
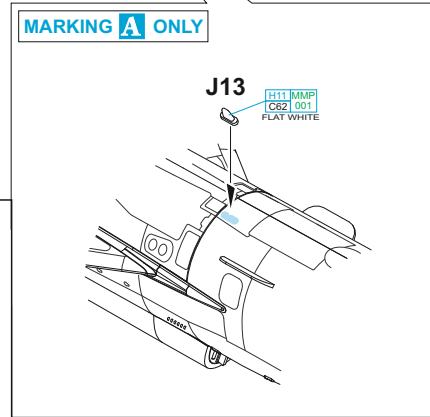
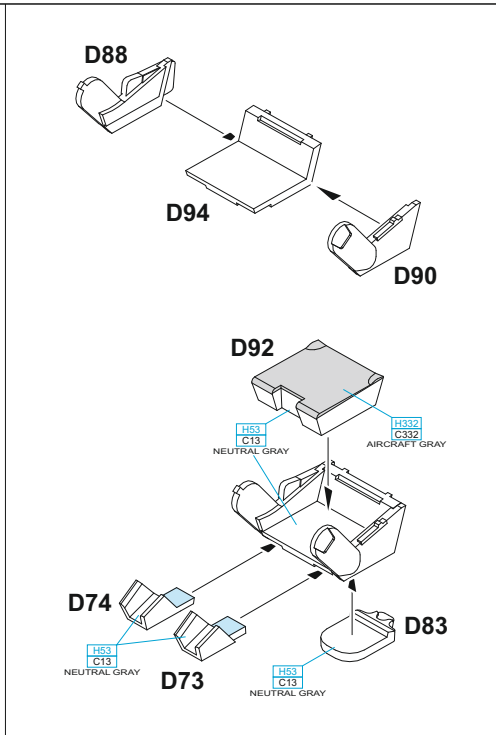
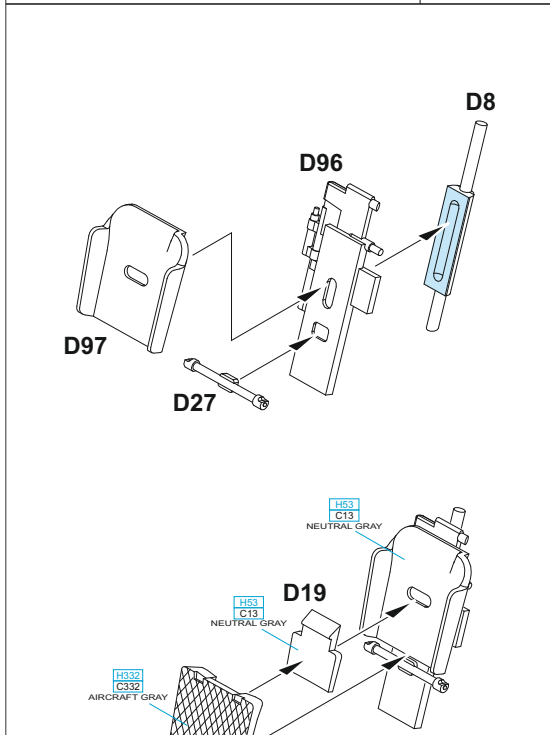
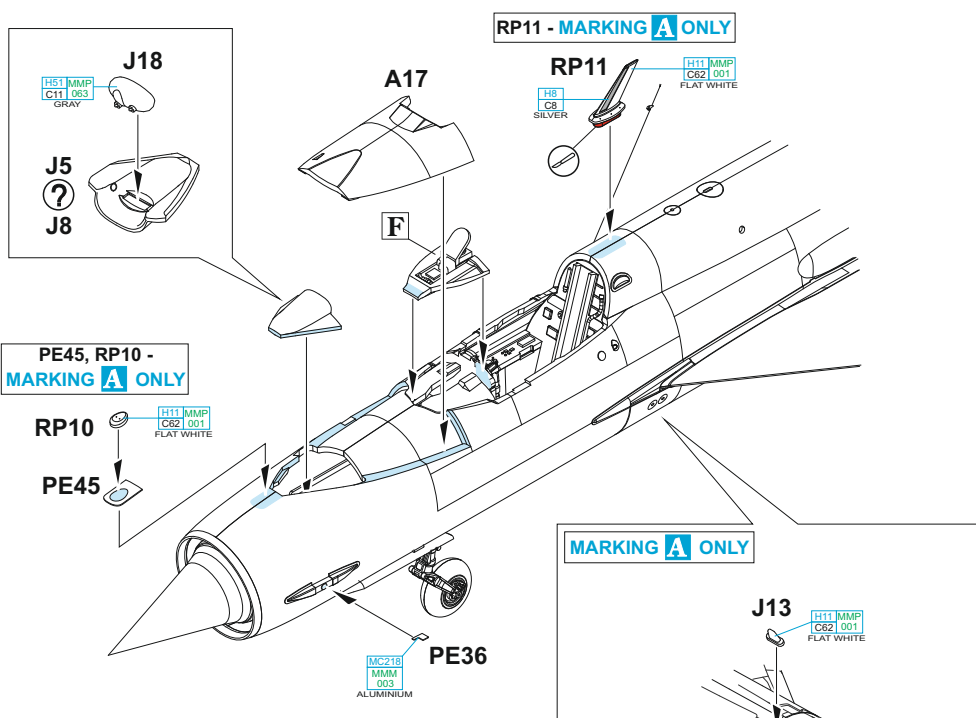
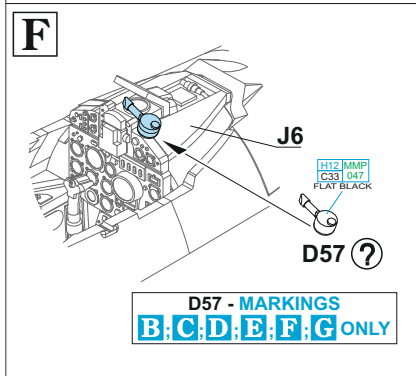
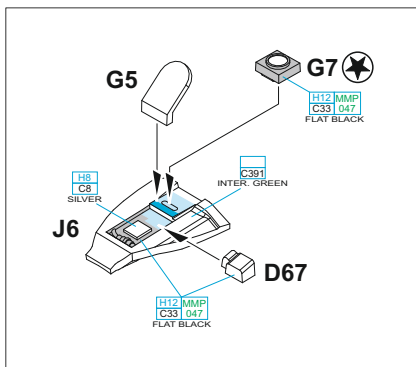
eduard BRASSIN 648026



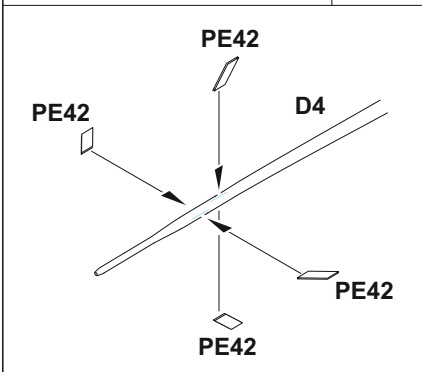
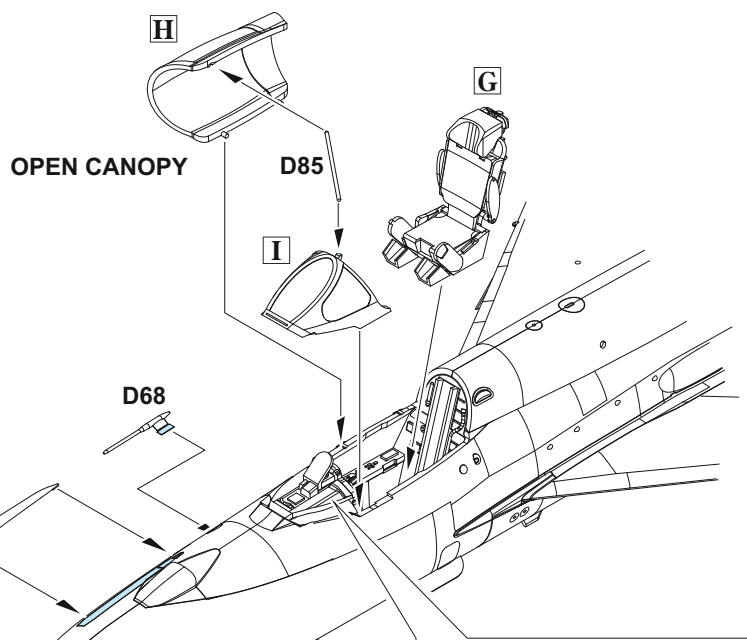
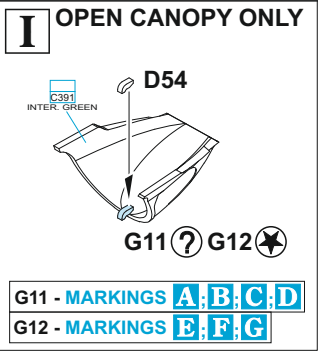
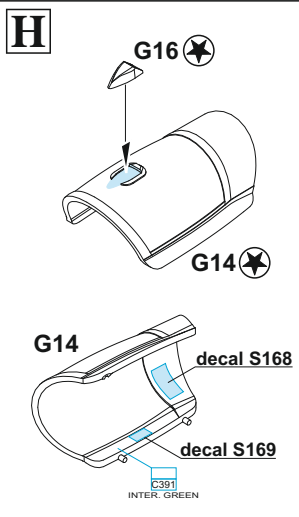
PE39 - MARKINGS  
B, C, D, F, G  
J12 - MARKING  
E ONLY

J16, J26 -  
MARKINGS  
C, F ONLY

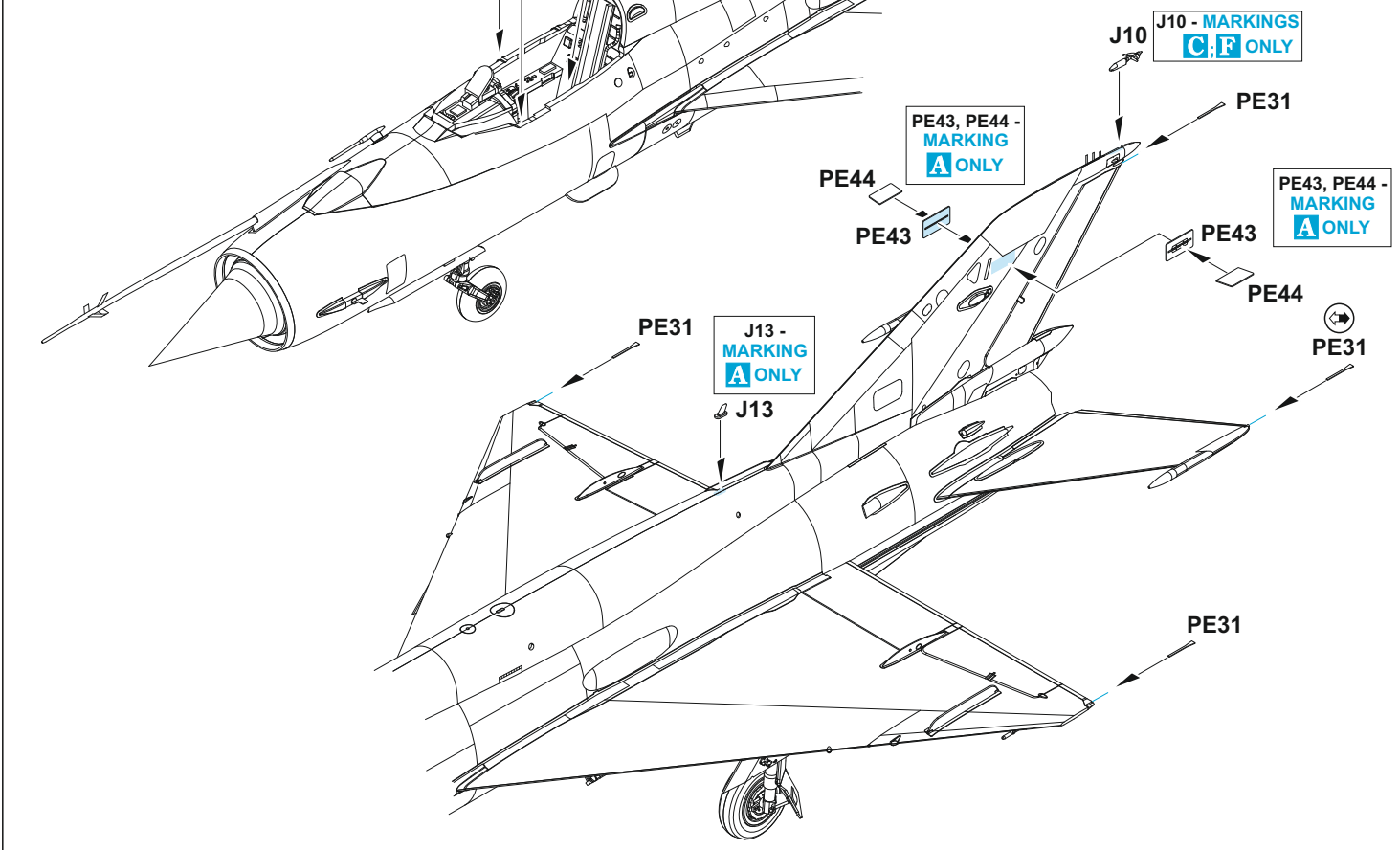
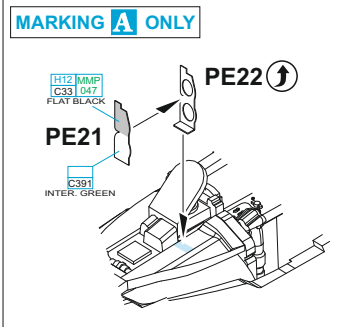
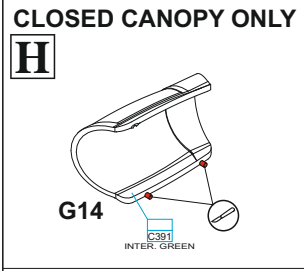


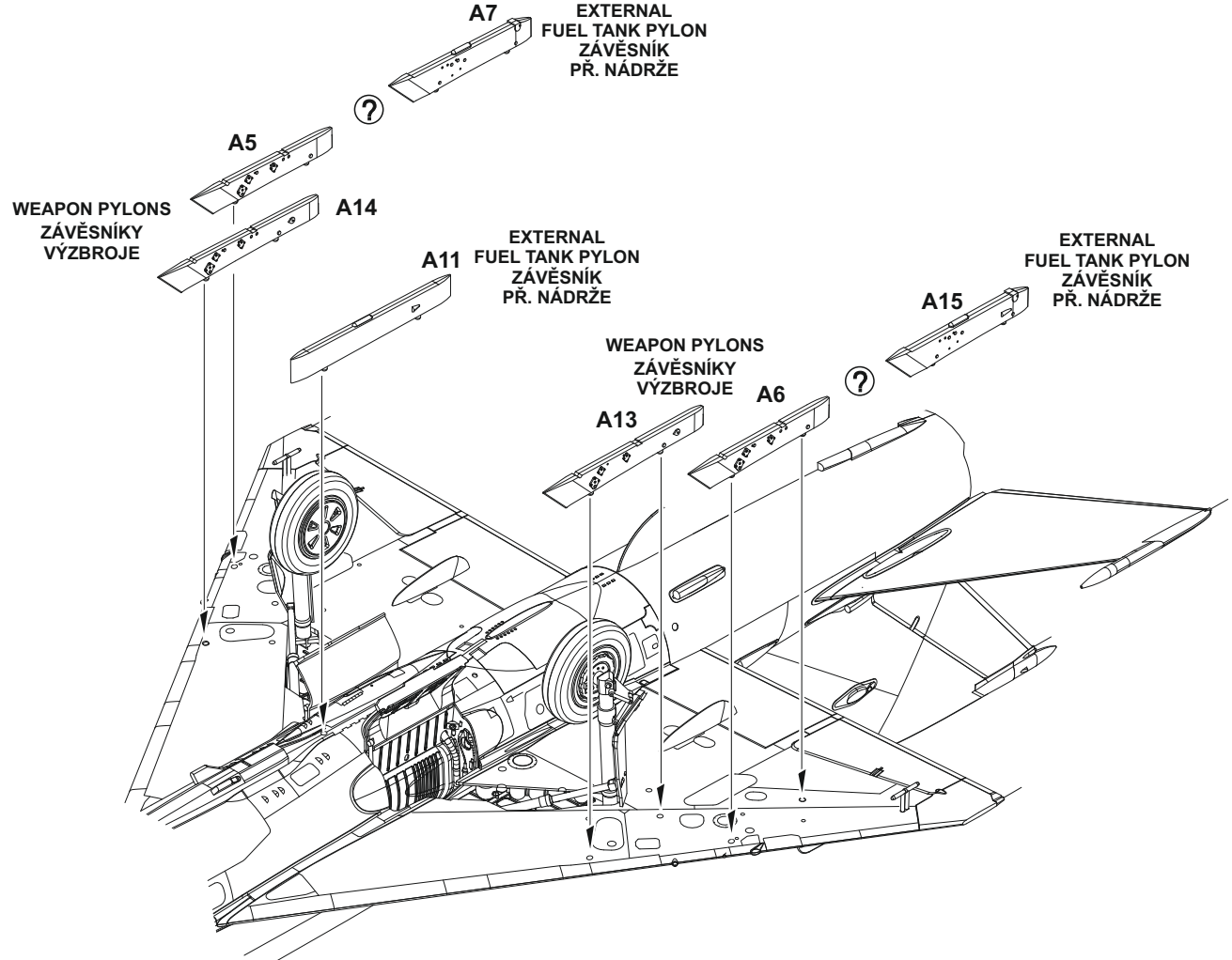
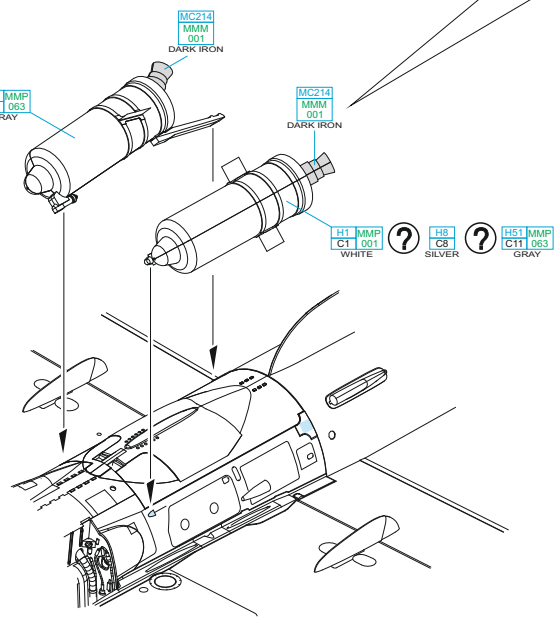
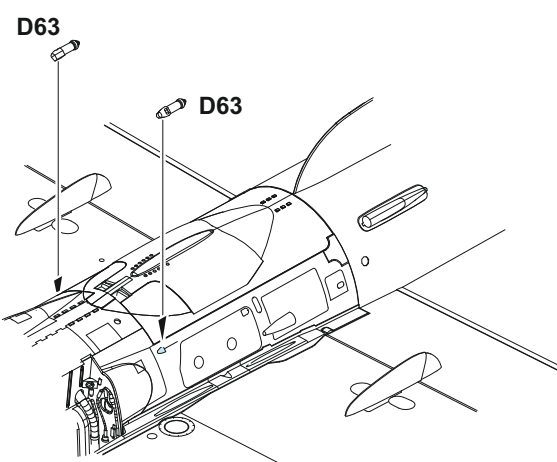
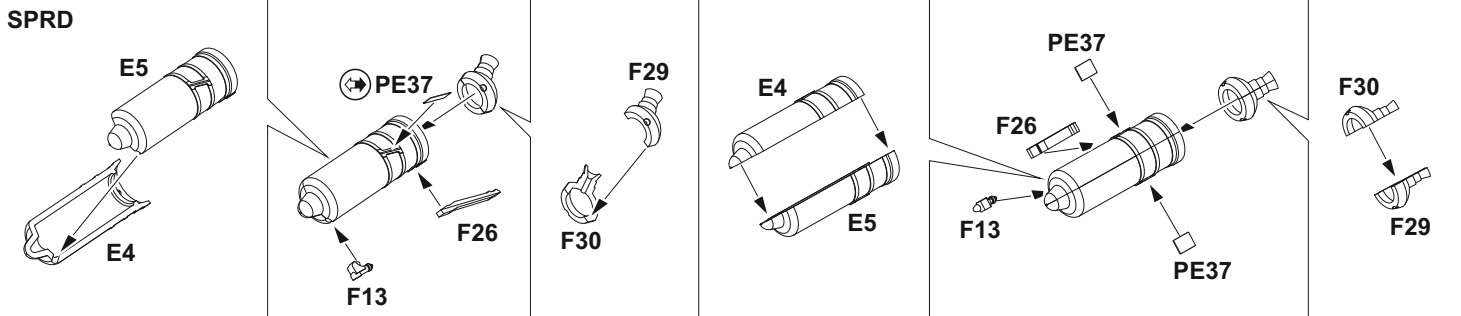




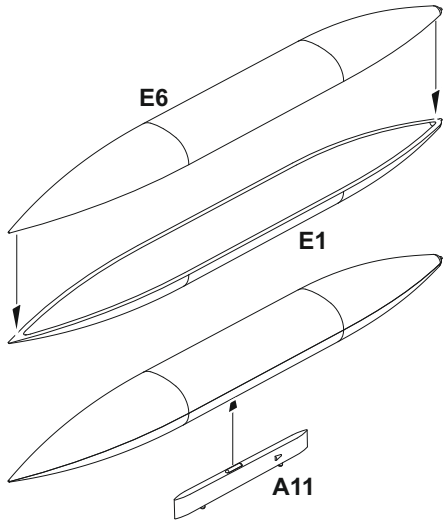


**CLOSED CANOPY**

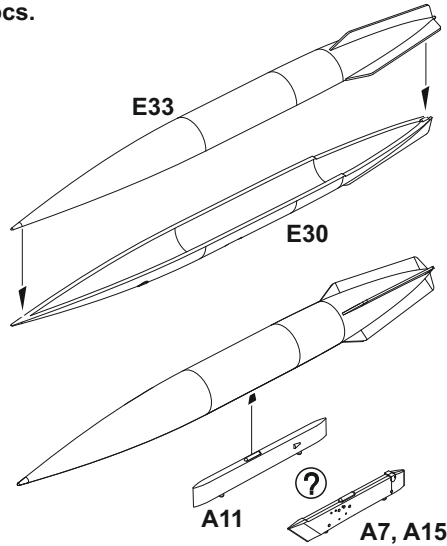




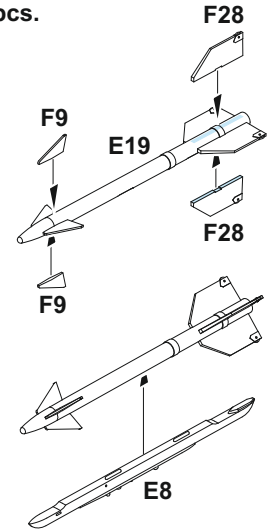
**EXTERNAL FUEL TANK 800I**



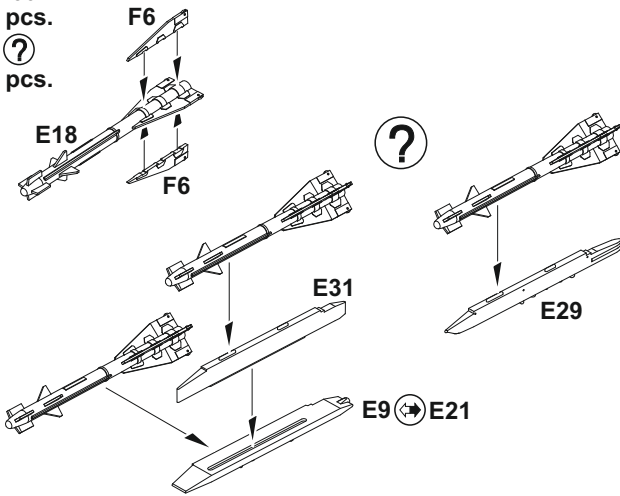
**EXTERNAL FUEL TANK 490I**  
2 pcs.



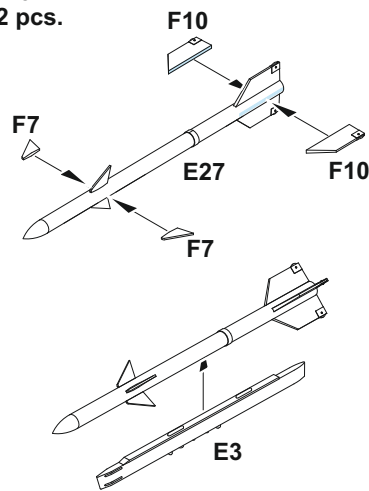
**R-13**  
2 pcs.



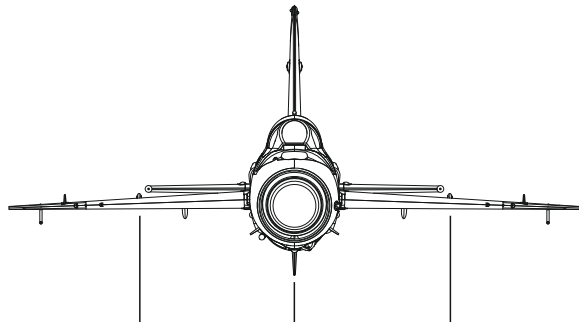
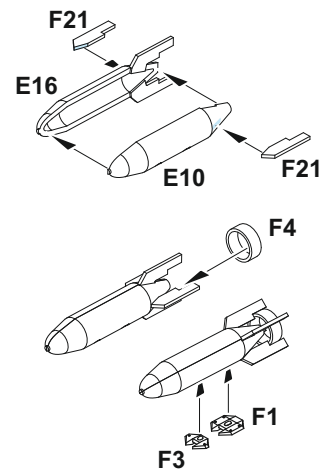
**R-60**  
2 pcs.  
4 pcs.



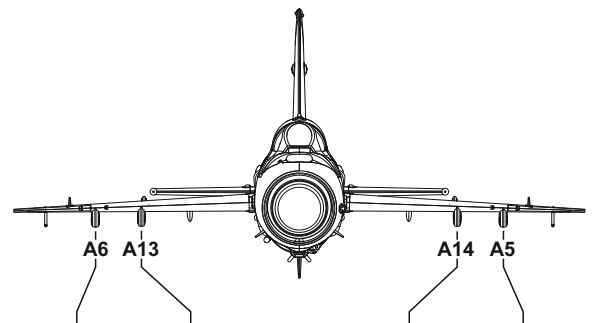
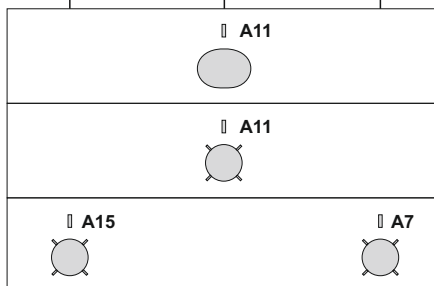
**R-3R**  
2 pcs.



**FAB 250 BOMB**  
2 pcs.



**EXTERNAL FUEL TANK 800I**  
**EXTERNAL FUEL TANK 490I**  
**EXTERNAL FUEL TANK 490I**



**R-60**



**R-60**



**R-13**



**R-3R**



**FAB 250 BOMB**

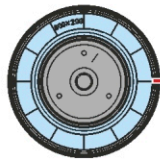


**TO CHOOSE WEAPON AND EXTERNAL FUEL TANK OPTION PLEASE FOLLOW YOUR REFERENCE.**

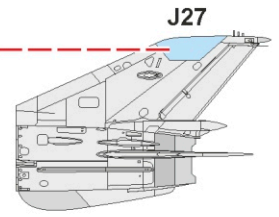
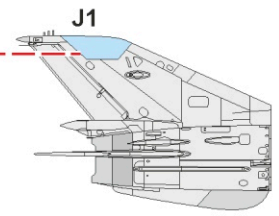
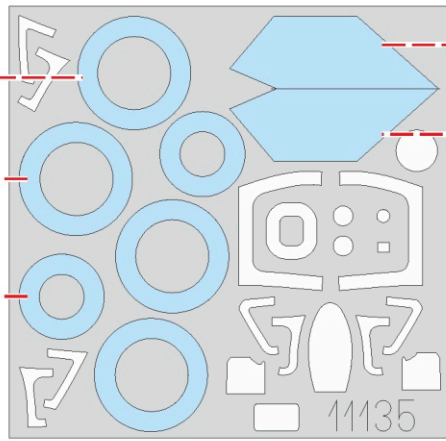
**PRO VOLBU VÝZBROJE A PŘÍDAVNÝCH NÁDRŽÍ SE DRŽTE DOKUMENTACE KONKRÉTNÍHO STROJE.**

**FAB 250 BOMB**

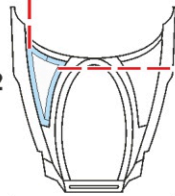
RP1, 2, 4 → RP1, 3, 4



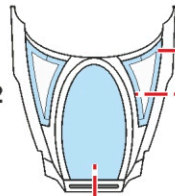
RP6, 8



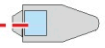
G12



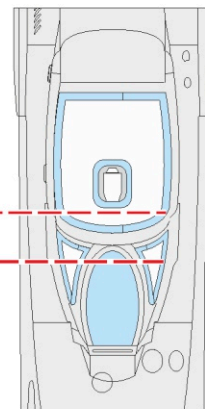
G12



G16

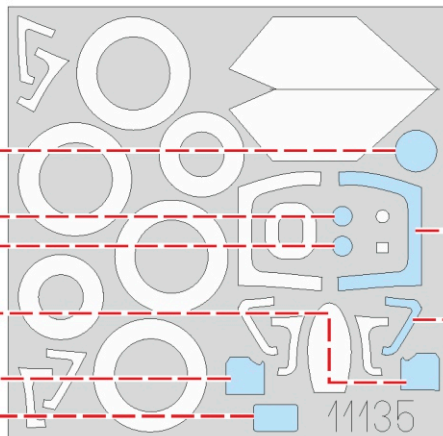
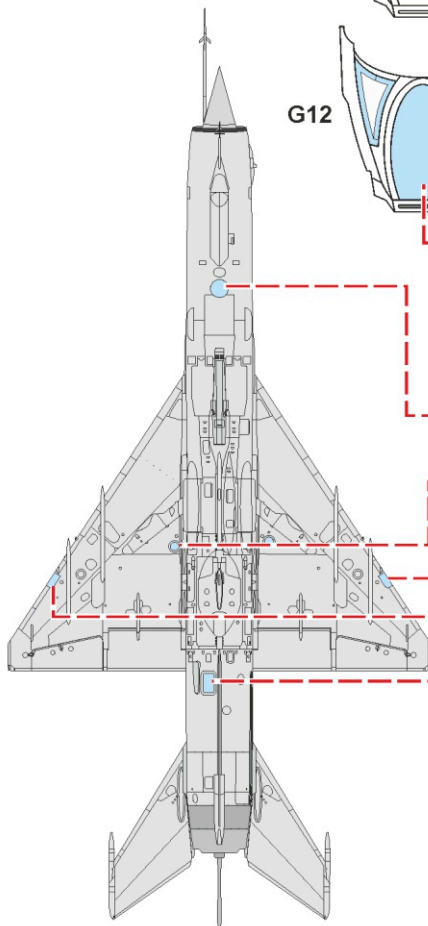


G14

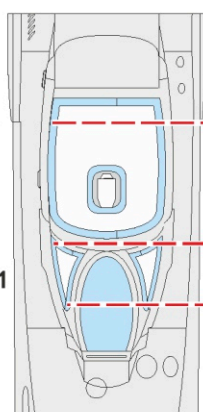


G11

G11



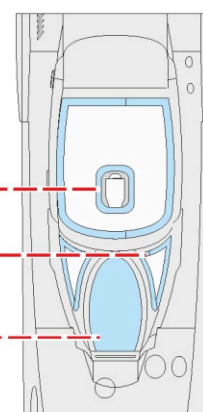
G14



G11



G14

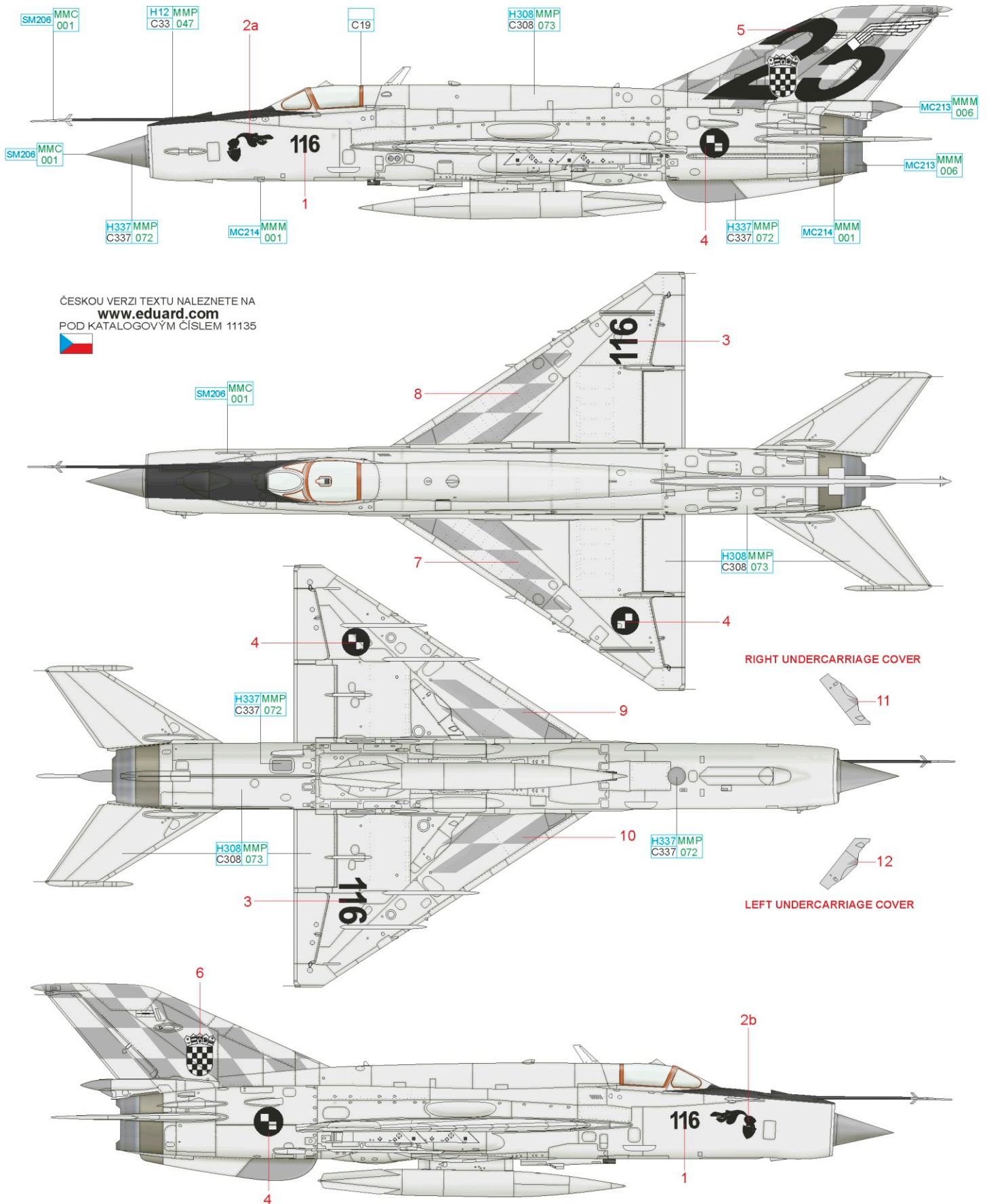


G11



# A MiG-21bisD, Eskadrila borbenih aviona, Hrvatsko ratno zrakoplovstvo i protuzračna obrana, Zagreb – Pleso, Croatia, December 2016

The Croatian Air Force purchased forty MiG-21bis fighters and MiG-21UM trainers from Ukraine in 1995. In 2003, eight MiG-21bis aircraft were modernised to bisD standards in Romania. The modernisation program included updating the navigation, communication and IFF equipment. In 2014, another modernisation took place involving seven Croat MiG-21bisD/UMD aircraft, along with a purchase of another five aircraft at a repair facility in Odessa. The modernised aircraft received an all-grey camouflage scheme. Aircraft coded 116 received a stylised '25' on the left side of the fin to commemorate the twenty-fifth anniversary of the Croatian Air Force.



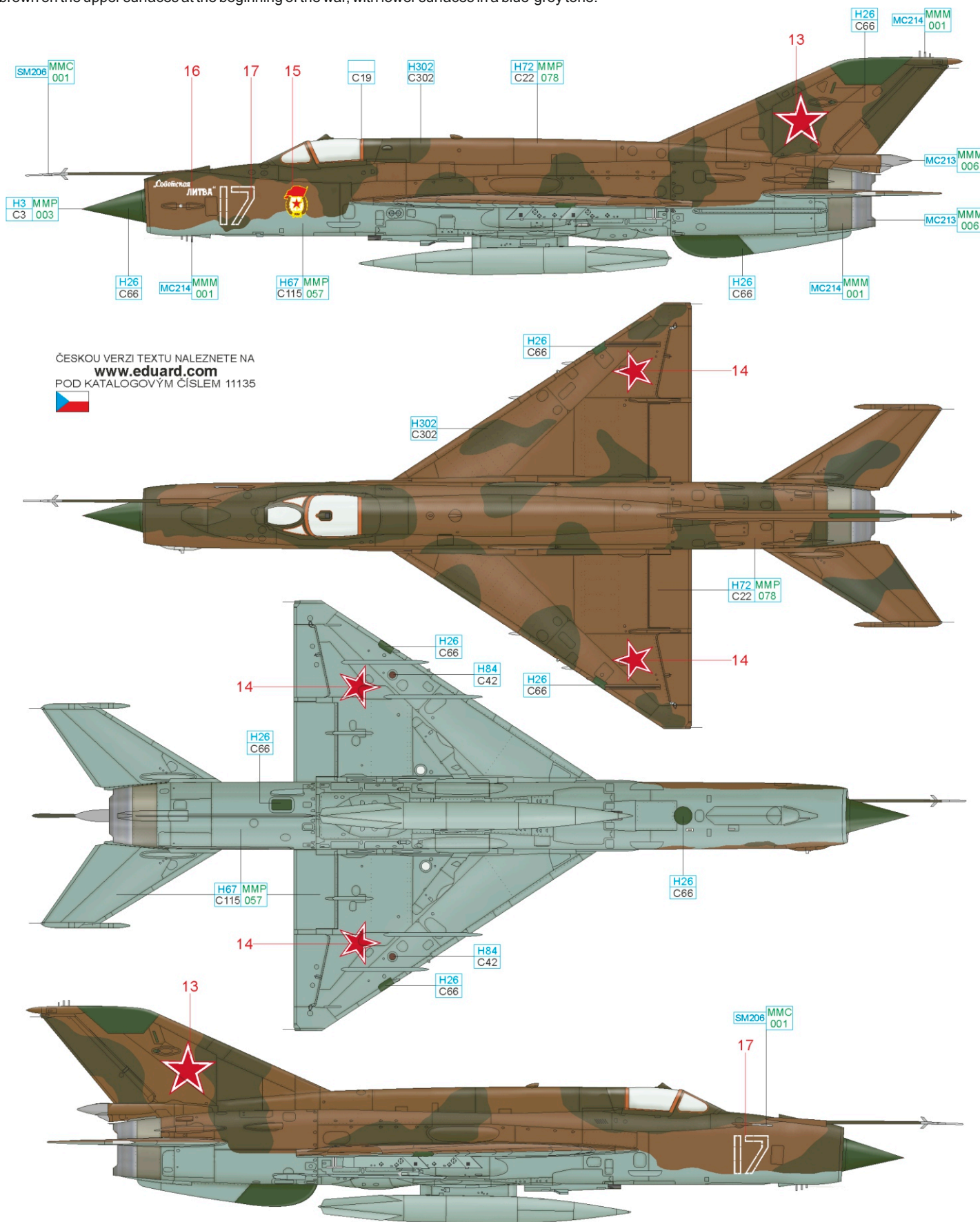
ČESKOU VERZI TEXTU NALEZNETE NA  
[www.eduard.com](http://www.eduard.com)  
 POD KATALOGOVÝM ČÍSLEM 11135



GRAY	H308 MMP C308 073	GRAY	H337 MMP C337 072	BLACK	H12 MMP C33 047	CHROME SILVER	SM206 MMC 001	DARK IRON	MC214 MMM 001	STEEL	MC213 MMM 006	LIGHT BROWN	C19
------	-------------------	------	-------------------	-------	-----------------	---------------	---------------	-----------	---------------	-------	---------------	-------------	-----

# B MiG-21bis, 115th GIAP, Soviet VVS, Bagram Air Base, Afghanistan, 1980

Fighter cover duties during the Soviet invasion of Afghanistan at the end of 1979 fell on the 115th Guards' Regiment, at the time equipped with the MiG-21bis, and initially based at Kokaiity in Uzbekistan, a Soviet Socialist State at the time. Three days after the invasion began, the 1st Squadron moved to Bagram Air Base, followed by a second Squadron on January 23rd, 1980. Due to the total lack of any enemy fighter defence capabilities, the 115th GIAP became involved in ground support duties together with the 136th APIB. MiG-21bis aircraft of the 115th GIAP used in Afghanistan were painted in green and brown on the upper surfaces at the beginning of the war, with lower surfaces in a blue-grey tone.



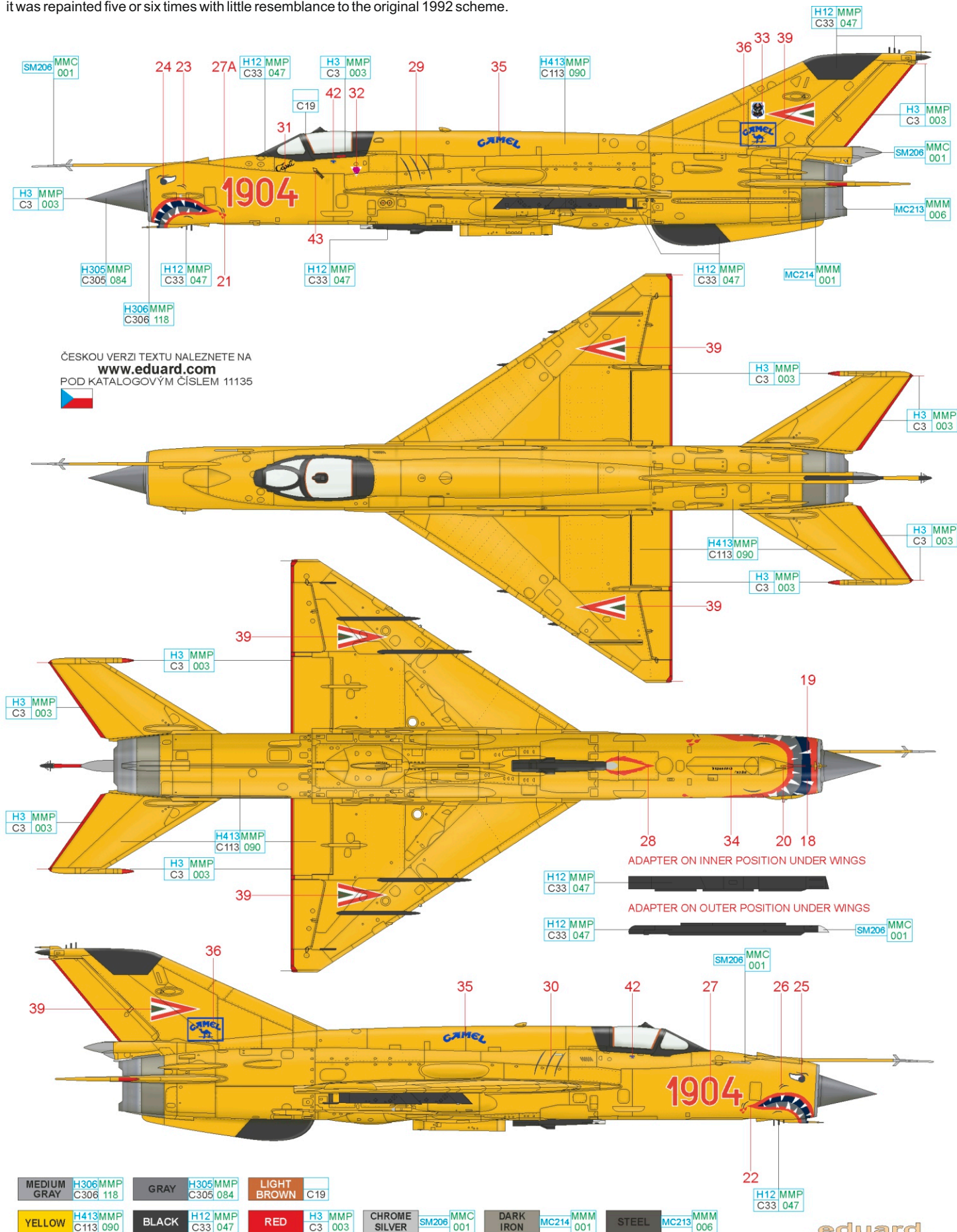
ČESKOU VERZI TEXTU NALEZNETE NA  
[www.eduard.com](http://www.eduard.com)  
 POD KATALOGOVÝM ČÍSLEM 11135



LIGHT BLUE	H67 MMP C115 057	BRIGHT GREEN	H26 C66	LIGHT BROWN	C19	MAHOGANY	H84 C42
DARK EARTH	H72 MMP C22 078	GREEN	H302 C302	RED	H3 H3 MMP C3 003	CHROME SILVER	SM206 MMC 001
						DARK IRON	MC214 MMM 001
						STEEL	MC213 MMM 006

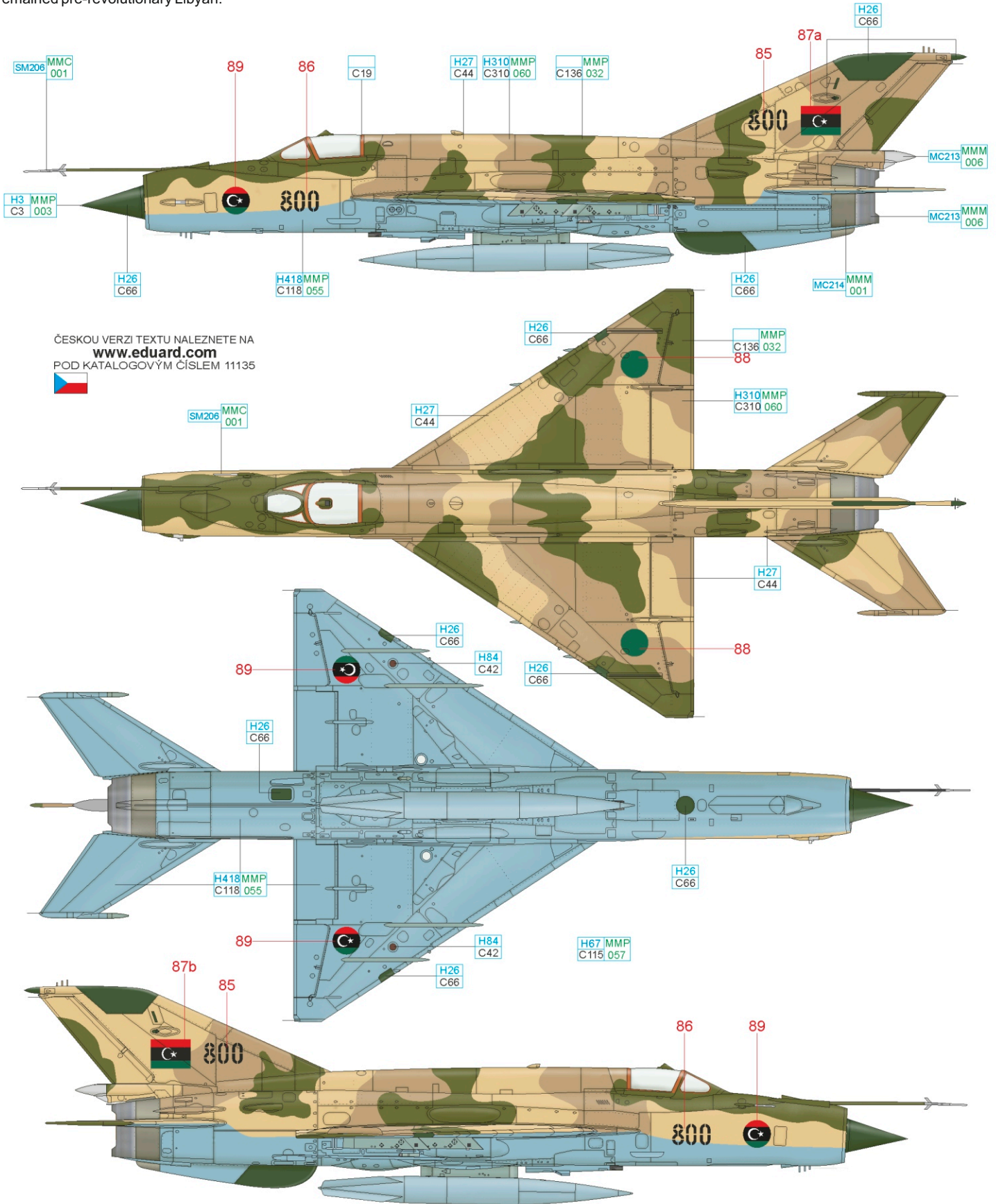
# C MiG-21bis, c/n 75061904, 2nd Fighter Squadron, Tazár Air Force Base, Hungary, 1992

In 1992 a special paint scheme was created by the technicians at Tazsar Air Force Base following on the heels of the "white tail" 1874 aircraft from the previous year's air show circuit. A more distinct and permanent scheme was applied to MiG-21bis (c/n 75061904) of the local Turul squadron. The intention was to provide one fighter for dissimilar air combat training. 'Capeti 1904' was, of course, playing the role of aggressor, to be hunted down by a pair of scrambled fighters. After the show the aggressor role remained and the aircraft was used extensively in the following years. The decal sheet provides two options: one for the actual August 8th/9th, 1992 air show, which included the CAMEL logo, but dropped the tobacco adds for the remainder of the year. In the summer of 1993, 'Capeti' was completely repainted for the Fairford visit, with redesigned markings. 'Capeti 1904' still exists today at the Szolnok museum, but it was repainted five or six times with little resemblance to the original 1992 scheme.



# D MiG-21bis, Free Libyan Air Force, Tobruk, Libya, November 2011

The Free Libyan national army, under the leadership of General Khalifa Haftar, occupied several air bases after its formation, some of which yielded air worthy examples of aircraft abandoned by forces loyal to Muammar Gaddafi. One of the first of these was this aircraft, which was subsequently coded '800' and was flown by pilots of the Free Libyan National Army. The Free National Army, under Haftar's leadership, added aircraft to their inventory from other airfields (MiG-21s, MiG-23s, Mirage F-1s and Su-22s) and purchased other aircraft from foreign sources (again, MiG-21s and -23s, along with Mi-24/35 helicopters). The camouflage scheme of this particular aircraft hails from the days of Gaddafi and was first displayed at Lavex in 2007 in Tripoli. The upper and side surfaces of this plane were in sand, brown and green, the lower surfaces were painted a light blue-grey. The markings on the upper surface of the wings remained pre-revolutionary Libyan.



ČESKOU VERZI TEXTU NALEZNETE NA  
**www.eduard.com**  
POD KATALOGOVÝM ČÍSLEM 11135

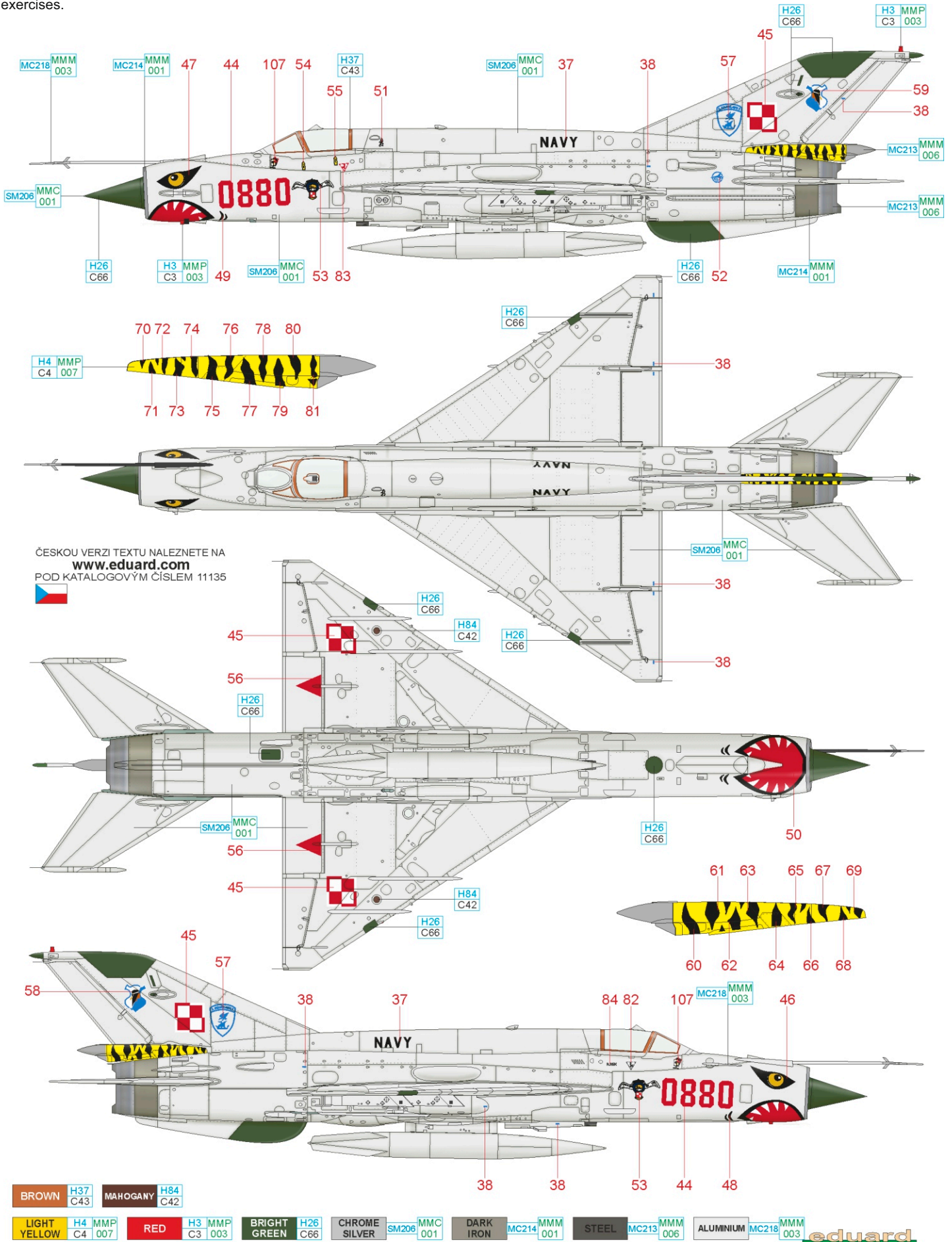


LIGHT BROWN	C19	MAHOGANY	H84 C42	BRIGHT GREEN	H26 C66	RED	H3 MMP C3 003	LIGHT BROWN	H310MMP C310 060	LIGHT BLUE	H67 MMP C115 057
LIGHT BLUE	H418MMP C118 055	TAN	H27 C44	GREEN	MMP C136 032	CHROME SILVER	SM206 MMC 001	DARK IRON	MC214 MMM 001	STEEL	MC213 MMM 006



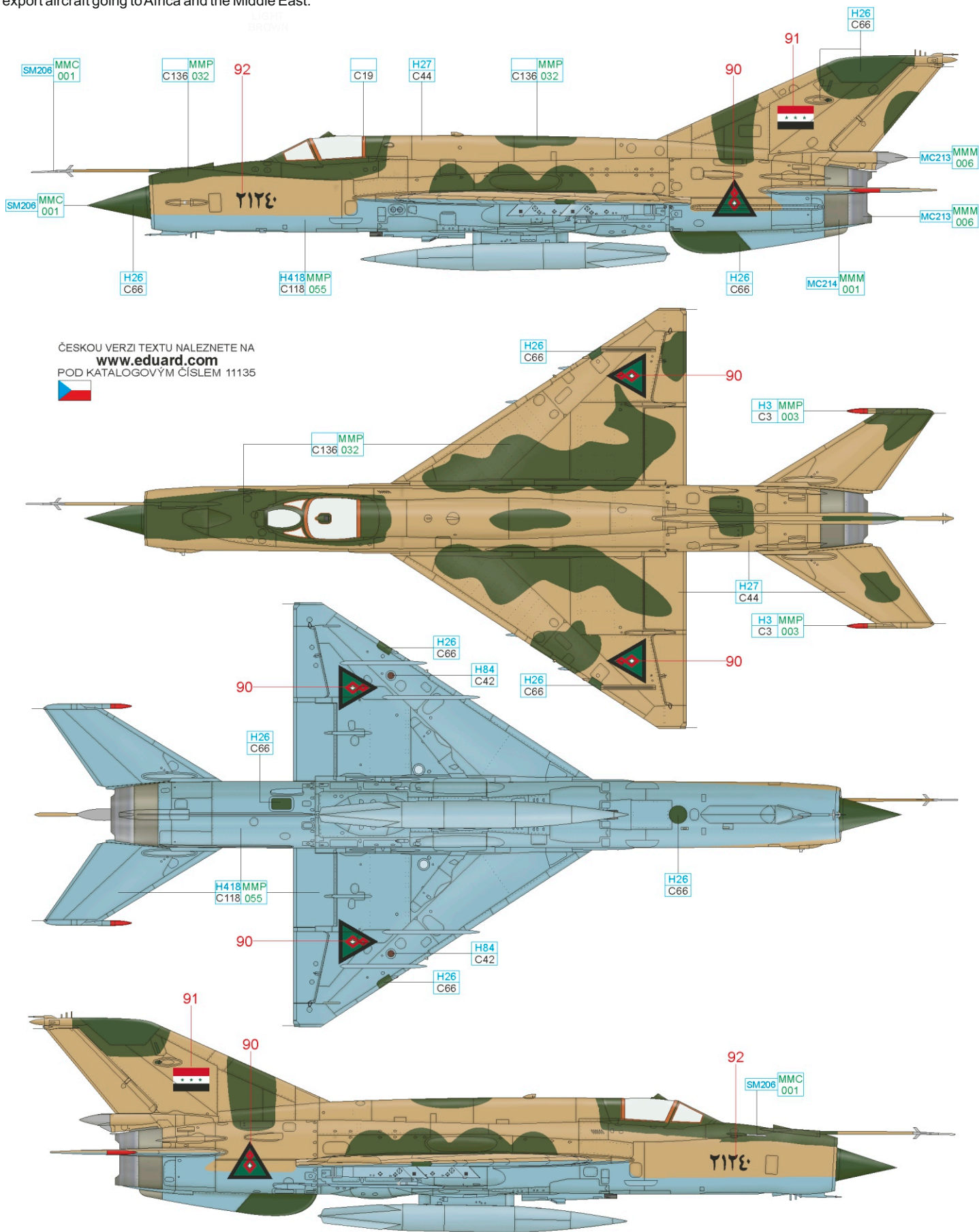
# E MiG-21bis, c/n 75080880, 1. Pucki DLMW, Marynarka Wojenna, Gdynia-Babie Doły, Poland, June 2000

The 1st Pucki Dywizjon Lotniczy Marynarki Wojennej was formed on January 1st, 1995, and it was tasked with protecting the Polish shoreline, naval vessels and bases of the Polish Navy, as well as deterring attacks by potential adversaries. The name of the unit comes from the traditional, prewar Morski Dywizjon Lotniczy from Puck. Up to its disbandment on December 31st, 2002, the unit flew the MiG-21bis and UM, as well as W-3, Mi-17 and Mi-2 helicopters. Aircraft coded 0880, serving in its original natural metal scheme, had a sharkmouth added to it, along with the regimental insignia behind the fuselage code and the Squadron A badge on the fin. Ahead of the national insignia on the fin, there is a German 2./MFG 2 marking, with which the Polish unit often flew training exercises.



# F MiG-21bis, No. 47 Squadron, Iraqi Air Force, Al Hurrya Air Base, Iraq, 90'

The No. 47 Squadron was equipped with the MiG-21bis through the seventies, and over the fall of 1980 scored significant kills against Iranian F-4s and F-5s. During the Iran-Iraq war, Iraqi pilots flying the MiG-21bis fired not only Soviet air-to-air missiles (R-3S, R-13M), but also the French R.550. A typical loadout configuration consisted of two air-to-air rounds and three drop tanks. The aircraft were camouflaged according to period MiG-21 standards developed for export aircraft going to Africa and the Middle East.



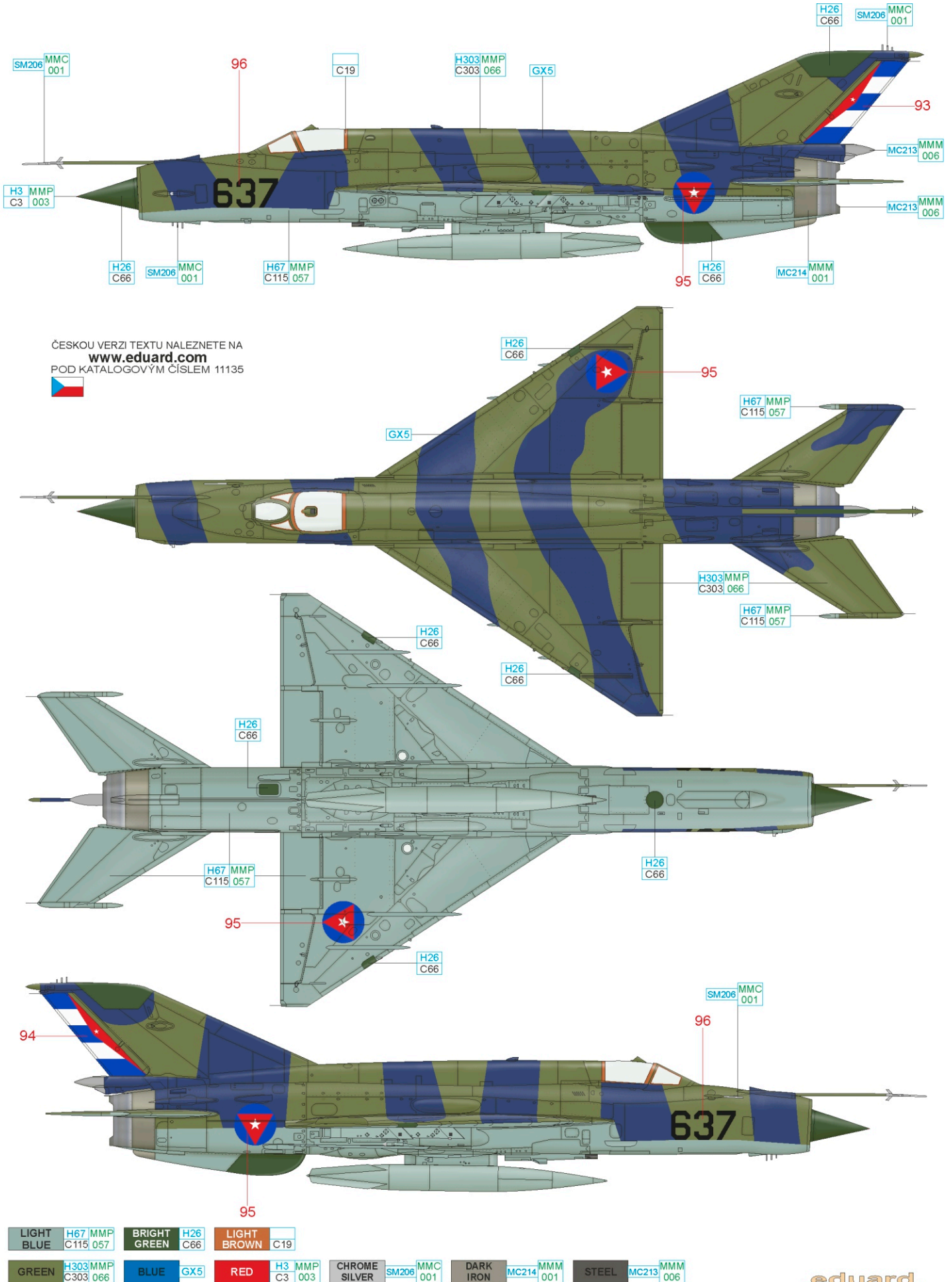
ČESKOU VERZI TEXTU NALEZNETE NA  
[www.eduard.com](http://www.eduard.com)  
 POD KATALOGOVÝM ČÍSLEM 11135



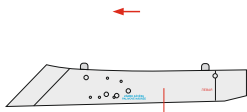
LIGHT BROWN	C19	MAHOGANY	H84 C42	BRIGHT GREEN	H26 C66	RED	H3 MMP C3 003
LIGHT BLUE	H418 MMP C118 055	TAN	H27 C44	GREEN	C136 032	CHROME SILVER	SM206 MMC 001
						DARK IRON	MC214 MMM 001
						STEEL	MC213 MMM 006

# G MiG-21bis, San Antonio de los Baños, Cuba, 90'

Deliveries of the most modern MiG-21bis aircraft to the Cuban Air Force began in 1981. A total of eighty (with some sources claiming ninety) aircraft served in four regiments. After completing its military career, aircraft coded '637' was used as an instructional airframe at the Instituto Tecnico Militar in Havana. The aircraft was camouflaged in a green and blue-grey scheme, which was used by the Cubans from the beginning of the nineties.



LEVÝ  
VNĚJŠÍ PODKŘÍDLOVÝ  
PALIVOVÝ  
LEFT OUTSIDE  
UNDERWING TANK PYLON



S107

**SN - SERIOVÁ ČÍSLA**  
**MALÉ NA DRÁK LETOUNU**  
**STŘEDNÍ NA ZÁVĚSNÍKY**  
**VELKÉ NA RAKETNICE**

**SN - SERIAL NUMBER**  
**SMALL FOR AIRFRAME**  
**MEDIUM FOR PYLONS**  
**LARGE FOR ROCKET LAUNCHERS**



S105



S106

PRÁVÝ  
VNĚJŠÍ PALIVOVÝ  
PYLON  
RIGHT OUTSIDE  
UNDERWING TANK PYLON



S108

LEVÝ VNĚJŠÍ PYLON  
LEFT OUTSIDE PYLON



S17 ? S33 S109



S110

PRÁVÝ VNĚJŠÍ PYLON  
RIGHT OUTSIDE PYLON



S110



S120 S17 ? S33

LEVÝ VNITŘNÍ PYLON  
LEFT INSIDE PYLON



S17 ? S33 S111



S112

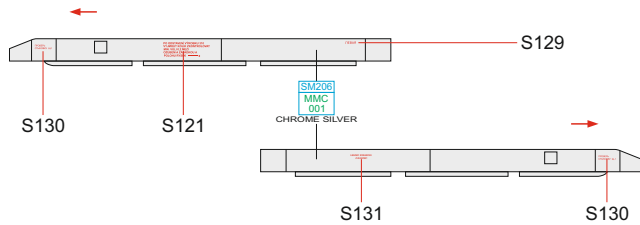
PRÁVÝ VNITŘNÍ PYLON  
RIGHT INSIDE PYLON



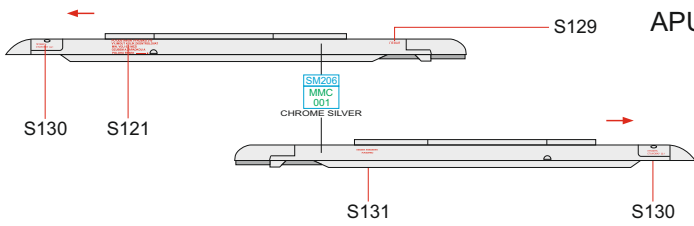
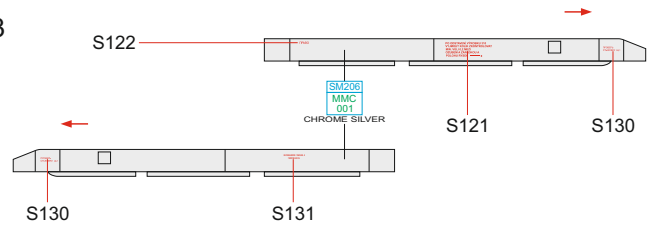
S118



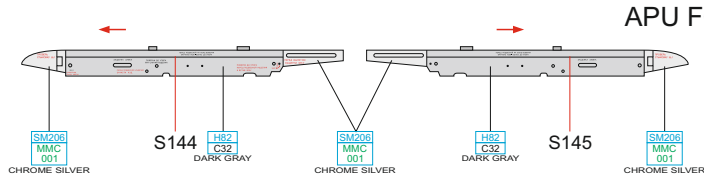
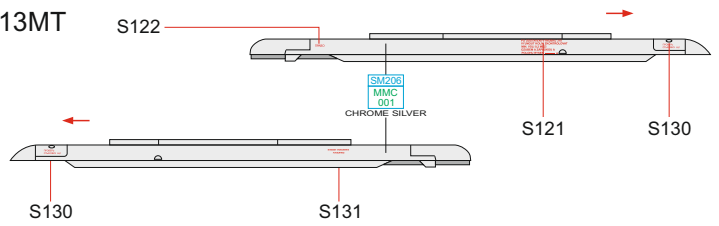
S119 S17 ? S33



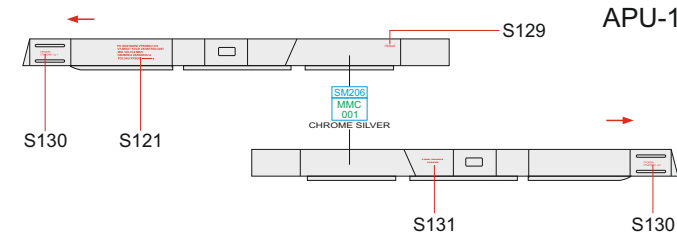
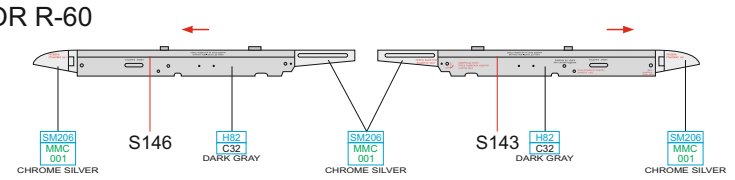
APU-13



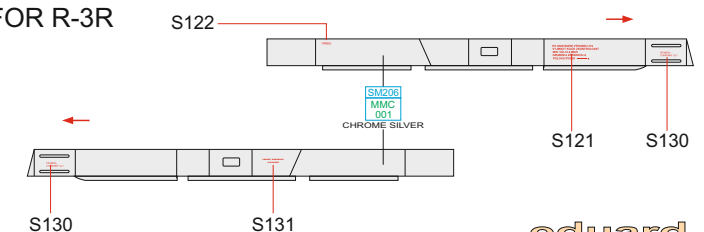
APU-13MT



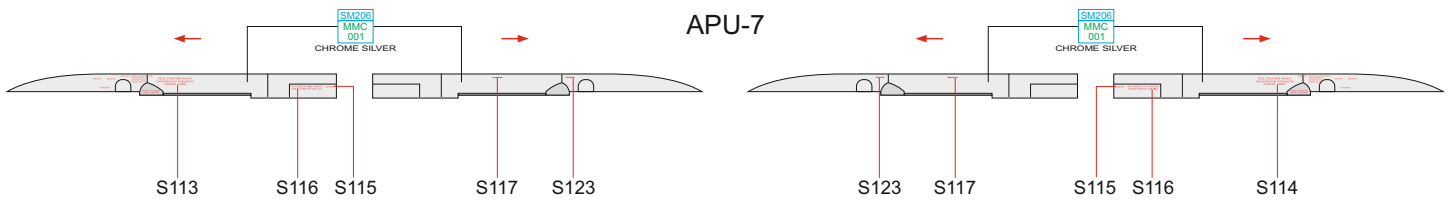
APU FOR R-60



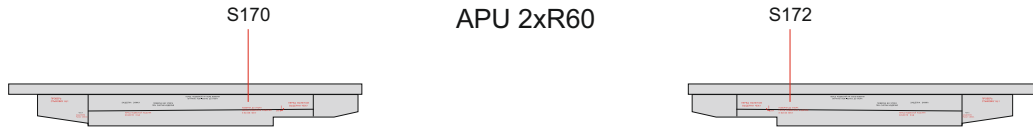
APU-13 FOR R-3R



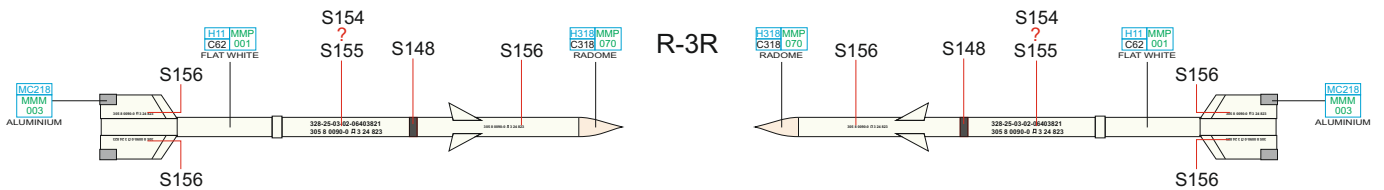
APU-7



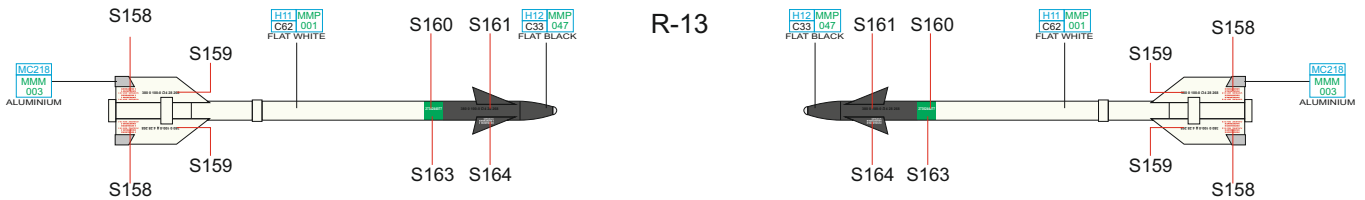
APU 2xR60



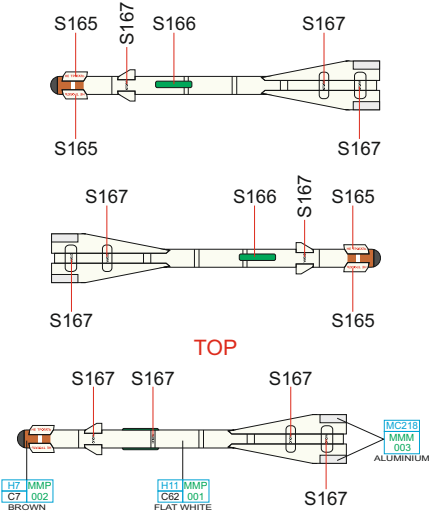
R-3R



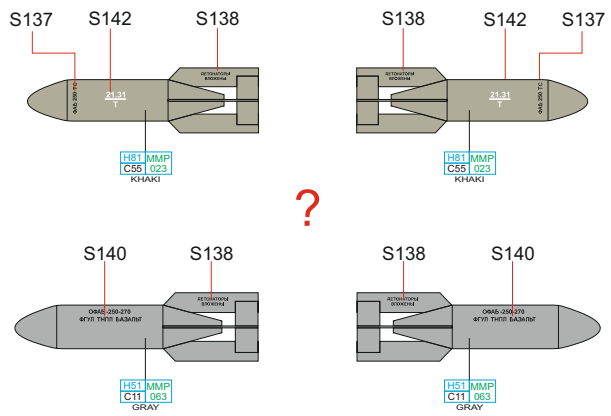
R-13



R-60



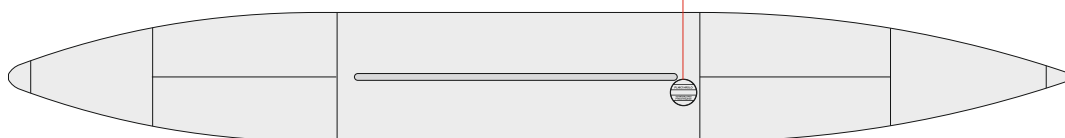
FAB 250



EXTERNAL FUEL TANK 490I



EXTERNAL FUEL TANK 800I



MARKING C ONLY

