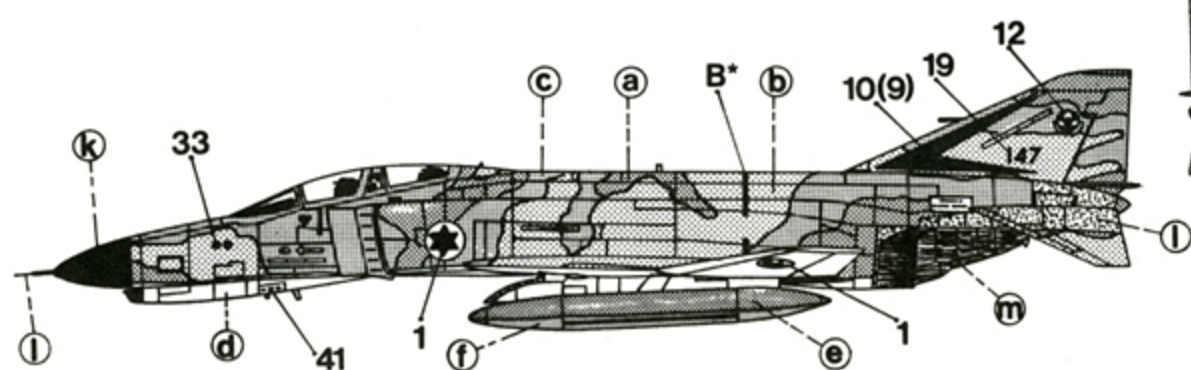
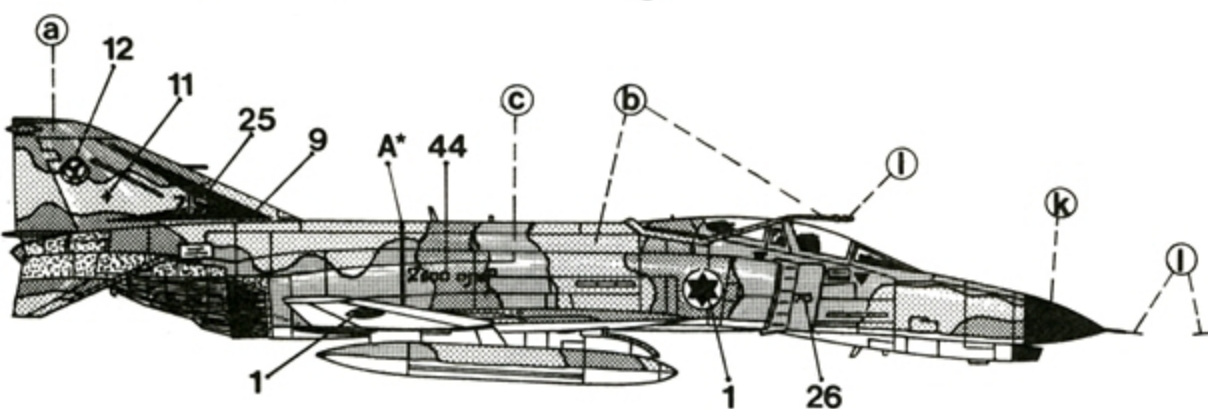
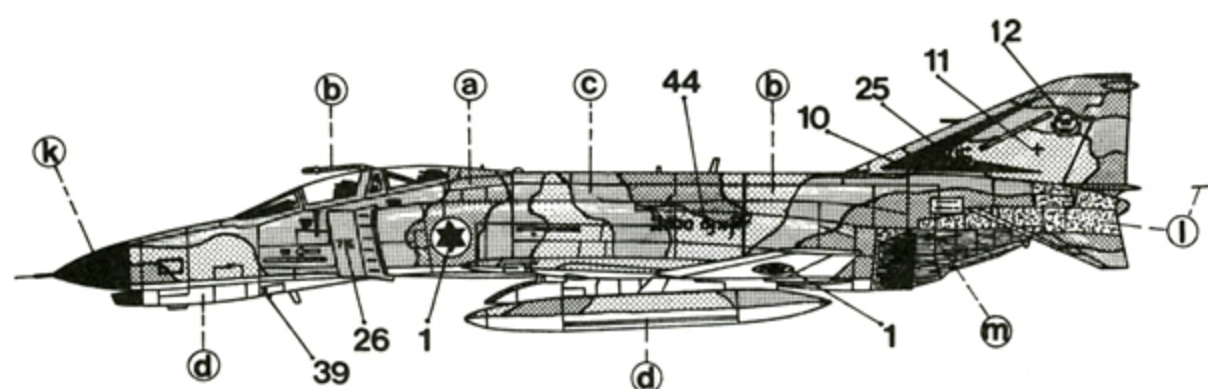


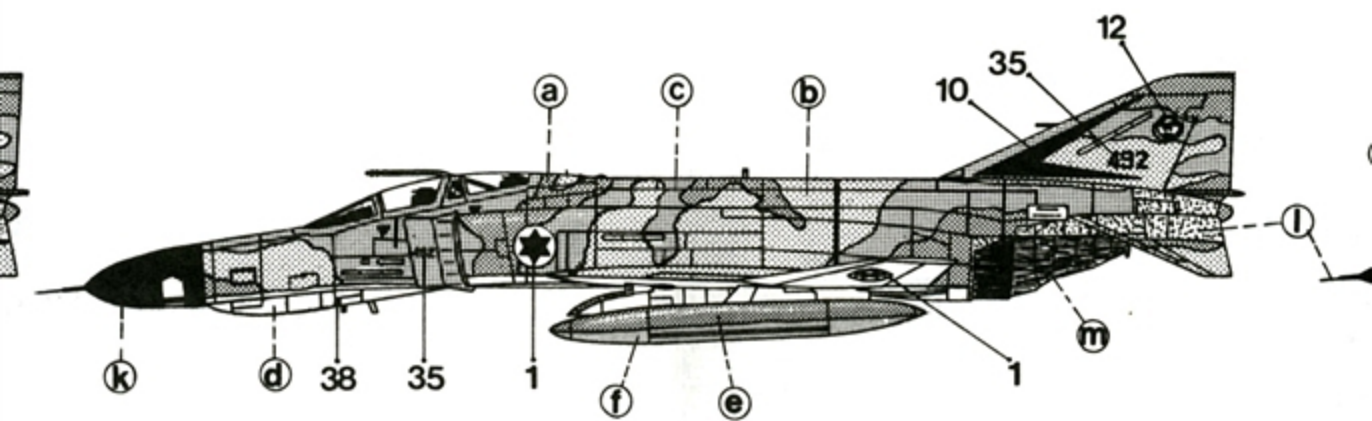
**1** F-4E, "Akraav" (Scorpion) Sqn, Heyl'Ha Avir, 1982.



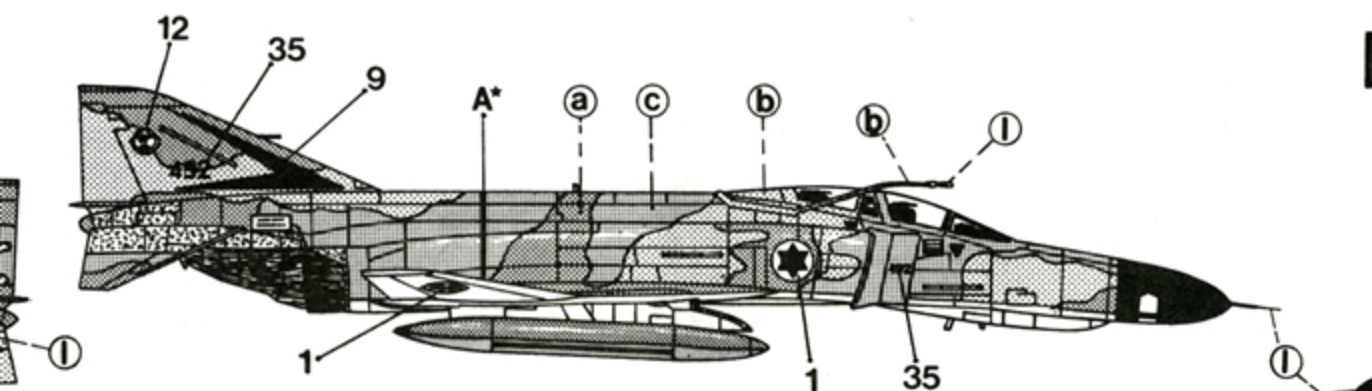
**2** F-4E, "Atalev" (Bat) Sqn, Heyl Ha'Avir, during the Yom Kippur War, October 1973.



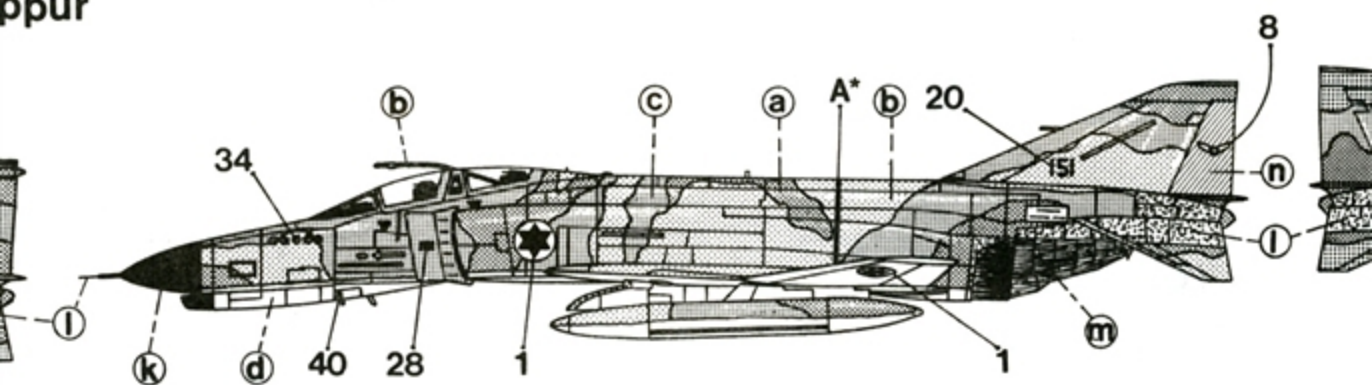
**3** Kurnass 2000, "Atalev" Sqn, Heyl Ha'Avir, 1994.



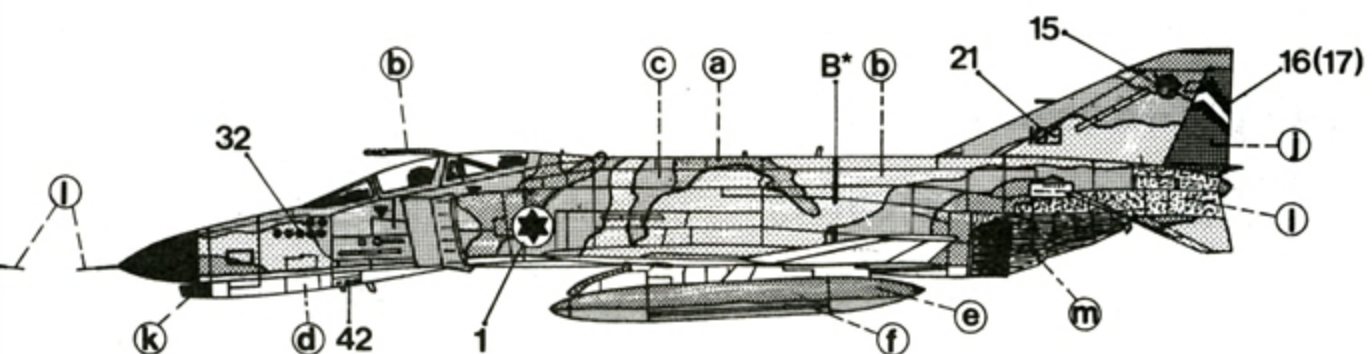
**4** F-4E(S), "Atalev" Sqn, Heyl Ha'Avir, 1988.



ppur

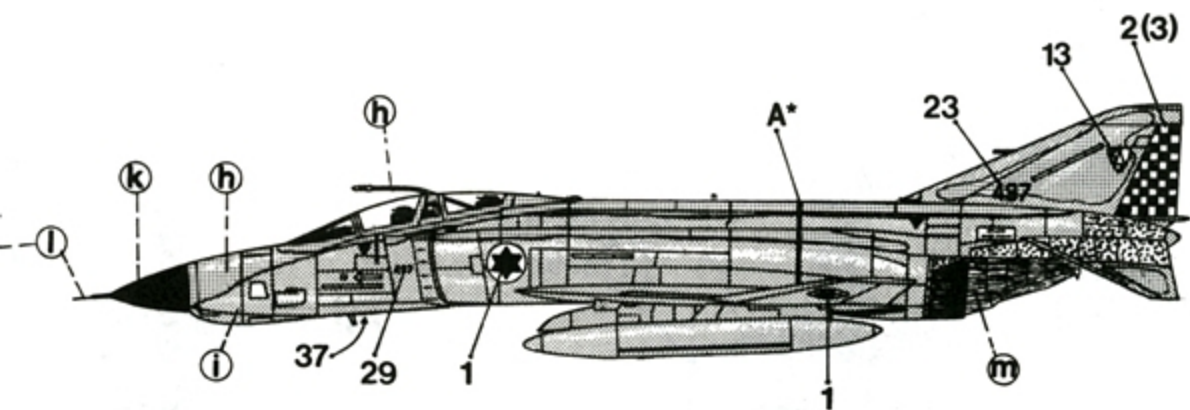


**5** F-4E, "Zanav Katom" (Orange Tails) Sqn, Heyl Ha'Avir, 1982.

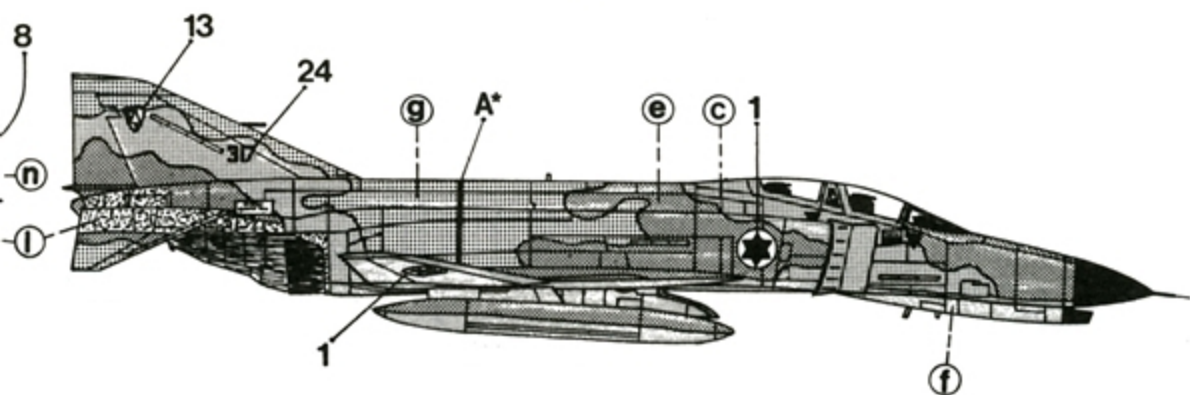
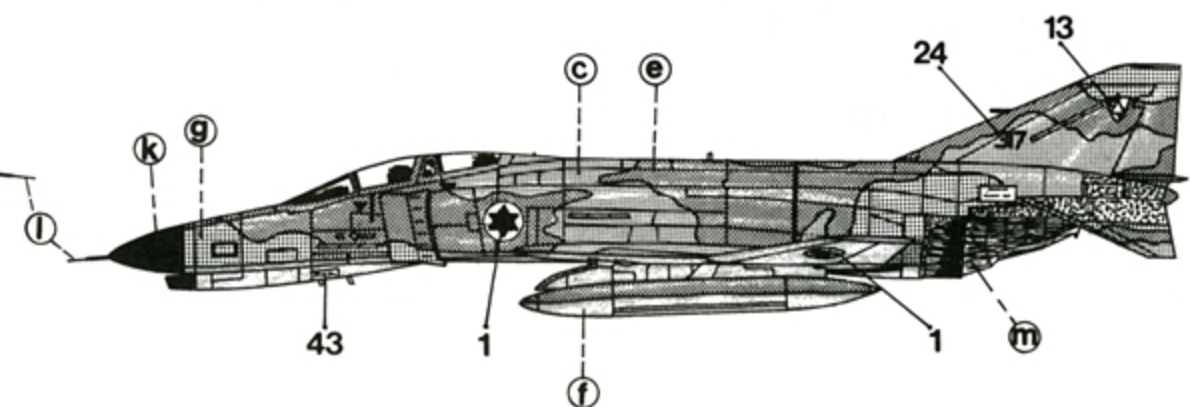


**6** F-4E, "Ahat" Sqn, Heyl Ha'Avir, during the Yom Kippur War, October 1973.





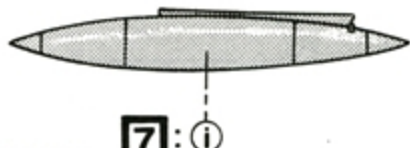
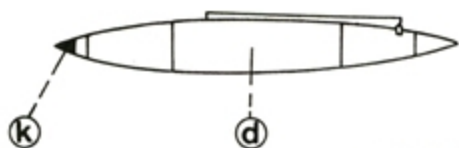
**7** RF-4E, "Ha'Patishim" (Hammers) Sqn, Heyl Ha'Avir, 1983.



**8** F-4E, "Ha'Patishim" Sqn, Heyl Ha'Avir, October 1973. This aircraft, one of 36 USAF Phantoms transferred to IDF/AF during Yom Kippur War, flew combat missions in SEA-Camouflage.

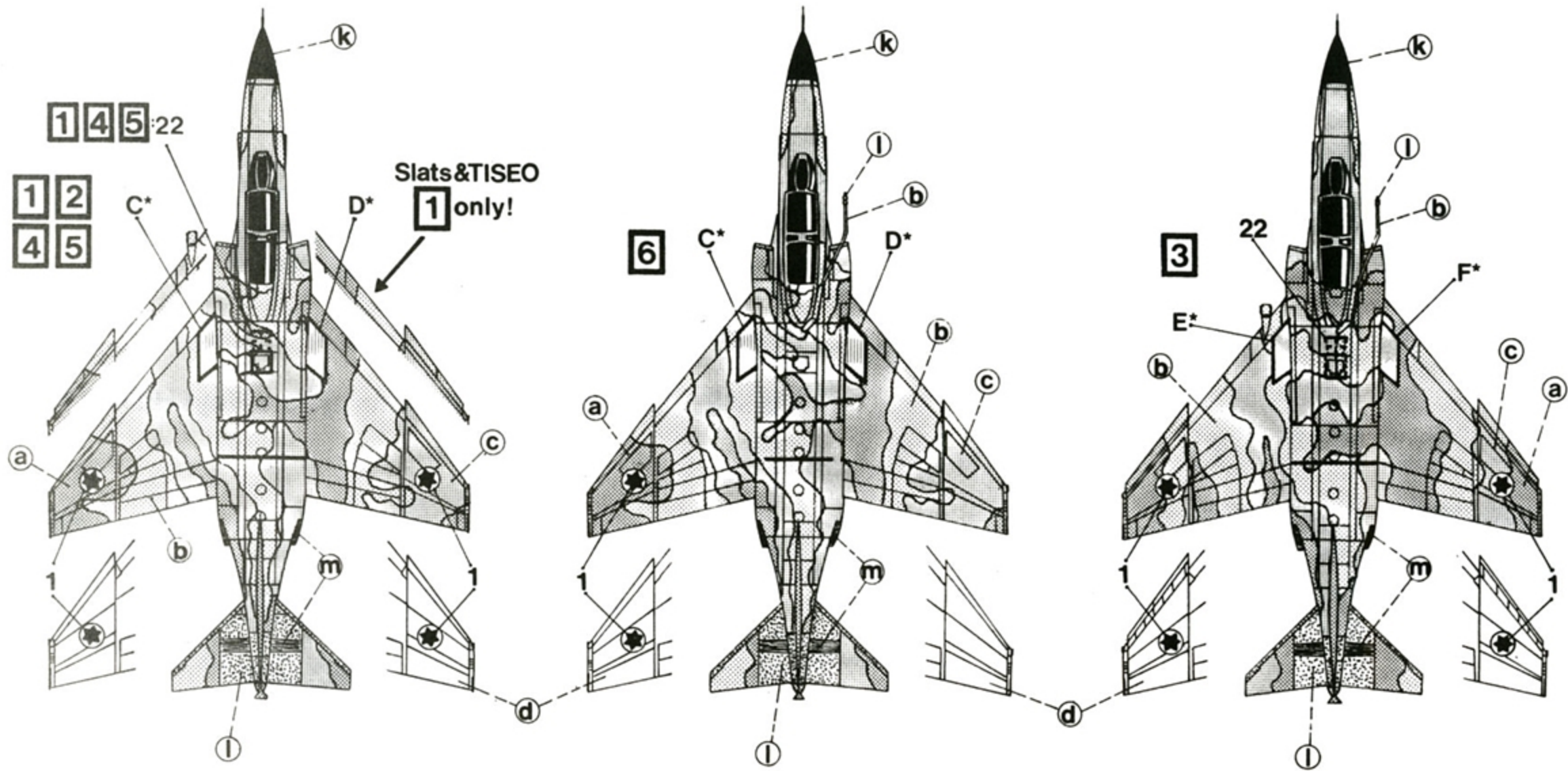
16(17)  
①  
①

600 gal drop tank

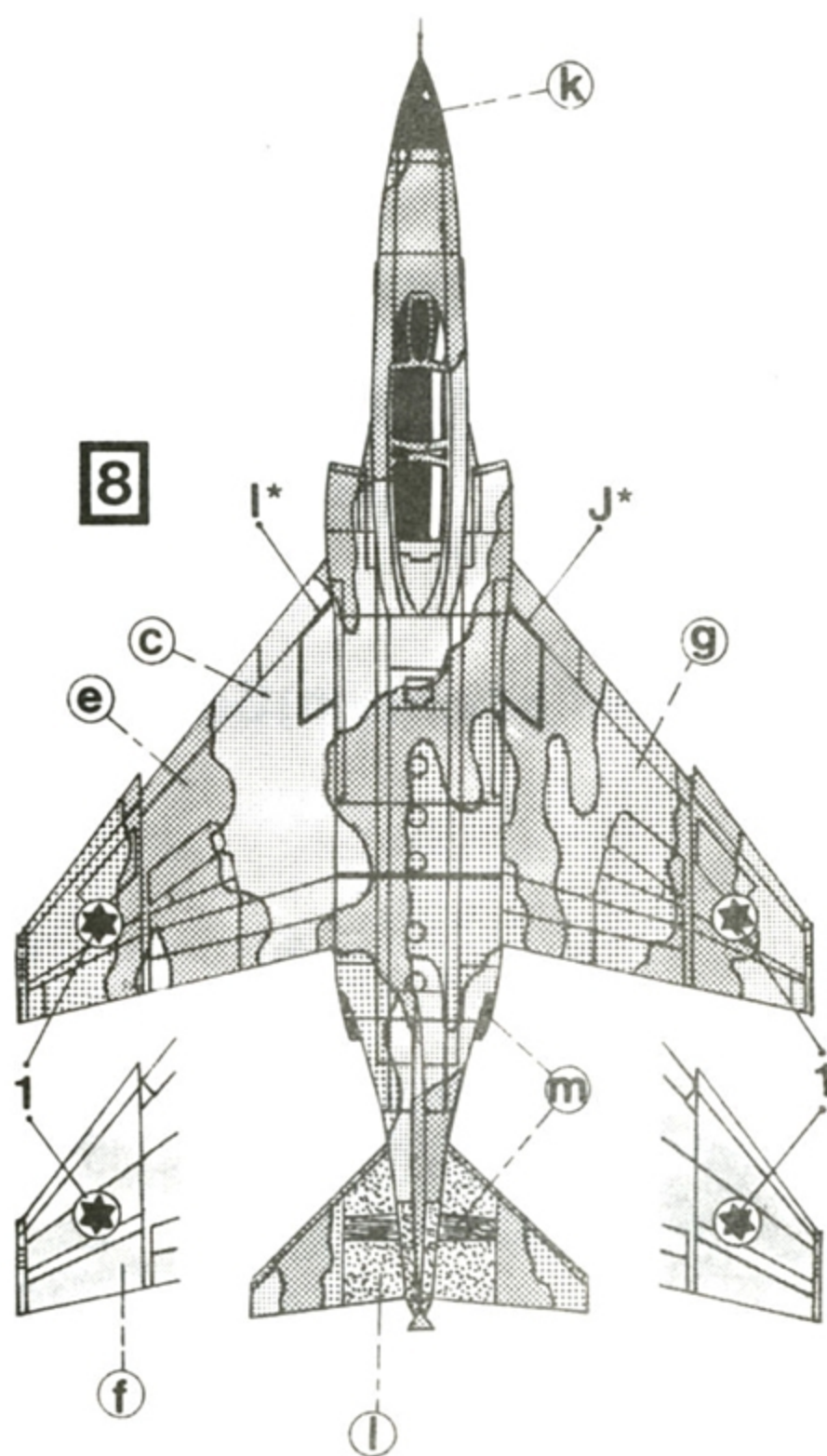
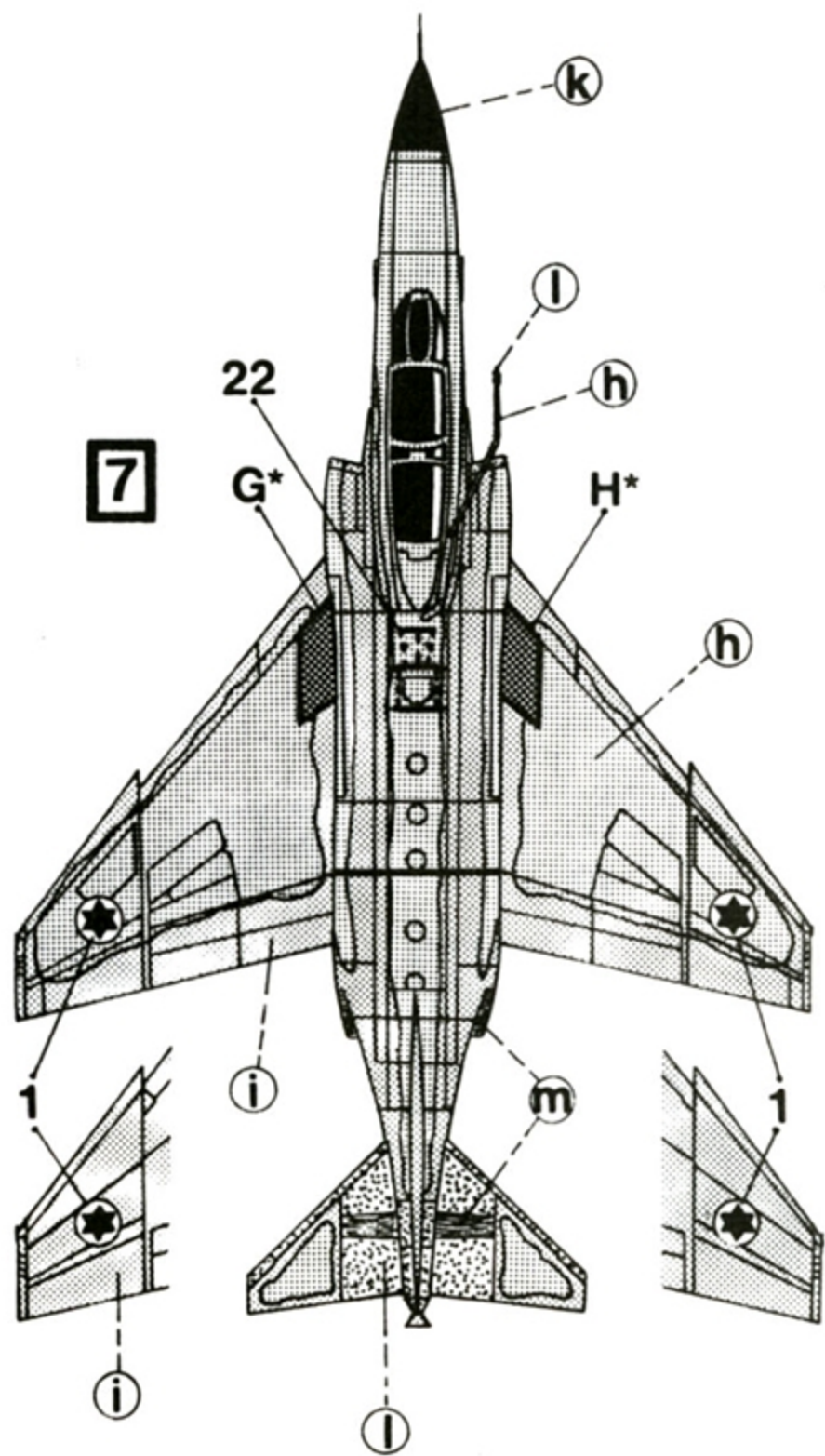


see  
'EXTERNAL STORES'

**7**: i

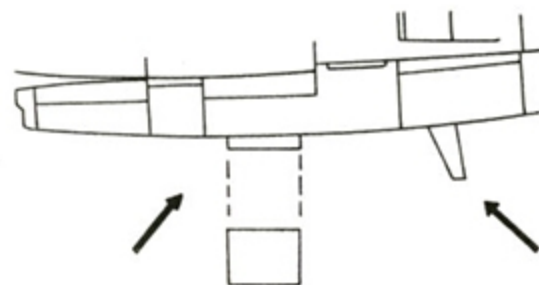




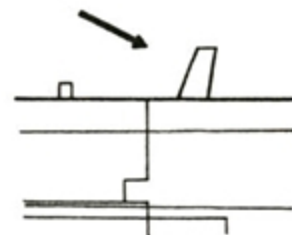




IFR Probe  
(1/48)



KURNASS  
2000  
Aerials (1/48)



Use markings A\*;B\*;C\*;D\*;E\*;F\*;G\*;H\*;I\*;J\*  
& stencilling from HDL sheet 48-008

**1** **3** **4** **5** -Hebrew stencilling

**2** **6** **7** **8** -English stencilling

Model kits produced by:  
AMT;Fujimi;Hasegawa;Italeri.  
MB Mk7 Ejection Seats:True Details;Verlinden.  
F-4ES "Peace Jack" Nose:Paragon Designs.  
External Stores:Hasegawa.

Recommended references:

- THE SHIELD OF DAVID by Samuel M. Katz;  
Concord Publications.
- PHANTOM-SPIRIT IN THE SKIES;Aerospace Publishing.
- F-4 PHANTOM II IN ACTION by Larry Davis  
Squadron/Signal Publications

**F-4E;RF-4E;F-4E(S);KURNASS 2000**

48-007





<b>1</b>	E	I	-	-	B	I	E
<b>2</b>	E	H	-	D	-	H	E
<b>3</b>	E	F	-	D	A	F	E
<b>4</b>	E	H	-	D	B	H	E
<b>5</b>	E	G	-	-	B	G	E
<b>6</b>	E	J	-	K	C	H	E
<b>7</b>	E	B		D		H	E
<b>8</b>	E	J	-	K	C	J	E

### EXTERNAL STORES

<b>A:</b> Pave Spike Pod	<b>H:</b> 2x AIM-9 AAMs
<b>B:</b> ALQ-119 ECM Pod	<b>I:</b> GBU-8 HOBO
<b>C:</b> ALQ-87 ECM Pod	<b>J:</b> 3x Mk 82 Bombs on TER
<b>D:</b> 600 Gal. Fuel Tank	<b>K:</b> 4x M117 Bombs on MER
<b>E:</b> 370 Gal. Fuel Tank	
<b>F:</b> GBU-12 LGB	
<b>G:</b> AGM-78 Standard ARM	

			Humbrol	Model Master
a		Light Green FS 34227	120	1716
b		Pale Stone FS 33531	121	1706
c		Tan FS 30219	118	1742
d		Pale Blue FS 35622	122	1722
e		Dark Green FS 34079	116	1710
f		Pale Grey FS 36622	28	1733
g		Green FS 34102	117	1713
h		Compass Grey FS 36320	128	1741
i		Ghost Grey FS 36375	127	1728
j		Red FS 31136	153	1705
k		Black FS 27038	85	1597
l		Aluminium	Metalcote	1401
m		Steel	Metalcote	1405
n		Orange FS 32246	82	1595