

TBF-1C AVENGER

1:32 Scale

格鲁曼TBF-1C"复仇者"鱼雷攻击机

READ BEFORE ASSEMBLY

- Study and understand these instructions thoroughly before beginning assembly. Make sure all parts are included by comparing them to those shown on pages 2 & 3 of these instructions.
- Remove parts from sprues as needed, and trim excess with a hobby knife. Be careful not to lose small parts.
- Remove photo-etch parts from sprue as needed using a hobby knife or photo etch cutter.
- Apply cement to photo etch parts as shown on instructions. Applying too much cement will restrict the operation of these

movable parts. Apply cement carefully! Removed photo etch parts can have sharp edges. Take care when handling these to avoid injury.

- Apply decals to necessary parts prior to assembly.
- Additional tools recommended(not included):Sprue cutter, Long nose pliers, hobby knife, file, tweezers, pin vise, scissors, cement, sandpaper, soft cloth, glue and paint.
- Keep all parts out of reach of children, as they pose a choking hazard. Discard all unnecessary bags and sprues when model is completed to avoid accidental injury.

装配之前仔细阅读

- 小心用模型锉刀锉平所有零件表面的注射浇口。
- 小心用刀片切下蚀刻片零件，不要遗失小零件。
- 用强力快干胶水粘合蚀刻片零件和金属轴。过量的快干胶水使用可能导致可动零件会粘住，小心涂胶。
- 取蚀刻片时应特别注意安全，防止利边划伤手指。
- 某些零件表面需贴上水贴纸，请选择在装配的同时进行。
- 推荐模型工具(自备)：胶水，水口剪刀，长咀钳，刀片，锉刀，镊子钳，钻，剪刀，瞬间快干胶。
- 软布同砂纸同时也应该是必备工具。
- 请使用塑料胶水和油漆，模型内不含。
- 谨防小孩吸吮塑料零件，或者将塑料袋套在头上，制作时应将套材远离小孩接触。

水贴纸的使用:

1. 从水贴纸上剪下印花;
2. 将印花放入温水中浸10秒, 然后放在干净布上。
3. 拿着印花纸板将印花移到模型上;
4. 手指蘸水将印花移到适当的位置;
5. 用软布轻压印花直至水干, 气泡消失。

DECAL APPLICATION

1. Cut off decal from sheet.
2. Dip the decal in tepid water 40° C for about 10 sec. and place on a clean cloth.
3. Hold the backing sheet edge and slide decal onto the model.
4. Move decal into position by wetting decal with finger.
5. Press decal gently down with a soft cloth until excess water and air bubbles are gone.



cyanoacrylate glue
使用强力胶



weight
配重



make hole
钻孔



cut / remove
切除



option
选择



no cement
不涂胶水



decal
贴纸



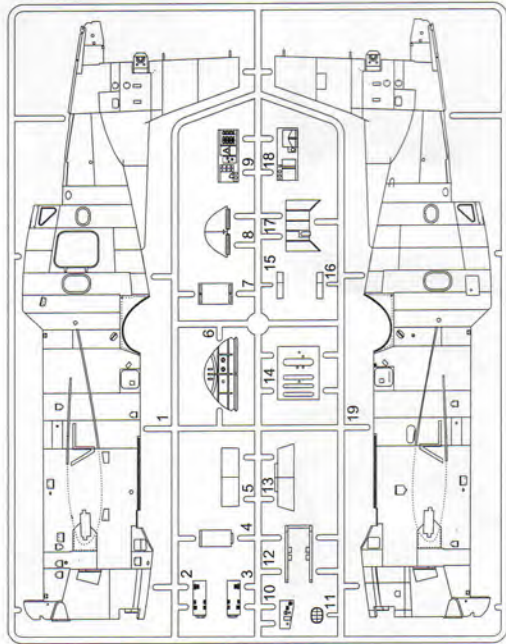
bend
弯曲



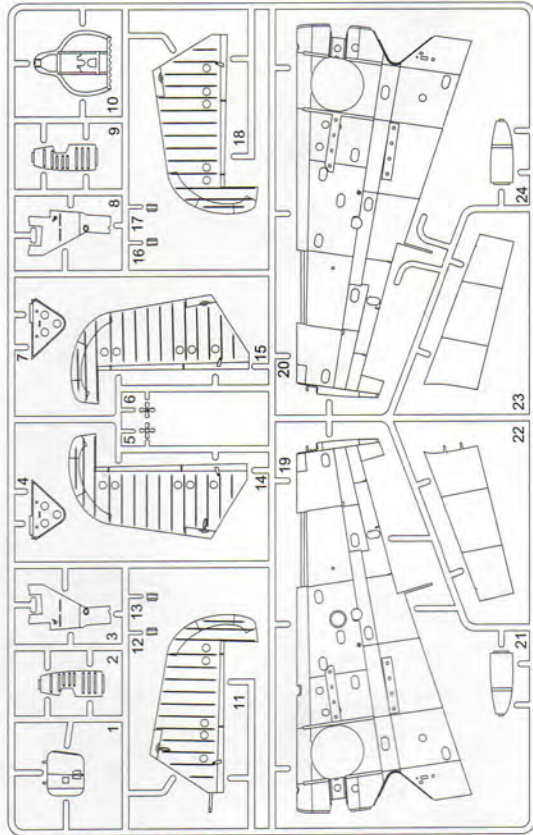
file / sand
锉平

部品图 Parts

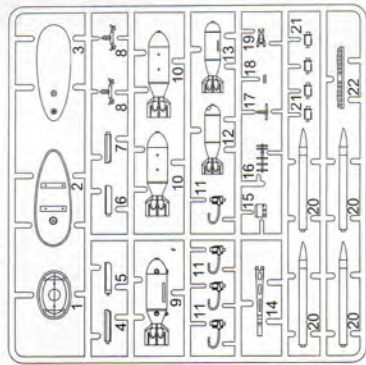
A



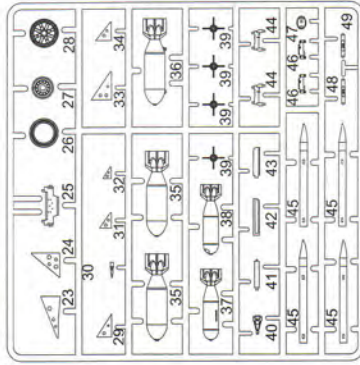
B



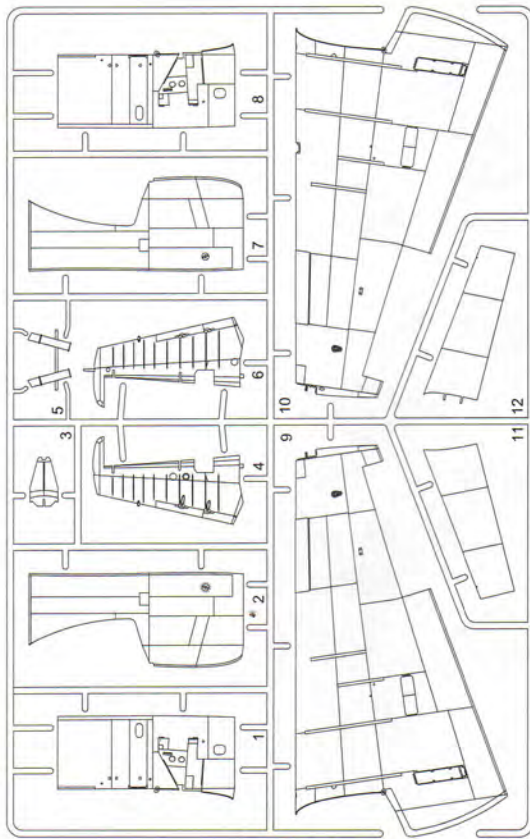
J1 X 2



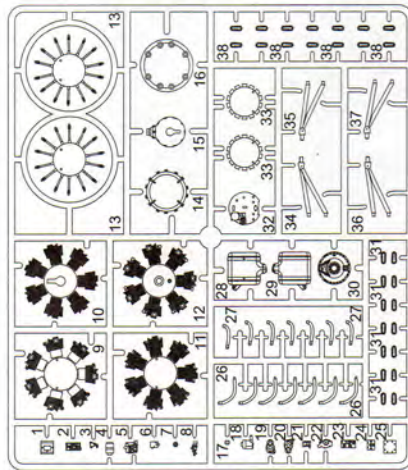
J2 X 2



C

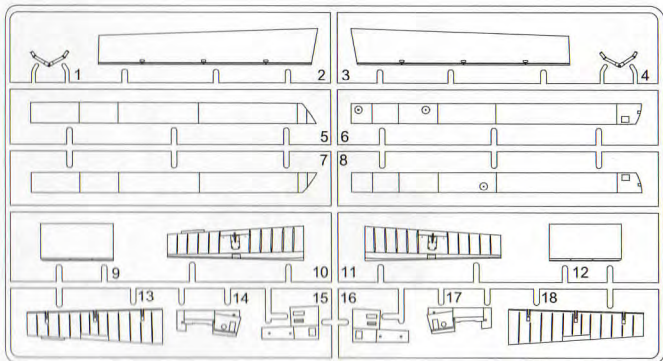
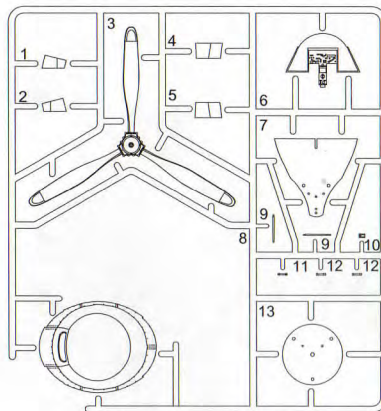
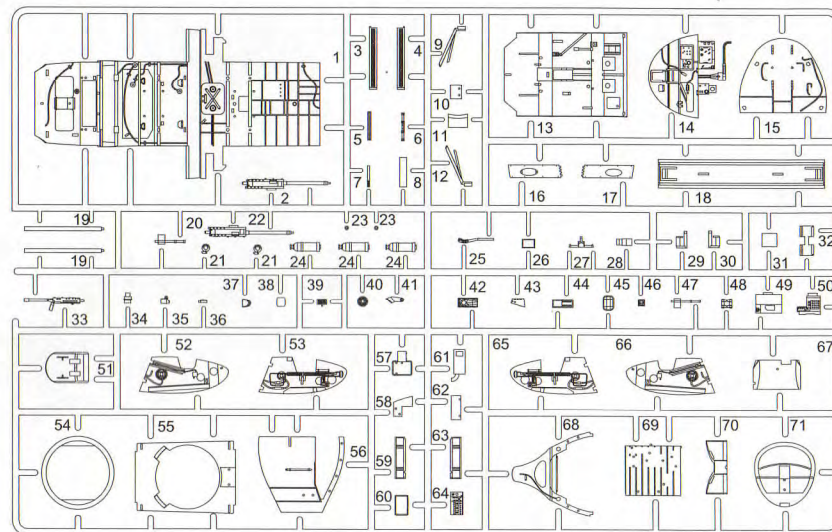
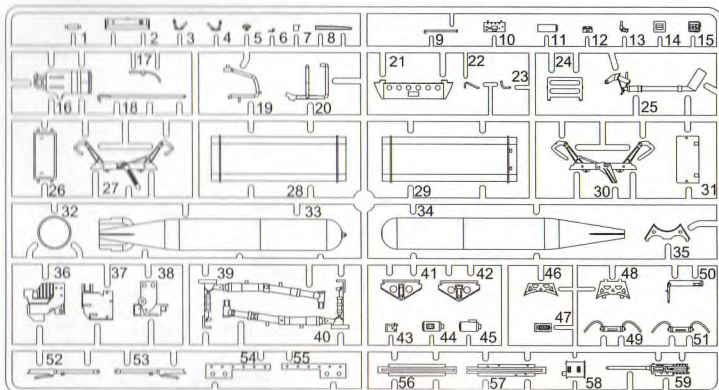


D1

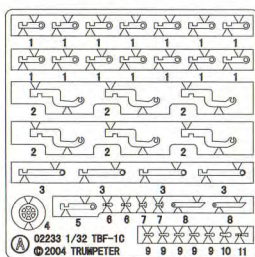


D2

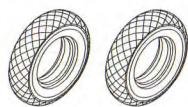


E**F****G****H**

《蚀刻片》A
Photo etched parts (A)



《主轮胎》
Main tire



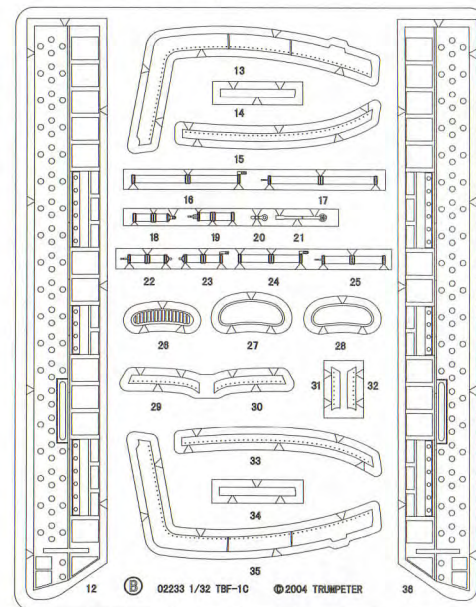
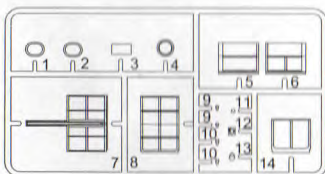
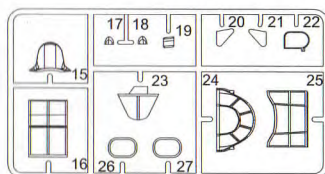
《尾轮胎》
Tail tire



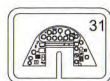
《球形炮塔》
Turret



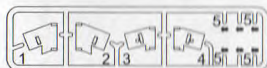
《蚀刻片》B
Photo etched parts (B)

**K1****K2**

《仪表板》
Instrument panel



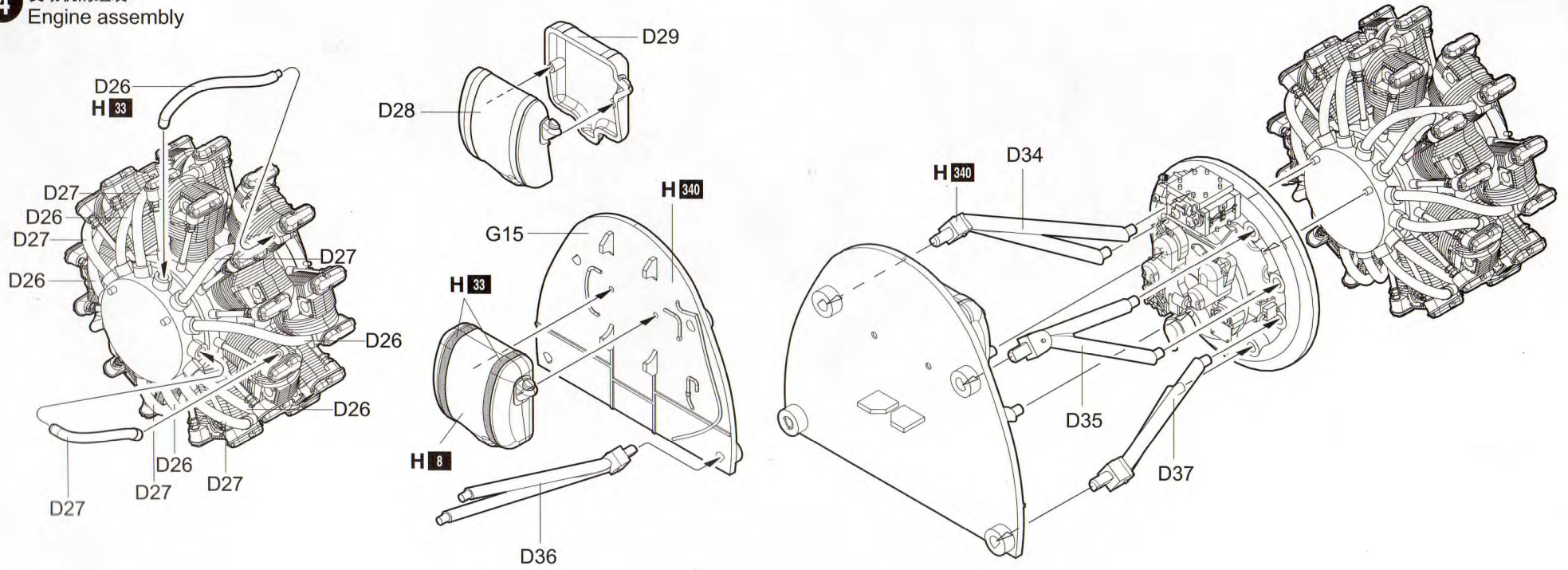
《菲林片》
Film

**L**

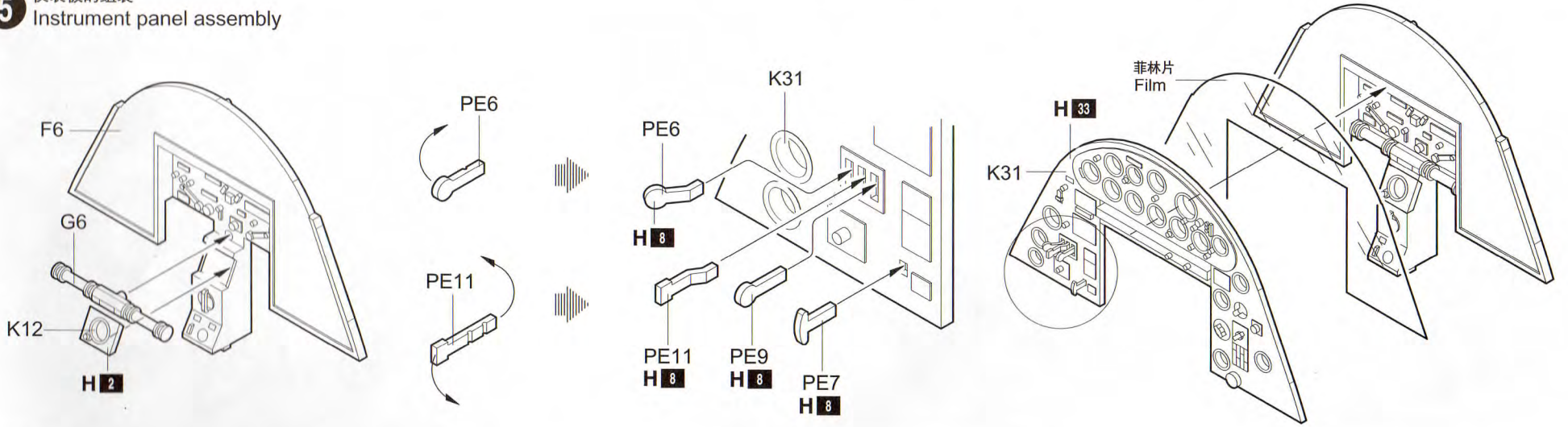
轴 15PCS
Shaft

棉绳 1PCS
Rope

4 发动机的组装
Engine assembly



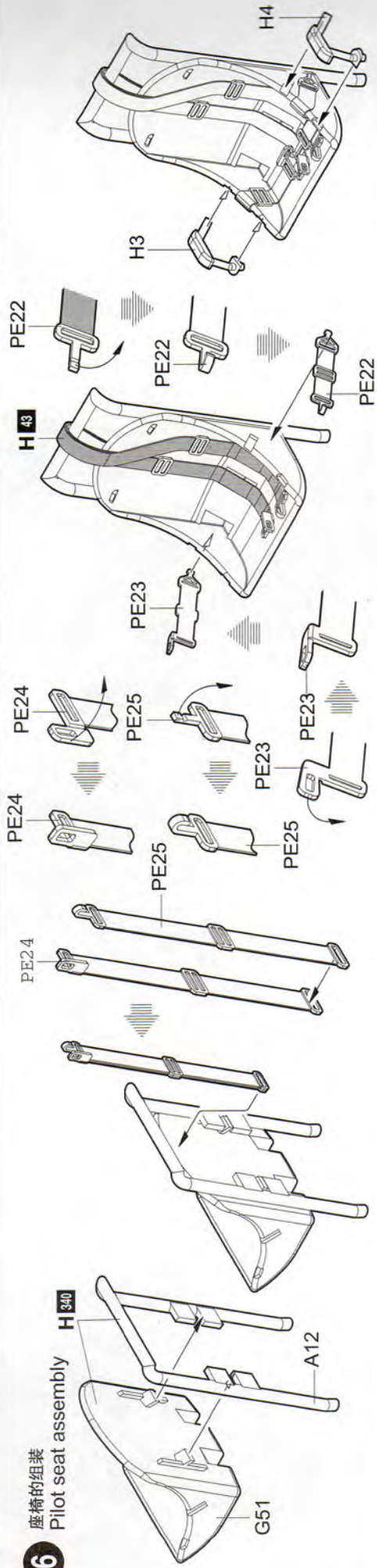
5 仪表板的组装
Instrument panel assembly



6

座椅的组装

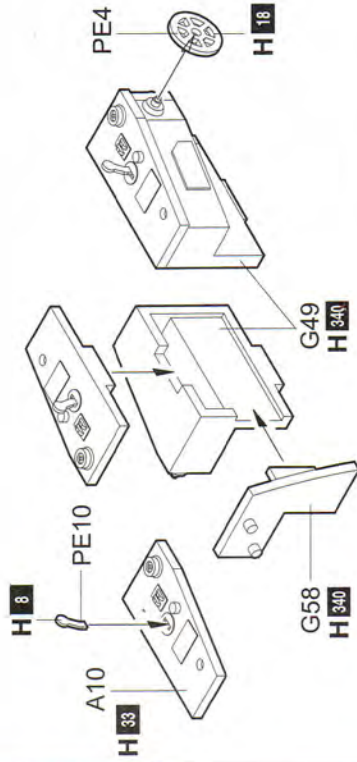
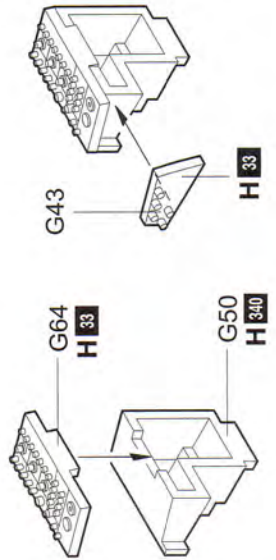
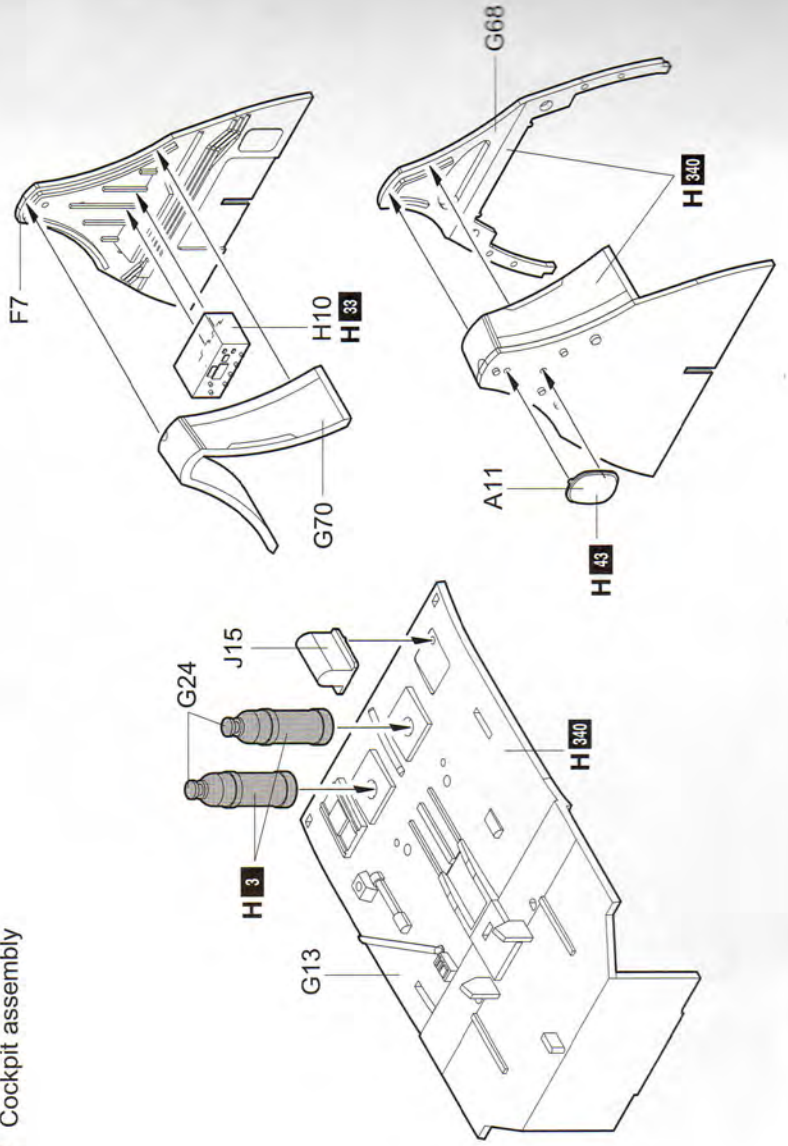
Pilot seat assembly



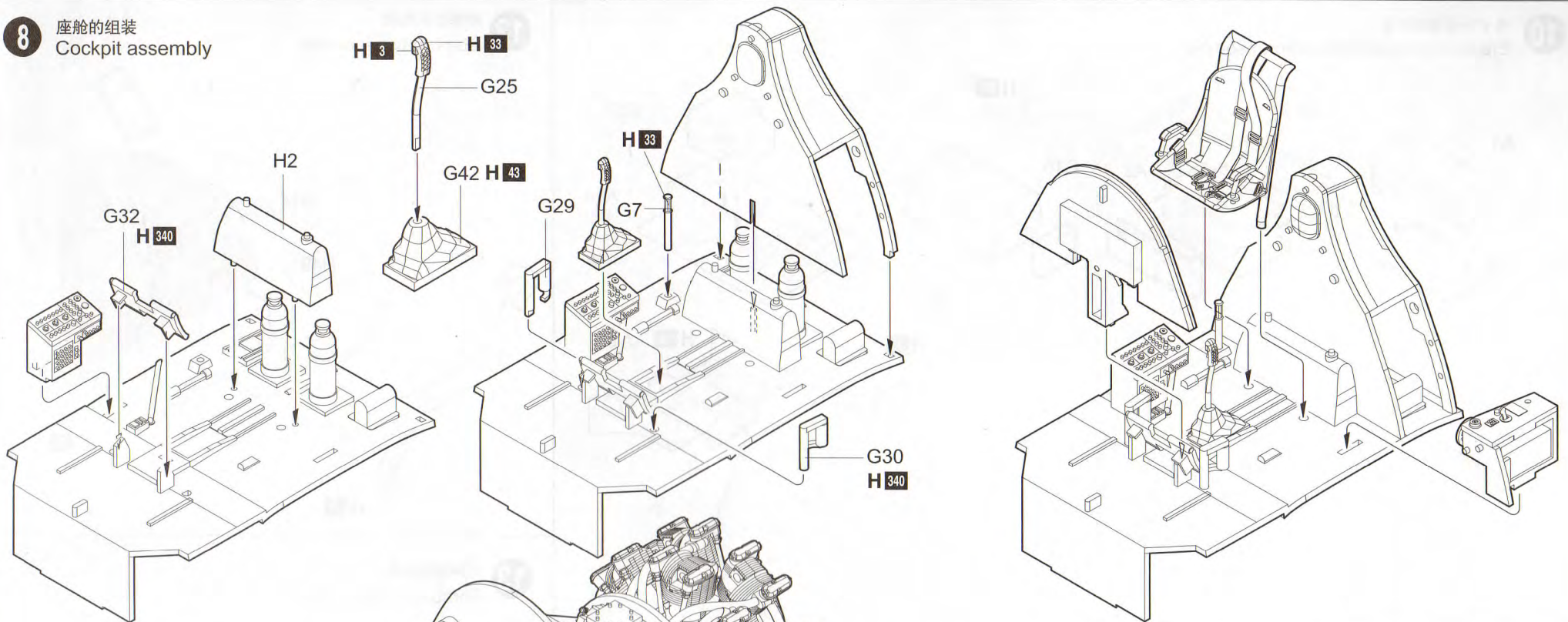
7

座舱的组装

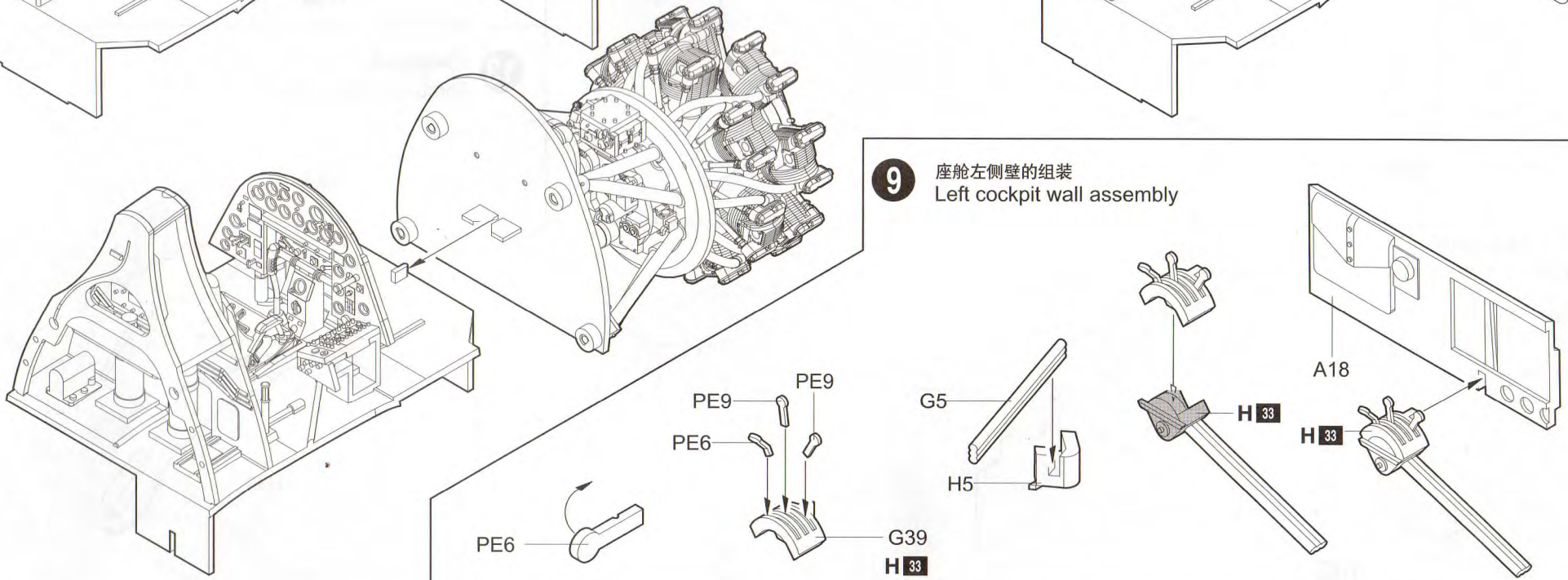
Cockpit assembly



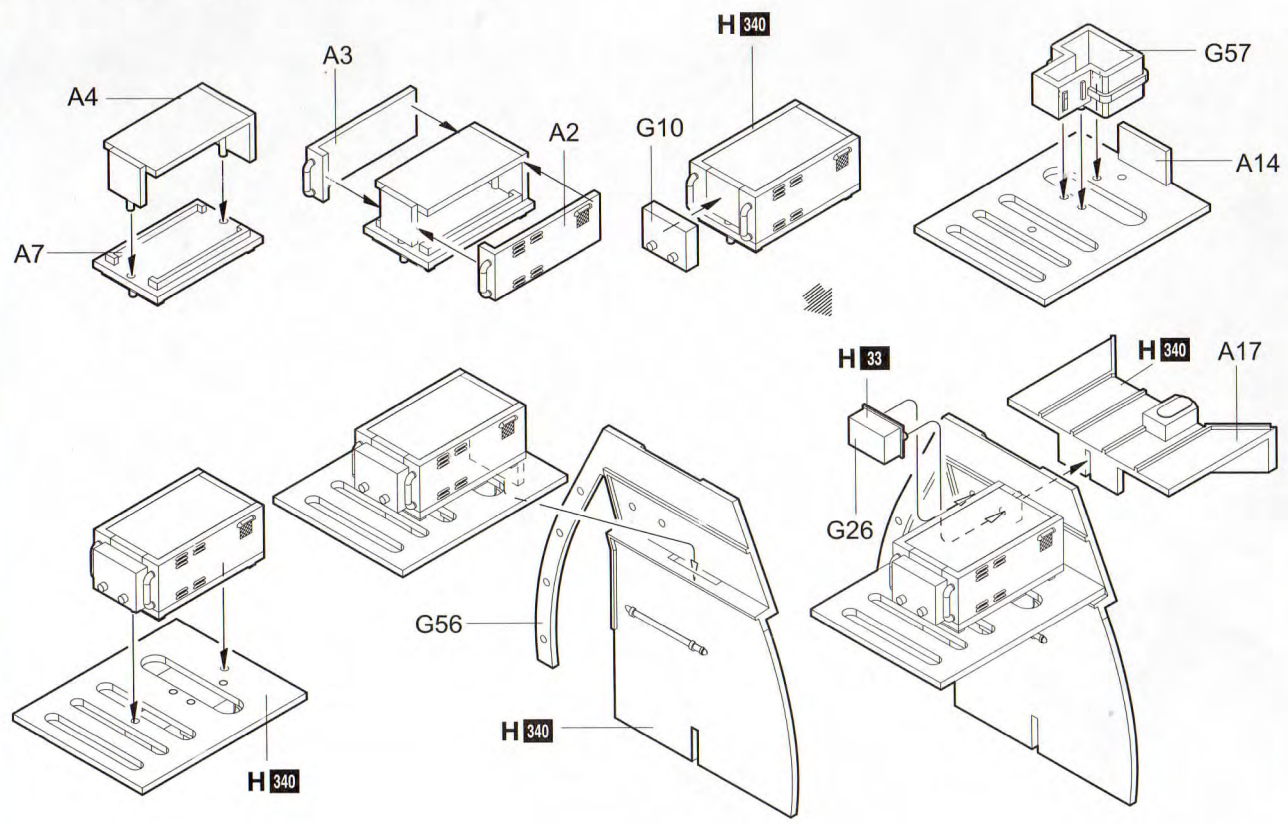
8 座舱的组装
Cockpit assembly



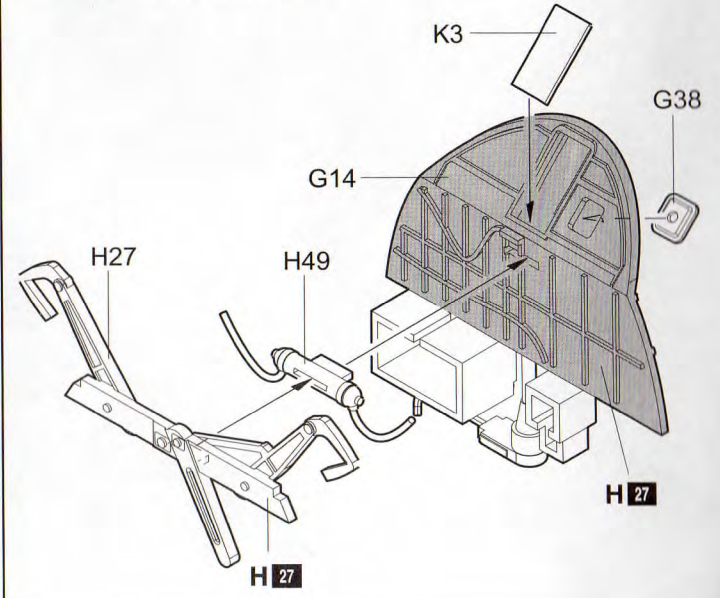
9 座舱左侧壁的组装
Left cockpit wall assembly



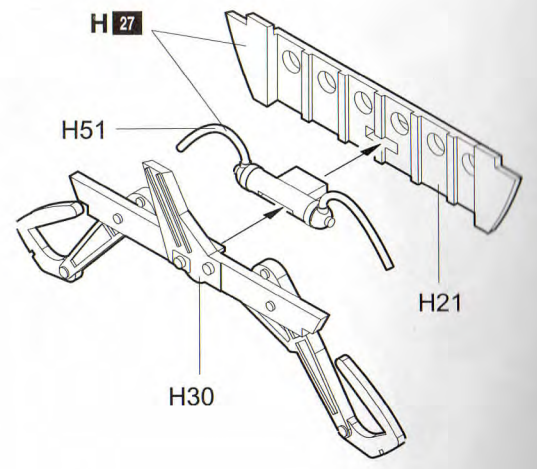
10 电子设备舱的组装
Electronic equipment cabin assembly



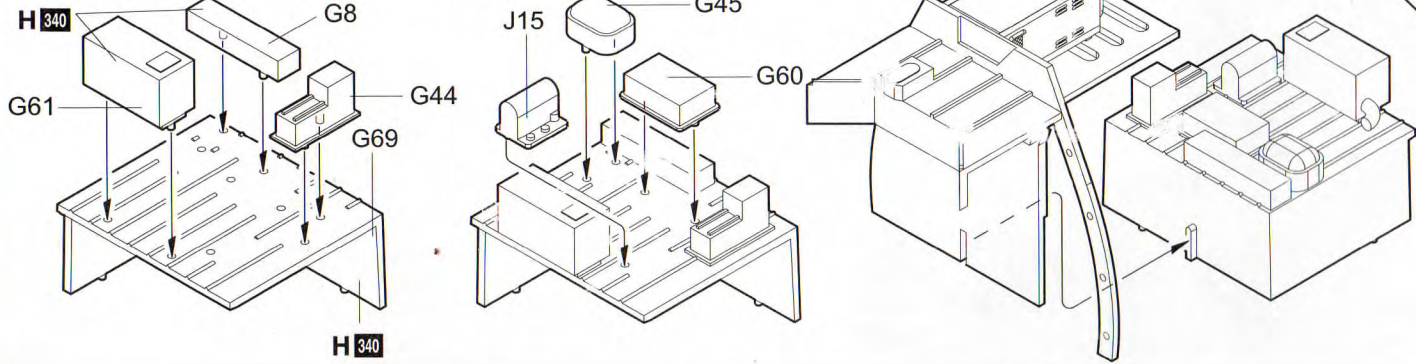
12 炸弹舱的组装
Bomb bay assembly



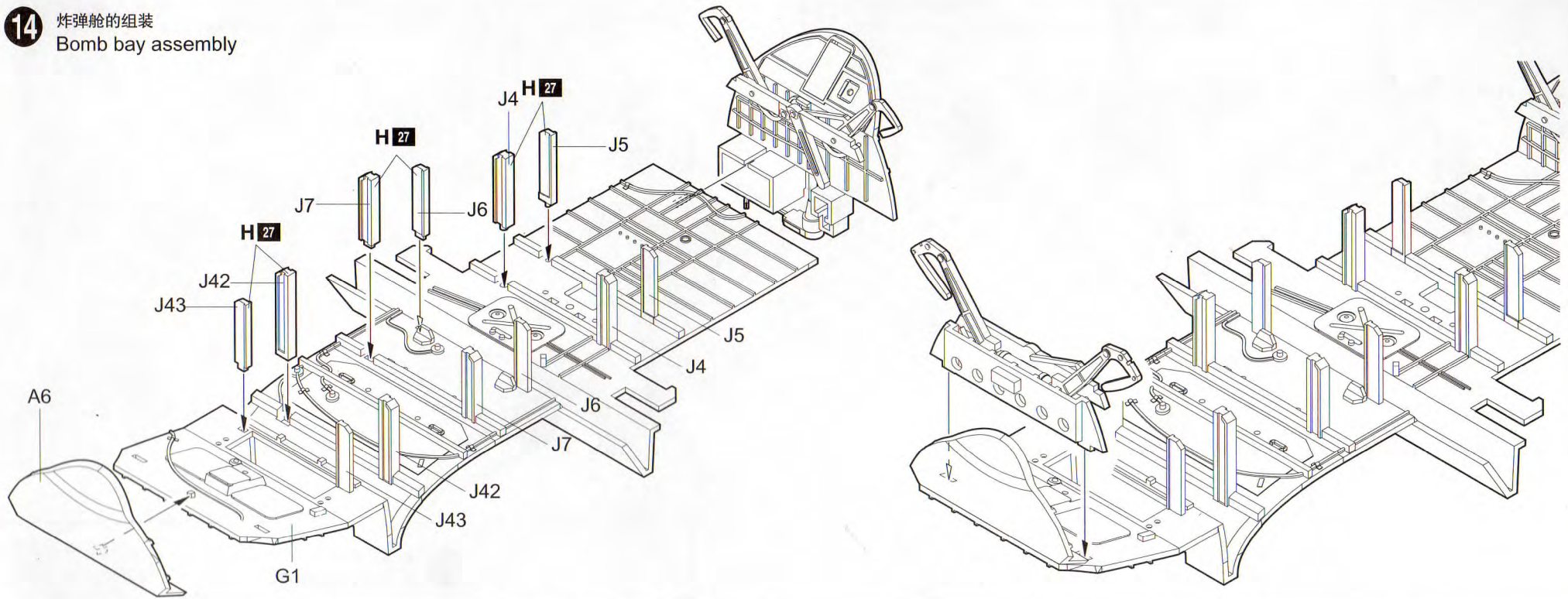
13 炸弹舱的组装
Bomb bay assembly



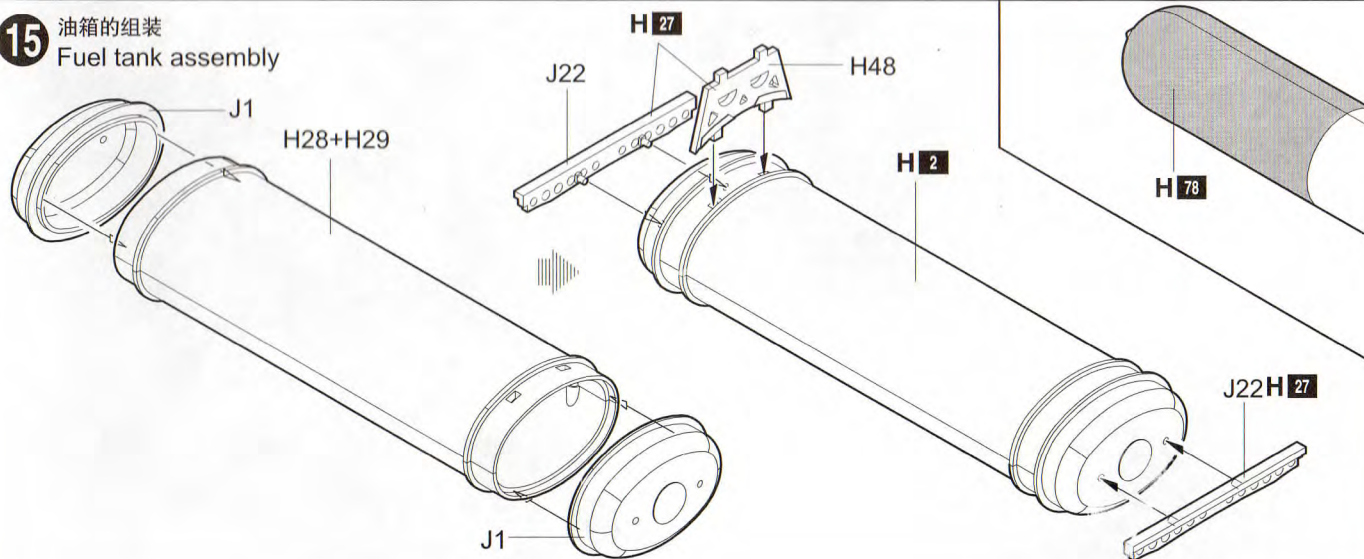
11 电子设备舱的组装
Electronic equipment cabin assembly



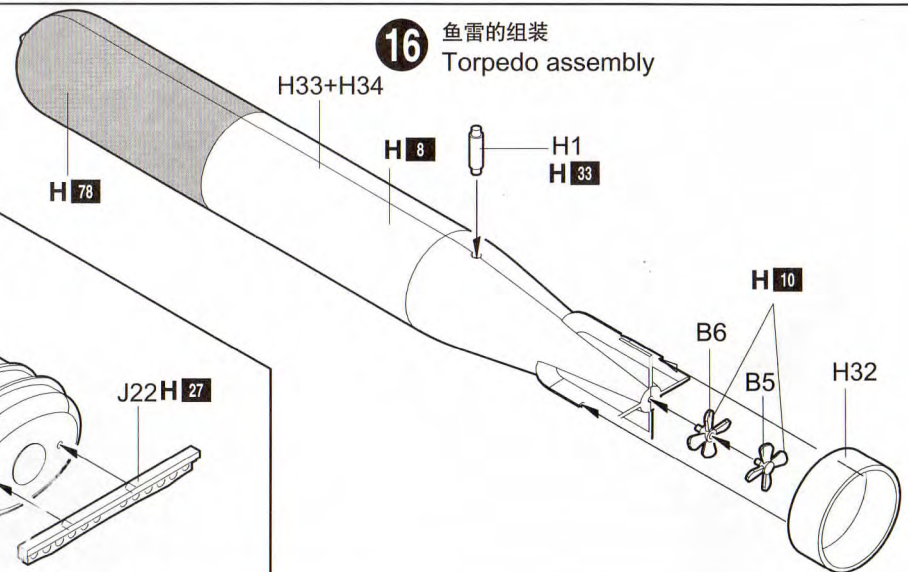
14 炸弹舱的组装
Bomb bay assembly



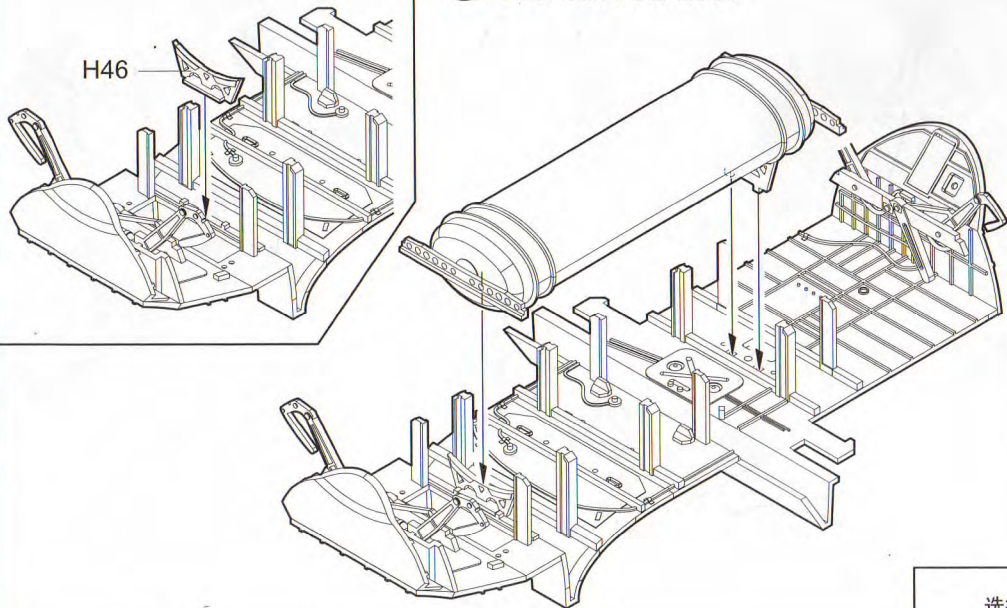
15 油箱的组装
Fuel tank assembly



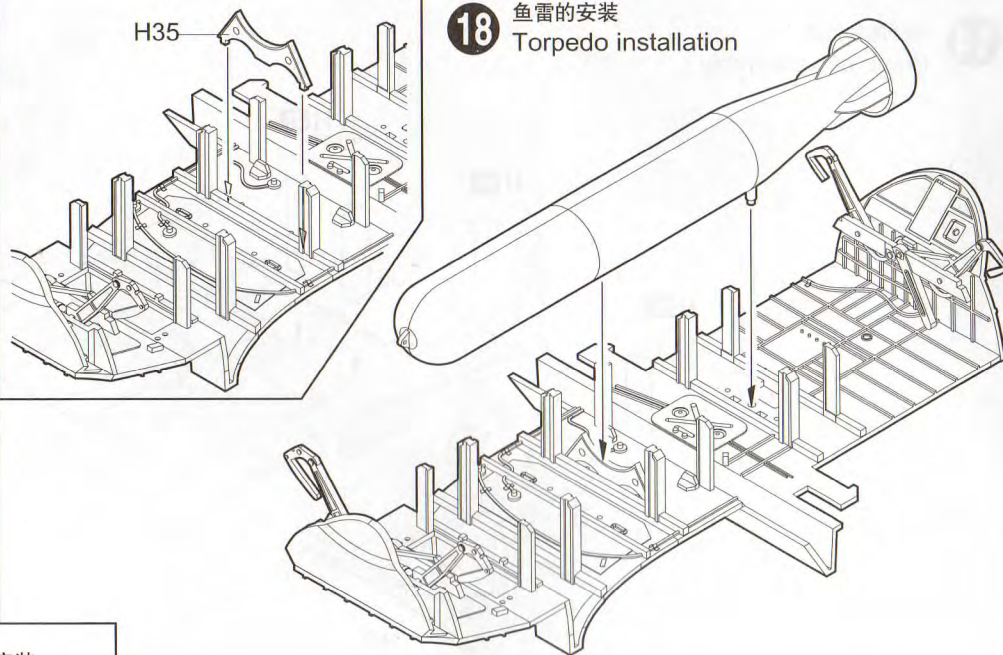
16 鱼雷的组装
Torpedo assembly



17 油箱的安装
Fuel tank installation

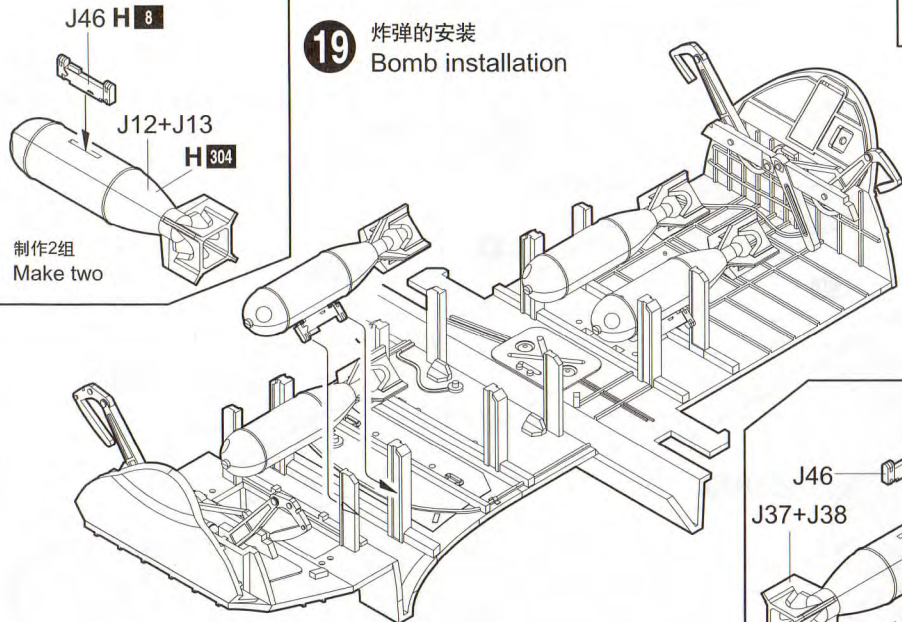


18 鱼雷的安装
Torpedo installation

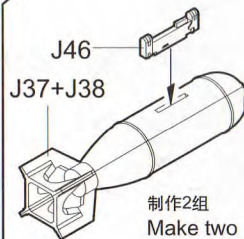
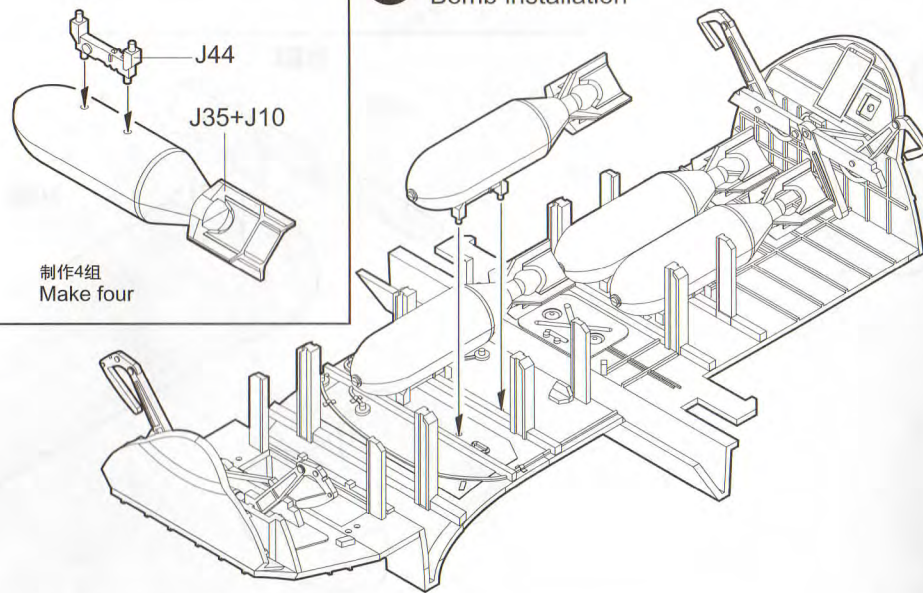


选择安装
Option

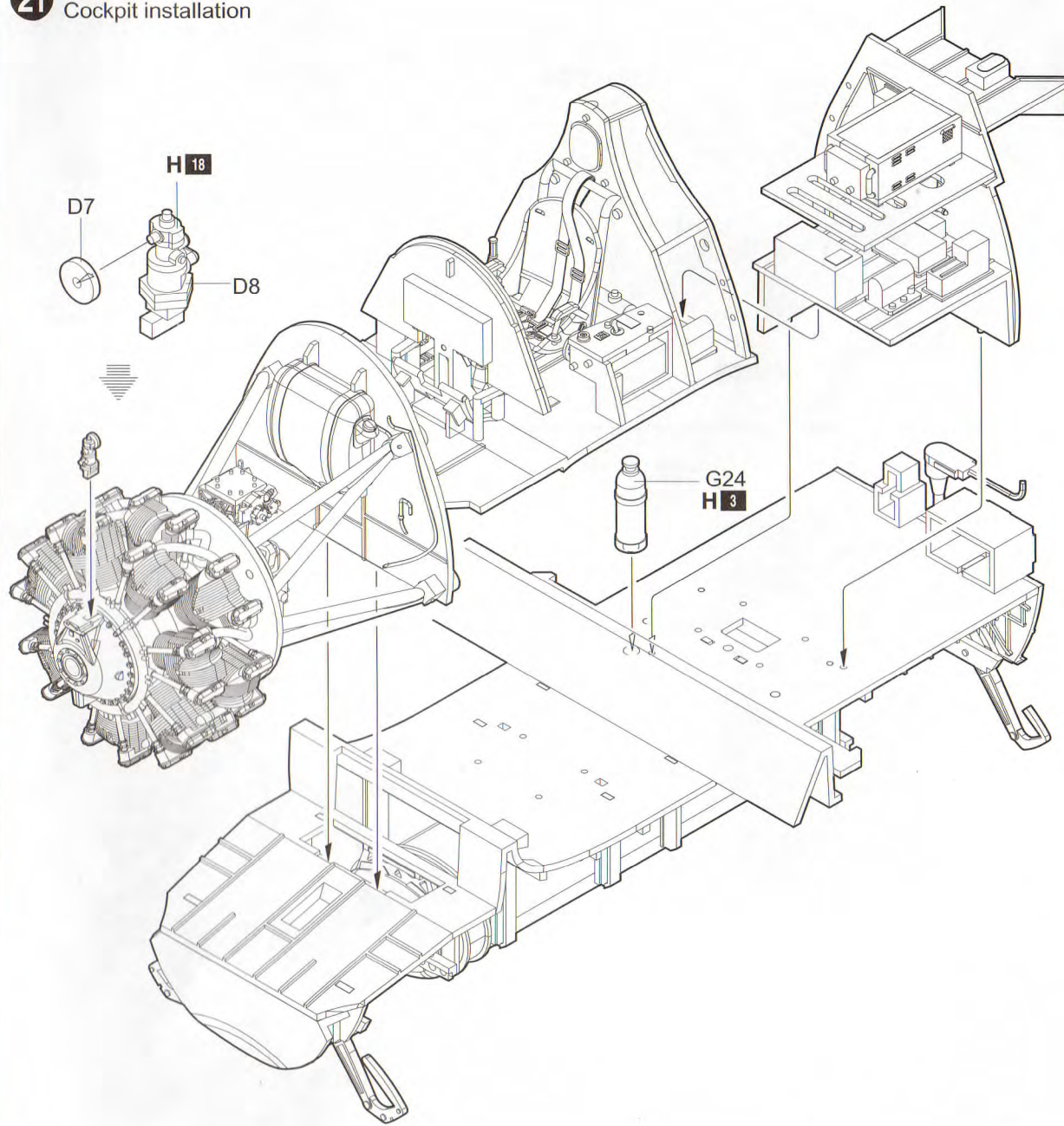
19 炸弹的安装
Bomb installation



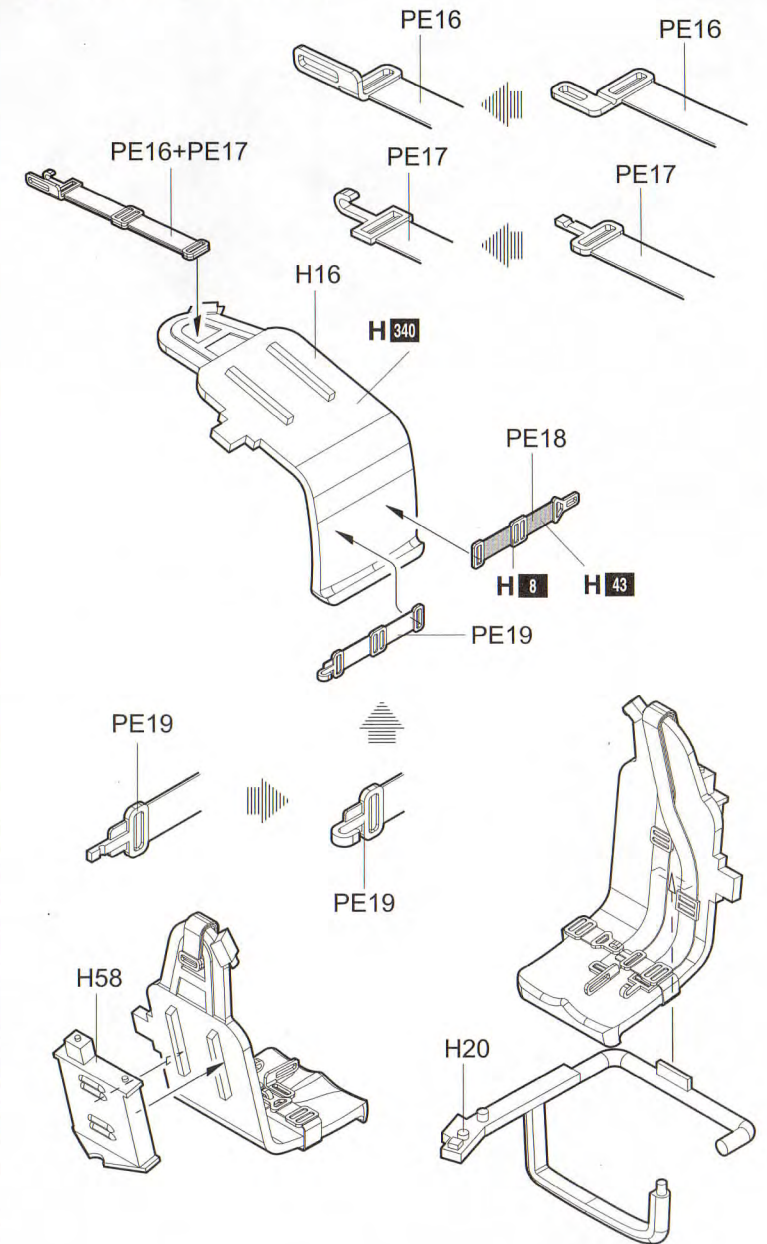
20 炸弹的安装
Bomb installation



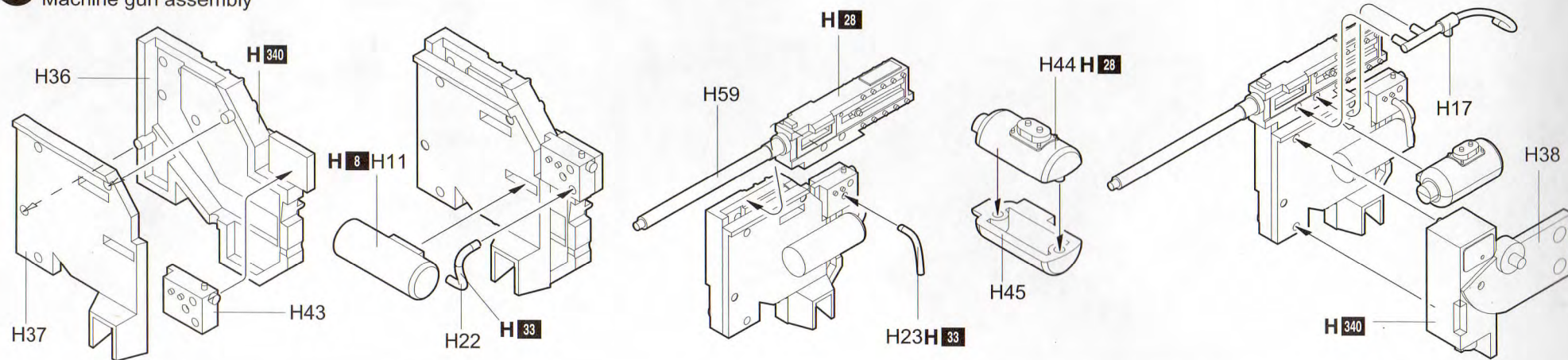
21 座舱的安装
Cockpit installation



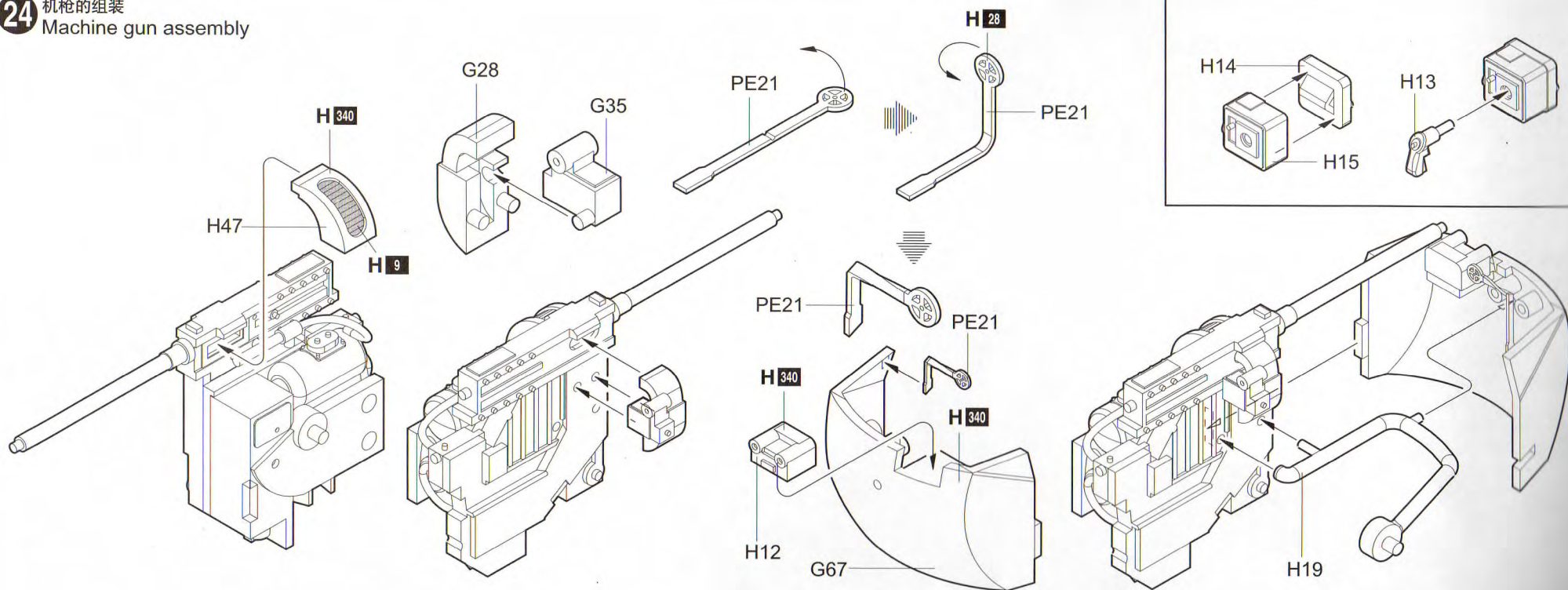
22 机枪手座椅的组装
Gunner seat assembly



23 机枪的组装
Machine gun assembly

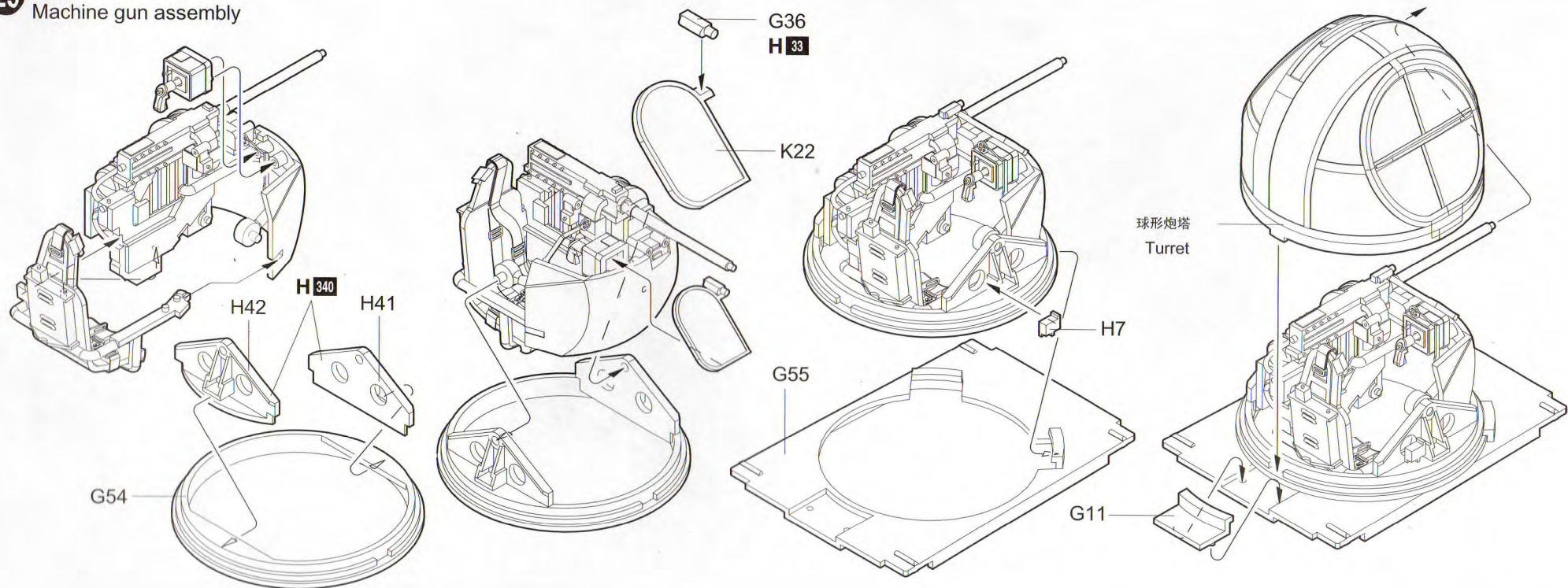


24 机枪的组装
Machine gun assembly



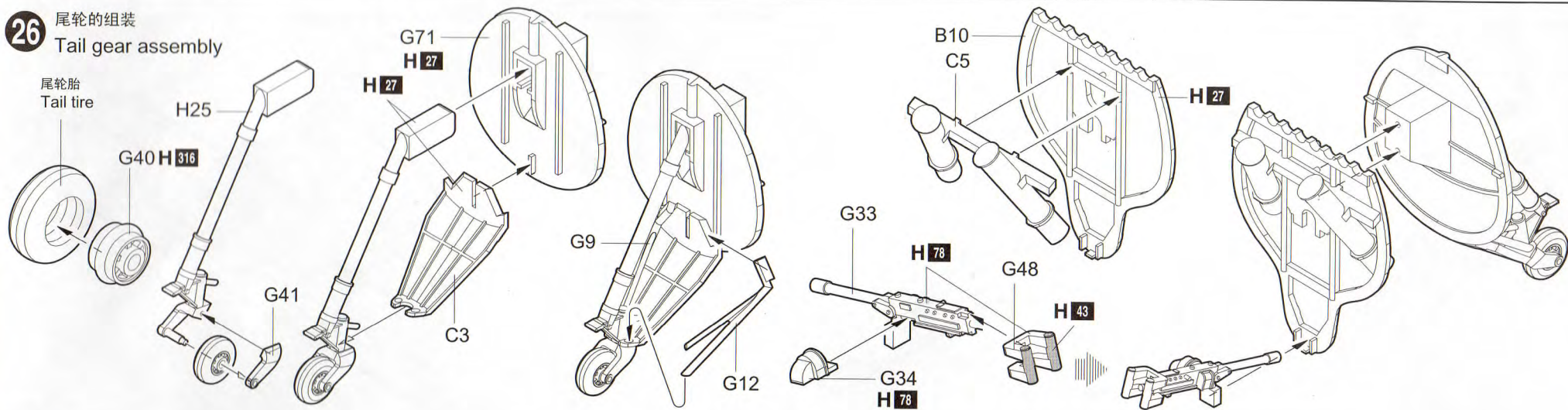
25

机枪的组装
Machine gun assembly

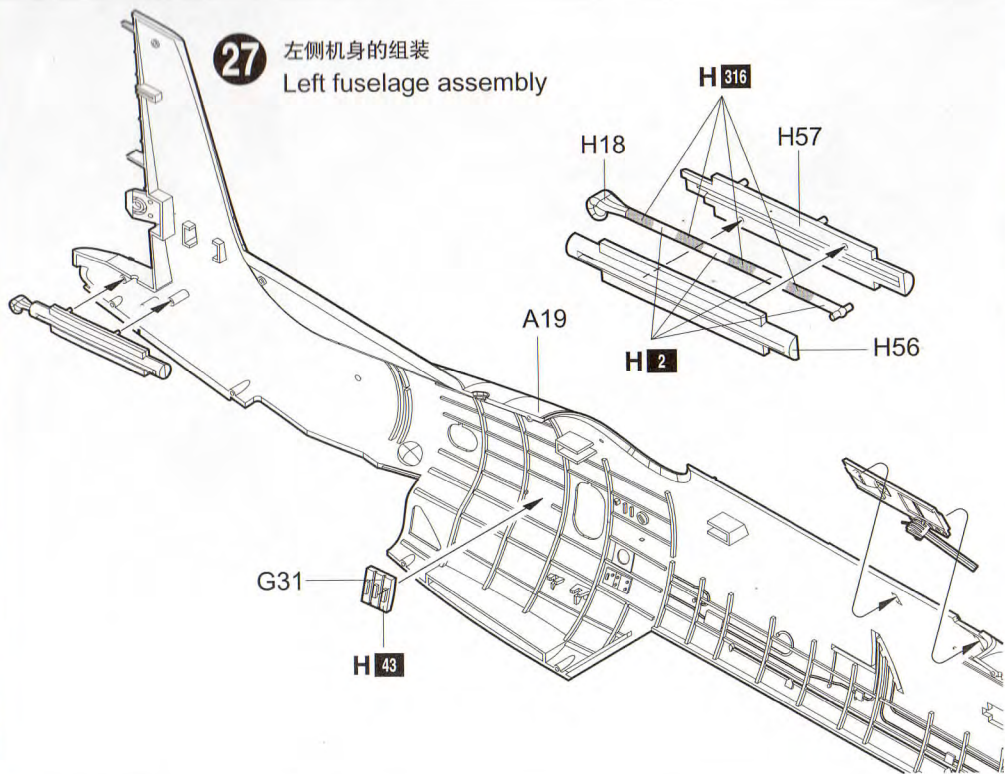


26

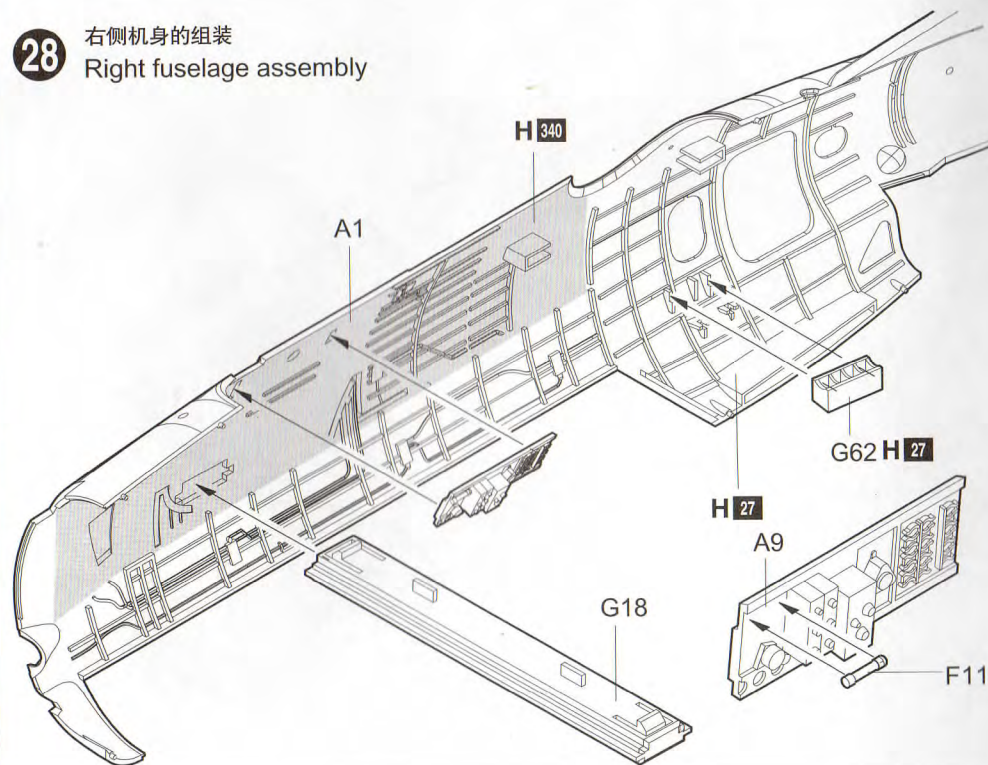
尾轮的组装
Tail gear assembly



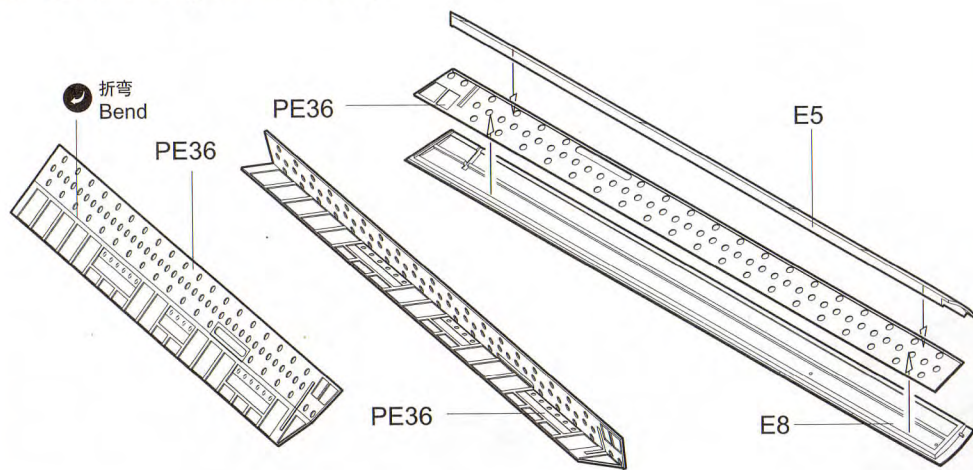
27 左侧机身的组装
Left fuselage assembly



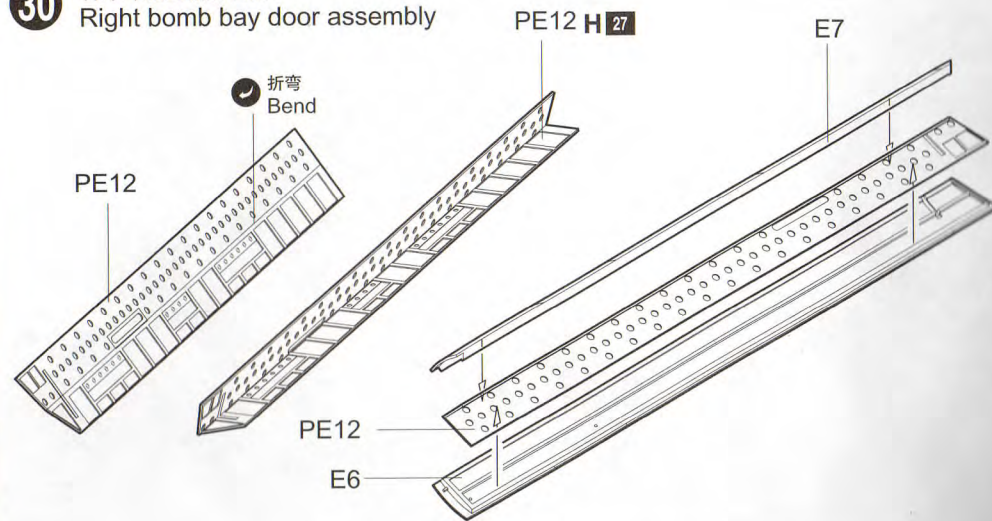
28 右侧机身的组装
Right fuselage assembly



29 左炸弹舱盖板的组装
Left bomb bay door assembly

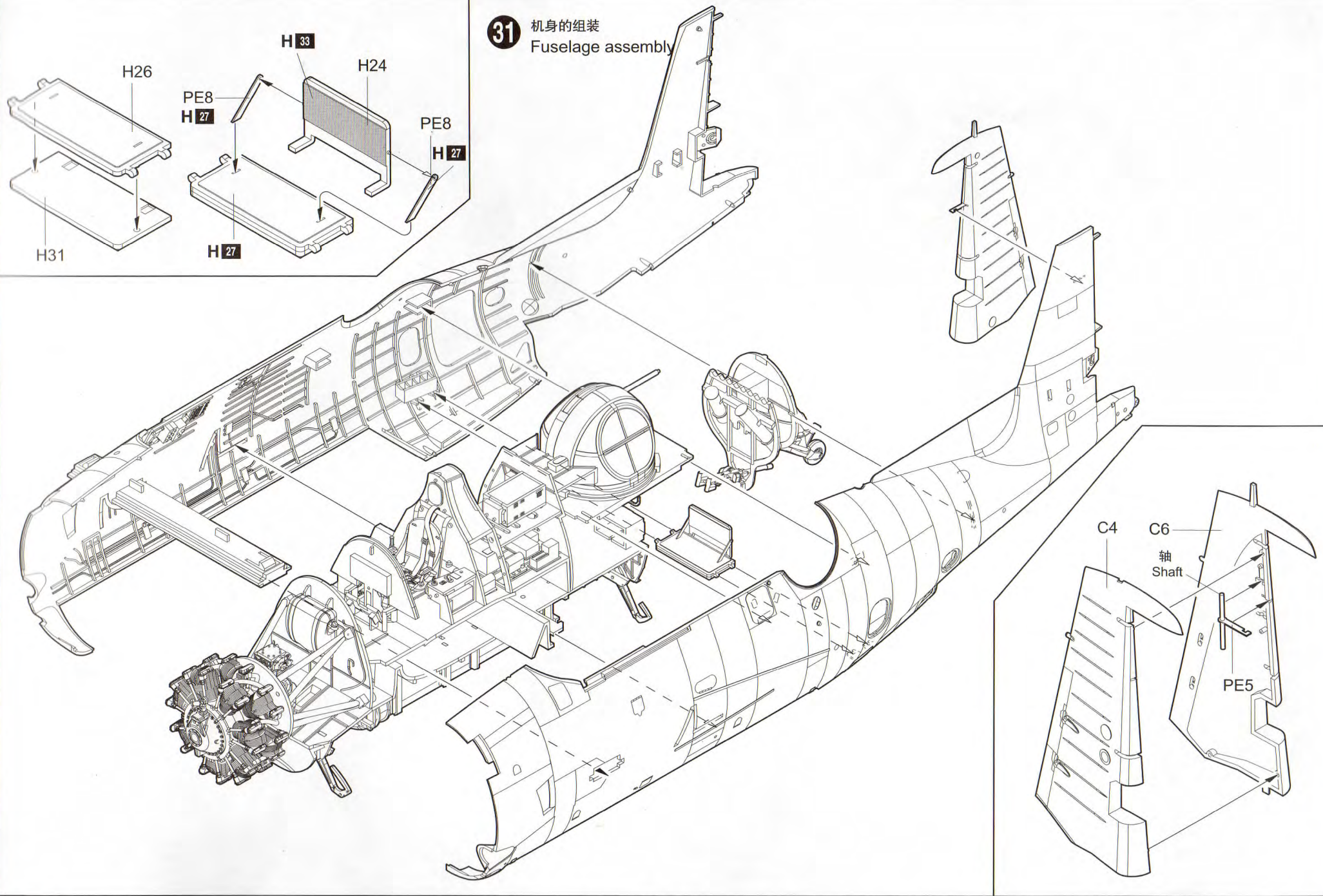


30 右炸弹舱盖板的组装
Right bomb bay door assembly



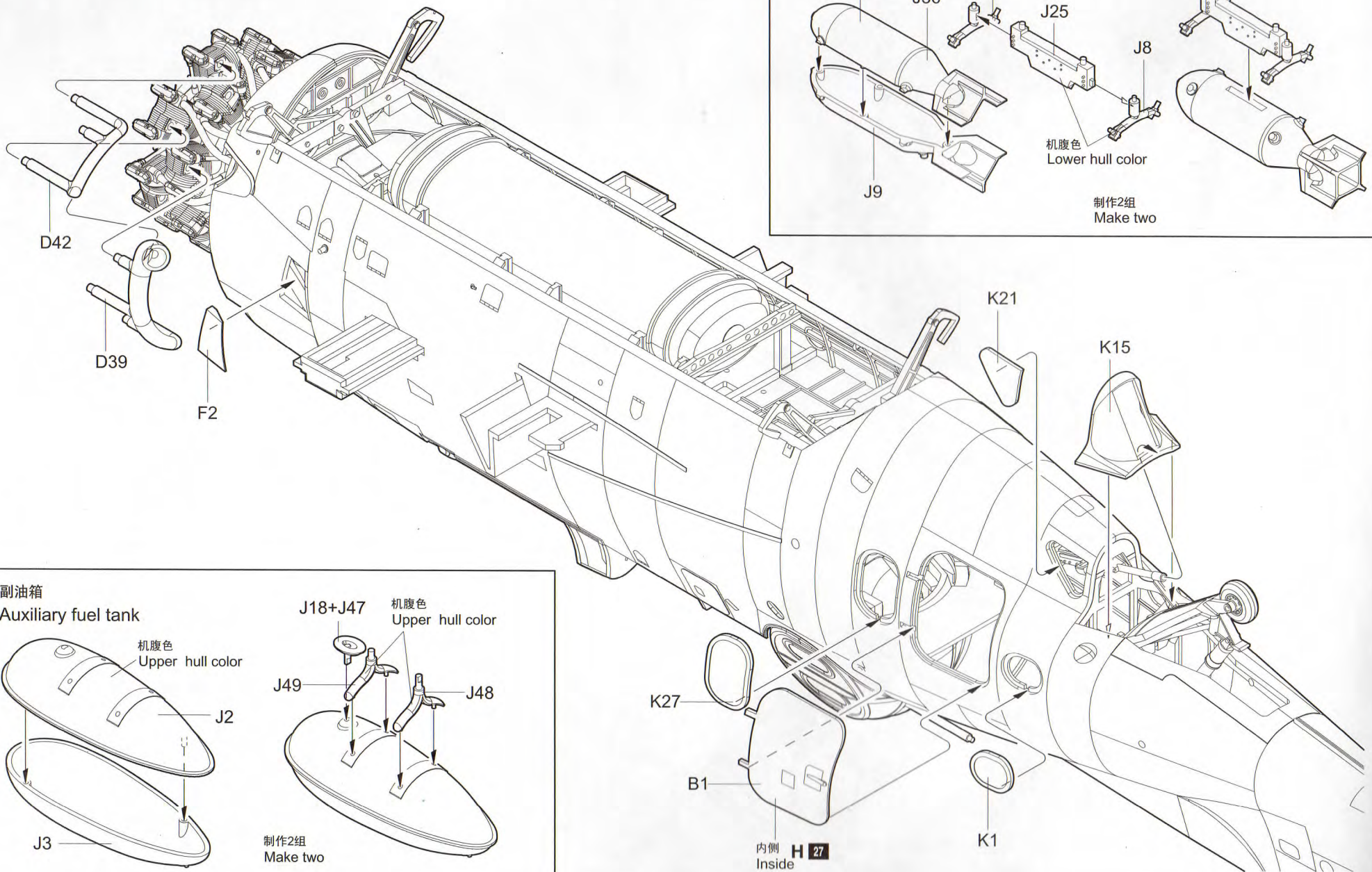
31

机身的组装
Fuselage assembly

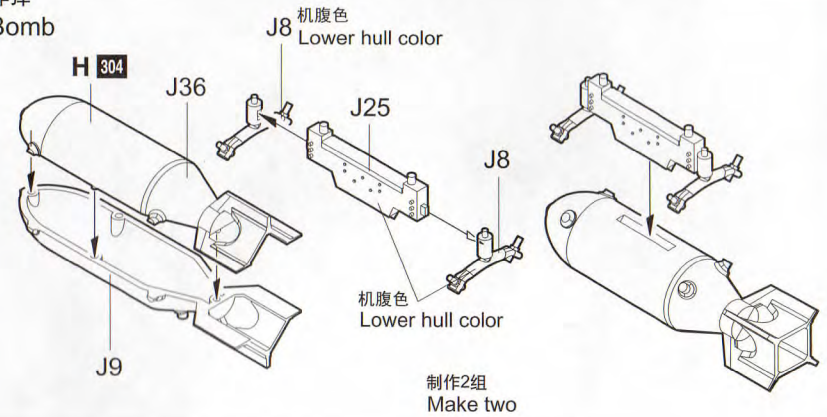


32

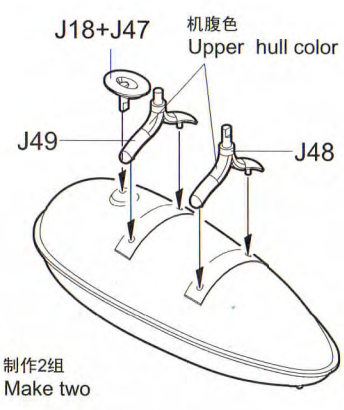
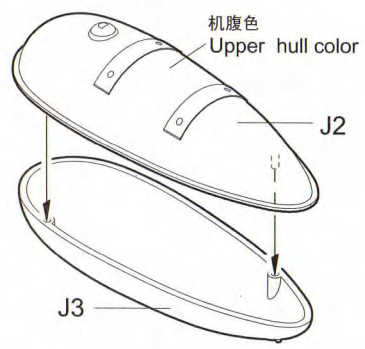
右侧排气管的安装
Right exhaust pipe installation



炸弹
Bomb

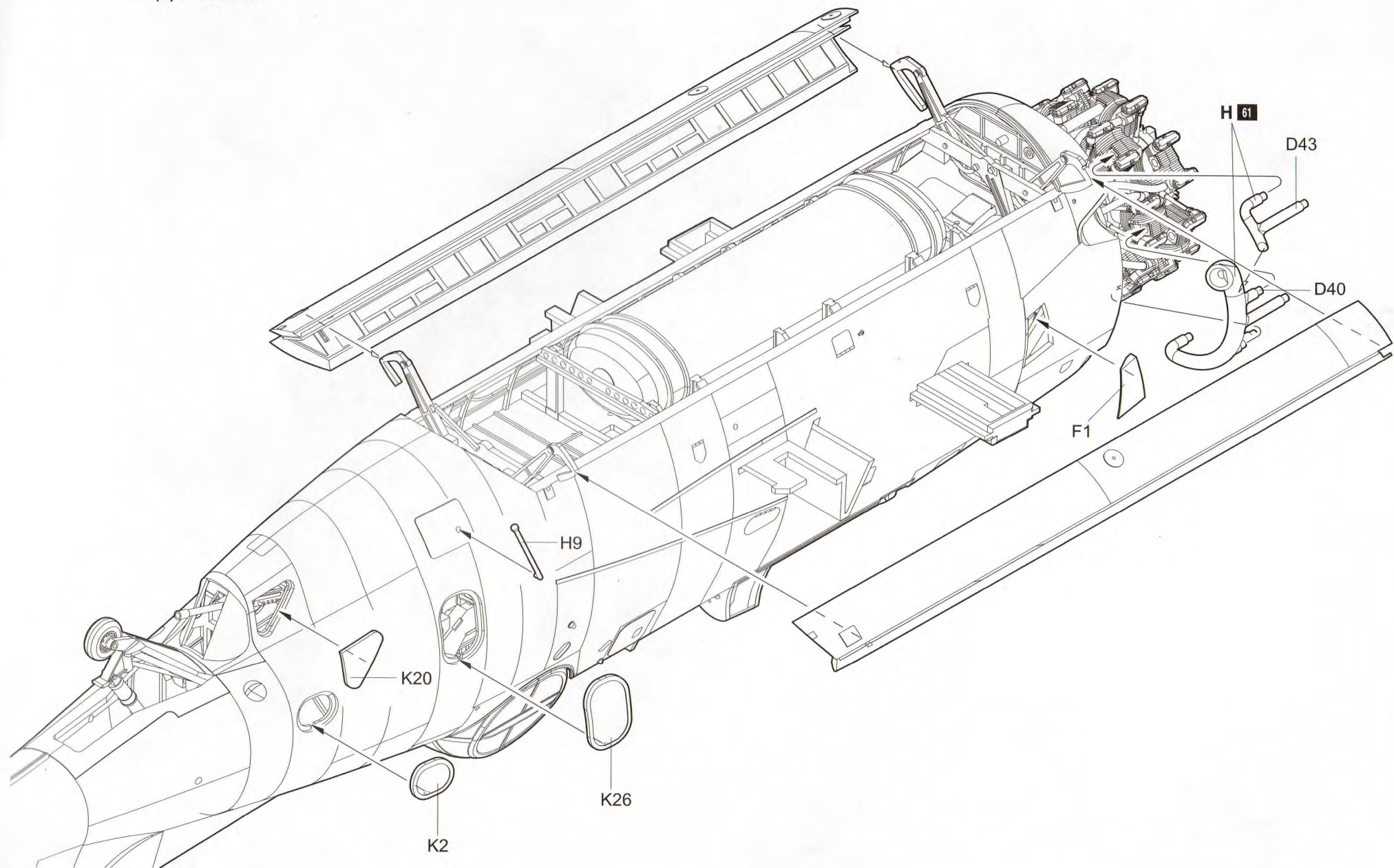


副油箱
Auxiliary fuel tank

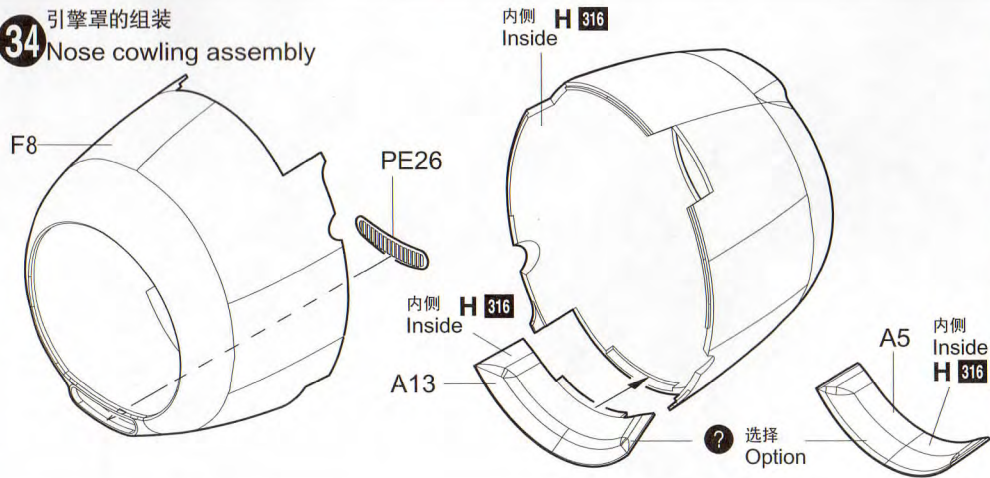


33

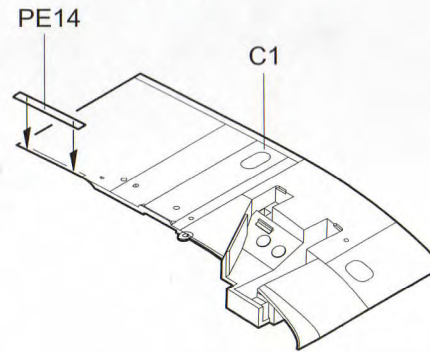
左侧排气管的安装
Left exhaust pipe installation



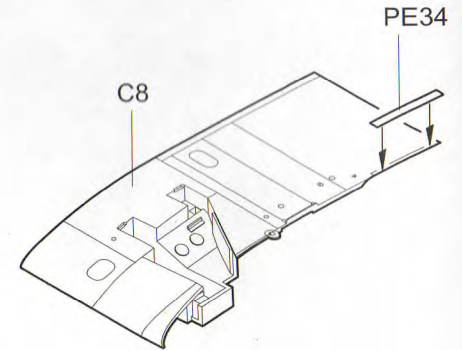
34 引擎罩的组装
Nose cowl assembly



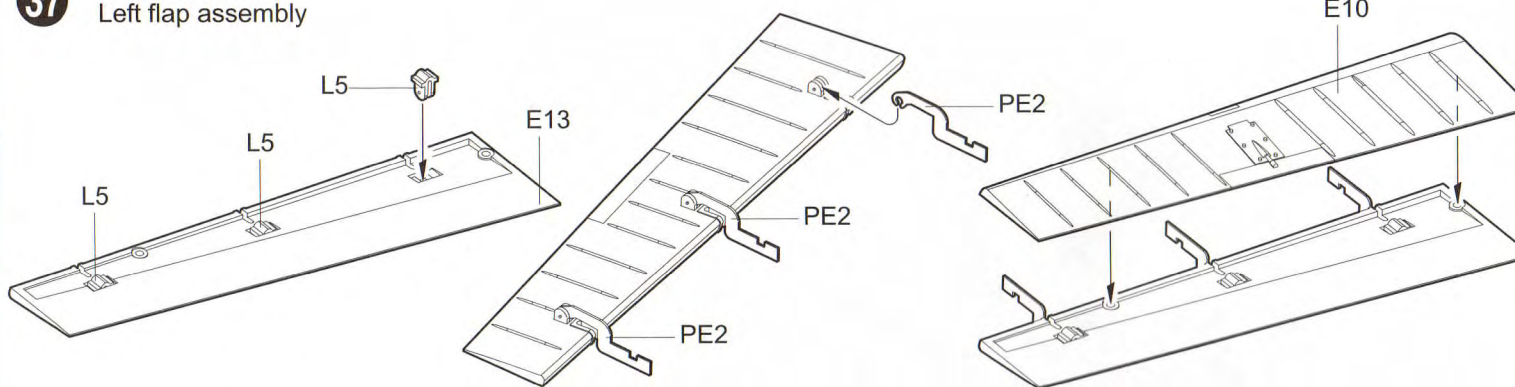
35 左侧固定机翼的组装
Left fixing wing assembly



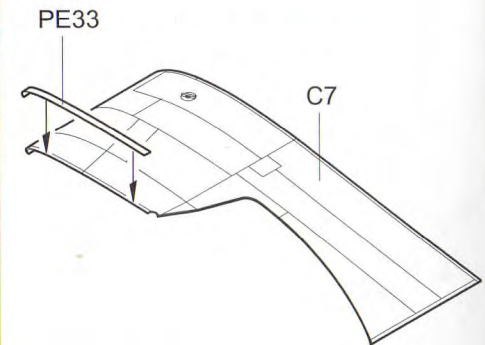
36 右侧固定机翼的组装
Right fixing wing assembly



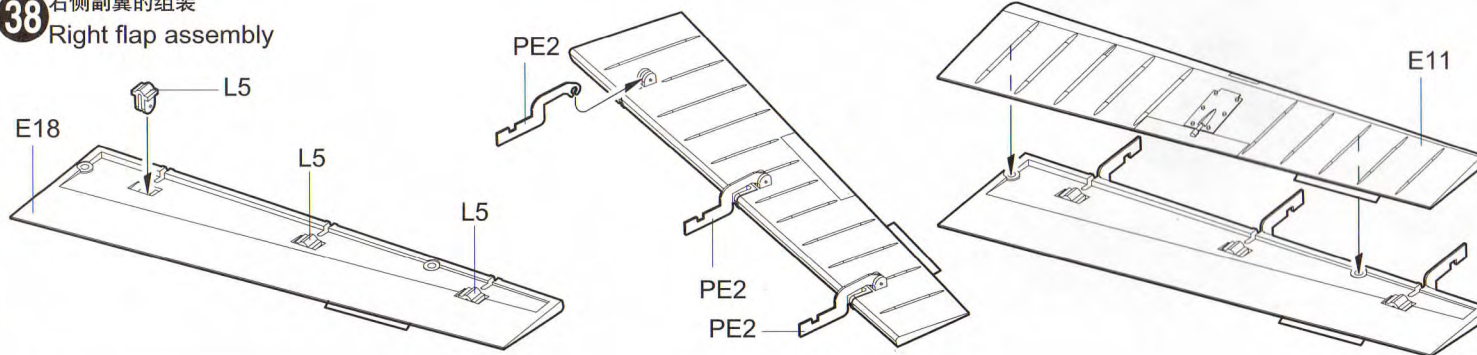
37 左侧副翼的组装
Left flap assembly



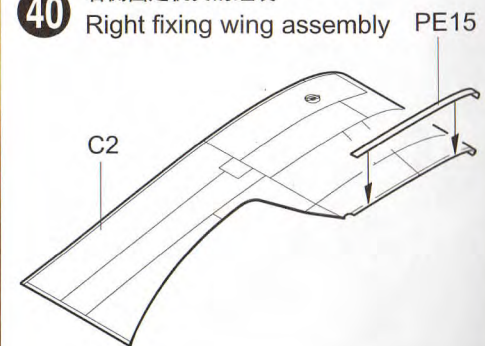
39 左侧固定机翼的组装
Left fixing wing assembly



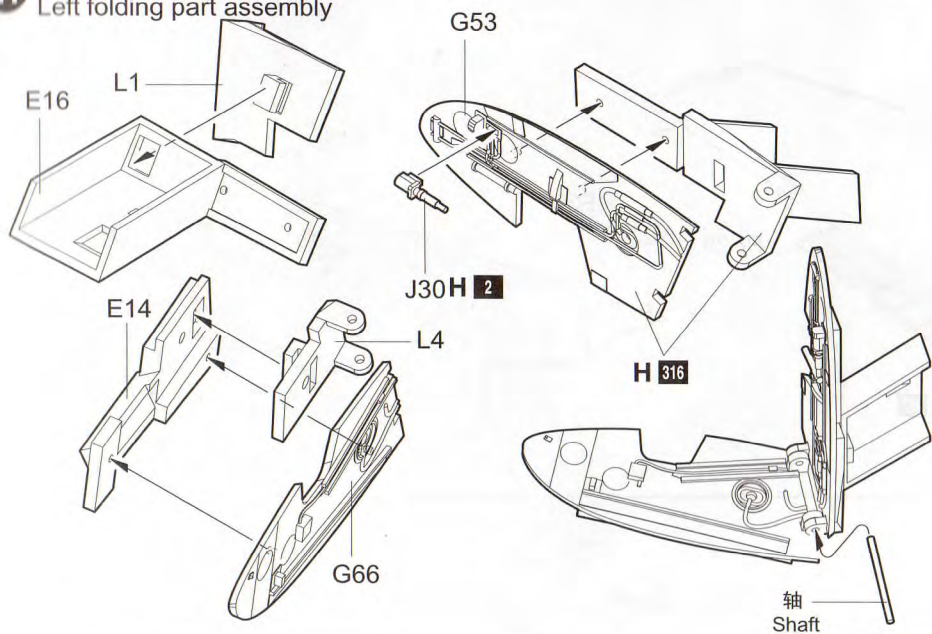
38 右侧副翼的组装
Right flap assembly



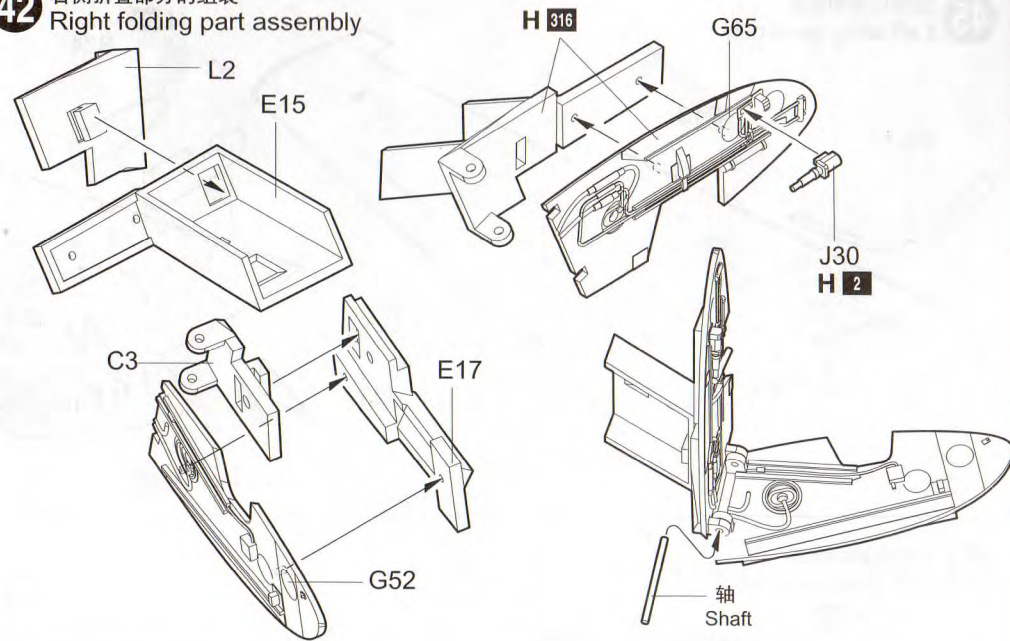
40 右侧固定机翼的组装
Right fixing wing assembly



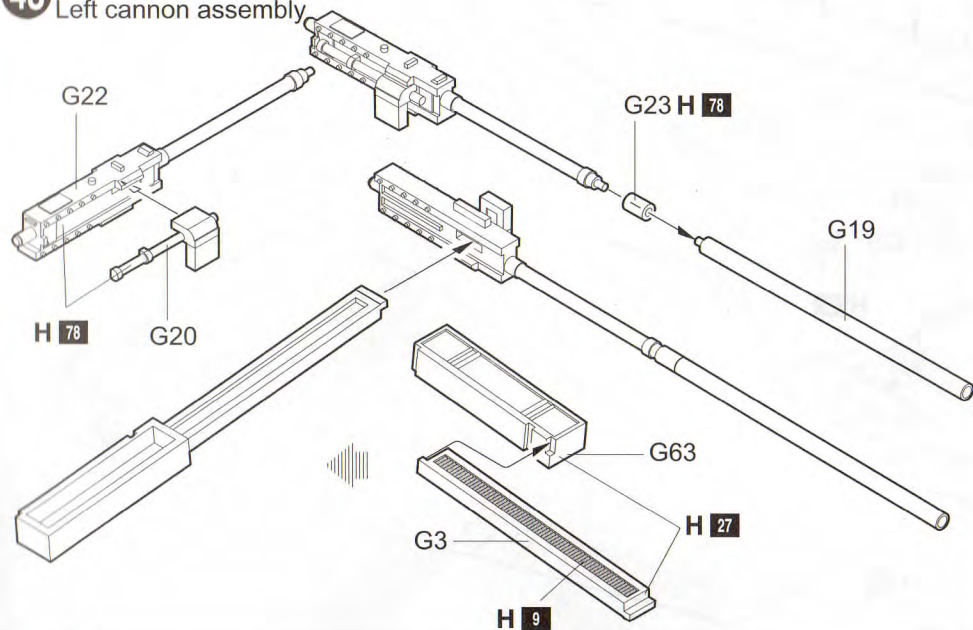
41 左侧折叠部分的组装
Left folding part assembly



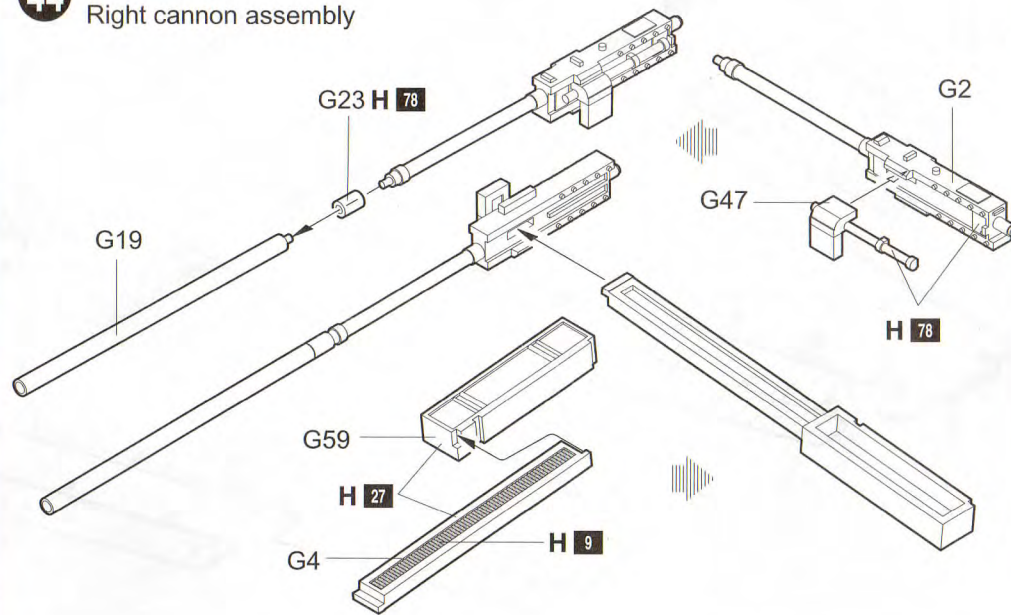
42 右侧折叠部分的组装
Right folding part assembly



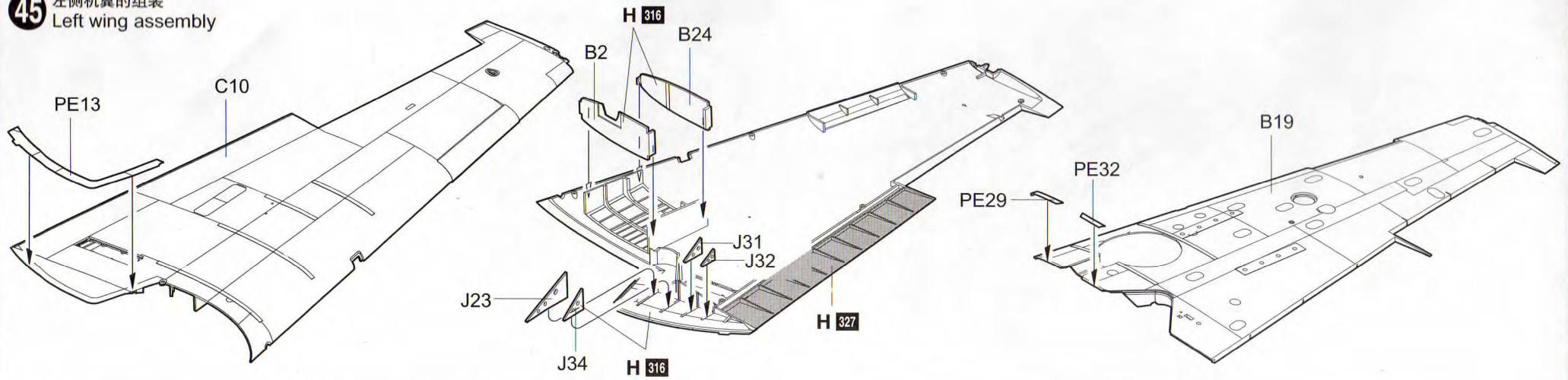
43 左侧机枪的组装
Left cannon assembly



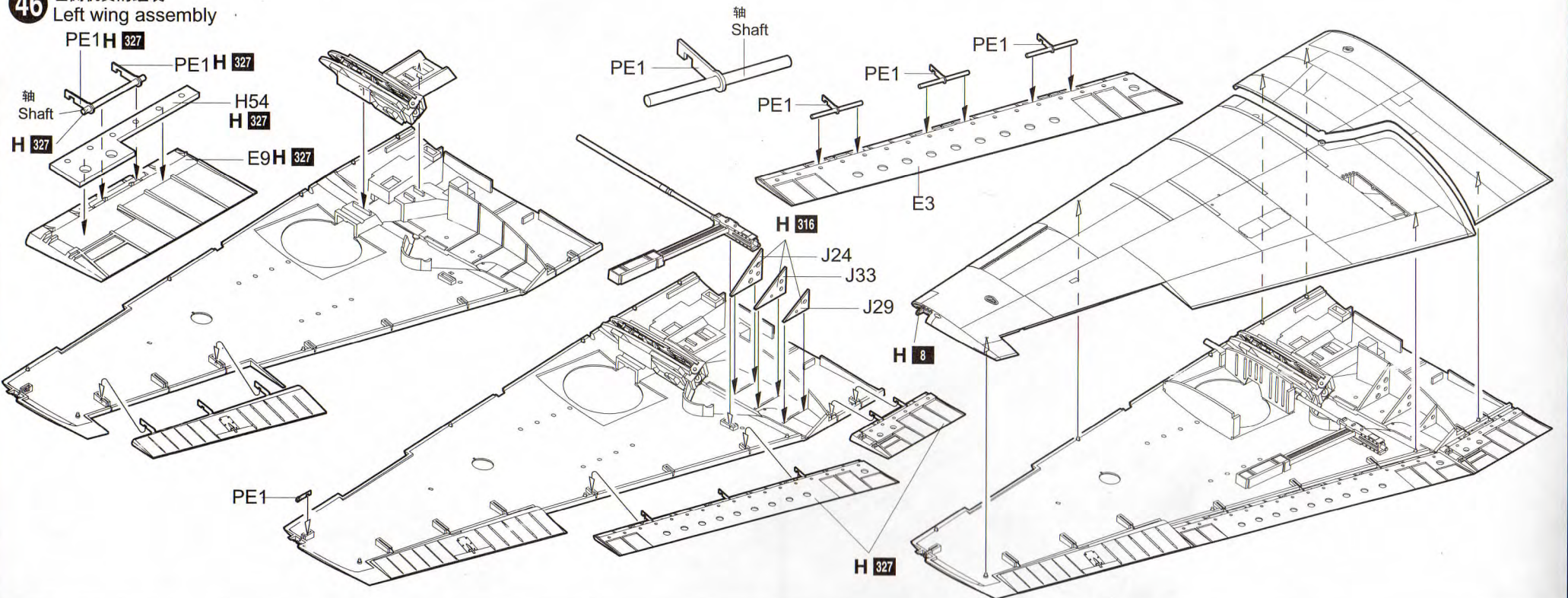
44 右侧机枪的组装
Right cannon assembly



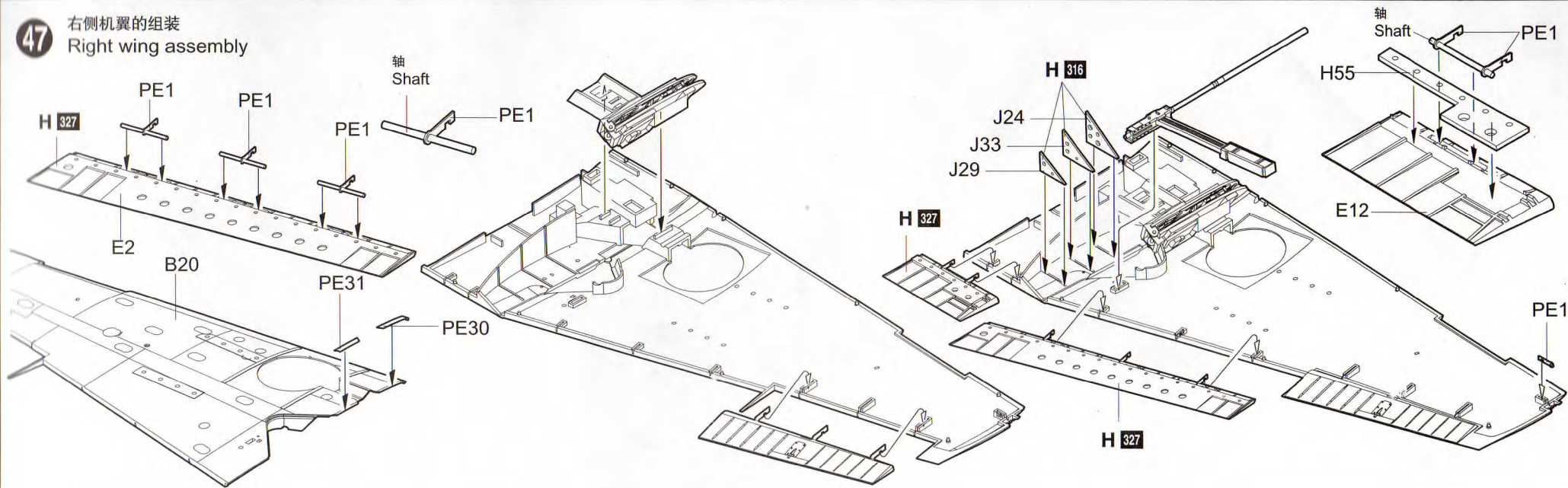
45 左侧机翼的组装
Left wing assembly



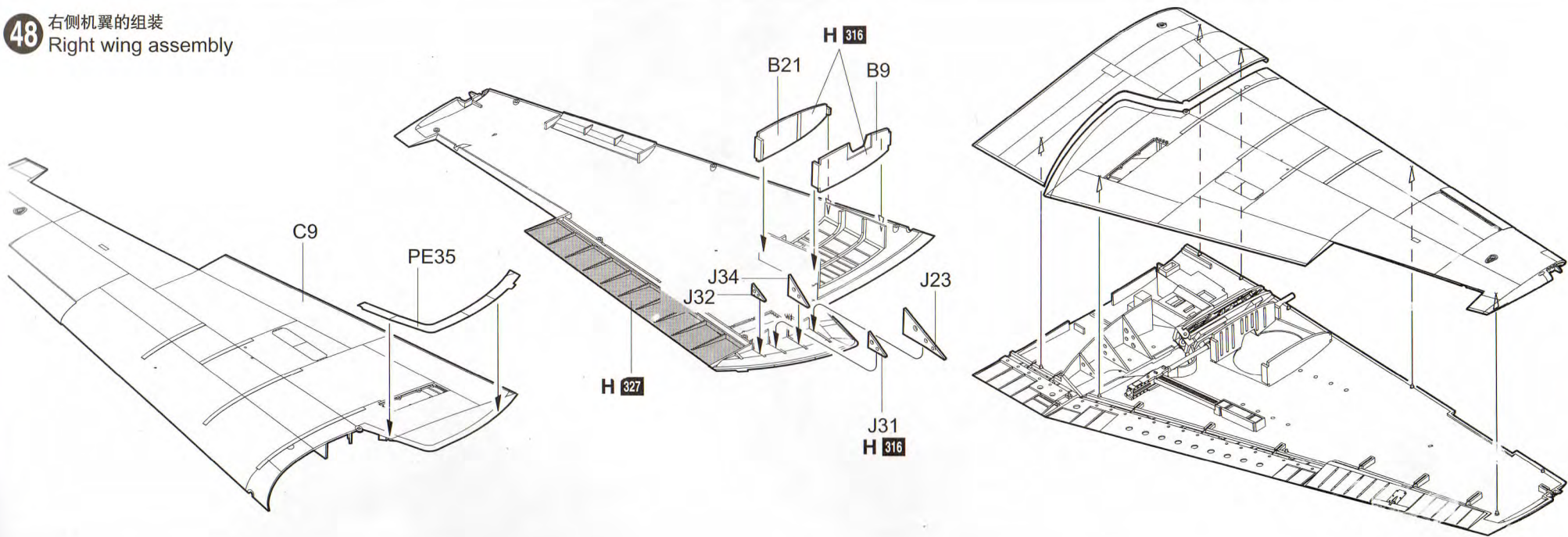
46 左侧机翼的组装
Left wing assembly



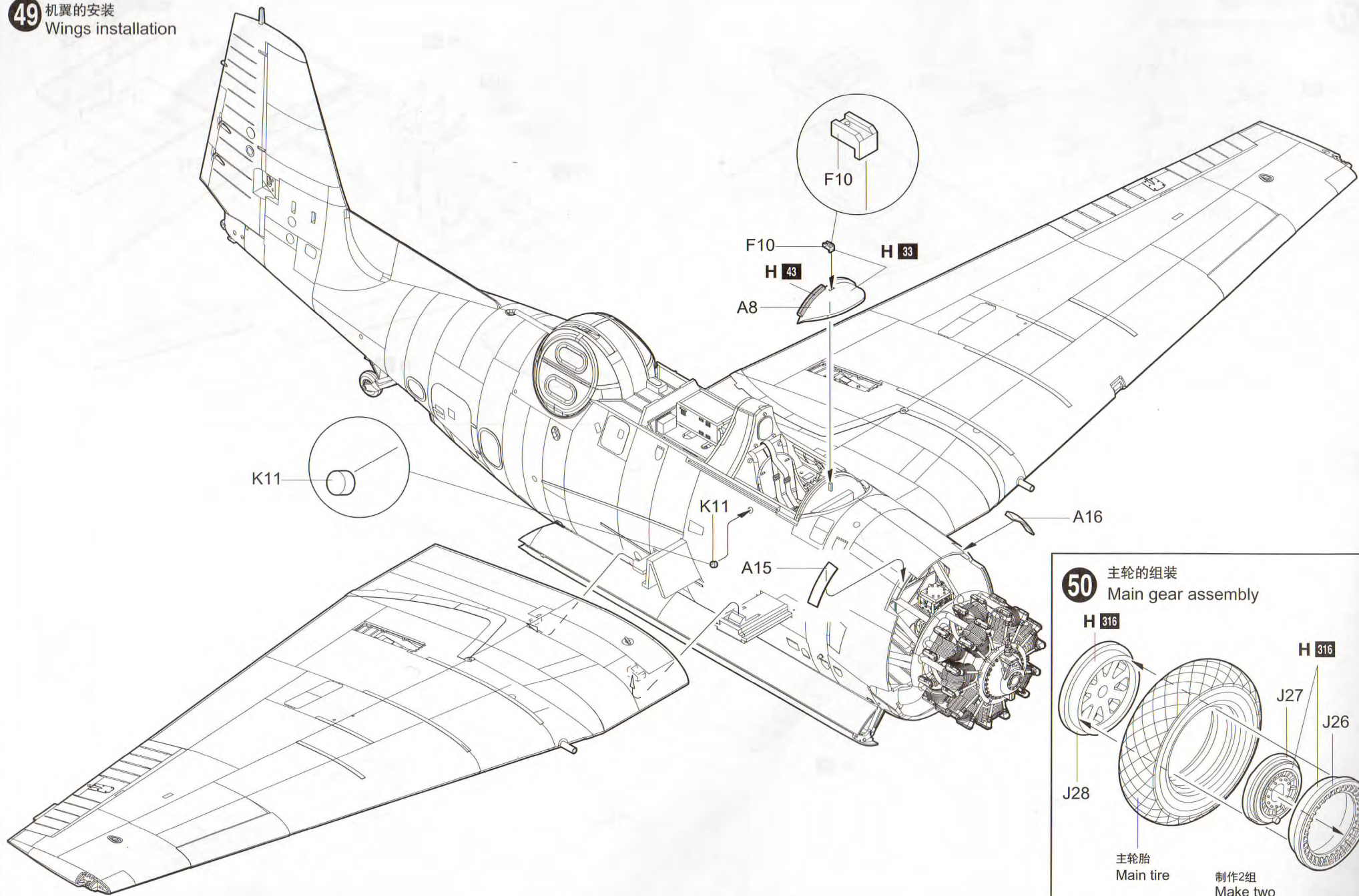
47 右侧机翼的组装
Right wing assembly



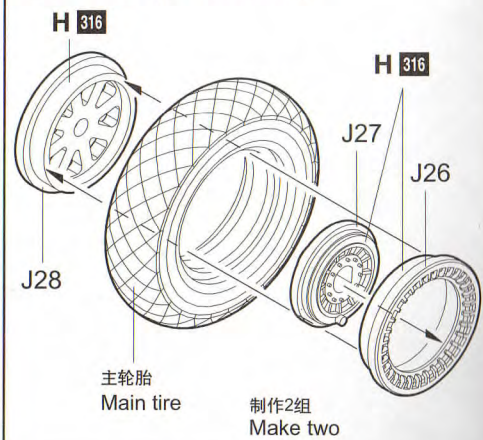
48 右侧机翼的组装
Right wing assembly



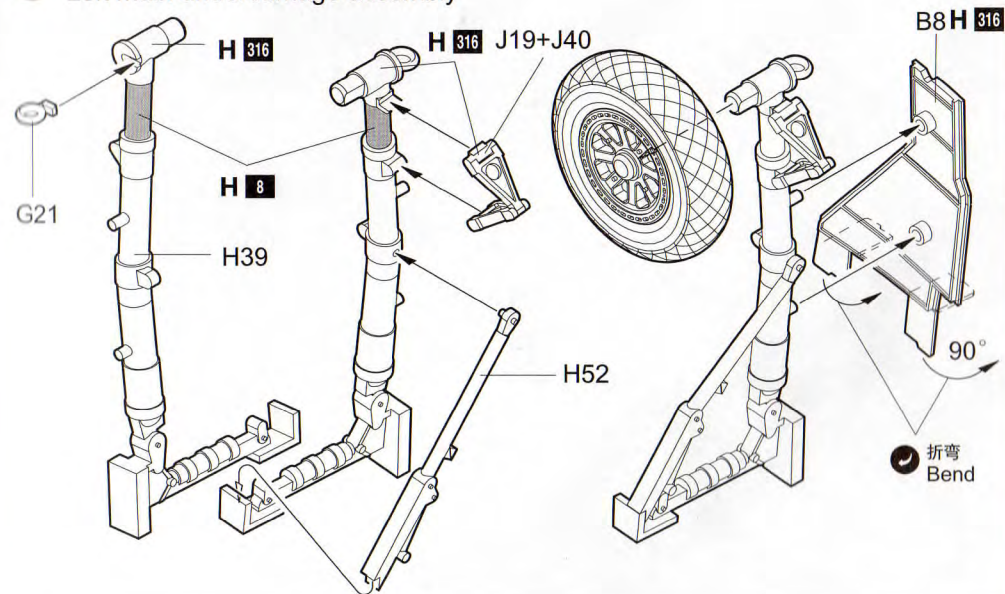
49 机翼的安装
Wings installation



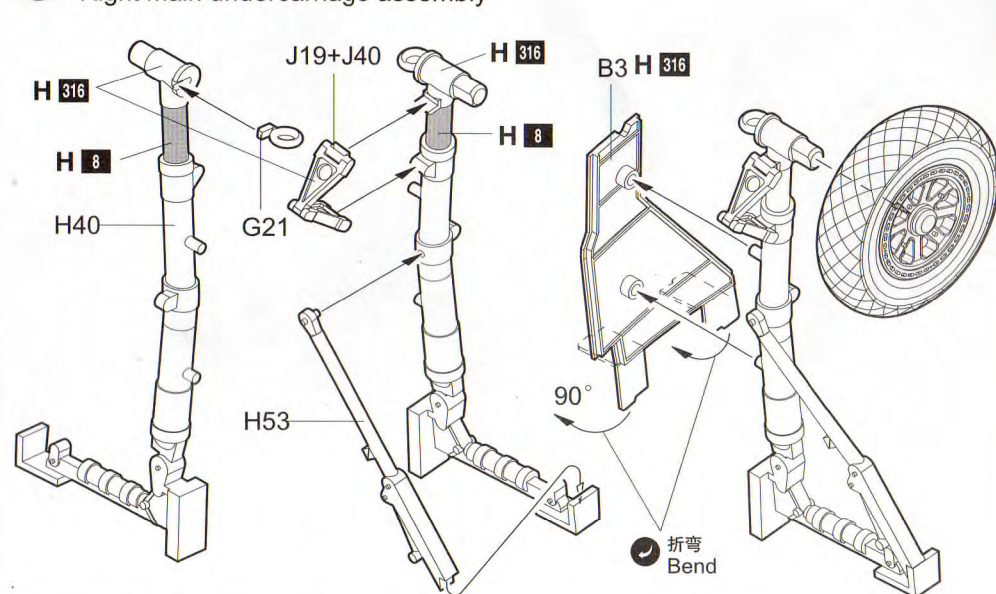
50 主轮的组装
Main gear assembly



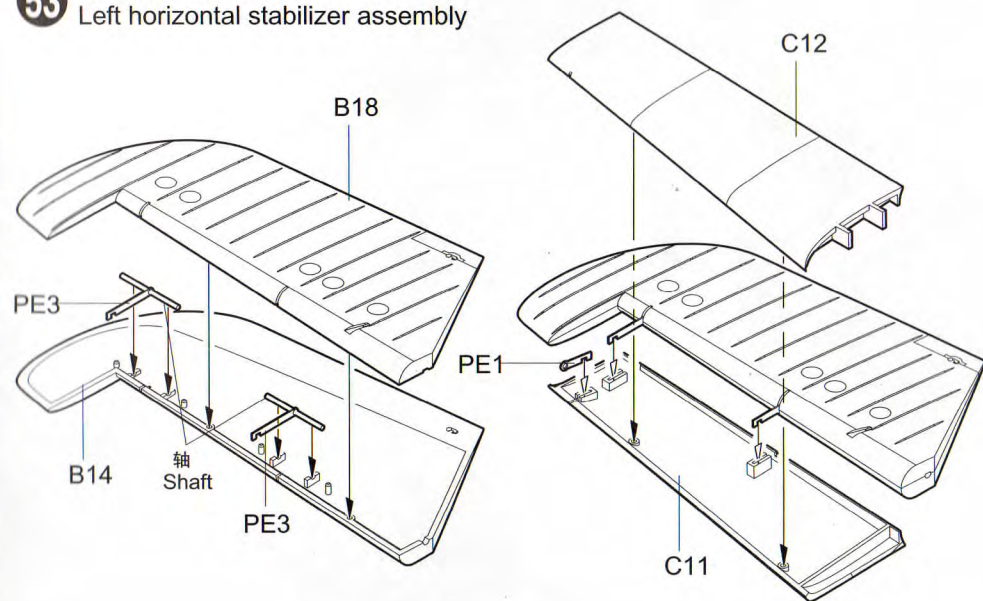
51 左侧主起落架的组装
Left main undercarriage assembly



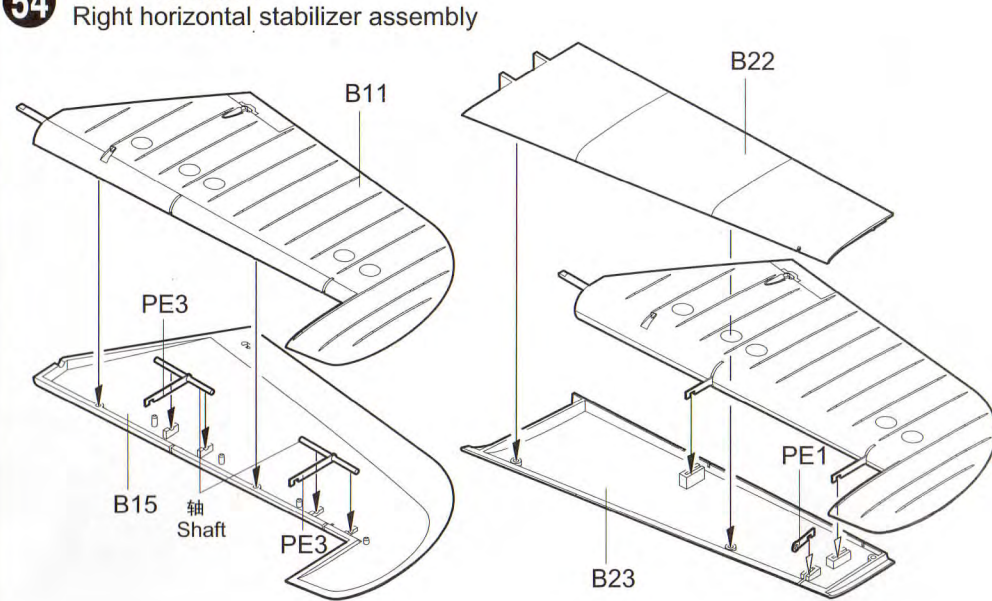
52 右侧主起落架的组装
Right main undercarriage assembly



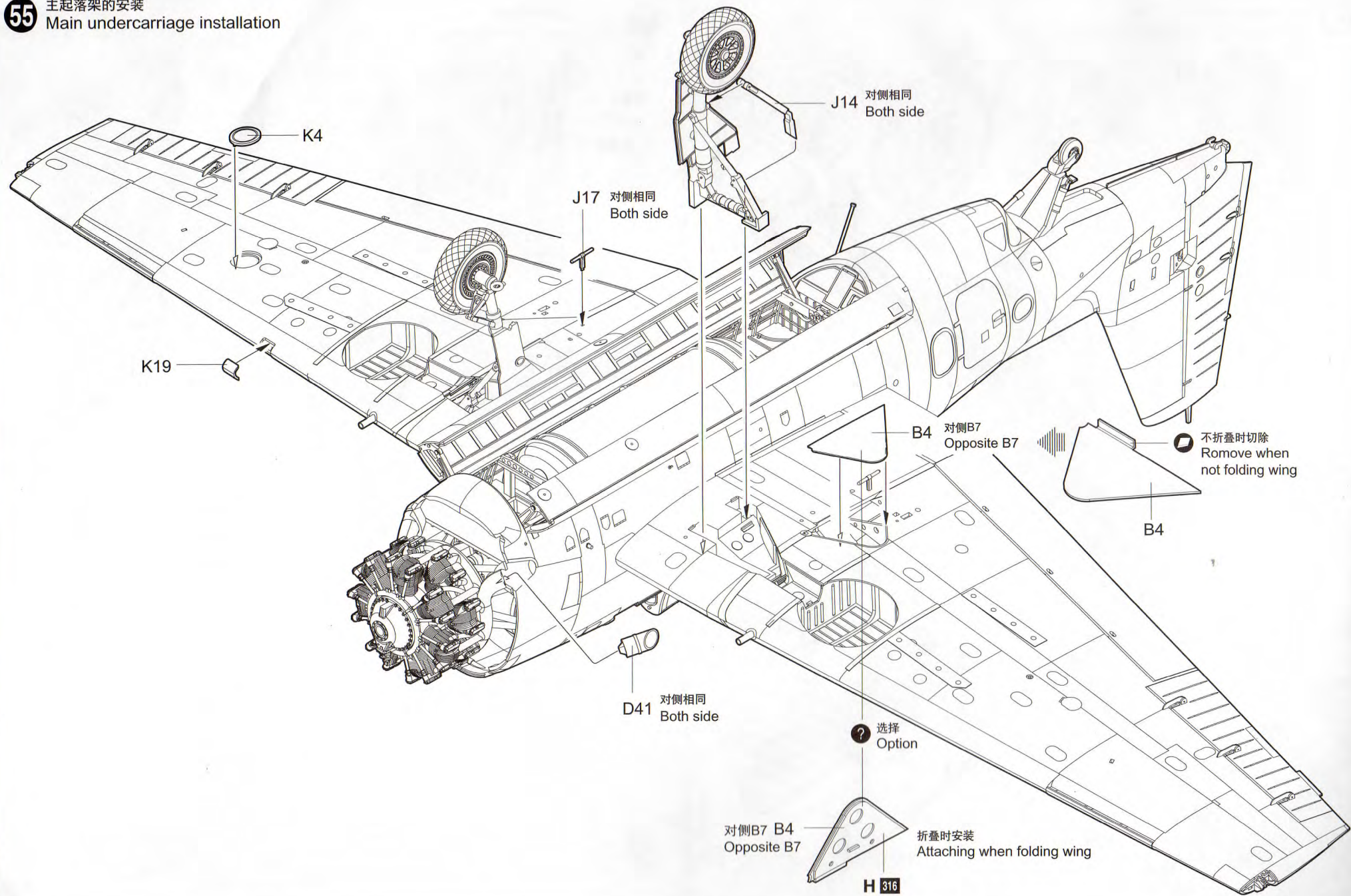
53 左侧水平尾翼的组装
Left horizontal stabilizer assembly



54 右侧水平尾翼的组装
Right horizontal stabilizer assembly



55 主起落架的安装
Main undercarriage installation



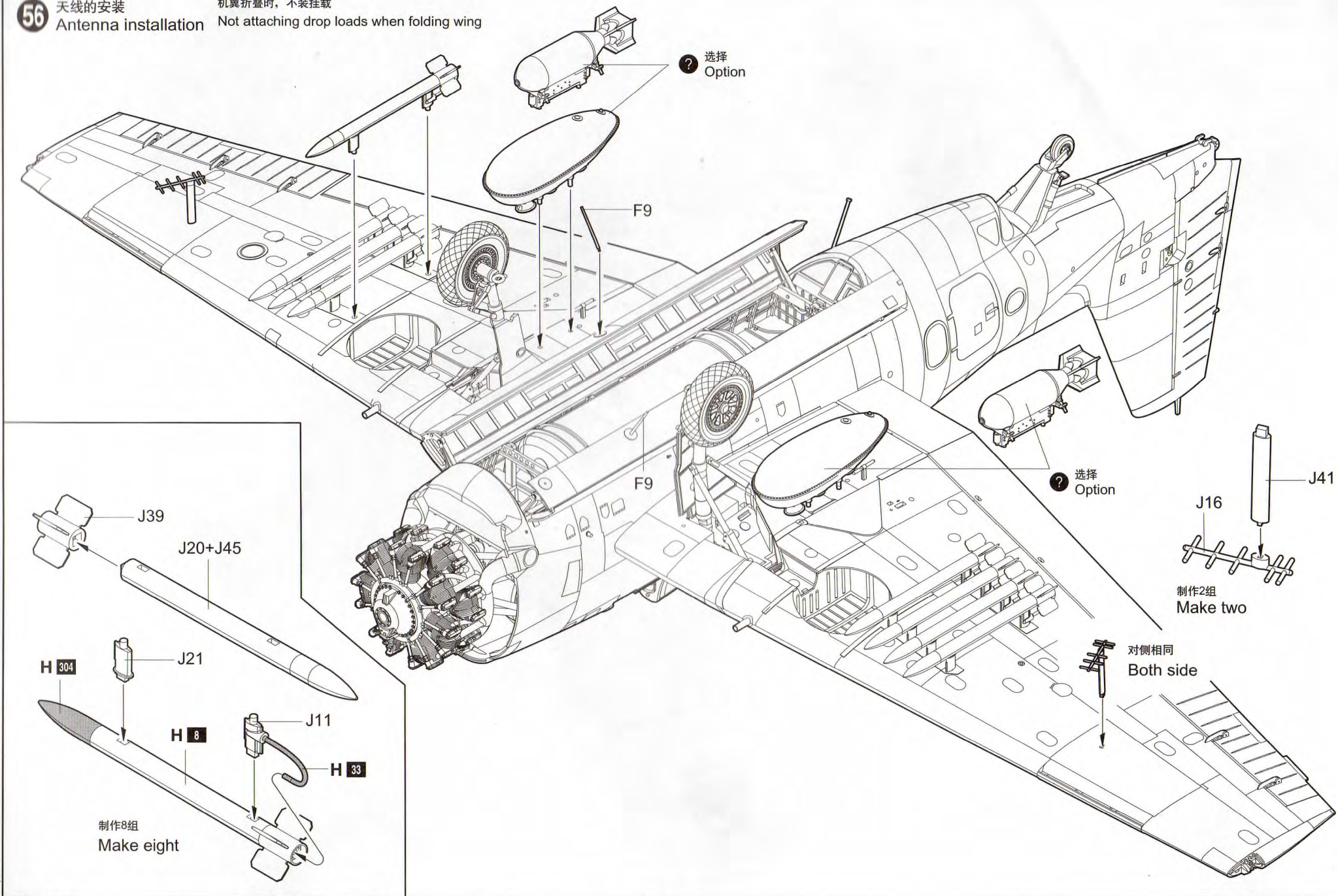
56

天线的安装

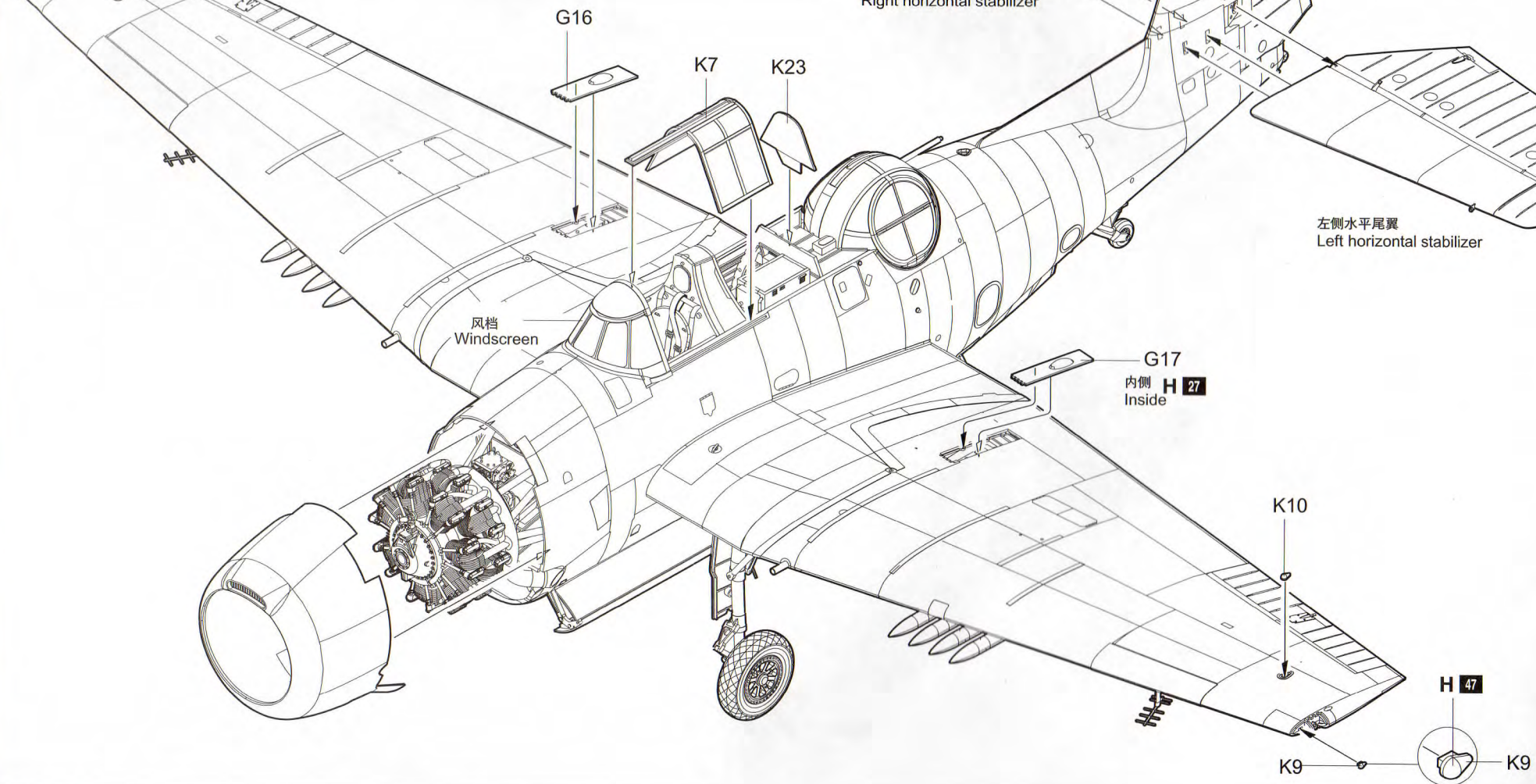
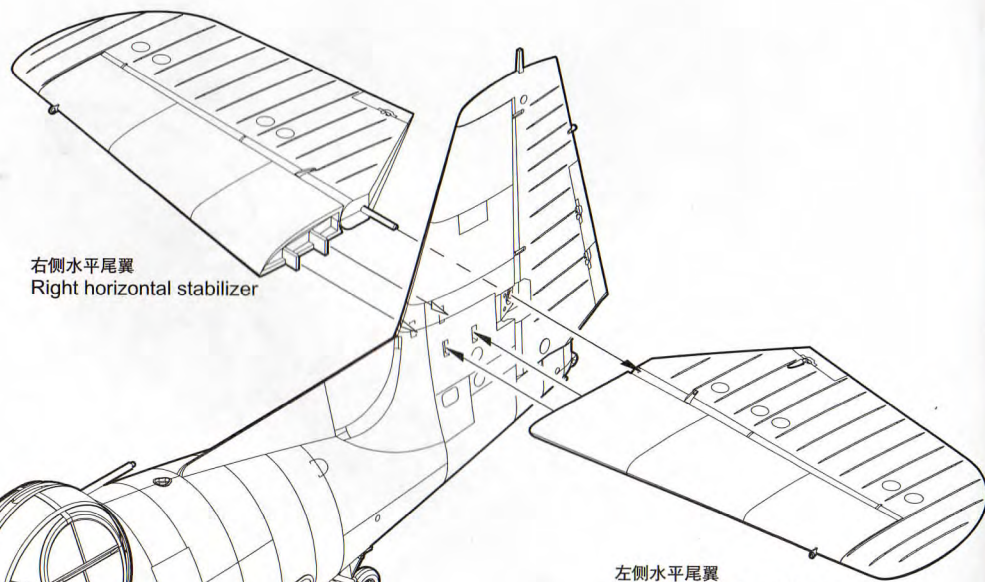
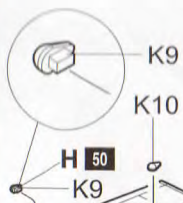
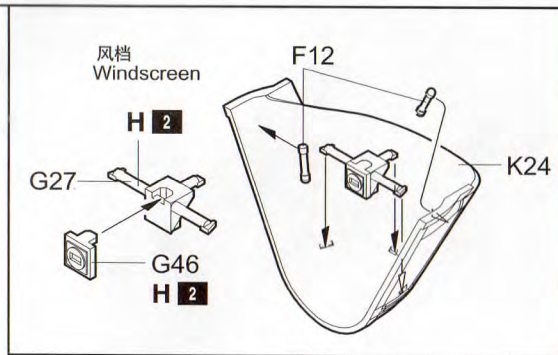
Antenna installation

机翼折叠时，不装挂载

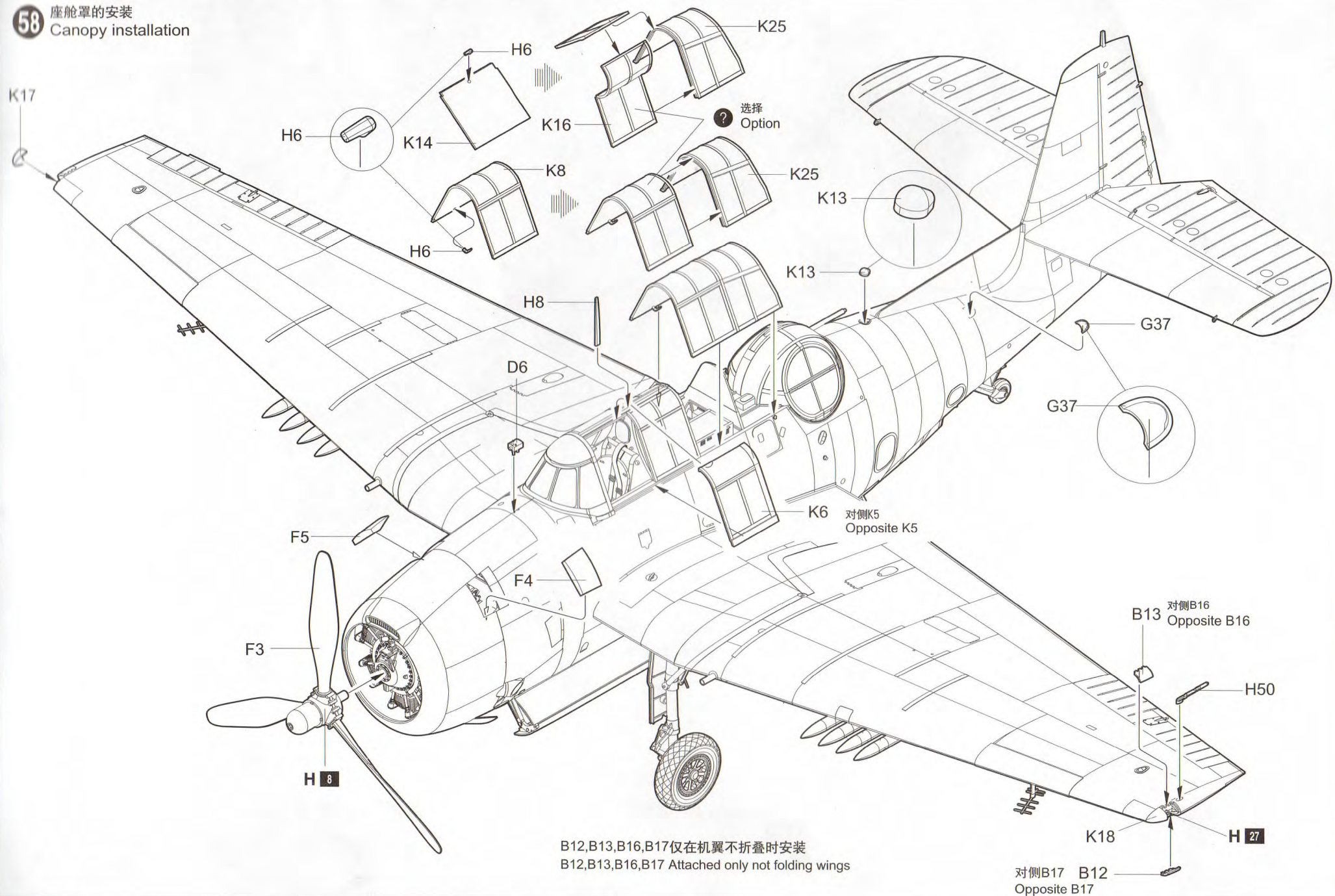
Not attaching drop loads when folding wing



57 座舱罩的安装
Canopy installation



58 座舱罩的安装
Canopy installation

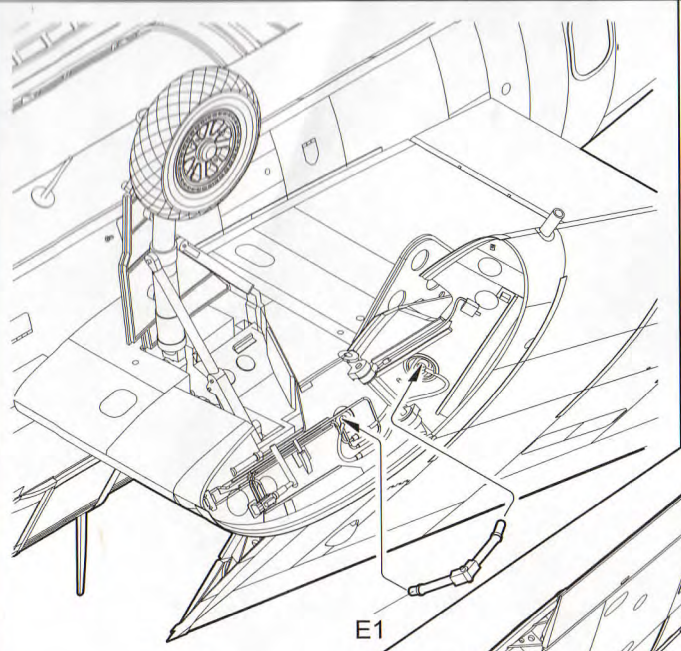


B12,B13,B16,B17仅在机翼不折叠时安装
B12,B13,B16,B17 Attached only not folding wings

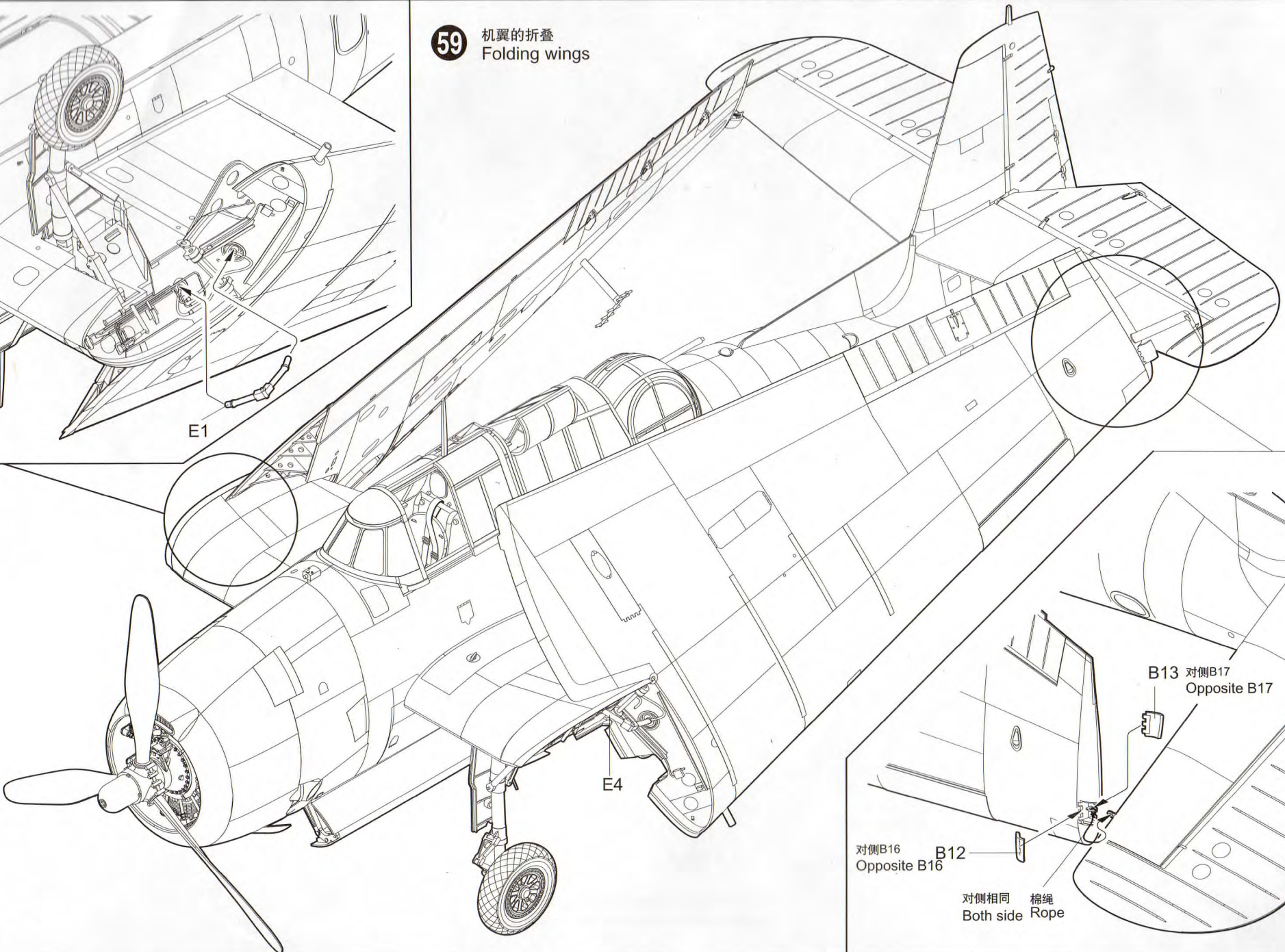
对侧B17 B12
Opposite B17

59

机翼的折叠
Folding wings



E1



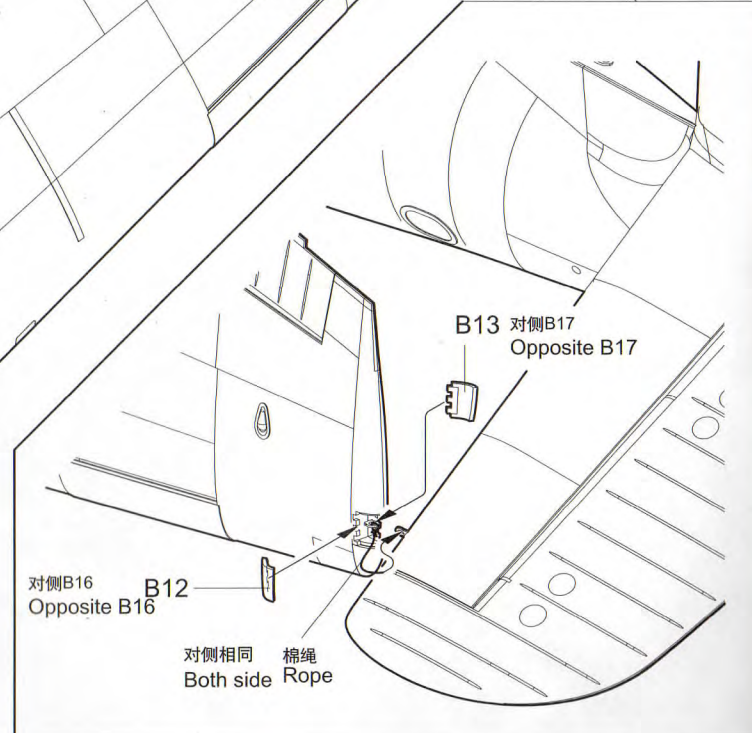
E4

对侧B16
Opposite B16

B12

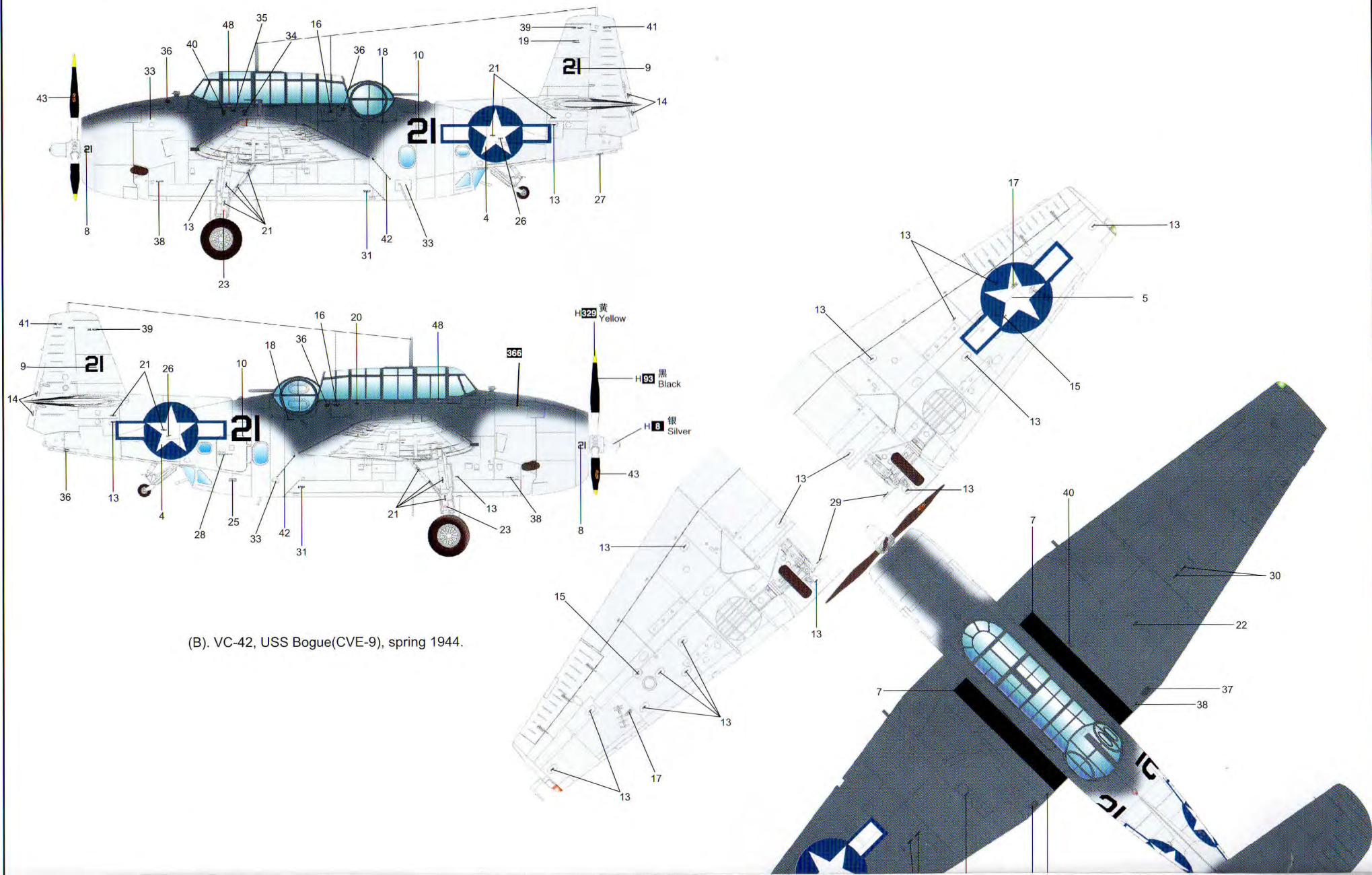
对侧相同 棉绳
Both side Rope

B13 对侧B17
Opposite B17

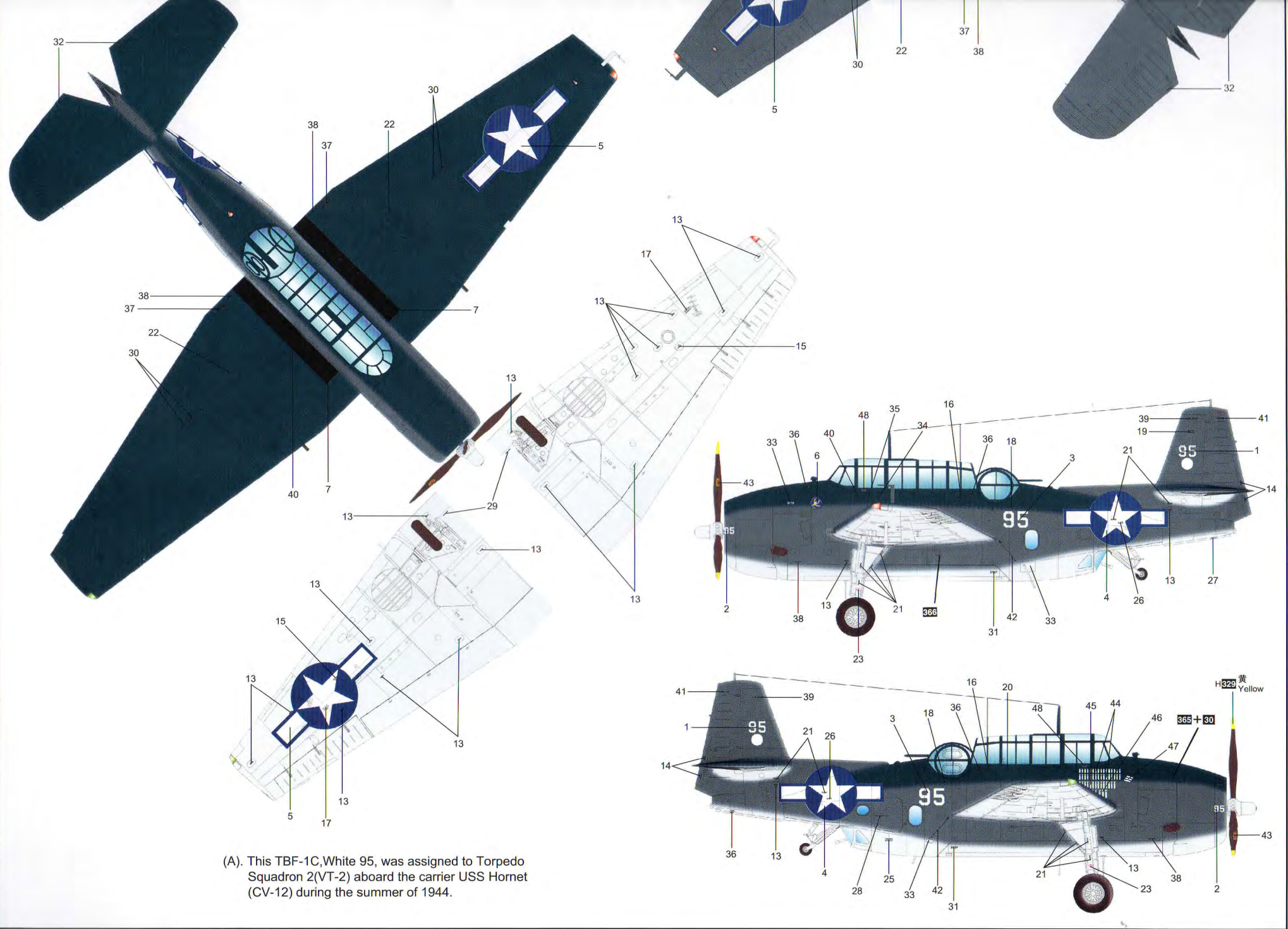


涂装同标贴指示

Painting & Marking guide



(B). VC-42, USS Bogue(CVE-9), spring 1944.



(A). This TBF-1C, White 95, was assigned to Torpedo Squadron 2(VT-2) aboard the carrier USS Hornet (CV-12) during the summer of 1944.