

EagleCals
EC#175

1/32 1/48

Fw 190 A-8/R2s

eagle
EDITIONS LTD.



"Black 8" 11. *Sturm*/JG 3 Uffz. Willi Maximowitz
June 1944 Dreux, France



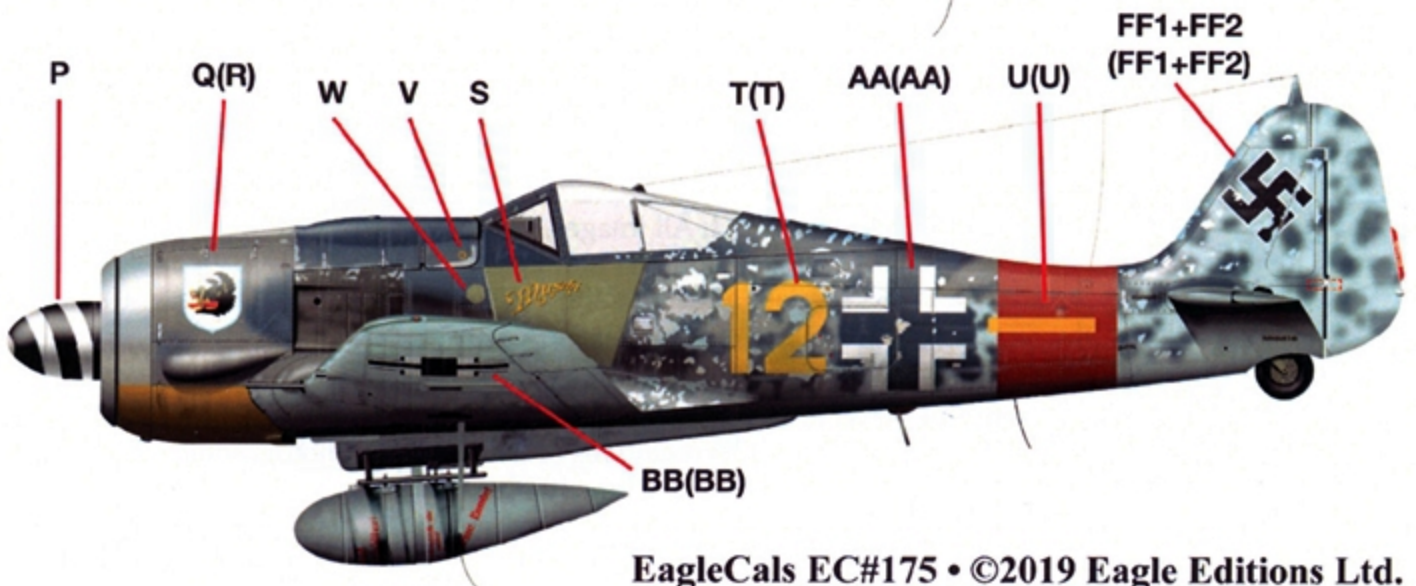
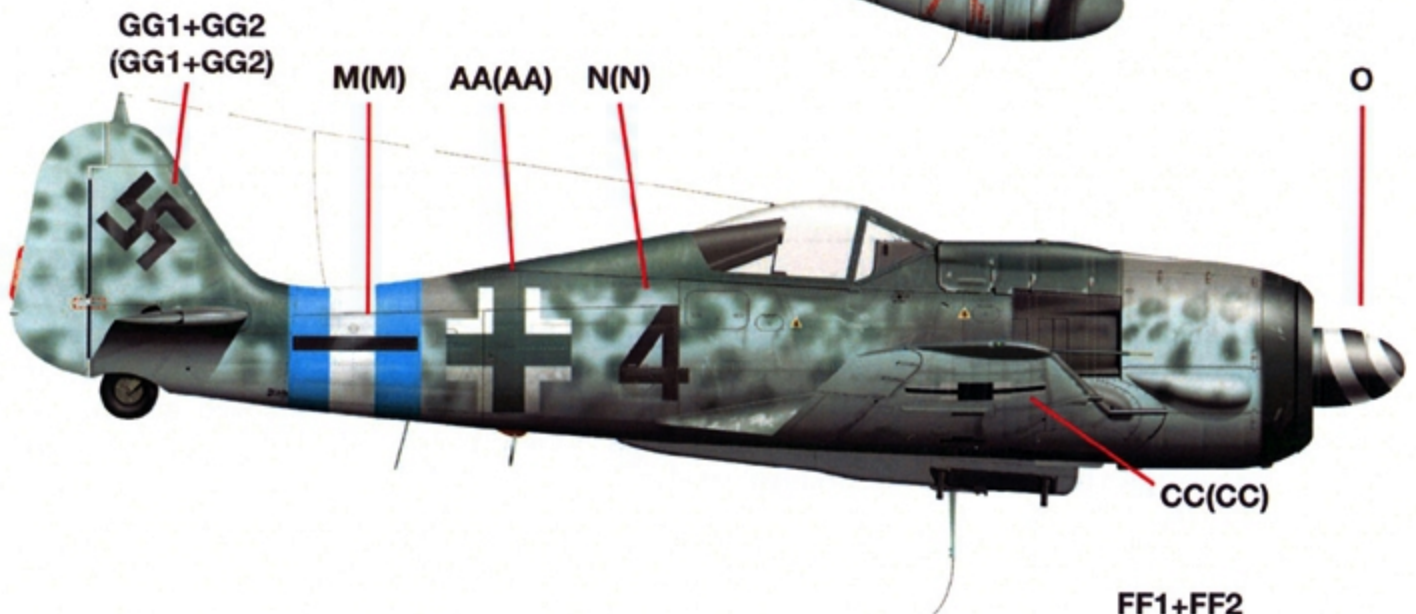
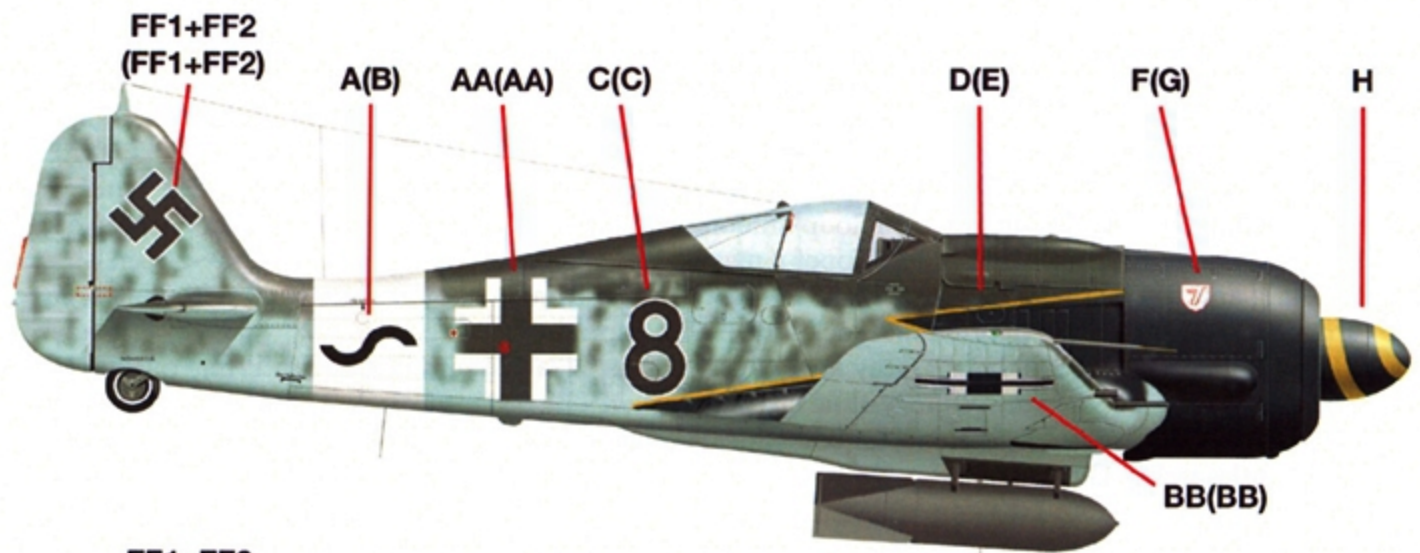
"Yellow 2" W.Nr 682181 6./JG 300 Fw. Hubert Engst
Dec 1944 Löbnitz, Germany



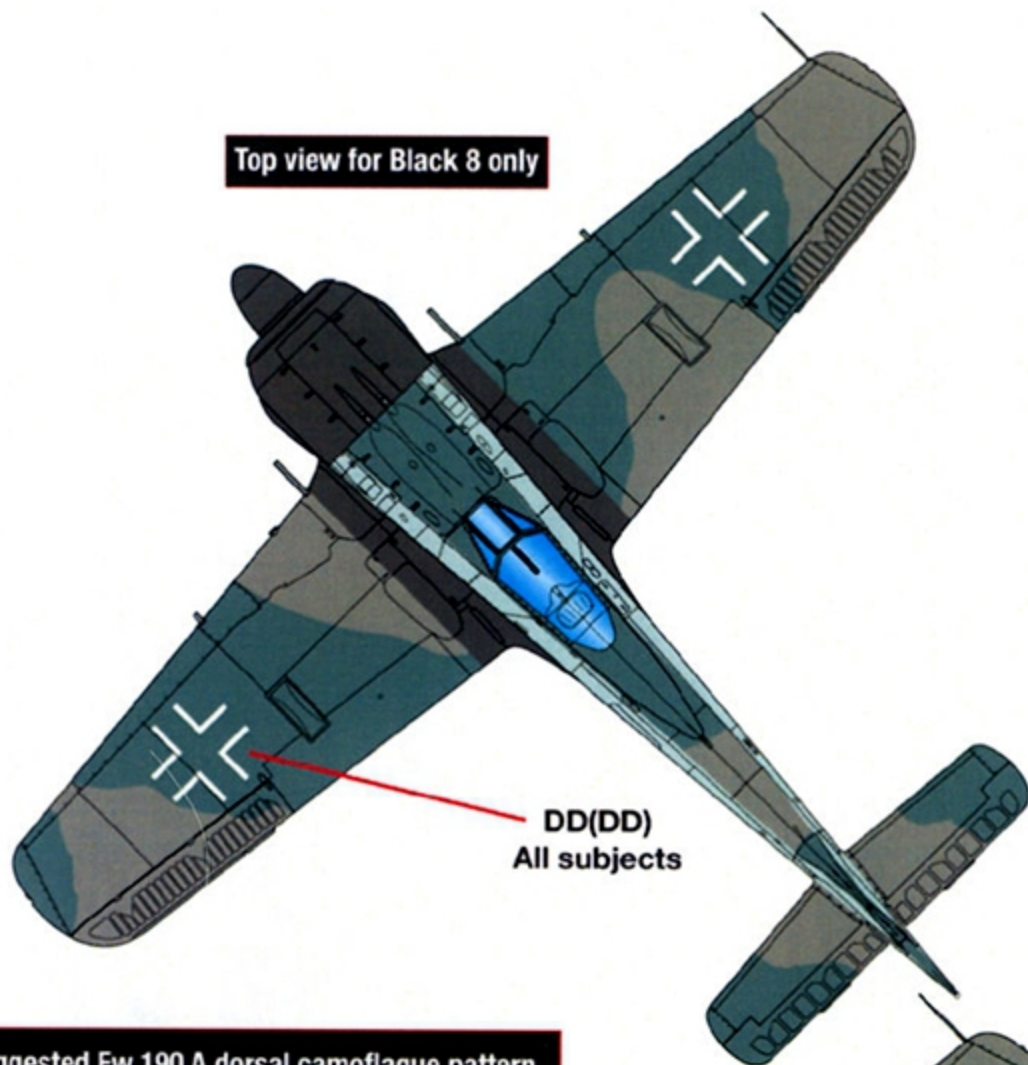
"Black 4" 8./JG 300 Lt. Victor Heimann
Feb 1945 Löbnitz, Germany



"Yellow 12" Muschi 6./JG 300 Uffz. Paul Lixfeld
Nov 1944 Löbnitz, Germany

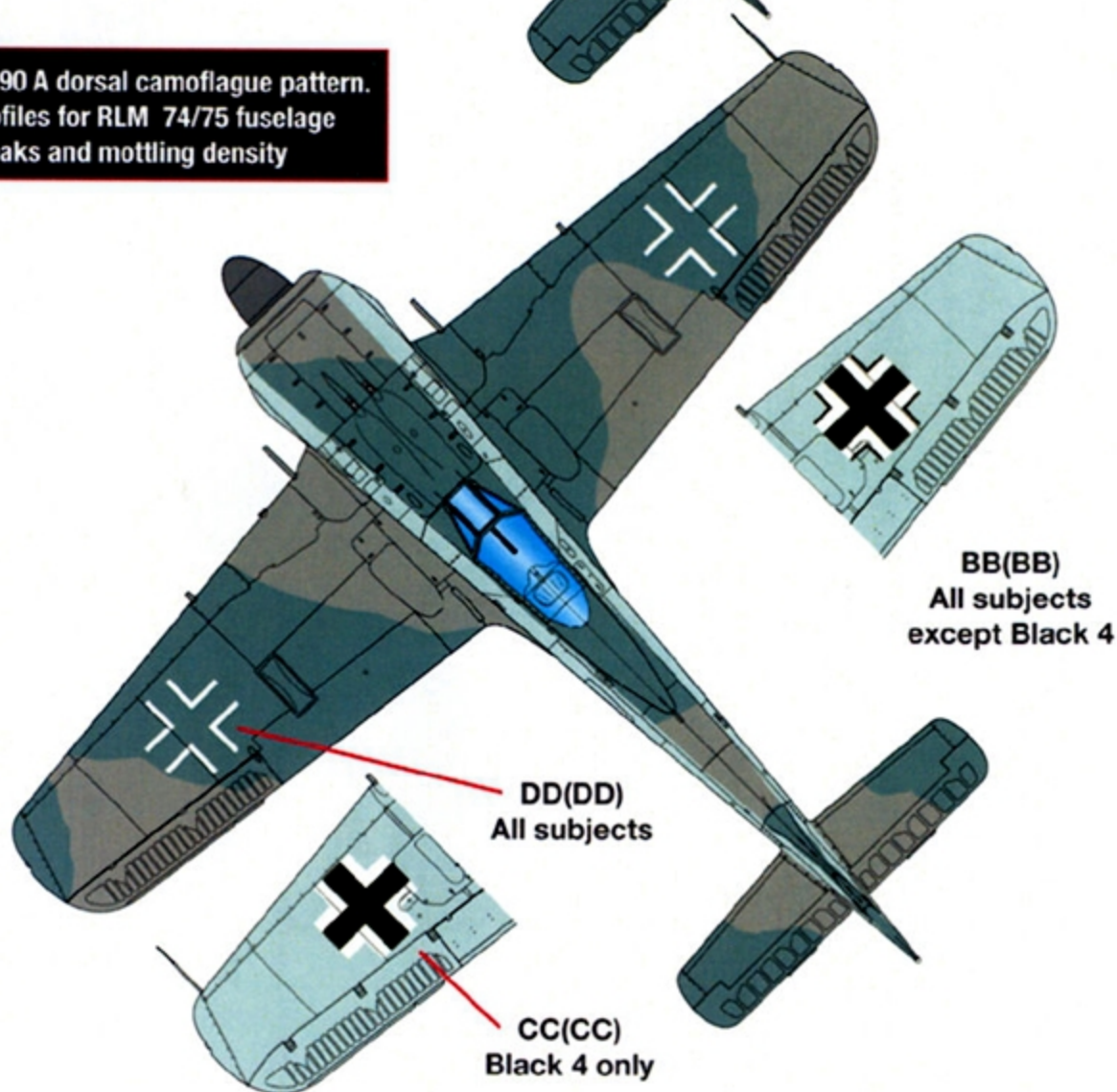


Top view for Black 8 only



DD(DD)
All subjects

Suggested Fw 190 A dorsal camouflage pattern.
See color profiles for RLM 74/75 fuselage
color breaks and mottling density



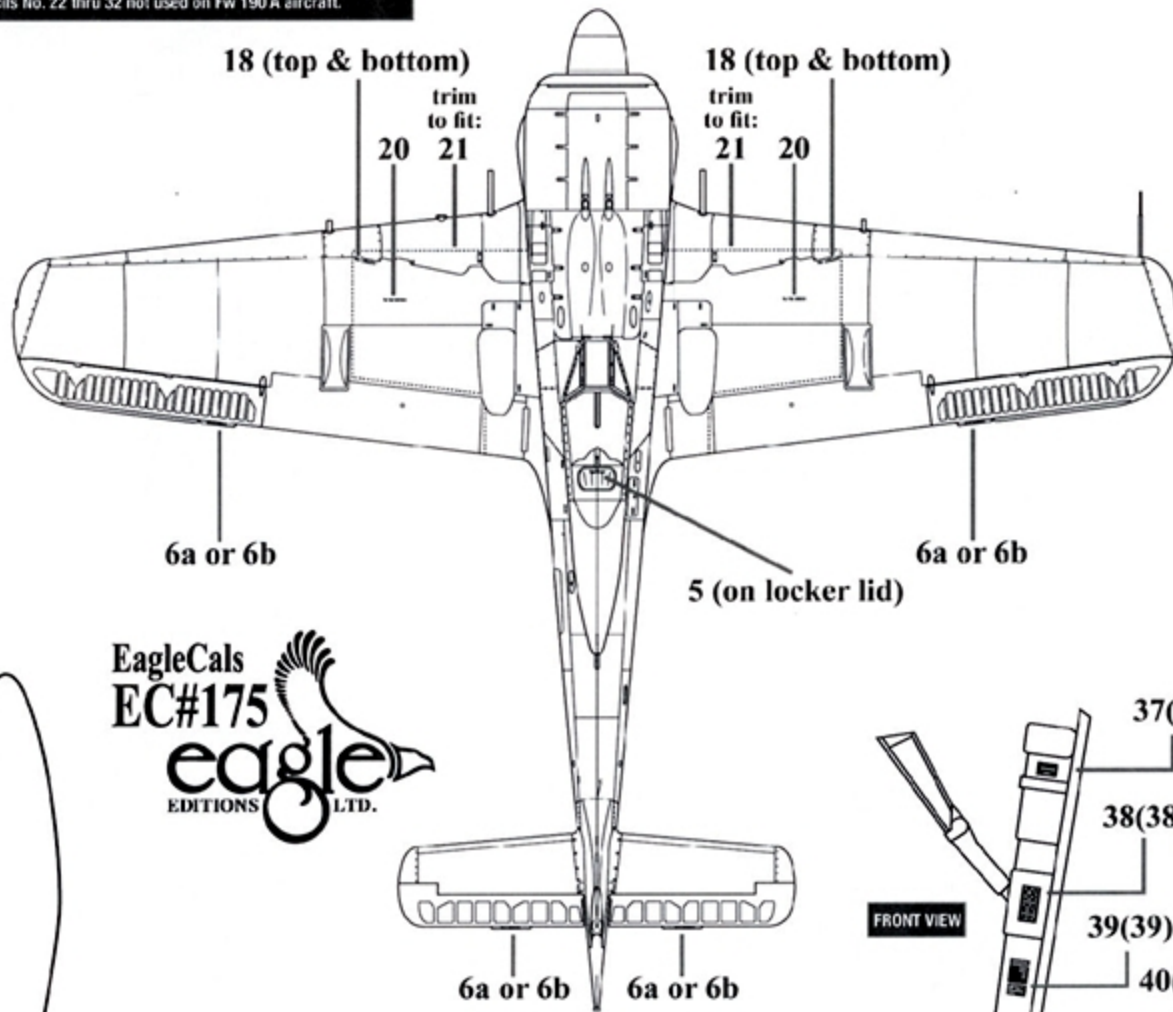
BB(BB)
All subjects
except Black 4

DD(DD)
All subjects

CC(CC)
Black 4 only

NOTE: Stencil diagram drawings are representational only. Check your reference for the specific detail and differences between variants.
Stencils No. 22 thru 32 not used on Fw 190 A aircraft.

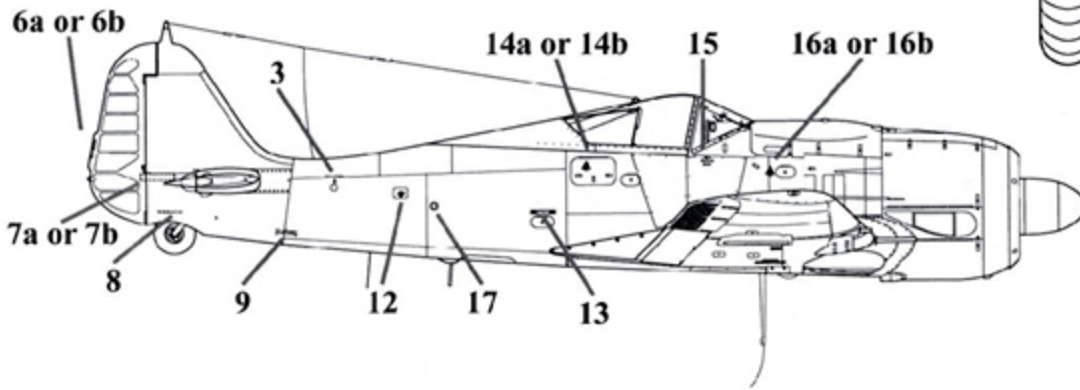
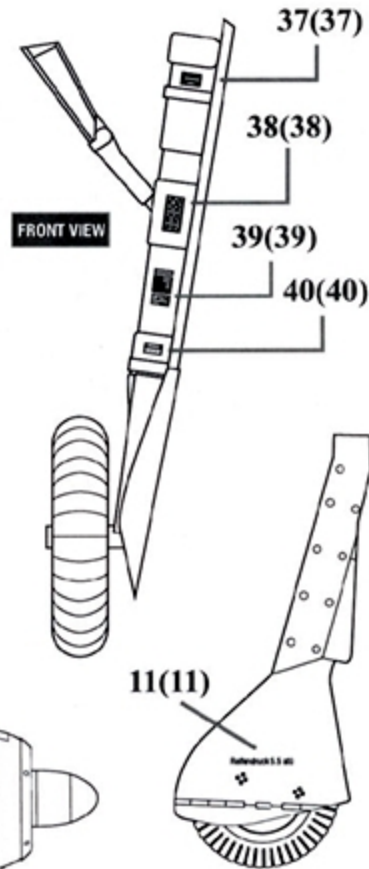
EagleCals EC#175 • ©2019 Eagle Editions Ltd.



EagleCals
EC#175
eagle
EDITIONS LTD.

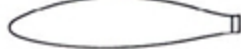


Fw 190A-1 thru A-4 use 41
Fw 190A-7 thru A-8 with EXTERNAL WEIGHTS use 42
Fw 190A-5 thru A-9 use 43



PROPELLERS
Provisional! Not to scale!

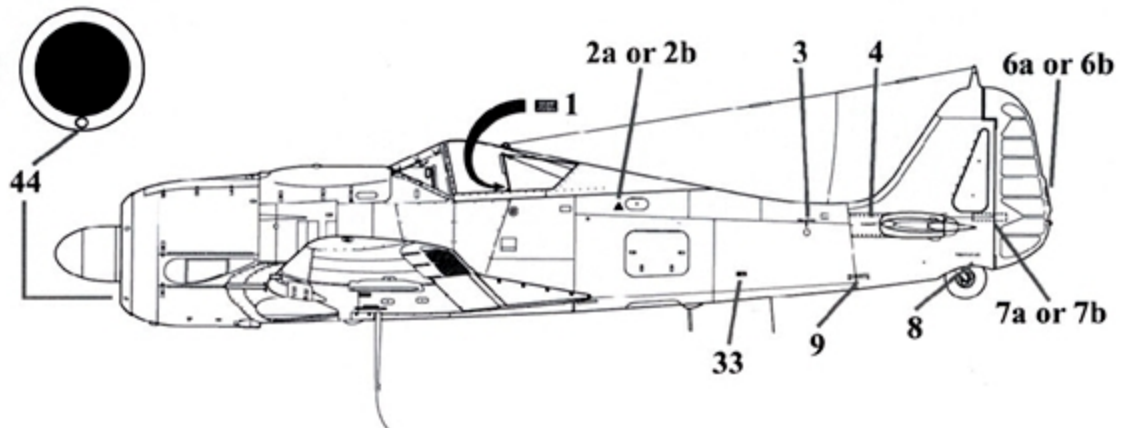
Standard



VDM 9 with External Weights



Wooden VDM 9



EagleCals #175

Fw 190 A-8/R2

"Black 8" **W.Nr. unknown** **11. Sturm/JG 3** **June 1944** **Dreux, France**
Pilot: Uffz. Willi Maximowitz. The ETC 501 rack is configured for bombing missions opposing D-Day landings. MG 131 13 mm machine guns removed. FuG 25a antenna, DF loop antenna base and FuG 16zy antenna. Armored triangle side wind screen.
Colors: Lower surfaces: RLM 76 Light Blue Upper surfaces: RLM 75 Gray-Violet/RLM 74 Gray-Green
Cowling and design on side of fuselage Black with Yellow trim; White fuselage band with half *welle* (wave).
Prop: RLM 70 Black-Green; Spinner: Black with Yellow spiral.
National Insignia: Fuselage: B3 800 Dark Gray and White crosses; H2a 420 mm Black with White outline *Hakenkreuz*
Wings: Upper ~ B6 910 mm White outline crosses Lower ~ B2 900 mm Black/White with Black outline crosses
Stenciling: Factory standard; JG 3 emblems on both sides of engine cowling
References: Bundesarchiv Germany

"Yellow 2" **W.Nr. 682181** **6./JG 300** **December 1944** **Löbnitz, Germany**
Pilot: Fw. Hubert Engst. 5 mm armored panels on fuselage; armored triangle side wind screen. MG 131 13 mm machine guns removed, gun troughs faired over. FuG 25a antenna, DF loop and base, and FuG 16zy antenna.
Colors: Lower surfaces: RLM 76 Light Blue Upper surfaces: RLM 75 Gray-Violet/RLM 74 Gray-Green
Blue/White/Blue bands on rear fuselage
Prop: RLM 70 Black-Green; Spinner: Black with White spiral
National Insignia: Fuselage: B3 800 Dark Gray and White crosses; H2a 420 Black with White outline *Hakenkreuz*
Wings: Upper ~ B6 910 White outline crosses Lower ~ B2 900 mm Black/White with Black outline crosses
Stenciling: Factory standard
References: JG 300 Lorant/Goyat ISBN 0-9761034-2-7 Eagle Editions Ltd. LLC Montana

"Black 4" **W.Nr. unknown** **8./JG 300** **February 1945** **Löbnitz, Germany**
Pilot: Lt. Victor Heimann. Blown canopy. FuG 25a antenna, DF loop and base, and FuG 16zy antenna. MG 131 13 mm machine guns over the engine removed, gun troughs faired over.
Colors: Lower surfaces: RLM 76 Light Blue Upper surfaces: RLM 75 Gray-Violet/RLM 74 Gray-Green
Wing tips and cowl rings Black; Blue/White/Blue bands on rear fuselage
Prop: RLM 70 Black-Green Spinner Black with White spiral
National Insignia: Fuselage: B3 800 mm Dark Gray and White crosses; H3 420 mm Black *Hakenkreuz*
Wings: Upper ~ B6 910 White outline crosses Lower ~ B3 900 mm Black and White crosses
Stenciling: Factory Standard
References: JG 300 Lorant/Goyat ISBN 0-9761034-2-7 Eagle Editions Ltd. LLC Montana

"Yellow 12" **W.Nr. unknown** **6./JG 300** **November 1944** **Löbnitz, Germany**
Pilot: Uffz. Paul Lixfeld. A/C formerly served in NJGr. 10 as a night fighter. 5 mm armored on both sides of fuselage except for the small triangular panel under the wind screen; armored triangle side wind screen. FuG 25a antenna, DF loop and base, all slightly bent back; FuG 16zy antenna. MG 131 13 mm machine guns over the engine removed, gun troughs faired over.
Colors: Lower surfaces: RLM 76 Light Blue Upper surfaces: RLM 75 Gray-Violet/RLM 74 Gray-Green;
Upper surface grays heavily chipped. Armored panel on fuselage sides, RLM 02 Gray; Under cowling RLM 04 Yellow.
Dark Red band on rear of fuselage.
Prop: RLM 70 Black-Green; Spinner Black with White spiral
National Insignia: Fuselage: B3 800 mm Gray with White outline; H2a 420 mm Black *Hakenkreuz* with White outline
Wings: Upper ~ B6 910 mm White outline crosses Lower B2 900 mm Black and White crosses with Black outline'
Stenciling: Factory standard; name 'Muschi' on port side armor plate. NJGr. 10 emblem on both sides of cowling. Small Yellow circle on rear of gun cowl indicating emergency power boost installed.
References: JG 300 Lorant/Goyat ISBN 0-9761034-2-7 Eagle Editions Ltd. LLC Montana

© 2020 Eagle Editions Ltd. All images/photos copyrighted by
Eagle Editions Ltd. LLC
752 Bobcat Lane Hamilton MT 59840
www.eagle-editions.com

No copies may be reproduced without written consent from publisher Eagle Editions Ltd. LLC
The color schemes depicted are the artist's interpretations of the available photographic references only.
The final decision resides with the modeler.