

THE SILVER STARS

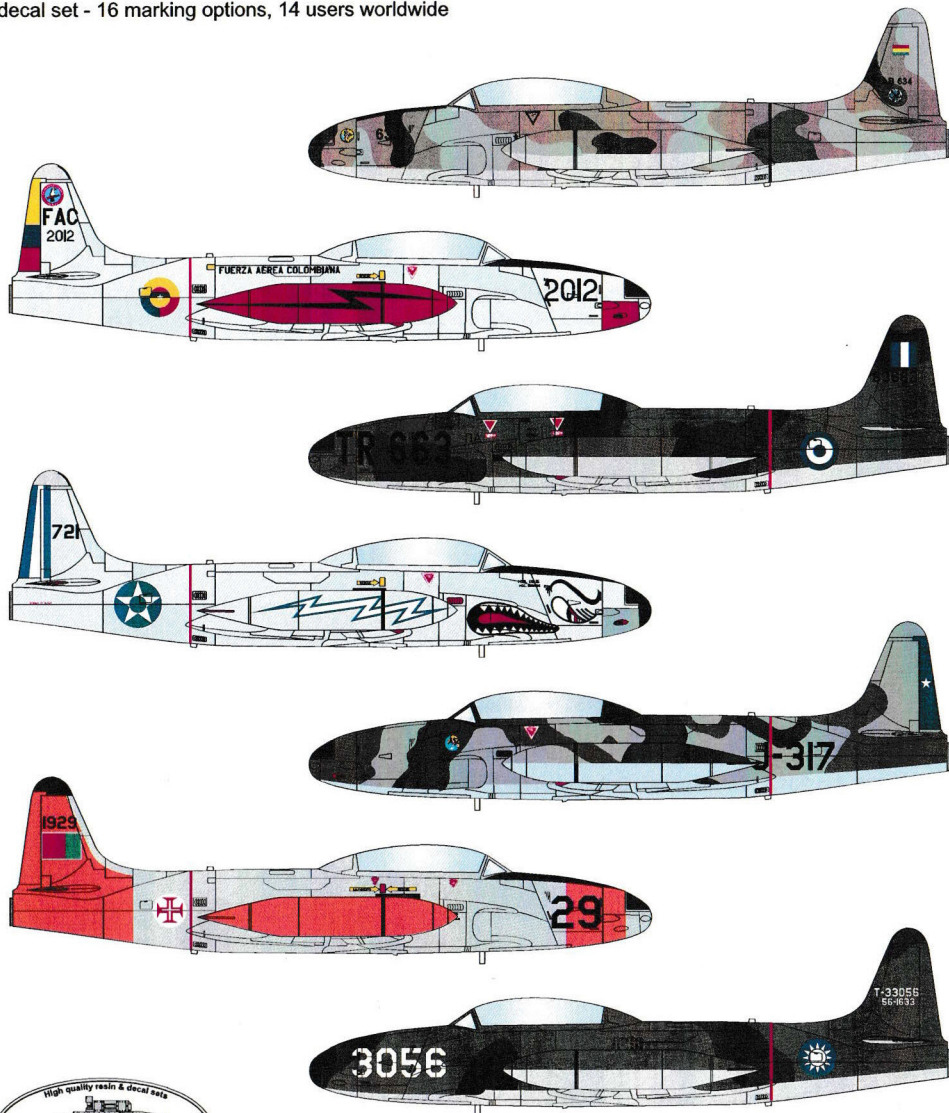
ACD 48 018

1/48 decal set

Lockheed T-33 Silver Star in the World



1/48 decal set - 16 marking options, 14 users worldwide

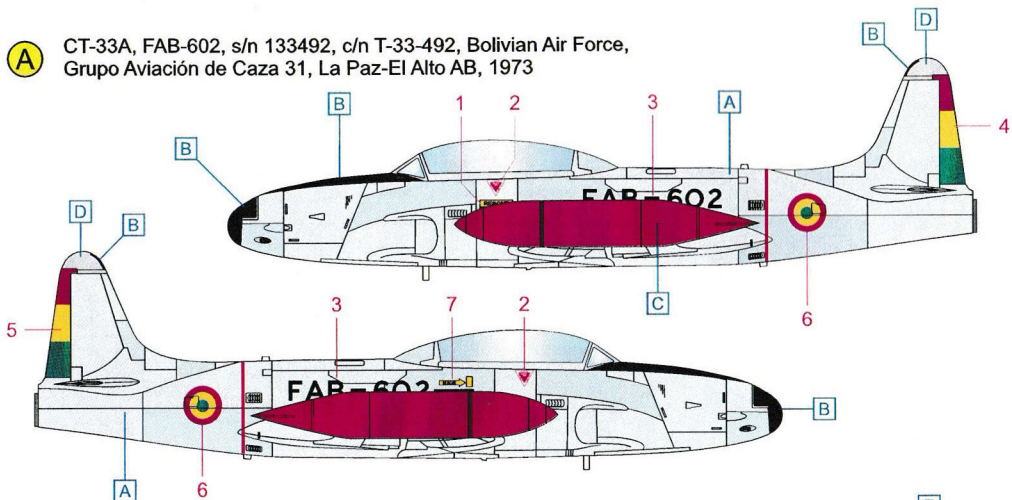


© Armycast, 2017

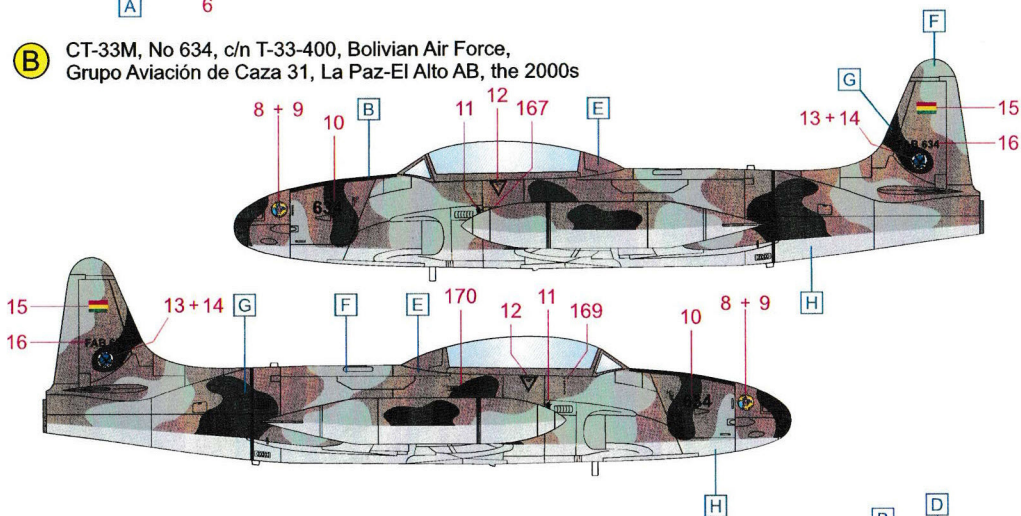
www.armycast.cz

Designed by
Myown
DECALS

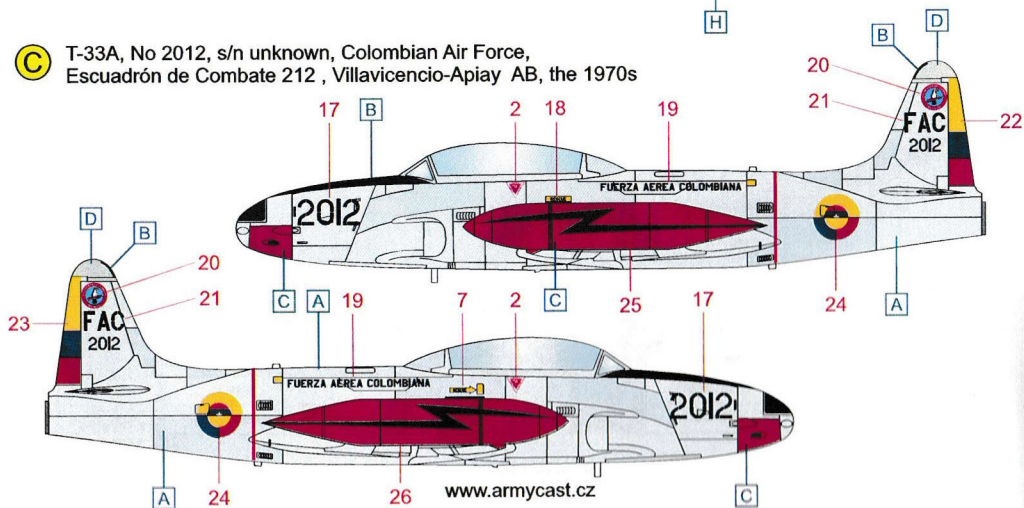
A CT-33A, FAB-602, s/n 133492, c/n T-33-492, Bolivian Air Force, Grupo Aviación de Caza 31, La Paz-El Alto AB, 1973



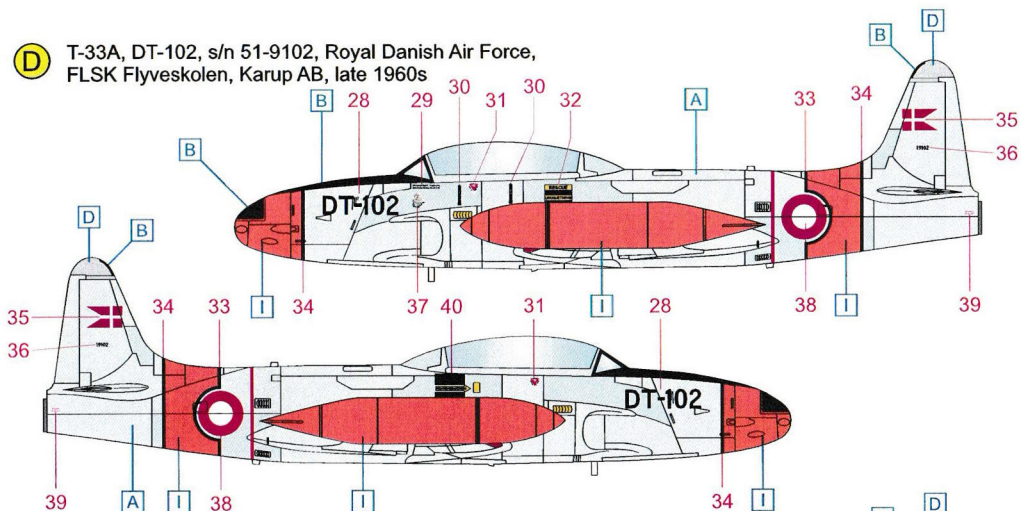
B CT-33M, No 634, c/n T-33-400, Bolivian Air Force, Grupo Aviación de Caza 31, La Paz-El Alto AB, the 2000s



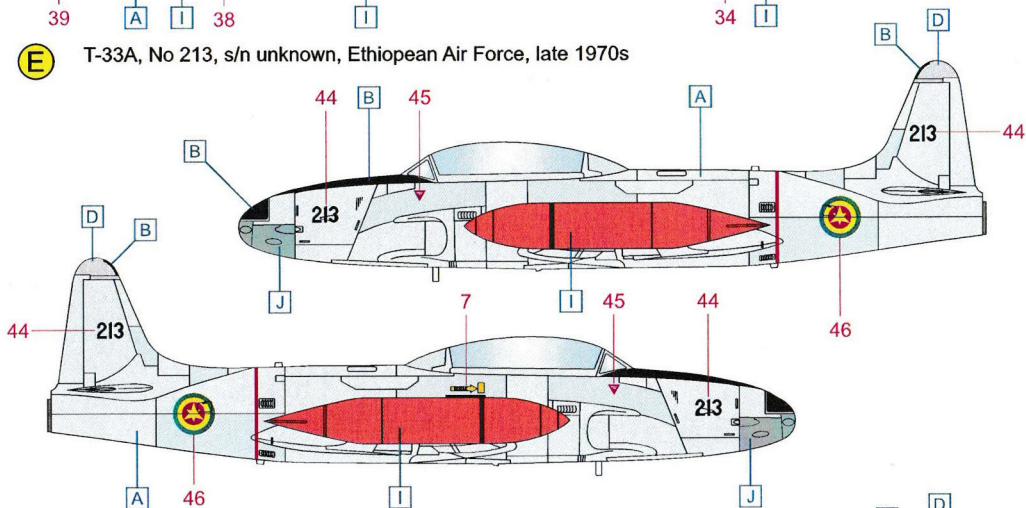
C T-33A, No 2012, s/n unknown, Colombian Air Force, Escuadrón de Combate 212, Villavicencio-Apiay AB, the 1970s



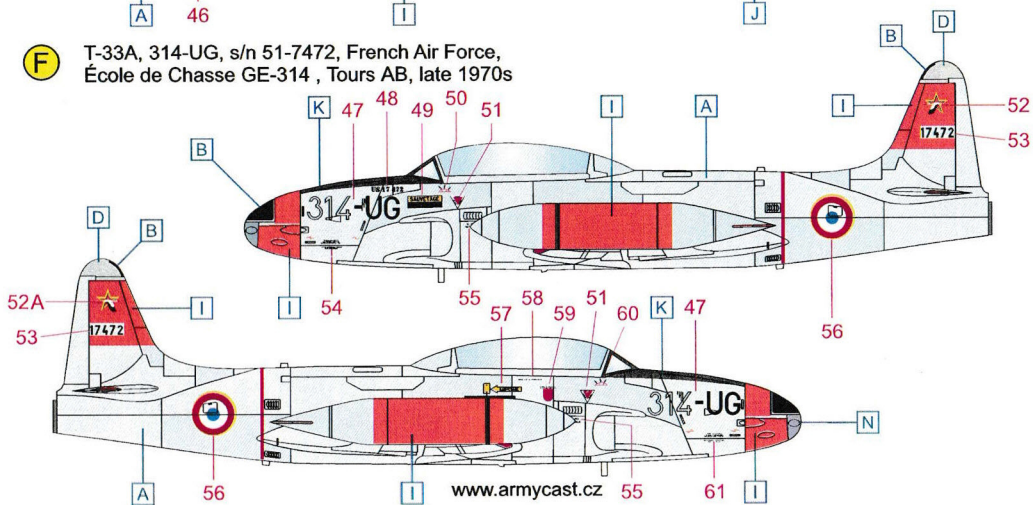
D T-33A, DT-102, s/n 51-9102, Royal Danish Air Force, FLSK Flyveskolen, Karup AB, late 1960s



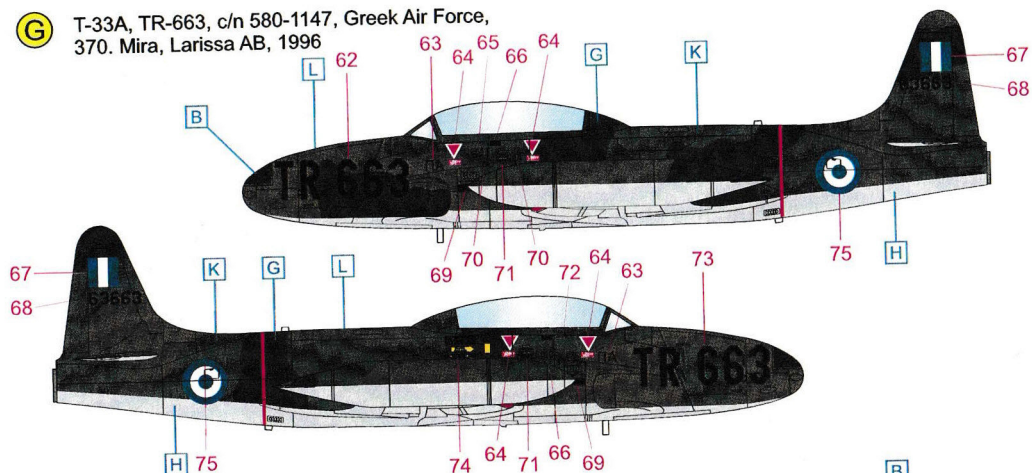
E T-33A, No 213, s/n unknown, Ethiopian Air Force, late 1970s



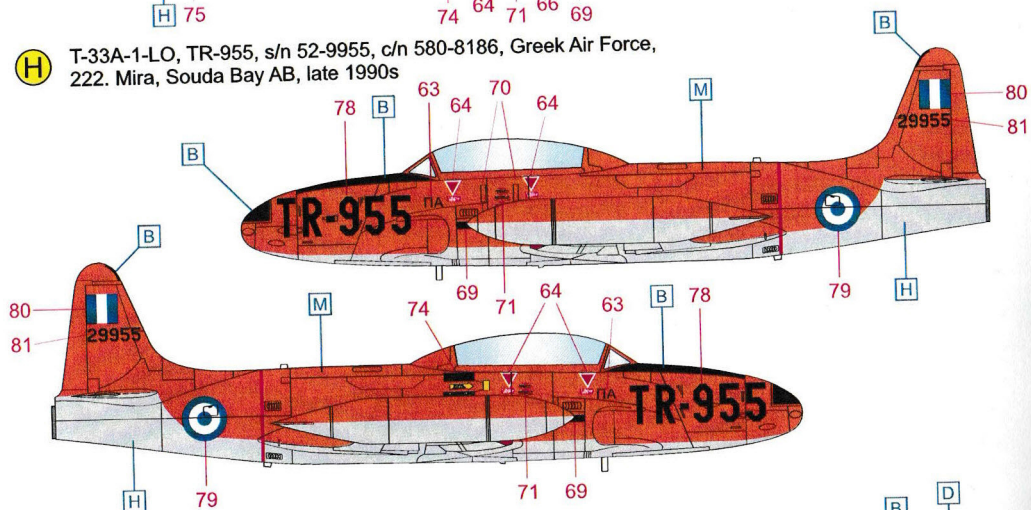
F T-33A, 314-UG, s/n 51-7472, French Air Force, École de Chasse GE-314, Tours AB, late 1970s



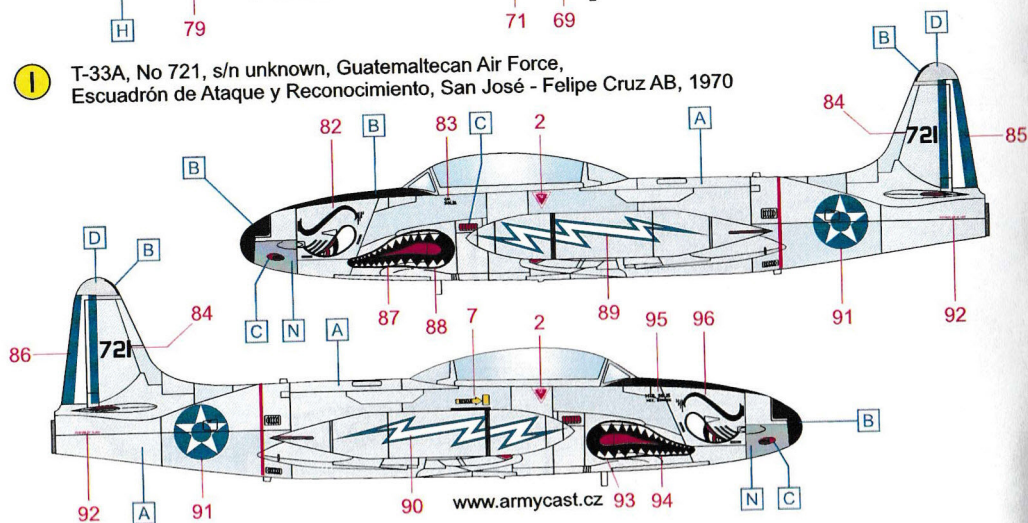
G T-33A, TR-663, c/n 580-1147, Greek Air Force,
370. Mira, Larissa AB, 1996



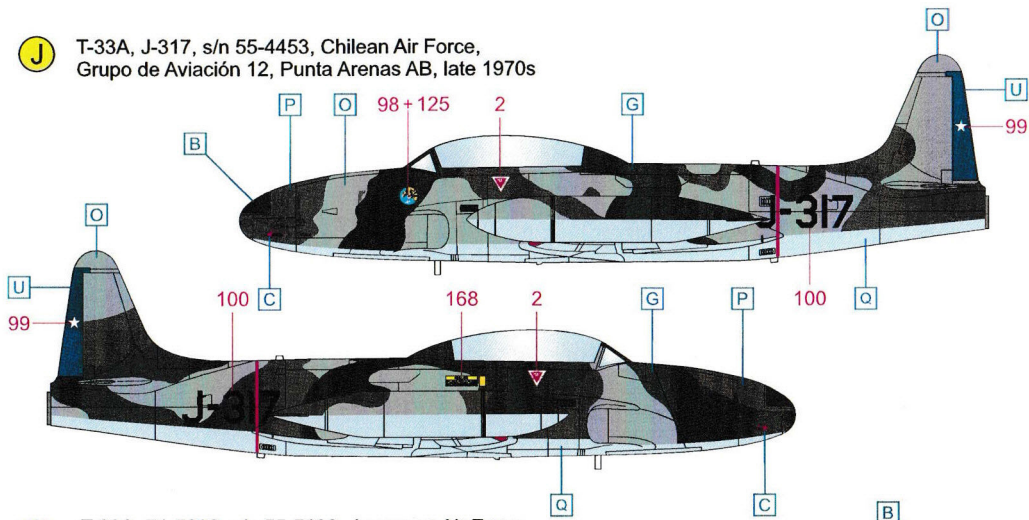
H T-33A-1-LO, TR-955, s/n 52-9955, c/n 580-8186, Greek Air Force,
222. Mira, Souda Bay AB, late 1990s



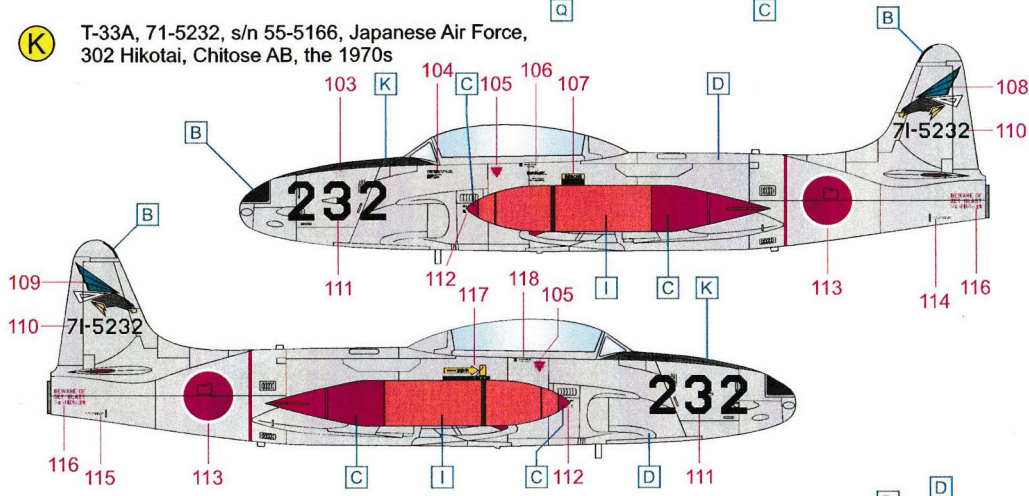
I T-33A, No 721, s/n unknown, Guatemaltecan Air Force,
Escuadrón de Ataque y Reconocimiento, San José - Felipe Cruz AB, 1970



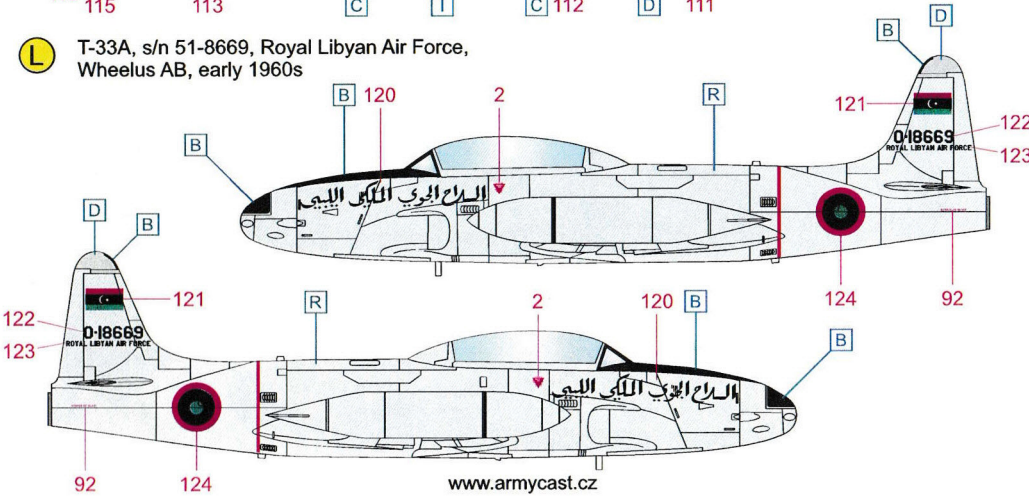
J T-33A, J-317, s/n 55-4453, Chilean Air Force, Grupo de Aviación 12, Punta Arenas AB, late 1970s



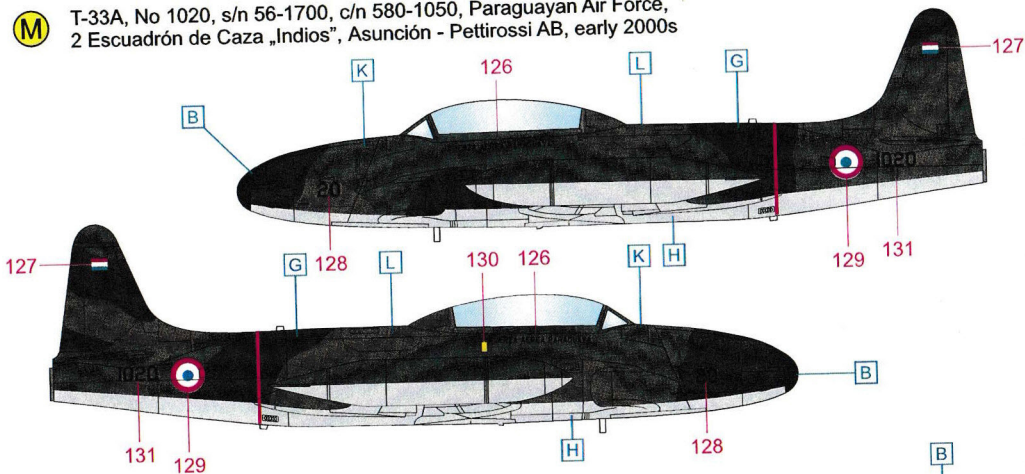
K T-33A, 71-5232, s/n 55-5166, Japanese Air Force, 302 Hikotai, Chitose AB, the 1970s



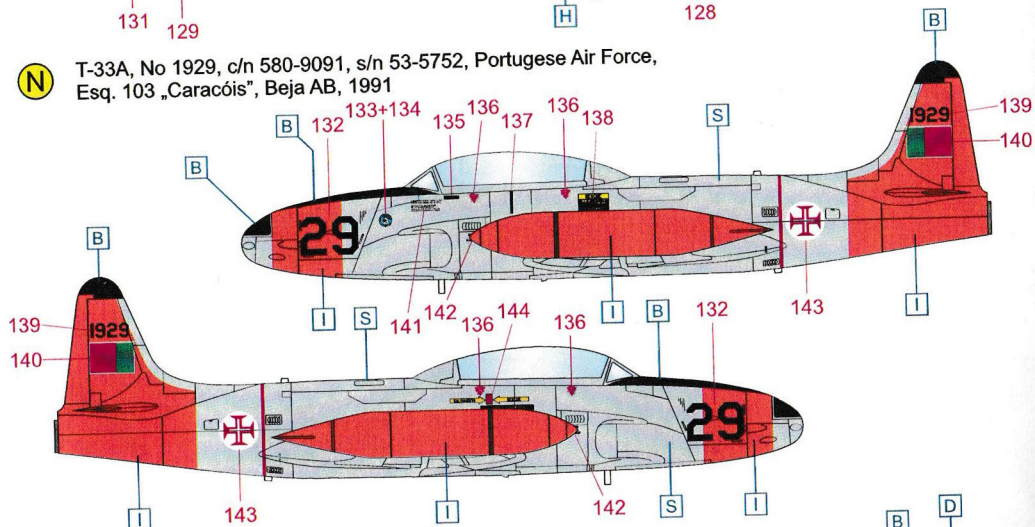
L T-33A, s/n 51-8669, Royal Libyan Air Force, Wheelus AB, early 1960s



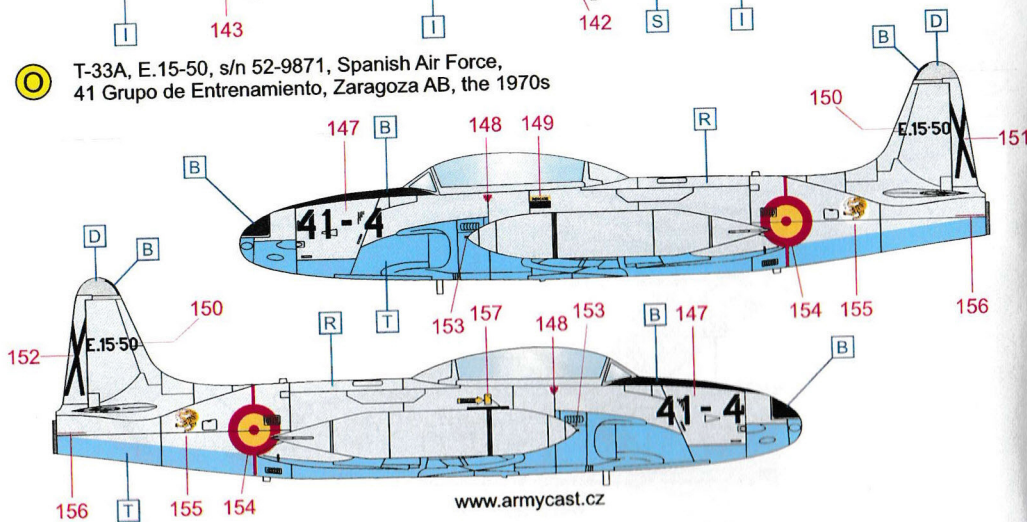
M T-33A, No 1020, s/n 56-1700, c/n 580-1050, Paraguayan Air Force,
2 Escuadrón de Caza „Indios”, Asunción - Pettirossi AB, early 2000s



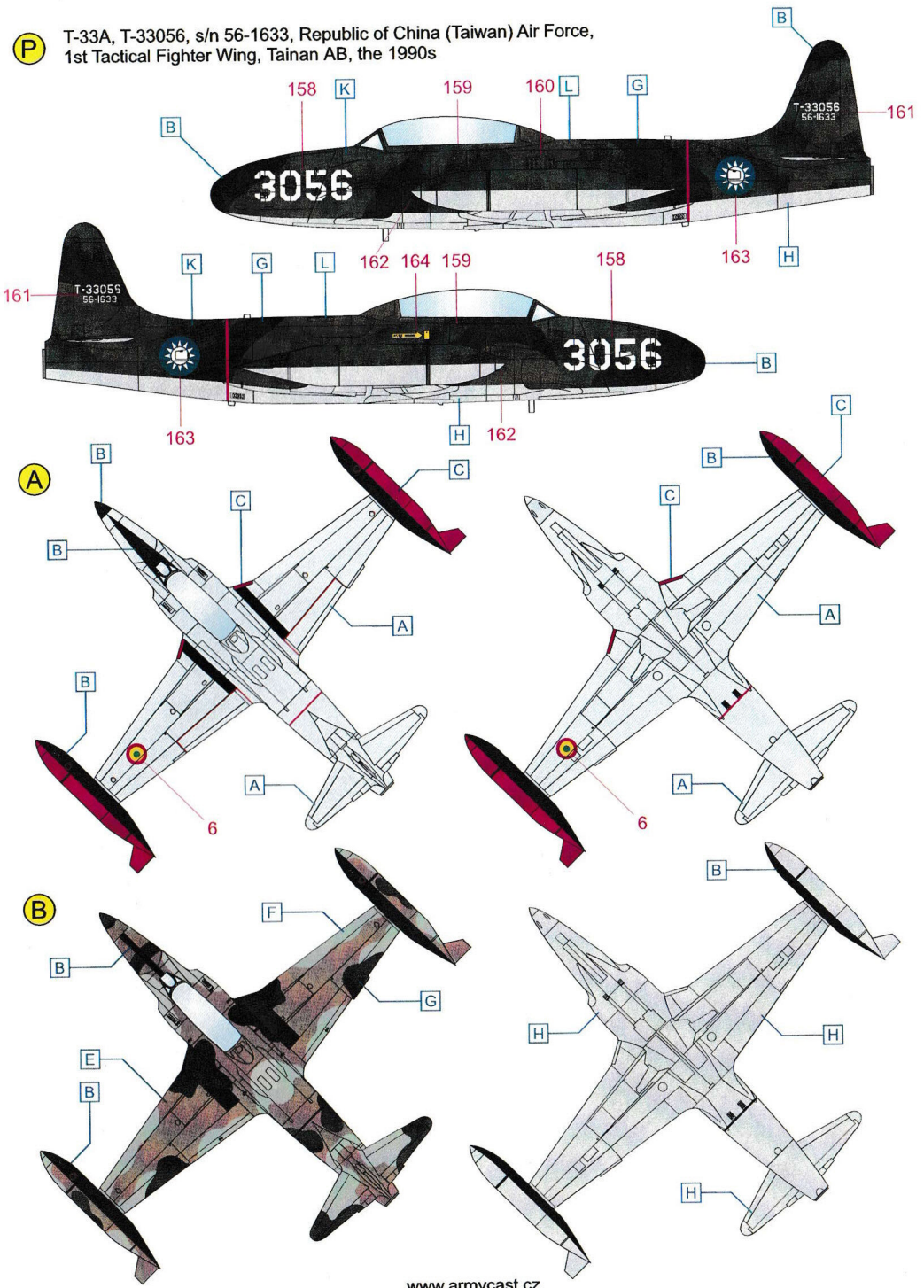
N T-33A, No 1929, c/n 580-9091, s/n 53-5752, Portuguese Air Force,
Esq. 103 „Caracóis”, Beja AB, 1991

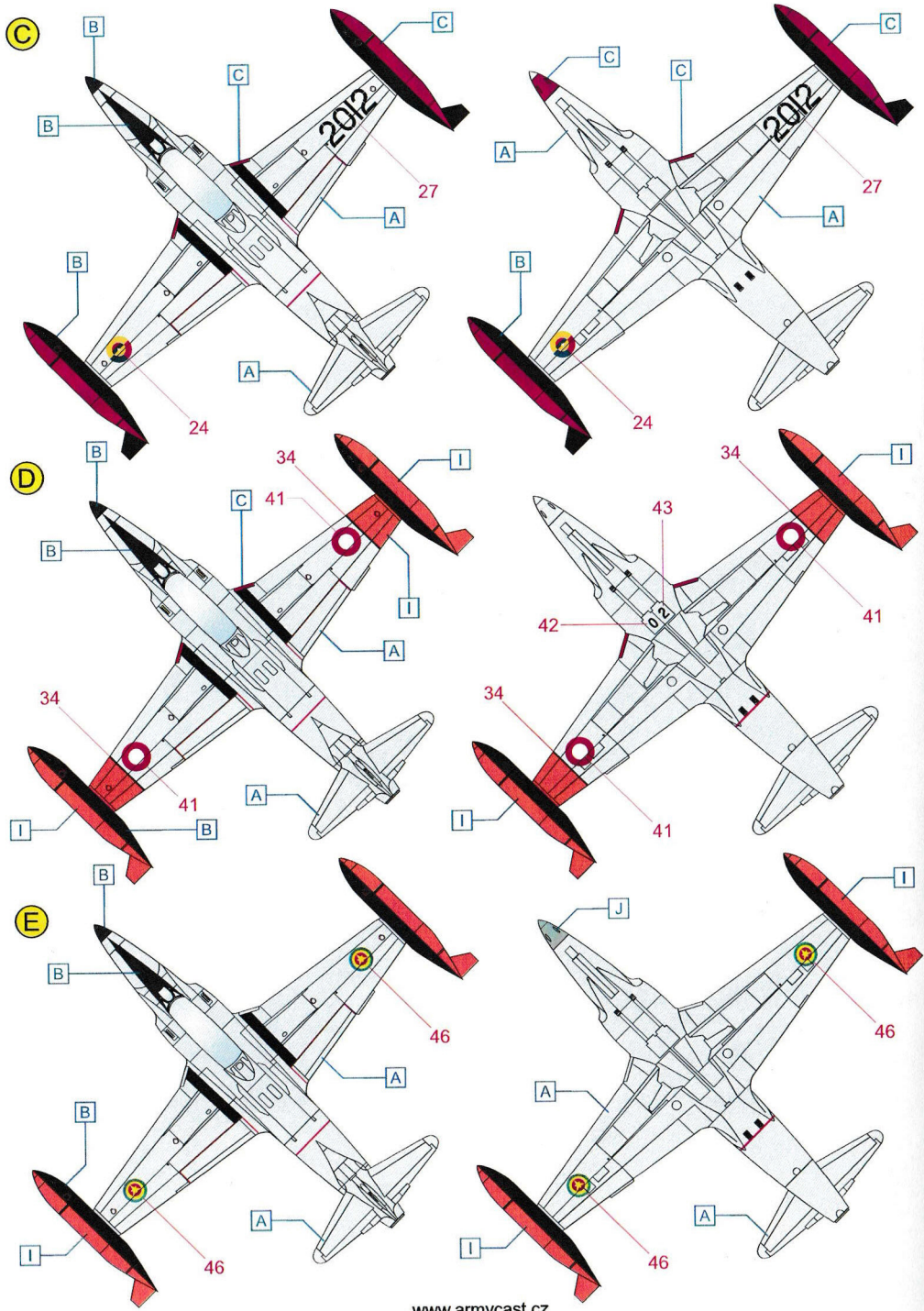


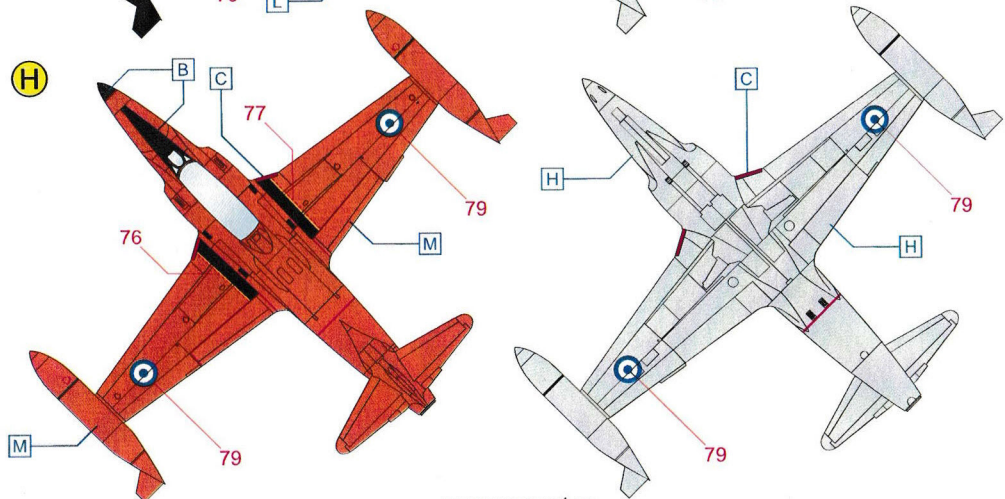
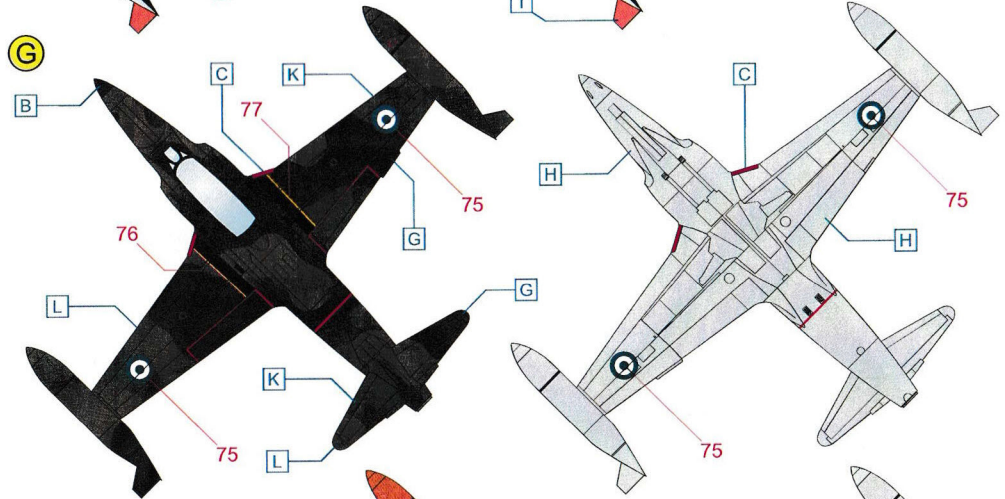
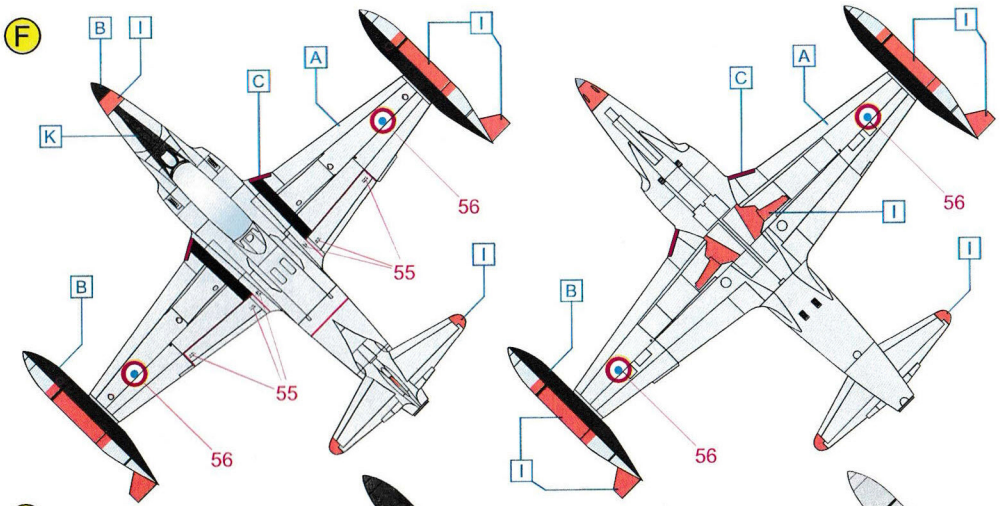
O T-33A, E. 15-50, s/n 52-9871, Spanish Air Force,
41 Grupo de Entrenamiento, Zaragoza AB, the 1970s

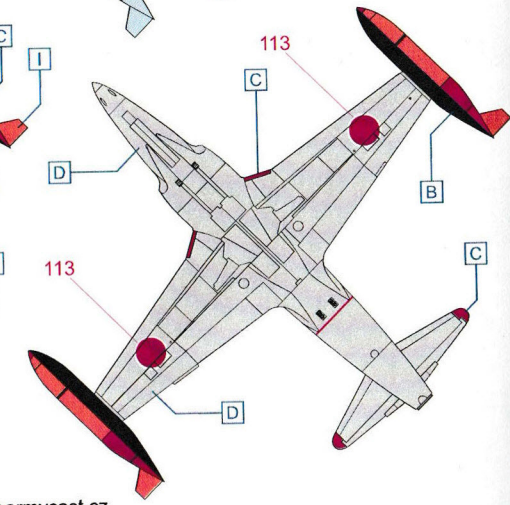
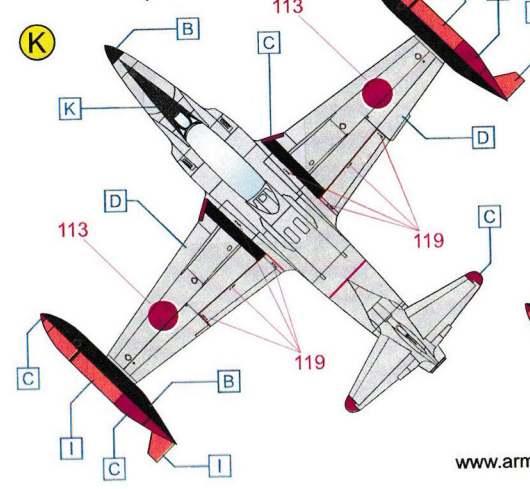
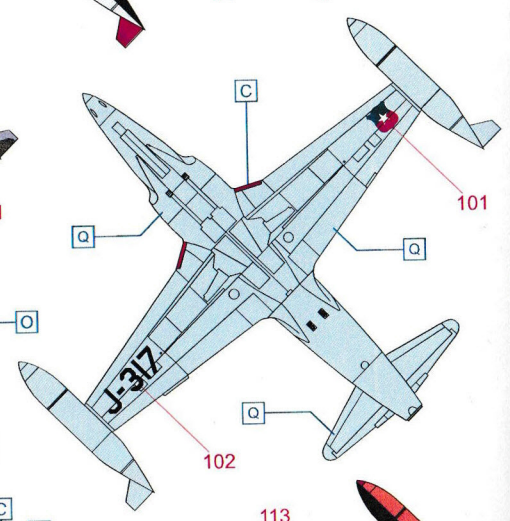
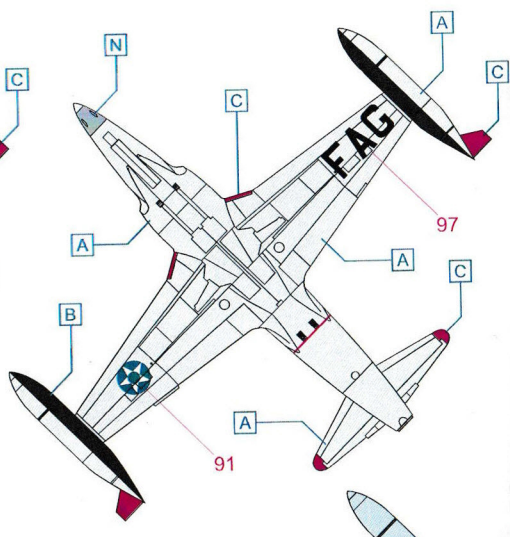
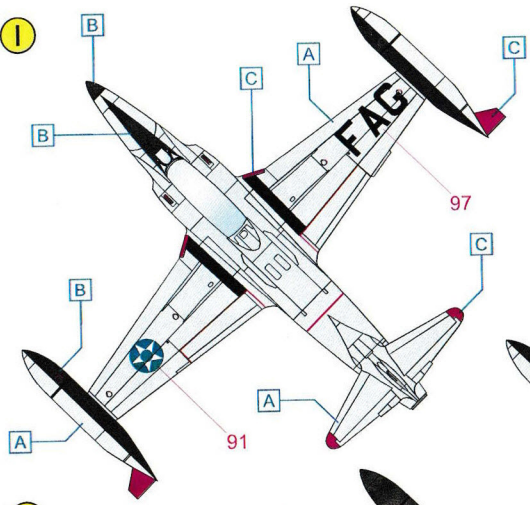


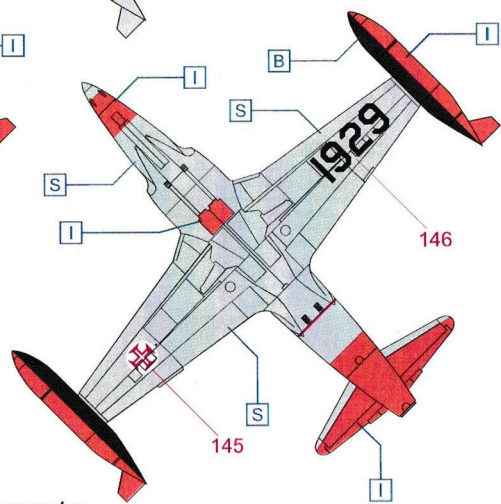
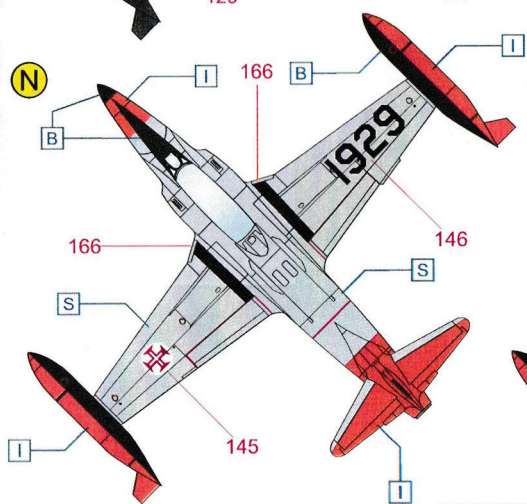
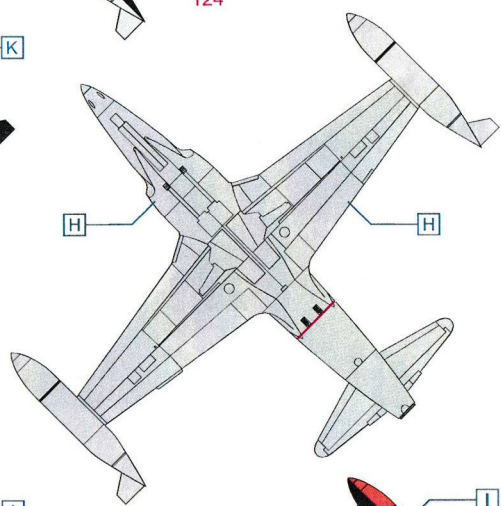
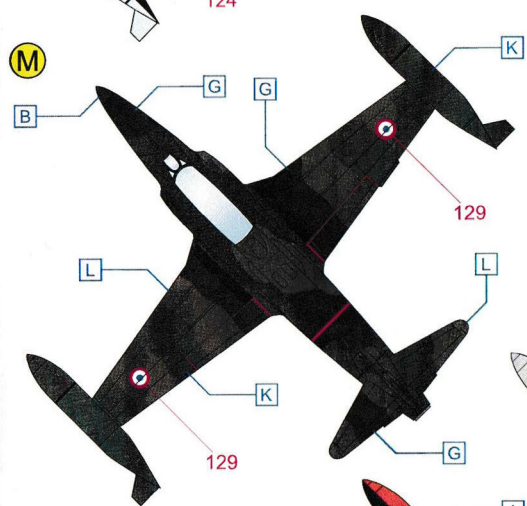
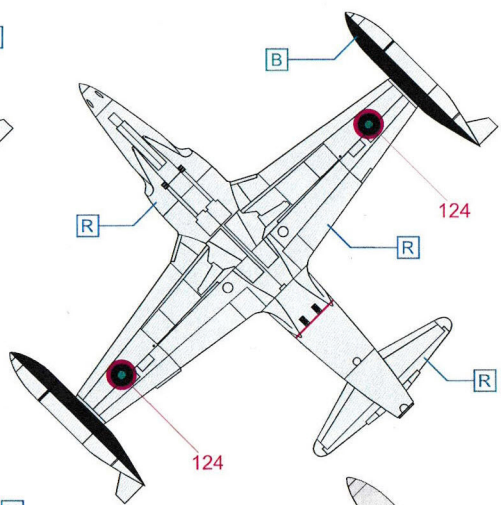
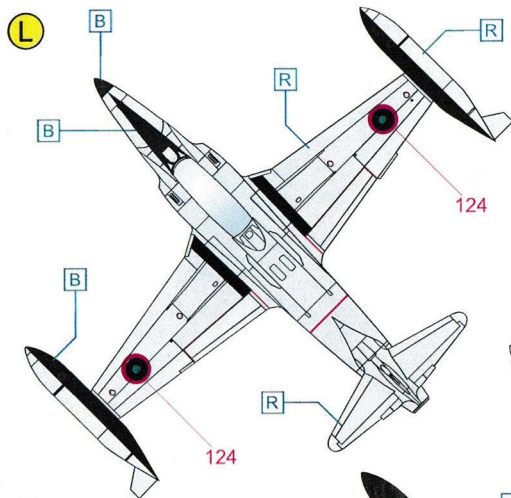
P T-33A, T-33056, s/n 56-1633, Republic of China (Taiwan) Air Force, 1st Tactical Fighter Wing, Tainan AB, the 1990s

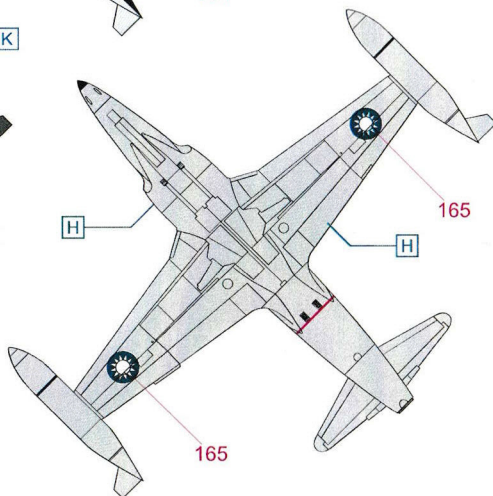
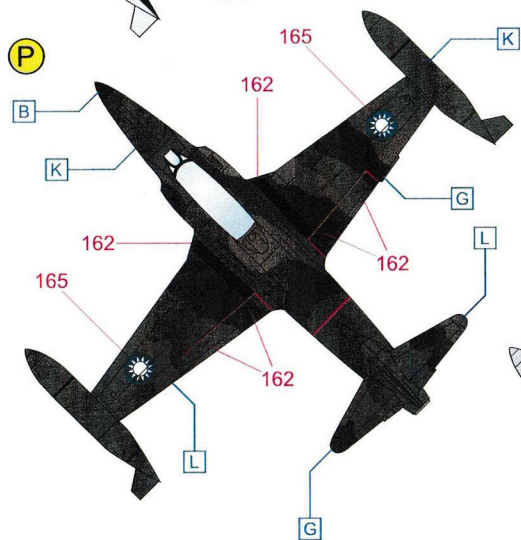
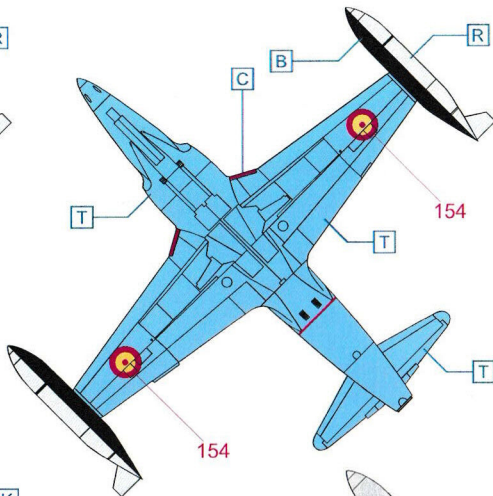
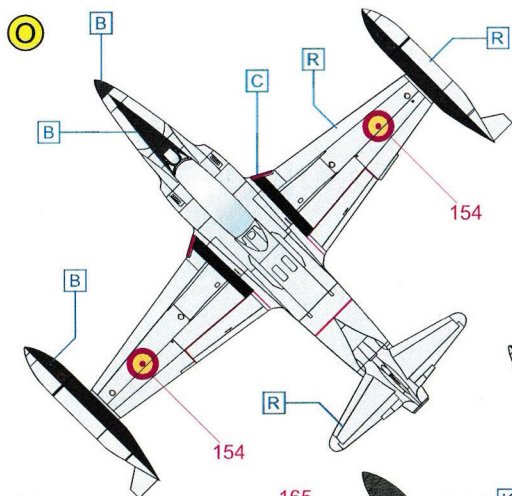












Used colours:

			GUNZE SANGYO Mr. COLOR	
A		NATURAL ALUMINIUM		SM 01
B		BLACK MATT	FS 37038	33
C		RED	FS 11105	3
D		GREY	FS 26440	325
E		MIDDLE STONE		21
F		LIGHT GREEN	FS 34424	26 + 312
G		DARK GREEN	FS 34079	309
H		LIGHT GREY	FS 36622	311
I		ORANGE		59
J		MIDDLE GREY	FS 36320	307

Recommended kit: Great Wall Hobby (G.W.H.)

K		OLIVE GREEN	FS 34102	303
L		EARTH	FS 30219	310
M		ORANGE	FS 23538	58
N		STAINLESS STEEL		
O		DARK SEA GREY	BS 381C/638	331
P		BROWN		43
Q		LIGHT BLUE	FS 35466	115
R		ALUMINIUM PAINT		SM 01
S		LIGHT GREY	FS 26495	338
T		AZURE BLUE		34
U		DARK BLUE	FS 25050	328