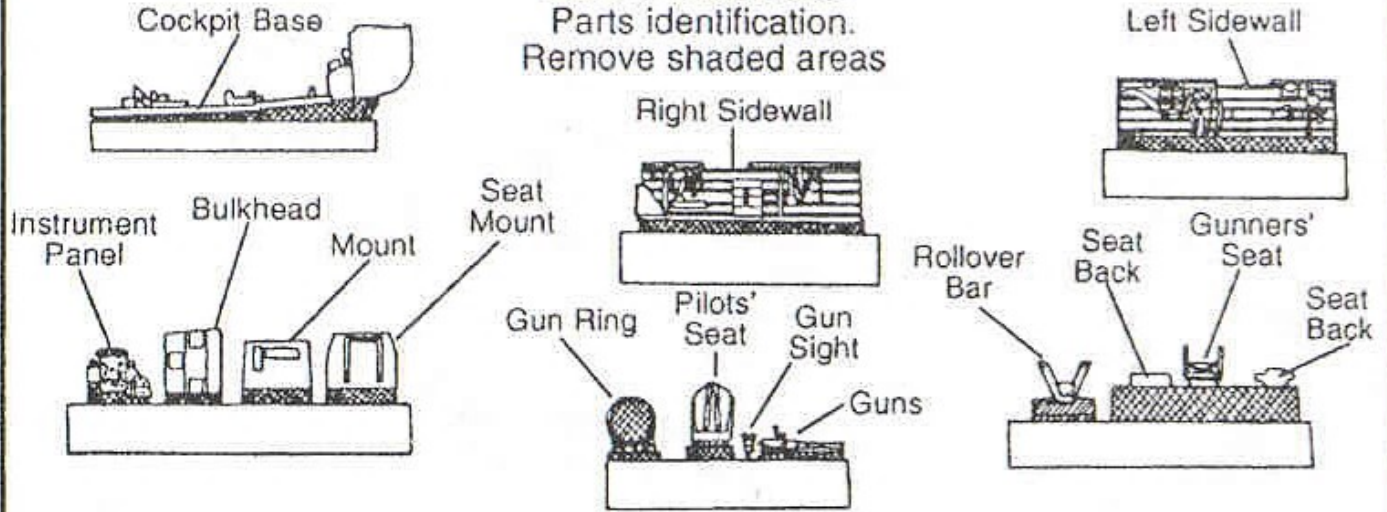
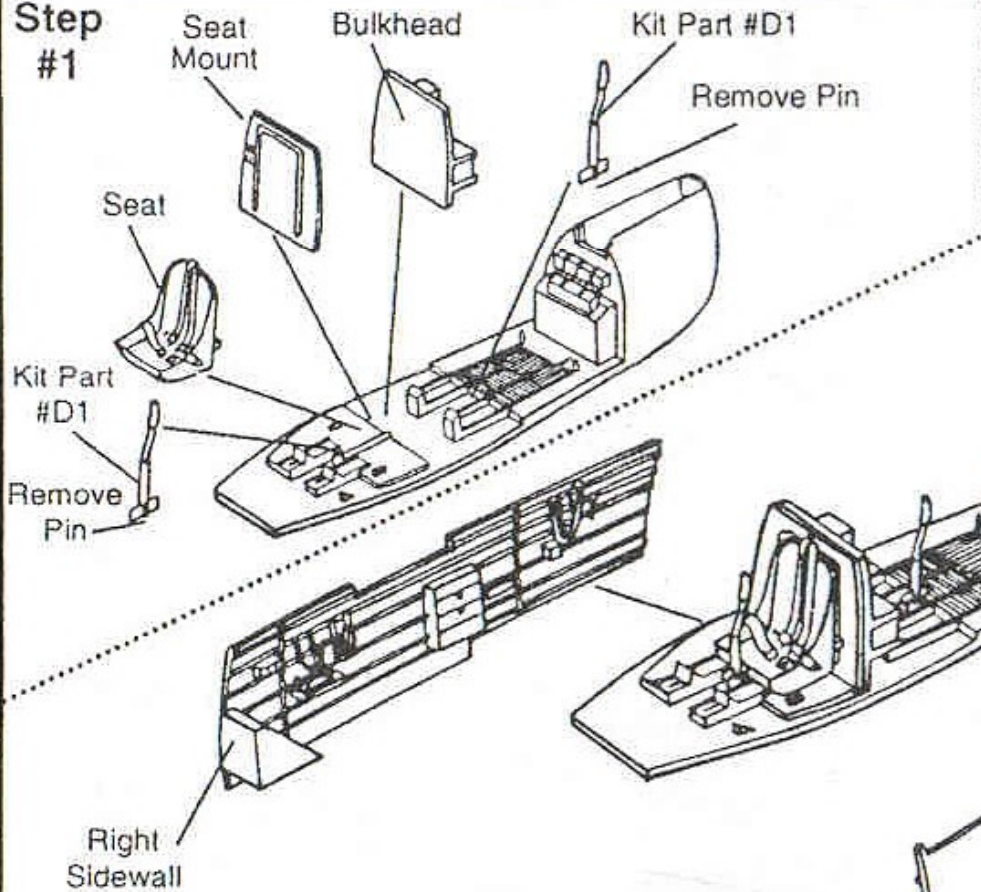


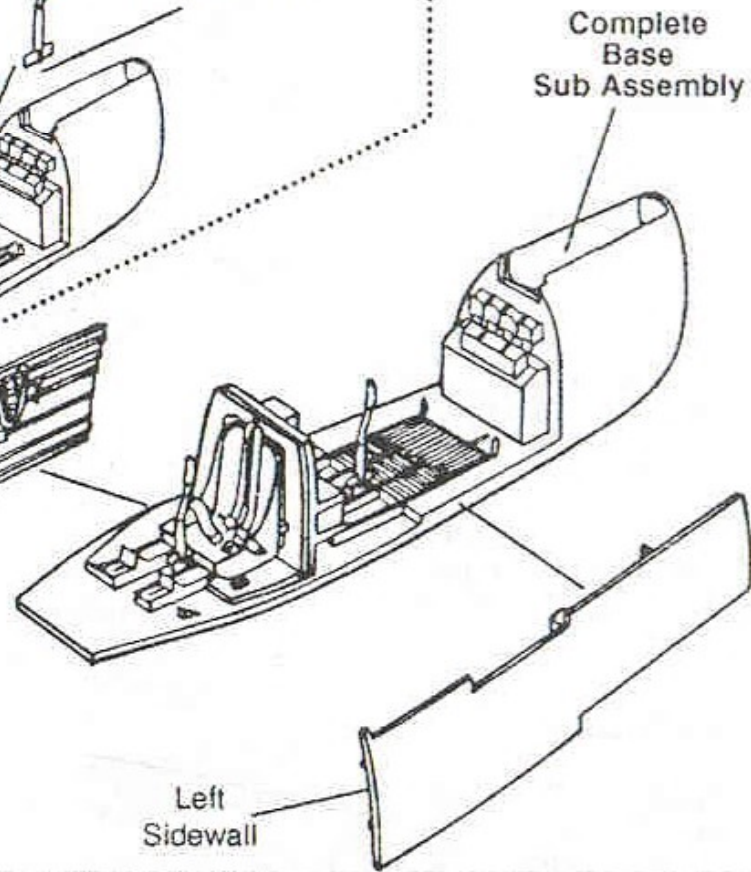
SBD-4 Dauntless
Parts identification.
Remove shaded areas



Step #1



Step #2



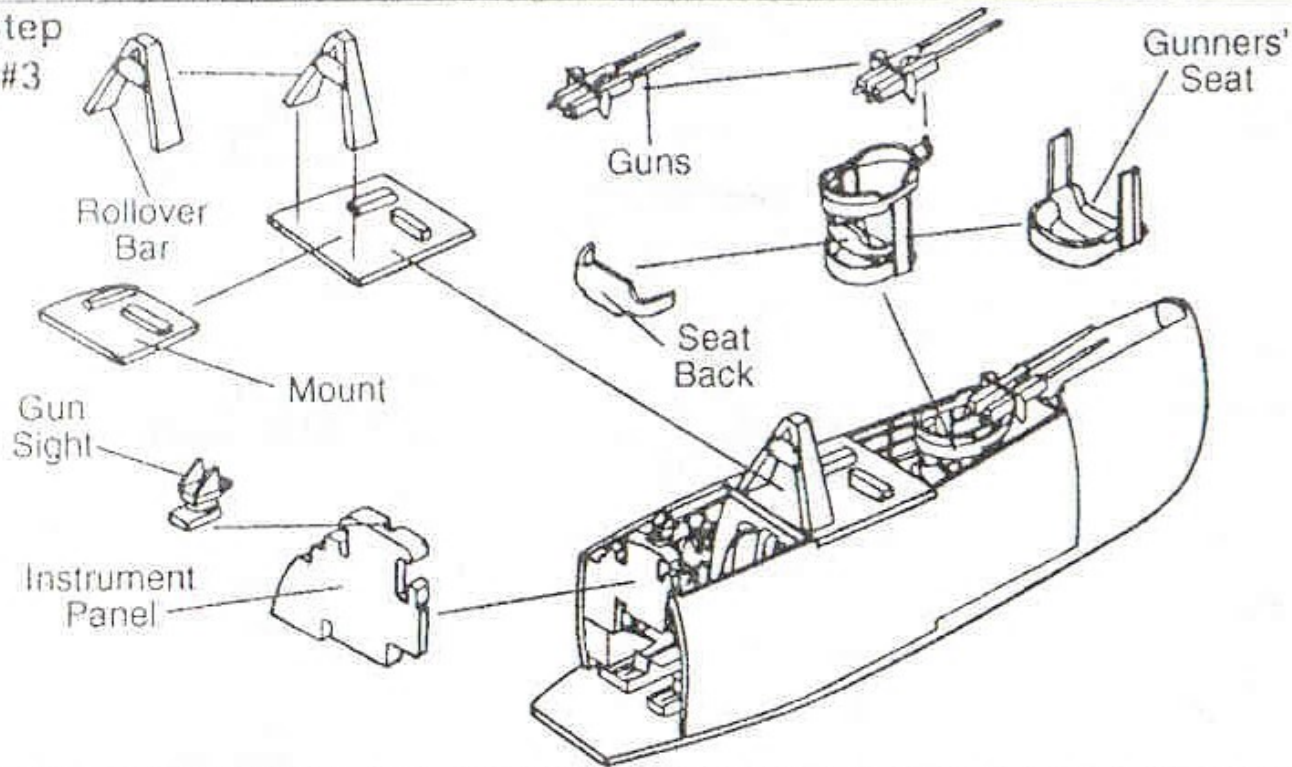
General Color Notes

Cockpit interior: FS34151 (Interior Green) with FS37038 (Flat Black) equipment boxes and control panels.

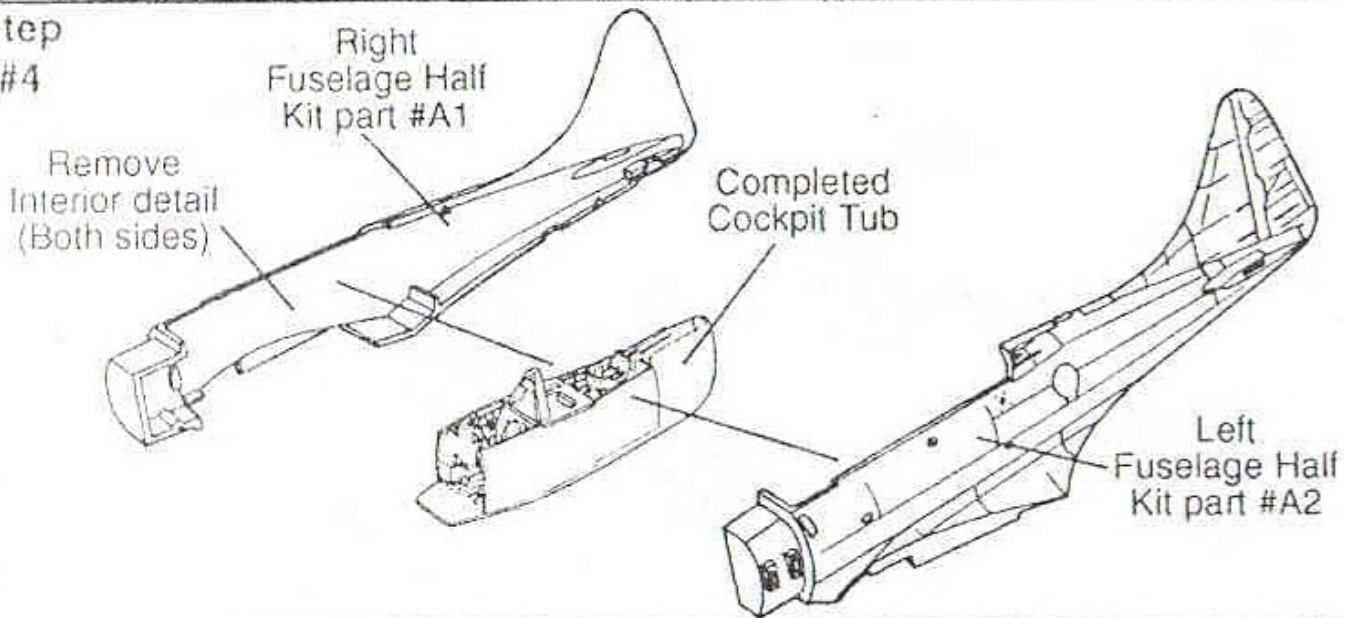
T-handles and Levers: FS11400 (Red)

Seat belts: FS37778 (Off White). Buckles: FS17178 (Silver)

Step #3



Step #4

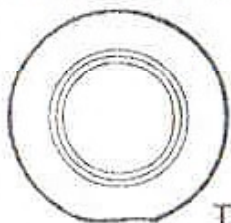


SBD -4 Dauntless

Cockpit Detail Set TD72461 (Recommended for the 1/72 scale Hasegawa kit)

• These are resin parts. Super Glue or epoxy must be used for gluing

Congratulations on purchasing another fine True Details product. Don't forget to include our Flattened and Bulged Wheels, shown below to your model for added realism.



TD72032



Our wheels have accurate wheel/hub detail and tread pattern. They are bulged to give your model the realistic look of a loaded aircraft.