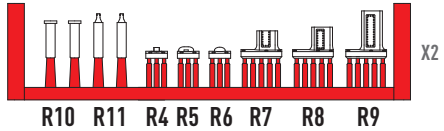
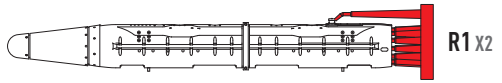
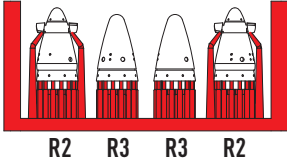
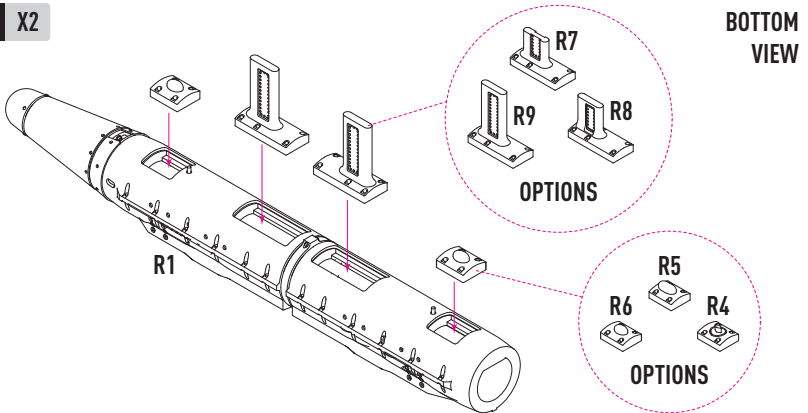


CUT

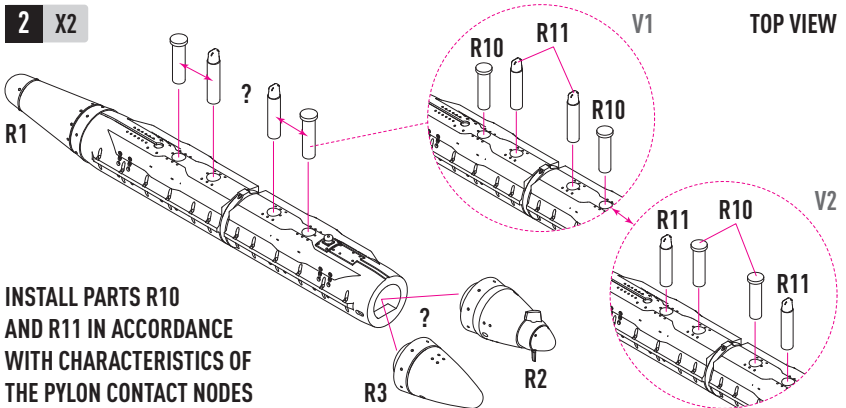
USE A SAW TO REMOVE SUPPORTS FROM 3D PRINTED PARTS



1 X2



2 X2

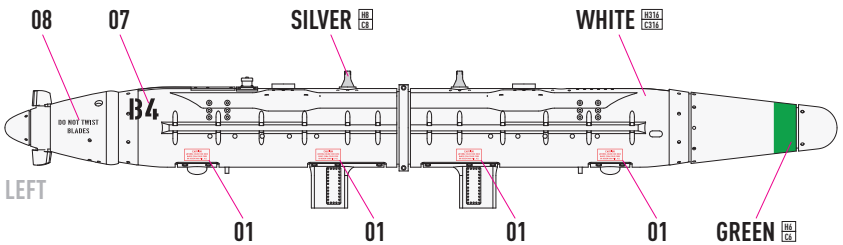
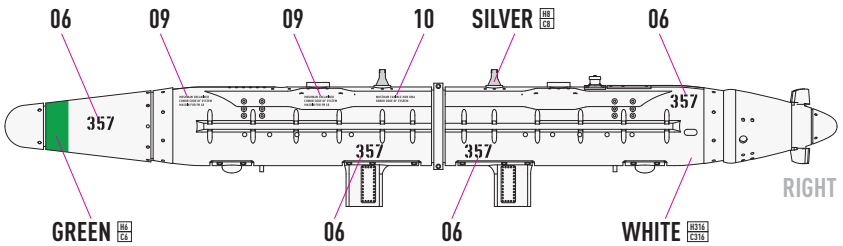
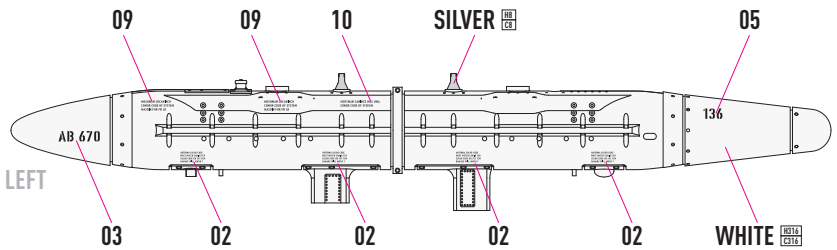
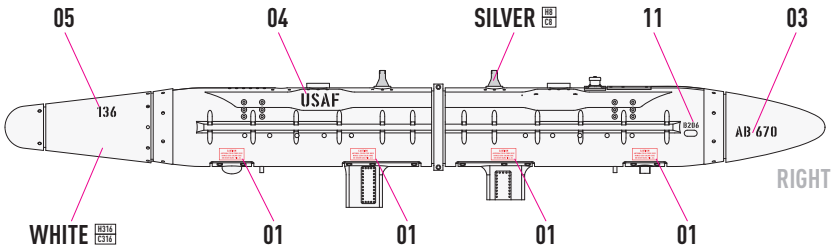


INSTALL PARTS R10 AND R11 IN ACCORDANCE WITH CHARACTERISTICS OF THE PYLON CONTACT NODES

AN/ALQ-87 ECM POD EARLY TYPE

F-100, F-101, F-105, F-111, F-4 (2 PCS)

DECAL INSTRUCTION **RS32-0441**



COLORS	GUNZE / AEGIUS	GUNZE / MR.COLOR
WHITE	H316	C316

COLORS	GUNZE / AEGIUS	GUNZE / MR.COLOR
SILVER	H8	C8

COLORS	GUNZE / AEGIUS	GUNZE / MR.COLOR
GREEN	H6	C6