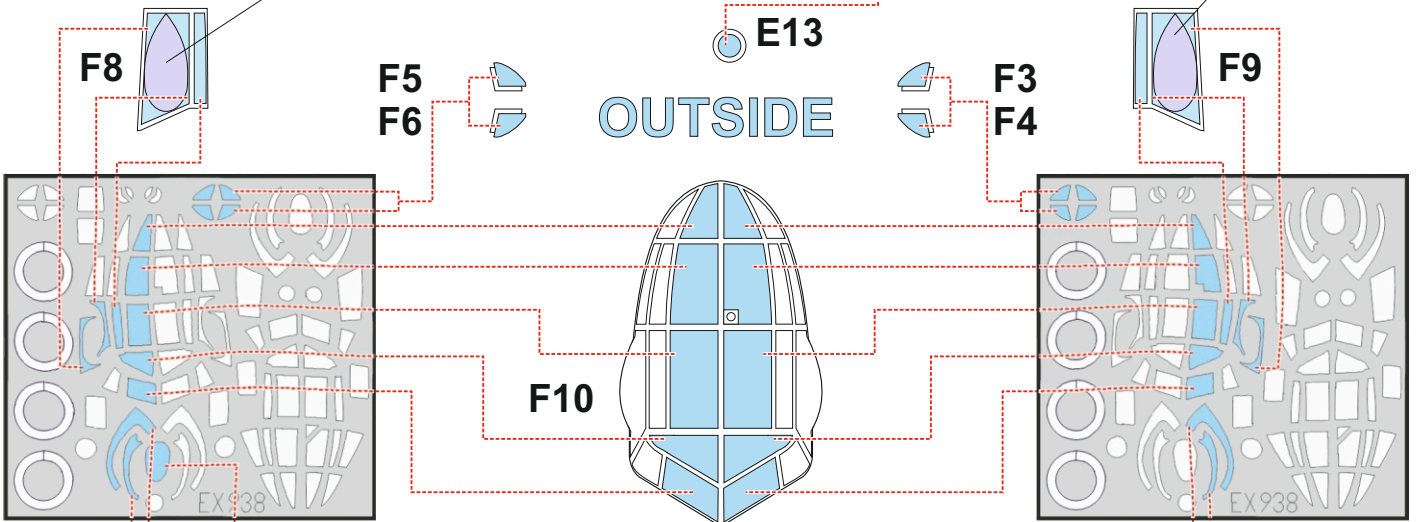
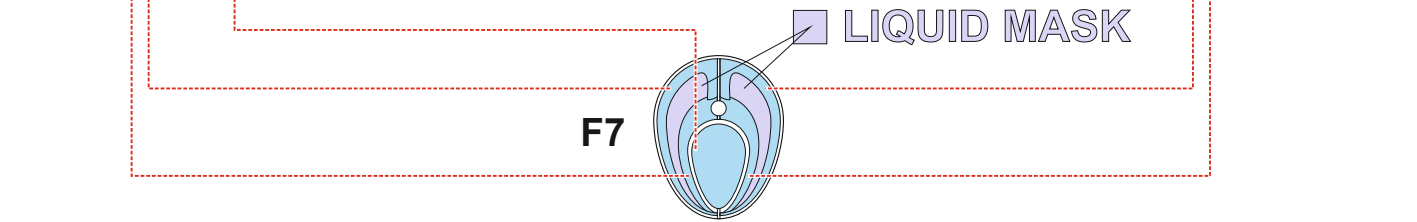


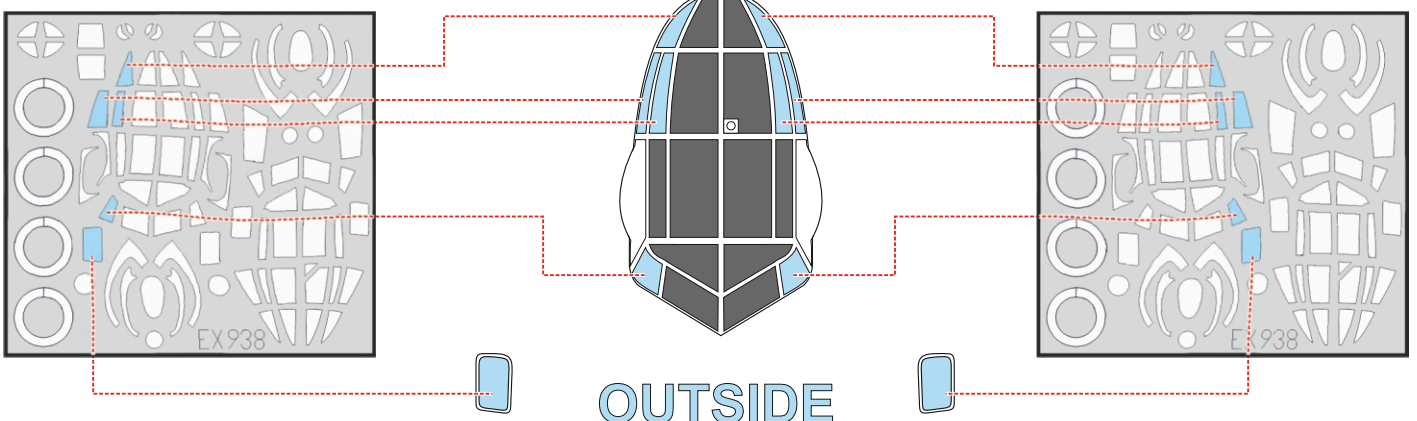
LIQUID MASK



OUTSIDE

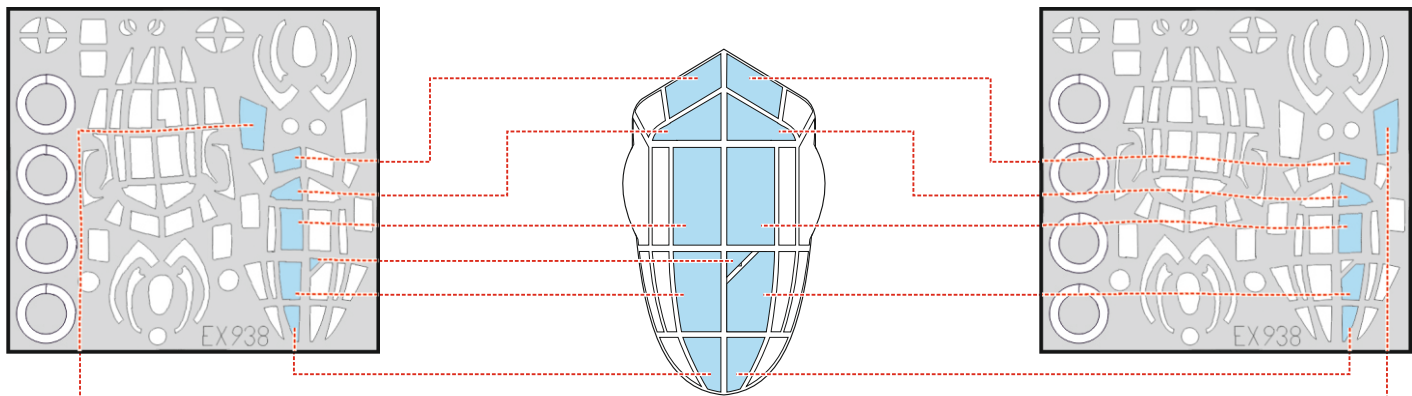


LIQUID MASK

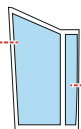


OUTSIDE

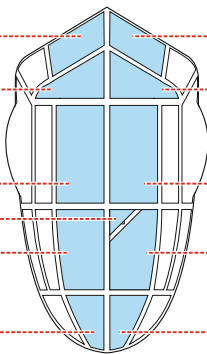
INSIDE



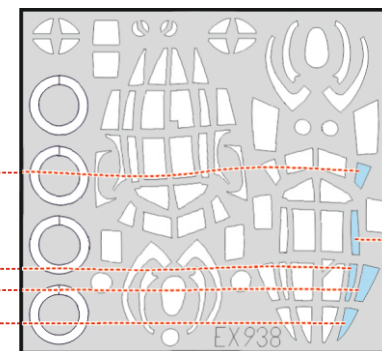
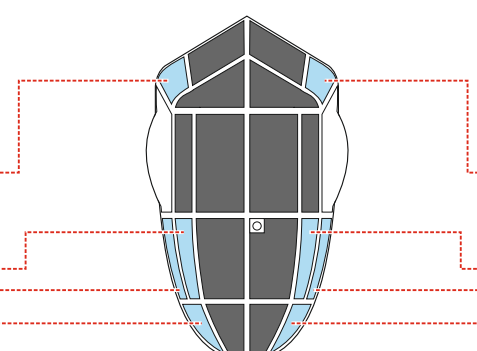
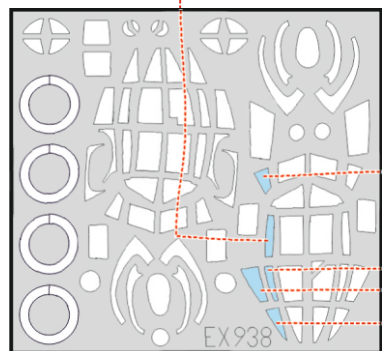
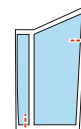
F8



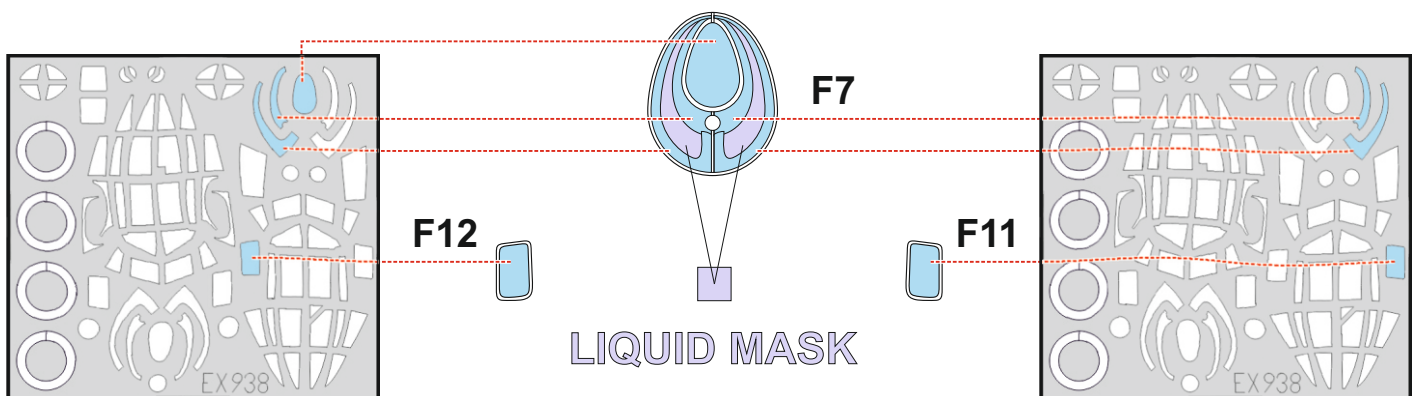
F10



F9



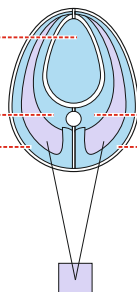
INSIDE



F12



F7



F11



LIQUID MASK