

HAWKER HIND

Plastic model

AZ 7242 AZ 7253

Scale 1/72

The British Hawker Hind was an Royal Air Force light bomber of the inter-war years produced by Hawker Aircraft. The Hind went into service in November 1935 and eventually equipped 20 RAF bomber squadrons. A number were also sold to foreign customers including Afghanistan, Eire (Ireland), Latvia, Persia (Iran), Portugal, South Africa, Switzerland, and Yugoslavia. The Hind found a new career in 1938 as a training aircraft representing the next step up from basic training on Tiger Moths. It continued in use as an intermediate trainer during the Second World War.

- Crew: 2
- Length: 29 ft 3 in (8.92 m)
- Wingspan: 37 ft 3 in (11.36 m)
- Height: 10 ft 7 in (3.23 m)
- Wing area: 348 ft² (32.3 m²)
- Empty weight: 3,195 lb (1,452 kg)
- Max takeoff weight: 4,657 lb (2,167 kg)
- Powerplant: 1x Rolls-Royce Kestrel V Water cooled V-12, 640 hp (477 kW)
- Maximum speed: 161 knots (185 mph, 298 km/h) at 15,500 ft
- Range: 374 nm (430 mi, 692 km)
- Service ceiling 26,400 ft (8,050m)

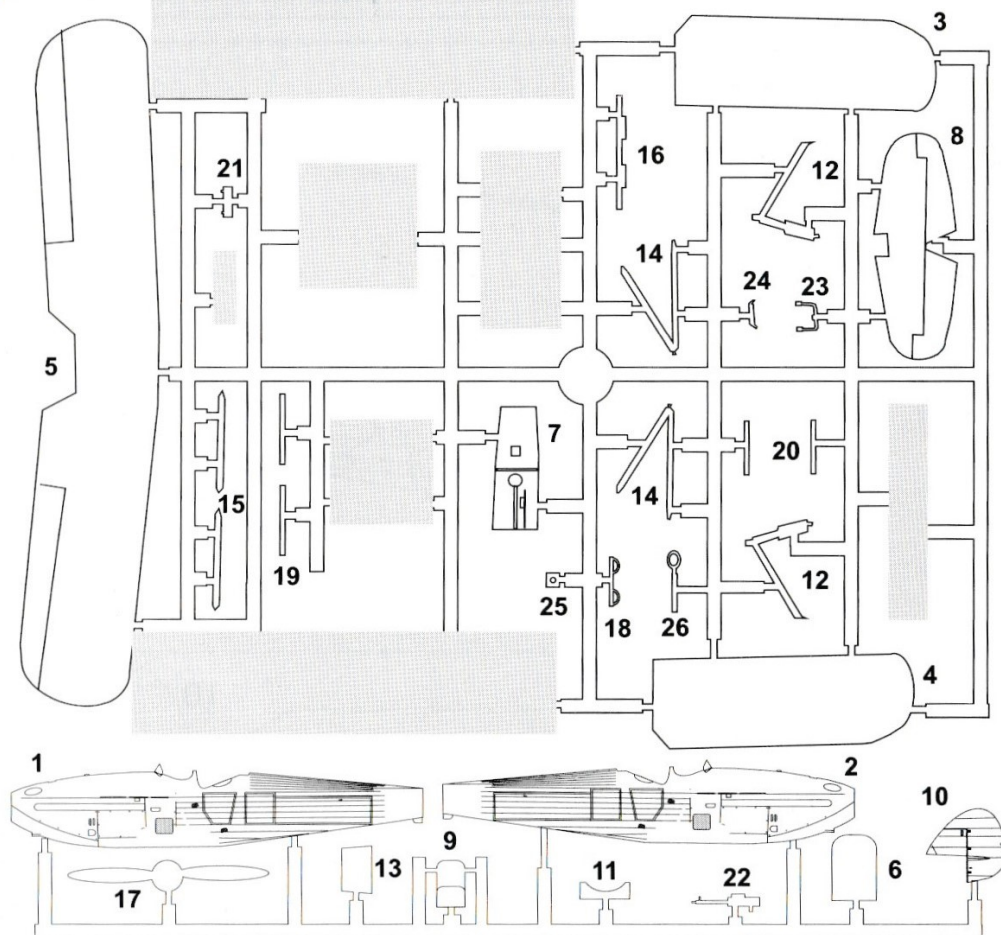
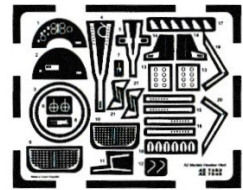
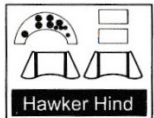


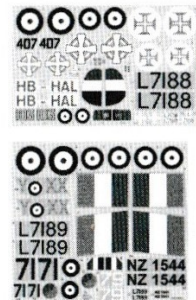
Photo-Etched parts



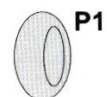
Transparent part



Decals



PUR part



OPTIONAL
VOLBA



BEND
OHNOUT



OPEN HOLE
VYVRTAT OTVOR



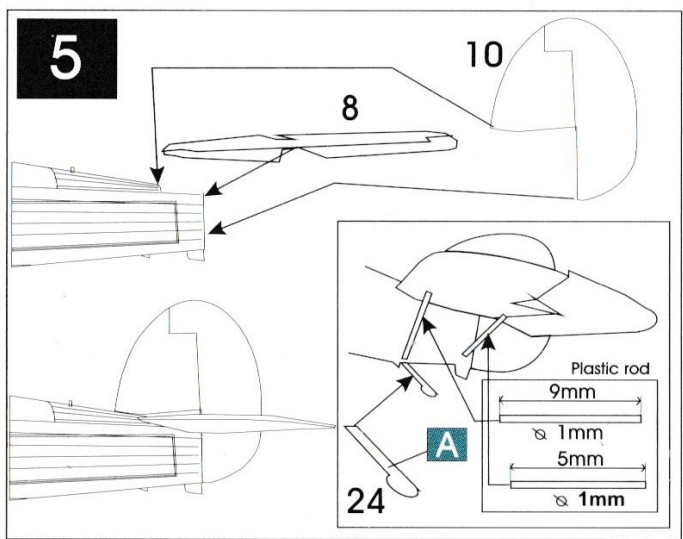
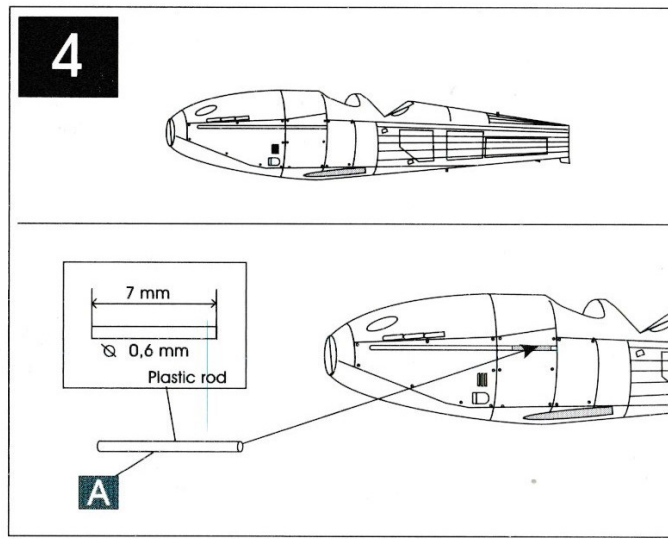
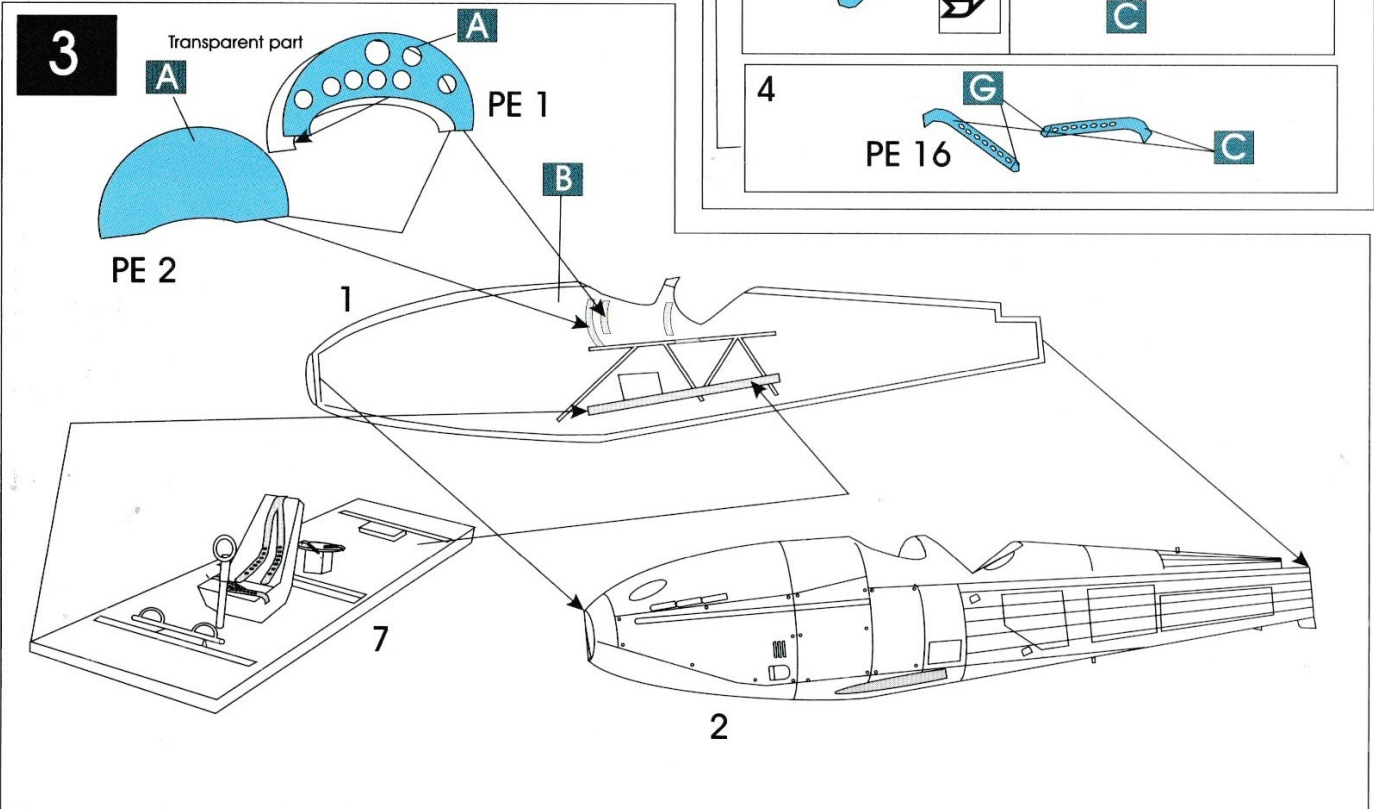
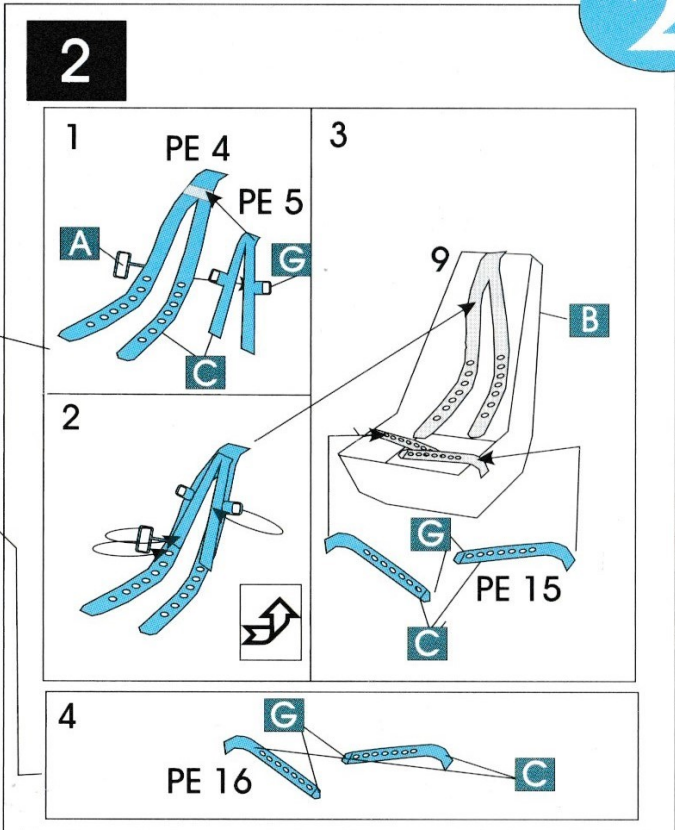
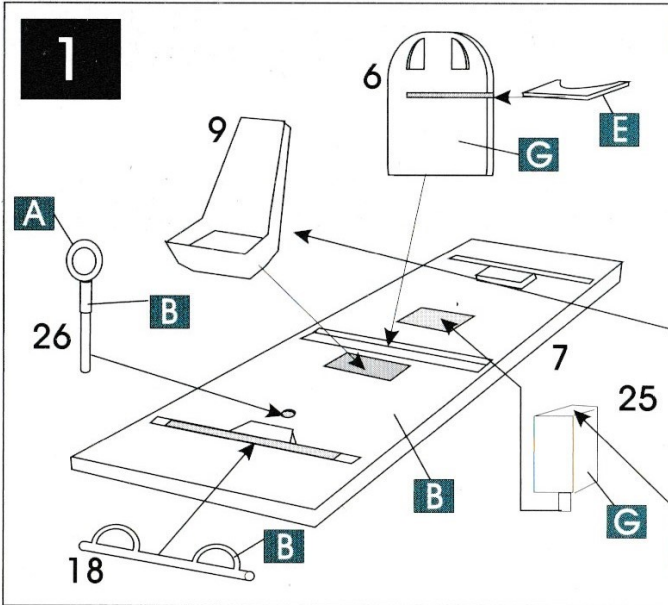
SYMMETRICAL ASSEMBLY
SYMETRICKÁ MONTÁŽ



A NOTH
ŽÁŘEZ



REMOVE
ODŘÍZNOUT



6

15mm
∅ 1mm
Plastic rod

A
Plastic rod
4mm
6mm

3+4

7

17
wood

8

transparent foil

H **H** PE 7
22 PE 6

A 22

PE 3 **H** **A** 23

PE 3 **H**

9

H

10

PE 18

19 19 20 20 **G** 14 15

11

A 21

PE 12 **H**

12

A 12 12 16 P1

A

PE 9 13

A PE 13

H PE 19 PE 20

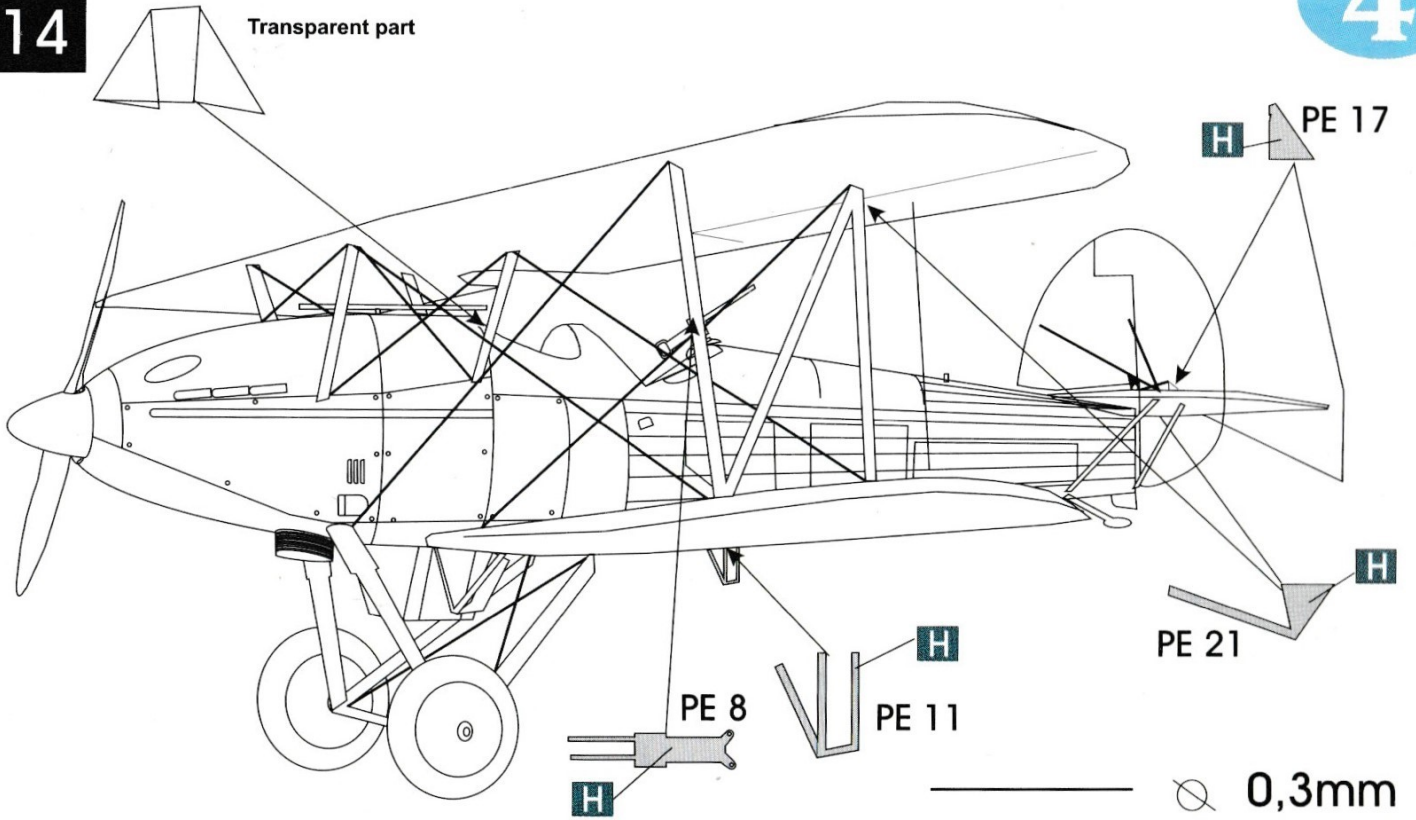
A PE 10

PE 14

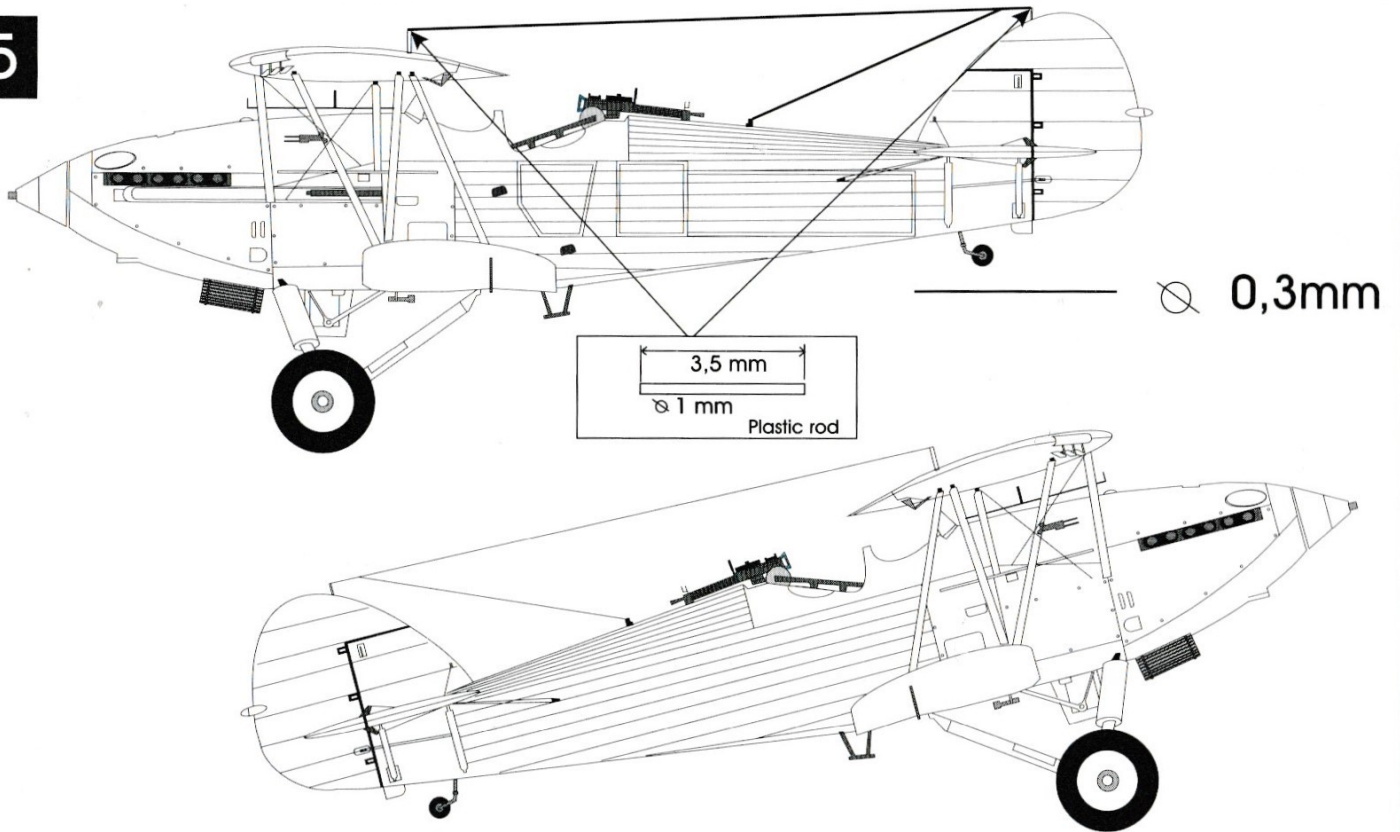
13

14

Transparent part



15



	Colour name	GUNZE SANGYO colour	AGAMA colour		Colour name	GUNZE SANGYO colour	AGAMA colour
A	Black	12	07 M	F	Red	13	04 M
B	Light Grey	61	B21 P	G	Aluminium	Mc218	46 Me
C	Leather	27	30 M	H	Chrom Silver	Mc211	08 Me
D	Copper	10	44 Me				
E	Red Brown	47	12 M				