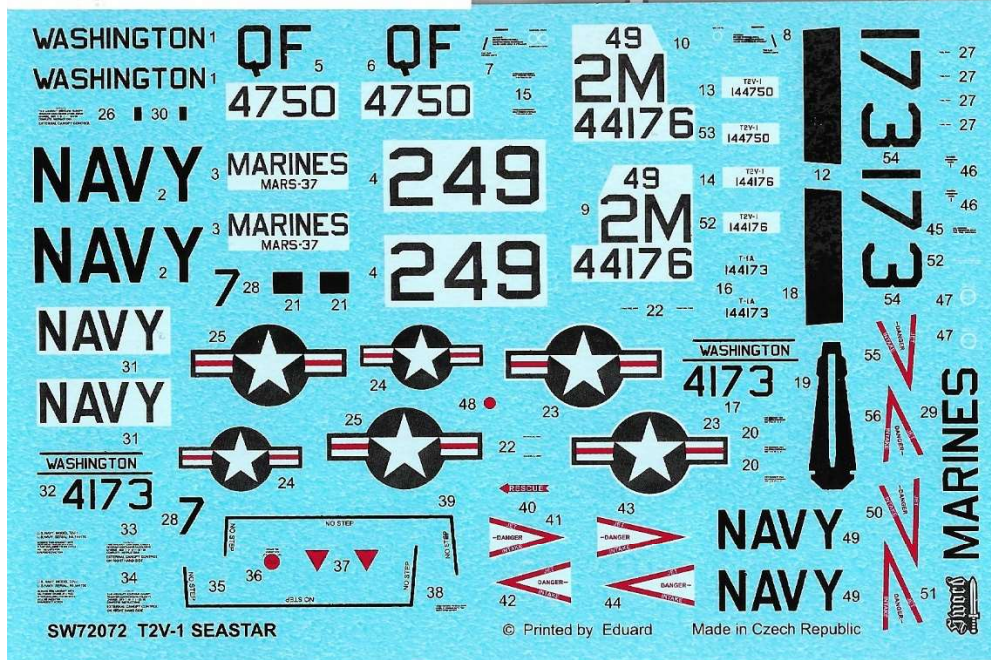
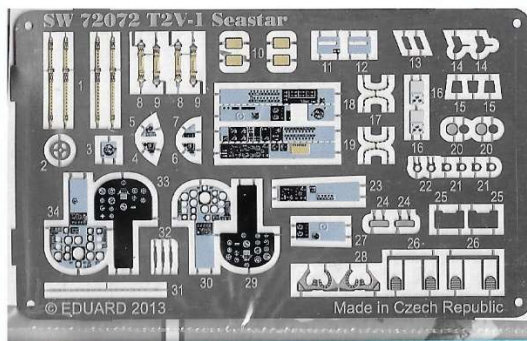
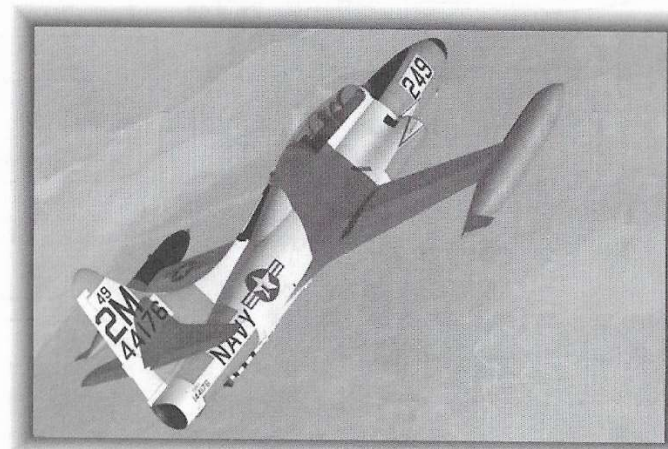




SW 72072 scale: 1/72

Lockheed T2V-1 Seastar

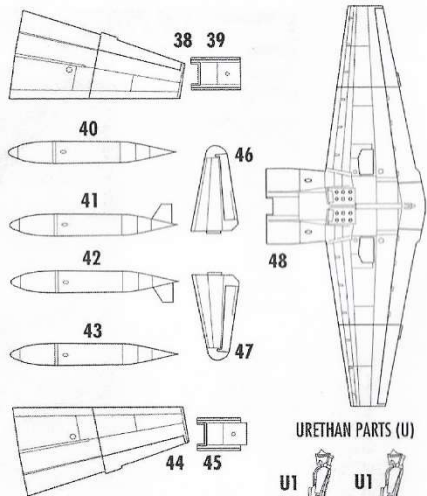
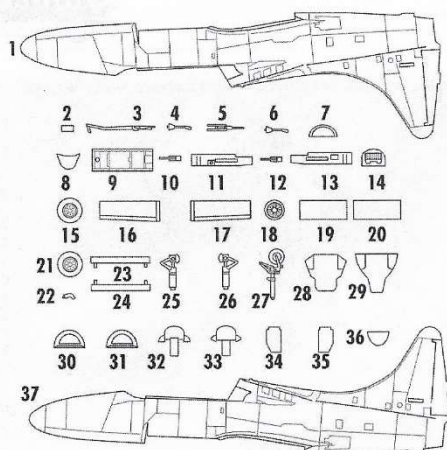


Since 1949, the U.S. Navy used the Lockheed T-33 for land-based jet aircraft training, these T-33 have been under designation TO-2, later TV-2. However, there was a strong need for training aircraft able to make operation from aircraft carriers. This request led to an advanced design development of the T-33 family, which came into result of Lockheed L-245 (under USN designation T2V). The first demonstrator L-245 first flew on 16 December 1953 and production deliveries started in 1956.

The only version of the T2V was initially designated T2V-1 when it entered service, but was redesignated T-1A SeaStar in 1962.

The T-1A was replaced by the T-2 Buckeye but remained in service into the 1970s. Compared to the T-33, the T2V was almost totally re-engineered for carrier landings with a new tail, naval avionics, strengthened undercarriage (for carrier landings and catapult use) with a retractable arrestor hook, and power-operated leading-edge. Instructor's seat was elevated to improve the vision from this seat. Besides these changes T2V had a much higher ability to withstand sea water-related aircraft wear from higher humidity and salt exposure.

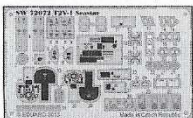
The only version of the T2V was initially designated T2V-1 when it entered service, but was redesignated T-1A SeaStar under the 1962 United States Tri-Service aircraft designation system, a name under which it would spend the majority of its career. The T-1A was replaced by the T-2 Buckeye but remained in service into the 1970s.



URETHAN PARTS (U)



PHOTO-ETCHED PARTS (PP)



CLEAR PARTS (CP)



OHNOUT
BEHD



VRTAT
OPEN HOLE



VYROBIT
SCRATCH BUILD



VTERNOVE LEPIDLO
CYANOACRYLATE GLUE



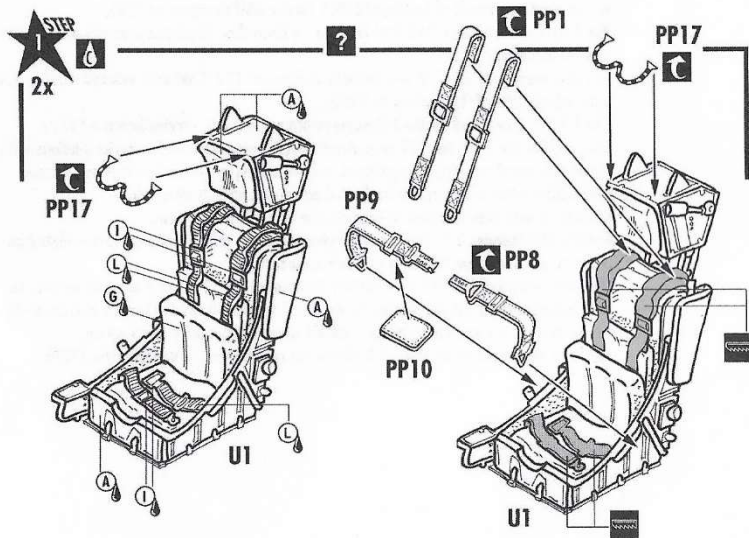
SYMETRICKÁ MONTÁŽ
SYMMETRICAL ASSEMBLY



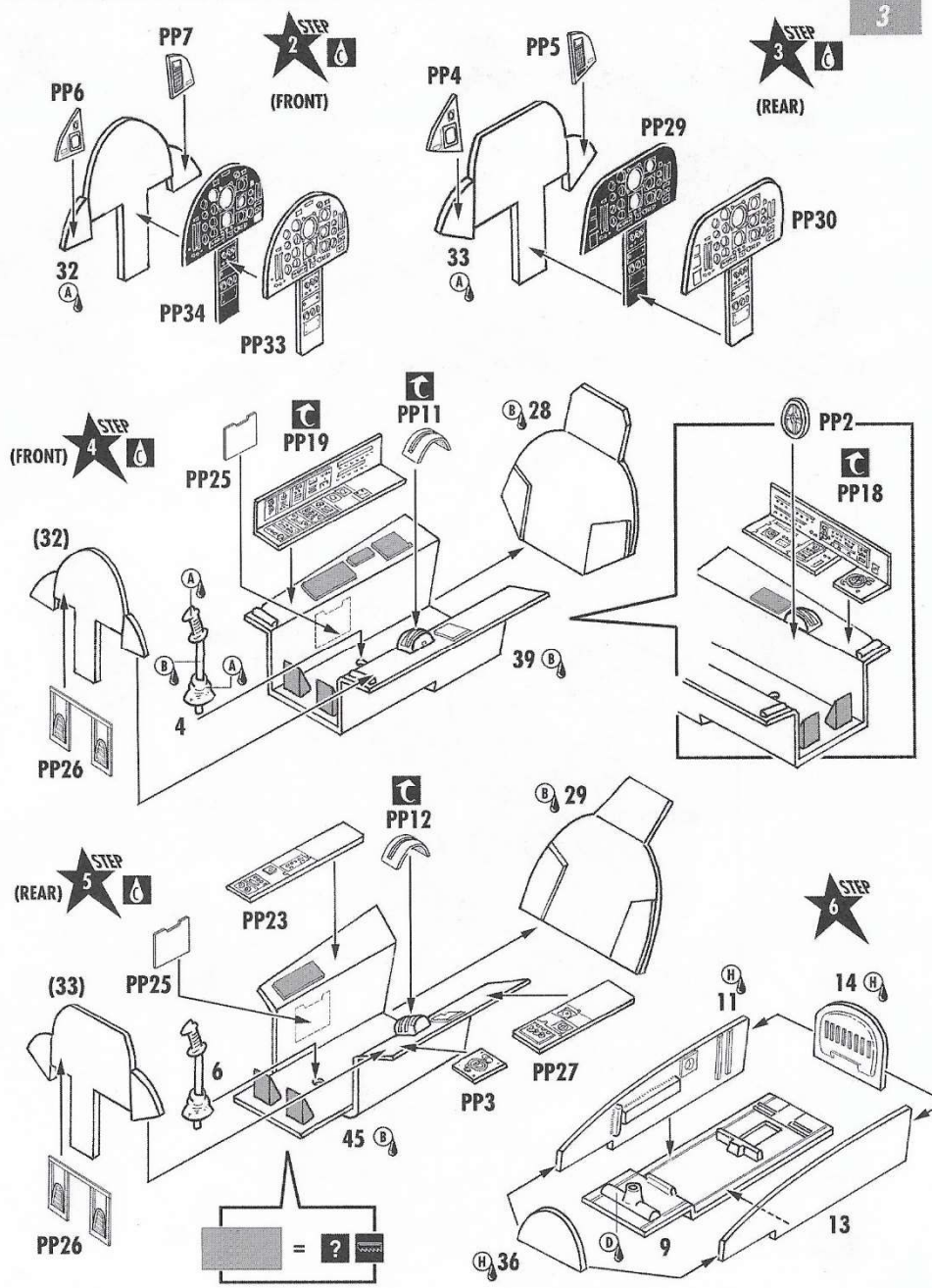
VOLBA
OPTION

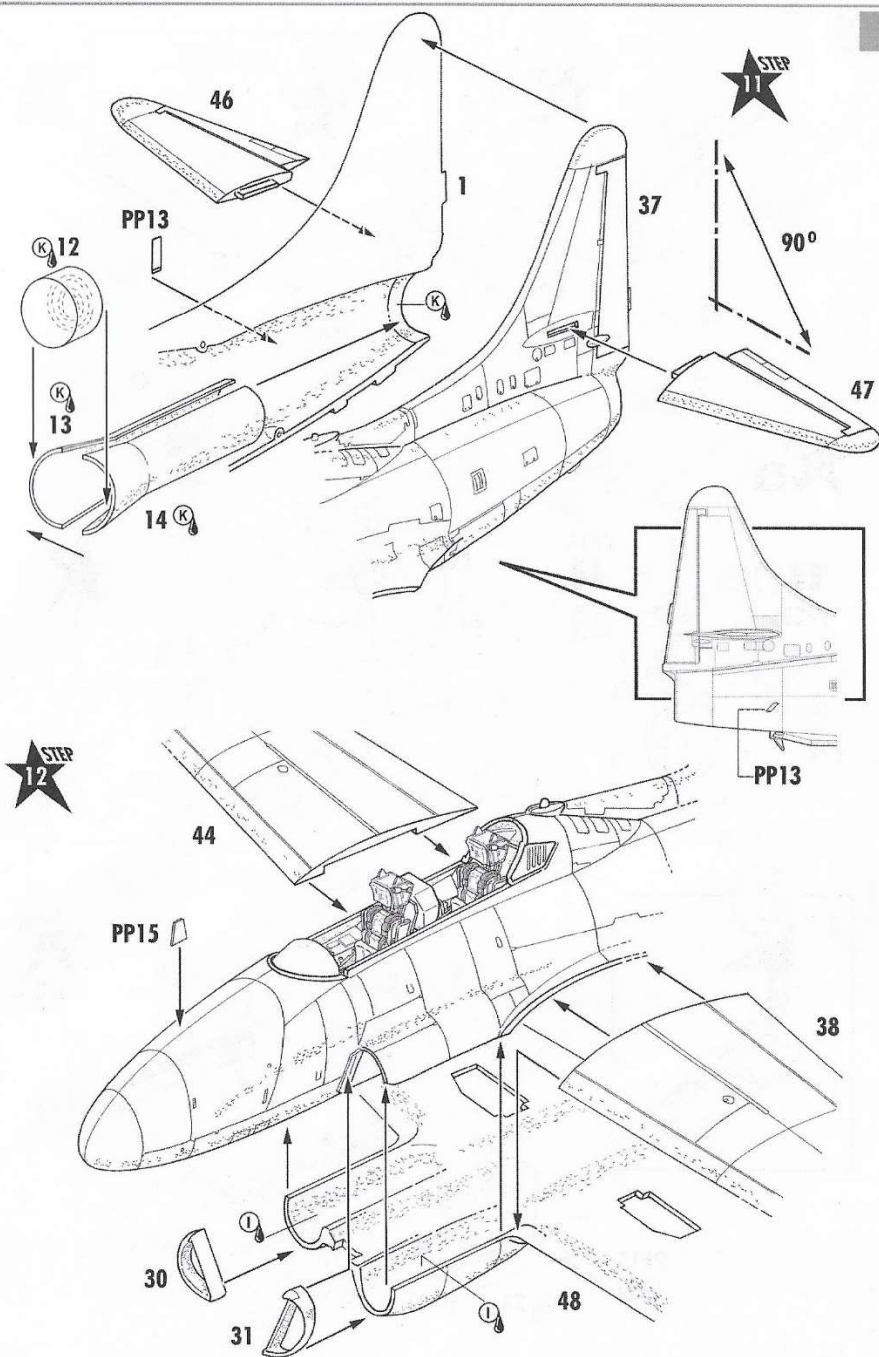
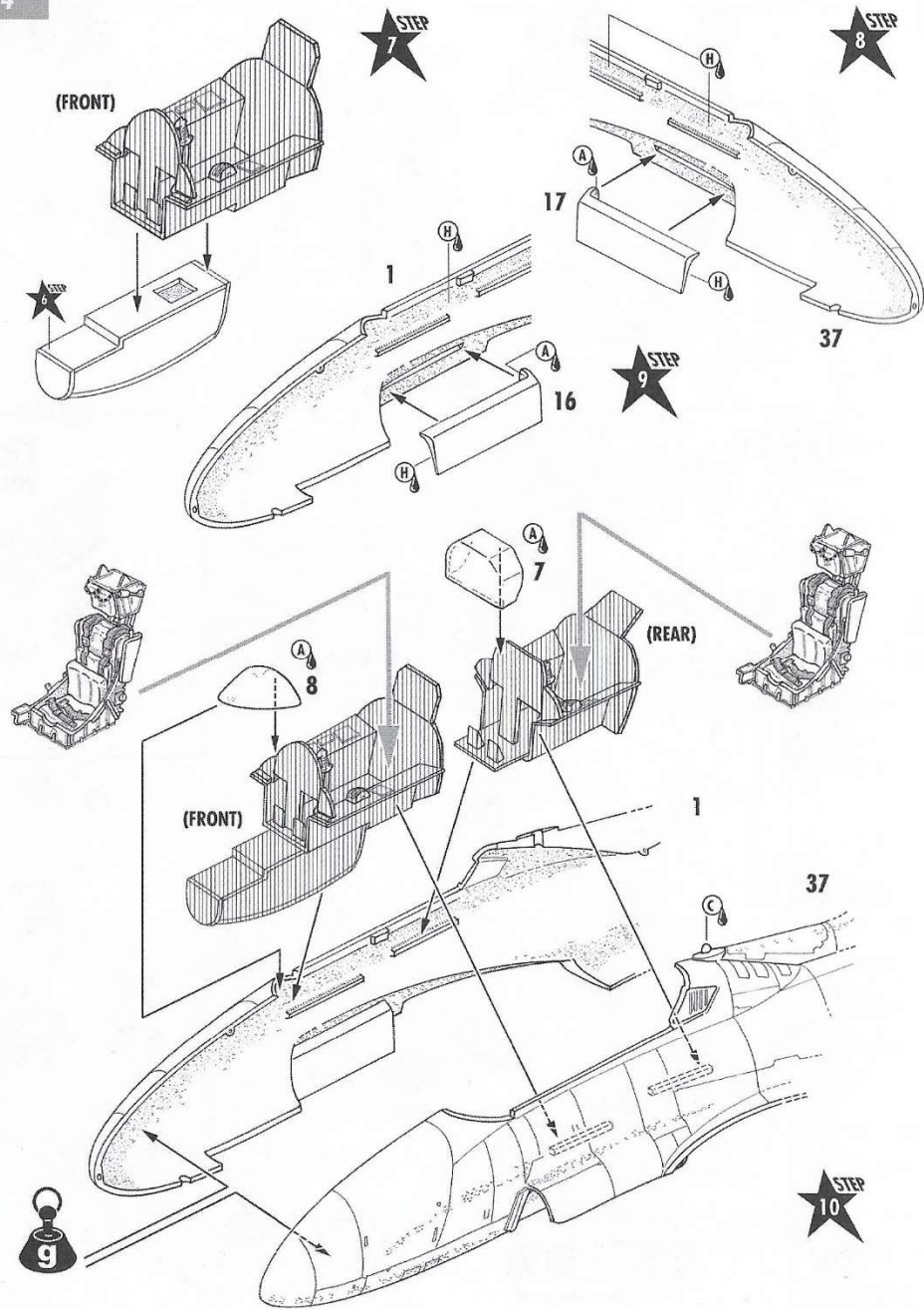


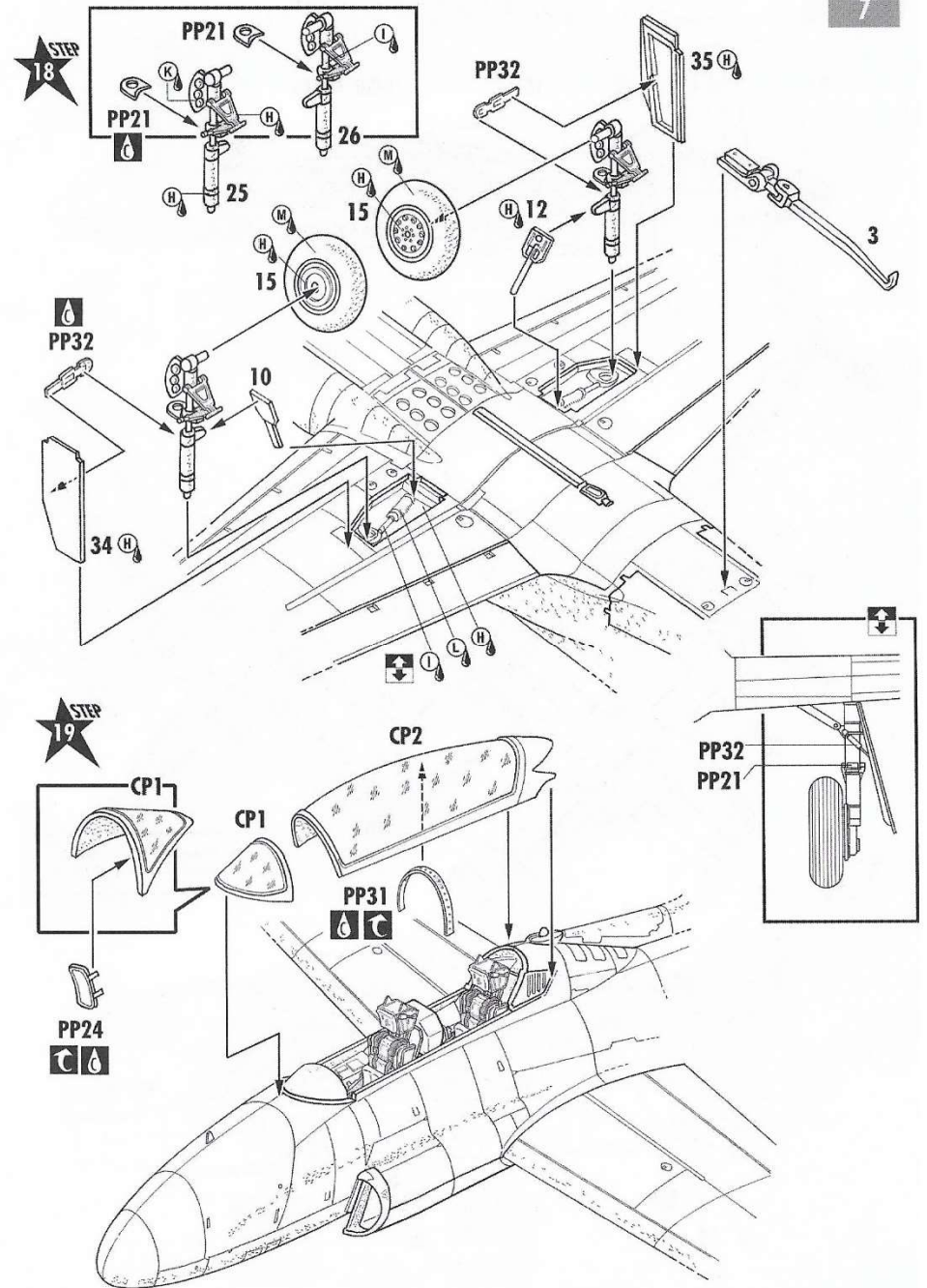
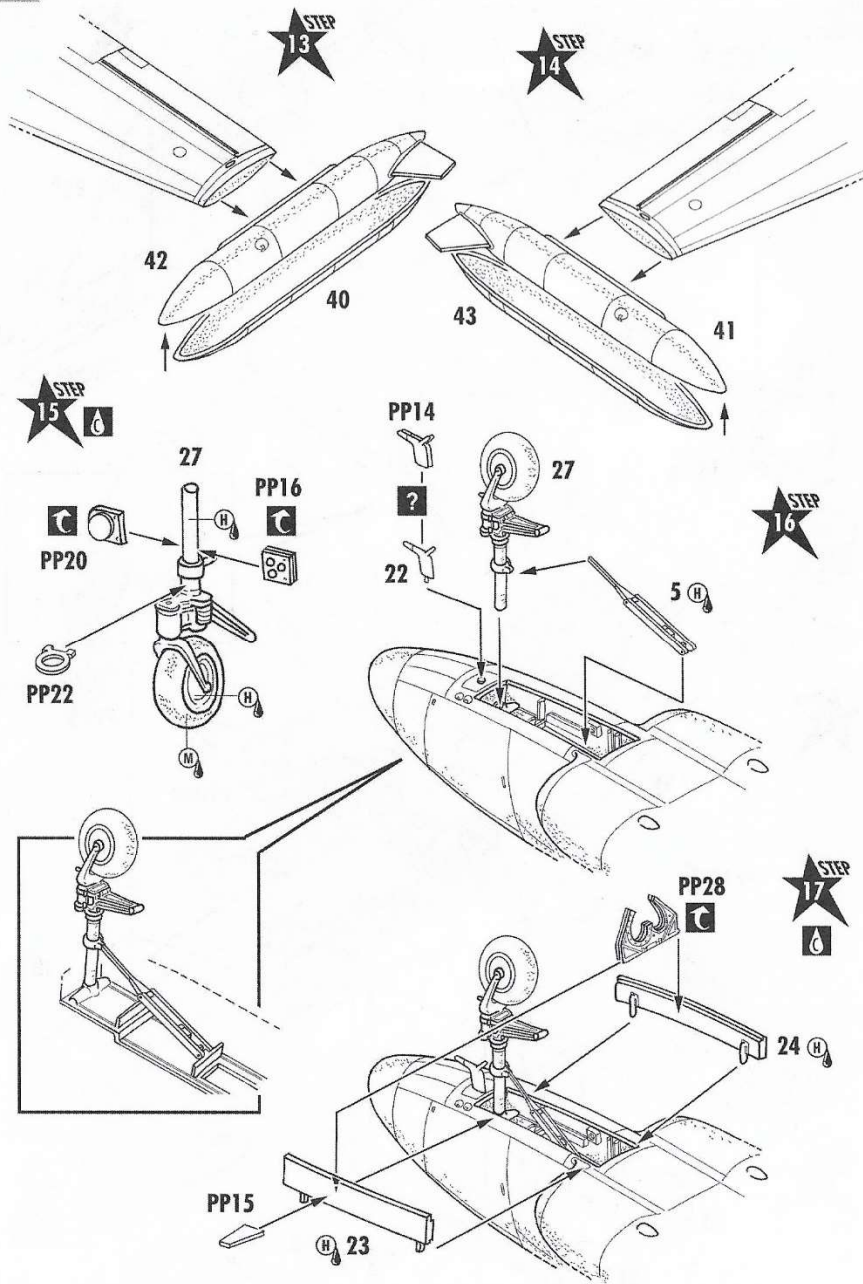
ODSTARVIT
REMOVE

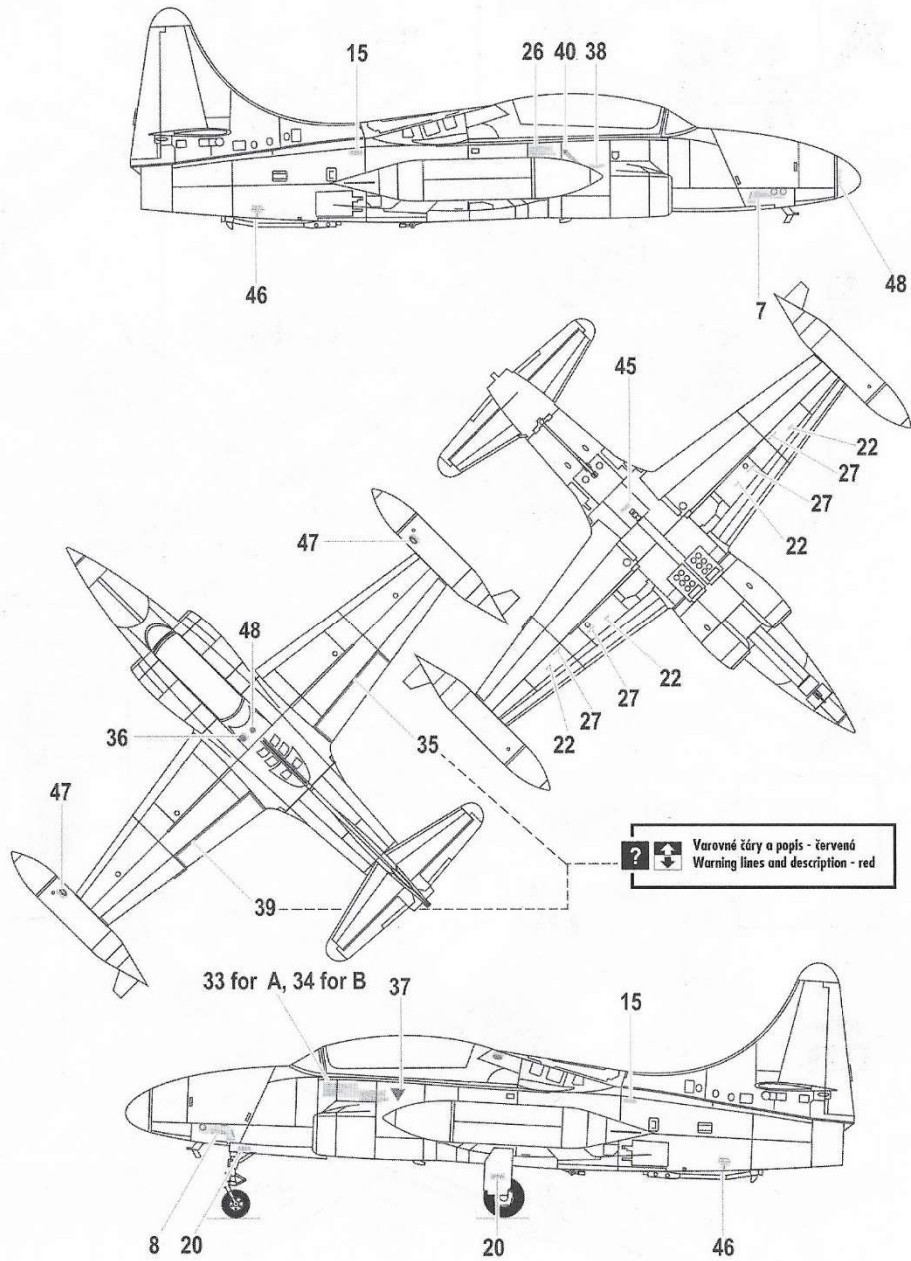


BARVA/COLOR	
A	ČERNÁ/BLACK
B	INTER. SV.ŠEDÁ LIGHT GREY
C	STŘÍBRNÁ/SILVER
D	HLINÍK/ALUMINIUM
E	ČERVENÁ/RED
F	ŽLUTÁ/YELLOW
G	ZELENÁ/GREEN
H	BÍLÁ/WHITE
I	CHROM/CHROME
J	HNĚDÁ/BROWN
K	KOV/GUN METAL
L	ŠEDÁ/GRAY
M	PNEU/TYRE BLACK









Lockheed T2V-1 SEASTAR

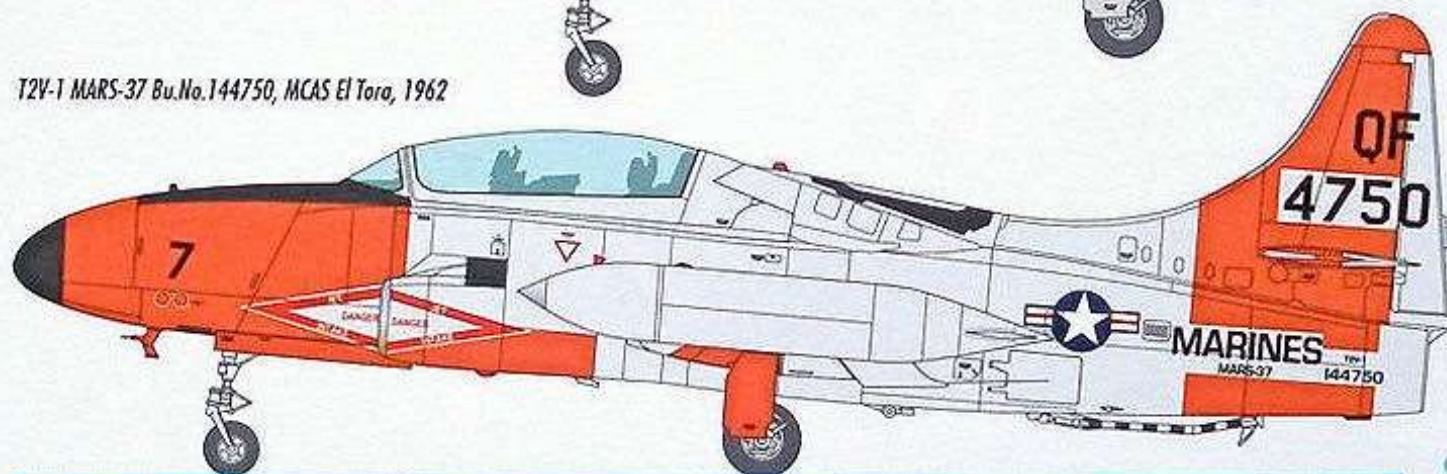


T2V-1 NAS Memphis Bu.No. 144176



T-1A Bu.No.144173, AFB Shaw, 1970

T2V-1 MARS-37 Bu.No.144750, MCAS El Toro, 1962



SW 72072 (scale 1/72)