

ITEM NO.01616

1:72 SCALE

RA-5C Vigilante

RA-5C 民团团员

READ BEFORE ASSEMBLY

- Study and understand these instructions thoroughly before beginning assembly. Make sure all parts are included by comparing them to those shown on pages 2 & 3 of these instructions.
- Remove parts from sprues as needed, and trim excess with a hobby knife. Be careful not to lose small parts.
- Remove photo-etch parts from sprue as needed using a hobby knife or photo etch cutter.
- Apply cement to photo etch parts as shown on instructions. Applying too much cement will restrict the operation of these

movable parts. Apply cement carefully! Removed photo etch parts can have sharp edges. Take care when handling these to avoid injury.

- Apply decals to necessary parts prior to assembly.
- Additional tools recommended(not included):Sprue cutter, Long nose pliers, hobby knife, file, tweezers, pin vise, scissors, cement, sandpaper, soft cloth, glue and paint.
- Keep all parts out of reach of children, as they pose a choking hazard. Discard all unnecessary bags and sprues when model is completed to avoid accidental injury.

装配之前仔细阅读

- 小心用模型锉刀锉平所有零件表面的注射浇口。
- 小心用刀片切下蚀刻片零件，不要遗失小零件。
- 用强力快干胶水粘合蚀刻片零件和金属轴。过量的快干胶水使用可能导致可动零件会粘住，小心涂胶。
- 取蚀刻片时应特别注意安全，防止利边划伤手指。
- 某些零件表面需贴水上贴纸，请选择在装配的同时进行。
- 推荐模型工具(自备)：胶水，水口剪刀，长咀钳，刀片，锉刀，镊子钳，钻，剪刀，瞬间快干胶。
- 软布同砂纸同时也应该是必备工具。
- 请使用塑料胶水和油漆，模型内不含。
- 谨防小孩吸吮塑料零件，或者将塑料袋套在头上，制作时应将套材远离小孩接触。

水贴纸的使用：

1. 从水贴纸上剪下印花；
2. 将印花放入温水中浸10秒，然后放在干净布上。
3. 拿着印花纸板将印花移到模型上；
4. 手指蘸水将印花移到适当的位置；
5. 用软布轻压印花直至水干，气泡消失。

DECAL APPLICATION

1. Cut off decal from sheet.
2. Dip the decal in tepid water 40°C for about 10 sec. and place on a clean cloth.
3. Hold the backing sheet edge and slide decal onto the model.
4. Move decal into position by wetting decal with finger.
5. Press decal gently down with a soft cloth until excess water and air bubbles are gone.



cyanoacrylate glue
使用强力胶



weight
配重



make hole
钻孔



cut / remove
切除



option
选择



no cement
不涂胶水



decal
贴纸



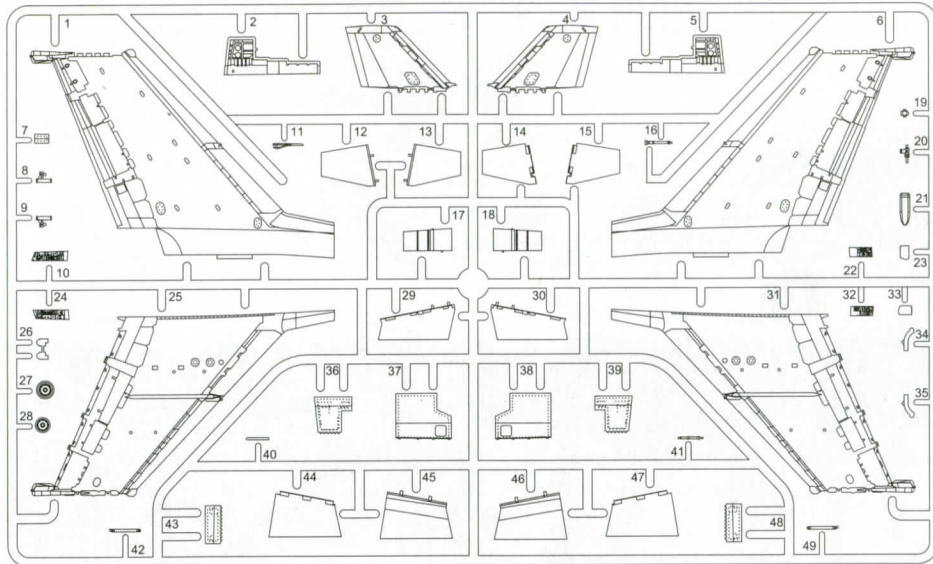
bend
弯曲



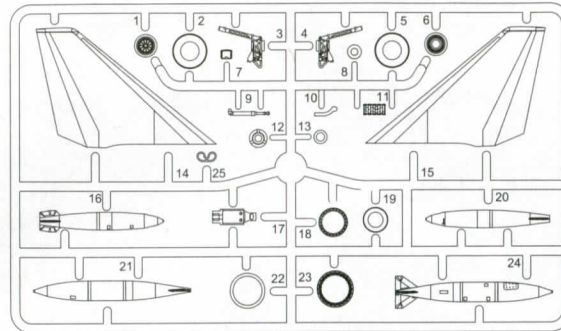
file / sand
锉平

部品图 Parts

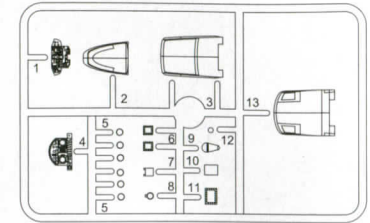
B×1



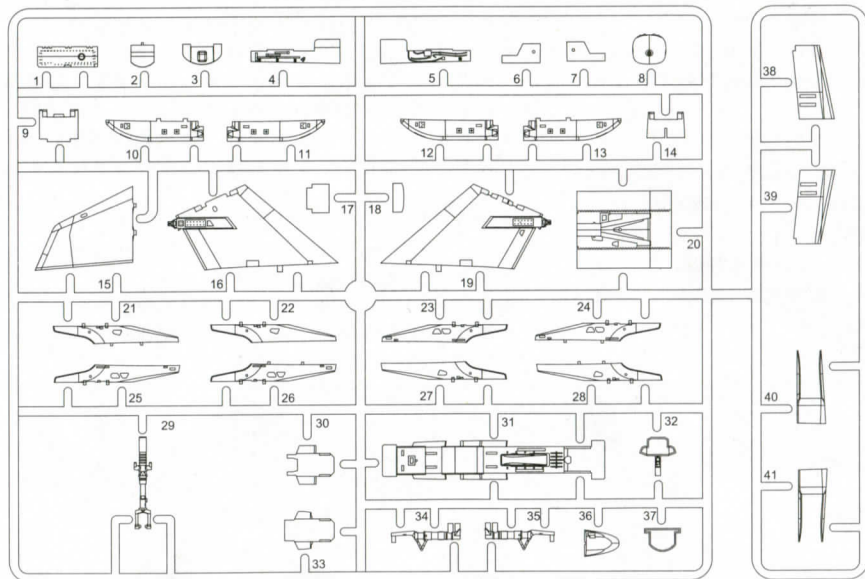
D×2



F×1



C×1



左机身
Left fuselage



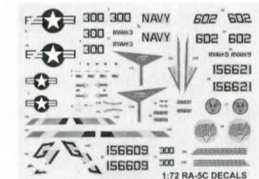
右机身
Right fuselage



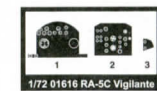
吊舱
Cabin



尾部
Tail



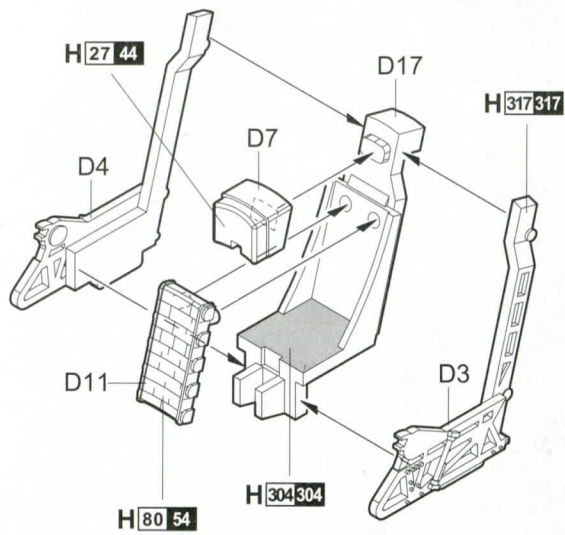
水贴纸
Decal



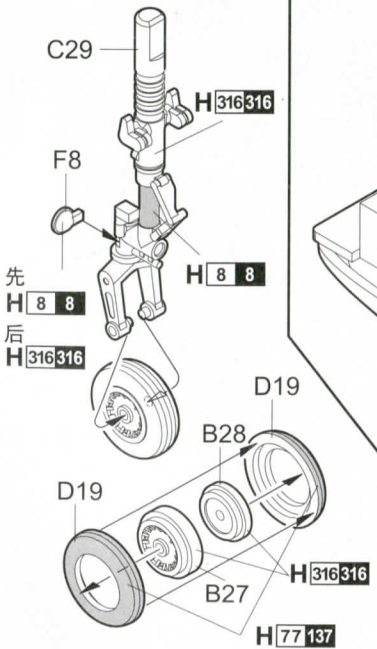
菲林片
Film

1 飞行员座椅的组装
Pilot seat assembly

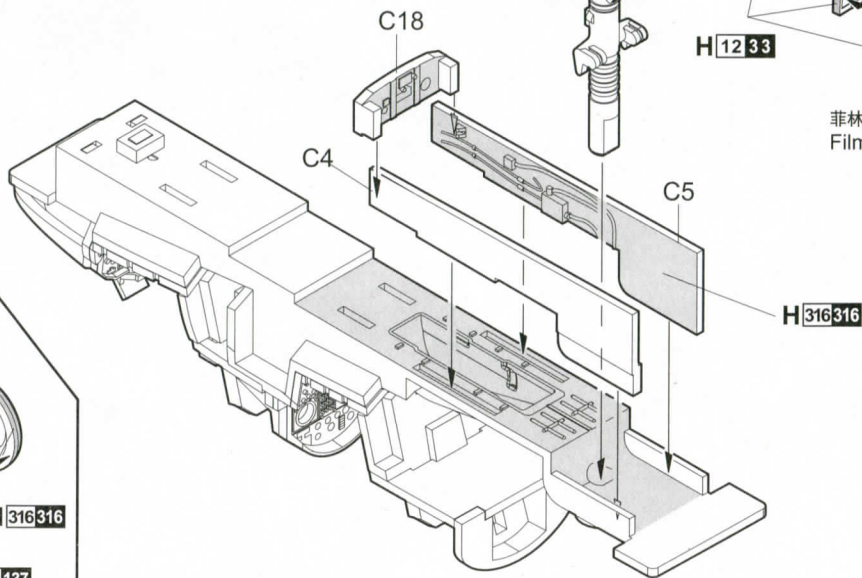
制作两组
Make two



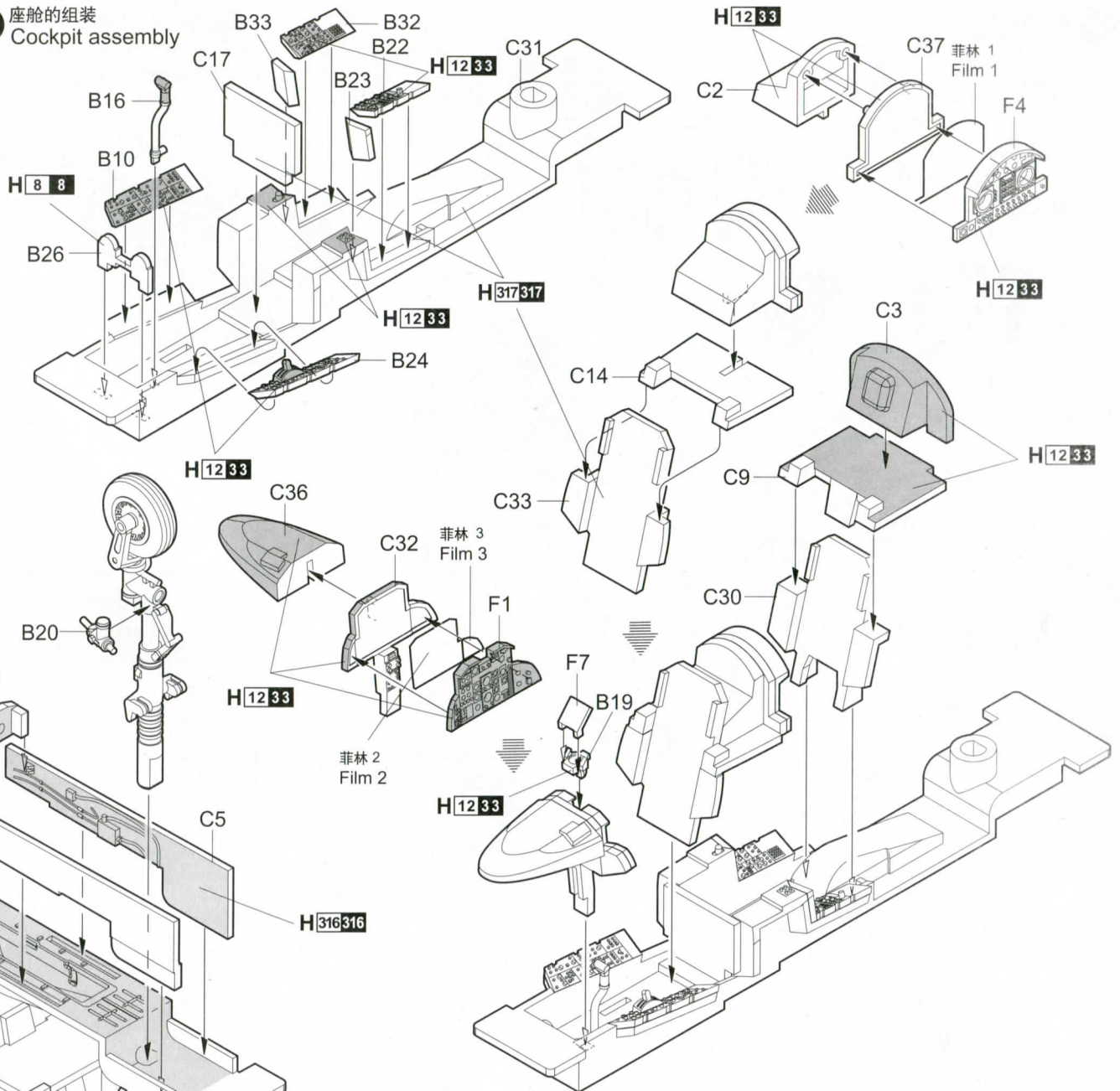
2 前起落架
Nose undercarriage



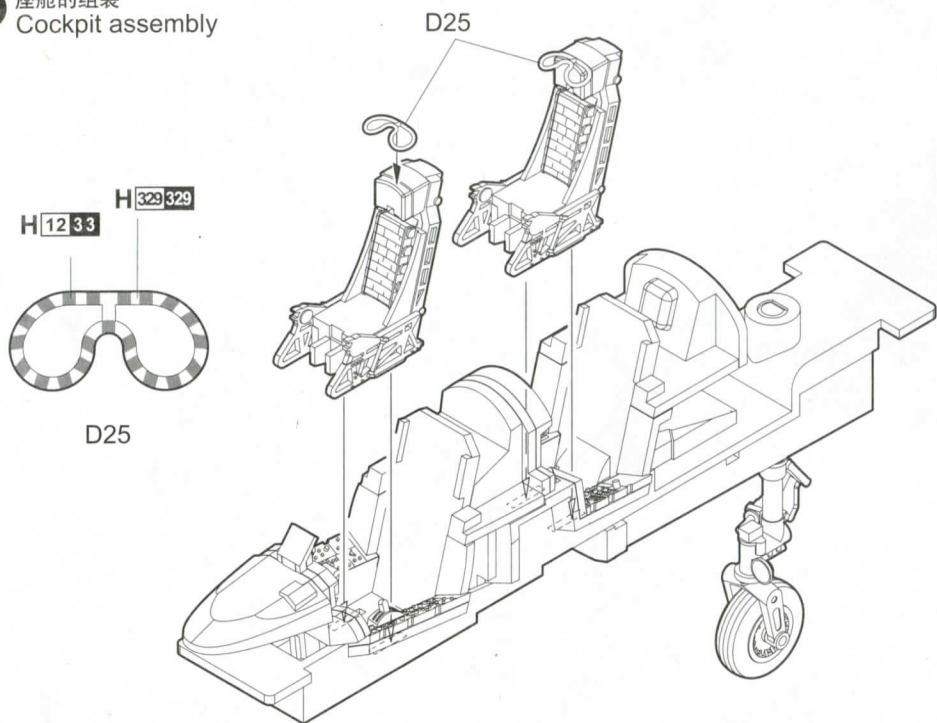
! 前起落架必须在此步安装
Front undercarriage must be installed at this step



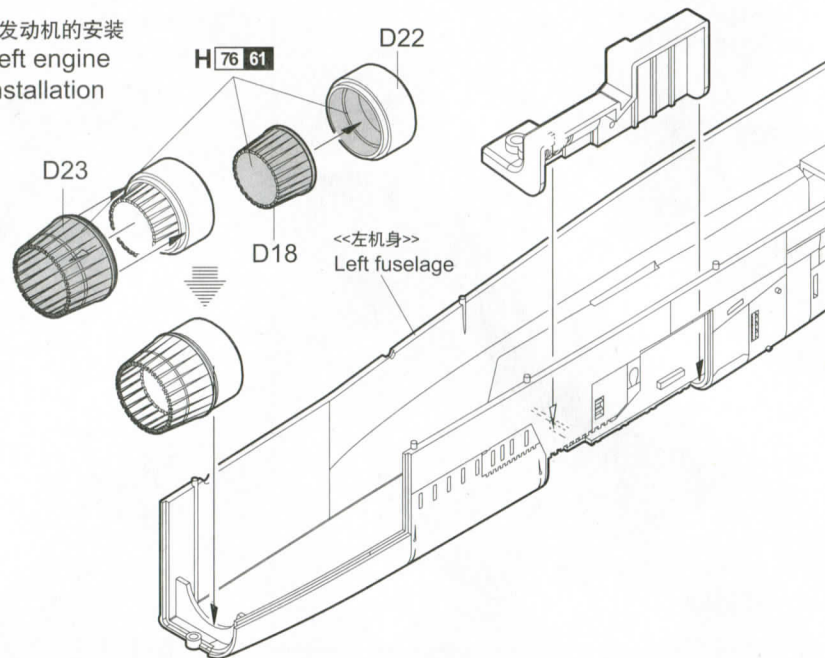
3 座舱的组装
Cockpit assembly



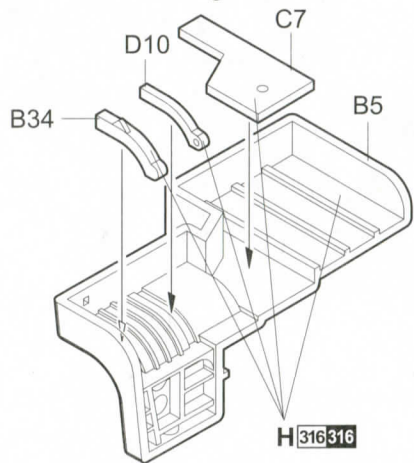
4 座舱的组装
Cockpit assembly



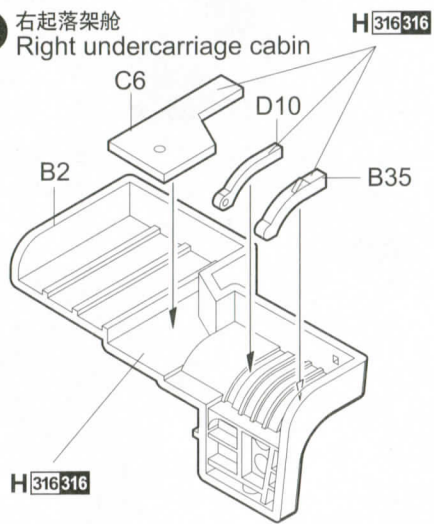
7 左发动机的安装
Left engine installation



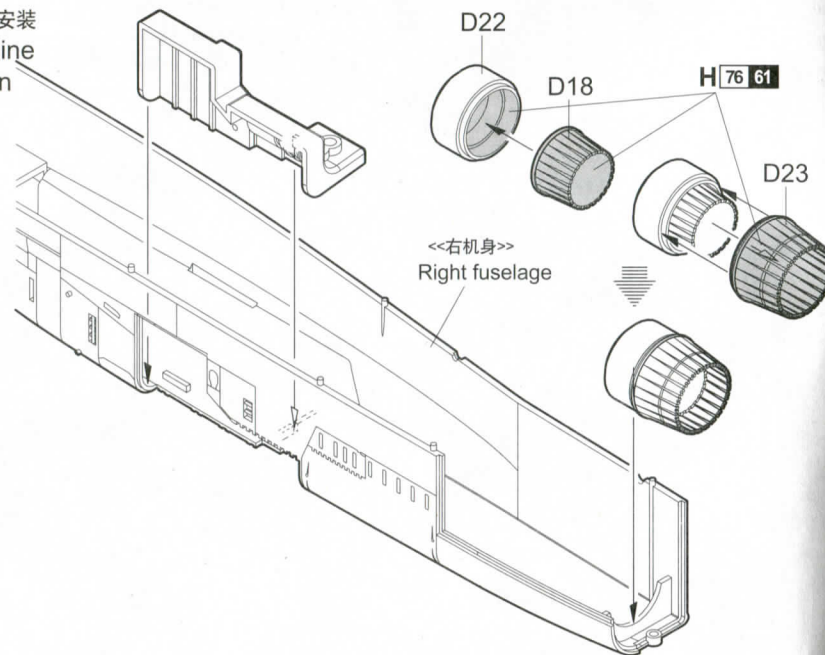
5 左起落架舱
Left undercarriage cabin



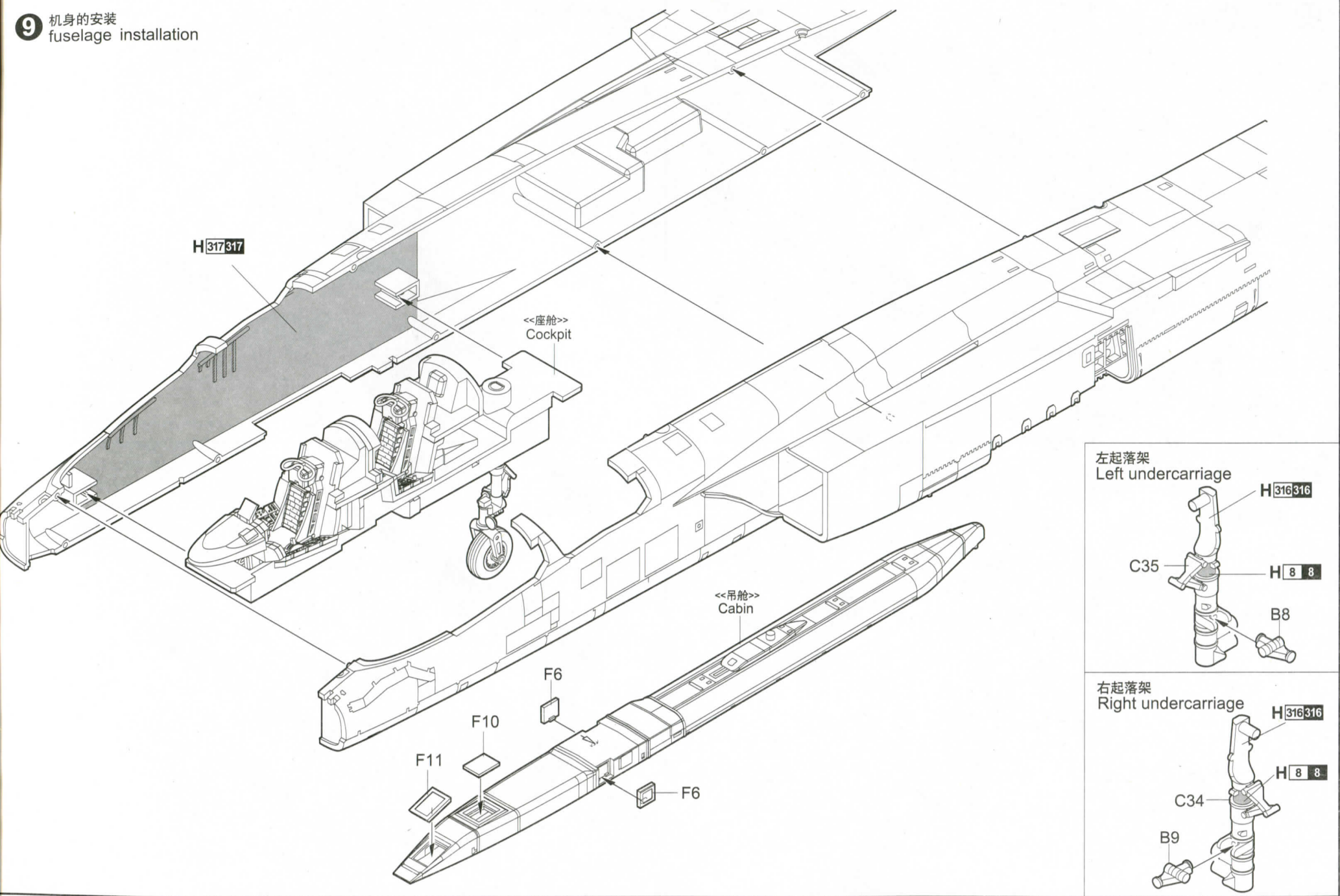
6 右起落架舱
Right undercarriage cabin



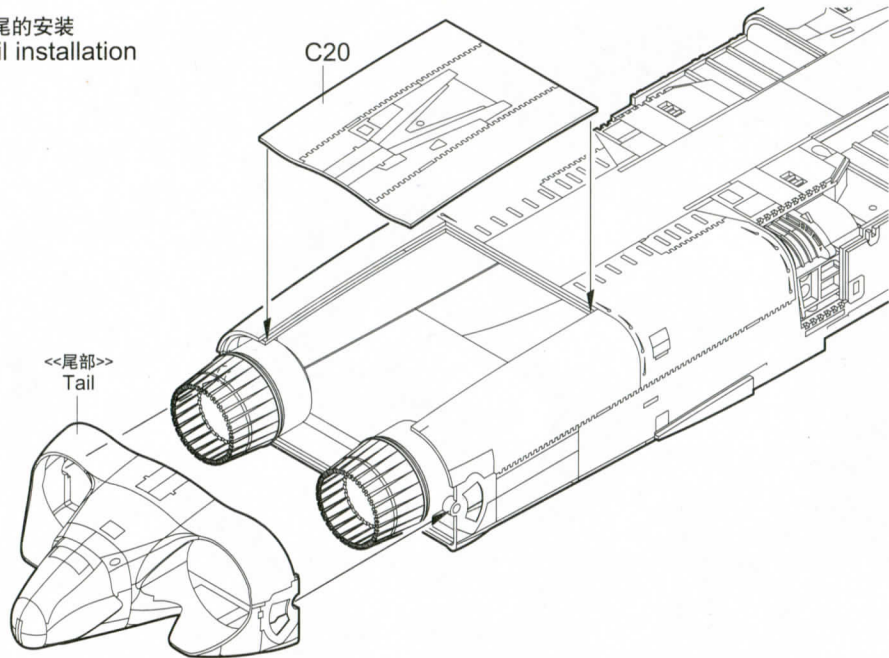
8 右发动机的安装
Right engine installation



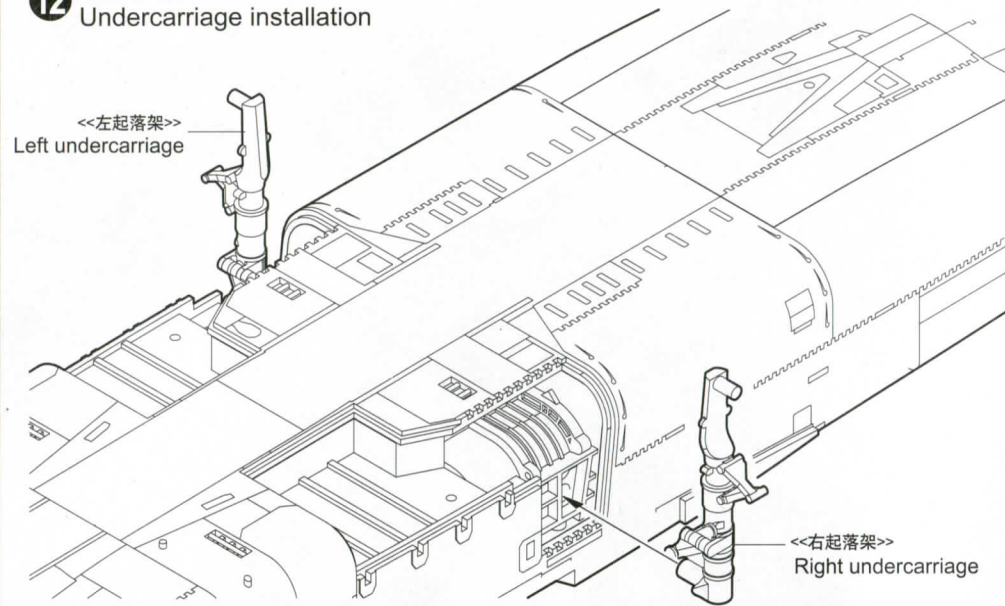
9 机身的安装
fuselage installation



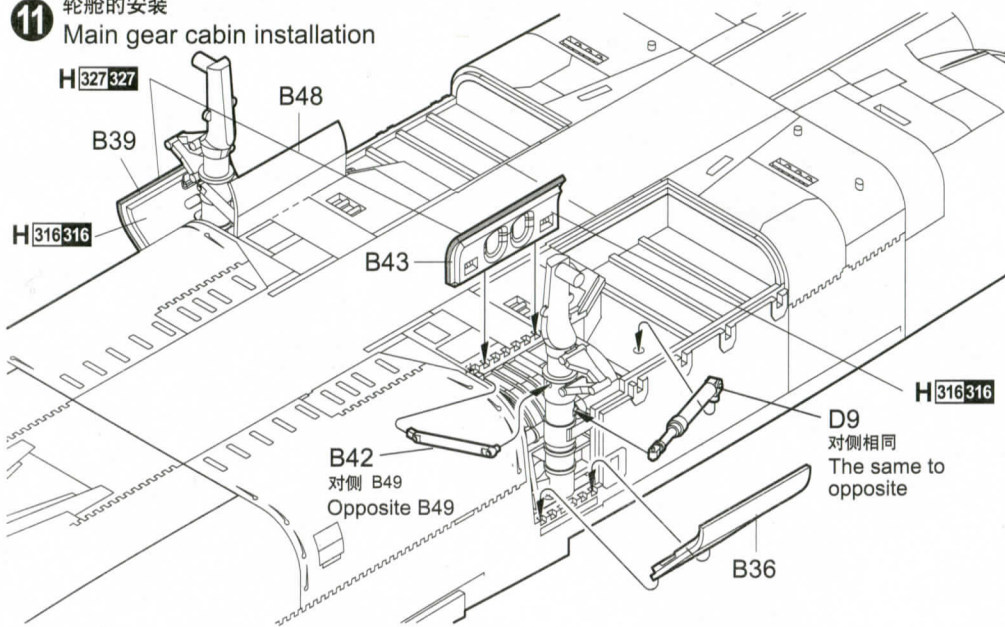
10 机尾的安装
Tail installation



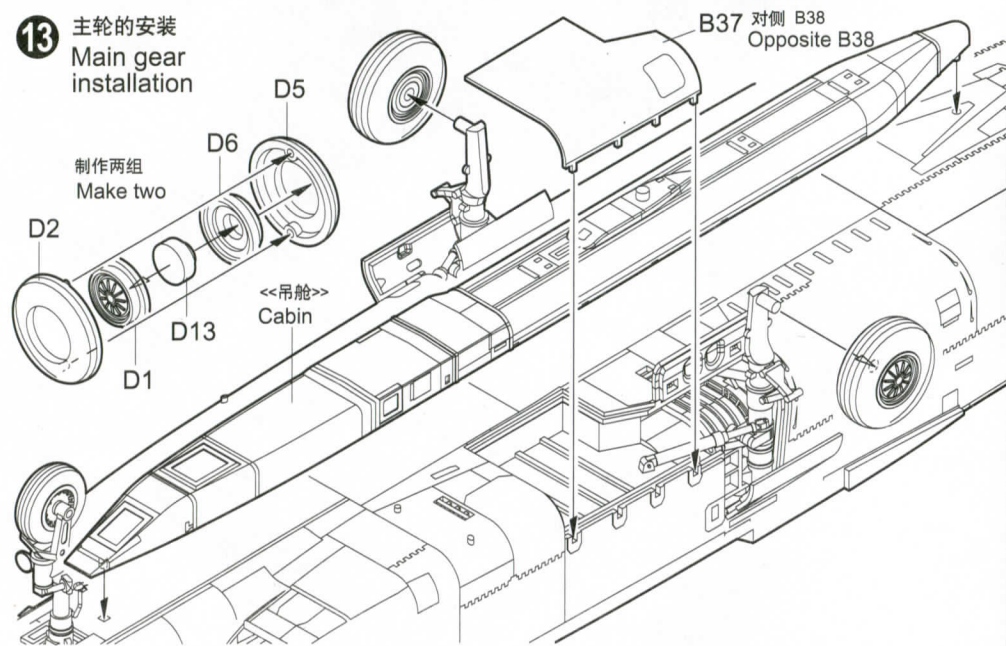
12 起落架的安装
Undercarriage installation



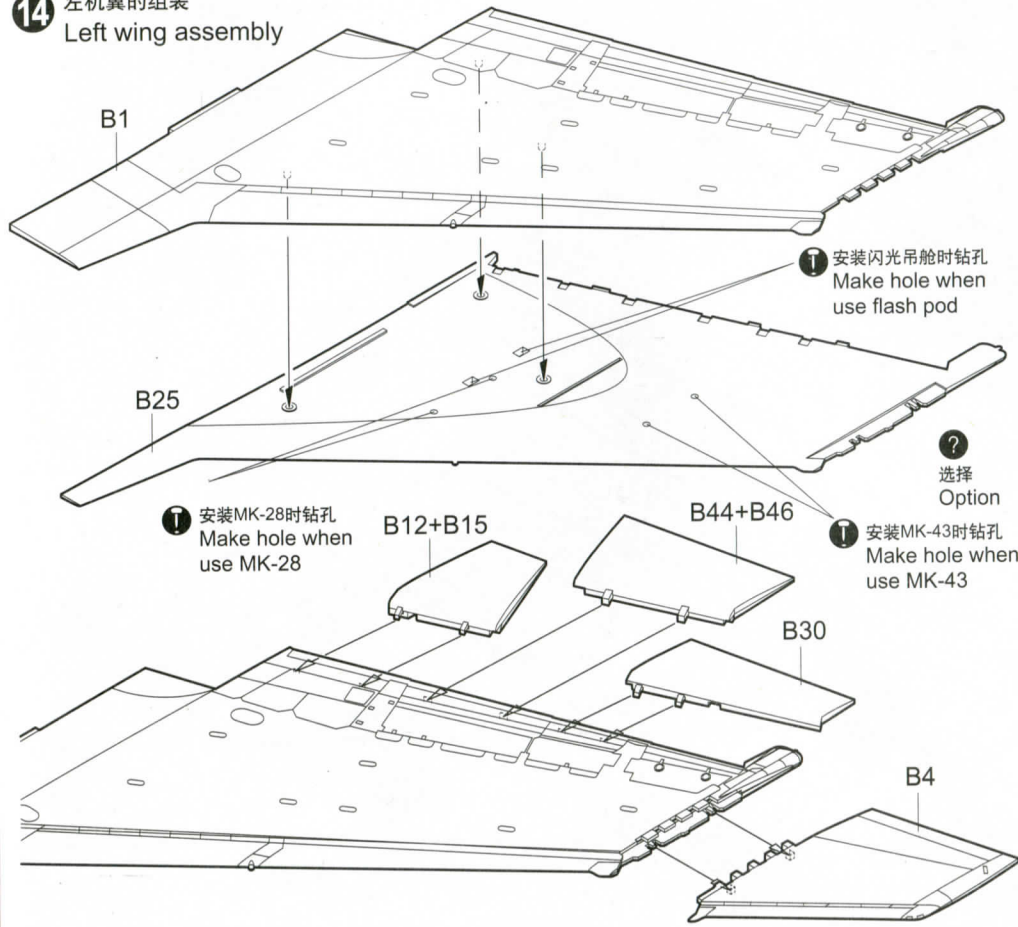
11 轮舱的安装
Main gear cabin installation



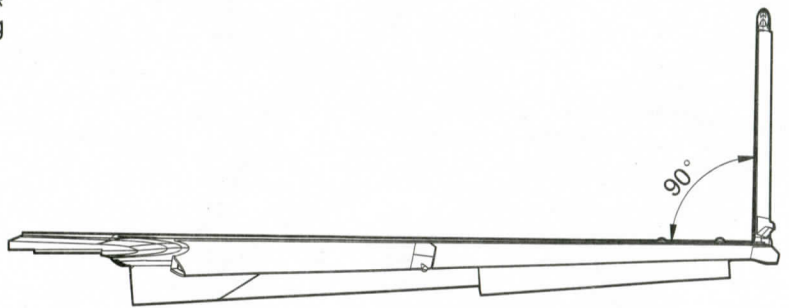
13 主轮的安装
Main gear installation



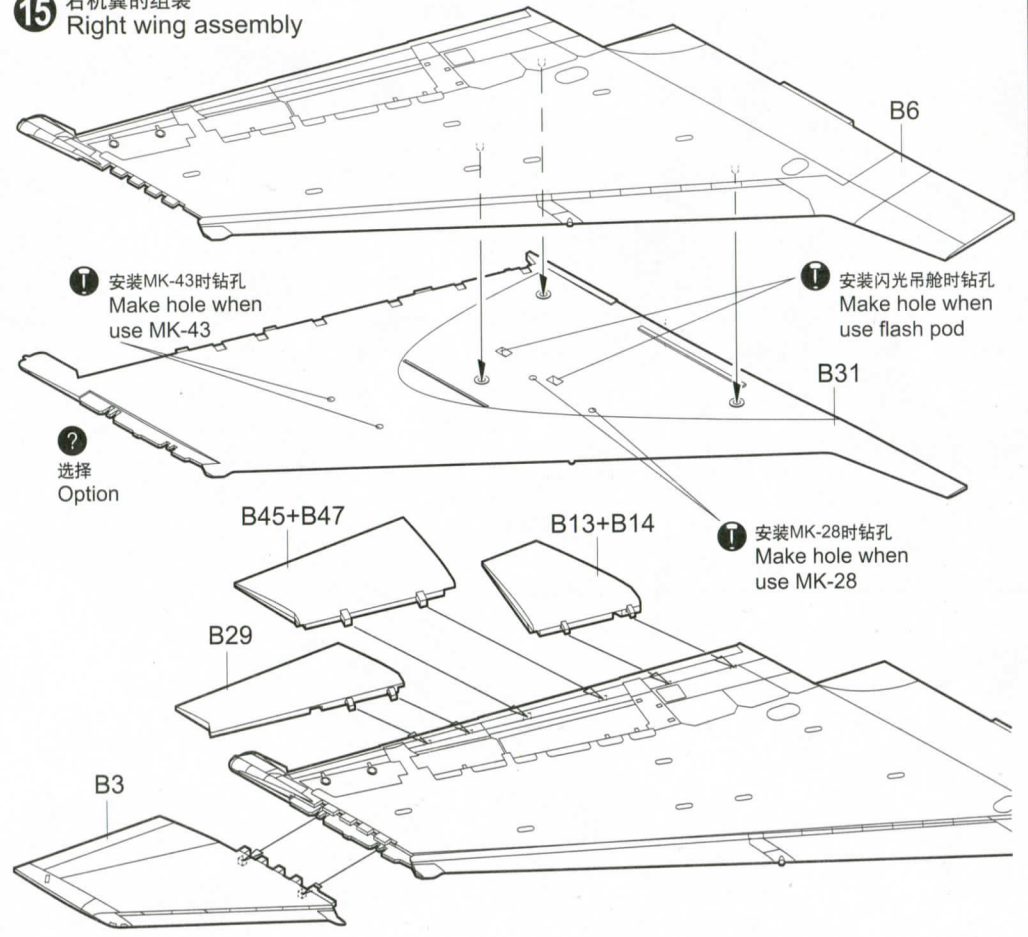
14 左机翼的组装
Left wing assembly



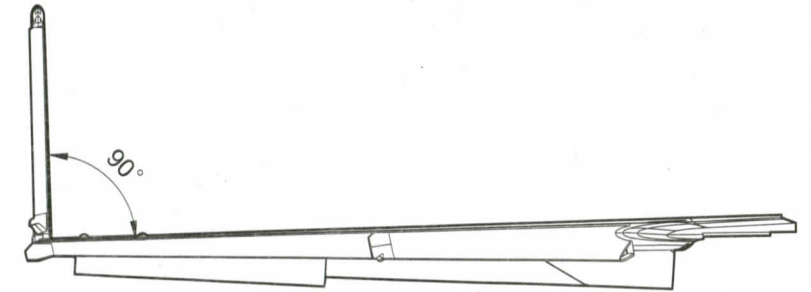
折叠状态
Folding

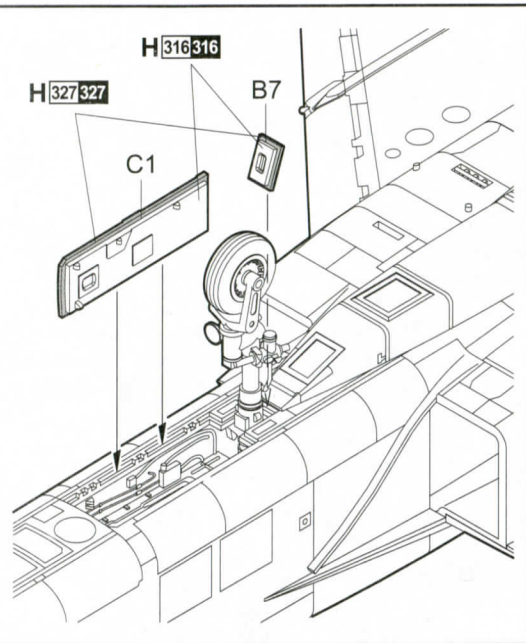


15 右机翼的组装
Right wing assembly

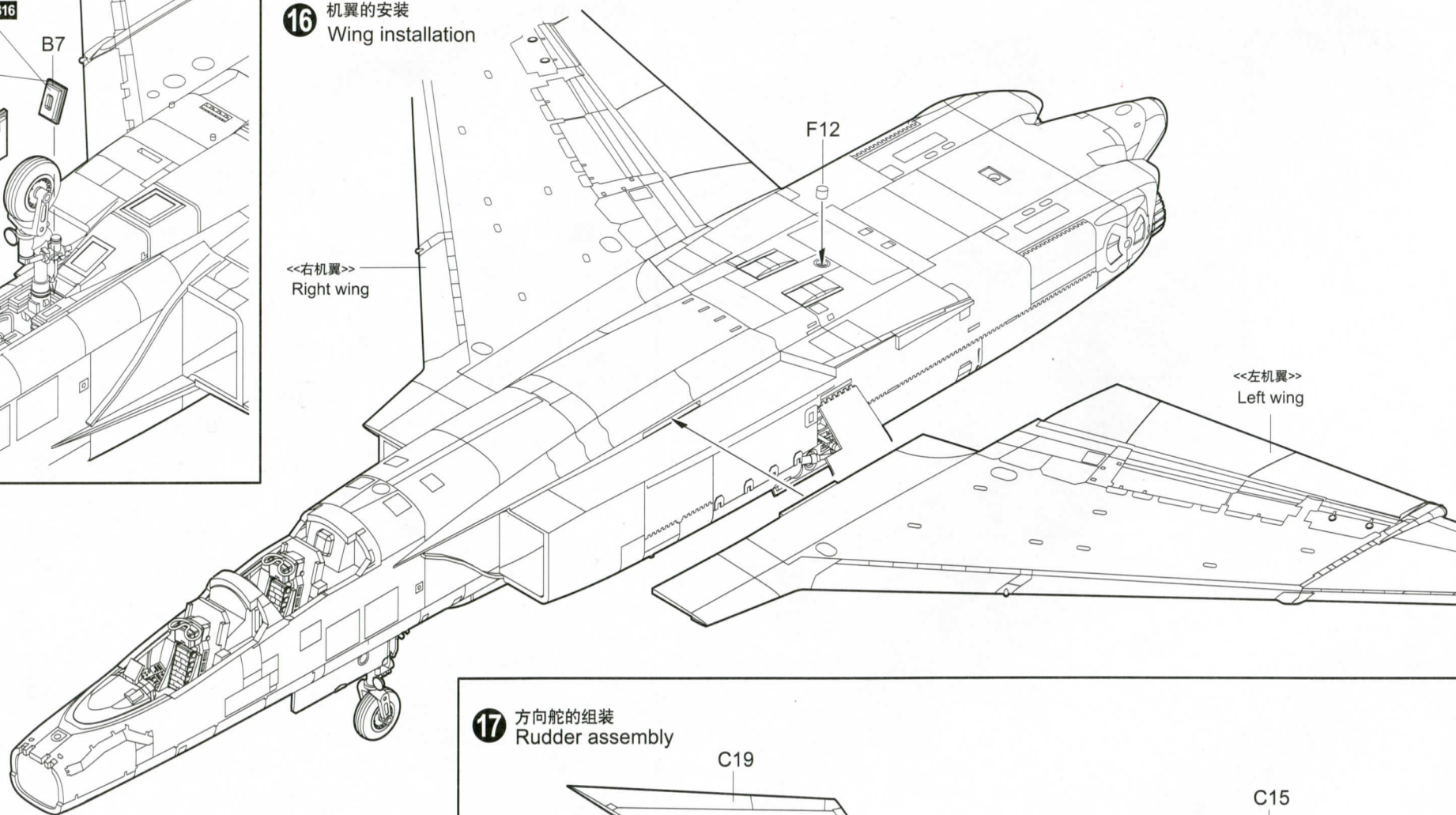


折叠状态
Folding

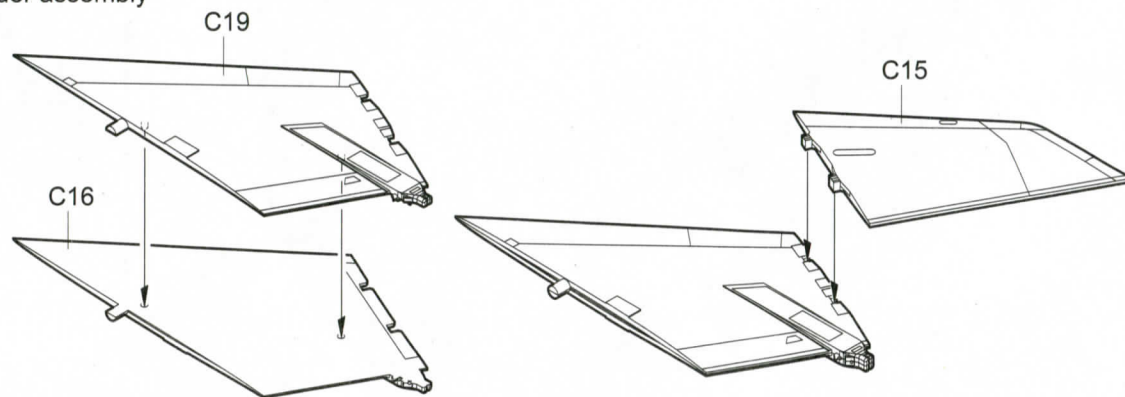




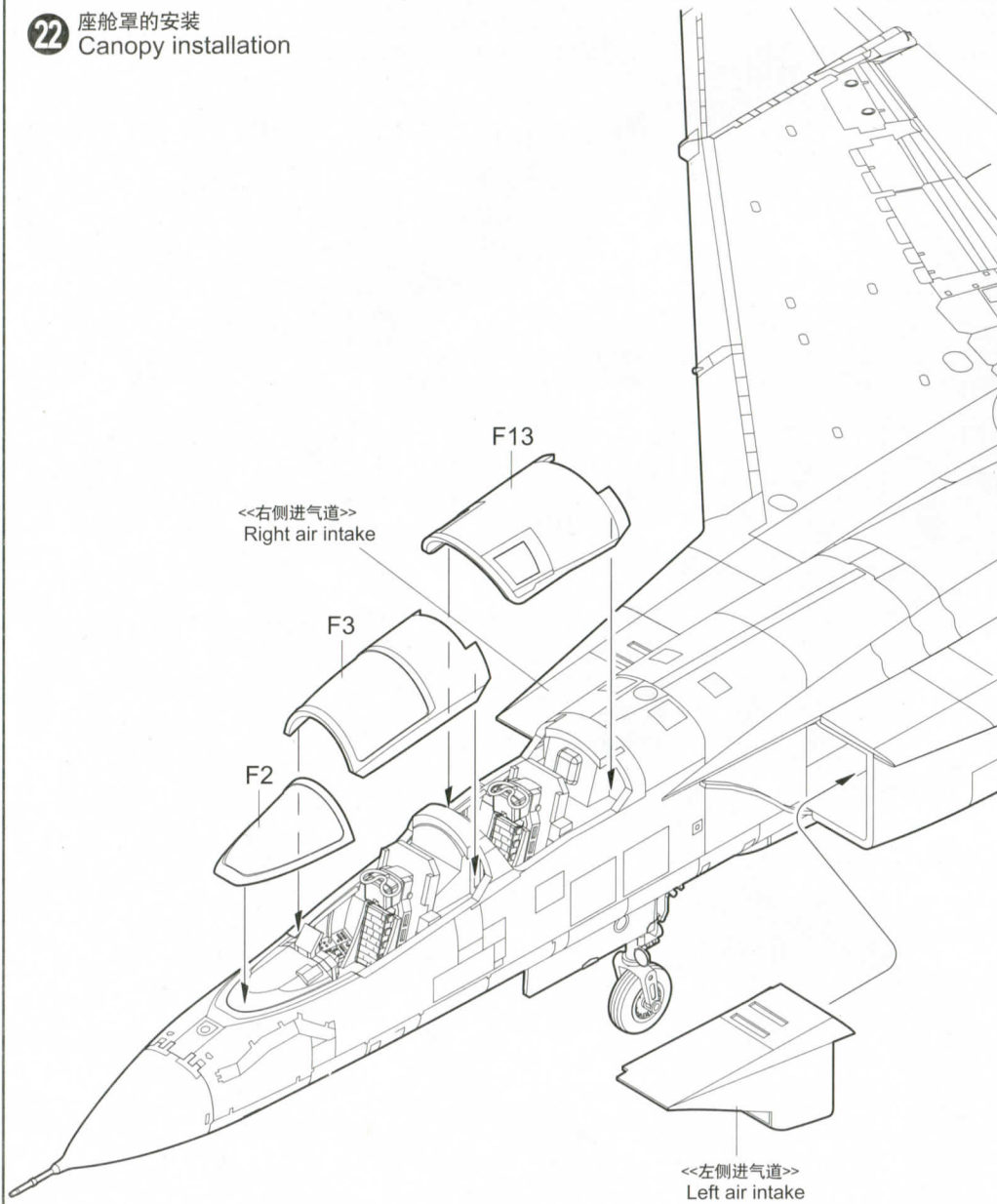
16 机翼的安装
Wing installation



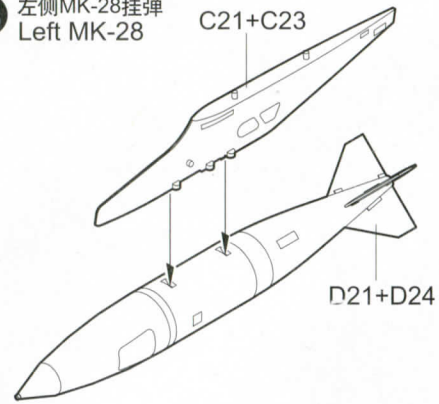
17 方向舵的组装
Rudder assembly



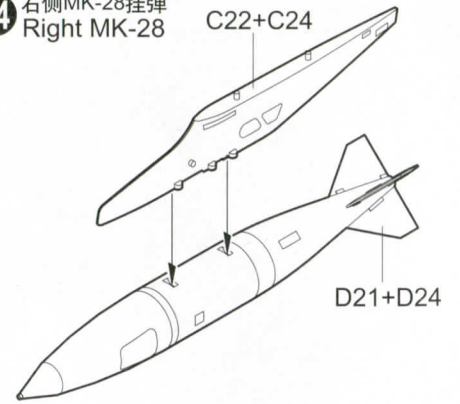
22 座舱罩的安装
Canopy installation



23 左侧MK-28挂弹
Left MK-28



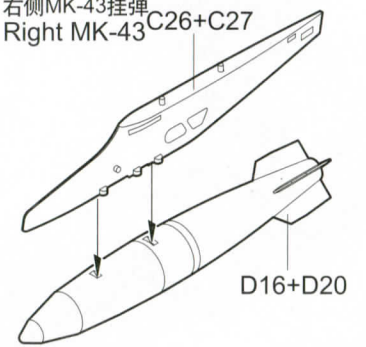
24 右侧MK-28挂弹
Right MK-28



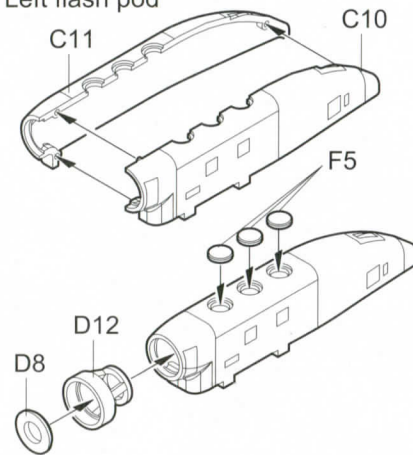
25 左侧MK-43挂弹
Left MK-43



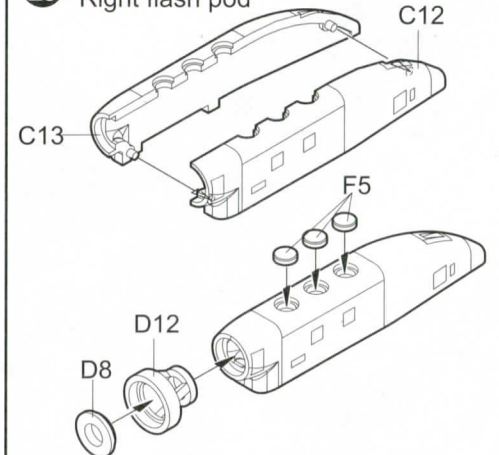
26 右侧MK-43挂弹
Right MK-43



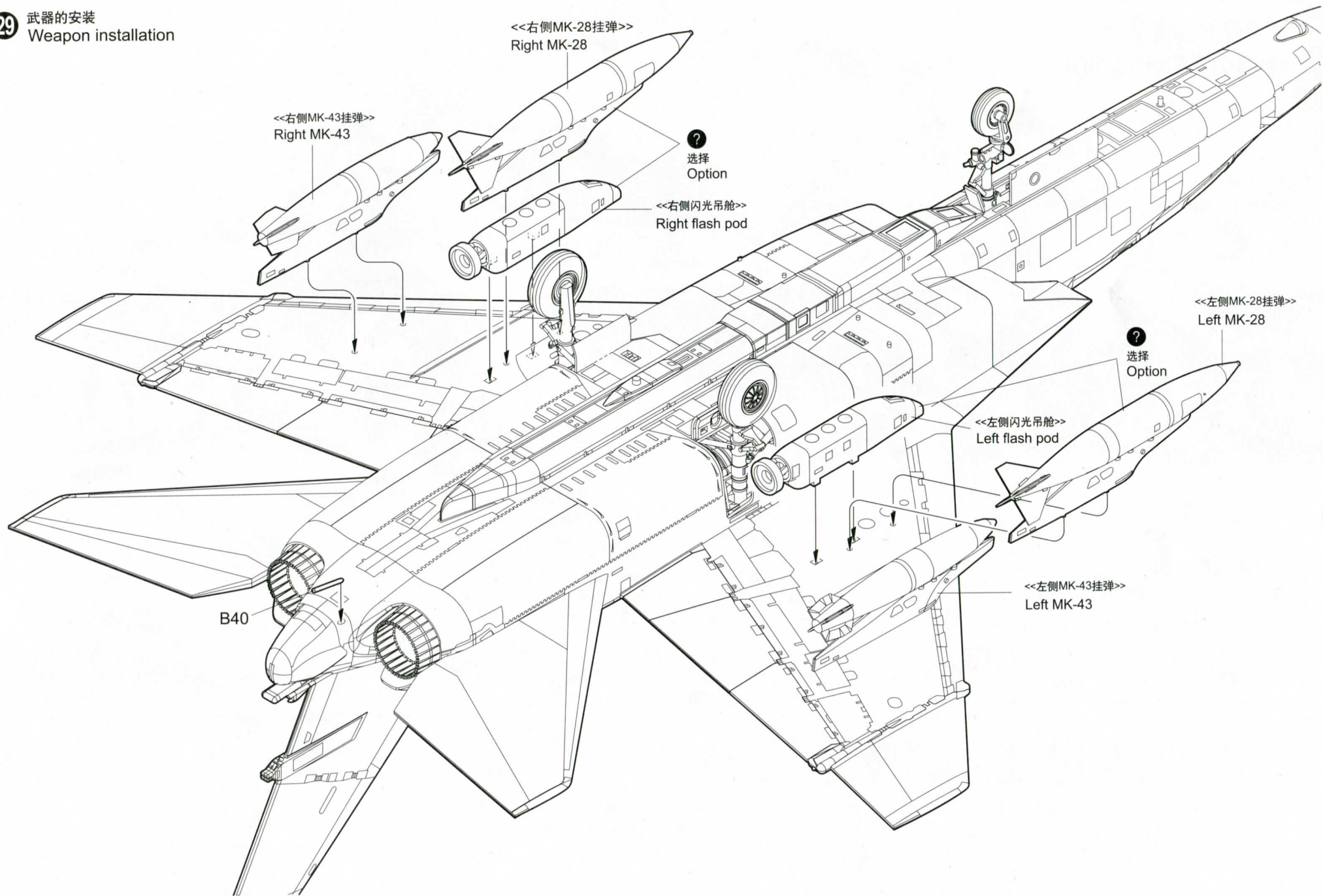
27 左侧闪光吊舱
Left flash pod



28 右侧闪光吊舱
Right flash pod



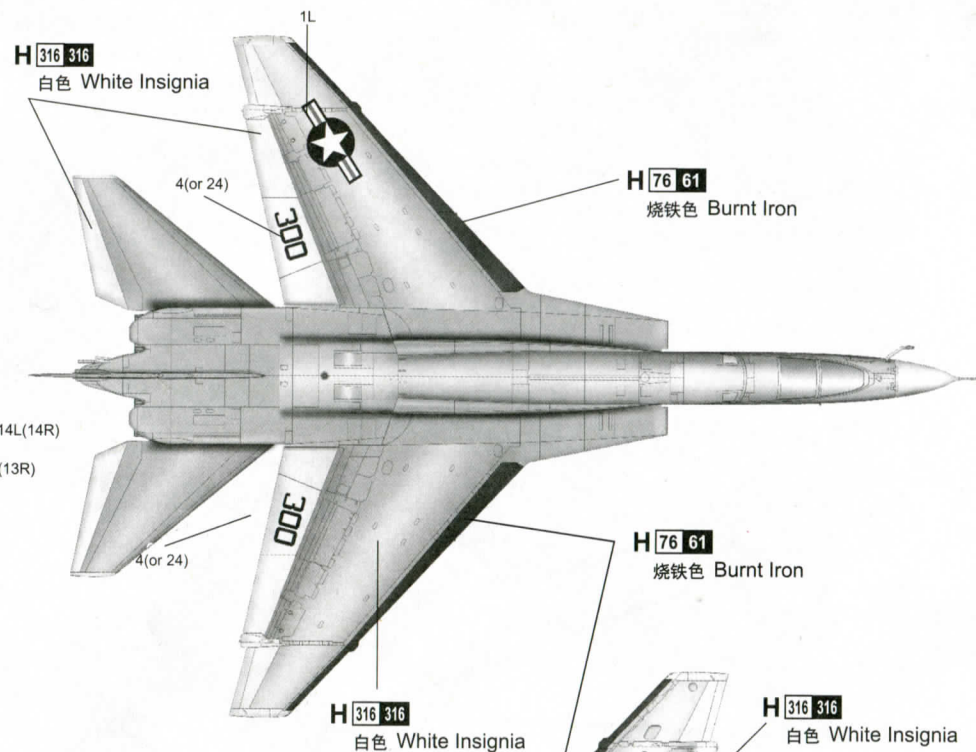
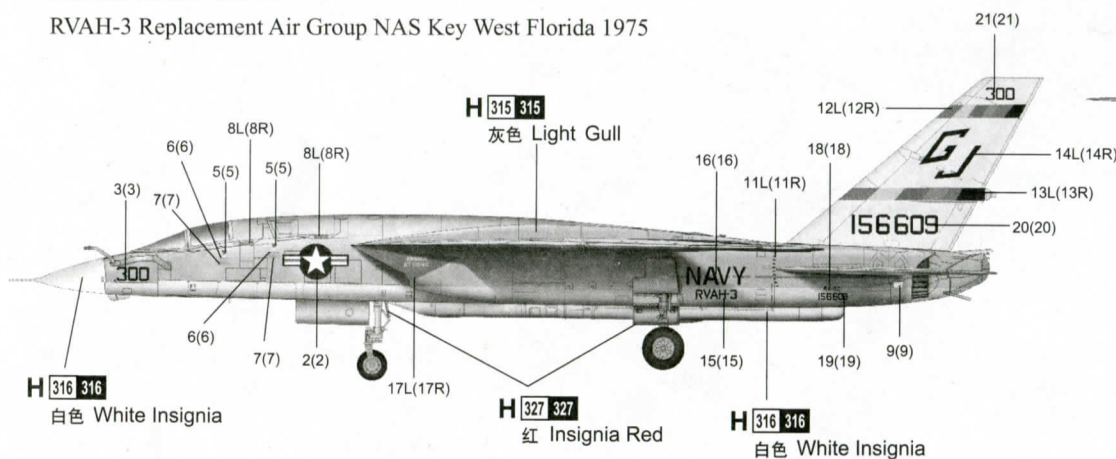
29 武器的安装
Weapon installation



涂装同标贴指示 Painting & Marking guide

SEA DRAGONS

RVAH-3 Replacement Air Group NAS Key West Florida 1975



HOOT OWLS

RVAH-9 Wearing the GM Tail Code Denoting Shore Assignment

