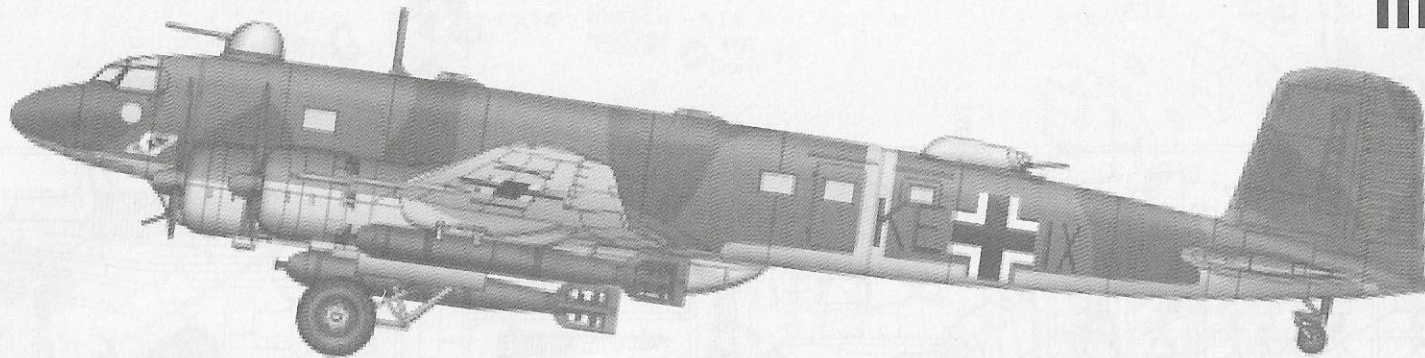


1/72 scale

ITEM NO.:01637



# FW200C-3 Condor

德国FW200C-3 “秃鹰”

### READ BEFORE ASSEMBLY:

- This kit is not recommended for inexperienced modelers or for children under 14 years of age
- Study and understand these instructions thoroughly before beginning assembly
- When needed, remove photo-etch parts carefully using a modeling knife or photo etch sprue cutter, being careful not to damage or lose small parts.
- Take extra care in handling photo etch parts in order to avoid injury
- Apply instant cement sparingly to photo etch parts where instructed

- Tools recommended(not included in kit):Plastic and instant cements,sprue cutters,long nose pliers,,modeling knife, small files, tweezers, pin vise & scissors. Soft cloth and sandpaper will also assist in construction
- Glue and paint are not included in the kit. Use plastic cement and hobby paints only. Color guide for purchasing paint is included in the kit.
- Keep out of reach of small children. They must not be allowed to ingest small parts or handle plastic bags in any way.

### 装配之前仔细阅读

- 小心用模型锉刀锉平所有零件表面的注射浇口。
- 小心用刀片切下蚀刻片零件，不要遗失小零件。
- 用强力快干胶水粘合蚀刻片零件和金属轴。过量的快干胶水使用可能导致可动零件会粘住，小心涂胶。
- 取蚀刻片时应特别注意安全，防止利边划伤手指。
- 某些零件表面需贴水上贴纸，请选择在装配的同时进行。
- 推荐模型工具(自备)：胶水，水口剪刀，长咀钳，刀片，锉刀，镊子钳，钻，剪刀，瞬间快干胶。
- 软布同砂纸同时也应该是必备工具。
- 请使用塑料胶水和油漆，模型内不含。
- 谨防小孩吮吸塑料零件，或者将塑料袋套在头上，制作时应将套材远离小孩接触。
- 本产品不适合14岁以下没有经验的模型爱好者。

### 水贴纸的使用:

1. 从水贴纸上剪下印花;
2. 将印花放入温水中浸10秒，然后放在干净布上。
3. 拿着印花纸板将印花移到模型上;
4. 手指蘸水将印花移到适当的位置;
5. 用软布轻压印花直至水干，气泡消失。

### DECAL APPLICATION:

1. Cut decals from sheet as needed
2. Dip the decal in warm water for about 10 seconds and then place on soft clean cloth.
3. Hold the decal backing sheet edge and gently slide the decal onto the model in its proper position.

4. While still wet, decal can be adjusted for better fit on model by dampening it gently with your finger.
5. When placed in the proper position, gently press decal down with a soft cloth until excess water and air bubbles are gone.
6. Allow decal to dry completely before handling model



使用强力胶

Cyanoacrylate glue



配重

Weight



钻孔

Make hole



切除

Cut / Remove



贴纸

Decal



锉平

File / Sand



选择

Option



不涂胶水

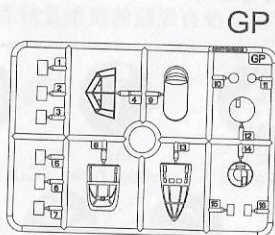
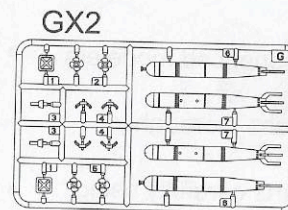
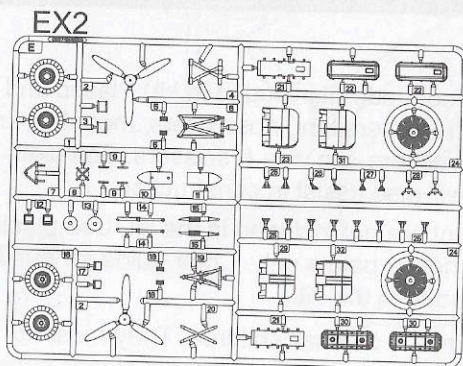
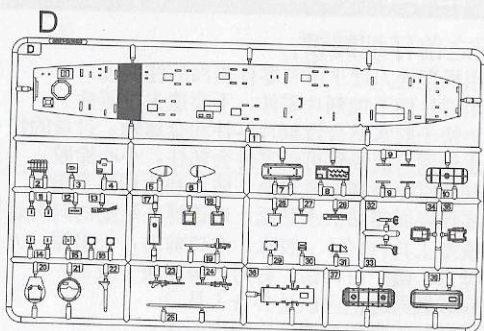
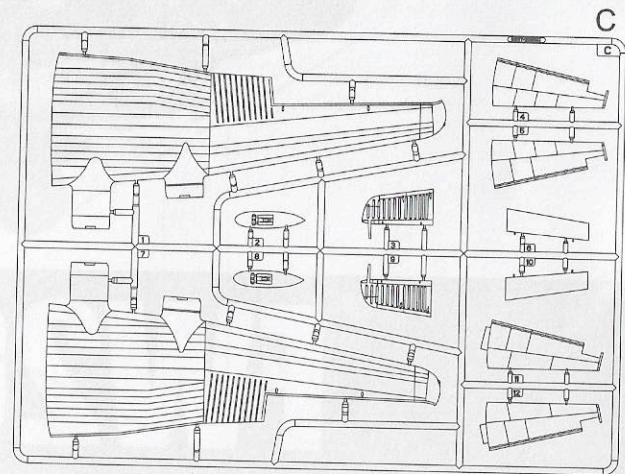
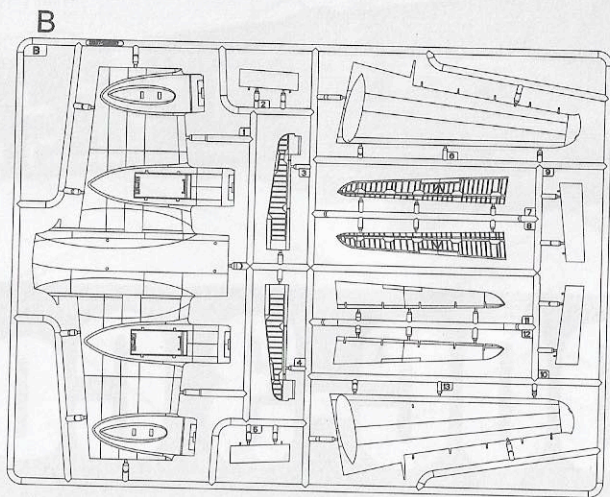
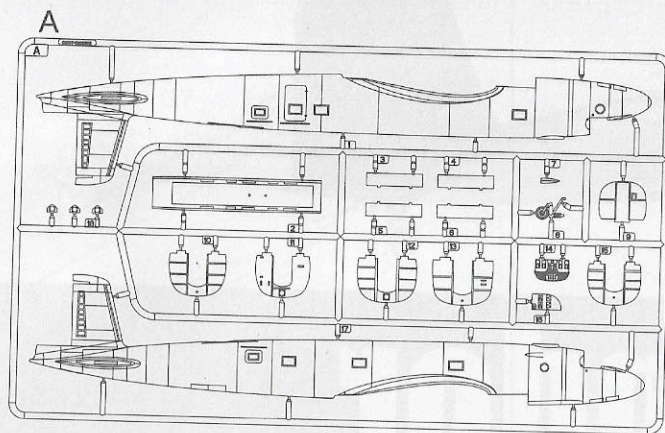
No cement



弯曲

Bend

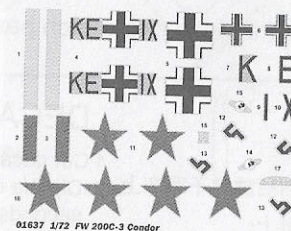
# 部品图 Parts



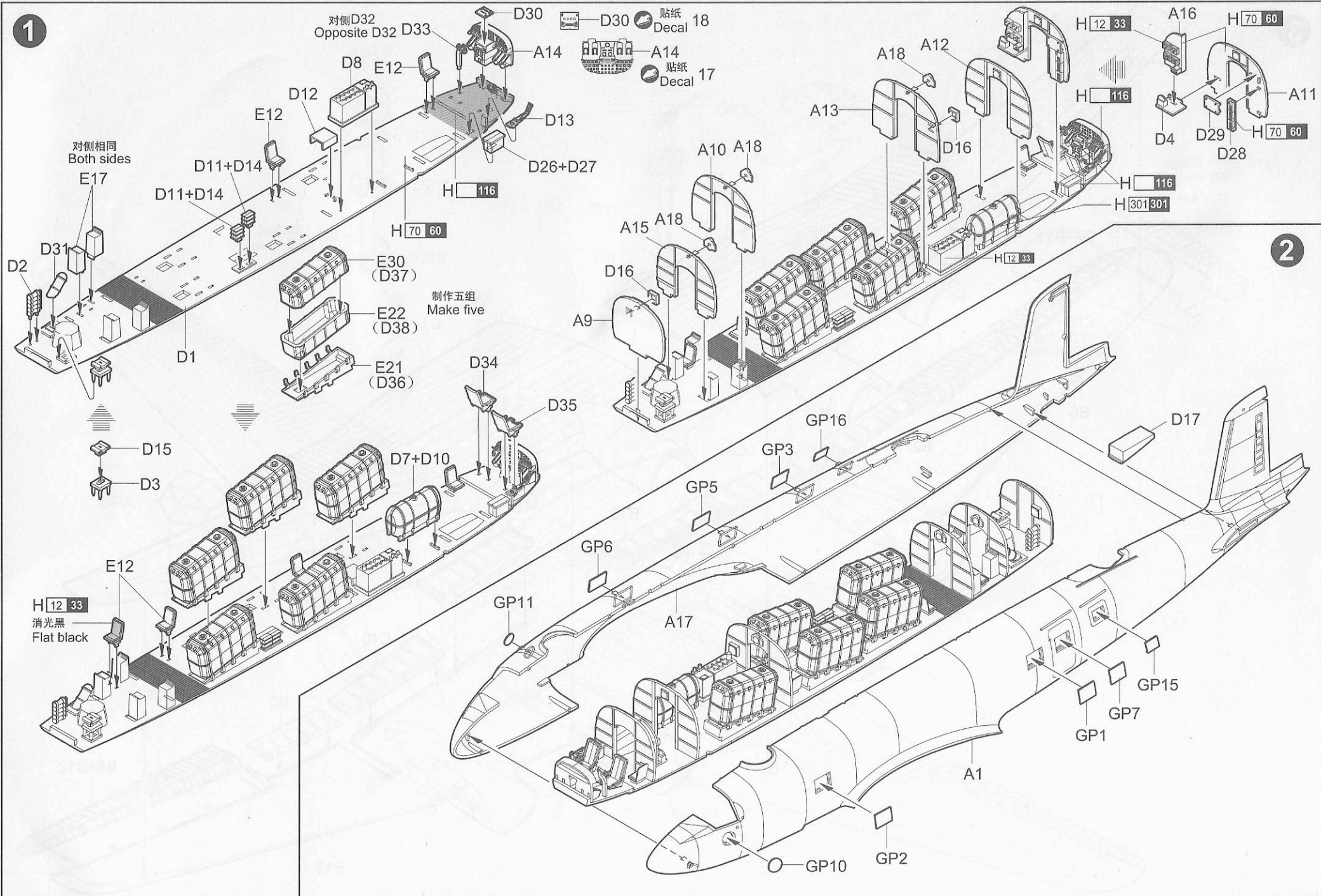
不用的部件: E8 E9 E10 E11 E28 GP14

Unused parts

《水贴》  
Decal



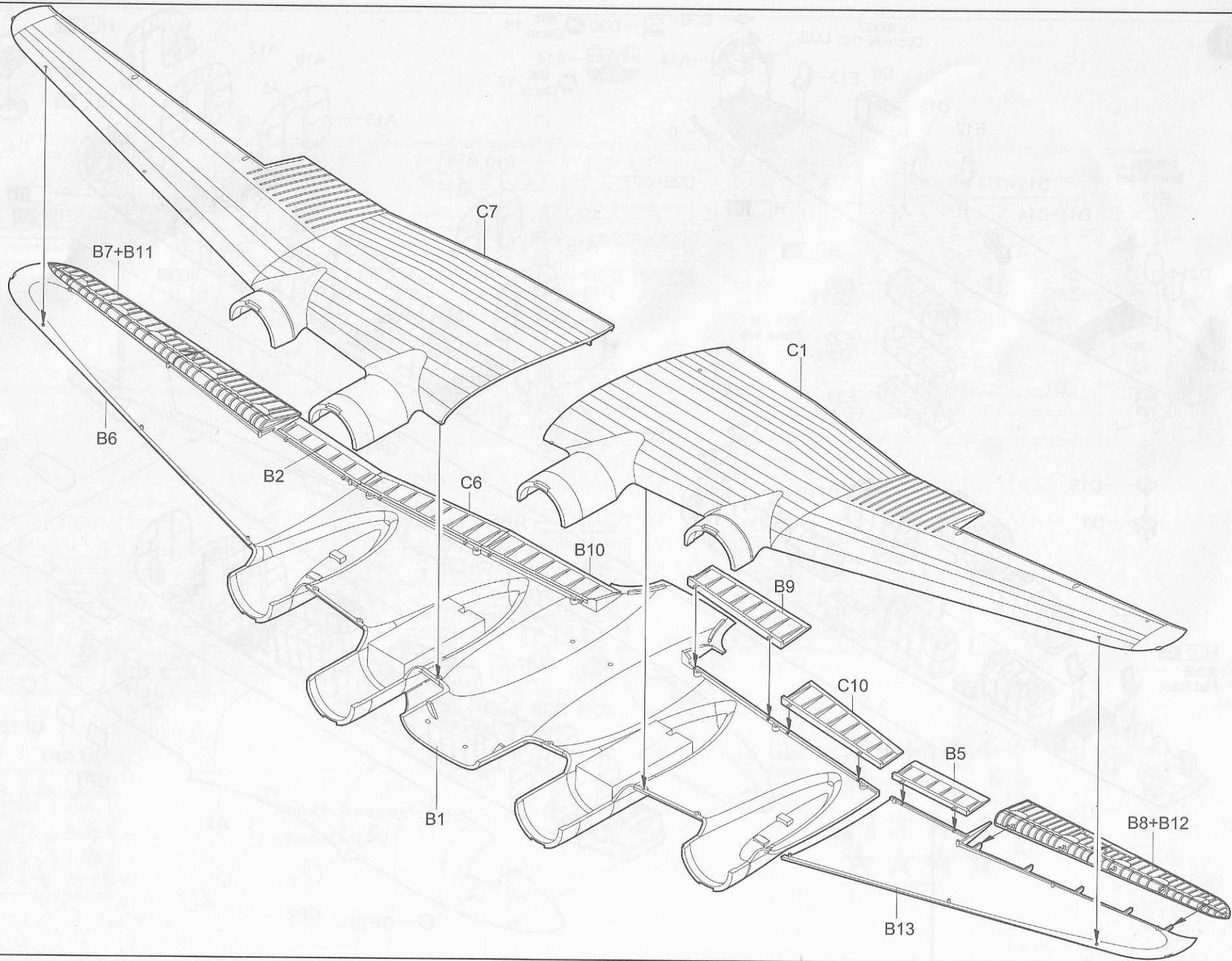
1



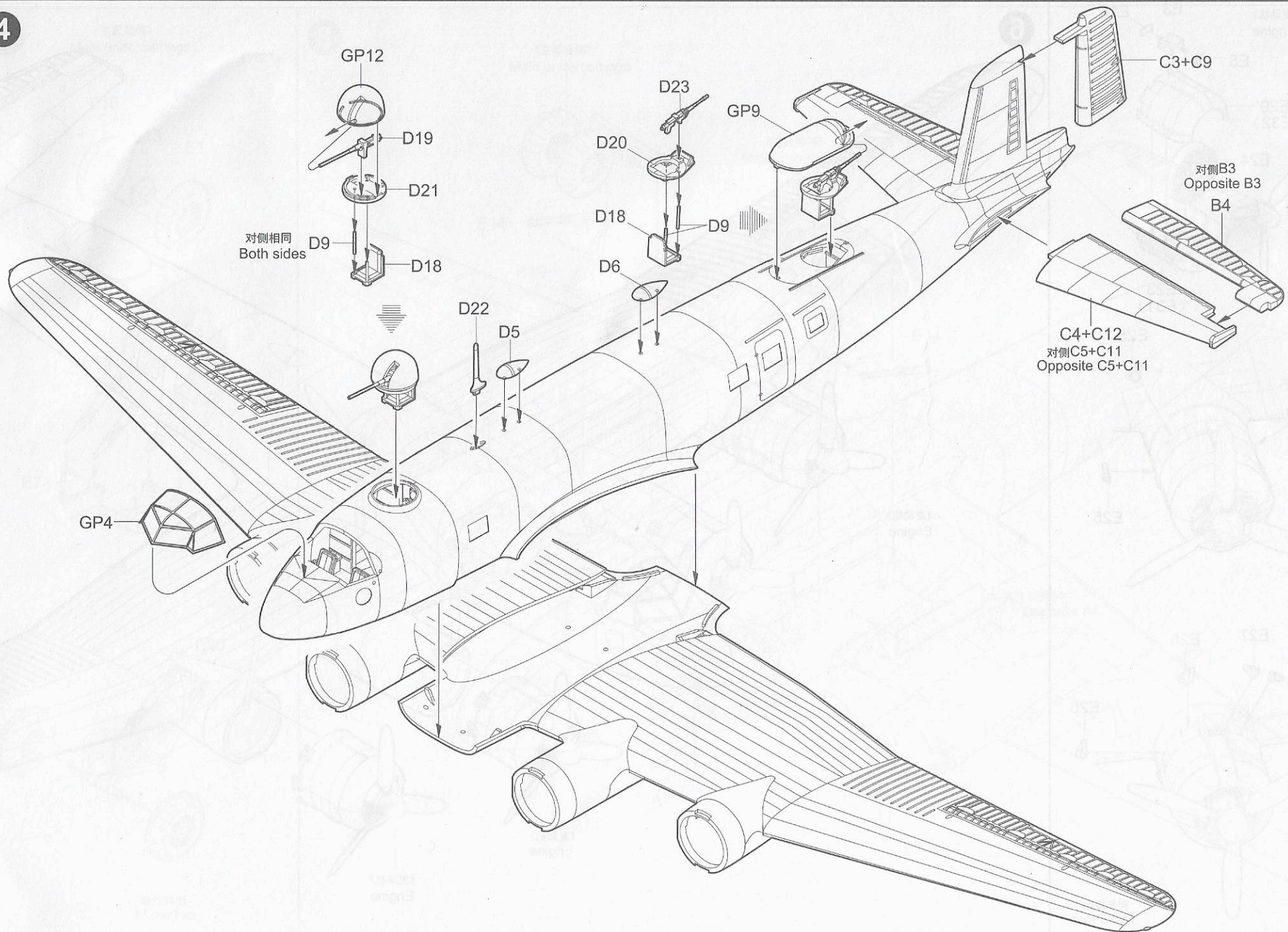
2

3

3

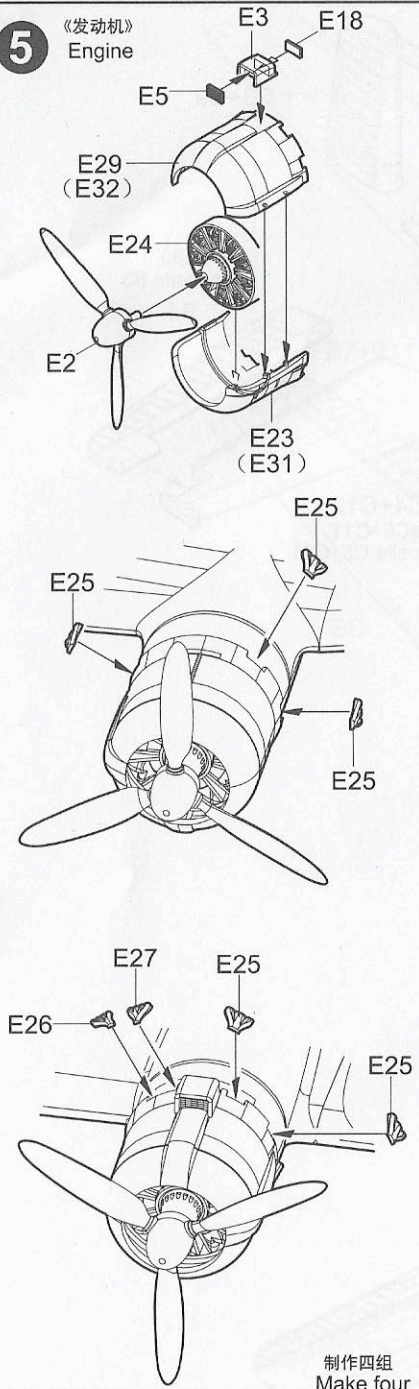


4



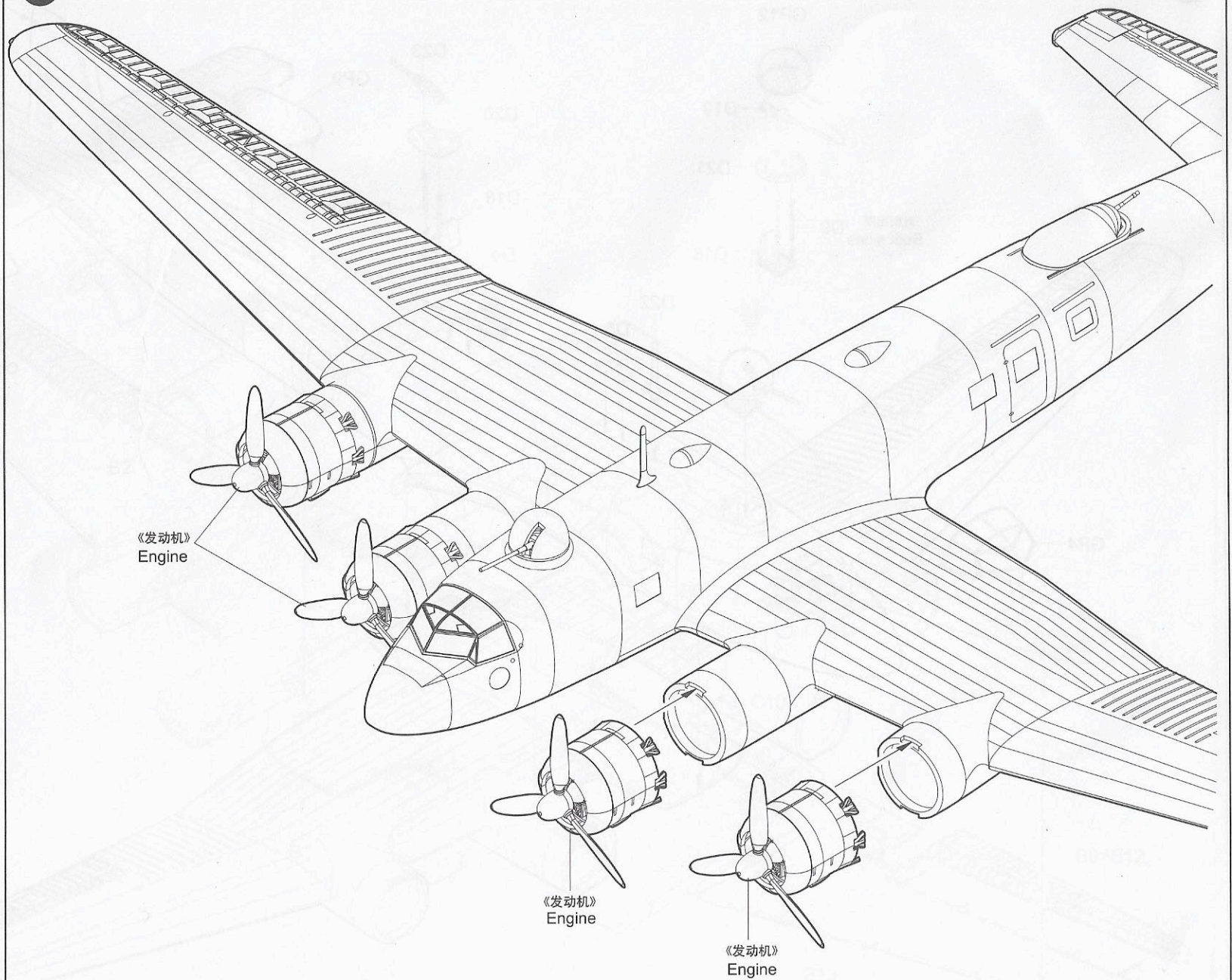
5

《发动机》  
Engine



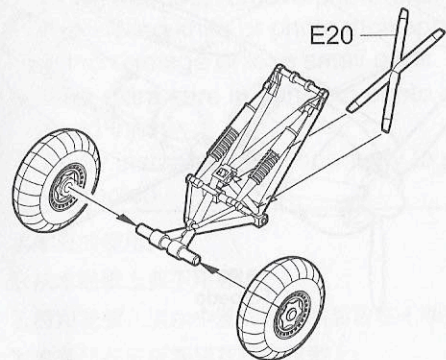
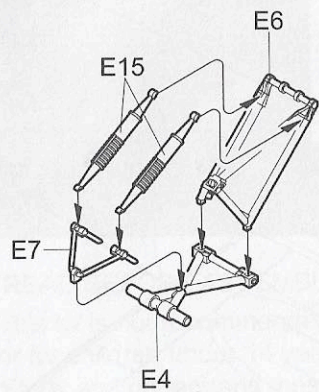
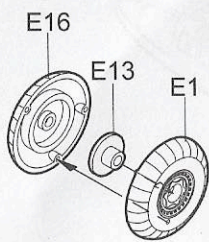
制作四组  
Make four

6



7

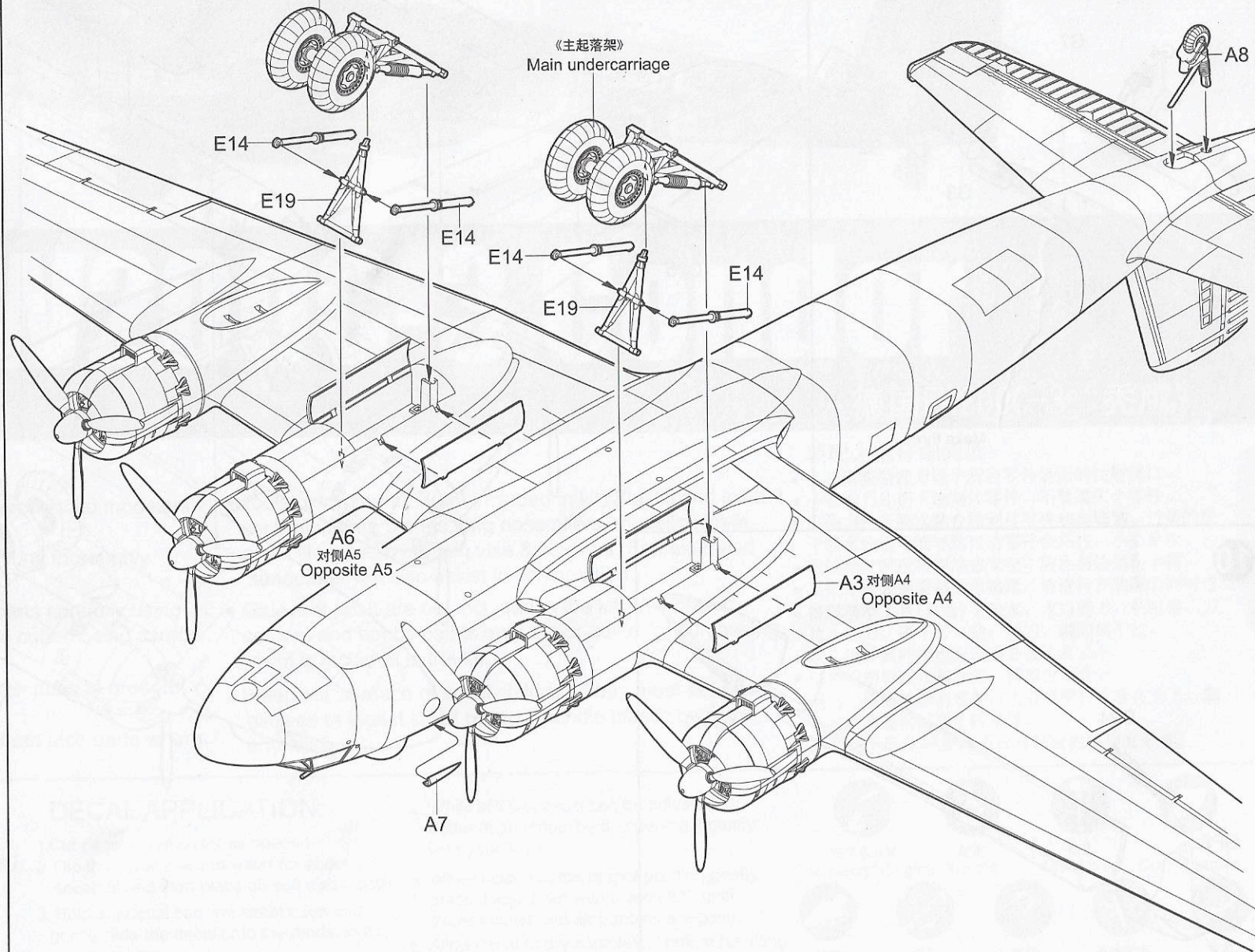
《主起落架》  
Main undercarriage



制作两组  
Make two

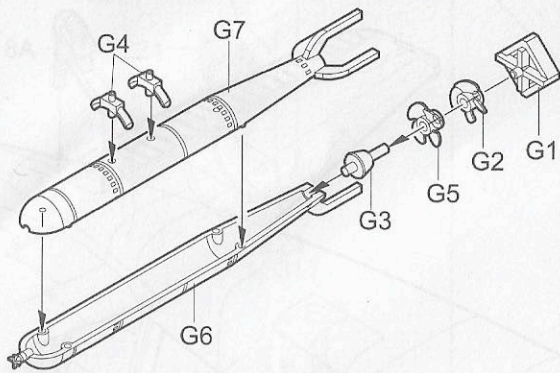
8

《主起落架》  
Main undercarriage



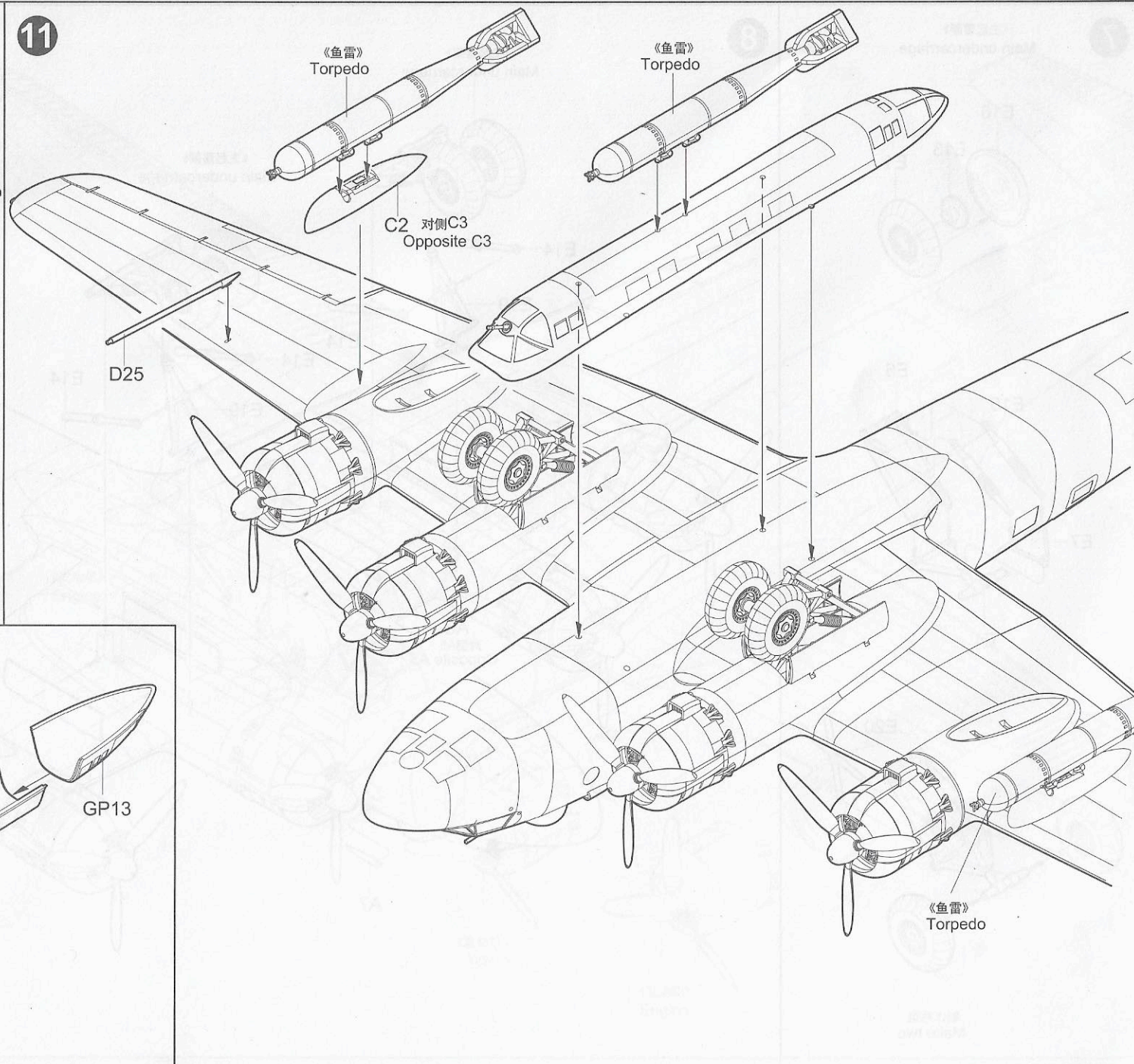
9

《鱼雷》  
Torpedo

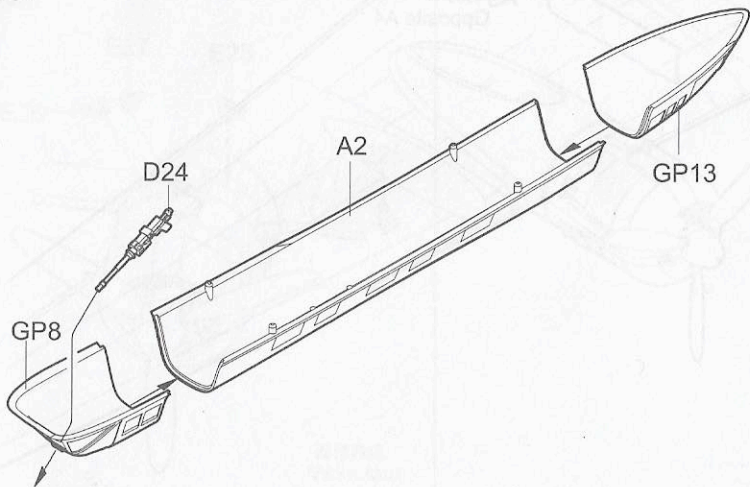


制作三组  
Make three

11



10



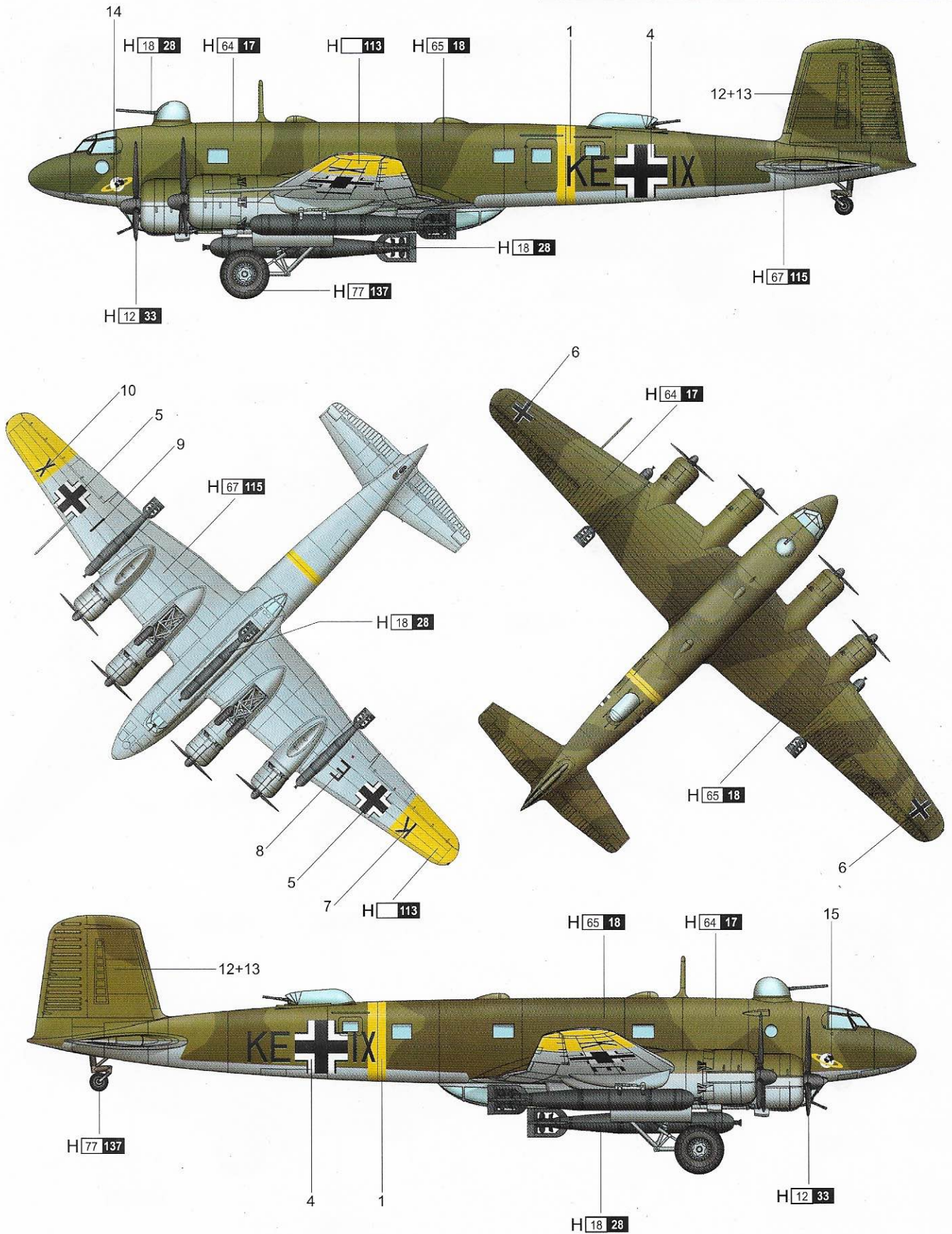


涂装同标贴指示  
Painting & Marking guide

PAINT REFERENCE COLOUR

Color	Mr.Hobby	Vallejo	Model Master	Tamiya	Humbrol
黑绿色 RLM70 Black Green	H 65 18	897	—	XF27	91
暗绿色 RLM71 Dark Green	H 64 17	—	—	—	—
黄色 RLM04 Yellow	H 113	—	—	A78	—
胎黑色 Tire Black	H 77 137	—	—	—	—

**A** German, KE+IX, FW 200C-3, (W.Nr.0099)



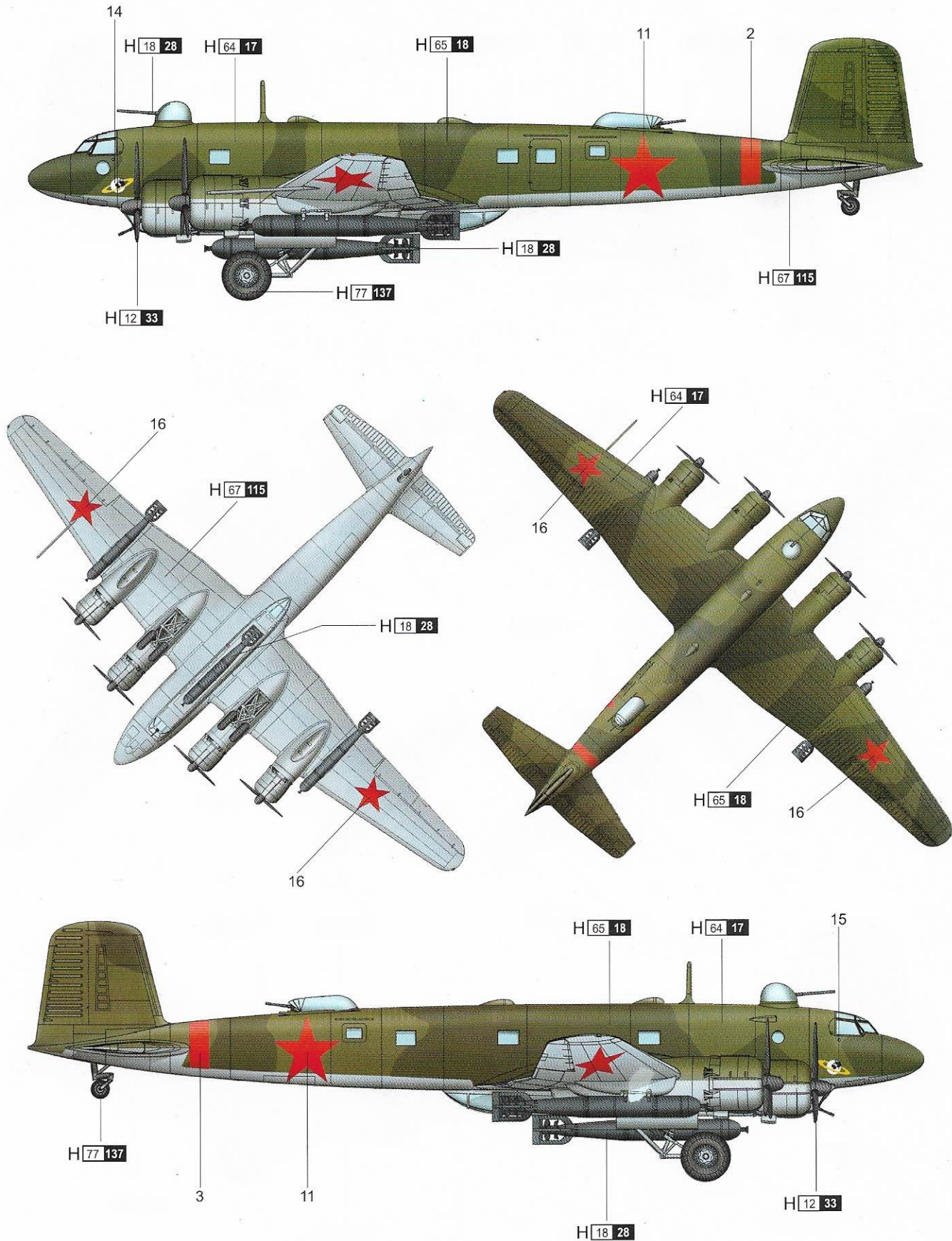
H [ ] AQUEOUS HOBBY COLOR    X Mr. COLOR

涂装同标贴指示  
Painting & Marking guide

PAINT REFERENCE COLOUR

Color	Mr.Hobby	Vallejo	Model Master	Tamiya	Humbrol
浅蓝色 RLM65 Light Blue	H 67 115	906	—	XF23	65
黑铁色 Steel	H 18 28	864	1402	—	—
消光黑 Flat Black	H 12 33	950	1749	XF1	33

**B** German, ex F8+GW, FW 200C-3, (W.Nr.0034), captured by U.S.S.R



H AQUEOUS HOBBY COLOR    Mr. COLOR

01637 1/72 FW 200C-3 Condor



1/72 scale 01637

100% NEW TOOLING!

## FW200 C-3 Condor



The Focke-Wulf Fw 200 Condor was designed by Dr.Kurt Tank as the response to the Douglas DC3.This all-metal four-engine aircraft was designed to carry 25 passengers and have the range to 3000km.The aircraft took the first flight in July 1937.After the outbreak of the World War II,the Condor was remodeled to the military aircraft as the transport,the bomber and the reconnaissance under the request of the Air force.The fuselage was strengthened and the wings became longer for the bombs,the inside of the aircraft was lager and the few of machine guns was added.

The Fw 200C-3 is the first bomber type of the Condors,the fuselage was strengthened again and engine were exchanged to Bramo 323 R-2 engines.The further developed type,the C-3/U1,replace the MG 151 and MG FF guns on the back turret to the MG 151/20 guns.

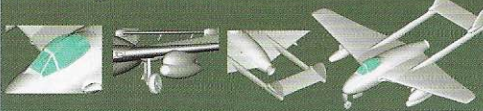
The kit consists of 262 parts on 9 sprues.



1/48 scale 02674

NEW VARIANT!

## Vampire FB.MK.5



The de Havilland DH.100 Vampire was a British jet-engine fighter. The DH.100 Vampire was commissioned by the Royal Air Force during the Second World War, and was the second jet fighter to enter service with the RAF, after the pioneering Gloster Meteor. Although the Vampire arrived too late to see combat during the war, it served with front line RAF squadrons until 1955, and continued in use as a trainer until 1966. The Vampire also served with many air forces worldwide, and set aviation firsts and records.

The kit consists of 60 parts on 4 sprues.



1/35 scale 01008

NEW VARIANT!

## M1083 FMTV(ARMOR CAB)



The M1083 Standard Cargo Truck is designed to transport cargo and soldiers. The M1083 has a payload capacity of 10,000 pounds and to facilitate loading/unloading, the bed side rails are mounted on hinges. The cargo bed can be equipped with an optional bench seat kit for transport of soldiers. The bench seats are constructed of a non-wood material and attach to the cargo bed side rails. The seats can be folded down and stowed when not in use. Soldiers are assisted climbing in and out of the cargo bed area with the aid of a ladder stowed on the vehicle when not in use. A canvas and bows kit is provided to keep soldiers and cargo protected from the elements. The M1083 can be equipped with a self-recovery winch capable of fore/aft vehicle recovery operations. The winch has 280 feet of line capacity and 15,500 pounds bare drum line pull at 110% overload.

The kit consists of 480 parts on 15 sprues,28 parts photo-etched ,7 tire.



1/35 scale 02340

NEW VARIANT!

## Chinese Type 56 Divisional Gun



The 85-mm divisional gun D-44 was a Soviet divisional 85-mm calibre field artillery gun used after World War II. It was designed as the replacement for the 76 mm divisional gun M1942 (ZIS-3). The gun is no longer in front-line service with the Russian Ground Forces, although some 200 of the Chinese Type 56 variant are still in service with the Pakistan Army.

The kit consists of 124 parts on 5 sprues,23 parts photo-etched ,2 tire.



1/350 scale 04551

100% NEW TOOLING!

## PLA Navy Type 071 Amphibious Transport Dock



The Type 071 are amphibious warfare ships of the People's Republic of China's People's Liberation Army Navy. The ship carries hovercraft and helicopters to allow amphibious assault from greater distance and against more difficult shore terrain. Built by the Shanghai-based Hudong Shipyard, the ship is equipped with a 76 mm gun and 4 × 30 mm CIWS for self-defense. The ship significantly improves the PLA Navy's sea-lift and power projection capabilities.

The lead ship, pennant number 998, Kunlun Shan was laid down in Shanghai on June 2006 and launched on 21 December 2006 and conducted sea trials in September 2007 and joined the South Sea Fleet in December 2007.

The kit consists of 597 parts on 23 sprues,279 parts photo-etched ,1 metal chain.



1/700 scale 05798

100% NEW TOOLING!

## HMS Barham 1941



HMS Barham in 1913 was started in February 1914, launched in October, in 1915 November completed in John Brown shipyard.In May 31, 1916 participated in the famous battle of Jutland and damage repair, 1916 July.In 1930 -1933 years refitting for modernization.In 1941 November in the Mediterranean by the German U331 submarine launched 3 torpedoes, overturning sinking process explosion, 861 people were killed.

The kit consists of 192 parts on 16 sprues,31 parts photo-etched .



1/3 scale 01913

100% NEW TOOLING!

## AR15/M16/M4 FAMILY-SR25

This submachine gun was used extensively by the US Army in Vietnam.Kit consists of over 71 partsto make one gun plus a gun rack.Front sight,hand guard,slip ring,dust cover,ect. Completed kit measures over 9"long.



1/3 scale 01914

100% NEW TOOLING!

## AR15/M16/M4 FAMILY-MK.18 Mod 0 CQR

This submachine gun was used extensively by the US Army in Vietnam.Kit consists of over 93 partsto make one gun plus a gun rack.Front sight,hand guard,slip ring,dust cover,ect. Completed kit measures over 17"long.



1/3 scale 01915

100% NEW TOOLING!

## AR15/M16/M4 FAMILY-M16A4

This submachine gun was used extensively by the US Army in Vietnam.Kit consists of over 91 partsto make one gun plus a gun rack.Front sight,hand guard,slip ring,dust cover,ect. Completed kit measures over 17"long.

1/35 scale 05560

# Russian T-90 MBT - Cast Turret



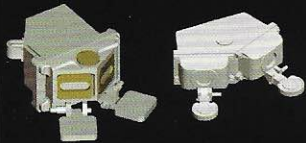
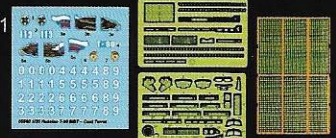
**100% NEW TOOLING!**



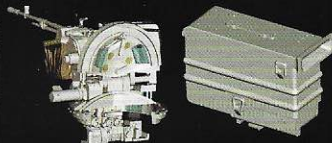
To further improve the T-72's export prospects and its chances of being selected as Russia's sole production MBT, the T-80U's more sophisticated fire control system was also added to produce a vehicle designated T-72BU. The T-90 was developed by the Kartsev-Venediktov Design Bureau at the Uralvagonzavod factory in Nizhny Tagil. The production model is based on the T-72BM, with some added features from the T-80 series.

The T-90 with an 840 hp (630 kW) engine went into low-level production in 1993, based on a prototype designated T-88. It features a new generation of Kontakt-5 explosive reactive armor on its hull and turret. Of conventional layout, the T-90 represents a major upgrade to every system in the T-72, including the main gun. The T-90S have been identified as export model. The references to a T-90E appear to be unsubstantiated. The T-90 is fitted with a "three-tiered" protection system: the first tier is the composite armour in the turret, second tier is third generation Kontakt-5 ERA and third tier is a Shtora-1 countermeasures suite.

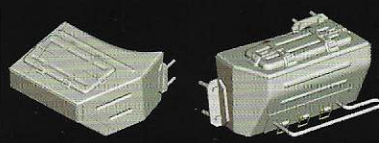
The kit consists of 1109 parts on 29 sprues, 243 photo-etched and 1 copper wire, 1 brass wire.



All laser ranging devices around the turret can be open or closed.



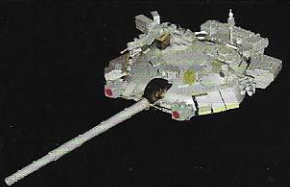
Spare 12.7mm ammunition boxes well reproduced.



Both left and right storage boxes are accurately molded and enhanced with PE parts.



Rear exhaust accurately molded.



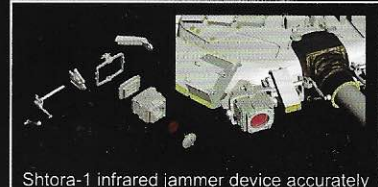
Precisely molded and well detailed turret.



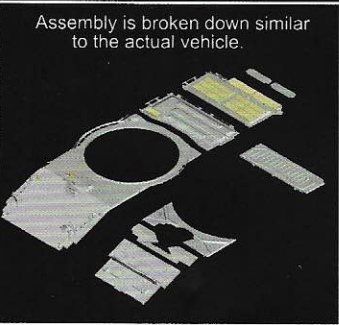
Hatches incorporate lots of photo-etch and clear parts.



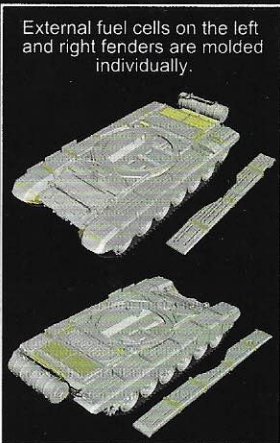
The spare track grousers are held in place by separate pieces.



Shtora-1 infrared jammer device accurately reproduced and easily assembled.



Assembly is broken down similar to the actual vehicle.



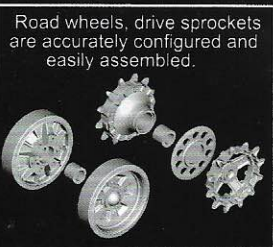
External fuel cells on the left and right fenders are molded individually.



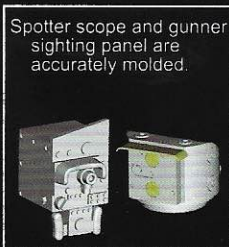
Storage box and snorkel the rear of the turret are well detailed.



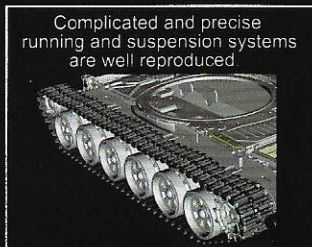
Commander and gunner hatches can be open or closed.



Road wheels, drive sprockets are accurately configured and easily assembled.



Spotter scope and gunner sighting panel are accurately molded.



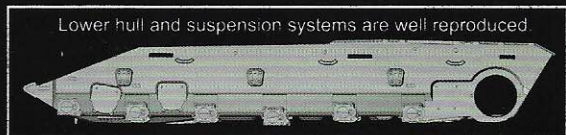
Complicated and precise running and suspension systems are well reproduced.



The intricate details of the turret are enhanced with many PE parts.



Details of the rear hull such as spare fuel drums and unditching log are included.



Lower hull and suspension systems are well reproduced.