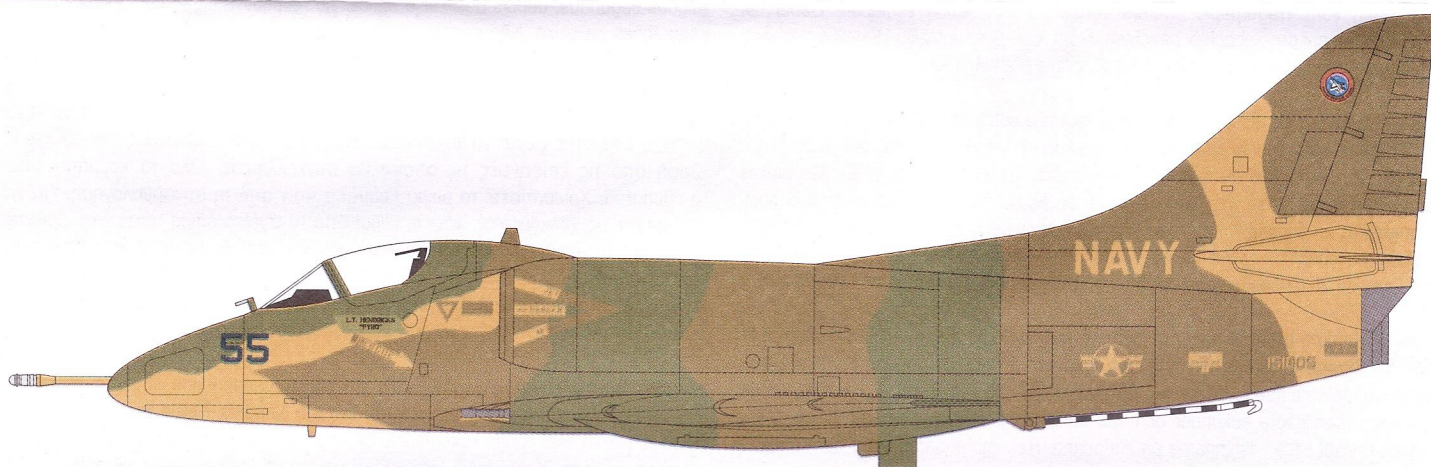




1:72 Jester's A-4 Skyhawk™

A00501 SCALE MODEL CONSTRUCTION KIT



**HORNBY
HOBBIES**

FOR BEST RESULTS:

Surfaces to be painted should be clean — before parts are removed from the sprue, wash in warm, soapy water, rinse and dry thoroughly. Stir paints thoroughly before use.

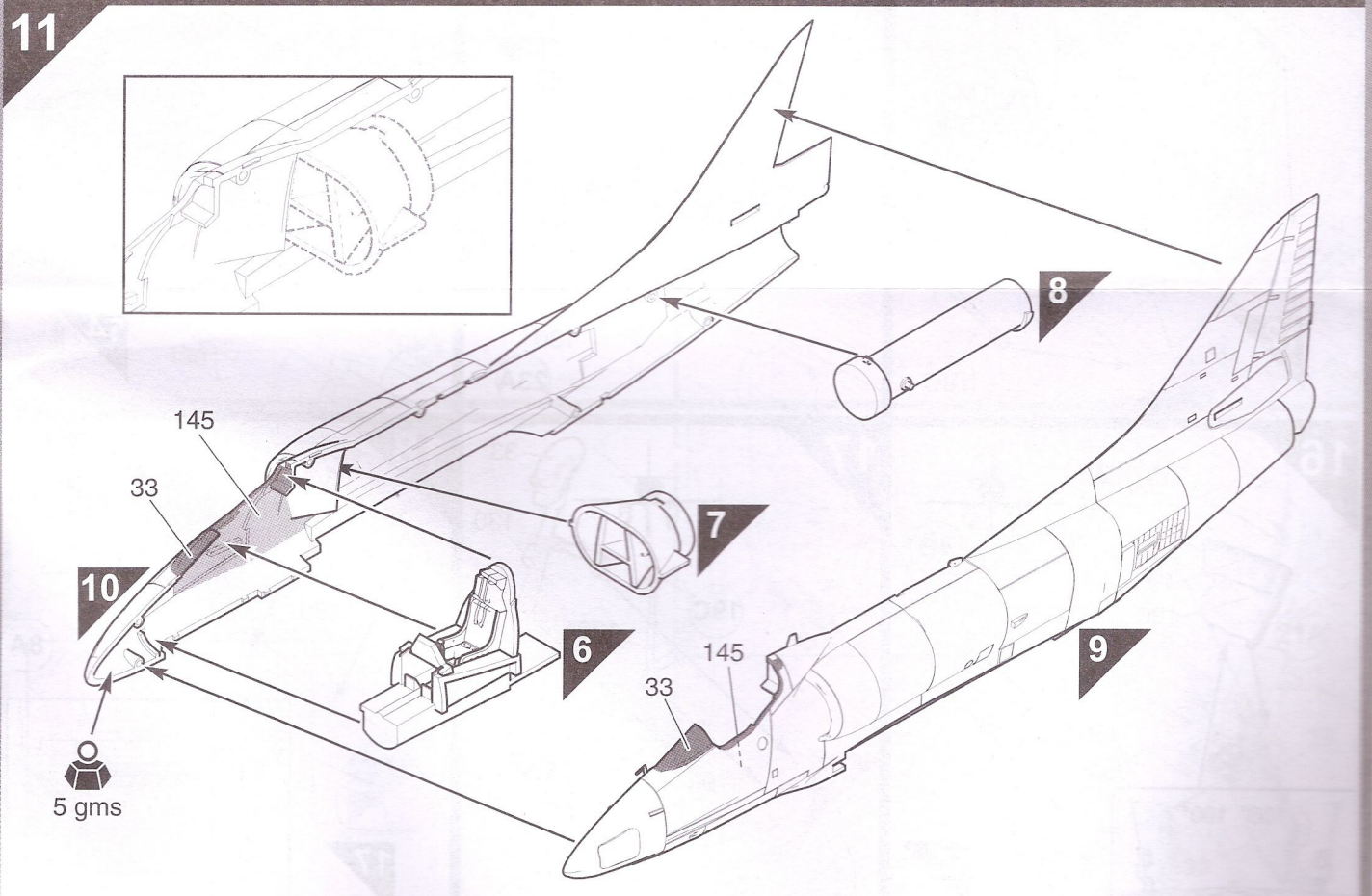
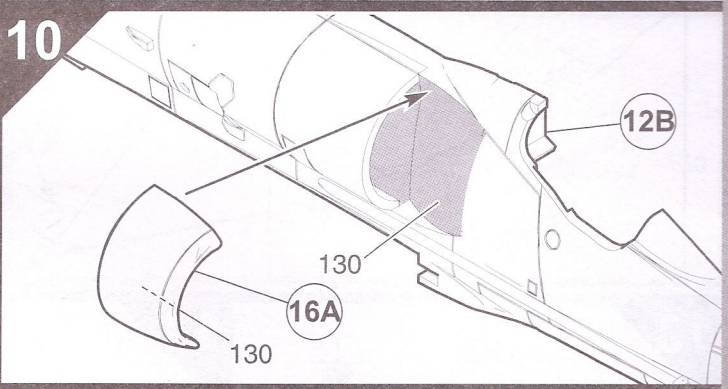
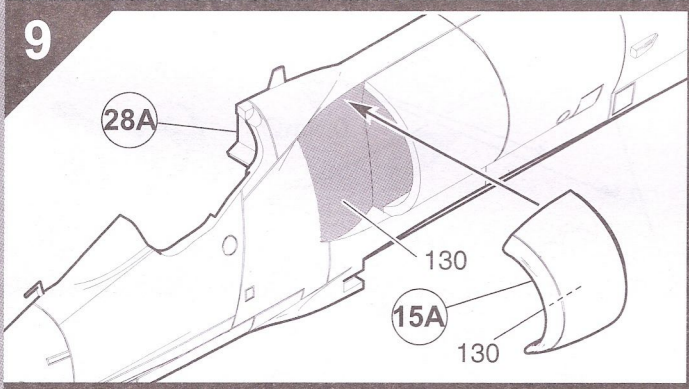
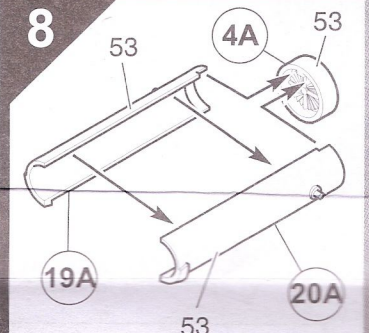
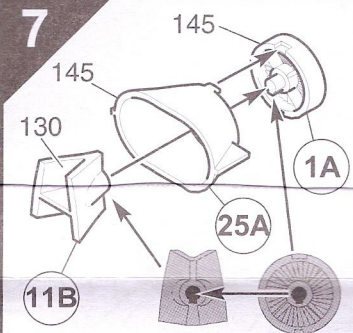
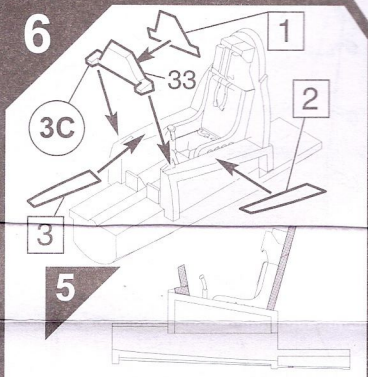
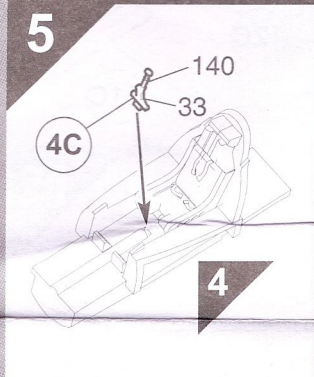
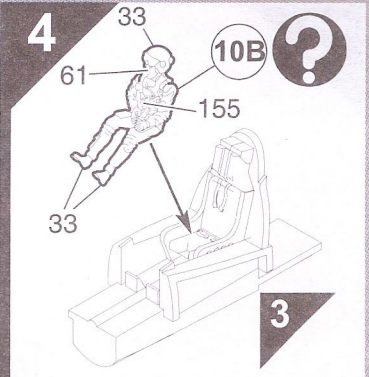
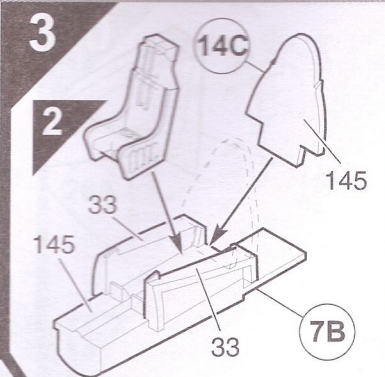
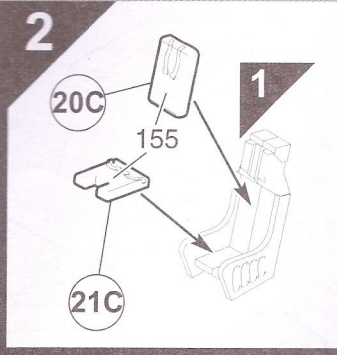
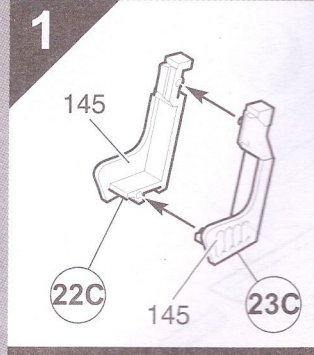
PLEASE NOTE:

Some parts in the kit may not be required to build the model specified.

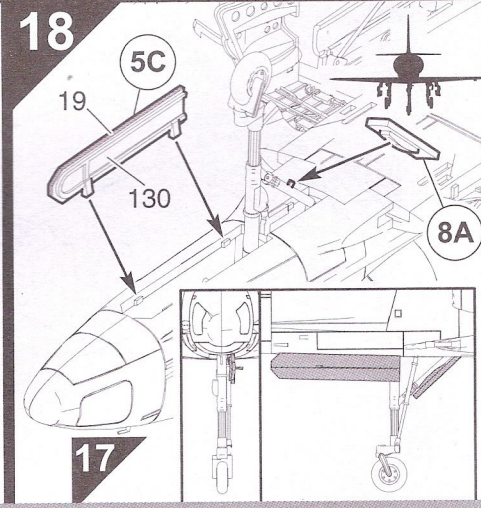
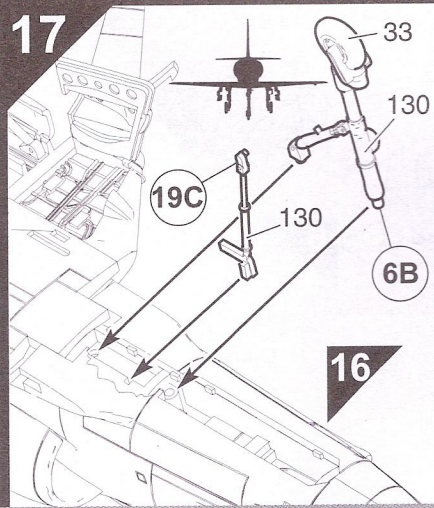
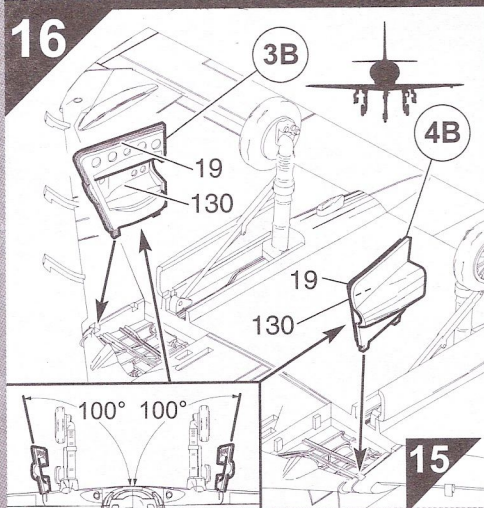
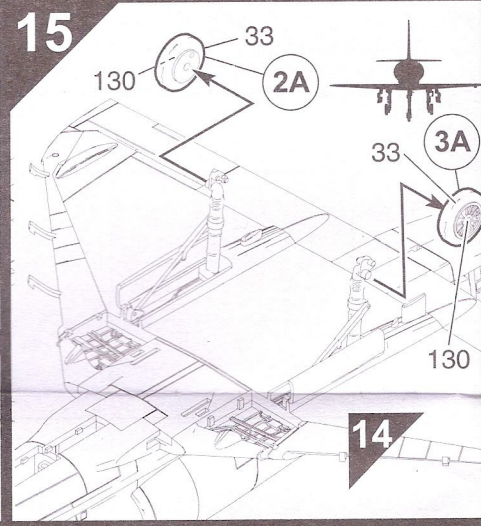
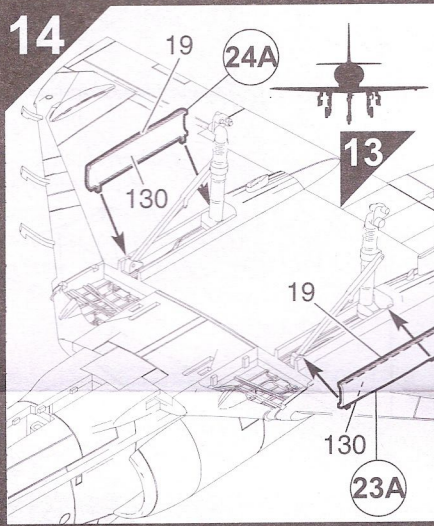
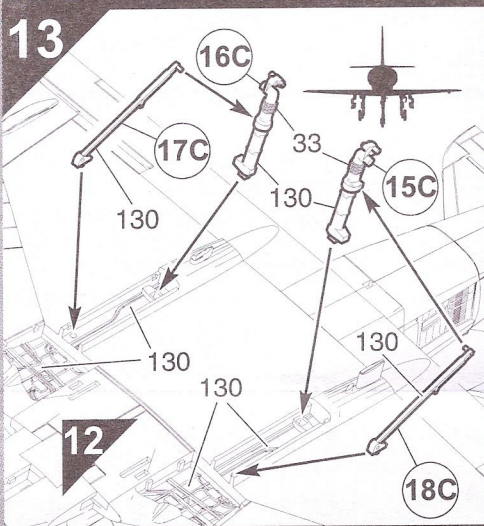
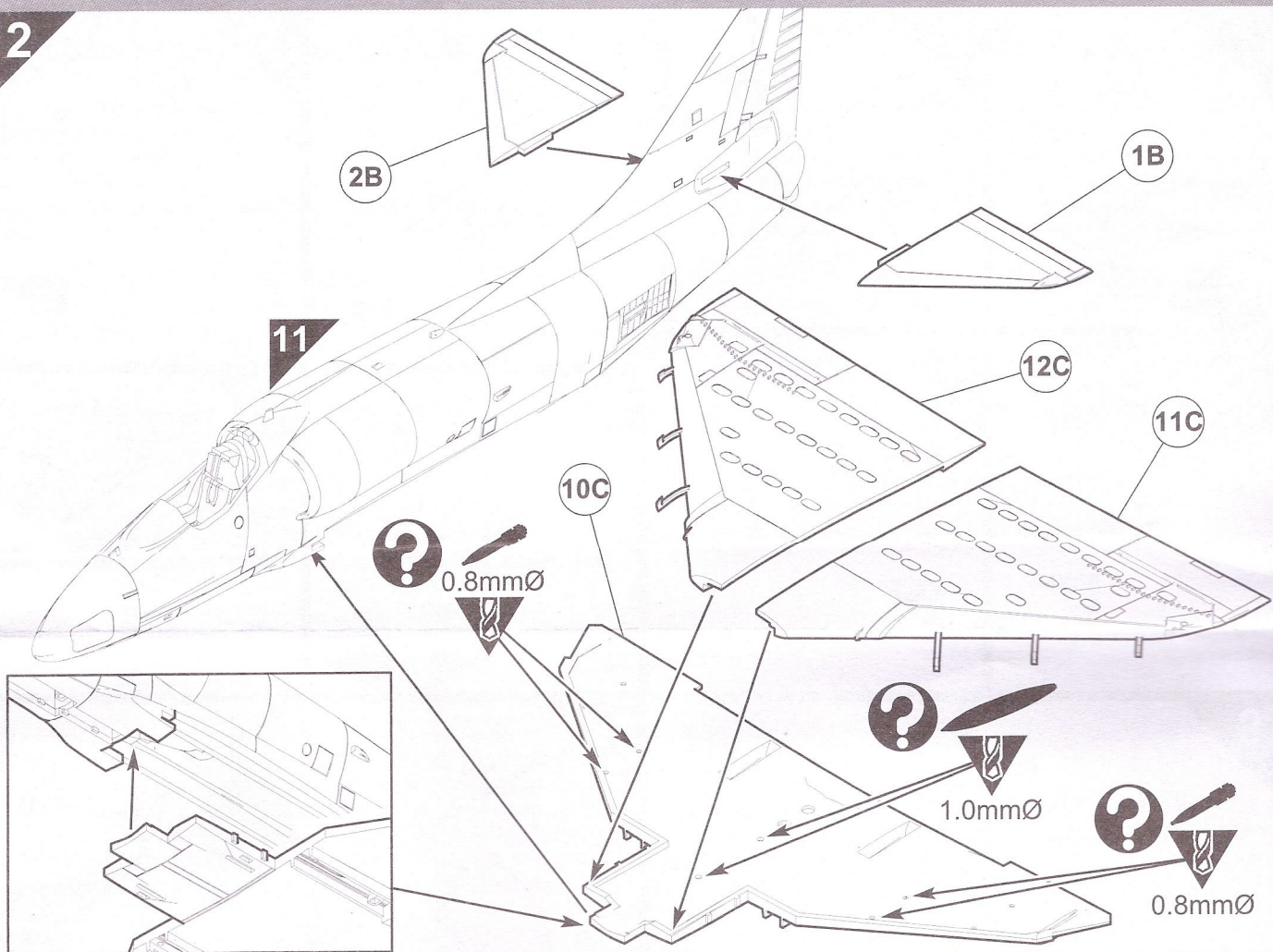


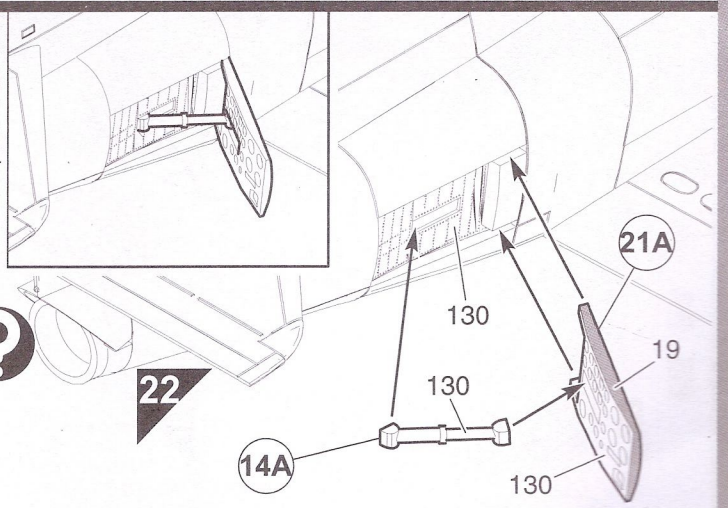
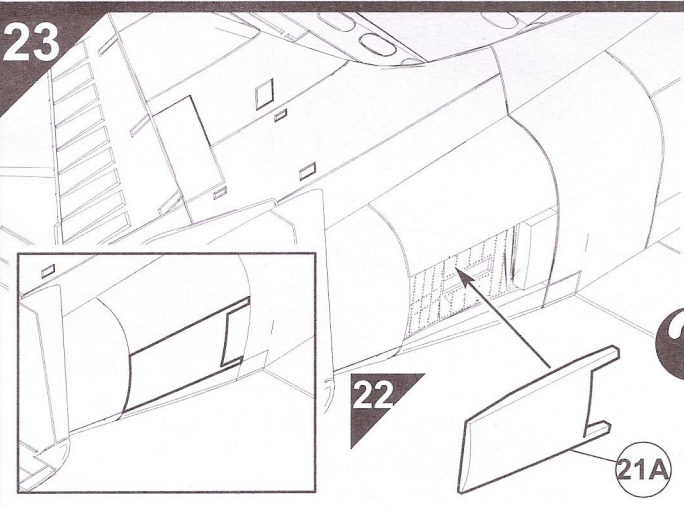
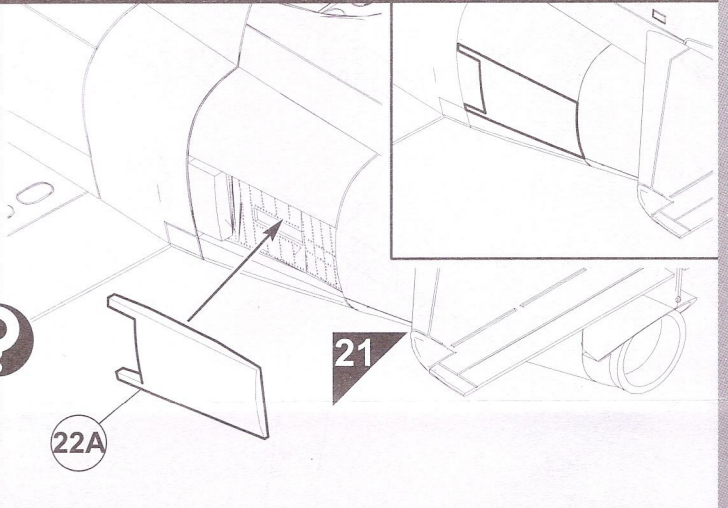
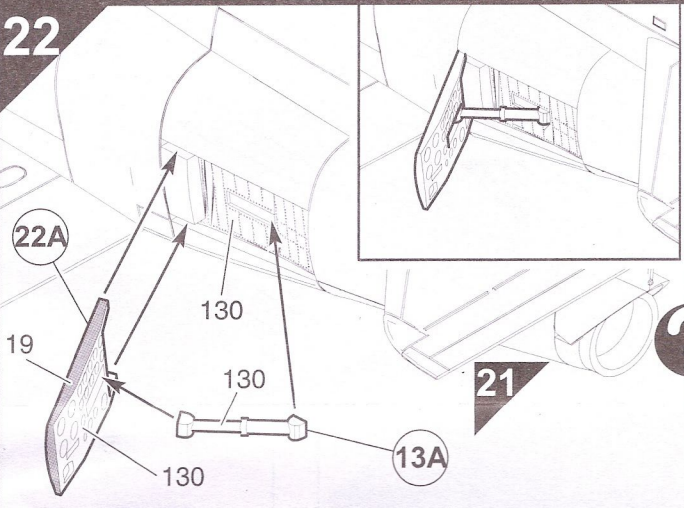
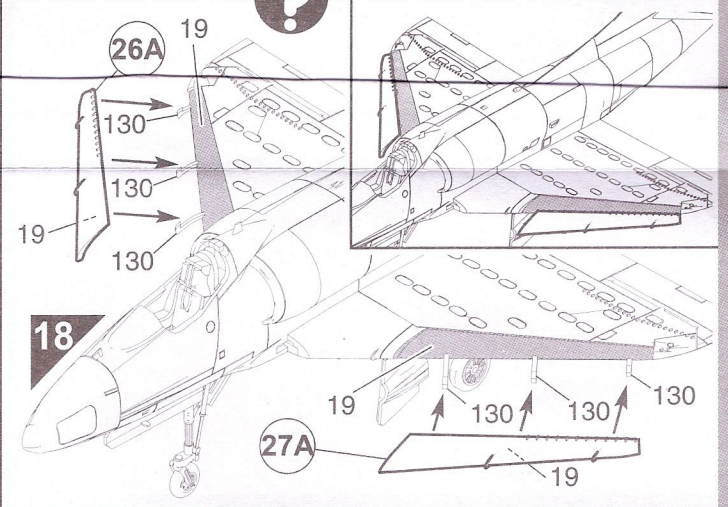
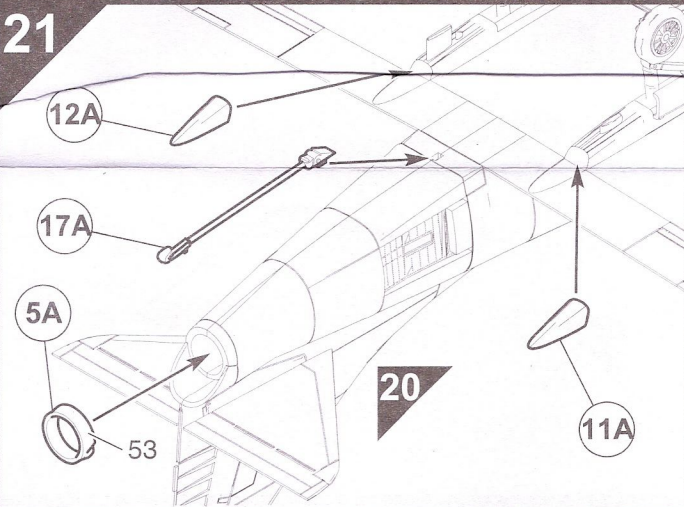
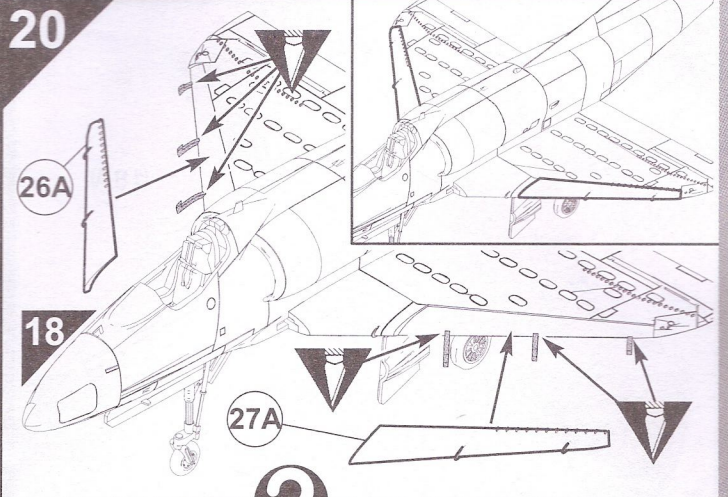
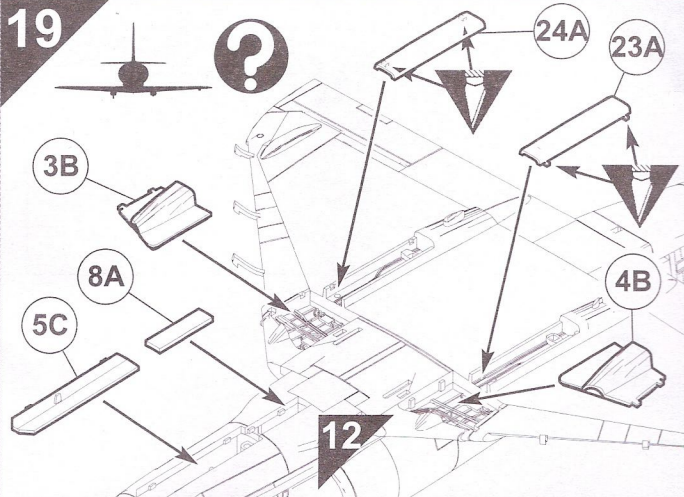
Manufactured by: Hornby Hobbies Ltd Westwood, Margate, Kent, CT9 4JX, UK +44(0)1843 233525 customerservices.uk@hornby.com

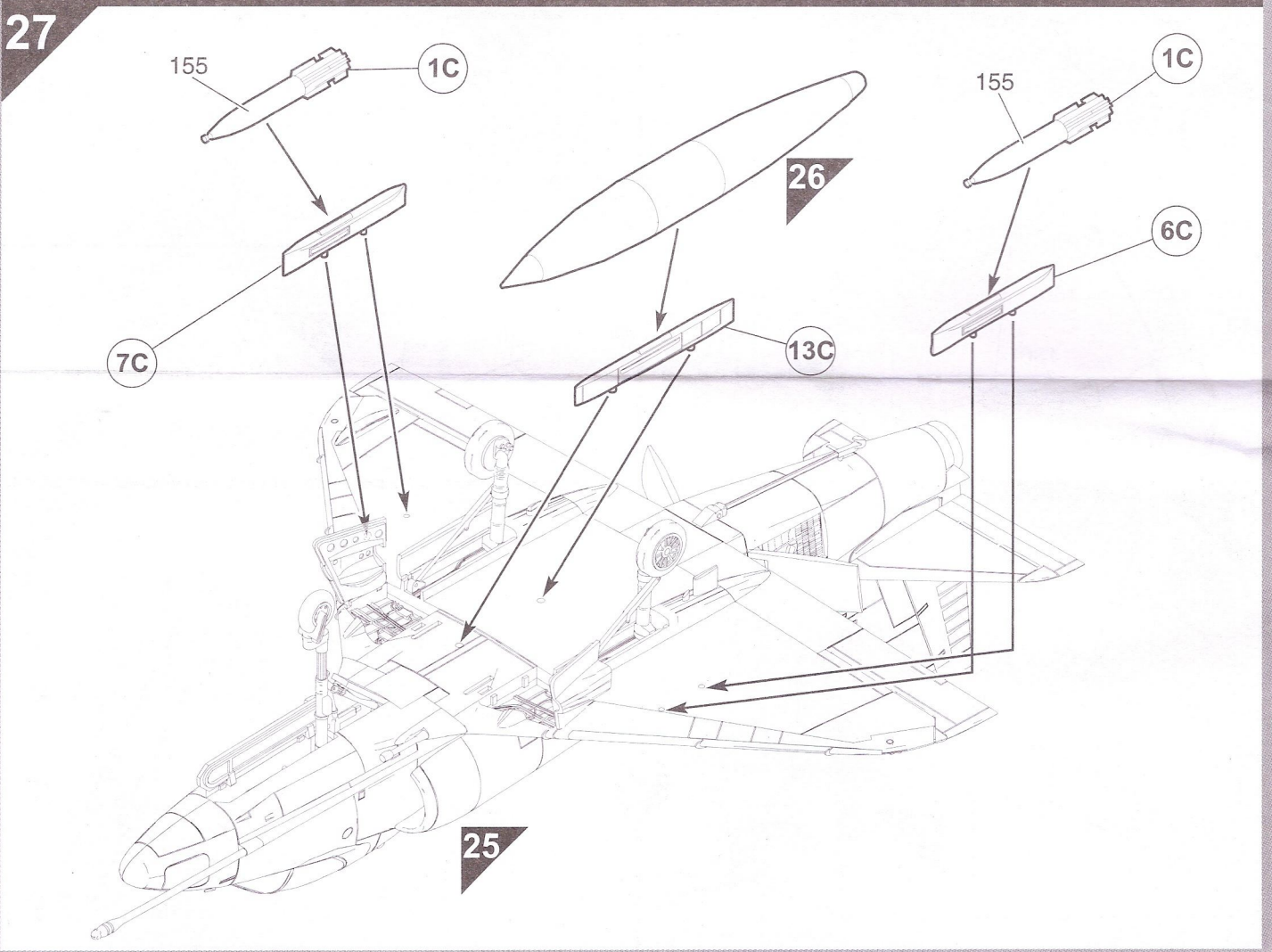
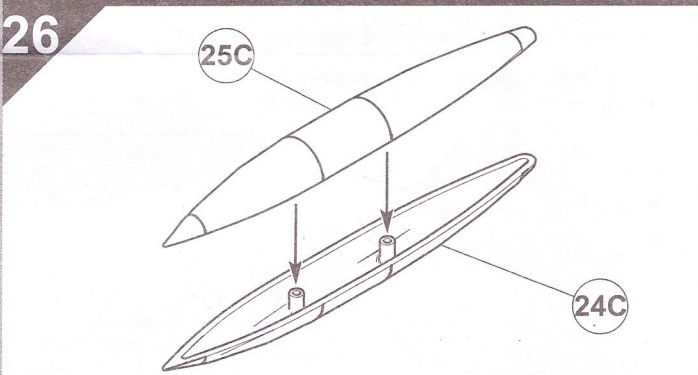
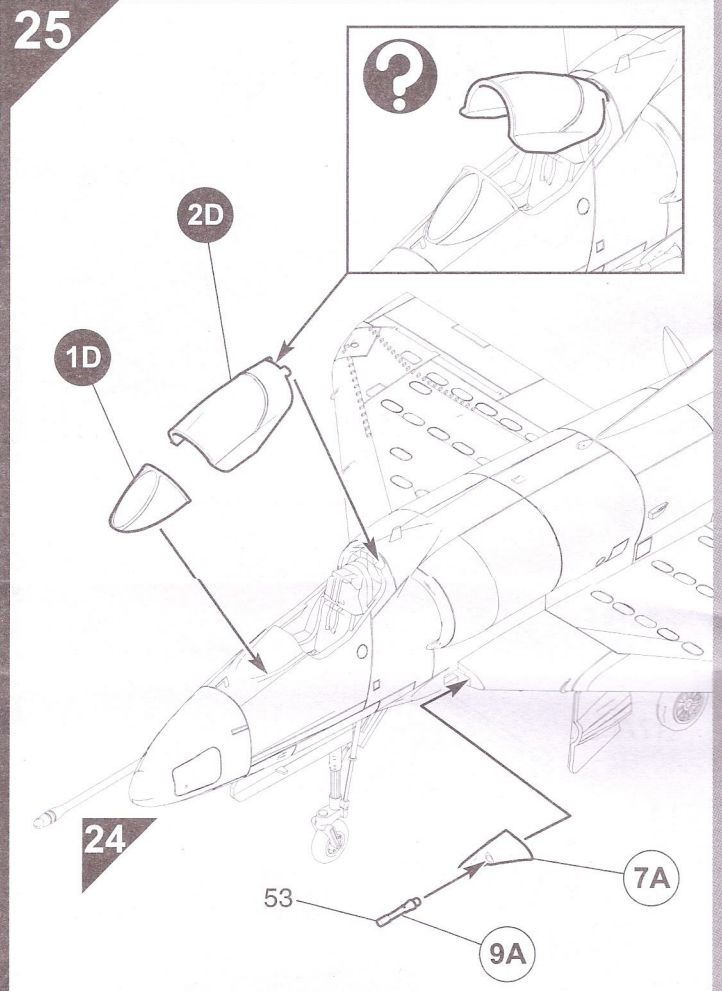
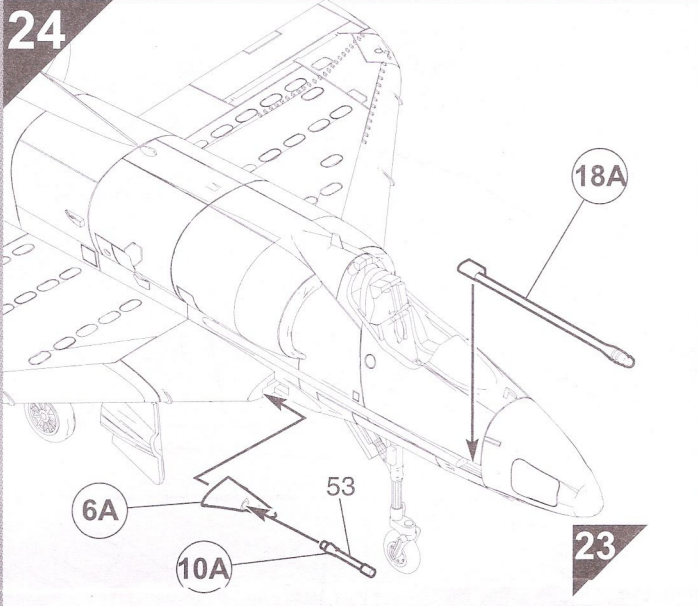
EU Authorised Representative: Hornby Italia SRL Viale dei Caduti, 52/A6, Castel Mella (BS), Italy, 25030 +39 0687501292 customerservices.it@hornby.com



12

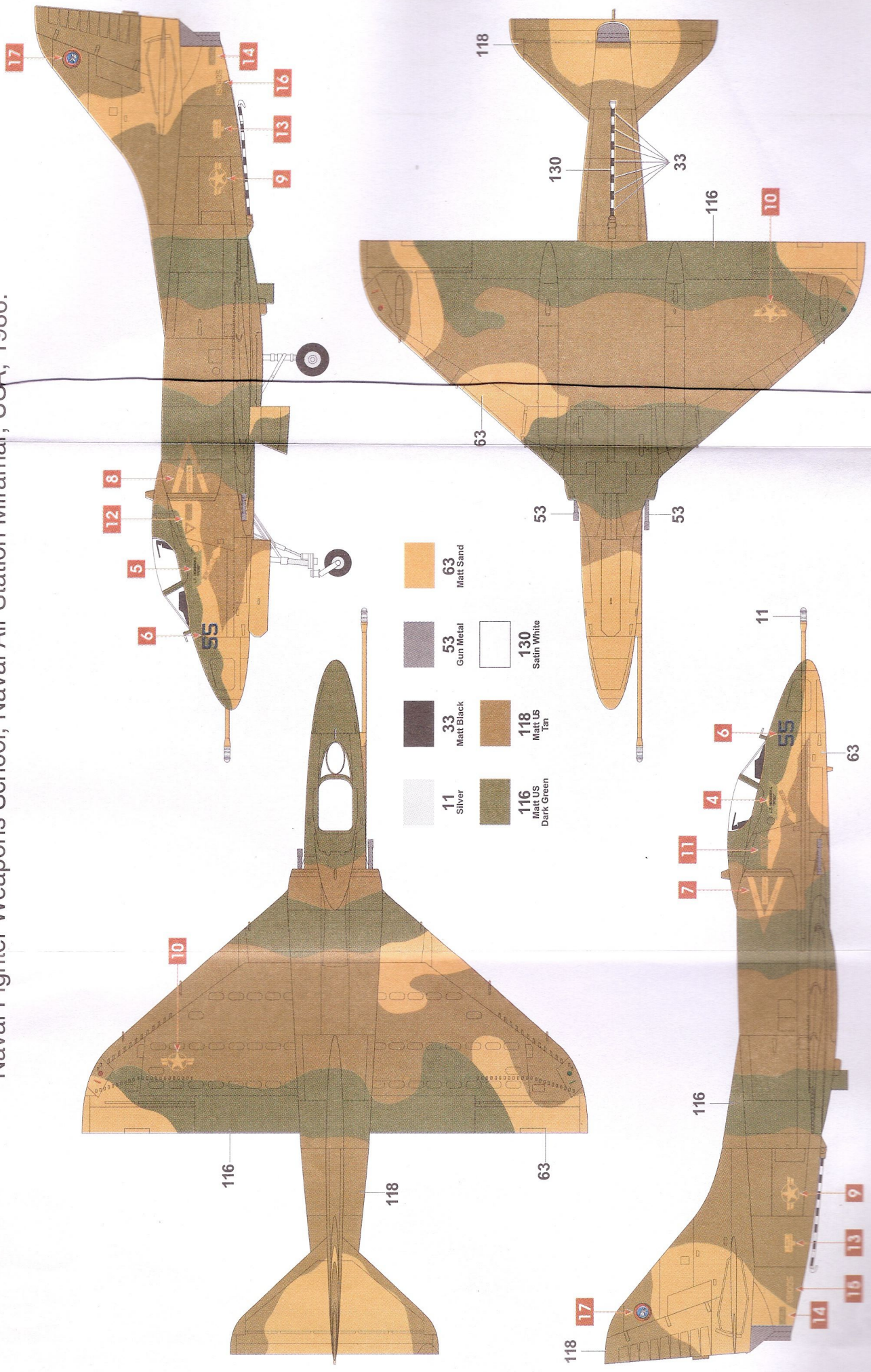






Jester's A-4 Skyhawk™

Naval Fighter Weapons School, Naval Air Station Miramar, USA, 1986.



- 33**
Matt Black
- 53**
Gun Metal
- 118**
Matt US Tan
- 11**
Silver
- 63**
Matt Sand
- 116**
Matt US Dark Green
- 130**
Satin White