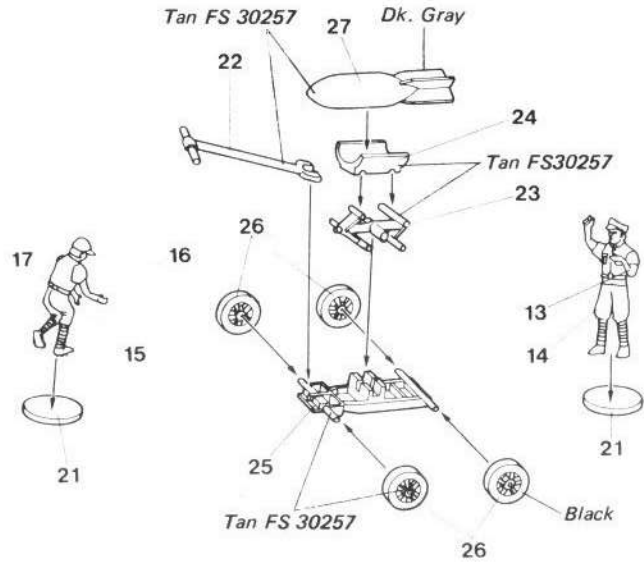
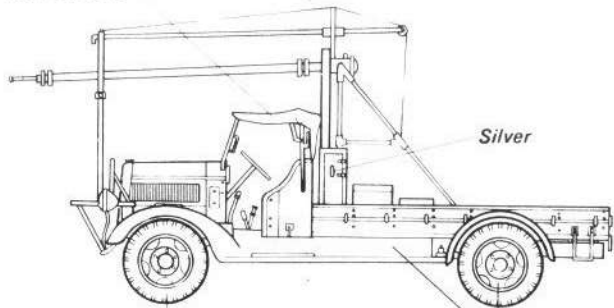


8 Cement four 26's to 25 then cement one 24 to 23 and cement unit to 25. Cement one 27 to 24. Cement 13 and 21 to 14 and cement 15, 16 and 21 to 17.

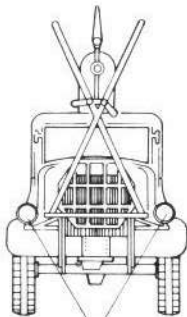


Lt. Tan FS30372

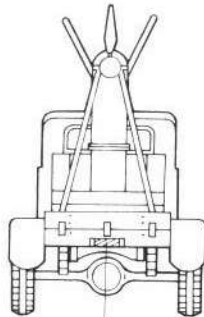


Black

Tan FS30257



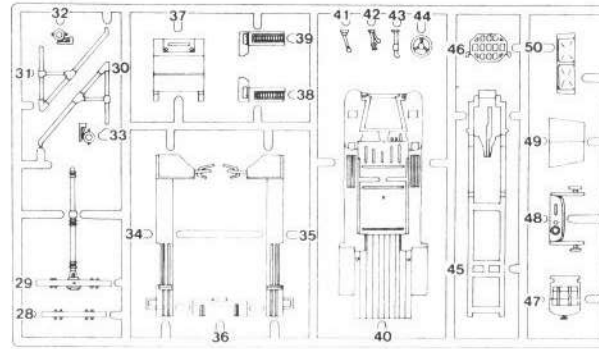
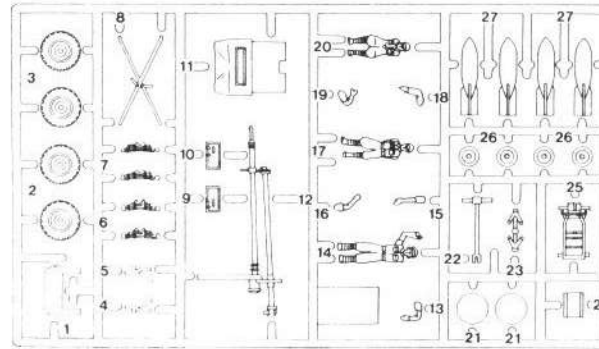
Silver



201

Decal

PART DRAWINGS AND PART NUMBERS



51

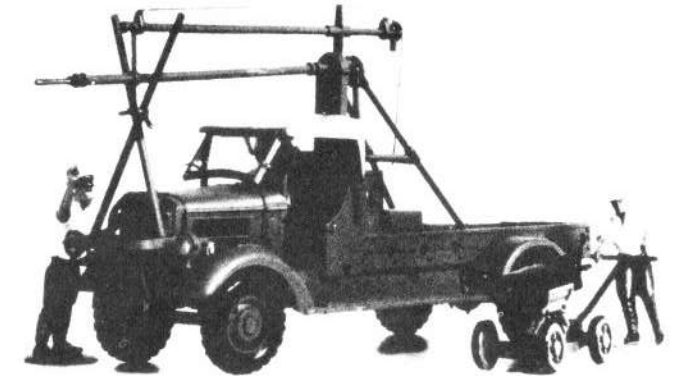


STARTER TRUCK TOYOTA GB

1/72 SCALE



Kit No.MB-017



From 1938 until the end of World War II, the Japanese Air Force extensively used the Toyota GB Starter Truck.

Originally adapted from a standard cargo truck, the starter unit consisted of a power take-off from the transmission, a right-angle gear drive and a moveable boom which could be adjusted to mesh with the propeller hub of a fighter plane. This design, besides being economical, was highly efficient since when not used as a starting unit, the truck was available for general utility work.

If you wish to present your model of the starter truck as one manufactured during the latter part of the war, you should leave off the front fenders, the radiator grill and one headlight, because as shortages became more prevalent during the latter part of the war, these "unnecessary" details were omitted from production.

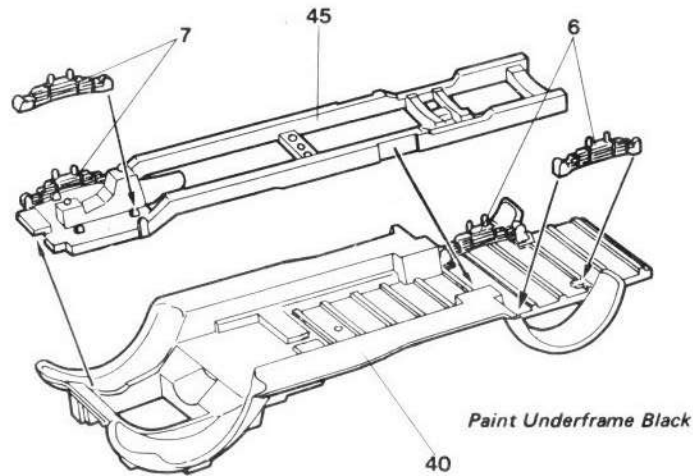


MANUFACTURED IN JAPAN
& PACKED IN ENGLAND
By A. A. HALES LTD.
HINCKLEY, LEICS.

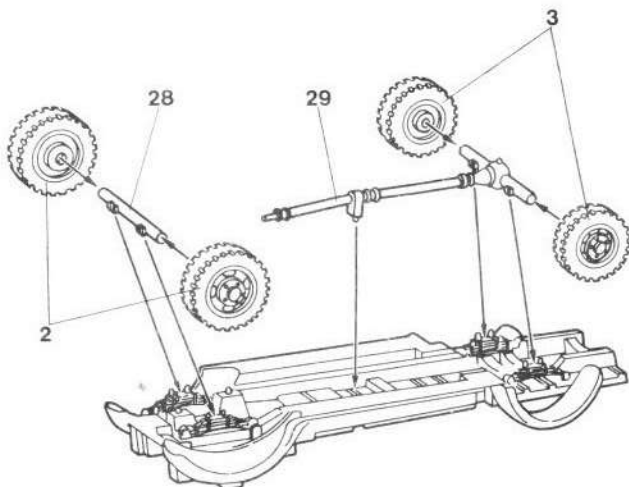
BEFORE ASSEMBLING YOUR KIT

Read these instructions carefully before assembling your model and check the exact fit of the parts before cementing. Clean off excess plastic, if any, with a sharp knife or a file. Since many tiny parts are included, check them with the assembly drawing before assembling. Do not tear off parts from the stem, but cut them off carefully with a knife or clippers. Do not cut off all of the parts at the beginning, but cut each part to be assembled, one by one, to assure each part being properly identified. Do not use too much cement since surplus adhesive can spoil the finish.

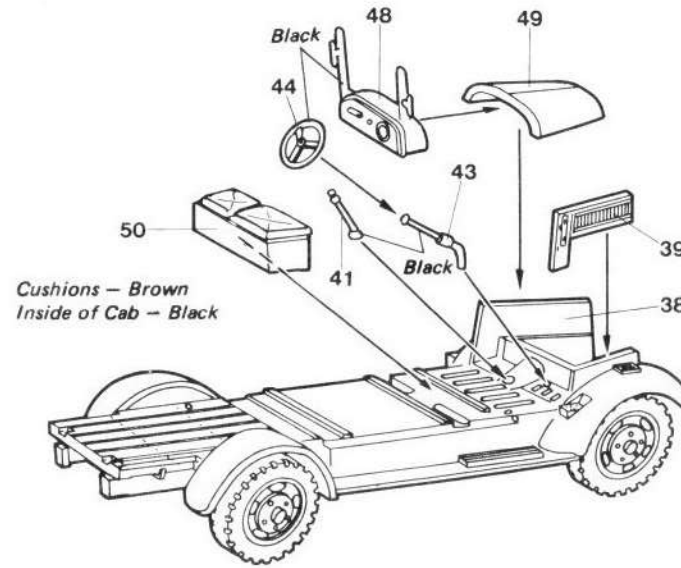
- 1** Cement two 7's to 45 as shown then cement two 6's to 40. Cement 45 to 40.



- 2** Cement two 2's to 28 then cement 28 to springs on chassis front. Cement two 3's to 29 then cement unit to chassis as shown.

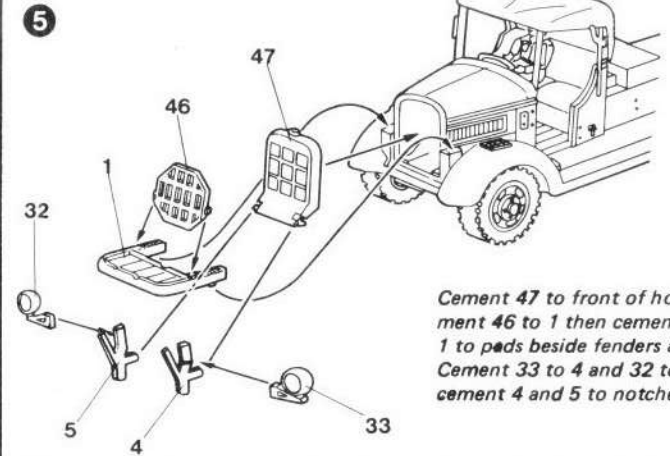
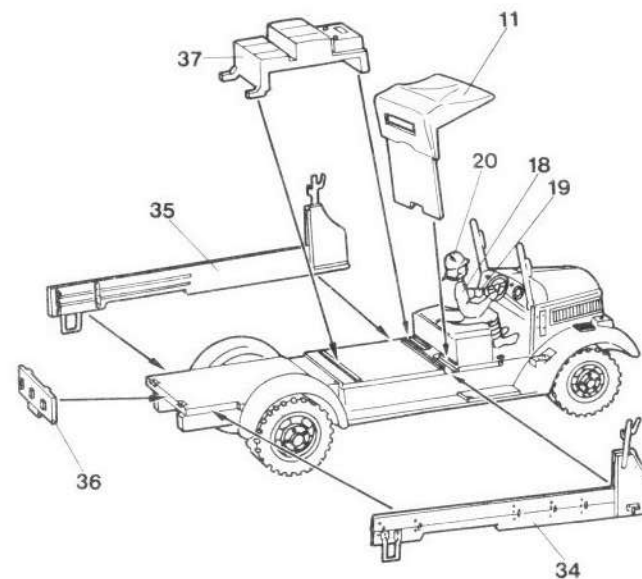


- 3** Cement 41 and 43 to floorboard as shown. Cement 38 and 39 to chassis front. Cement 48 to 49 then cement 49 to 38 and 39. Cement 44 to steering column 43. Cement 50 to floor.



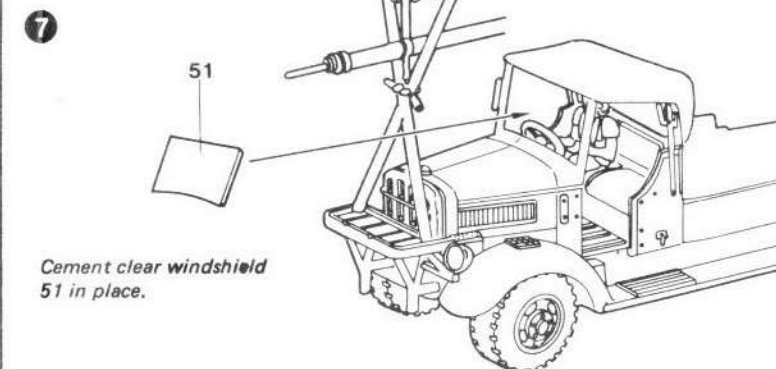
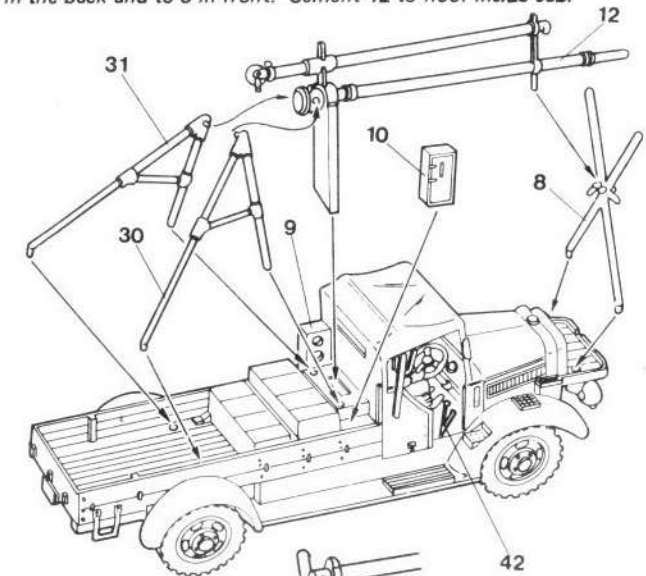
Cushions - Brown
Inside of Cab - Black

- 4** Cement 18 and 19 to 20 then cement figure to seat. Cement 11 to chassis and windshield frames. Cement 37 behind driver's seat as shown. Cement 34 and 35 to sides and cement 36 to rear of chassis.



Cement 47 to front of hood. Cement 46 to 1 then cement arms on 1 to pads beside fenders as shown. Cement 33 to 4 and 32 to 5 then cement 4 and 5 to notches on 47.

- 6** Cement 9 and 10 to body as shown. Cement 8 to frame in front of grille. Cement 30 and 31 to bed then cement 12 between 30 and 31 in the back and to 8 in front. Cement 42 to floor inside cab.



Cement clear windshield 51 in place.