

# Piper Tomahawk



## List of parts:

- |                                      |                                 |
|--------------------------------------|---------------------------------|
| 1. Clear cockpit canopy (2 pcs)      | 11. Control wheel (2 pcs)       |
| 1a. Spare Master for cockpit canopy  | 12. Pitot tube                  |
| 2. Fuselage with vertical stabiliser | 13. Antenna                     |
| 3. Horizontal stabiliser (2 pcs)     | 14. Propeller                   |
| 4. Instrument panel (2 pcs)          | 15. Nose landing gear and wheel |
| 5. Pilot seat (2 pcs)                | 16. Wing                        |
| 6. Roll-bar                          |                                 |
| 7. Antenna                           |                                 |
| 8. Main wheel (2 pcs)                |                                 |
| 9. Main landing gear leg (2 pcs)     |                                 |
| 10. Footstep (2 pcs)                 |                                 |

## General instructions:

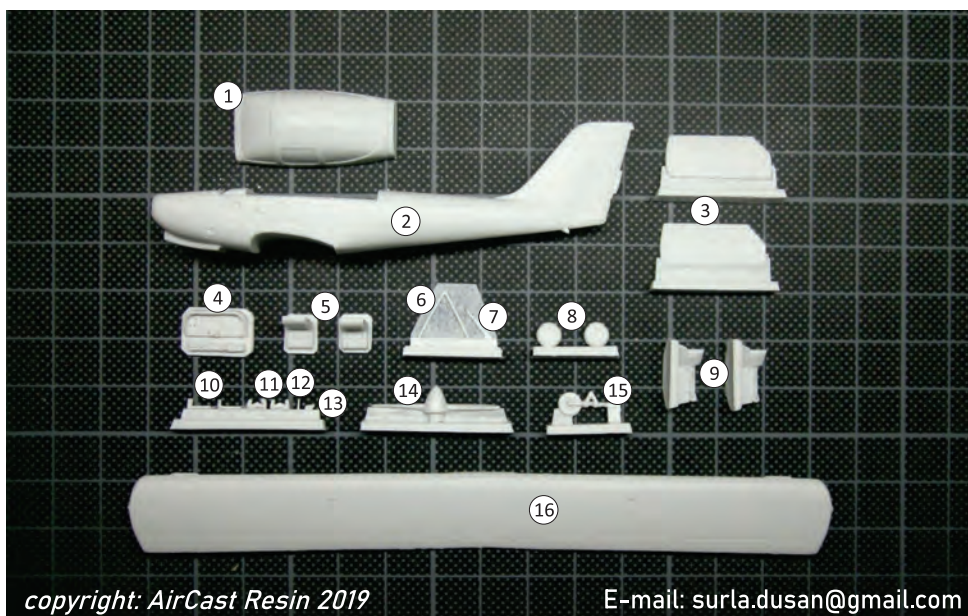
Resin parts should be cleaned of flash, thoroughly cleaned using solvent and washed in detergent.

For attaching resin parts use solely cyano-acrylate glue.

Transparent parts should be glued using epoxy, white or crystal clear glue.

## Notes:

- all gear legs are enforced with wire
- model is already nose-balanced, so there is no need to add weight to avoid tail-sitting.
- small parts (additional antennas, position lights) should be scratchbuilt.



copyright: AirCast Resin 2019

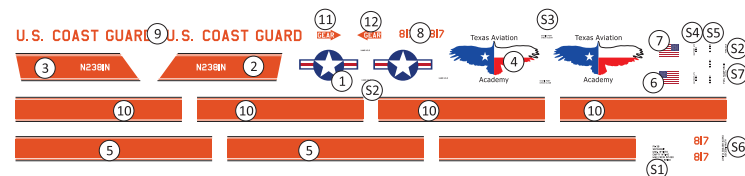
E-mail: [surla.dusan@gmail.com](mailto:surla.dusan@gmail.com)

## Decal placement and painting tips

1. Roundel (both sides)
2. Tail marking (left side)
3. Tail marking (right side)
4. Academy logo (both sides)
5. Fuselage band (both sides + spare)
6. USA flag (left side)
7. USA flag (right side)
8. Nose number (both sides)
9. USCG (both sides)
10. Wing band (both wings, top and bottom)
11. Gear warning sign (left side)
12. Gear warning sign (right side)
- 8+8a. Wing roundel (upper left and bottom right)
9. Wing USAF marking (bottom left and upper right)
10. Propeller logo (each blade, 2 spare)
11. NO STEP stencil (both sides, 2 spare)

## Notes:

- decals are home-made, so they require a bit of attention when cutting and applying.
- For painting and detailing please use references available on internet

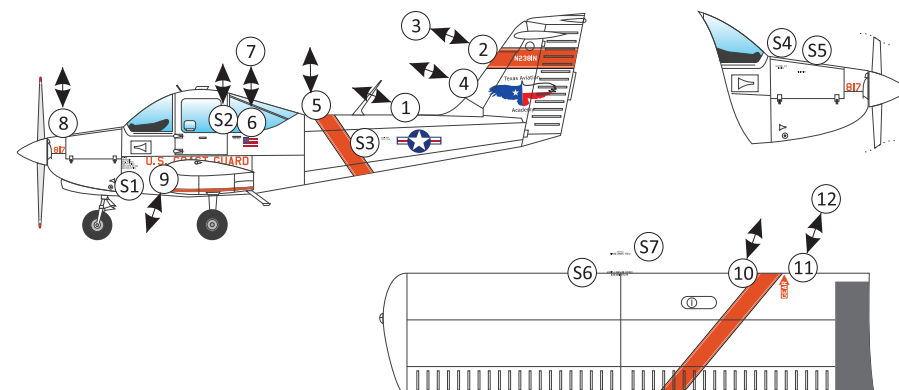
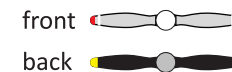


## Stencils placement

- S1. Aircraft stencil (left side)
- S2. HOLD HERE (both sides)
- S3. STATIC PORT (left side)
- S4. BATTERY (right side)
- S5. OIL (right side)
- S6. ALPHA INDEXER (left wing)
- S7. FUEL SUMP (right wing)

## propeller:

front alluminium, with red and white tips  
backside painted black, with yellow tips



\*drawings are not to scale



✉ [surla.dusan@gmail.com](mailto:surla.dusan@gmail.com)



<https://www.facebook.com/AirCastResin/>